



A DIVISION OF EDAC (AMERICA) LIMITED

3300 Int'l Airport Dr., Ste. 200, Charlotte, NC 28208 (704) 424-5448 Fax: (704) 424-5648 www.norcomp.net

(Product Change Notification)

Monday, May 01, 2017

PCN# 040117

To Whom It May Concern:

Please be advised NorComp has made a design change to item numbers 859-008-103R001 & 859-008-103R004. Our records show that you have purchased some of these products in the last 5 years. The updated drawing is below and also located on the NorComp web site at www.norcomp.net.

Change Description: Modified the sealing of the connector to enhance the Ingress Protection (IP) properties.

We appreciate your understanding as we strive to offer you the most current information regarding our product.

Please confirm receipt & acceptance of product change notification (by returning signed copy by fax or email) and contact us if you need any additional assistance.

Regards,
Pam Jenkins
Engineering/Q.A. Manager
Fax: 704-424-5648

Approved By: _____

Company: _____

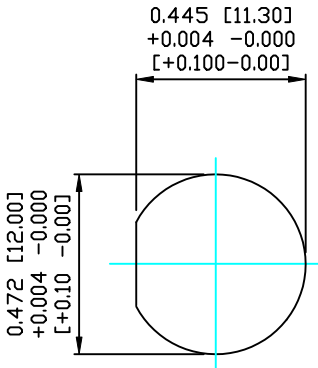
Title: _____

Date: _____

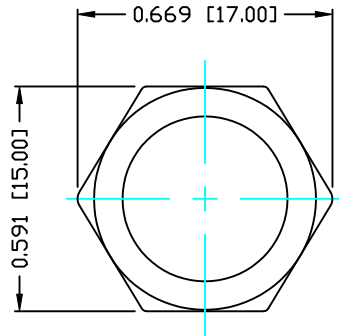
DESCRIPTION: M12 MALE - PANEL MOUNT (REAR) - SOLDER CUP - 8 POS.

NOTE:

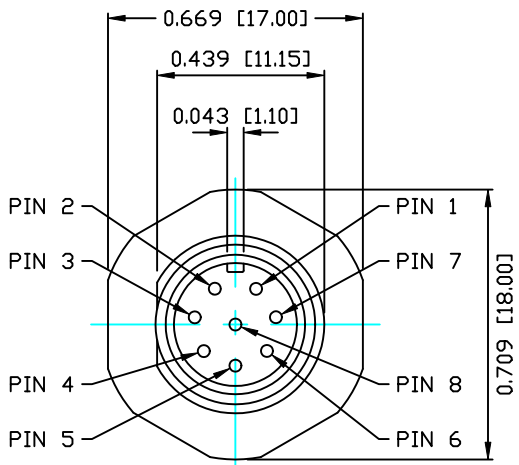
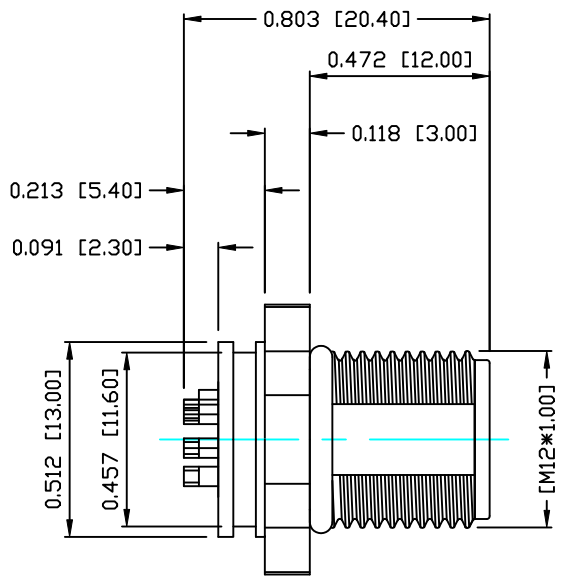
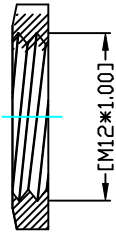
MATERIAL	
HOUSING:	PBT UL94V-0, BLACK
CONTACT:	BRASS
SHELL:	BRASS
NUT:	BRASS
O-RING:	EPDM, BLACK
O-RING (INTERNAL):	SILICONE, GREEN
FINISH	
CONTACT:	GOLD PLATED OVER 50µ" NICKEL
SHELL:	NICKEL PLATED OVER ALL
NUT:	NICKEL PLATED OVER ALL
ELECTRICAL:	
RATED CURRENT:	5A
RATED VOLTAGE:	125V
INSULATION RESISTANCE:	100 mOhms MIN.
CONTACT RESISTANCE:	10 MOhms MAX.
WATER PROOF:	IP67
ENVIRONMENT:	
OPERATION TEMPERATURE:	-40°C TO +85°C
WIRE GAUGE:	24-28 AWG



PANEL CUTOUT

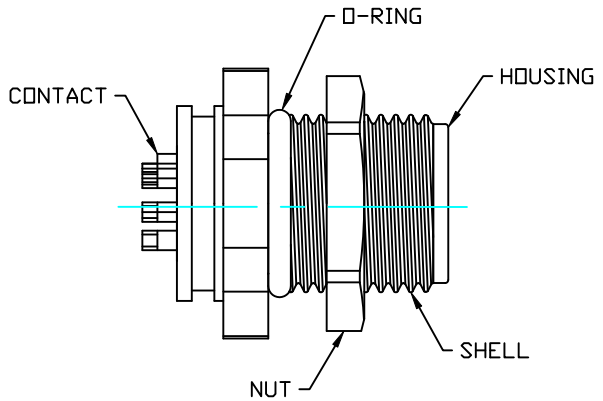


NUT



859-008-103R00Y

1 = GOLD FLASH
4 = 10µ" GOLD



RoHS COMPLIANT

DO NOT SCALE FROM DRAWING



THESE DRAWINGS AND SPECIFICATIONS ARE THE PROPERTY OF NorComp AND SHALL NOT BE REPRODUCED, COPIED OR USED AS THE BASIS FOR THE MANUFACTURE OR SALE OF APPARATUS WITHOUT WRITTEN PERMISSION.

DRAWN:	M. SIGMON	DATE:	03-07-16
CHECKED:		DATE:	

NorComp

SCALE:	N.T.S.	SHEET	1	OF	1	REV	2
DWG NO.	859-008-103R00Y						