

GlobTek, Inc. www.globtek.com 186 Veterans Drive, Northvale, NJ 07647 Tel. (201) 784-1000 Fax (201) 784-0111	Drawing Title: GTD83050-0505, DC/DC Switching Power Supply, Efficiency Level: , Case Color/Style: GlobTek Black, Vehicle/Car DC/DC Converter, DC-DC Non-Isolated, Input Rating: 12-24 Vdc, Male Cigarette Lighter Plug , Output Rating: 5W, 5.0V@1.0A, Output Configuration: N/A mm, N/A/4 Cond, N/A, Type "A" USB "JACK", integral to power supply enclosure, Ferrite: None, N/A, GT Cord # C0132, Pin Out: USB, Pin 1: (+), Pin 2: N/C, Pin 3: N/C, Pin 4: Com, Blades/Input Cord: (Order Separately), Approvals: CE; EAC; Ukraine; WEEE; RoHS; PSE; China RoHS; VCCI; ETL 62368;	
	Model No. GTD83050-0505	
	Part No./Ordering No. GTDJA1000USBFNOC(R6B)	Rev A

REVISION HISTORY

REV	DESCRIPTION	SUB	DATE	APPROVED
A	Initial release		06/11/2020	DAVID

In Addition to GlobTek Inc.'s renewed ISO9001:2015 - Quality Management System Certification, GlobTek Inc. is now certified to:

ISO13485:2016 - Medical Devices Quality Management System Certification

ISO14001:2015 - Environmental Management System Certification

ISO Certificates are available online at <https://www.globtek.com/iso-certificates/>

Customer Approval of Specification:

Please approve, sign and send back to GlobTek so we can complete order processing.

A delay in receipt of this form will delay delivery schedule.

Company Name:

Customer P/N:

Quote Number:

Date:

Authorized Representative Name:

Authorized Representative Signature:

The acceptance of this specification and use of the product described in this document indicates the acceptance and binding of the customer to Globtek terms and conditions, which supersede all other agreements, terms, and conditions (<https://en.globtek.com/terms-and-conditions/>).

The purchaser of this product (Customer) agrees that it is their sole responsibility to determine suitability/fitness of the product described in this specification for their application and to take precautions for protection against any hazards attendant to the handling and use of the product.

Footnote:

GlobTek Inc. will not be liable for the safety and performance of these power supplies if unauthorized access and repair occurs. End user should consult applicable UL, CSA or EN standards for proper installation instruction.

Limitation of Use:

GlobTek products are intended for use with commercial, medical, and/or industrial equipment only. GlobTek product are not authorized for use as mission critical components in life support hazardous environment, nuclear or aircraft applications without prior written approval from the CEO of GlobTek Inc.

Contents of this document are subject to change without prior notice.

GlobTek, Inc. www.globtek.com 186 Veterans Drive, Northvale, NJ 07647 Tel. (201) 784-1000 Fax (201) 784-0111	Drawing Title: GTD83050-0505, DC/DC Switching Power Supply, Efficiency Level: , Case Color/Style: GlobTek Black, Vehicle/Car DC/DC Converter, DC-DC Non-Isolated, Input Rating: 12-24 Vdc, Male Cigarette Lighter Plug , Output Rating: 5W, 5.0V@1.0A, Output Configuration: N/A mm, N/A/4 Cond, N/A, Type "A" USB "JACK", integral to power supply enclosure, Ferrite: None, N/A, GT Cord # C0132, Pin Out: USB, Pin 1: (+), Pin 2: N/C, Pin 3: N/C, Pin 4: Com, Blades/Input Cord: (Order Separately), Approvals: CE; EAC; Ukraine; WEEE; RoHS; PSE; China RoHS; VCCI; ETL 62368;	
	Model No. GTD83050-0505	
	Part No./Ordering No. GTDJA1000USBFNOC(R6B)	Rev A

POWER SUPPLY INFORMATION

TYPE:	Vehicle/Car DC/DC Converter
TECHNOLOGY:	DC-DC Non-Isolated
CASE COLOR:	GlobTek Black
NAMEPLATE RATED INPUT:	12-24 Vdc, 1A max
INPUT CONFIG:	Male Cigarette Lighter Plug
WATTS:	5.0
VOLTS OUT:	5.0
CURRENT OUT (Amps):	1.0
BLADE/CORD INCLUDED:	None (Order Separately)
BLADE/CORD INSTALLED:	None :(Order Separately)
INGRESS PROTECTION:	
GROUNDING CONFIGURATION:	(F1) Class II / Double Insulated
OUTPUT CONFIGURATION:	N/A mm, N/A/4 Cond, N/A, Type "A" USB "JACK", integral to power supply enclosure, Ferrite: None, N/A, GT Cord # C0132
CONNECTOR PIN OUT:	USB, Pin 1: (+), Pin 2: N/C, Pin 3: N/C, Pin 4: Com
LABEL SPECS:	Standard GT - See Deviations,L-1604
SPECIAL BARCODE LABEL MATERIAL:	No
PACK SPEC:	GTDJA1000USBFNOC(R6B) PACKING
USER MANUAL:	

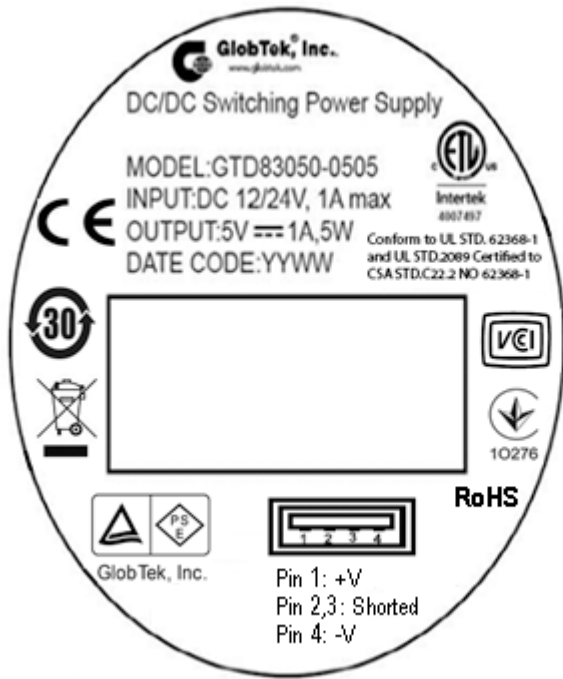
PROPRIETARY INFORMATION

PROPRIETARY OF GLOBTEK, INC. ANY REPRODUCTION, DISCLOSURE OR USE OF THIS DRAWING, IN WHOLE OR IN PART, IS HEREBY PROHIBITED EXCEPT AS SPECIFIED IN WRITING BY GLOBTEK, INC. © GlobTek, Inc. 2020 - 2021

GlobTek, Inc. www.globtek.com 186 Veterans Drive, Northvale, NJ 07647 Tel. (201) 784-1000 Fax (201) 784-0111	Drawing Title: GTD83050-0505, DC/DC Switching Power Supply, Efficiency Level: , Case Color/Style: GlobTek Black, Vehicle/Car DC/DC Converter, DC-DC Non-Isolated, Input Rating: 12-24 Vdc, Male Cigarette Lighter Plug , Output Rating: 5W, 5.0V@1.0A, Output Configuration: N/A mm, N/A/4 Cond, N/A, Type "A" USB "JACK", integral to power supply enclosure, Ferrite: None, N/A, GT Cord # C0132, Pin Out: USB, Pin 1: (+), Pin 2: N/C, Pin 3: N/C, Pin 4: Com, Blades/Input Cord: (Order Separately), Approvals: CE; EAC; Ukraine; WEEE; RoHS; PSE; China RoHS; VCCI; ETL 62368;
	Model No. GTD83050-0505 Part No./Ordering No. GTDJA1000USBFNOC(R6B)

Notes/Modifications/Customizations (notes in this section supersede the values shown in the standard spec):
 DIMENSIONS ARE IN MM UNLESS SPECIFIED OTHERWISE.

Label on the unit:



GlobTek, Inc. www.globtek.com 186 Veterans Drive, Northvale, NJ 07647 Tel. (201) 784-1000 Fax (201) 784-0111	Drawing Title: GTD83050-0505, DC/DC Switching Power Supply, Efficiency Level: , Case Color/Style: GlobTek Black, Vehicle/Car DC/DC Converter, DC-DC Non-Isolated, Input Rating: 12-24 Vdc, Male Cigarette Lighter Plug , Output Rating: 5W, 5.0V@1.0A, Output Configuration: N/A mm, N/A/4 Cond, N/A, Type "A" USB "JACK", integral to power supply enclosure, Ferrite: None, N/A, GT Cord # C0132, Pin Out: USB, Pin 1: (+), Pin 2: N/C, Pin 3: N/C, Pin 4: Com, Blades/Input Cord: (Order Separately), Approvals: CE; EAC; Ukraine; WEEE; RoHS; PSE; China RoHS; VCCI; ETL 62368;	
	Model No. GTD83050-0505	
	Part No./Ordering No. GTDJA1000USBFNOC(R6B)	Rev A

ELECTRICAL SPECIFICATIONS

INPUT VOLTAGE: 10-30VDC INPUT CURRENT: 1.0 A MAX OUTPUT VOLTAGE: + 5 V DC
OUTPUT CURRENT: 1 A, NO LOAD TO FULL LOAD, NO MINIMUM LOAD REQUIRED OUTPUT POWER (RATED): 5 WATTS MAX
OUTPUT RIPPLE (PEAK TO PEAK): 1% TYPICAL
OUTPUT REGULATION (LINE/LOAD): + 5 % FOR MAIN OUTPUT, MEASURED AT O/P CONNECTOR LINE REGULATION: + 0.5 % MAX AT FULL LOAD
TURN ON/ TURN OFF OVERSHOOT: 4% MAX 500uS MAX RECOVERY TIME FOR 25% STEP LOAD TURN-ON DELAY: 1 SEC MAX
EFFICIENCY: 70 % TYPICAL
SWITCHING FREQUENCY: 100 KHZ TYPICAL
OVER-VOLTAGE PROTECTION: AUTORECOVERY OVER-CURRENT / SHORT CIRCUIT: CURRENT LIMIT OTHER PROTECTION: INPUT FUSING
MTBF: 200,000 HOURS AT 25°C AMBIENT TEMPERATURE OPERATING TEMPERATURE: 0°C TO 40° C
STORAGE TEMPERATURE: -20°C TO 85° C HUMIDITY: 0% TO 90% RELATIVE HUMIDITY WEIGHT: 209 g
ROHS 2: COMPLIES WITH EU 2011/65/EU AND CHINA SJ/T 11363-2006

SAFETY APPROVALS (DESIGNED TO MEET): UL62368-1, UL60950-1, CUL 22.2# 60950-1, TUV EN60950-1

EMC, EMISSIONS: COMPLIES WITH RADIATED EMISSIONS REQUIREMENTS FROM CISPR22/EN55022 CLASS B AND FCC PART 15 CLASS B, WHEN TESTED WITH A RESISTIVE LOAD

EMC, IMMUNITY: COMPLIES WITH APPLICABLE REQUIREMENTS FROM EN50498, EN61000-4-2, EN61000-4-3 and EN61000-4-8

TO ADDRESS SYSTEM-LEVEL EMI CONCERNS, FERRITE CHOKES/BEADS MAY BE ADDED/REVISED UPON REQUEST. A SAMPLE KIT OF GLOBTEK'S STANDARD FERRITES IS AVAILABLE UNDER GLOBTEK P/N: EMI-MITIGATION-KIT1

FOR ADDITIONAL INFORMATION, PLEASE READ OUR WHITE PAPER AT:
<https://en.globtek.com/technical-articles/ferrite-kit-radiated-emi-suppression-kit-for-globtek-power-supplies-cable-assemblies>

PROPRIETARY INFORMATION

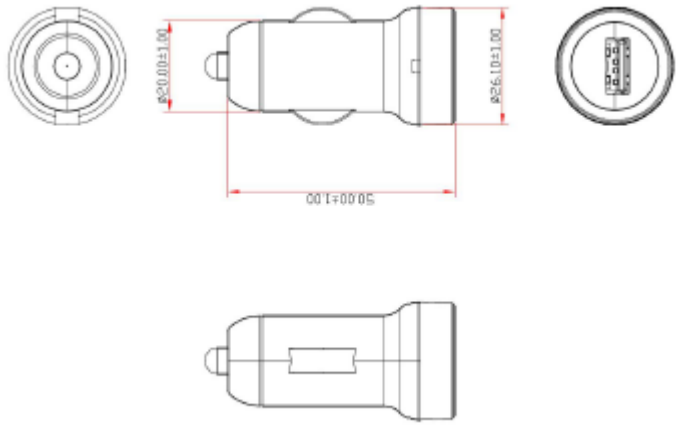
GlobTek, Inc.
 www.globtek.com
 186 Veterans Drive,
 Northvale, NJ 07647
 Tel. (201) 784-1000
 Fax (201) 784-0111

Drawing Title: GTD83050-0505, DC/DC Switching Power Supply, Efficiency Level: , Case Color/Style: GlobTek Black, Vehicle/Car DC/DC Converter, DC-DC Non-Isolated, Input Rating: 12-24 Vdc, Male Cigarette Lighter Plug , Output Rating: 5W, 5.0V@1.0A, Output Configuration: N/A mm, N/A/4 Cond, N/A, Type "A" USB "JACK", integral to power supply enclosure, Ferrite: None, N/A, GT Cord # C0132, Pin Out: USB, Pin 1: (+), Pin 2: N/C, Pin 3: N/C, Pin 4: Com, Blades/Input Cord: (Order Separately), Approvals: CE; EAC; Ukraine; WEEE; RoHS; PSE; China RoHS; VCCI; ETL 62368;

Model No. GTD83050-0505

Part No./Ordering No. GTDJA1000USBFNOC(R6B)

Rev A



PROPRIETARY INFORMATION

PROPRIETARY OF GLOBTEK, INC. ANY REPRODUCTION, DISCLOSURE OR USE OF THIS DRAWING, IN WHOLE OR IN PART, IS HEREBY PROHIBITED EXCEPT AS SPECIFIED IN WRITING BY GLOBTEK, INC. © GlobTek, Inc. 2020 - 2021

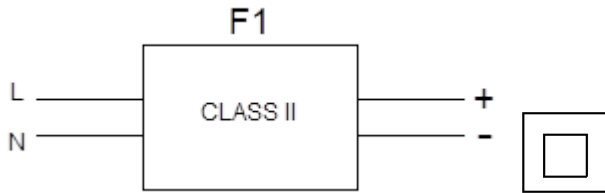
GlobTek, Inc. www.globtek.com 186 Veterans Drive, Northvale, NJ 07647 Tel. (201) 784-1000 Fax (201) 784-0111	Drawing Title: GTD83050-0505, DC/DC Switching Power Supply, Efficiency Level: , Case Color/Style: GlobTek Black, Vehicle/Car DC/DC Converter, DC-DC Non-Isolated, Input Rating: 12-24 Vdc, Male Cigarette Lighter Plug , Output Rating: 5W, 5.0V@1.0A, Output Configuration: N/A mm, N/A/4 Cond, N/A, Type "A" USB "JACK", integral to power supply enclosure, Ferrite: None, N/A, GT Cord # C0132, Pin Out: USB, Pin 1: (+), Pin 2: N/C, Pin 3: N/C, Pin 4: Com, Blades/Input Cord: (Order Separately), Approvals: CE; EAC; Ukraine; WEEE; RoHS; PSE; China RoHS; VCCI; ETL 62368;	
	Model No. GTD83050-0505	
	Part No./Ordering No. GTDJA1000USBFNOC(R6B)	Rev A



GlobTek, Inc. www.globtek.com 186 Veterans Drive, Northvale, NJ 07647 Tel. (201) 784-1000 Fax (201) 784-0111	Drawing Title: GTD83050-0505, DC/DC Switching Power Supply, Efficiency Level: , Case Color/Style: GlobTek Black, Vehicle/Car DC/DC Converter, DC-DC Non-Isolated, Input Rating: 12-24 Vdc, Male Cigarette Lighter Plug , Output Rating: 5W, 5.0V@1.0A, Output Configuration: N/A mm, N/A/4 Cond, N/A, Type "A" USB "JACK", integral to power supply enclosure, Ferrite: None, N/A, GT Cord # C0132, Pin Out: USB, Pin 1: (+), Pin 2: N/C, Pin 3: N/C, Pin 4: Com, Blades/Input Cord: (Order Separately), Approvals: CE; EAC; Ukraine; WEEE; RoHS; PSE; China RoHS; VCCI; ETL 62368;	
	Model No. GTD83050-0505	
	Part No./Ordering No. GTDJA1000USBFNOC(R6B)	Rev A

INPUT CONFIGURATION

(F1) Class II / Double Insulated



[Alternate grounding configurations](#) available upon request.

Blades/Cord Included:None:(Order Separately)

Blades/Cord Installed:None:(Order Separately)

Male Cigarette Lighter Plug

GlobTek, Inc. www.globtek.com 186 Veterans Drive, Northvale, NJ 07647 Tel. (201) 784-1000 Fax (201) 784-0111	Drawing Title: GTD83050-0505, DC/DC Switching Power Supply, Efficiency Level: , Case Color/Style: GlobTek Black, Vehicle/Car DC/DC Converter, DC-DC Non-Isolated, Input Rating: 12-24 Vdc, Male Cigarette Lighter Plug , Output Rating: 5W, 5.0V@1.0A, Output Configuration: N/A mm, N/A/4 Cond, N/A, Type "A" USB "JACK", integral to power supply enclosure, Ferrite: None, N/A, GT Cord # C0132, Pin Out: USB, Pin 1: (+), Pin 2: N/C, Pin 3: N/C, Pin 4: Com, Blades/Input Cord: (Order Separately), Approvals: CE; EAC; Ukraine; WEEE; RoHS; PSE; China RoHS; VCCI; ETL 62368;	
	Model No. GTD83050-0505	
	Part No./Ordering No. GTDJA1000USBFNOC(R6B)	Rev A

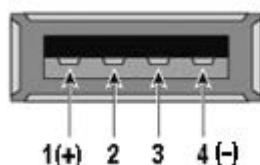
OUTPUT CORD AND CONNECTOR: USBMT/C0132

ACTUAL CONNECTORS, OVERMOLDS, FERRITES MAY VARY SLIGHTLY FROM THE PICTURE BELOW

CABLE TYPE	N/A
CABLE LENGTH (mm)	N/A
CABLE TOLERANCE (mm)	N/A
WIRE GAUGE (AWG)	N/A
CONDUCTORS	4
HANK DIMENSION (mm)	N/A
CABLE / CONNECTOR OVERMOLD COLOR	N/A
FERRITE TYPE / DIMENSION	None
FERRITE # OF TURNS (Definition)	N/A
FERRITE DIMENSION FROM STRAIN RELIEF	N/A
FERRITE DIMENSION FROM PLUG	N/A
PLUG TYPE	Type "A" USB "JACK", integral to power supply enclosure
OUTPUT CONNECTOR GENDER	
OVERMOLDED	
OVER MOLD ORIENTATION	PCB Mount Connector
CONNECTOR PIN OUT:	USB, Pin 1: (+), Pin 2: N/C, Pin 3: N/C, Pin 4: Com

ADDITIONAL REQUIREMENTS

Front View



ADDITIONAL OUTPUT PLUG OPTIONS ARE AVAILABLE AT <https://www.globtek.com/connectors/>

STANDARD PLUGS AND CONNECTORS CAN BE SEEN ONLINE AT <https://www.globtek.com/connectors/>

CALCULATE VOLTAGE REGULATION/DROP WITH OUR ONLINE CALCULATOR: <https://en.globtek.com/output-cable-regulation-calculator/>

GlobTek, Inc. www.globtek.com 186 Veterans Drive, Northvale, NJ 07647 Tel. (201) 784-1000 Fax (201) 784-0111	Drawing Title: GTD83050-0505, DC/DC Switching Power Supply, Efficiency Level: , Case Color/Style: GlobTek Black, Vehicle/Car DC/DC Converter, DC-DC Non-Isolated, Input Rating: 12-24 Vdc, Male Cigarette Lighter Plug , Output Rating: 5W, 5.0V@1.0A, Output Configuration: N/A mm, N/A/4 Cond, N/A, Type "A" USB "JACK", integral to power supply enclosure, Ferrite: None, N/A, GT Cord # C0132, Pin Out: USB, Pin 1: (+), Pin 2: N/C, Pin 3: N/C, Pin 4: Com, Blades/Input Cord: (Order Separately), Approvals: CE; EAC; Ukraine; WEEE; RoHS; PSE; China RoHS; VCCI; ETL 62368;	
	Model No. GTD83050-0505	
	Part No./Ordering No. GTDJA1000USBFNOC(R6B)	Rev A

OUTPUT CONNECTOR HOOK UP

TO ADDRESS SYSTEM-LEVEL EMI CONCERNS, FERRITE CHOKES/BEADS MAY BE ADDED/REVISED UPON REQUEST. A SAMPLE KIT OF GLOBTEK'S STANDARD FERRITES IS AVAILABLE UNDER GLOBTEK P/N: EMI-MITIGATION-KIT1

FOR ADDITIONAL INFORMATION, PLEASE READ OUR WHITE PAPER AT:

<https://en.globtek.com/technical-articles/ferrite-kit-radiated-emi-suppression-kit-for-globtek-power-supplies-cable-assemblies>

GlobTek, Inc. www.globtek.com 186 Veterans Drive, Northvale, NJ 07647 Tel. (201) 784-1000 Fax (201) 784-0111	Drawing Title: GTD83050-0505, DC/DC Switching Power Supply, Efficiency Level: , Case Color/Style: GlobTek Black, Vehicle/Car DC/DC Converter, DC-DC Non-Isolated, Input Rating: 12-24 Vdc, Male Cigarette Lighter Plug , Output Rating: 5W, 5.0V@1.0A, Output Configuration: N/A mm, N/A/4 Cond, N/A, Type "A" USB "JACK", integral to power supply enclosure, Ferrite: None, N/A, GT Cord # C0132, Pin Out: USB, Pin 1: (+), Pin 2: N/C, Pin 3: N/C, Pin 4: Com, Blades/Input Cord: (Order Separately), Approvals: CE; EAC; Ukraine; WEEE; RoHS; PSE; China RoHS; VCCI; ETL 62368;	
	Model No. GTD83050-0505	Rev A
Part No./Ordering No. GTDJA1000USBFNOC(R6B)		

LABEL:L-1604

LABEL P/N:	Standard GT - See Deviations
MATERIAL:	Flat Thermal Transfer, Imprintable, Polyester Label and/or Pad Printed and/or Molded, and/or Laser Engraved in the case
BACKGROUND COLOR:	Black if housing is Black, White or Silver if housing is White or Gray.
TEXT COLOR:	White or Silver if label is Black Background for Black housing. Black if label is White or Silver background and Housing is White or Gray.
LABEL WIDTH (mm):	36
LABEL HEIGHT (mm):	85
SPECIAL BARCODE LABEL MATERIAL:	No

Below is the minimum information which will appear on the label. NOTE: in the logo area additional/actual positioning of symbols and text is subjected to change as per agency updates/requirements or additional model approvals become available. Regulatory certifications/label markings may be in logo area on the label or molded into the case housing outside the label area. Information will be shown via label and/or pad printed and/or molded and/or laser engraved in the case. * Date code markings at GlobTek option.



Please refer to the deviations section of the product specifications for additional details regarding the label.



or

DATE CODE B *:

WWYY
WW = WEEK
YY = YEAR

- A=DC/DC Switching Power Supply
- B=P/N: (料号) GTDJA1000USBFNOC(R6B)
- C=Model (型号) GTD83050-0505
- D=Input (输入)12-24 Vdc, 1A max
- E=Output (输出)5.0 V 1.0 A, 5.0W

GloTek, Inc. www.globtek.com 186 Veterans Drive, Northvale, NJ 07647 Tel. (201) 784-1000 Fax (201) 784-0111	Drawing Title: GTD83050-0505, DC/DC Switching Power Supply, Efficiency Level: , Case Color/Style: GlobTek Black, Vehicle/Car DC/DC Converter, DC-DC Non-Isolated, Input Rating: 12-24 Vdc, Male Cigarette Lighter Plug , Output Rating: 5W, 5.0V@1.0A, Output Configuration: N/A mm, N/A/4 Cond, N/A, Type "A" USB "JACK", integral to power supply enclosure, Ferrite: None, N/A, GT Cord # C0132, Pin Out: USB, Pin 1: (+), Pin 2: N/C, Pin 3: N/C, Pin 4: Com, Blades/Input Cord: (Order Separately), Approvals: CE; EAC; Ukraine; WEEE; RoHS; PSE; China RoHS; VCCI; ETL 62368;	
	Model No. GTD83050-0505	
	Part No./Ordering No. GTDJA1000USBFNOC(R6B)	Rev A

AGENCY ONLINE DOCUMENTS	http://www.globtek.info/certs/GTD83050/
CE EC-Declaration for Medical	Contact GlobTek for more information
CE EC-Declaration for Industrial/Commercial/ITE	http://globtek.force.com/models/ec_declaration_product?id=01t3a000004vDkm&i=4
CE EC-Declaration for Household	Contact GlobTek for more information
UKCA-Declaration for Medical	Contact GlobTek for more information
UKCA-Declaration for Industrial/Commercial/ITE	http://globtek.force.com/models/ukca_declaration_product?id=01t3a000004vDkm&i=4
UKCA-Declaration for Household	Contact GlobTek for more information
Morocco SDoC Declaration	https://globtek.secure.force.com/models/Morocco_SDoC_Declaration?id=a000c00000QCcb1EAD
RoHS/RoHS3 Declaration	https://www.globtek.com/pdf/rohs_cert/01t3a000004vDkmAAE
REACH Declaration	https://www.globtek.com/pdf/iso_certificates/REACH.pdf
Conflict Minerals Declaration	https://www.globtek.com/pdf/conflict-minerals.pdf
Prop 65 Statement	https://en.globtek.com/prop-65-statement.pdf

IPXY rating is based on 3rd party testing and customers should check suitability and test system level IPXY rating before ordering.

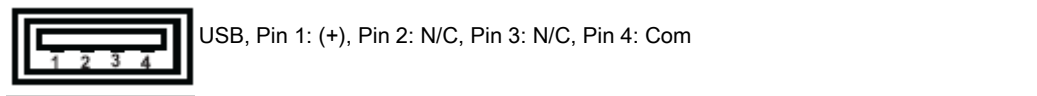
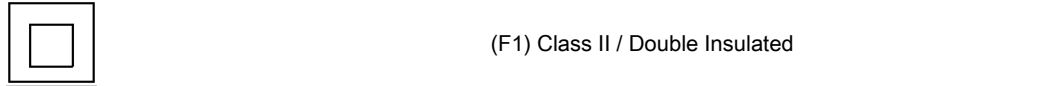
Regulatory Certifications/Label Markings

Below follows a link to the latest regulatory certifications and marks for this specific product. National standards as well as certification schemes are constantly changing and so is the set of certification marks and symbols applicable to this product. Various standards, marks and symbols, and certificates are subject to change at any time without notice.

Additional standards or unique country certifications are available upon request. Please contact Globtek to request a quotation.

LATEST PRODUCT/MODEL CERTIFICATIONS: <https://en.globtek.com/datasheet/id/a000c00000QCcb1>

AGENCY ONLINE DOCUMENTS: <http://www.globtek.info/certs/GTD83050/>

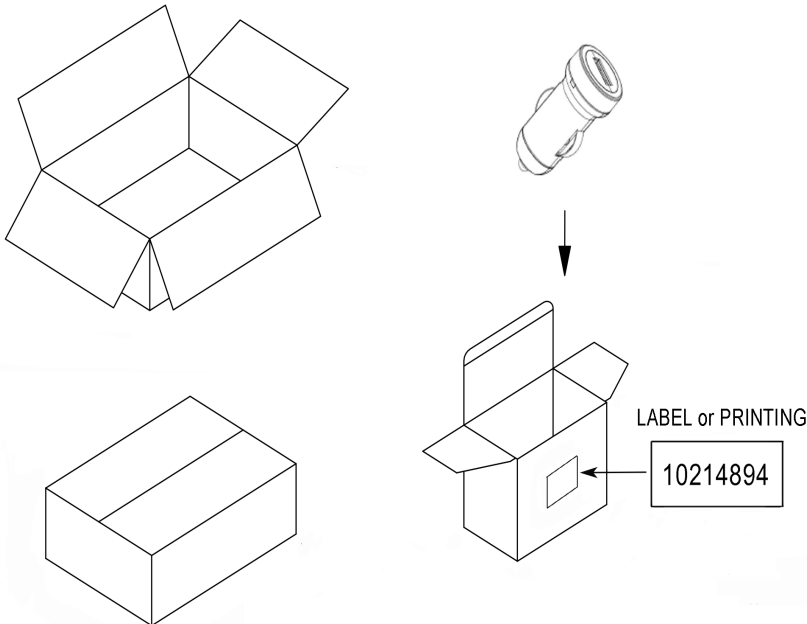


GlobTek, Inc. www.globtek.com 186 Veterans Drive, Northvale, NJ 07647 Tel. (201) 784-1000 Fax (201) 784-0111	Drawing Title: GTD83050-0505, DC/DC Switching Power Supply, Efficiency Level: , Case Color/Style: GlobTek Black, Vehicle/Car DC/DC Converter, DC-DC Non-Isolated, Input Rating: 12-24 Vdc, Male Cigarette Lighter Plug , Output Rating: 5W, 5.0V@1.0A, Output Configuration: N/A mm, N/A/4 Cond, N/A, Type "A" USB "JACK", integral to power supply enclosure, Ferrite: None, N/A, GT Cord # C0132, Pin Out: USB, Pin 1: (+), Pin 2: N/C, Pin 3: N/C, Pin 4: Com, Blades/Input Cord: (Order Separately), Approvals: CE; EAC; Ukraine; WEEE; RoHS; PSE; China RoHS; VCCI; ETL 62368;	
	Model No. GTD83050-0505	Part No./Ordering No. GTDJA1000USBFNOC(R6B)
		Rev A

PACKAGING

Packing Spec P/N:	GTDJA1000USBFNOC(R6B) PACKING
Box Qty:	120
Gift Box Size (mm):	90*62*48
Gift Box Color:	White
Master Carton Size (mm):	470 x 310 x 284
Master Carton Cubic Volume (m³):	0.04
Master GW (Kg):	kg
BLADES INCLUDED:	None: (Order Separately)
BLADE/CORD INSTALLED:	None: (Order Separately)
USER MANUAL*:	
USER MANUAL WEB LINK:	

* This specification sheet is considered the user manual for all applications. It is expected that the buyer of this product will use it to formulate their own user manual for their end product and a user manual specifically for the power adapter is not usually required. If a user manual is not specifically listed above then none will be provided with this unit.



PROPRIETARY INFORMATION

GlobTek, Inc. www.globtek.com 186 Veterans Drive, Northvale, NJ 07647 Tel. (201) 784-1000 Fax (201) 784-0111	Drawing Title: GTD83050-0505, DC/DC Switching Power Supply, Efficiency Level: , Case Color/Style: GlobTek Black, Vehicle/Car DC/DC Converter, DC-DC Non-Isolated, Input Rating: 12-24 Vdc, Male Cigarette Lighter Plug , Output Rating: 5W, 5.0V@1.0A, Output Configuration: N/A mm, N/A/4 Cond, N/A, Type "A" USB "JACK", integral to power supply enclosure, Ferrite: None, N/A, GT Cord # C0132, Pin Out: USB, Pin 1: (+), Pin 2: N/C, Pin 3: N/C, Pin 4: Com, Blades/Input Cord: (Order Separately), Approvals: CE; EAC; Ukraine; WEEE; RoHS; PSE; China RoHS; VCCI; ETL 62368;	
	Model No. GTD83050-0505	
	Part No./Ordering No. GTDJA1000USBFNOC(R6B)	Rev A

INSTRUCTIONS TO THE OEM SYSTEMS ENGINEER

It is the responsibility of the OEM systems engineer to provide the end system user instructions and warnings for the use of this product in the end system.

If an input cord is required for this product, AC Mains voltage should be provided to the power supply by a power supply cord approved to the national standards of the country in which it will be used.

This power supply is not designed to be repaired. No serviceable parts inside. A blown internal fuse is an indication of catastrophic failure of circuit component(s). If a Failure Analysis is required for a failed power supply/battery charger, please return the damaged unit to GlobTek for an accurate determination of the root cause of the failure.

EMC Compliance of the complete OEM product, including the GlobTek power supply/battery charger needs to be verified by the OEM systems engineer.

INSTRUCTION SHEET

N/A