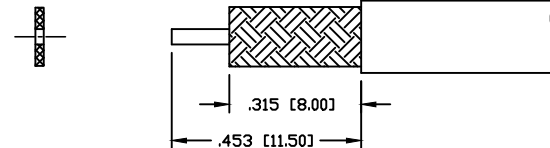
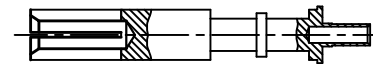
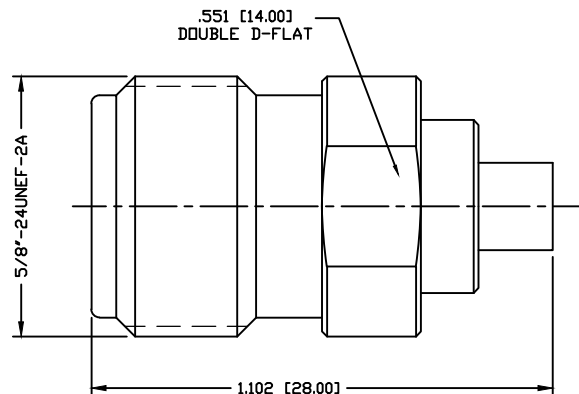


PART NO.

RFN-1027-SR2

| REV | DESCRIPTION | DWN | DATE | APPROVED |
|-----|---------------------|-----|----------|----------|
| - | ENGINEERING RELEASE | CZS | 03/12/15 | JDMc |

**SPECIFICATIONS:**

IMPEDANCE: 50 Ohms
 FREQUENCY RANGE: 0-6 GHz
 VSWR: <1.1.5:1 THRU 3GHz
 PIM: <-155 dBc
 DIELECTRIC WITHSTANDING VOLTAGE: 750V/AC
 INSULATION RESISTANCE: 5000M Ohms
 TEMPERATURE RANGE: -40°C TO 155°C
 MECHANICAL DURABILITY: 500 CYCLES
 FOR .141 SEMI RIGID, RG-402/U & BELDEN 1673A CABLE

CUSTOMER
OUTLINE DRAWINGALL DIMENSIONS
ARE REFERENCE ONLYUNLESS OTHERWISE SPECIFIED:
DIMENSIONS ARE IN INCHES
AND [MILLIMETERS]

| | | |
|-----------|-----------|----------|
| DRAWN | C. ZUNIGA | 03/12/15 |
| CHECKED | | |
| ORJ DRAWN | C. ZUNIGA | 03/12/15 |

PROPRIETARY AND CONFIDENTIAL
 THIS DRAWING CONTAINS
 INFORMATION PROPRIETARY TO
 RF INDUSTRIES. ANY
 UNAUTHORIZED USE OF THIS
 DRAWING IS EXPRESSLY
 PROHIBITED WITHOUT WRITTEN
 PERMISSION FROM RF
 INDUSTRIES. ANY VIOLATION IS
 PUNISHABLE UNDER U.S.
 COPYRIGHT LAWS.

RFconnectors
 DIVISION OF RF INDUSTRIES, LTD.

7610 MIRAMAR RD.
 SAN DIEGO, CA 92126
 (858) 549-6340
 (858) 549-6345 FAX

N FEMALE

DIRECT SOLDER

| SIZE | CABLE GROUP | DWG NO. | REV |
|--------|-----------------|---------------------|-----|
| A | SR2 | RFN-1027-SR2 | — |
| SCALE: | ENGINEERING ID: | SHEET 1 OF 1 | |
| NTS | 000000 | | |

| # | DESCRIPTION | QTY | MATERIAL | FINISH |
|---|-------------|-----|----------|--------------|
| 4 | SPACER | 1 | PE | --- |
| 3 | CONTACT | 1 | BeCu | SILVER |
| 2 | INSULATOR | 1 | PTFE | --- |
| 1 | BODY | 1 | BRASS | WHITE BRONZE |