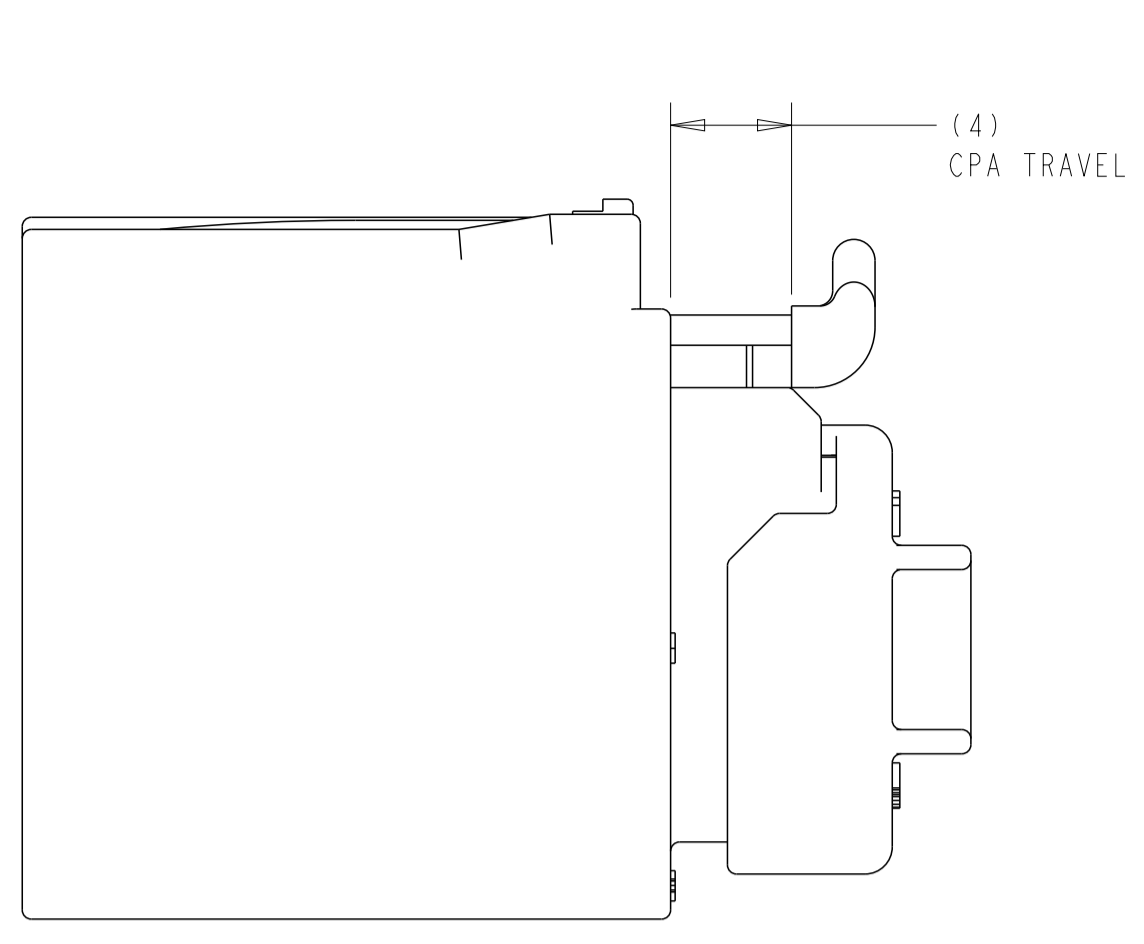
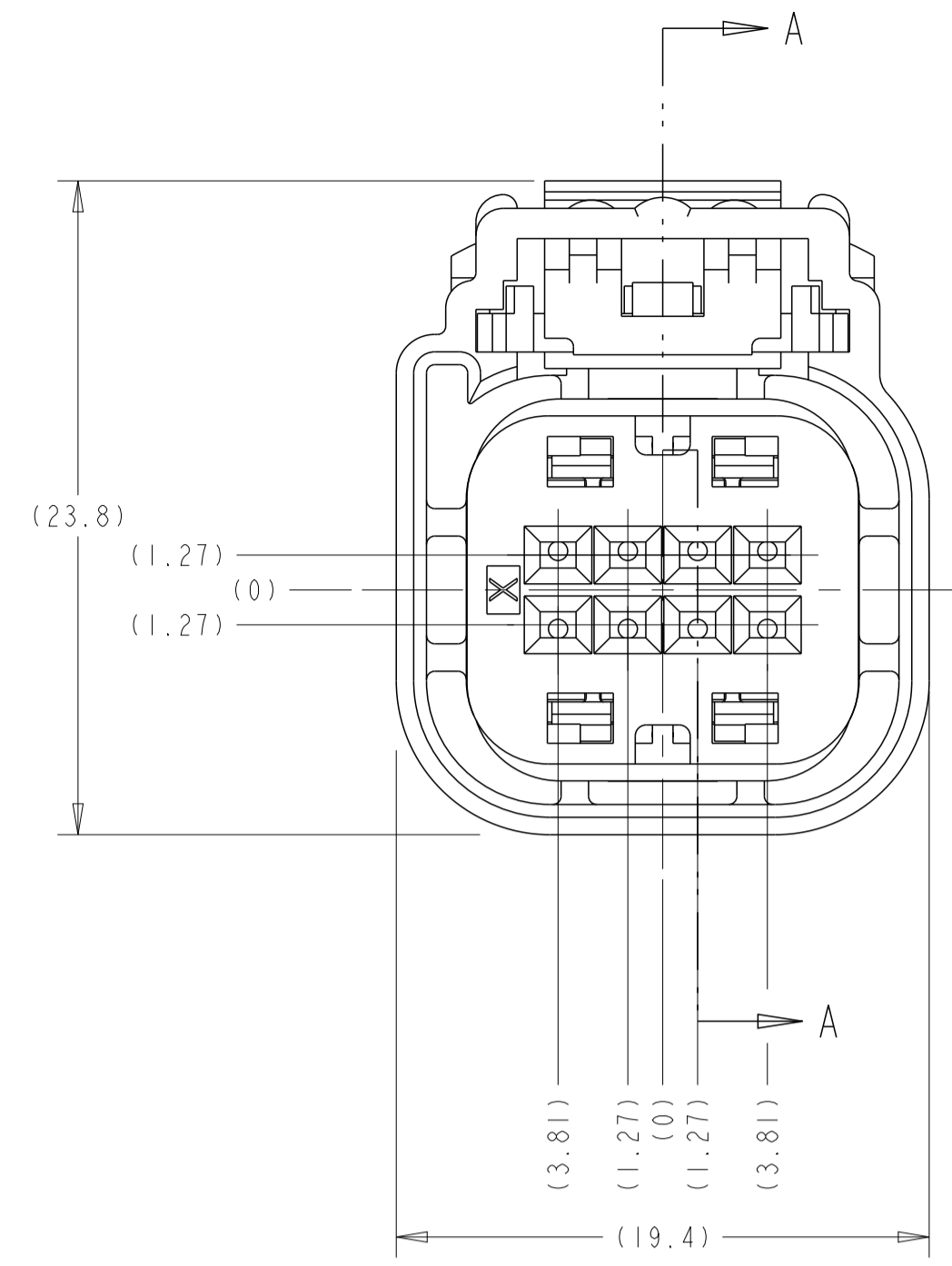
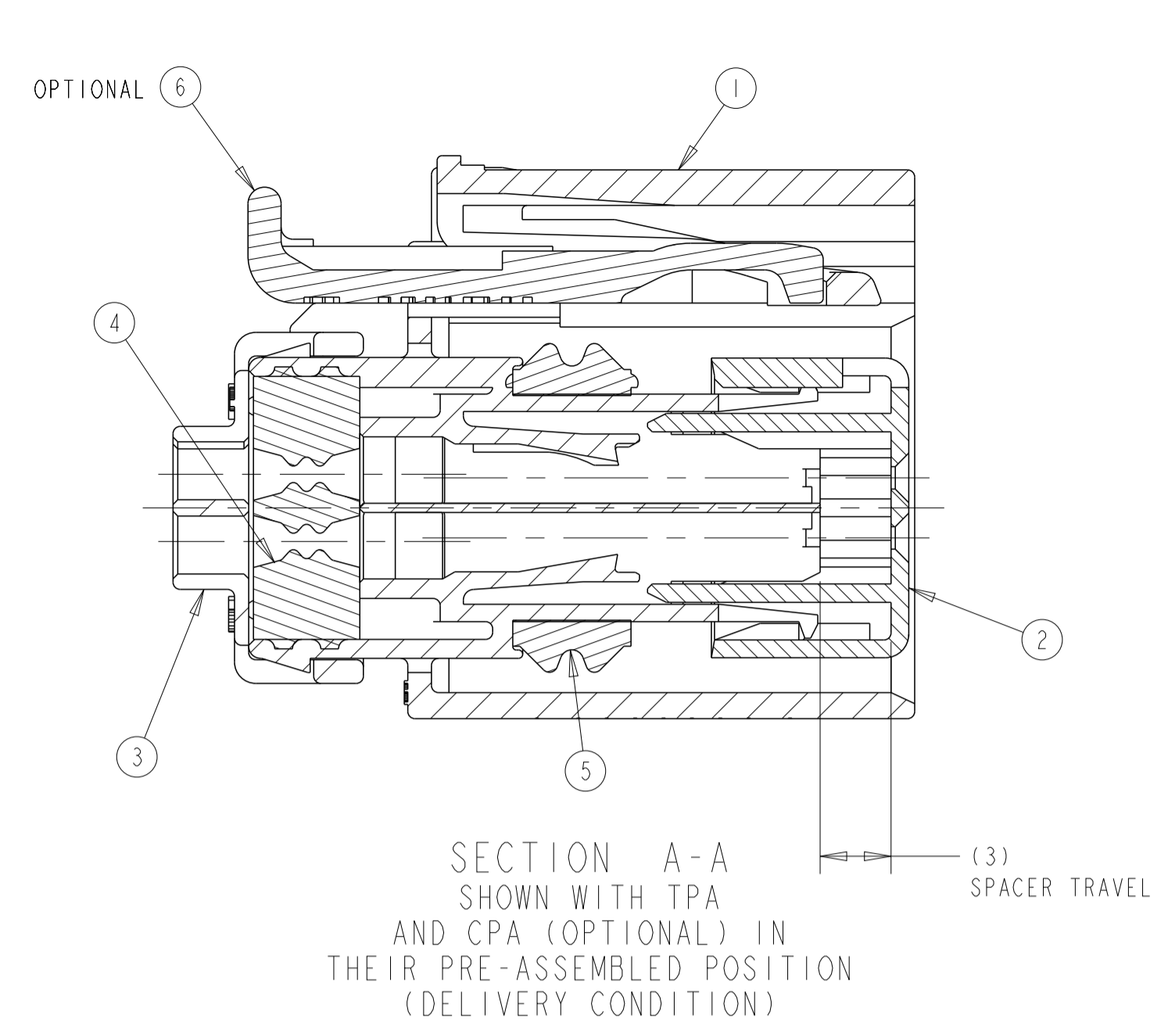
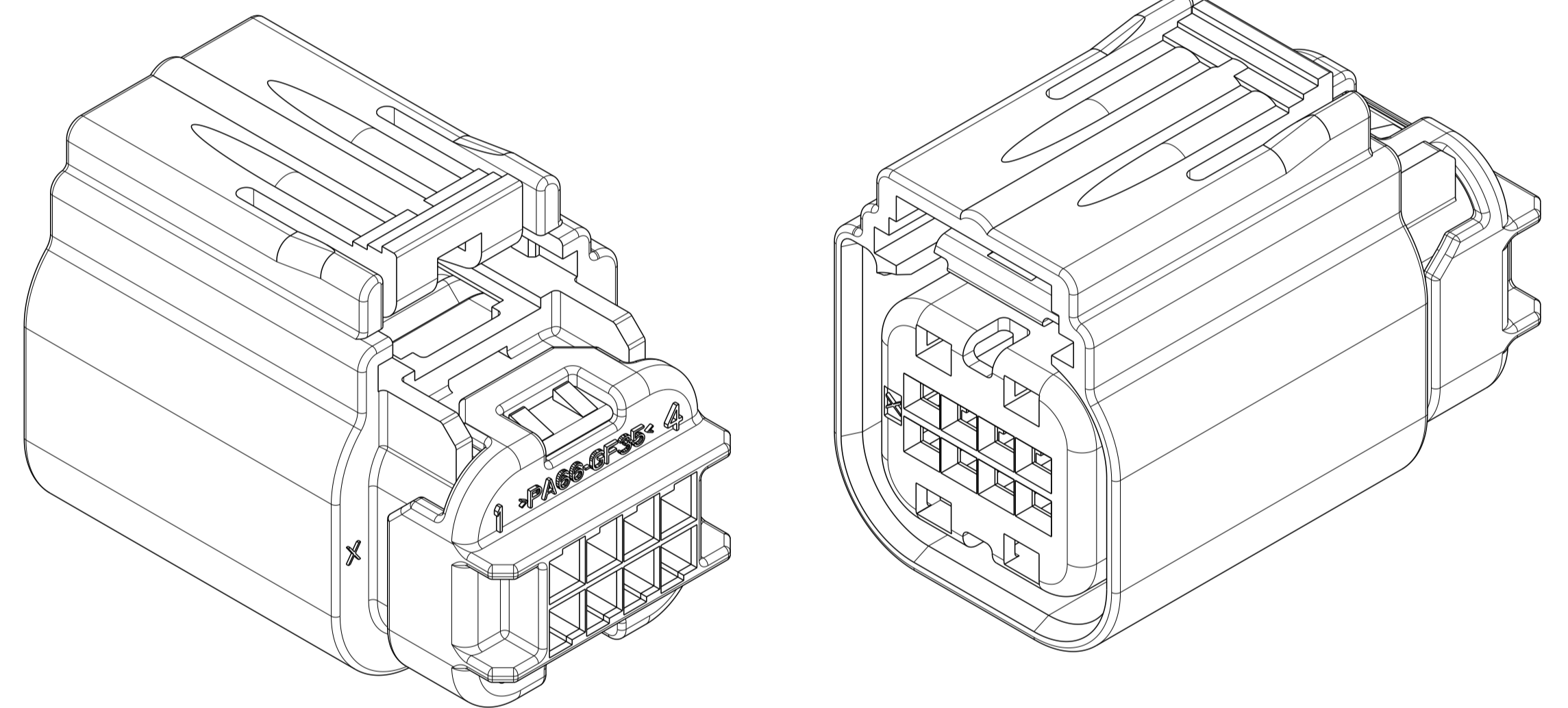
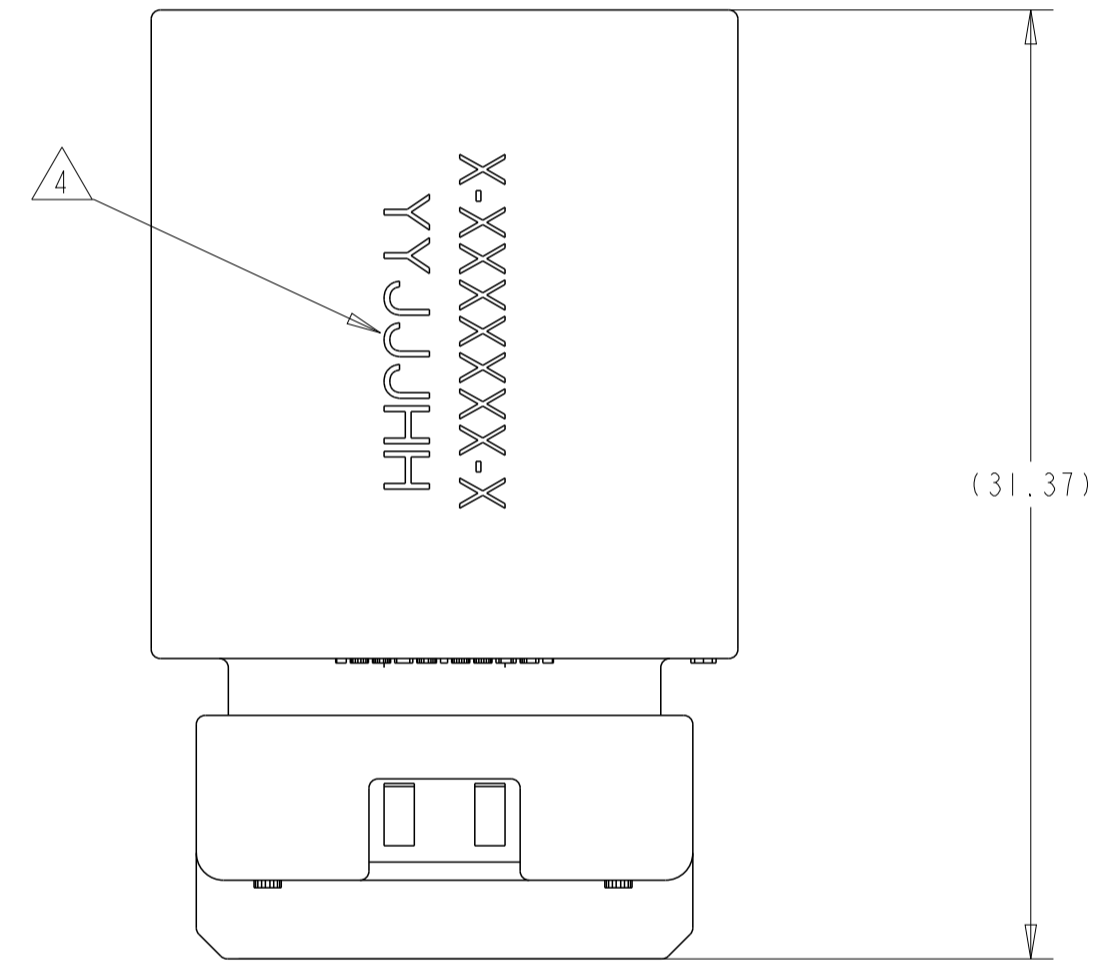


REVISIONS				
P	LTN	DESCRIPTION	DATE	APVD
J7	REV PER ECO-20-014946		17NOV2020	RGV CM
J8	REV PER ECN-22-166480		28JUL2022	SMR CM
J9	REV PER ECN-22-184459		28NOV2022	SMR SAT
J10	REV PER ECN-23-199650		10MAR2023	SMR DM

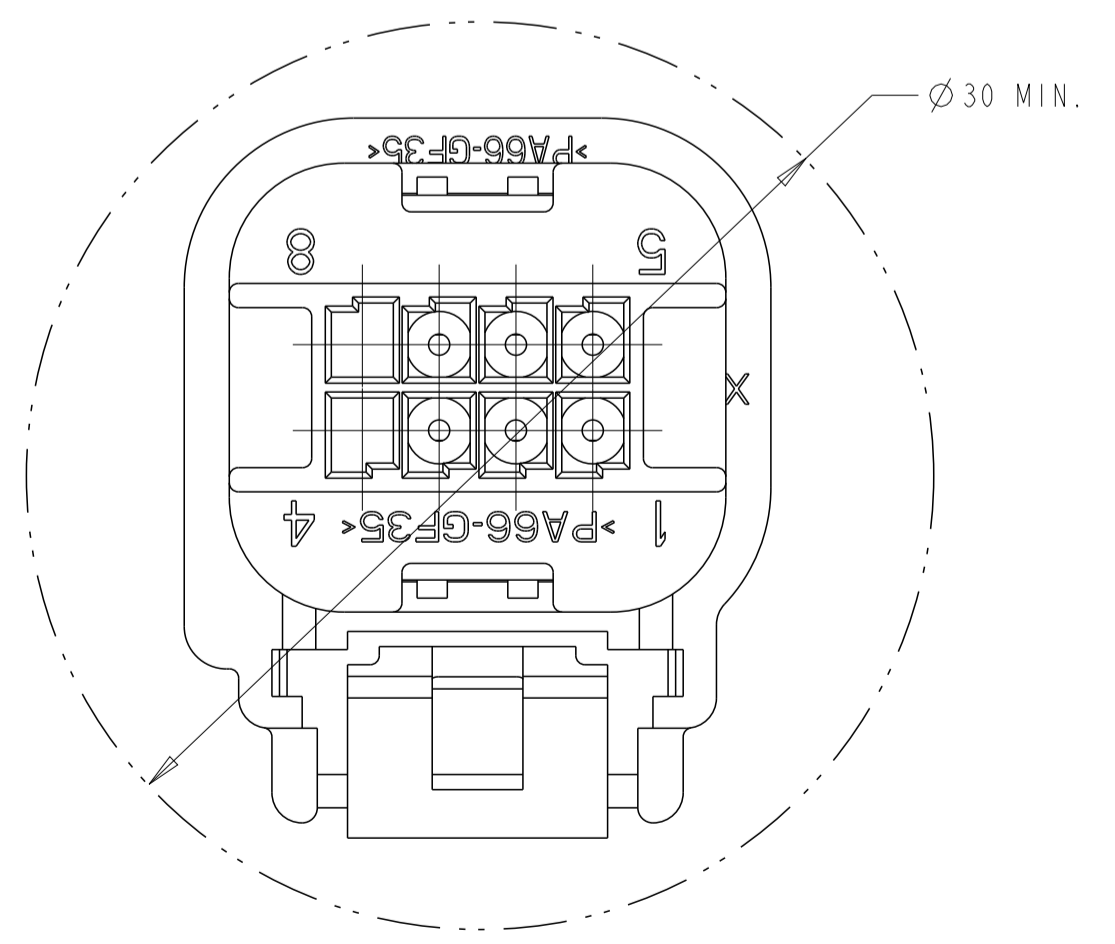


COVER CHART							
1	2	3	4	5	6	7	8
							1-1411001-8
							1-1411001-7
							1-1411001-6
							1-1411001-5
							1-1411001-4
							1-1411001-3
							1-1411001-2
							1-1411001-1
							1-1411001-0
							1411001-9
							1411001-8
							1411001-7
							1411001-6
							1411001-5
							1411001-2
							1411001-1
1	2	3	4	5	6	7	8
TERMINAL POSITION							
ASSEMBLY PART NUMBER							

CAVITIES WITH A NUMBER INDICATES CLOSED TERMINAL HOLE LOCATIONS  
BLANK CAVITIES INDICATE OPEN TERMINAL HOLE LOCATIONS



KEYING OPTION "B" SHOWN  
SEE NOTE 5 FOR APPLICABLE  
HEADER INTERFACE INFORMATION



MINIMUM FEED THRU CONDITION  
WITH 1mm CLEARANCE ALL AROUND

- APPLICABLE TERMINAL PART NUMBERS (SOLD SEPARATELY):  
FOR TIN AND SILVER APPLICATIONS: 1393367 AND 1393366.  
FOR GOLD APPLICATIONS: 1393365 AND 1393364.  
FOR TERMINATION AND REELING DIRECTION  
SEE DRAWINGS 1393367, 1393366, 1393365, AND 1393364.
- COMPATIBLE WIRE SIZES FOR MAT SEAL DESIGN 1.19 TO 2.06 O.D.  
(22-18 AWG, 0.35-0.75 mm<sup>2</sup>)
- TPA IS SHIPPED IN PRE-LOADED POSITION. SOME MAY BECOME FULLY SEATED DURING SHIPPING. USE TYCO INSTRUCTION SHEET 408-10128 TO REPOSITION TPA TO PRE-LOADED POSITION.
- TE CONNECTIVITY ASSEMBLY PART NUMBER (X-XXXXXX-X) AND TRACEABILITY CODE (YY = TWO DIGIT YEAR, JJJ = JULIAN DAY, HH = TWO DIGIT MILITARY HOUR) ARE PRINTED IN THIS LOCATION.
- APPLICABLE HEADER INTERFACE DRAWING 1488342.
- ASSEMBLIES ARE BULK PACKAGED.
- OPTIONAL CPA IS SHIPPED IN PRE-LOADED POSITION.
- PART NUMBER 1411001-2 SHOWN.

ITEM	DESCRIPTION	COLOR	MATERIAL
6	CPA	RED	PBT-GF15
5	PERIMETER SEAL	LIGHT GREEN	SILICONE
4	GROMMET	BROWN	SILICONE
3	GROMMET COVER	BLACK	PA66-GF35
2	TPA	RED	PBT+PC-GF30
1	PLUG, KEY B	BLACK	PA66-GF35

QUANTITY: 1411001-8, 1411001-7, 1411001-6, 1411001-5, 1411001-4, 1411001-3, 1411001-2, 1411001-1, 1411001-0, 1411001-9, 1411001-8, 1411001-7, 1411001-6, 1411001-5, 1411001-2, 1411001-1

THIS DRAWING IS A CONTROLLED DOCUMENT. DIMENSIONS: mm. TOLERANCES UNLESS OTHERWISE SPECIFIED: 0 PLC ±0.3, 1 PLC ±0.3, 2 PLC ±0.10, 3 PLC ±0.10, 4 PLC ±0.10, ANGLES ±0.5°, FINISH: \*

MATERIAL: -

CUSTOMER DRAWING

DATE: 01OCT2001  
CHK: M. HITCHCOCK  
M. FORLSKA  
APVD: A. SHUMAN  
PRODUCT SPEC: -  
APPLICATION SPEC: -  
WEIGHT: 114-13150

NAME: 2X4 SEALED, FEMALE PLUG ASSEMBLY  
SIZE: 2X4  
CAGE CODE: 00779  
DRAWING NO: 1411001  
RESTRICTED TO: REV J10

SCALE: 4:1 SHEET 1 OF 1