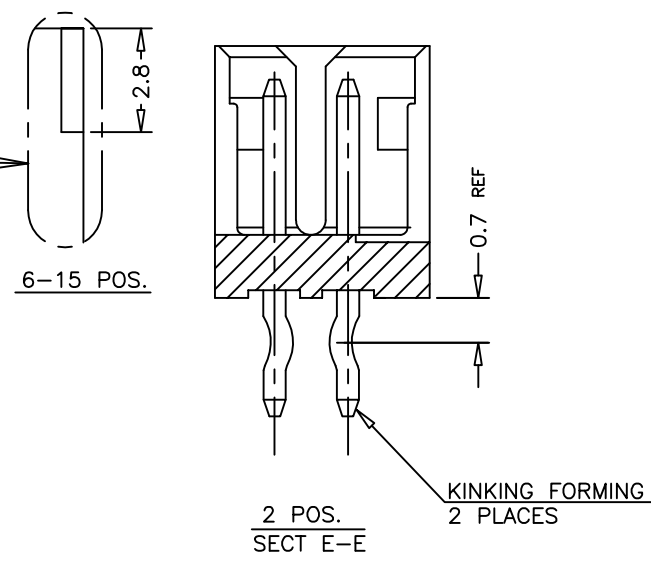
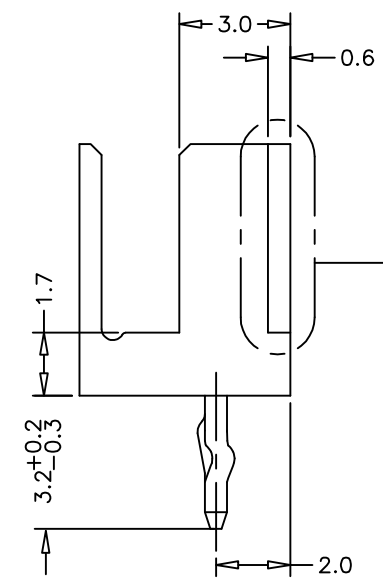
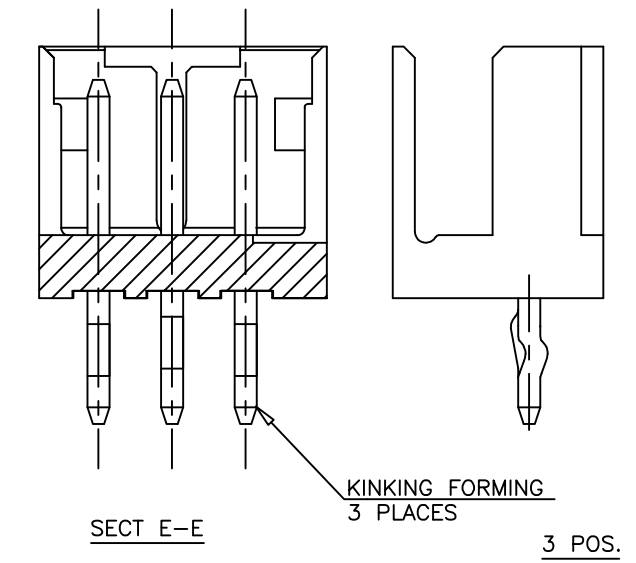
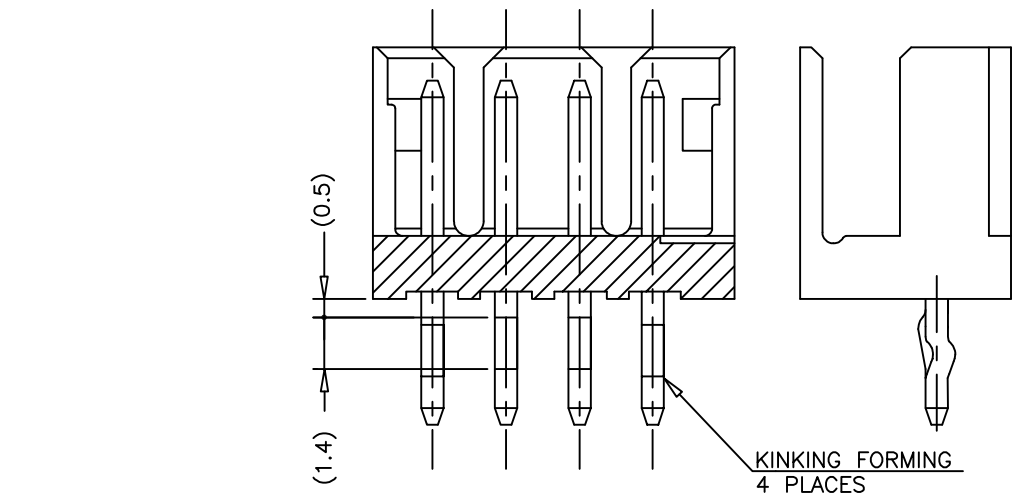
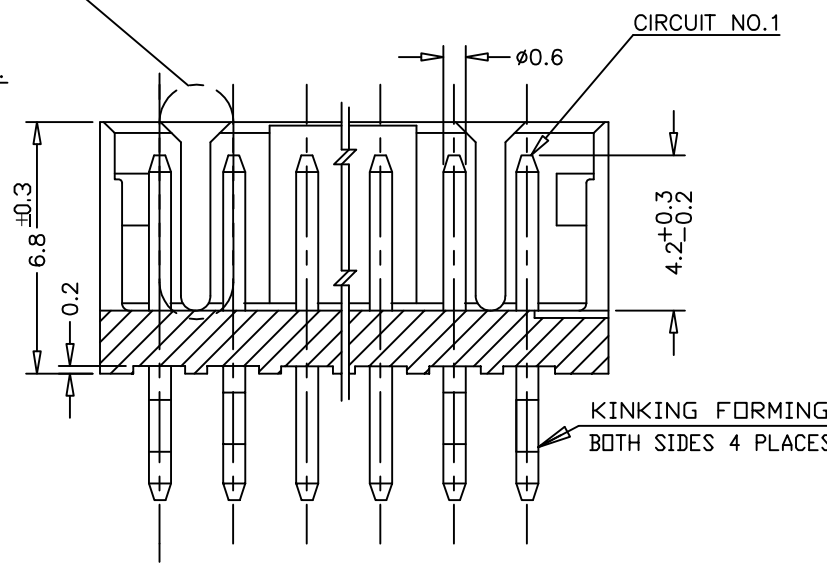
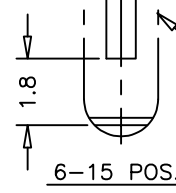
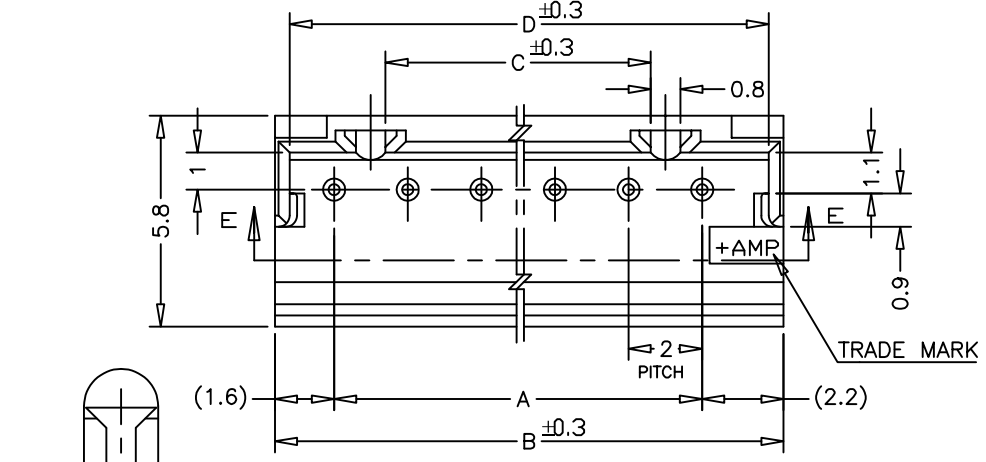
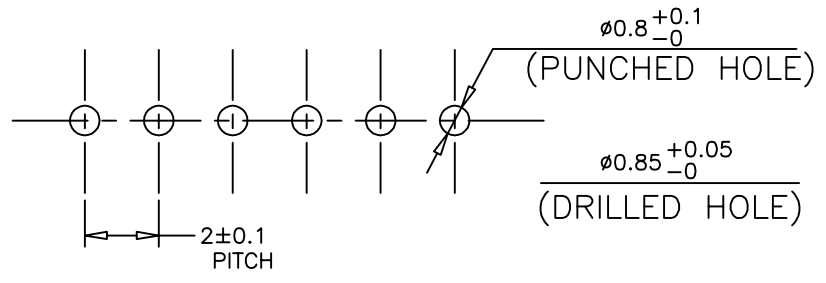


THIS DRAWING IS UNPUBLISHED. RELEASED FOR PUBLICATION  
 © COPYRIGHT - By - ALL RIGHTS RESERVED.

LOC	DIST	REVISIONS					
FB	00	P	LTR	DESCRIPTION	DATE	DWN	APVD
		P1	REVISED	ECR-14-006619	13MAY14	T.Q	W.H



NOTES:  
 1 MATERIAL : HOUSING-66 NYLON (UL94V-0)  
 POST -GOLD-PLT BRASS  
 2 APPLICABLE RECEPTACLE : P/N 176392



NOT ACCUMULATED TOLERANCE

RECOMMENDABLE P.C. BOARD LAYOUT  
 (PCB THK : 0.8-1.6)

NATURAL (WHITE)	1-292134-5	15	28	31.8	25.2	31.0
	1-2	12	22	25.8	19.2	25.0
	1-	10	18	21.8	15.2	21.0
		9	16	19.8	13.2	19.0
		6	10	13.8	7.2	13.0
		5	8	11.8	5.2	11.0
		4	6	9.8	3.2	9.0
		3	4	7.8	—	7.0
	292134-2	2	2	5.8	—	5.0
COLOR	P/N	POS.	A	B	C	D

THIS DRAWING IS A CONTROLLED DOCUMENT.		DWN	S.XU	31JAN03	TE Connectivity	NAME POST HEADER ASS'Y (BOX-V) GOLD PLT TYPE (AMP CT CONNECTOR 2mm PITCH)	
DIMENSIONS: mm		CHK	S.YAO	31JAN03			
TOLERANCES UNLESS OTHERWISE SPECIFIED: ±0.2		APVD	T.SASAKI	31JAN03			
0-PLG ± 1-PLC ± 2-PLC ± 3-PLC ± 4-PLC ± ANGLES ±-		PRODUCT SPEC		108-60016		APPLICATION SPEC	
MATERIAL		FINISH		WEIGHT		RESTRICTED TO	
SEE NOTE		SEE NOTE		-		-	
CUSTOMER DRAWING				SIZE	A3	CAGE CODE	00779
				DRAWING NO	C=292134		REV
				SCALE	5:1		SHEET
				1 of 1		P1	