

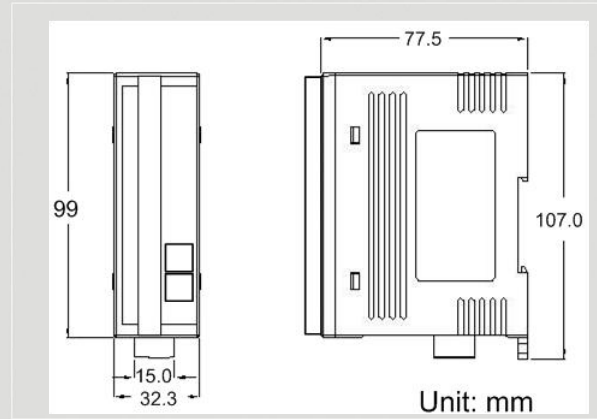


DeviceNet Series Products

Digital Input and Output module of DeviceNet Slave



CAN-2054D



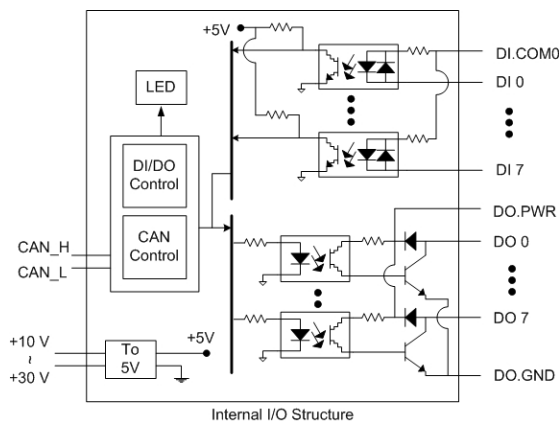
Dimensions

The CAN-2054D follows DeviceNet specification Volume I/II, Release 2.0. User can access the digital I/O status and set the configuration via DeviceNet EDS file. This module has 8-channel isolated sink/source input and 8-channel isolated sink output. It can be applied to various applications, such as PNP, NPN, TTL, relay contact and so forth. By owing to the DeviceNet masters of ICP DAS, you can quickly build a DeviceNet network to approach your requirements.

Features

- DeviceNet general I/O slave devices.
- Comply with DeviceNet specification Volume I, Release 2.0 & Volume II, Release 2.0, Errata 5
- Group 2 Only Server (non UCMM-capable)
- Support Predefined Master/Slave Connection Set
- Connection supported:
 - 1 connection for Explicit Messaging
 - 1 connection for Polled I/O
 - 1 connection for Bit-Strobe I/O connection
- Support DeviceNet heartbeat and shutdown messages
- Provide EDS file for DeviceNet master interface.

Block Diagram



I/O Pin & Wire Connection

Terminal No.	Pin Assignment	Input Type	ON State LED ON Readback as 0	OFF State LED OFF Readback as 1
01	DI.COM	Relay Contact	Relay On	Relay Off
02	DI0			
03	DI1	TTL/CMOS Logic	Voltage > 3.5 V	Voltage < 1 V
04	DI2			
05	DI3	NPN Output	Open Collector On	Open Collector Off
06	DI4			
07	DI5	PNP Output	Open Collector On	Open Collector Off
08	DI6			
09	DI7	Output Type	ON State LED ON Readback as 1	OFF State LED OFF Readback as 0
10	DO0		Relay On	Relay Off
11	DO1	Drive Relay		
12	DO2			
13	DO3	Resistance Load		
14	DO4			
15	DO5			
16	DO6			
17	DO7			
18	DO.GND			
19	DO.PWR			
20	DO.GND			

Node ID & Baud rate DIP Switch



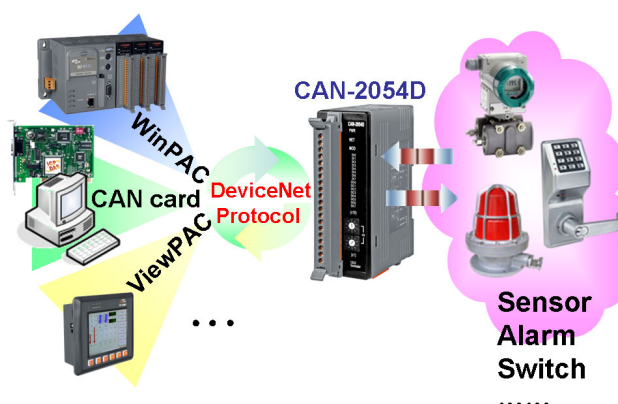
Baud Rotary switch

Switch Value	Baud Rate
0	125 kbps
1	250 kbps
2	500 kbps

Hardware Specifications

CAN Interface	
DeviceNet Specification	Volume I, Release 2.0 & Volume II, Release 2.0, Errata 5
DeviceNet subscribe	Group 2 Only Server
Connection supported	1 connection for Explicit Messaging 1 connection for Polled I/O 1 connection for Bit-Strobe I/O
Node ID	0~63 selected by rotary switch
Baud Rate (bps)	125 kbps, 250 kbps, 500 kbps
Heartbeat/Shutdown message	Yes
Terminator Resistor	Switch for 120 Ω terminator resistor
Digital Input	
Channels	8 (Sink/Source)
On Voltage Level	+3.5 ~ +30 V _{DC}
Off Voltage Level	+1 V _{DC} Max.
Input Impedance	3 k Ω , 0.3 W
Digital Output	
Channels	8 (Sink)
Load Voltage	+5 ~ +30 V _{DC}
Output Max Load Current	700 mA per channel
Output Type	Open Collector
LED	
Round LED	PWR LED, NET LED, MOD LED
I/O LED	8 LEDs as PWM, 8 LEDs as Digital Input, and 1 LED as terminal resistor indicator
Power	
Input range	Unregulated +10 ~ +30 V _{DC}
Power Consumption	1.5 W
Mechanism	
Installation	DIN-Rail
Dimensions	32.3 mm x 99 mm x 77.5 mm (W x L x H)
Environment	
Operating Temp.	-25 ~ 75 °C
Humidity	10 ~ 90% RH, non-condensing

Applications



Ordering Information

CAN-2054D

The DeviceNet module of 8-channel Digital Input and 8-channel Digital Output.