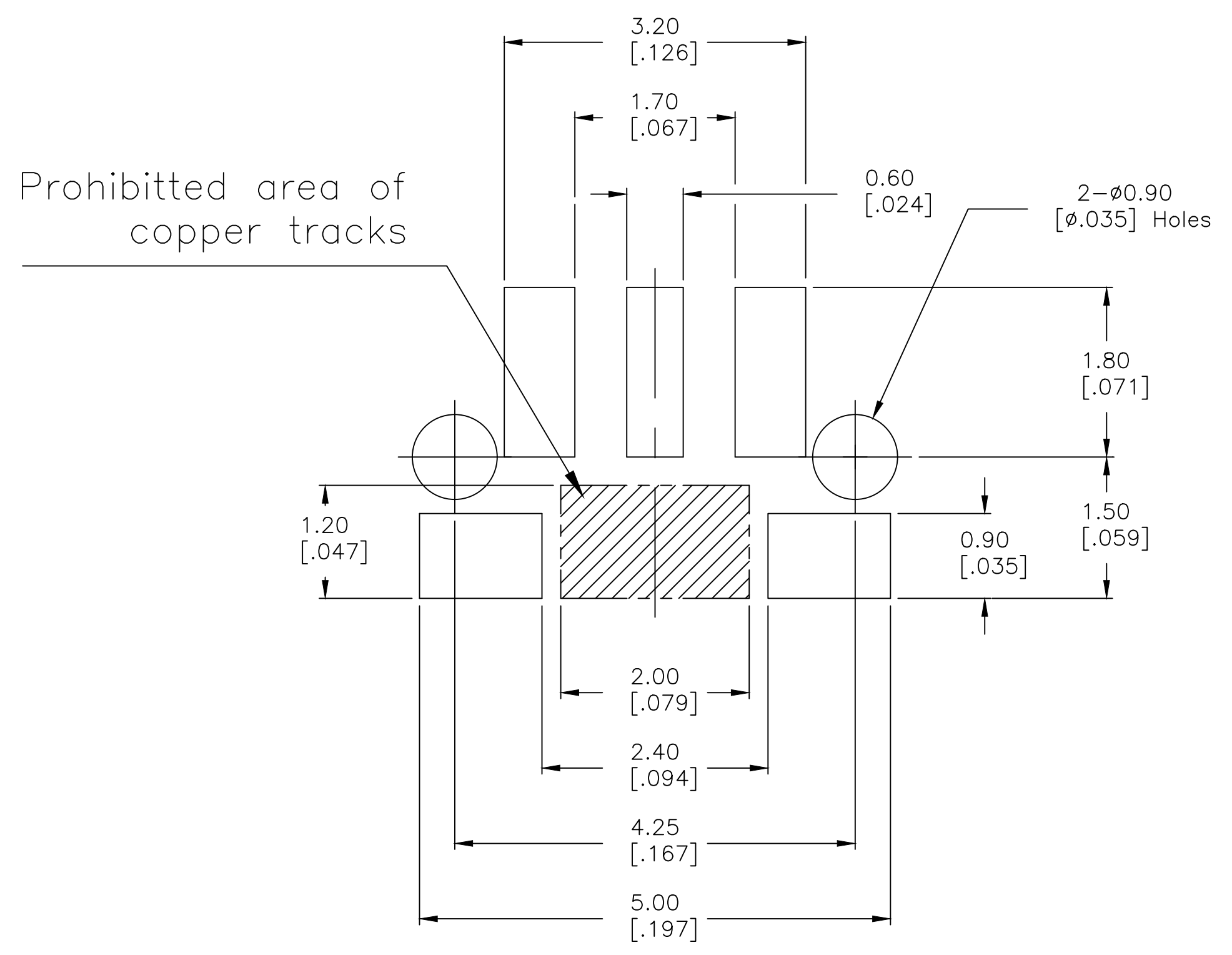
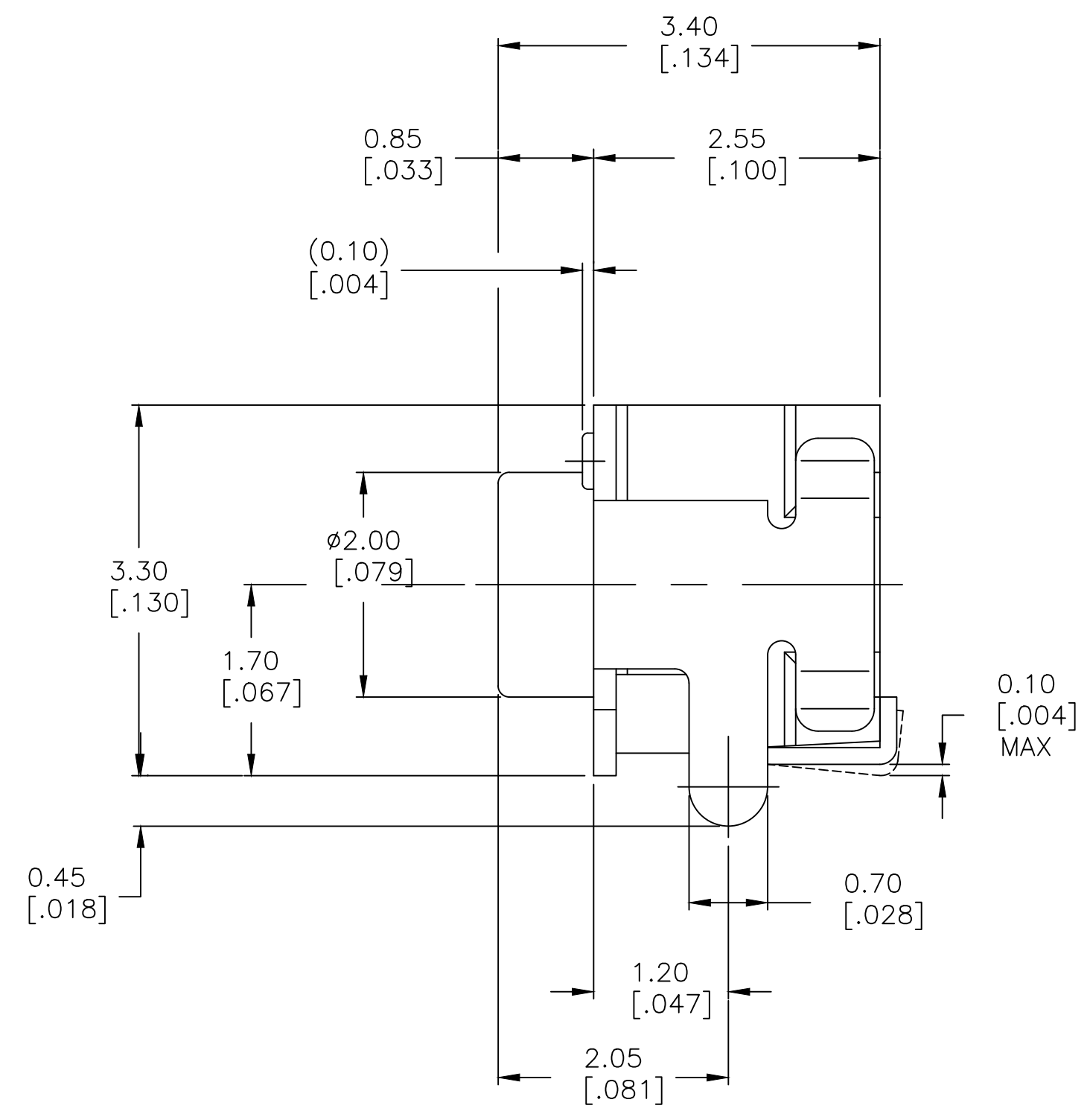
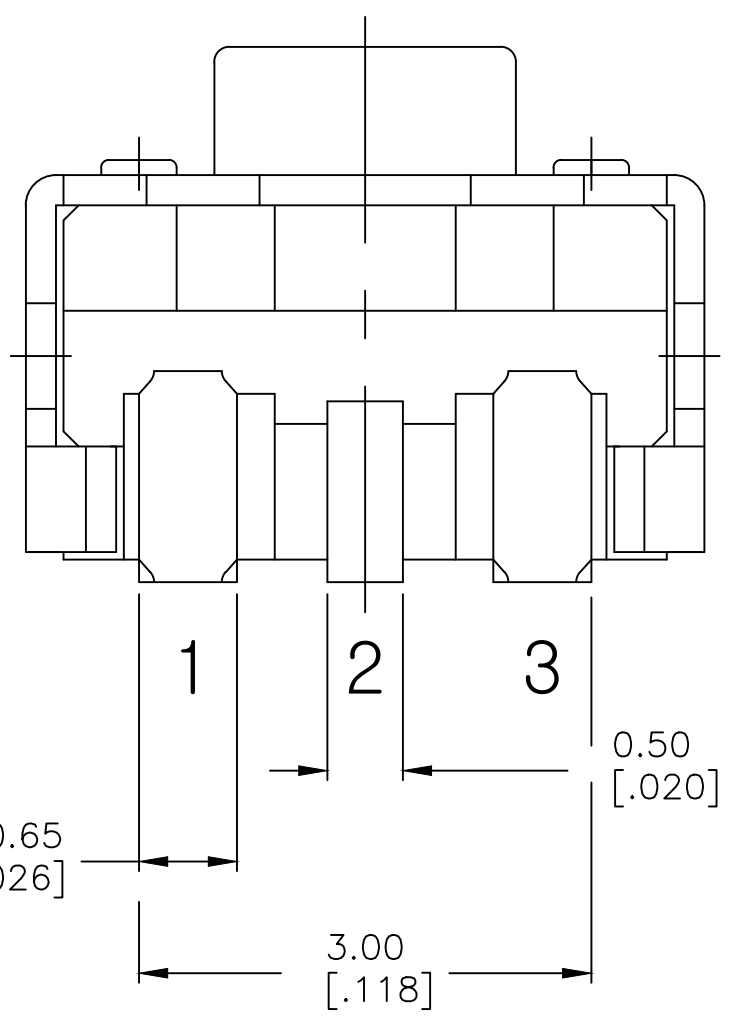
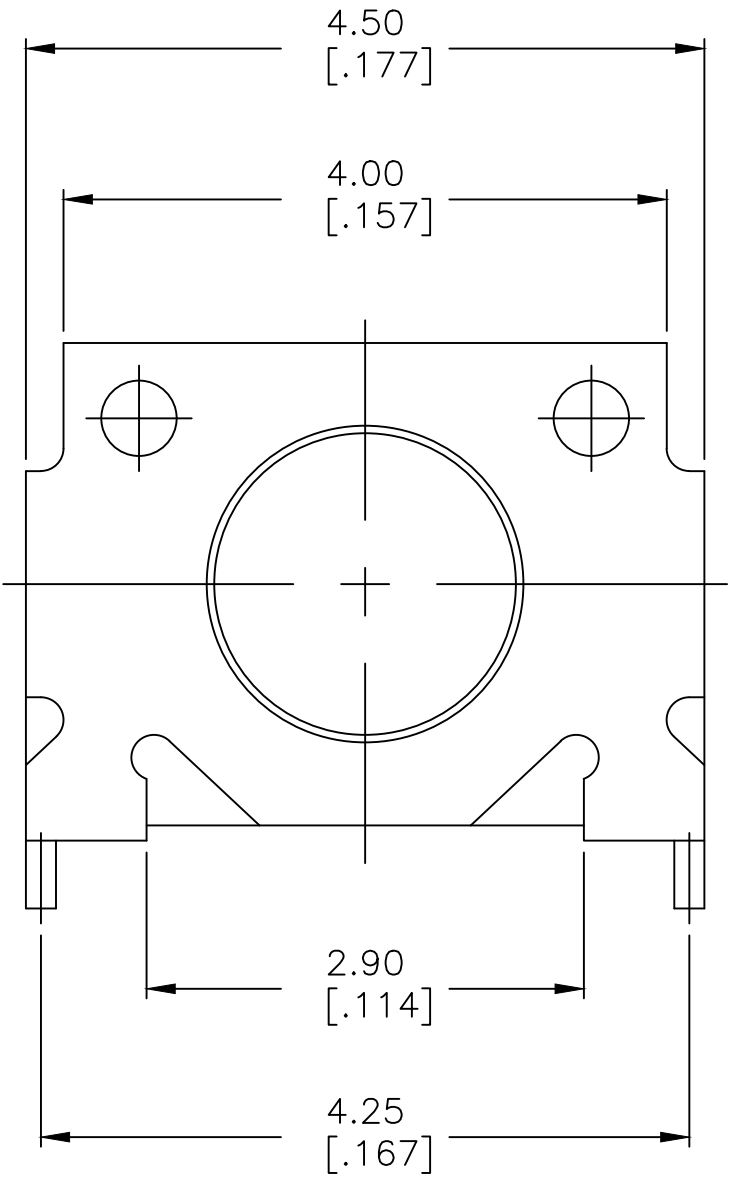
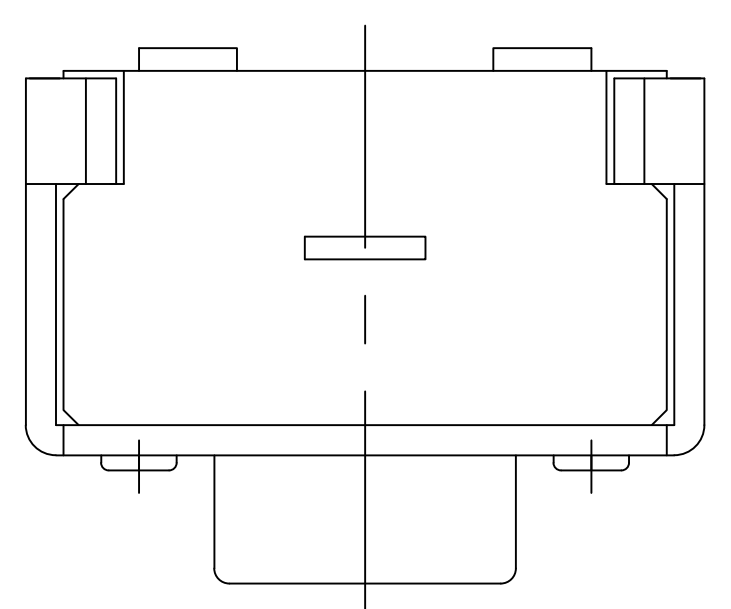


REVISIONS				
P	LTR	DESCRIPTION	DATE	APVD
C1		REVISED PER ECR-17-010390	18JUL2017	SK AS



P.C.B MOUNTING SOLDER LAND DIMENSION

SPECIFICATIONS:

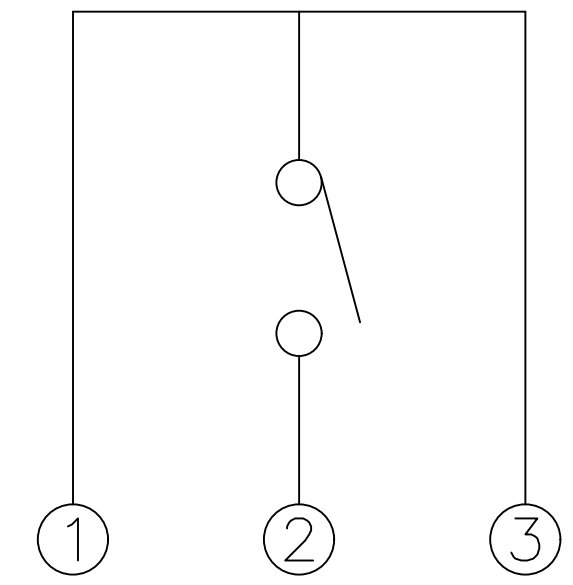
MATERIALS: CASE, PPA UL94V-0, BLACK FINISH
 ACTUATOR, PPA UL94HB, IVORY FINISH
 BRACKET, STEEL, TIN FINISH
 MOVING CONTACT, STAINLESS STEEL, SILVER FINISH
 FIXED CONTACT/TERMINAL, COPPER ALLOY, SILVER OVER NICKEL FINISH

ELECTRICAL:
 MAX CONTACT RATING, 50MA@ 12VDC
 MIN CONTACT RATING, 10MICROAMP@1V DC
 INITIAL CONTACT RESISTANCE, 500 MILLIOHMS MAX
 INSULATION RESISTANCE, 100 MEGOHM MIN
 DIELECTRIC STRENGTH, 500 V AC FOR 1 MINUTE
 CONTACT BOUNCE, LESS THAN 10 MILLISECOND
 LIFE EXPECTANCY, 100,000 CYCLES

MECHANICAL:
 ACTUATION FORCE, 160 +/-50GF
 ACTUATION TRAVEL, .20 +/- .10 MM
 LIFE EXPECTANCY, 100,000 CYCLES MIN

ENVIRONMENTAL:
 OPERATING TEMPERATURE, -35 TO +85 DEGREES C
 STORAGE TEMPERATURE, -35 TO +85 DEGREES C
 THERMAL SHOCK, PER EIA-364-32C, -35 TO +85 DEGREES C
 SOLDERABILITY, PER EIA-364-52, CLASS 2, CATEGORY 1, TEMP, 245 DEGREES C MAX, TIME, 2.5 SECONDS
 MAX, 95% MINIMUM COVERAGE
 RESISTANCE TO SOLDER HEAT, PER 109-201, CONDITION B
 1. NO CHANGE IN INITIAL ELECTRICAL AND MECHANICAL CHARACTERISTICS

1 ALL MATERIALS AND FINISHES SHALL COMPLY WITH EU DIRECTIVE 2002/95/EC OF 27JAN2003 (ROHS)



CIRCUIT DIAGRAM

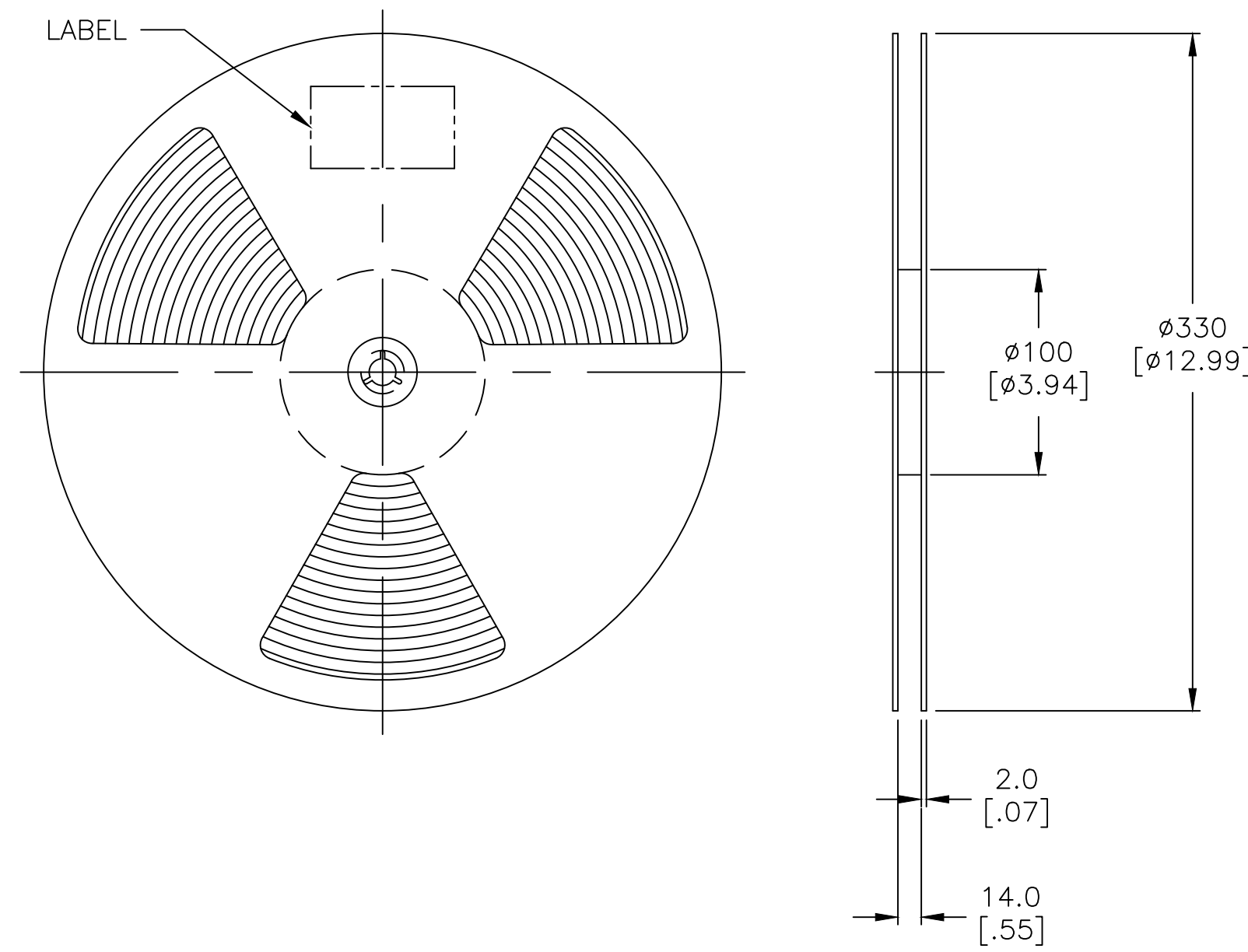
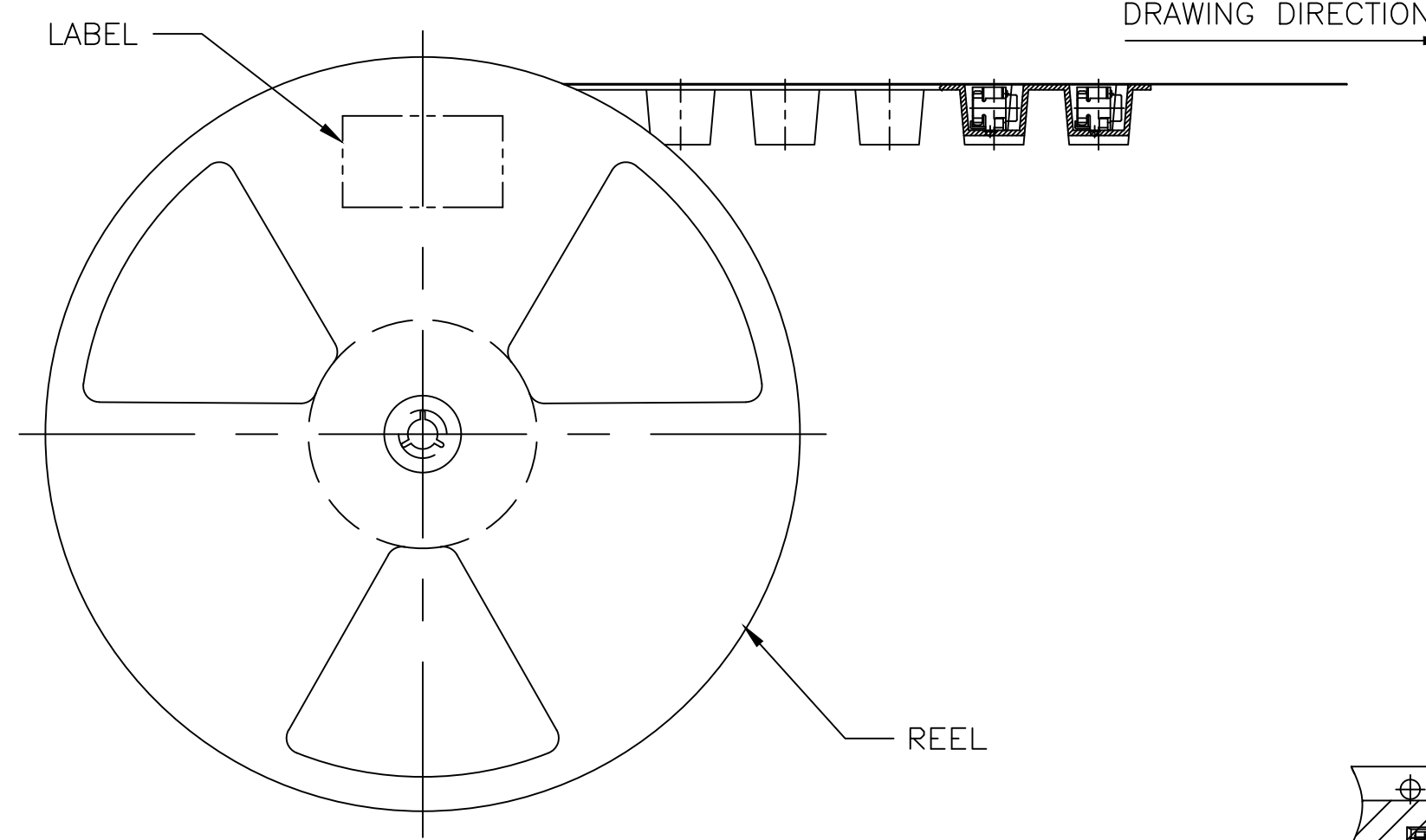
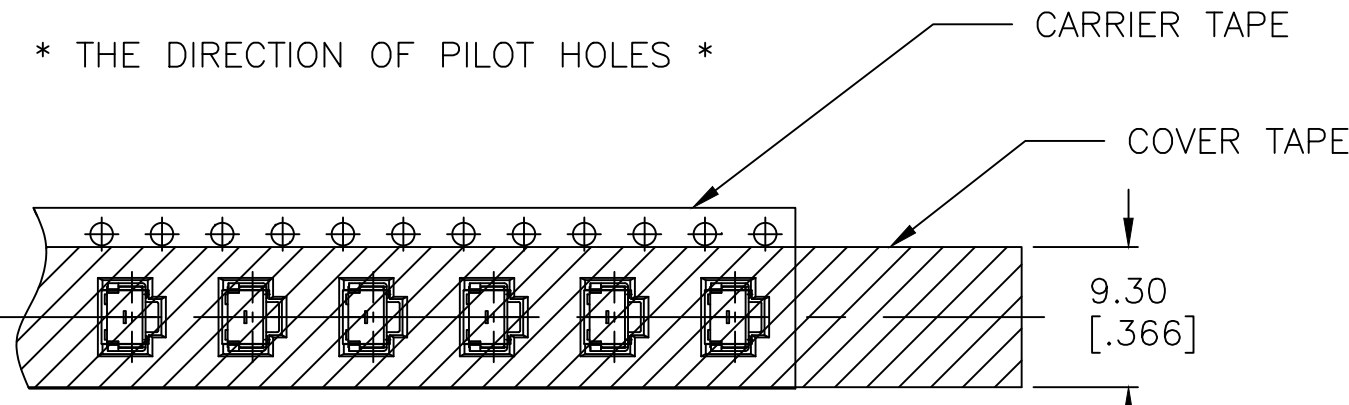
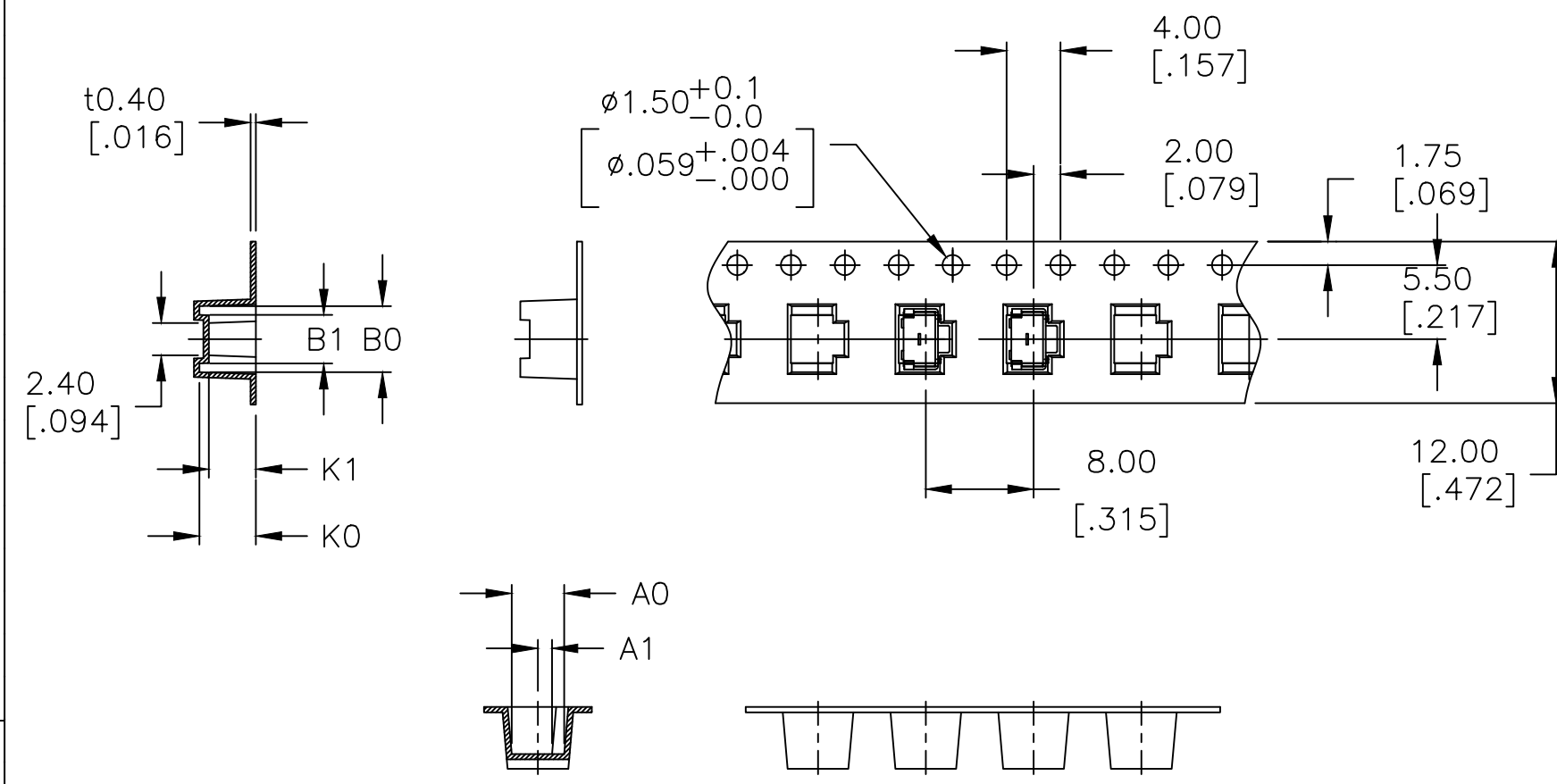
1977066-1
 PART NUMBER

THIS DRAWING IS A CONTROLLED DOCUMENT.		DWN M.BINNER	08MAR2007	TE Connectivity	
DIMENSIONS: mm [INCHES]		TOLERANCES UNLESS OTHERWISE SPECIFIED:	APVD	NAME	
0 PLC ± .		1 PLC ± .	PRODUCT SPEC	R/A TACT SWITCH	
2 PLC ± 0.30[.012]		3 PLC ± .	APPLICATION SPEC	SMT W/ LOCATING PEGS	
4 PLC ± .		ANGLES ± ±	FINISH	SIZE	CAGE CODE DRAWING NO
MATERIAL		FINISH	WEIGHT	A1	00779 ©=1977066
CUSTOMER DRAWING			SCALE	20:1	SHEET 1 OF 2 REV C1

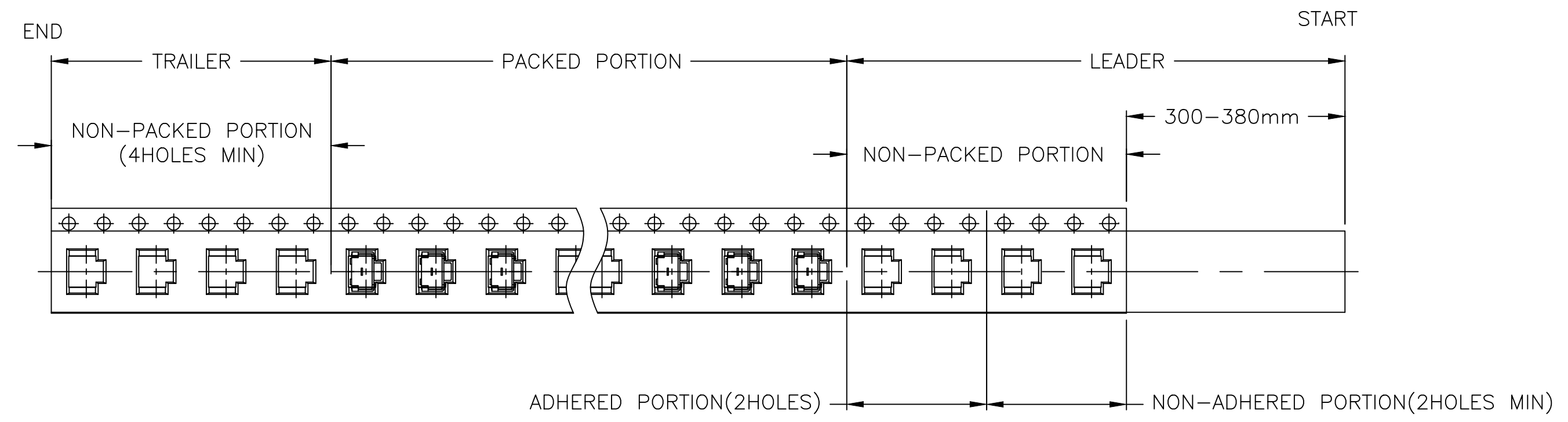
REVISIONS				
P	LTR	DESCRIPTION	DATE	APVD
-	-	SEE SHEET 1	-	-

* THE DIMENSION OF CARRIER TAPE, COVER TAPE AND REEL *

$\pm .^{\circ}D$	$\ddot{A}i$	$\frac{1}{4}\ddot{o}$
A0	3.9±0.1	[.153±.003]
A1	1.05±0.1	[.041±.003]
B0	4.9±0.1	[.192±.003]
B1	3.6±0.1	[.141±.003]
K0	4.2±0.1	[.165±.003]
K1	3.5±0.1	[.137±.003]

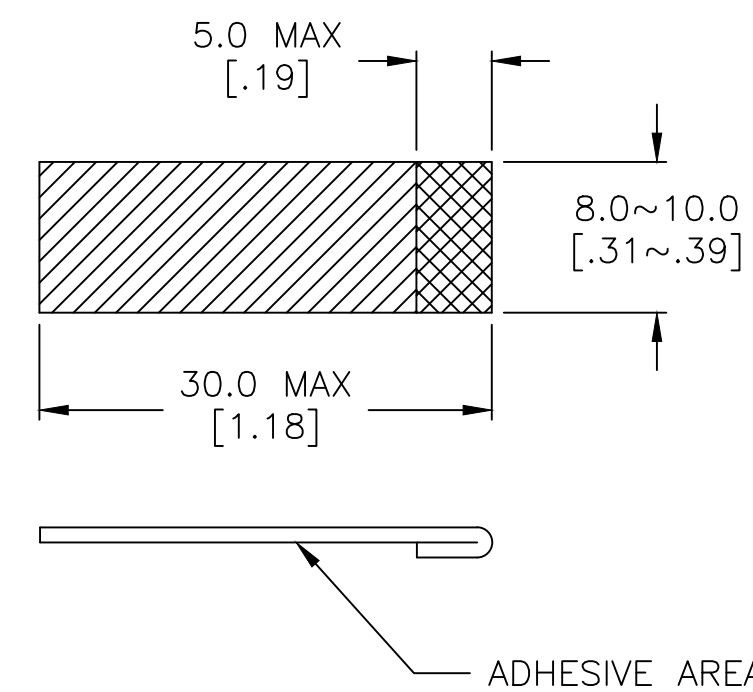
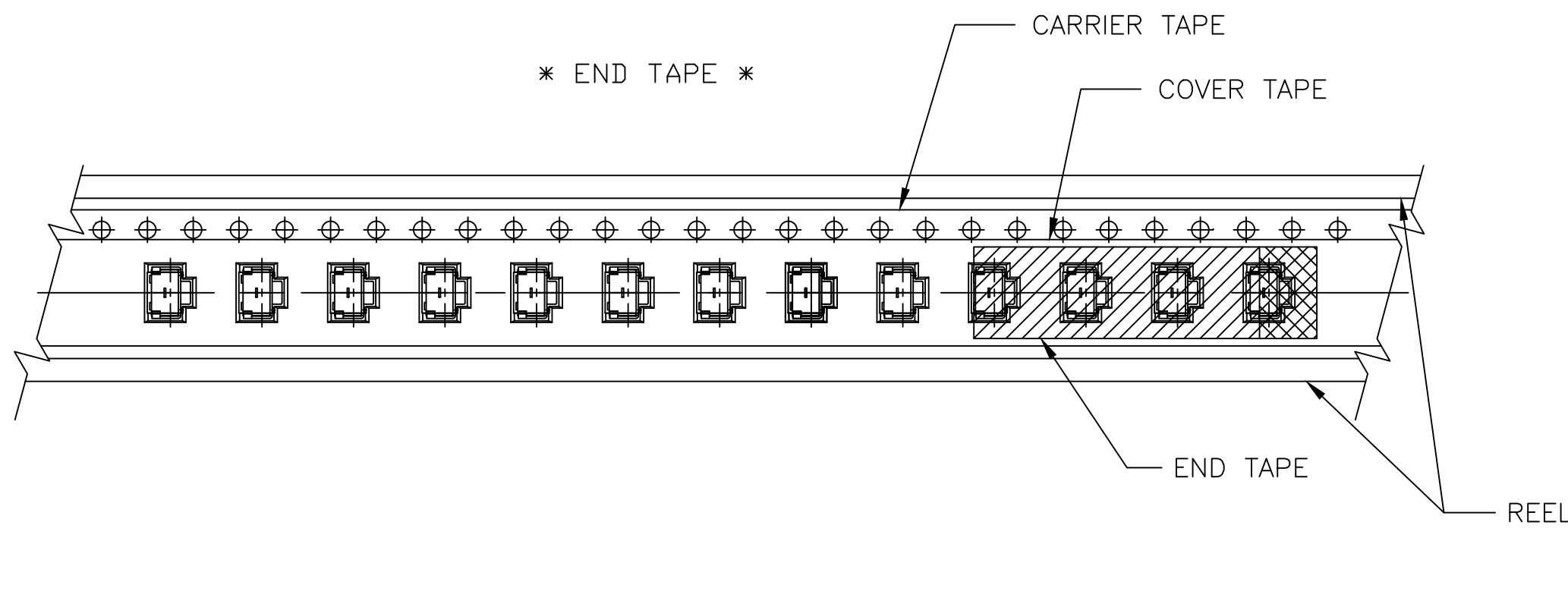


* THE SPECIFICATION FOR PACKAGING *



- 2,000 PCS SWITCHES PER 1 REEL
- GENERAL TOLERANCE : ±0.1[±.003]
- MATERIAL : CARRIER TAPE-POLYPROPYLENE,PC OR POLYSTYRENE
COVER TAPE-POLYESTER
REEL-ABS
END TAPE COLOR-GREEN OR IVORY

* END TAPE *



THIS DRAWING IS A CONTROLLED DOCUMENT.		DWI M.BINNER	08MAR2007	TE TE Connectivity	
DIMENSIONS:		TOLERANCES UNLESS OTHERWISE SPECIFIED:		NAME	
mm [INCHES]		0 PLC ± - 1 PLC ± - 2 PLC ± 0.30[.012] 3 PLC ± - 4 PLC ± - ANGLES ± -		R/A TACT SWITCH SMT W/ LOCATING PEGS	
MATERIAL		FINISH		RESTRICTED TO	
-		-		-	
CUSTOMER DRAWING		A1 00779 ©=1977066		SCALE 20:1 SHEET 2 OF 2 REV C1	