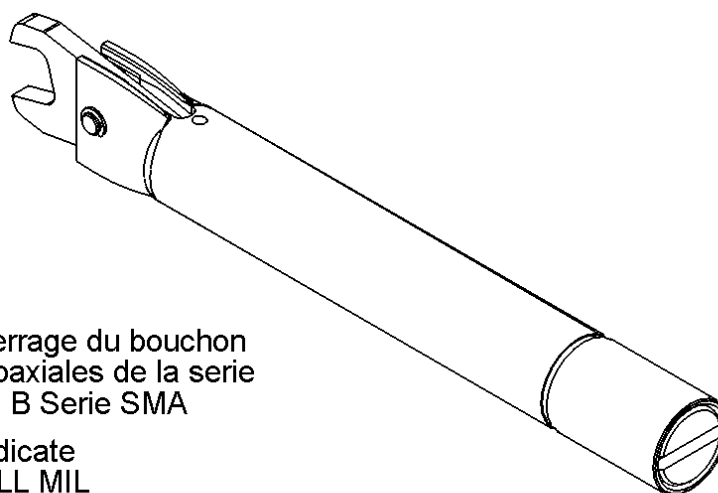
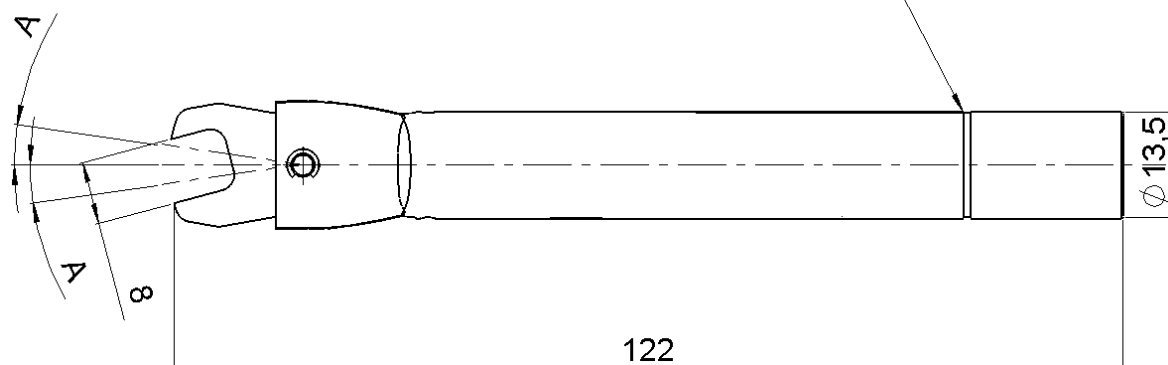


TORQUE WRENCH**R282.320.000****8 MM - 80 to 120 N.cm**Series : **OUT**

SCALE : 1

Gorge pour controle du tarage
(Checking groove)

Cette clé est destinée au serrage du bouchon
du connecteur des fiches coaxiales de la serie
RADIALL MIL - C -39012 B Serie SMA

(This torque wrench is dedicate
for SMA serie plug RADIALL MIL
-C-39012 B coupling nut tightening)

OPERATION

The torque wrench is designed to automatically make a « click sound ».

The wrench will work the same in both directions.

Be careful : DO NOT APPLY PRESSURE to the wrench AFTER hearing the click sound, it will possibly damage the connector.

ENSURE PROPER TORQUE

Apply verification force at the groove level on the handle.

- Coupling torque 100Ncm +/-20Ncm
- A A' angular sweep approximately 8°

Issue : 0635 J

In the effort to improve our products, we reserve the right to make changes judged to be necessary.

