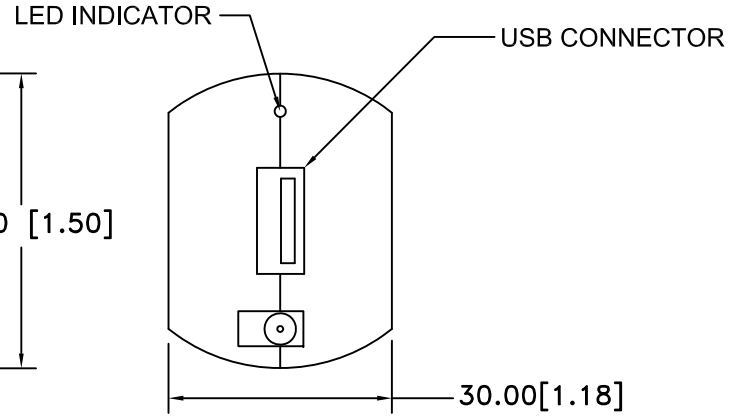
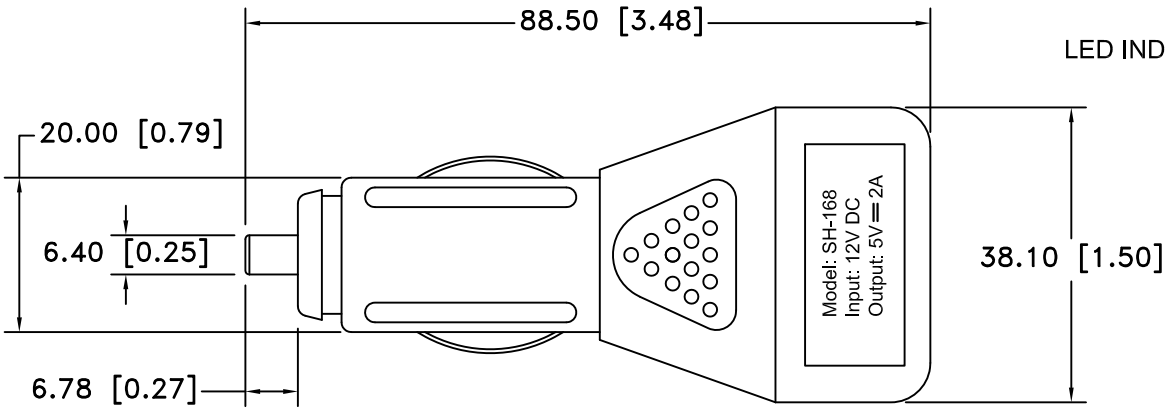



Date	SYM	REVISION RECORD	AUTH	DR.	CK.
11/07/14	A	UPDATED TO ROHS 2 COMPLIANT	T.B.	B.S.	



RATING:
 INPUT: DC12V
 OUTPUT: DC5V
 MAX: 2A

NOTE:
 CASING: ABS
 CAP: ABS
 NEG. TERMINAL: STEEL, NICKEL PLATED
 TIP: BRASS, NICKEL PLATED
 FUSE: 2AMP., 250V
 ROHS 2 COMPLIANT

Tolerance (Except as noted)	 Memory Protection Devices, Inc 200 Broad Hollow Road, Farmingdale, New York 11735	Scale	Drawn By B.S.
			Approved By T.B.
decimal ±.5 (.020)	Title AUTO PLUG WITH USB POWER OUTPUT		
Fractional ± .8 (.030)	Date 11/07/14	Drawing Number AP133	