

CARD INSERTION STATUS	WRITE PROTECT SWITCH		DETECT SWITCH
	WRITE PROTECT POSITION	WRITE ENABLE POSITION	
CARD UNINSERTION	OPEN	OPEN	OPEN
CARD HALF INSERTION	COLSE	COLSE	OPEN
CARD INSERTION	OPEN	COLSE	COLSE

SPECIFICATIONS:

ELECTRICAL:
 RATING CURRENT: 0.5 A
 INSULATION RESISTANCE: 1000M Ω Min. at 100V DC
 CONTACT RESISTANCE: 100 mΩ Max.
 WITHSTANDING VOLTAGE: 500V AC

MECHANICAL:
 CONTACT RETENTION Force: 0.25kgf MIN.
 INSERTION FORCE: 4.2kgf MAX.
 WITHDRAWAL FORCE: 0.21kgf MIN.
 Durability: 10,000 times

ITEM	PARTS NAME	MATERIAL	FINISH/REMARK
A	HOUSING	SYNTHETIC RESIN	BLACK
B	SHELL	STAINLESS T=0.2	NON-PLATING
C	HOLDDOWN CONTACT	COPPER ALLOY T=0.20	80u"MIN. TIN PLATING ON SOLDER TAIL AREA 30u"MIN. NICKEL UPDERPLATING OVERALL
D	CAM PIN	STAINLESS Ø0.4	NON-PLATING
E	CARD LOCK	STAINLESS T=0.20	NON-PLATING
F	SLIDER CAM	SYNTHETIC RESIN	BLACK
G	SPRING	SWP Ø0.25	50u"MIN. NICKEL UPDERPLATING OVERALL
H	CONTACT-SD	COPPER ALLOY T=0.15	5u"MIN. GOLD PLATING ON CONTACT AREA 80u"MIN. TIN PLATING 30u"MIN. NICKEL UPDERPLATING OVERALL
I	PROTECT CONTACT		
J	PROTECT CONTACT AND DETECT CONTACT-SWITCH		
K	DETECT CONTACT		
L	PLASTIC FRAME	SYNTHETIC RESIN	BLACK

REV.	DESCRIPTION	DATE	REV.	DESCRIPTION	DATE	SIZE	REV.	FILE NAME
A	2					A4	1.0	104D-RCA0-RA1_B_1.2
	1	2017/08/23						
		2014/03/14						

UNLESS OTHERWISE SPECIFIED TOLERANCE

ANGLES	ANG.	±5°
LINEAR	0.	±0.3
	0.0	±0.25
	0.00	±0.20
SCALE	AS SHOWN	UNIT: mm

www.attend.com.tw

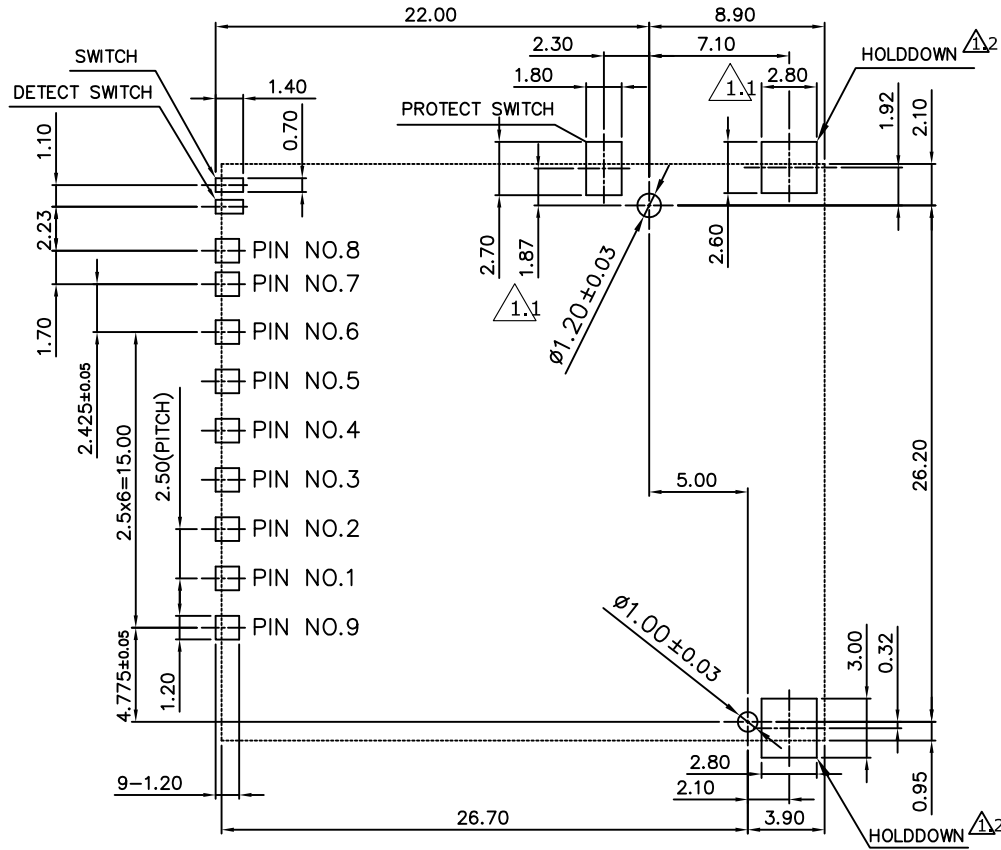
DRAWN NAME: Willis 2014/03/14
 SD Socket Reverse, Push-Push Type

CHECKED: Angel 2014/03/14

APPROVED: Ken 2014/03/14

PRODUCT NO. 104D-RCA0-RA1





PCB TOLERANCE: ±0.05

PIN DEFINE

PAD NO.	MEMORY CARD
SD-01	SD-CD/DAT3
SD-02	SD-CMD
SD-03	SD-VSS
SD-04	SD-VDD
SD-05	SD-CLK
SD-06	SD-VSS
SD-07	SD-DAT0
SD-08	SD-DAT1
SD-09	SD-DAT2

REV.	DESCRIPTION	DATE	REV.	DESCRIPTION	DATE
1	SEE SHEET ONE				

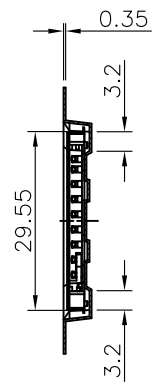
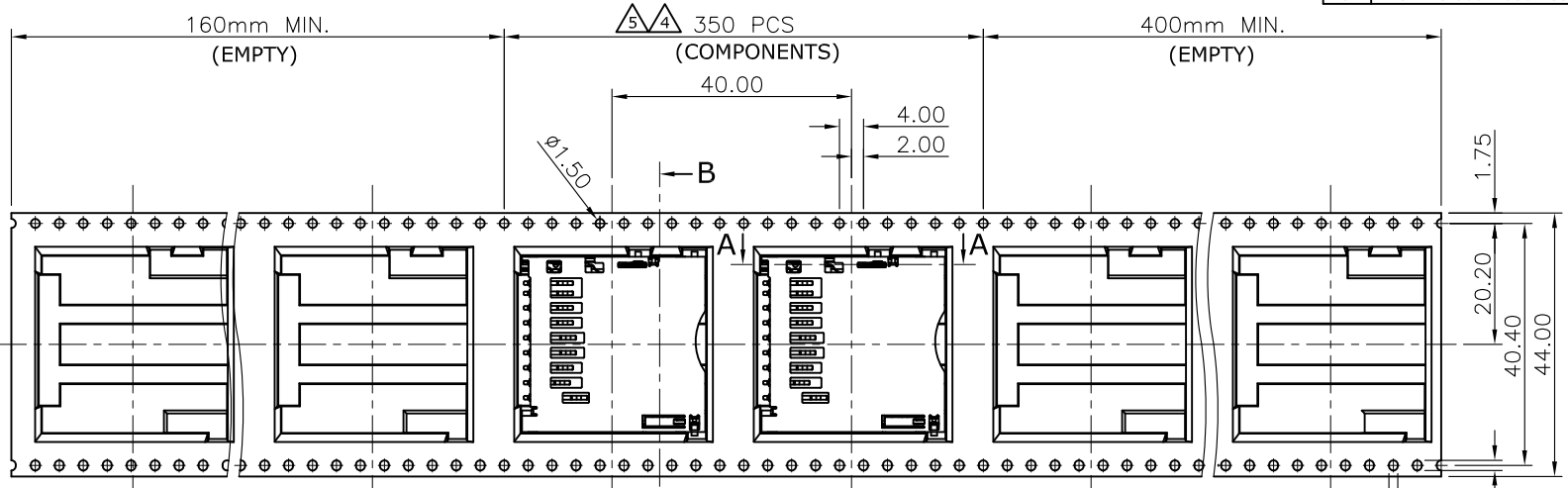
UNLESS OTHERWISE SPECIFIED TOLERANCE		
ANGLES	ANG.	±5°
LINEAR	0.	±0.3
	0.0	±0.25
	0.00	±0.20
SCALE	AS SHOWN	UNIT: mm
DRAWN	Willis	2014/03/14
CHECKED	Angel	2014/03/14
APPROVED	Ken	2014/03/14
SIZE	A4	REV. 1.0



www.attend.com.tw	
DRAWN NAME: SD Socket Reverse, Push-Push Type	
PRODUCT NO.	104D-RCA0-RA1
FILE NAME	104D-RCA0-RA1_B_1.2

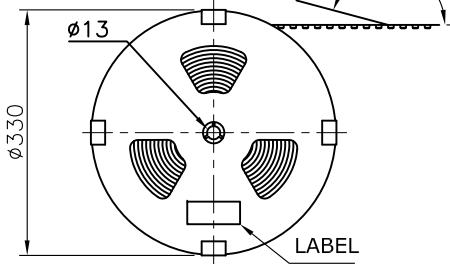
REV.	DESCRIPTION	DRAWN	DATE
3	PACKING 5 REEL/BOX ->7 REEL/BOX	Tim	2016/08/03
4	REVISED 350->300 PCS/REEL	Fros	2017/06/12
5	PACKING 300->350 PCS/REEL,7->6 REEL/BOX	Tim	2018/11/01

PULL OUT DIRECTION →

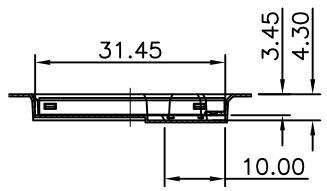


SECTION B-B

PEELING ANGLE
165°~180°



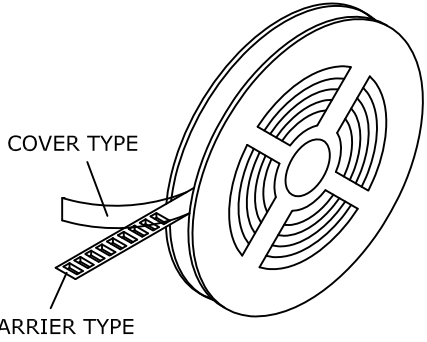
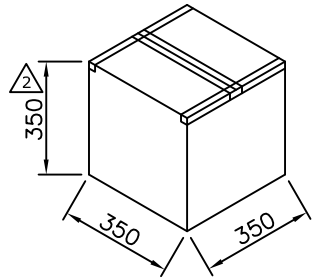
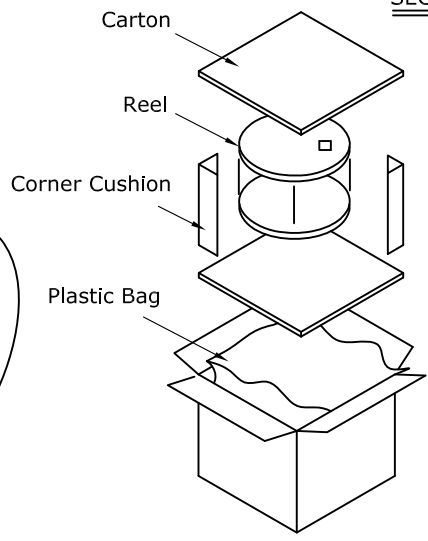
REEL




SECTION A-A

NOTES

- 1.MATERIAL: PS,Color:Black
- 2.No deformation or damage
- 3.PACKING: 350 PCS/REEL ; 6 REEL/BOX



UNLESS OTHERWISE SPECIFIED TOLERANCE				 WWW.ATTEND.COM.TW	
UNIT:	DECIMAL	LINEAR	ANGLES		
mm	X.	±0.50	±5°	DRAWN NAME: SD Socket Reverse,Push-Push Type Packing Drawing	
	X.X	±0.25	±3°		
	X.XX	±0.12	±1°		
DRAWN	Tim	2016/07/21	DRAWN NAME: SD Socket Reverse,Push-Push Type Packing Drawing		
CHECKED	Fros	2016/07/21	PRODUCT NO. 104D-RCA0-RA1		
APPROVED	Ken	2016/07/21	FILE NAME 104D-RCA0-RA1_D_5		
SCALE	N/A	SHEET 1/1	SIZE A4		