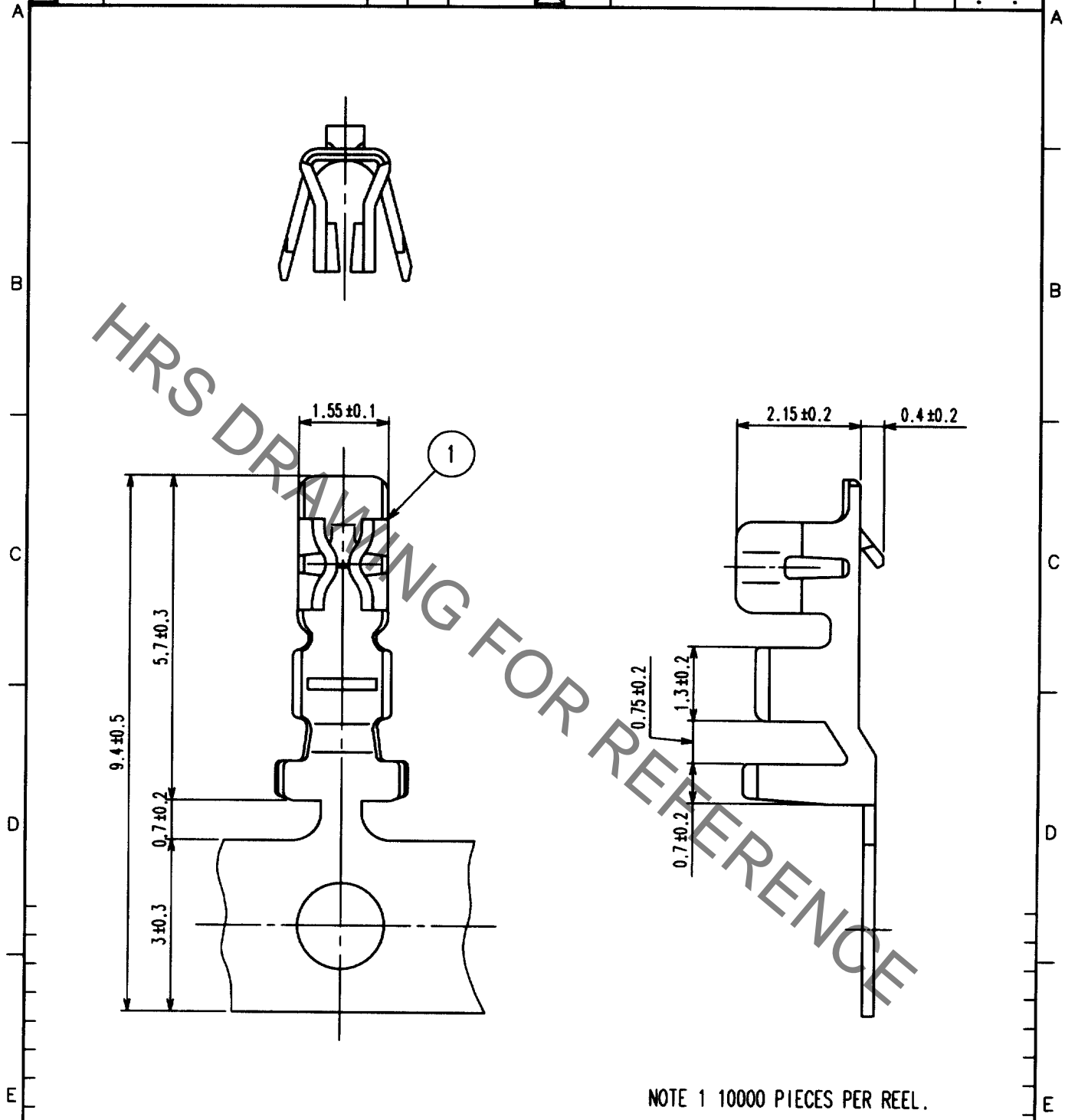


Aug.1.2019 Copyright 2019 HIROSE ELECTRIC CO., LTD. All Rights Reserved.
 In case of consideration for using Automotive equipment / device which demand high reliability, kindly contact our sales window correspondents.

1					2					3					4				
COUNT	DESCRIPTION OF REVISIONS				BY	CHKD	DATE	COUNT	DESCRIPTION OF REVISIONS				BY	CHKD	DATE				
△								△											
△								△											
△								△											



HRS DRAWING FOR REFERENCE

NOTE 1 10000 PIECES PER REEL.

NO. 1		MATERIAL PHOSPHOR BRONZE		FINISH, REMARKS TIN PLATING 1μm MIN UNDER PLATING COPPER	
CODE NO. (OLD)		DRAWN W.Fukuchi '02.08.28		DESIGNED W.Fukuchi '02.08.28	
		CHECKED T.Miyazaki '02.08.28		APPROVED K.Katayama '02.8.28	
		RELEASED			
DRAWING NO. EDC4-071846			PART NO. DF3-22SCF		
UNITS mm			CODE NO. CL543-0235-3		1/1

TO