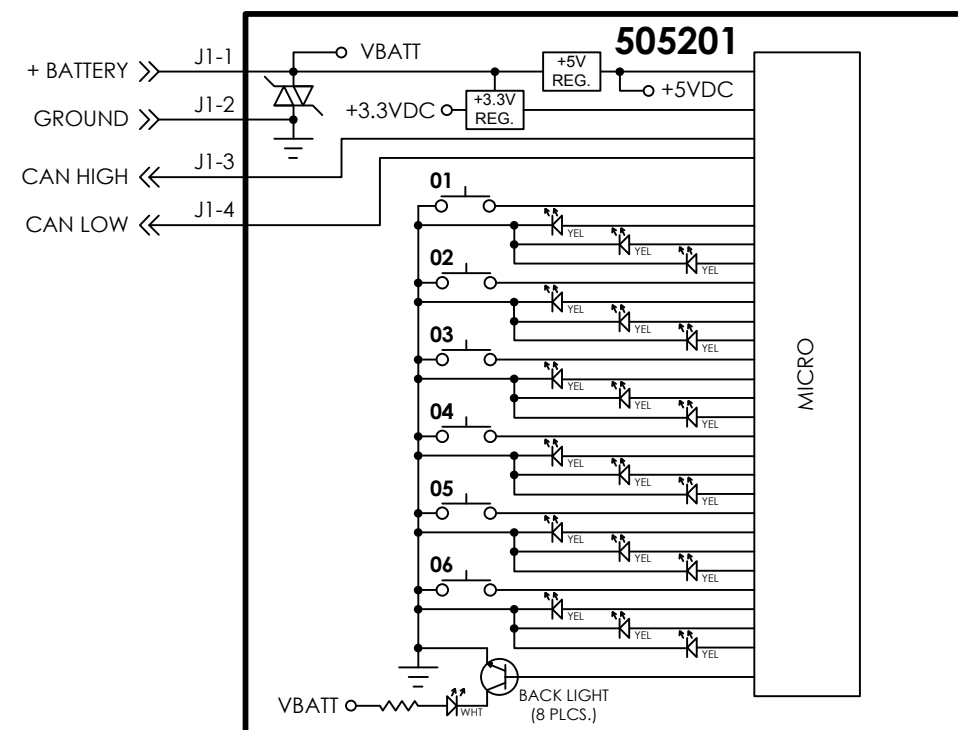
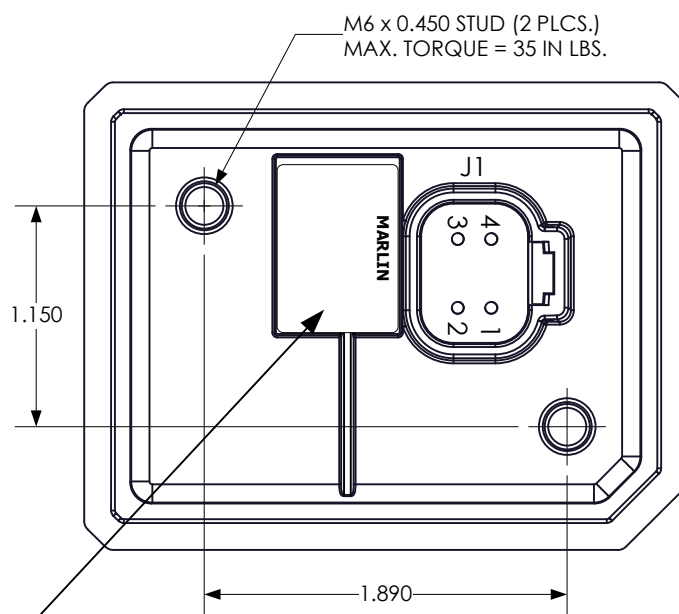
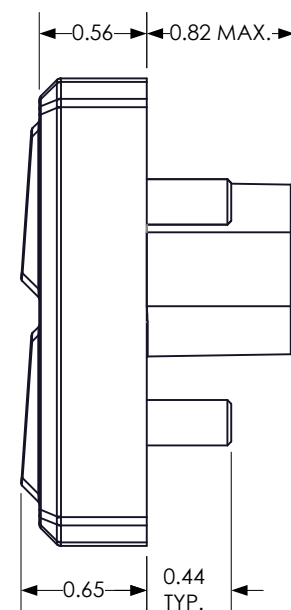
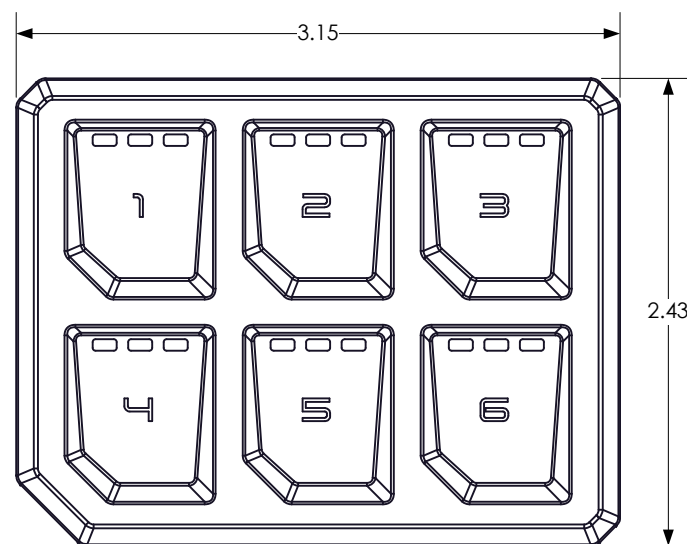
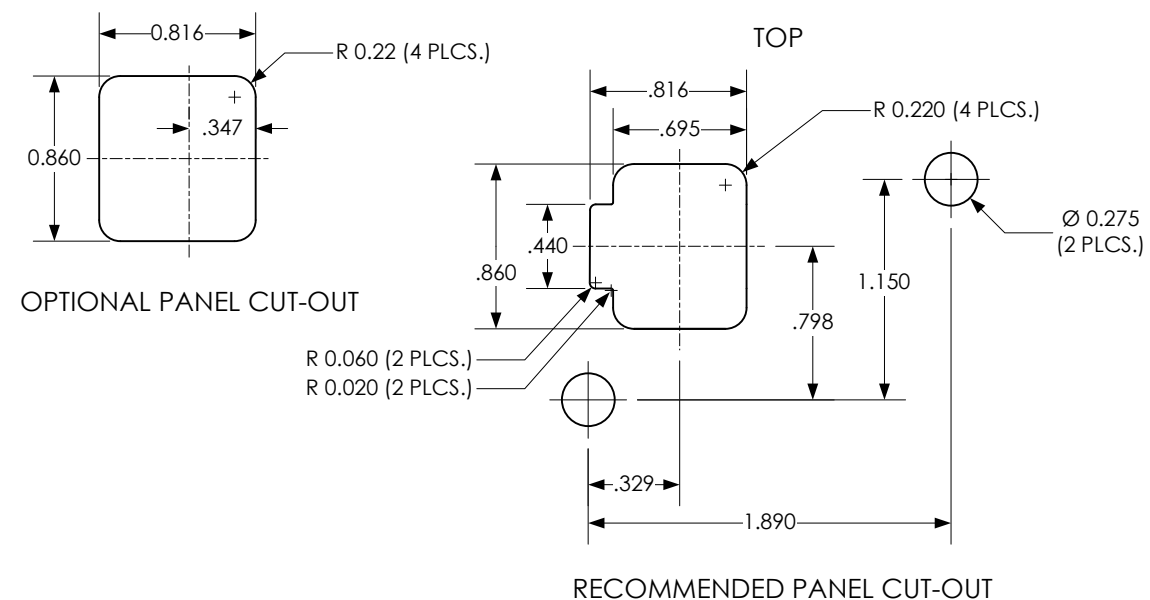
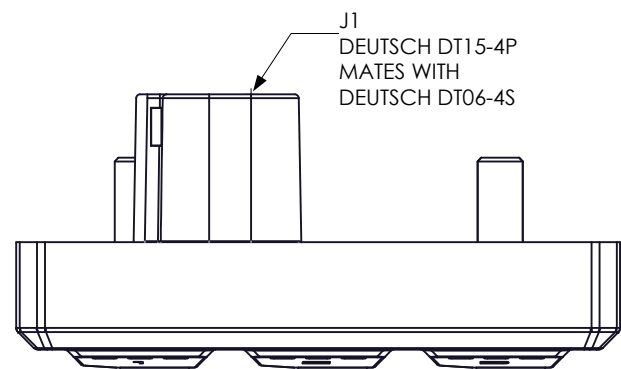


REVISIONS				
REV	DATE	ECN	DESCRIPTION	APVD
A	05/23/19	13153E	RELEASE TO PRODUCTION	SMJ



- NOTES:
1. OPERATING VOLTAGE: +9VDC TO +36VDC (+12VDC OR 24VDC NOMINAL).
  2. REFERENCE CAN COMMUNICATION SPECIFICATION: 13167S-
  3. HANDLING PRECAUTION: DO NOT FLEX OR TWIST ASSEMBLY.

MARLIN  
505201  
REV A  
DATE YYWW  
SOFTWARE  
131615-

PRODUCT LABEL  
REV=BOM REVISION  
LABEL DATE CODE:  
YY=YEAR OF MANUFACTURE  
WW=WEEK OF MANUFACTURE

THE INFORMATION CONTAINED ON THIS DRAWING IS PROPRIETARY AND CONFIDENTIAL TO MARLIN TECHNOLOGIES INC. UNAUTHORIZED USE OR DISTRIBUTION WITHOUT CONSENT IS PROHIBITED.

UNLESS OTHERWISE SPECIFIED, DIMENSIONS ARE IN INCHES AND TOLERANCES ARE

TWO PLACE DECIMAL +/- 0.05	THREE PLACE DECIMAL +/- 0.020	ANGLES +/-
-------------------------------	----------------------------------	---------------

DO NOT SCALE DRAWING

CHECKED	S. JOHNSON	DATE	04/28/20
APPROVED	S. JOHNSON	DATE	06/10/20

MARLIN TECHNOLOGIES INC.

TITLE  
OUTLINE, 505201  
CONFIGURABLE 6 POS KYPD

SIZE B	DRAWING NUMBER 013155	TYPE O	REV A
DRAWN M. SCHELL	DATE 04/21/20	SHEET	1 OF 1