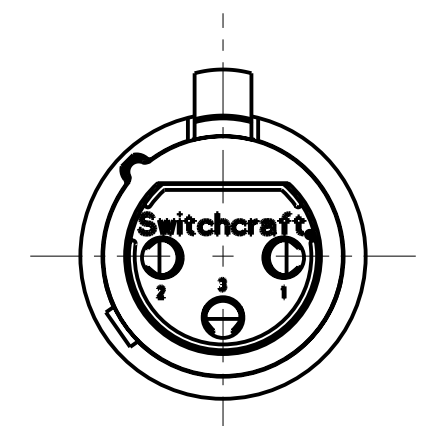
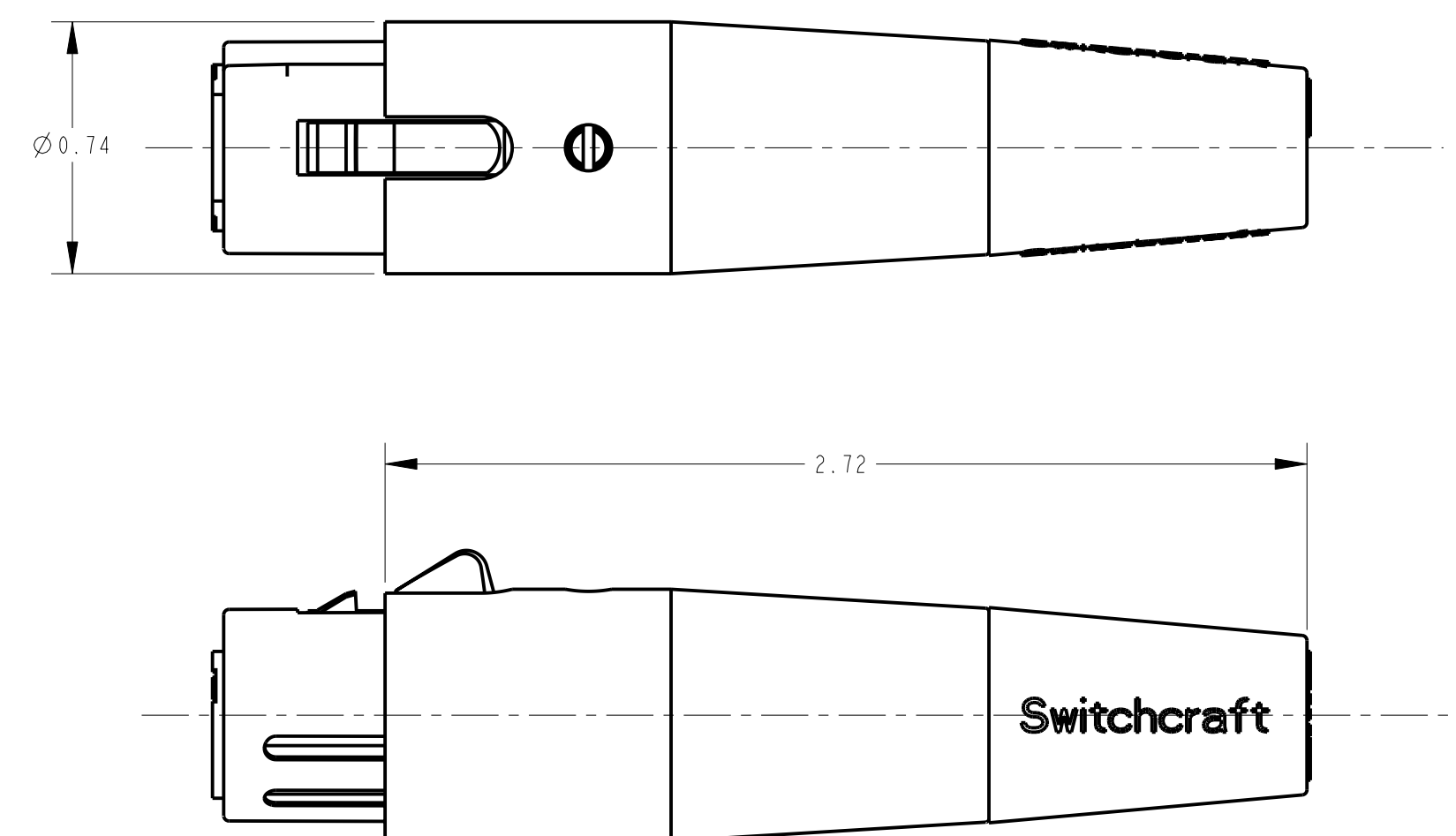


FIGURE 1  
3 PIN DETENT VERSION



**STANDARD SERIES**

INSERT SCREW - STAINLESS STEEL  
 SHELL - STAINLESS STEEL  
 HOUSING - ZINC, NICKEL PLATED  
 LATCH BUTTON - ZINC, NICKEL PLATED  
 TUBULAR INSULATOR - MYLAR  
 INSULATOR - POLYESTER, GREEN OR BLACK  
 CABLE CLAMP - BRASS, ELECTRO TIN PLATED  
 FLEX RELIEF - HI-FAX, BLACK  
 LATCH SPRING - STAINLESS STEEL  
 CONTACTS - PHOSPHOR BRONZE, SILVER PLATED

AA F  
 CONTACT PLATING  
 BLANK = SILVER (STANDARD)  
 AU = GOLD

N  
 HOUSING FINISH SEE NOTE 2  
 BLANK = NICKEL PLATE (STANDARD)  
 BX = BLACK RoHS

LATCH TYPE  
 BLANK = STANDARD LATCHLOCK  
 D = FAS-DIS-CONNECT DETENT (SEE FIGURE 1)

FLEX RELIEF SIZE  
 BLANK = STANDARD SIZE (0.210 TO 0.300)  
 L = LARGE CABLES (0.300 TO 0.328)  
 S = SMALL CABLES (0.105 TO 0.205)

NO. OF CONTACTS:  
 3 = 3 CONTACTS  
 4 = 4 CONTACTS  
 5 = 5 CONTACTS  
 6 = 6 CONTACTS  
 7 = 7 CONTACTS

**PROFESSIONAL SERIES**

SAME AS ABOVE EXCEPT  
 CONTACTS - PHOSPHOR BRONZE, GOLD OVER NICKEL  
 HOUSING - NON-REFLECTIVE VEL-TONE FINISH  
 FLEX RELIEF - GRAY

AQGP - 22  
 N  
 NO. OF CONTACTS:  
 3 = 3 CONTACTS

- NOTES:**
- ALL DIMENSIONS REFERENCE UNLESS OTHERWISE SPECIFIED.
  - BLACK HOUSING AND INSERT WITH SATIN NICKEL PLATED LATCH.
  - THIS PRODUCT IS RoHS COMPLIANT.

REV	ECO NUMBER	DATE	BY	APVD
P	26965	5-25-12	TO	TJK
N	26158	10-4-06	TO	TJK
M	21522	1-31-97	MM	RB
L	20762	12-4-96	MM	RB

★ STAR SYMBOL DENOTES CRITICAL DIMENSION

UNLESS OTHERWISE SPECIFIED

1. ALL DIMENSIONS IN INCHES  
 - TWO PLACE DECIMALS ±0.01  
 - THREE PLACE DECIMALS ±0.005  
 - FRACTIONAL DIMENSIONS ±1/64  
 - ANGLES ±1°  
 - ALL DIA. CONCENTRIC WITHIN 0.005 T.I.R.

2. FEATURES ON THE SAME CENTERLINE MUST BE ALIGNED WITHIN ±0.002

3. REMOVE ALL BURRS

DO NOT SCALE DRAWING

THIS DRAWING DESCRIBES A DESIGN CONSIDERED PROPRIETARY IN NATURE, DEVELOPED AND MANUFACTURED BY SWITCHCRAFT INC. AND IS RELEASED ON A CONFIDENTIAL BASIS FOR IDENTIFICATION PURPOSES ONLY.

SIZE	WIDTH	MULT	LBS/M	TEMPER
FINISH		MATERIAL SPEC No.		
SPEC No.		SCALE 2:1		
DATE DRAWN	BY	CHKD	APVD	
8-Jul-94	SG	1-19-95	GHJ	
NAME		PART No.		
AA SERIES FEMALE OQ, RoHS		AA_F SERIES		

CUSTOMER DRAWING

