

6

5

4

3

2

1

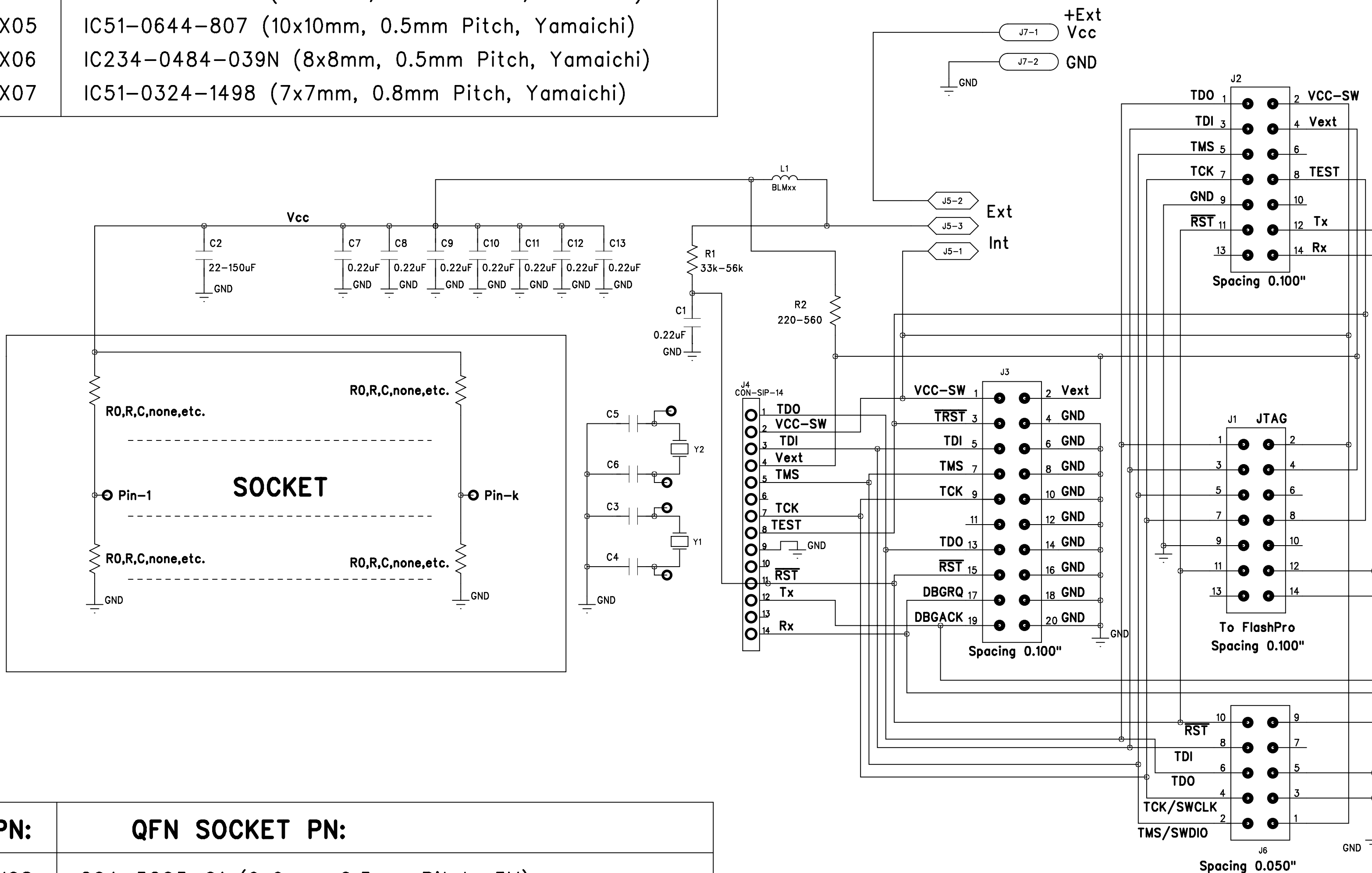
ELPROTRONIC INC.

Page 1 of 1

Title: Universal Socket boards
Type

Version 1.0

Package	PCB PN:	QFP SOCKET PN:
QFP-144	PE047X02	IC201-1444-026N-2 (20x20mm, 0.5mm Pitch, Yamaichi)
QFP-100	PE047X03	IC201-1004-008 (14x14mm, 0.5mm Pitch, Yamaichi)
QFP-80	PE047X04	IC201-0804-014 (12x12mm, 0.5mm Pitch, Yamaichi)
QFP-64	PE047X05	IC51-0644-807 (10x10mm, 0.5mm Pitch, Yamaichi)
QFP-48	PE047X06	IC234-0484-039N (8x8mm, 0.5mm Pitch, Yamaichi)
QFP-32	PE047X07	IC51-0324-1498 (7x7mm, 0.8mm Pitch, Yamaichi)



Package	PCB PN:	QFN SOCKET PN:
QFN-64	PE047X08	264-5205-01 (9x9mm, 0.5mm Pitch, 3M)
QFN-48	PE047X09	48QN50S17070 (7x7mm, 0.5mm Pitch, Plastronics)
QFN-32	PE047X10	32QN50S15050 (5x5mm, 0.5mm Pitch, Plastronics)
QFN-68	PE047X11	68QN40S18080 (8x8mm, 0.4mm Pitch, Plastronics)
QFN-48	PE047X12	48QN40TS16060 (6x6mm, 0.4mm Pitch, Plastronics)
QFN-32	PE047X13	32QN40TS24040 (4x4mm, 0.4mm Pitch, Plastronics)

Note - J6 only with boards with QFN sockets

Revision	
1	
2	

Design:
G.CZAJKOWSKI
08-June-2020

Page 1 of 1