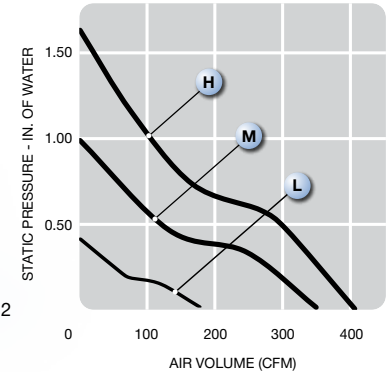
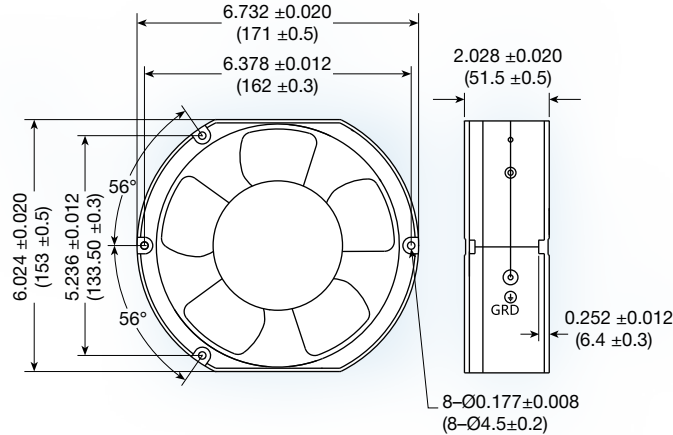


# MS1751-H series



**(171 x 153 x 51 mm)**

6.73 x 6.02 x 2.00 inches

**Features:** soft start, polarity protection, auto-restart

**Operating Voltage:** 12, 24 and 48 VDC

**Construction:** UL94V-0 plastic impeller, aluminium frame

**Bearing option:** ball bearing

**Air Flow:** air exhaust over struts

**Options:**

- tachometer;
- locked rotor alarm signal;
- PWM speed control;
- conformal coating;
- encapsulated motor (IP68)



Model No.	Rated Voltage VDC	Current A			Speed RPM	Air Volume		Max. Static Pressure (H <sub>2</sub> O)		Sound Noise dbA	Weight g
		12	24	48		M <sup>3</sup> /Min.	CFM	MM	INCH		
<b>MS1751L-H</b>	12/24/48	1.22	0.52	0.28	3,000	5.23	184.7	10.69	0.42	56	655
<b>MS1751M-H</b>	12/24/48	3.75	1.85	0.95	4,500	9.96	352.1	25.52	1.00	66	655
<b>MS1751H-H</b>	12/24/48	6.50	3.10	1.47	5,500	11.84	418.2	42.75	1.64	72	655

\*Additional performance levels available, contact Mechatronics for more options