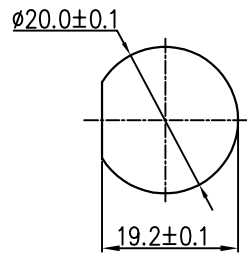
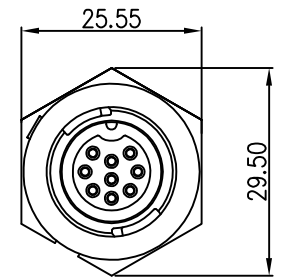
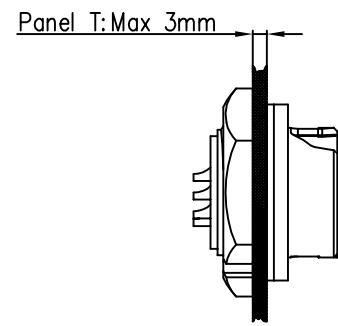
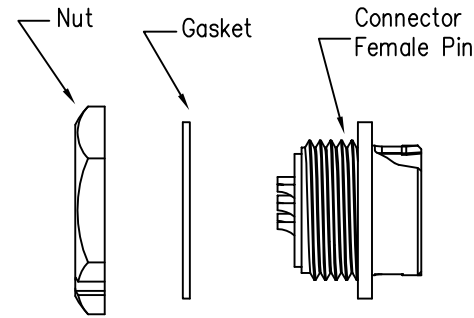
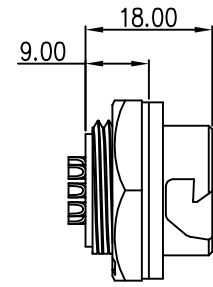


REV.	ECN NO.	DESCRIPTION	SIGN	DATE
C1	N/A	INITIAL DRAWING	Liu	2020/05/16



Recommended Panel Cut-Out

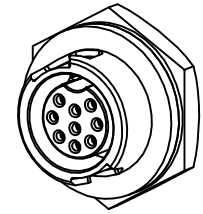


23XXX635-03
Pin Number

- Specification:
1. Operation Temperature: $-45^{\circ}\text{C} \sim 105^{\circ}\text{C}$.
 2. Insulation Resistance: $100\text{M}\Omega$ at DC500V.
 3. Contact Resistance: $<10\text{m}\Omega$.
 4. Withstand Voltage: 1300V AC
 5. Operating Current: 5A
 6. Operating Voltage: DC 60V
 7. Waterproof Rate: IP67 (Mated)
 8. Housing: Nylon, Black
 9. Female Pin: Copper Alloy, Gold Plated
 10. Gasket: Silicon Gray
 11. Panel Nut: Nylon, Blue
 12. Torque Rate: $0.8 \sim 1.0\text{N} \cdot \text{m}$
 13. RoHS Compliant.
 14. UL Compliant. (Only 7Pin & 8Pin)
 15. Mating Cap P/N: 806-00103-00

7 Pin	8 Pin	9 Pin
P/N: 23007635-03	P/N: 23008635-03	P/N: 23009635-03

Pin Assignments Front View



CHOGORI

UNIT:mm		DESCRIPTION Middle Series Push Lock Rear Mount With Female Pin	PART NO 23XXX635-03	DRAWN BY Liu	DATE 2020/05/16
TOLERANCE .X ±0.25 .XX ±0.15 .XXX ±0.05 ANGLES ±1°	SCALE 1:1	SHEET 1 OF 1	DWG NO	CHECKED BY Mo	DATE 2020/05/16
REV. C1	SIZE A4	* : Inspection Item	CUSTOMER	APPROVED BY Adley	DATE 2020/05/16

THIS INFORMATION IS CONFIDENTIAL AND IS DISCLOSED TO YOU ON CONDITION THAT NO FURTHER DISCLOSURE IS MADE BY YOU TO OTHER THAN CHOGORI PERSONNEL WITHOUT AUTHORIZATION FROM CHOGORI CORP.