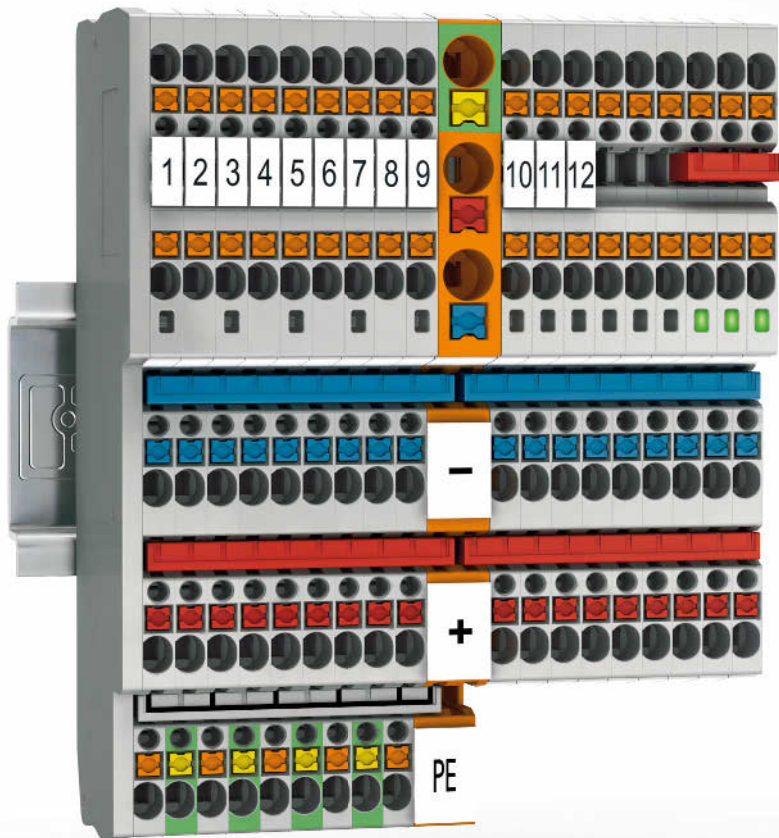


Modular Terminal Blocks 2013 / 2014





PCB connection technology and electronics housing

- PCB terminal blocks and plug-in connectors
- Electronics housing



Connection technology for field devices

- Plug-in connectors
- Cables and connectors



Modular terminal blocks



Sensor/actuator cabling and industrial plug-in connectors

- Sensor/actuator cabling
- Cables and connectors
- Plug-in connectors



Marking systems, tools, and mounting material

- Marking and labeling
- Tools
- Installation and mounting material



Surge protection and power supply units

- Lightning monitoring system
- Surge protection and interference filters
- Power supply units and UPS
- Protective devices



Interface technology and switching devices











- Electronic switching devices and motor control
- Measurement and control technology • Monitoring
- Relay modules • System cabling for controllers



Control technology, I/O systems and automation infrastructure

- Ethernet networks • Functional safety • HMIs and industrial PCs • I/O systems
- Industrial lighting and signaling • Industrial communication technology
- Fieldbus components and systems • Wireless data communication
- Process infrastructure • Software • Controllers

Table of contents

Product range in pictures			2
From here, you can access the desired product directly			
System features			12
CLIPLINE complete			
	UT screw connection terminal blocks		23
	PT push-in connection terminal blocks		101
	ST spring-cage connection terminal blocks		201
Modular terminal blocks	QT fast connection terminal blocks		305
CLIPLINE complete			
	COMBI plug-in connection solutions		329
	RT bolt connection terminal blocks		449
	Accessories		469
Modular terminal blocks	UK universal modular terminal blocks		489
	SK shield connection clamps		
Sector-specific solutions			655
Service			695
Terminal strips, control boxes, planning and marking software			
Technical information and index			706

Product range in pictures

From here, you can access the desired product directly

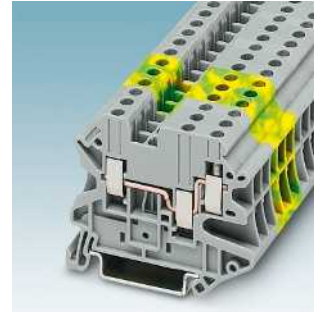
UT screw connection terminal blocks



Screw connection feed-through and ground terminal blocks
UT ... Page 26



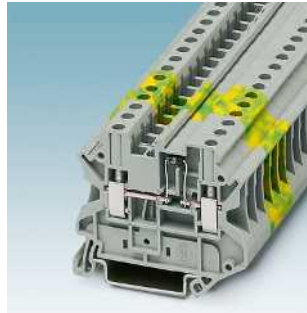
Screw connection high-current and ground terminal blocks
UKH ... Page 30



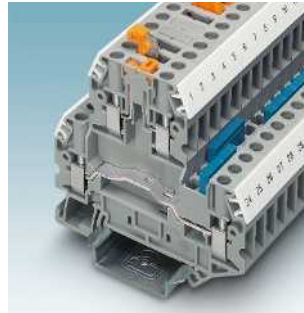
Screw connection three and four-conductor terminal blocks
UT ...-TWIN Page 42
UT ...-QUATTRO Page 44



Screw connection knife disconnect and component terminal blocks
UT ...-TG, UT ...-MT Page 58



Screw connection diode and feed-through terminal blocks of the same shape
UT ...-MTD... Page 62

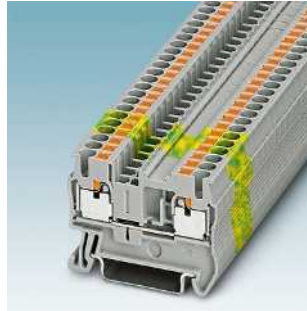


Screw connection double-level disconnect, blade, and component terminal blocks
UTTB ...-TG, UTTB ...-MT Page 66



Screw connection test disconnect terminal blocks
UTME 4 ... Page 68
UTME 6 ... Page 74
URTK 6 ... Page 77

PT push-in connection terminal blocks



Push-in feed-through and ground terminal blocks
PT ... Page 104



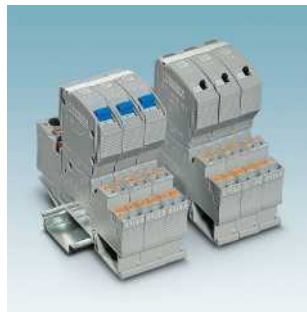
Push-in high-current terminal blocks
PTPOWER 95... Page 109



Push-in high-current terminal block bases
PTPOWER 95...-F Page 110



Push-in fuse terminal blocks
PT 4-HESI ... Page 142
PT 4-FSI ... Page 143



Push-in device circuit breakers
CB ... Page 144



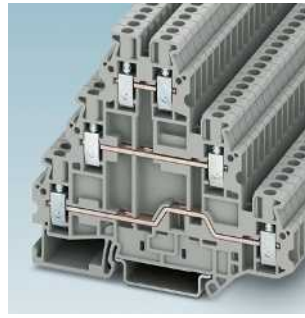
Push-in disconnect, blade, and component terminal blocks
PT ...-TG Page 146
PT ...-MT Page 150



Push-in test disconnect terminal blocks
PTME 4 ... Page 154
PTME 6 ... Page 156



Screw connection double-level terminal blocks
UTTBT ... Page 46



Screw connection three-level terminal blocks
UT 2,5-3... Page 50



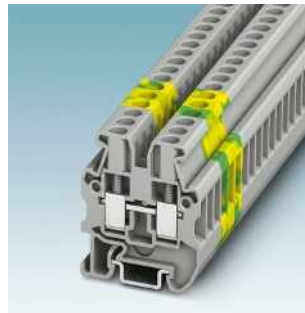
Screw connection lever-type fuse terminal blocks
UT ...-HESI, UT ...-HEDI Page 52



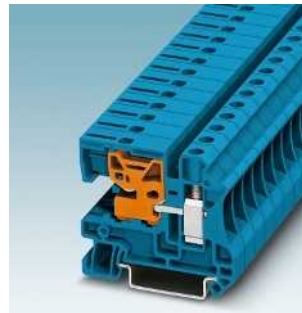
Screw connection device circuit breakers
UT 6-TMC... Page 57



Screw connection double-level diode terminal blocks
UTTBT 2,5-DIO... Page 78



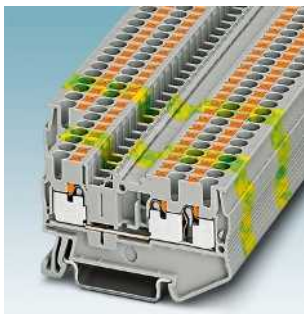
Mini feed-through and ground terminal blocks
MUT ... Page 80



Screw connection neutral disconnect terminal blocks
UTN ... Page 86



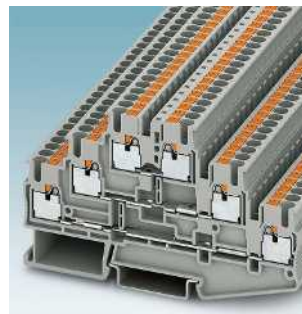
Three-level installation terminal blocks
UTI 2,5... Page 90



Push-in three and four-conductor terminal blocks
PT...-TWIN Page 116
PT...-QUATTRO Page 124



Push-in double-level terminal blocks
PTTB... Page 128



Push-in three-level terminal blocks
PT 1,5/S-3L... Page 134
PT 2,5-3L... Page 136



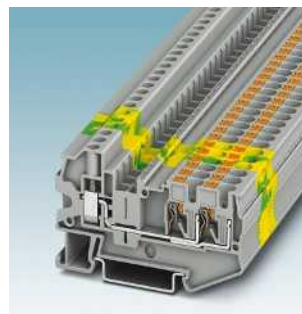
Push-in power terminal blocks
PTIO ... Page 138



Push-in disconnect and diode terminal blocks for photovoltaics
PTME ... HV Page 159



Push-in component terminal blocks
PT...-DIO... Page 160
PTTB 2,5-DIO... Page 162



Hybrid terminal blocks with single-sided screw connection
PTU ...-TWIN Page 164



Hybrid terminal block bases for potential distribution, with single-sided screw connection
PTU 16... Page 166

Product range in pictures

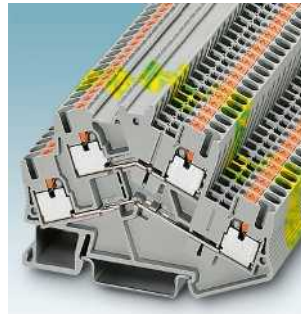
From here, you can access the desired product directly



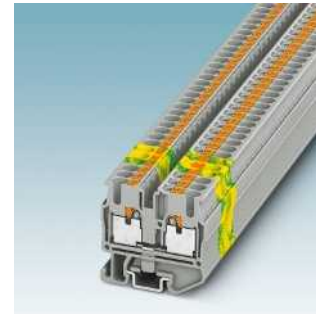
Push-in feed-through and ground terminal blocks, angled design
PTS... Page 168



Push-in three and four-conductor terminal blocks, angled design
PTS ...-TWIN Page 169
PTS...-QUATTRO Page 170



Push-in double-level terminal blocks, angled design
PTTBS... Page 171



Mini feed-through and ground terminal blocks
MPT... Page 176

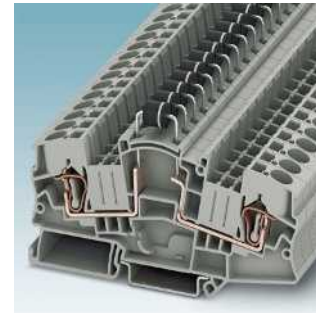
ST spring-cage connection terminal blocks



Spring-cage feed-through and ground terminal blocks
ST ... Page 204
ST ...-TWIN Page 212
ST ...-QUATTRO Page 220

Spring-cage double-level terminal blocks
STTB ... Page 226

Spring-cage three-level terminal blocks
ST 2,5-3L Page 232

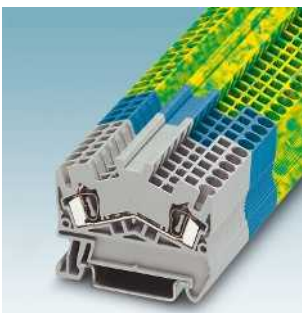


Spring-cage disconnect, blade, and component terminal blocks
ST ...-TG Page 246
ST ...-MT Page 248

Double-level spring-cage disconnect, blade, and component terminal blocks
STTBS ...-TG Page 247
STTBS ...-MT Page 251

Spring-cage test disconnect terminal blocks
STME 6 ... Page 252
STME 6 HV 1000 Page 254

Spring-cage diode terminal blocks
STME 6-DIO... Page 255



Spring-cage feed-through and ground terminal blocks, angled design
STS ... Page 268

Spring-cage three and four-conductor terminal blocks, angled design
STS ...-TWIN Page 272
STS ...-QUATTRO Page 276

Spring-cage double-level terminal blocks, angled design
STTBS ... Page 278

Spring-cage blade, disconnect, and component terminal blocks, angled design
STS ...-TG, STS ...-MT... Page 280

From here, you can access the desired product directly



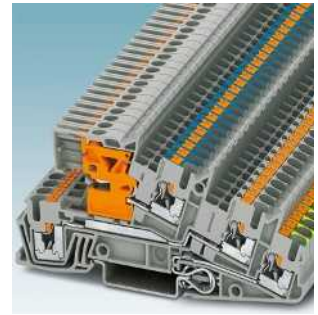
Push-in feed-through installation terminal blocks
PTI ... Page 180



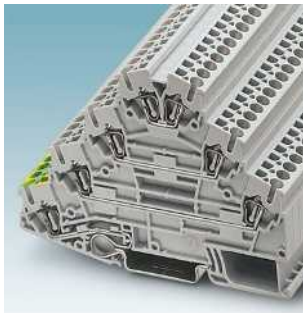
Push-in ground installation terminal blocks
PTI...-PE Page 182



Push-in neutral disconnect terminal blocks
PTN... Page 184



Push-in three-level installation terminal blocks
PTI 2,5 ... Page 186



Spring-cage four-level terminal blocks
ST 2,5-PE/3L Page 235



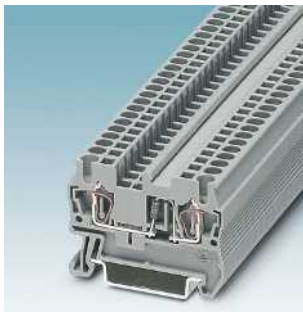
Spring-cage initiator/actuator terminal blocks
STIO ... Page 236



Spring-cage potential, marshalling distributors
ZPV ... Page 240
ZRV ... Page 241



Spring-cage lever-type fuse and lever-type disconnect terminal blocks
ST ...-HESI, ST ...-HEDI Page 242



Spring-cage diode terminal blocks
ST ...-DIO Page 258



Spring-cage double-level diode terminal blocks
STTB ...-DIO Page 260



Spring-cage screw hybrid terminal blocks
STU ... Page 262



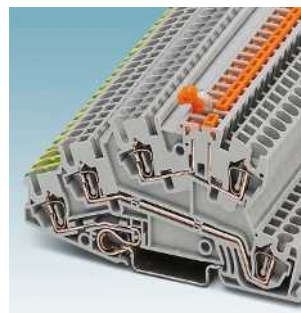
Spring-cage screw hybrid terminal blocks
STU 35/4x10 ... Page 264



Spring-cage neutral disconnect terminal blocks
STN ... Page 286



Spring-cage three-level installation terminal blocks
STI 2,5 ... Page 288



Spring-cage three-level installation terminal blocks
STI 2,5-PE/LTB Page 291

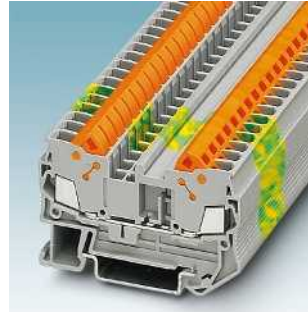


Mini spring-cage terminal blocks with vertical conductor exit
MSB 2,5 ... Page 294
Mini spring-cage terminal blocks with horizontal conductor exit
MSBV 2,5 ... Page 300

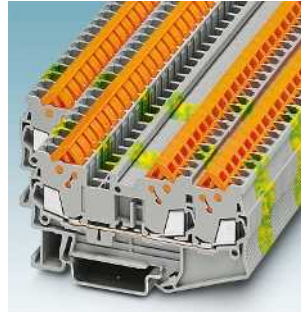
Product range in pictures

From here, you can access the desired product directly

QT fast connection terminal blocks



Fast connection feed-through and ground terminal blocks
QTC ... Page 308

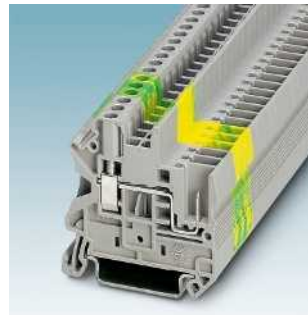


Fast connection three and four-conductor terminal blocks
QTC...-TWIN Page 309
QTC...-QUATTRO Page 309



Fast connection double-level and double-level diode terminal blocks
QTTCB ... Page 312

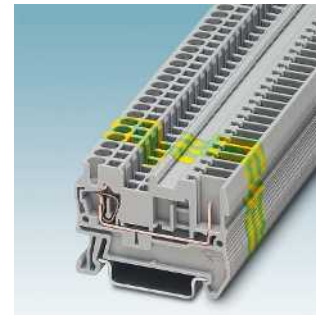
COMBI plug-in connection solutions



Plug-in terminal blocks with screw connection
UT-COMBI ... Page 336



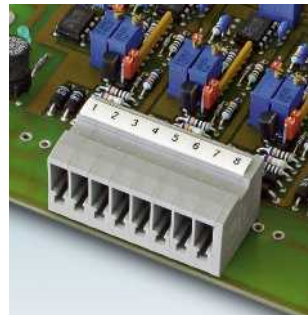
Plug-in terminal blocks with push-in connection
PT-COMBI ... Page 348



Plug-in terminal blocks with spring-cage connection
ST-COMBI ... Page 376



Plug-in panel feed-through with spring-cage connection
SSL 2,5 Page 405



Plug-in base strip for PCB connection
ST ...-PCB ... Page 406



Assembled COMBI plugs with screw connection
UP ... Page 408



COMBI plugs with screw connection for self-assembly
UP ...1-L Page 410



Assembled COMBI plugs with fast connection
QP ... Page 424



COMBI plugs with fast connection for self-assembly
QP ...1-L Page 425



Latching
PR ..., UPR ... Page 428



Latching and strain relief
PR ..., PRZ ... Page 429

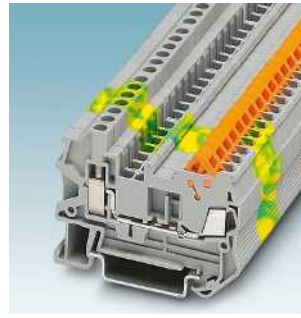
From here, you can access the desired product directly



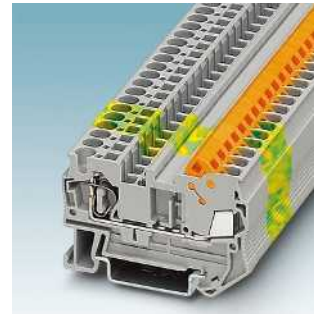
Fast connection lever-type fuse terminal blocks
QTC 2,5-HESI, QTC 2,5-HEDI Page 314



Fast connection disconnect, blade, and component terminal blocks
QTC ...-TG, QTC ...-MT Page 316



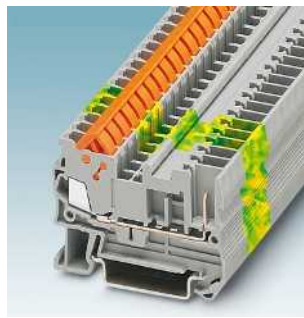
Fast connection screw hybrid terminal blocks
QTCU ... Page 320



Fast connection spring-cage hybrid terminal blocks
QTCs ... Page 324



Plug-in terminal blocks, PIN/PIN versions
ST .../2P, ST ...-QUATTRO/4P Page 360



Plug-in terminal blocks with fast connection
QT-COMBI ... Page 390



Plug-in coupling with push-in connection
PPC ... Page 392



Plug-in coupling with push-in connection for self-assembly
PPC .../1-L Page 394



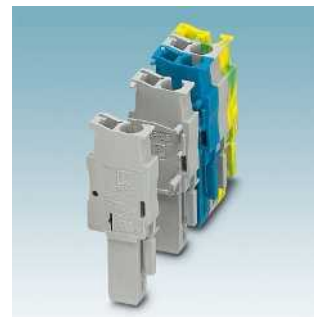
Assembled COMBI plugs with push-in connection
PP-H ... Page 412



COMBI plugs with push-in connection for self-assembly
PP-H .../1-L Page 414



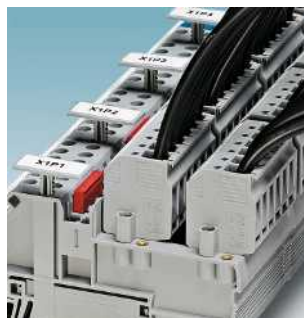
Assembled COMBI plugs with spring-cage connection
SP ... Page 416



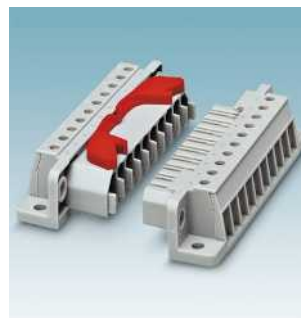
COMBI plugs with spring-cage connection for self-assembly
SP .../1-L Page 420



Cable housing for COMBI plugs
PH ... Page 432



Self-locking flange covers
DFS ... Page 435
Screw flange and flange cover
UP ...-F Page 436



High-current plug-in connectors
HCC ... Page 438

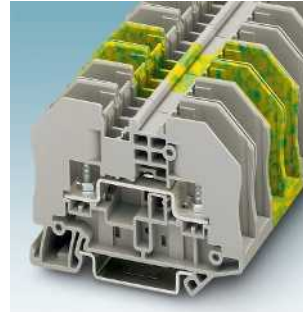
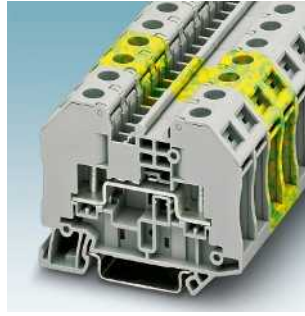
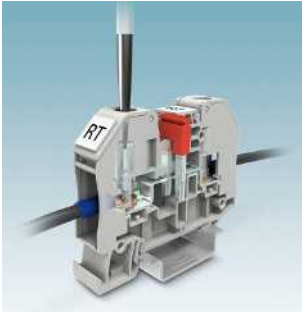


DIN-rail-mountable plug-in blocks
PCVK ... Page 441

Product range in pictures

From here, you can access the desired product directly

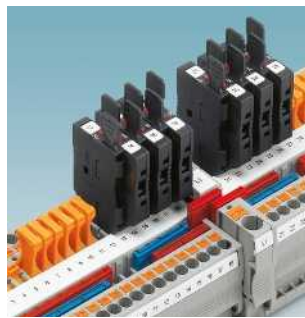
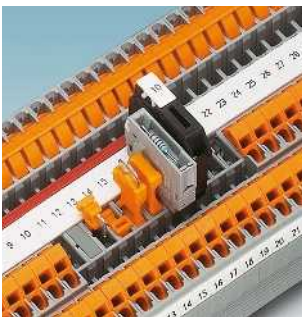
RT bolt connection terminal blocks



Bolt connection feed-through and disconnect terminal blocks
RT ... Page 452

Bolt connection feed-through and disconnect terminal blocks, open design
RTO ... Page 456

Single-bolt terminal blocks
HV M ... Page 461

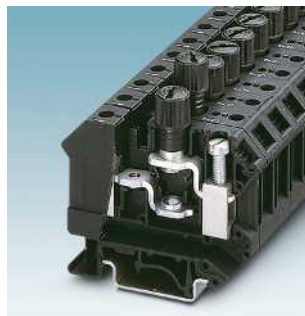


Isolating and component plugs
P... Page 480

Fuse plugs
P-FU...-5 Page 483

Marker carriers/warning labels
STP ... Page 484
For end clamps and DIN rails, see Catalog 5

Universal

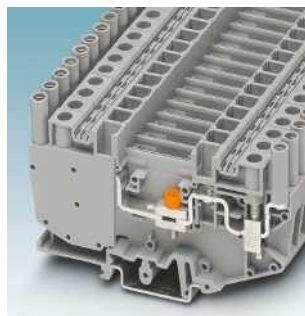
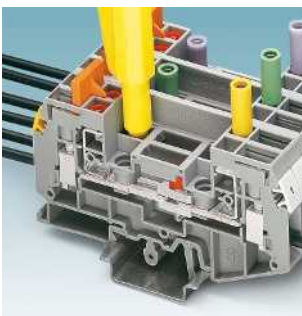


Lever-type fuse terminal blocks
UK 5-HESI N Page 524

Screw cap fuse terminal blocks
UK ...-DREHSI Page 530

Fuse terminal blocks for NEOZED® and DIAZED® fuse inserts
USEN ... Page 540

Basic terminal block for isolating and component plugs
UK ...-TG Page 542



Common mode and cross connection terminal blocks
URTK 6 Page 559

Test disconnect terminal blocks
URTK/SP Page 561

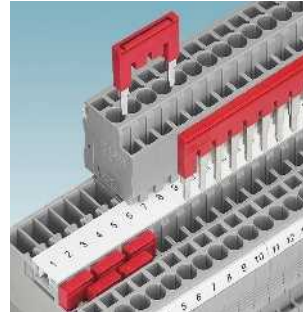
Double-level diode terminal blocks
UKK ...-DIO Page 562

Thermoelectric voltage terminal blocks
MTKD ... Page 566

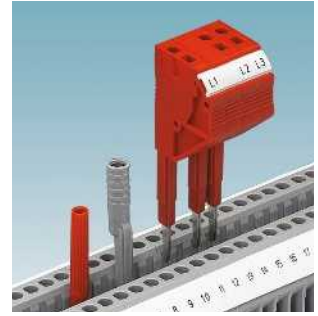
Accessories



High-current connectors
UHV ... Page 464



Plug-in bridges
FBS ... Page 472

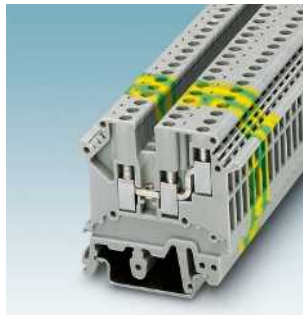


Test accessories
PS ..., MPS ..., PAI ... Page 478

UK modular terminal blocks, SK shield connection clamps



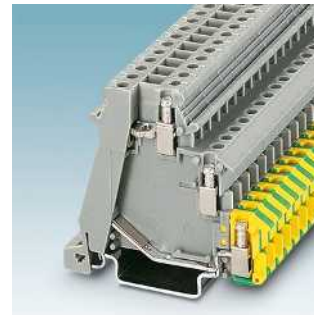
Feed-through and ground terminal blocks
UK ..., USLKG ... Page 492



Three and four-conductor terminal blocks
UK ...-TWIN Page 500
UDK ... Page 504



Double-level terminal blocks
UKK ... Page 506



Initiator/actuator terminal blocks
DIK ..., DOK ..., VIOK ... Page 514



Fuse, isolating, and component plugs
ST-BE, BES 6 Page 544



Knife disconnect terminal blocks
MTK ... Page 548
UK ...MTK Page 549



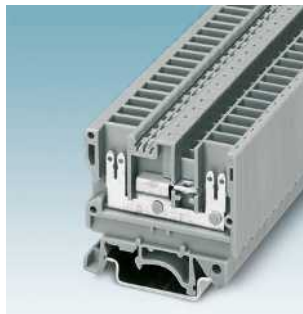
Double-level knife disconnect terminal blocks
UKK ...MTK Page 550



Cross connection terminal blocks
UGSK/S Page 553



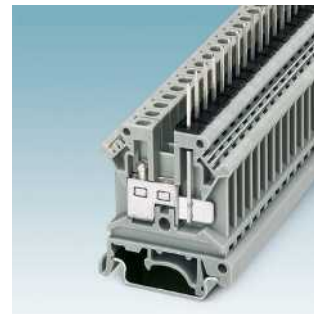
Ground disconnect terminal blocks
GTF 76 Page 567



Terminal blocks with spade connection
UVKB 4-FS/FS ... Page 568



Terminal blocks with solder connection
UK ...-LOER Page 574



Terminal blocks with TERMI-POINT® connection
UK ...-TP Page 576

Product range in pictures

From here, you can access the desired product directly



Marshalling distributors

RV ...

Page 578



Screw connection terminal blocks

UIK ...

Page 580



Screw connection ground terminal blocks

UISLKG ...

Page 582



Neutral disconnect terminal blocks

UKN ...

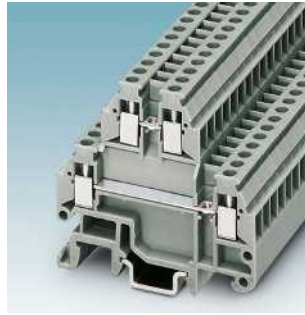
Page 583



Micro/mini terminal blocks

MT 1,5 ...

Page 602



Micro/mini terminal blocks

MTTB 1,5 ...

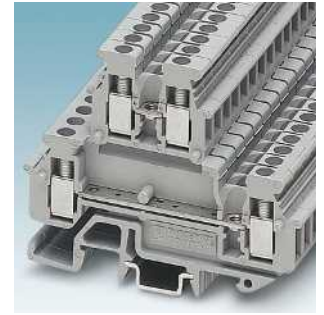
Page 605



Mini strip terminal blocks

MBK ...

Page 608



Double-level mini terminal blocks

MBKKB ...

Page 610



Bolt connection terminal blocks for DIN rail mounting

RSC ... Page 626

Bolt connection terminal blocks for direct mounting

RSC ...-F Page 627



Device terminal blocks

G ..., GE ...

Page 630



Trunk line branch terminals

UDB 2X...

Page 634



Test plugs for UK series

PS ...

Page 636



Shielded supports for neutral busbars

AB-SK ..., AB/SS ...

Page 646



Double supports

AB-SK 65-D ...

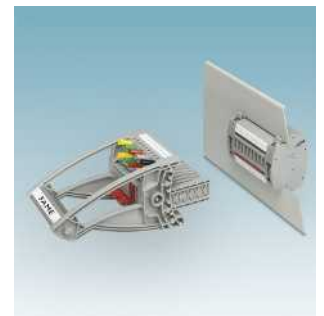
Page 648



Supports for direct mounting

AB ...

Page 650



Measuring transducer blocks

UTWE ...

Page 662

Sector-specific solutions

From here, you can access the desired product directly



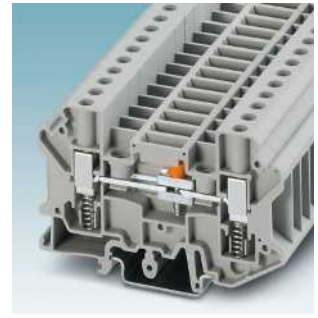
Three-level installation terminal blocks
PIK ... Page 586



Ceramic terminal blocks
SSK ... Page 592



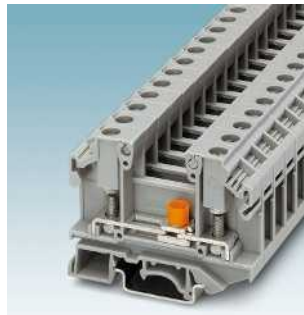
Spring-assisted screw terminal blocks
USST ... Page 596



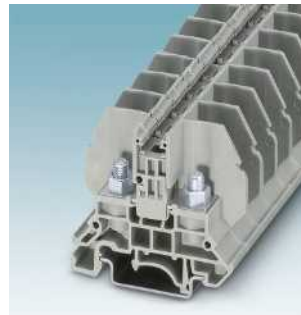
Spring-assisted disconnect terminal blocks
USST-T ... Page 600



Bolt connection terminal blocks for DIN rail mounting
OTTA ... Page 613



Bolt connection terminal block with disconnect function
OTTA 6-T Page 616



Bolt connection terminal blocks for DIN rail mounting
RBO ... Page 618
Bolt connection terminal blocks for direct mounting
RBO ...-F Page 619



Bolt connection terminal blocks with covering hood
RBO ...-HC Page 625



Test plugs for UK series
MPS ... Page 478
PS-UK ... Page 639



Warning labels
WS ... Page 641



Shield connection clamps
SK ... Page 642



Shield connection clamps
SKS ... Page 645

Services: terminal strips, control boxes

Planning and marking software



Rotary switches
RS20-US ... Page 677



Service
Page 695



Terminal strips, control boxes
Page 700



Planning and marking software
CLIP PROJECT Page 702



CLIPLINE complete system features

With CLIPLINE complete, the unique modular terminal block system from Phoenix Contact, you can freely select the connection technology. The following connection methods are available:

- Universal UT screw connection
- Simple PT push-in connection
- Compact ST spring-cage connection
- Fast QT QUICKON connection
- COMBI plug-in connection solutions
- Robust RT bolt connection

Irrespective of which connection technology you choose, they can all be freely combined, with the same accessories, thanks to the double function shaft.

In addition to the flexibility of this modular terminal block system, CLIPLINE complete also provides added value. The bridging, marking, and test accessories are standardized and can reduce your logistics and storage costs.

The CLIPLINE complete modular terminal block system has been tested and approved for a wide range of national and international approvals. The maximum level of safety in these standards is achieved by routine testing of the standard CLIPLINE complete modular terminal blocks according to the ATEX Directive. They can also be used in the Ex e area.

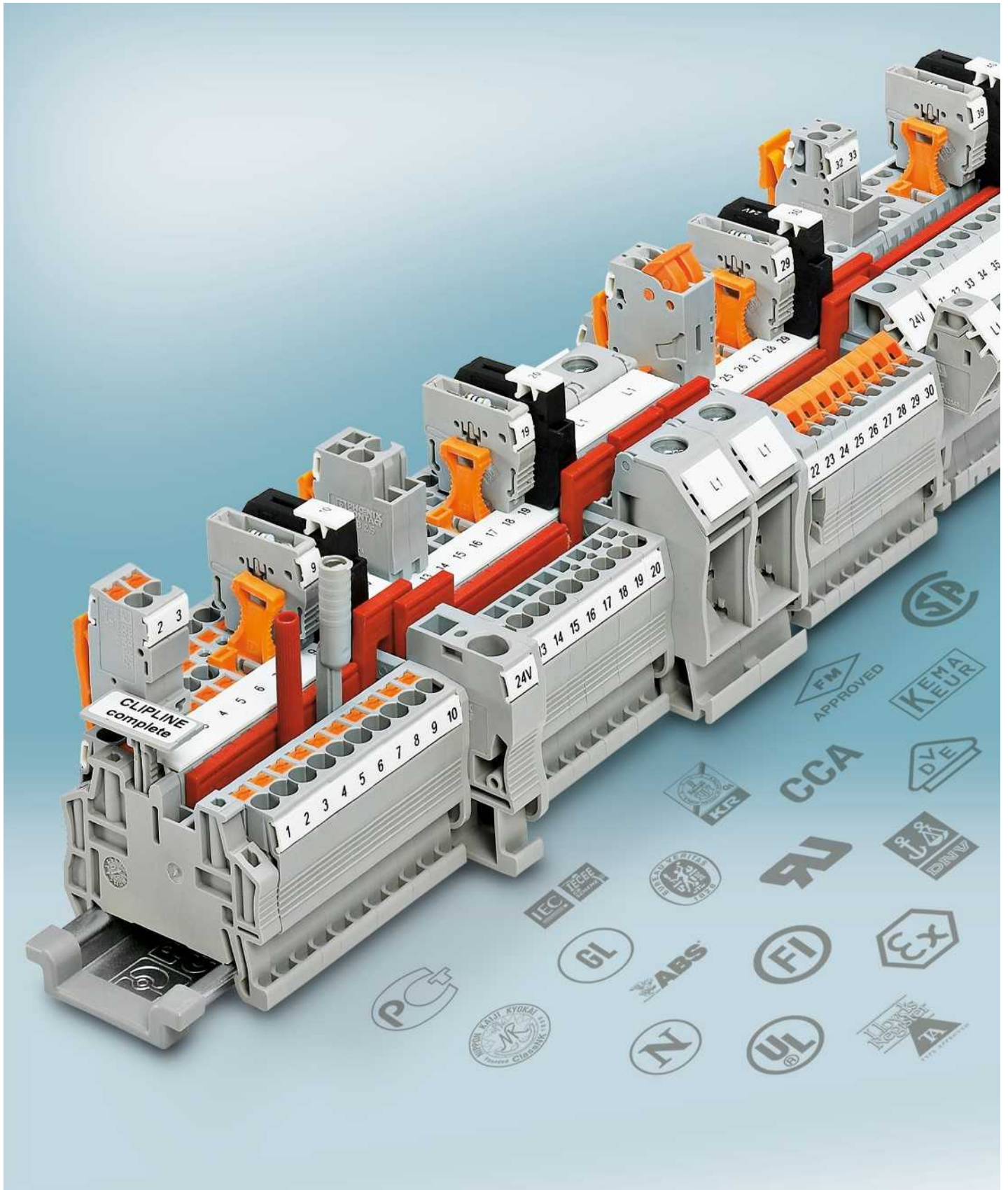
Product range overview

System features

14

CLIPLINE complete

All connection technologies, one system



General

The CLIPLINE complete system offers you a uniform range of accessories for all connection technologies. Marking and test accessories are standardized and reduce logistics costs. In addition, all modular terminal blocks in the CLIPLINE complete system can be freely combined with each other using the double function shaft. The standardized plug-in zone of the COMBI basic terminal blocks also allows the connection of modules via individually configurable plugs, regardless of the connection technology.

CLIPLINE complete modular terminal blocks with screw, spring-cage, push-in, bolt, and plug-in connections enable you to respond flexibly to the demands of your customers anywhere in the world.

Flexible plug-in bridge system

One plug-in bridge for all connection technologies. To allow fast and individual potential distribution, the terminal blocks in the CLIPLINE complete system have two function shafts. These are arranged in one line over all the terminal blocks, allowing for a combination of connection technologies. The 2 to 50-pos. plug-in bridges make it possible to implement all the tasks of potential bridging within a very short time. Reducing bridges connect, for example, UT screw terminal blocks and ST spring-cage terminal blocks.

The plug-in switching jumpers make contact by being securely latched into the function shaft. They create a removable connection between neighboring terminal blocks.

Plug-in connection solutions

The COMBI plug-in system enables the time-saving and modular configuration of your application. Like the modular terminal blocks, the COMBI plugs are available with screw, spring-cage, push-in, and fast connection technologies.

The nominal data of up to 41 A and 1000 V has made a plug-in system for signal and power wiring possible. The system meets the most stringent of vibration requirements. Both the terminal blocks and the plugs are touch proof.

Extensive accessories from latching right up to shield connection are available.

Multifunctional disconnect zone

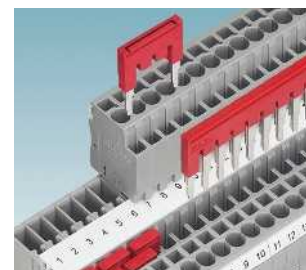
All disconnect terminal blocks in the CLIPLINE complete system have a standardized disconnect zone. Various function plugs are available for use in the disconnect terminal blocks. Isolating plugs are used for simple disconnection. The fuse plugs are designed for the use of cartridge fuse inserts. The patented component plug allows you to mount components quickly, without the risk of polarity reversal, and without the need for soldering.

Large-surface labeling

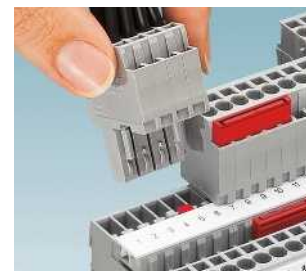
All the terminal points of the terminal blocks in the CLIPLINE complete system have large-surface labeling options. This is a precondition for clear wiring and startup and simplifies assignment during testing and maintenance work. Optional snap-on large marker carriers are available for group and terminal strip labeling.

Standardized test system

A comprehensive range of test accessories is available in the CLIPLINE complete system. All test plugs make contact in the freely accessible function shaft. A test plug with a 2.3 mm diameter is available for individual measuring lines. More complex testing tasks can be implemented using the modular test plug. The corresponding spacers can be used to assemble individual test adapters perfectly suited for use in test laboratories.



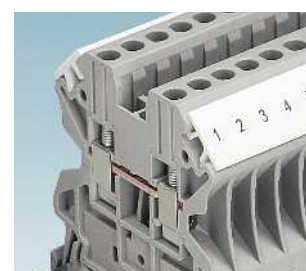
Bridging



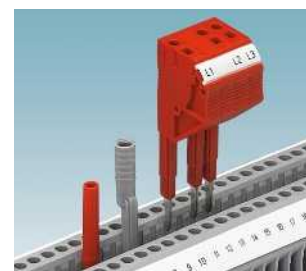
Connecting



Disconnecting

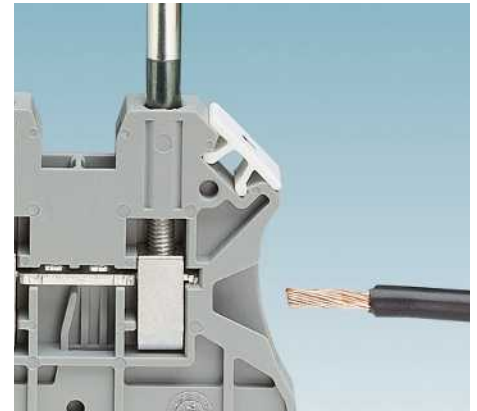
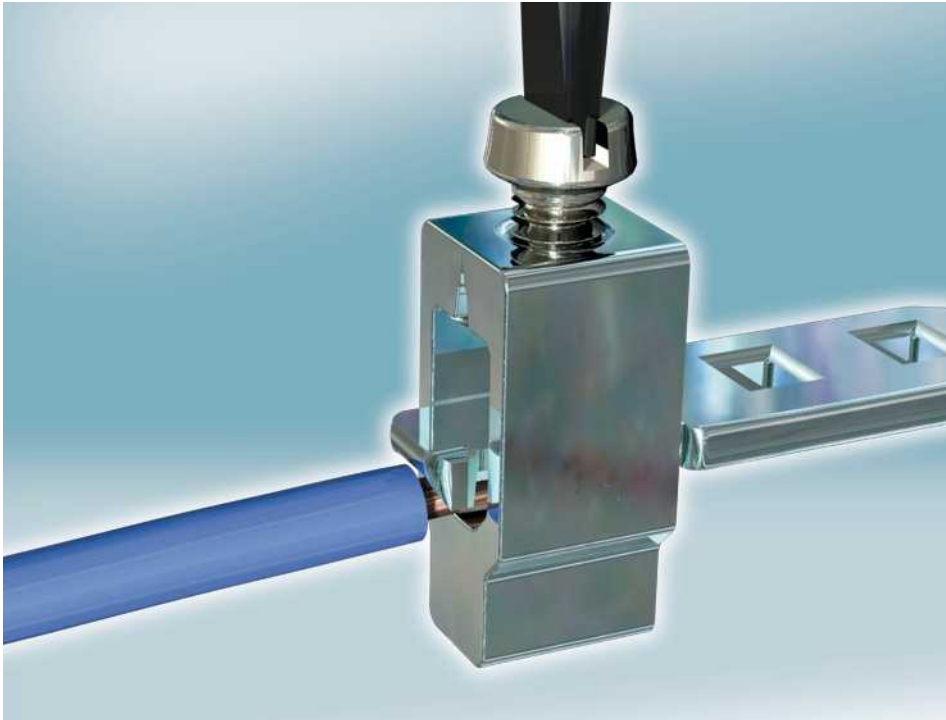


Labeling



Testing

System features - screw connection



Material properties

The metal parts of the UT screw connection terminal blocks are made from high-grade, strain-crack, and corrosion-proof copper alloys as a standard feature. This eliminates the possibility of electrolytic corrosion in the presence of moisture and the risk of rusting. The consequences, such as unreliable electrical contacts and/or jammed screws, are also prevented. Another advantage is the low temperature rise due to good electrical conductivity. The surface of the metal parts is protected by lead-free, galvanic nickel or tin plating.

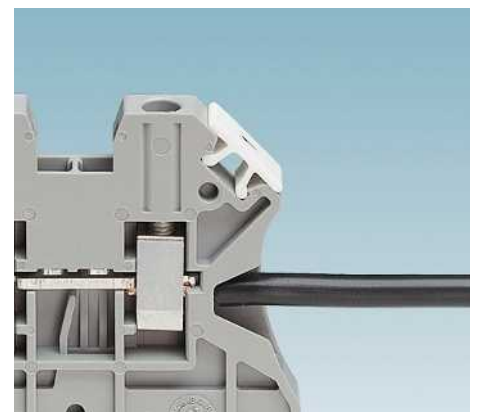
The insulating housing of the UT screw connection terminal blocks is made from recyclable PA 6.6. This elastic plastic with high impact strength is halogen-free and UV resistant. Further characteristics include the good tropical and termite resistance, high chemical resistance, and excellent aging characteristics. Polyamide 6.6 can be used with operating temperatures up to 130°C and is certified for inflammability class V0 in accordance with UL 94.

Connection principle

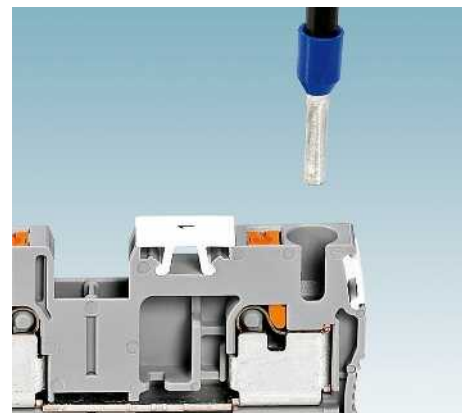
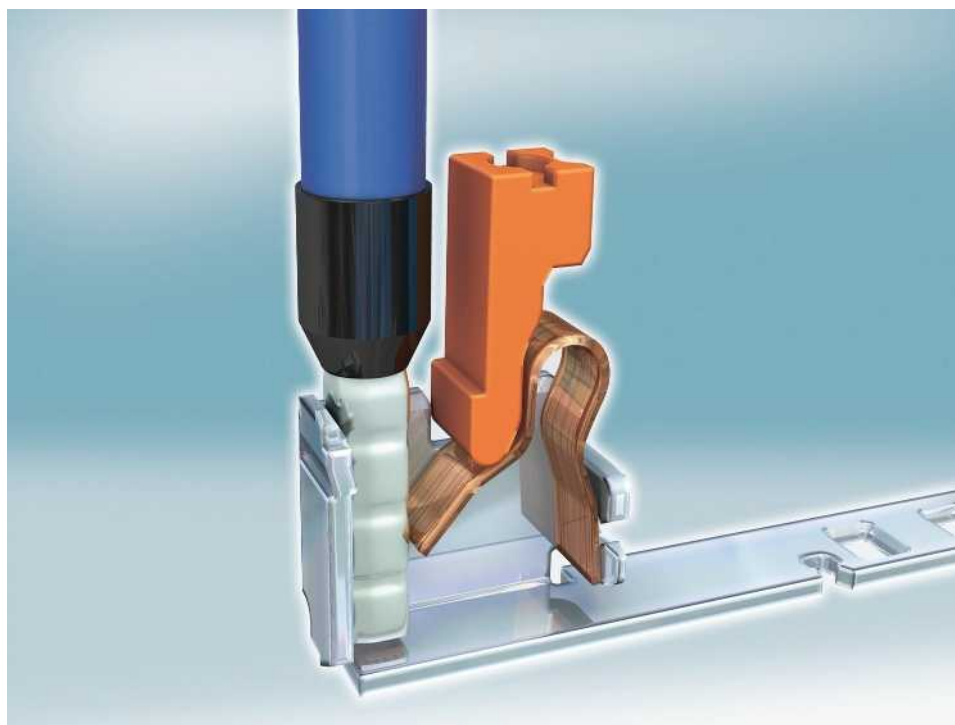
UT screw connection terminal blocks are designed for the most stringent requirements. For more than 80 years, they have proven themselves a billion times over in all applications. An important characteristic is the maintenance-free conductor connection. There is no need to tighten the terminal block screws. The screws are prevented from loosening by the Reakdyn principle, a screw locking technique developed by Phoenix Contact.

Phoenix Contact UT screw connection terminal blocks can be clamped without any pretreatment. Splicing protection can also be implemented in the form of ferrules. A special characteristic of the screw clamping body is the multi-conductor connection, which is often required.

Very large conductor cross sections up to 240 mm² can also be wired gas-tight and with long-term stability thanks to the high contact forces.



System features - push-in connection



Material properties

All metal parts of the push-in terminal blocks are made from corrosion-free materials. The conductive metals are made from high-grade copper alloys. A particular advantage is the low temperature rise due to good electrical conductivity. The surface is protected by lead-free, galvanic nickel or tin plating.

The contact force for the push-in connection is applied by a leg spring made of high-strength chromium-nickel spring steel.

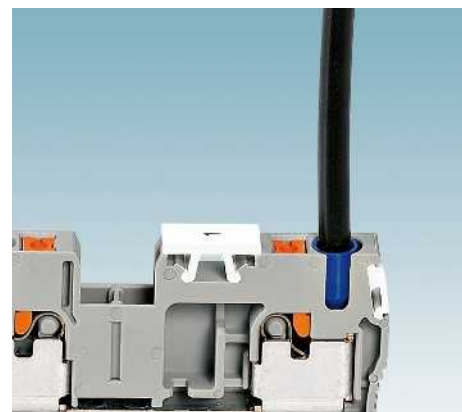
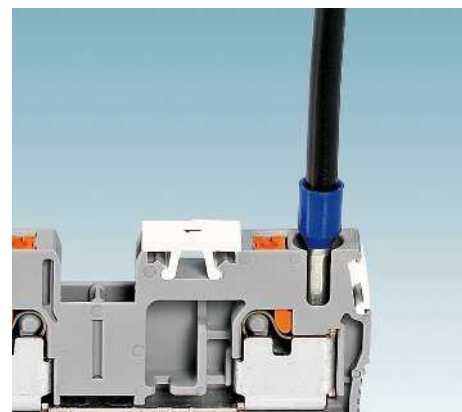
The insulating housing of the terminal blocks is made from recyclable PA 6.6. This elastic plastic with high impact strength is halogen-free and UV resistant. Further characteristics include the good tropical and termite resistance, high chemical resistance, and excellent aging characteristics. Polyamide 6.6 can be used with operating temperatures up to 130°C and is certified for inflammability class V0 in accordance with UL 94.

Connection principle

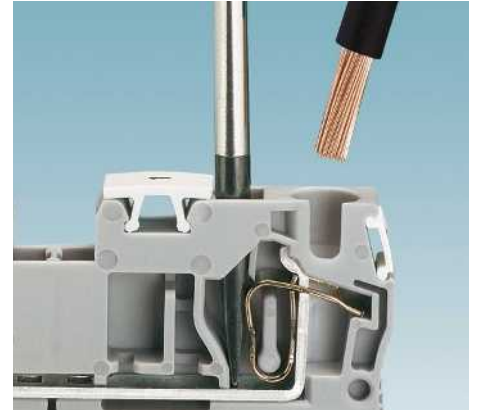
PT push-in connection terminal blocks have been developed for direct conductor connection. This means that solid conductors or conductors with ferrules can be inserted directly into the terminal block without tools.

The special spring profile enables the easy insertion of conductors with ferrules from 0.34 mm² to 95 mm². The contact spring is opened automatically when the conductor is pushed in and thereby provides the required pressure force against the current bar. Both for releasing conductors and connecting small cross sections from 0.14 mm², the spring is opened by means of the actuation lever – easily and without direct contact with live parts. The actuation lever can be operated with all standard screwdrivers.

The PT connection technology has been tested and approved for a wide range of approvals. These include, for example, vibration resistance according to railway standard EN 50155 and shock and corrosion resistance according to current shipbuilding registers. It is also certified for process engineering in areas with increased safety (Ex e).



System features - spring-cage connection



Material properties

All metal parts of the spring-cage terminal blocks are made from corrosion-free materials. The conductive metals are made from high-grade copper alloys. A particular advantage is the low temperature rise due to good electrical conductivity. The surface is protected by lead-free, galvanic nickel or tin plating.

The contact force for the spring-cage connection is applied by a spring element made from high-strength chromium-nickel spring steel.

The insulating housing of the spring-cage terminal blocks is made from recyclable PA 6.6. This elastic plastic with high impact strength is halogen-free and UV resistant. Further characteristics include the good tropical and termite resistance, high chemical resistance, and excellent aging characteristics. Polyamide 6.6 can be used with operating temperatures up to 130°C and is certified for inflammability class V0 in accordance with UL 94.

Connection principle

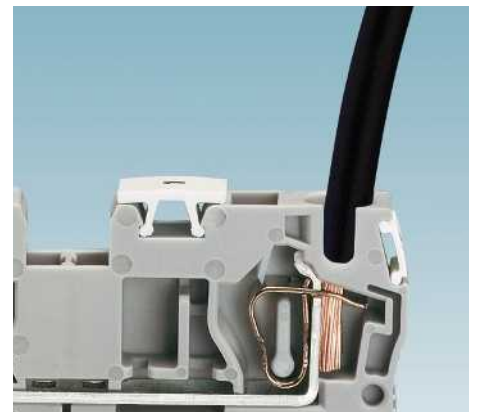
ST spring-cage terminal blocks have been developed for universal spring-loaded conductor contacting.

The contact force is independent of the user and creates a vibration-proof, gas-tight connection with long-term stability.

The terminal point is opened with a standard screwdriver. After the conductor has been inserted into the clamping space, the screwdriver is removed and the conductor automatically makes contact. The easy operation is a result of the front connection, i.e., the conductor and screwdriver come in parallel from the same direction.

All kinds of copper conductors up to 35 mm² can be clamped without any pretreatment. Splicing protection can also be implemented in the form of ferrules.

Phoenix Contact spring-cage terminal blocks offer a large insertion space, i.e., conductors with ferrules and insulating collars and with a nominal cross section can also be wired.



System features - fast connection



Material properties

The patented contact metals of the QT fast connection terminal blocks are made from a special, high-grade copper alloy. This combines good electrical conductivity with excellent elastic characteristics.

The surface of the metal parts is protected by lead-free, galvanic nickel or tin plating.

The insulating housing of the fast connection terminal blocks is made from recyclable PA 6.6. This elastic plastic with high impact strength is halogen-free and UV resistant.

Further characteristics include the good tropical and termite resistance, high chemical resistance, and excellent aging characteristics. Polyamide 6.6 can be used with operating temperatures up to 130°C and is certified for inflammability class V0 in accordance with UL 94.

Connection principle

QT QUICKON modular terminal blocks are designed for fast conductor connection. There is no need to strip or implement splicing protection; the cables simply need to be cut to length for contact to be made in a matter of seconds.

An important characteristic is the space-saving connection. Due to the simplicity of the connection, the wiring time is reduced by up to 60 percent.

A standard screwdriver is used to operate the terminal blocks and the switching states are clearly signaled by engagement points in the start and end position.

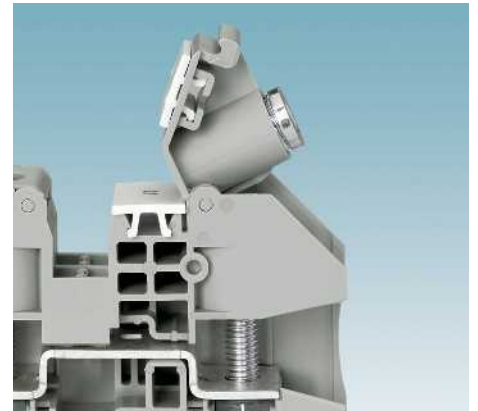
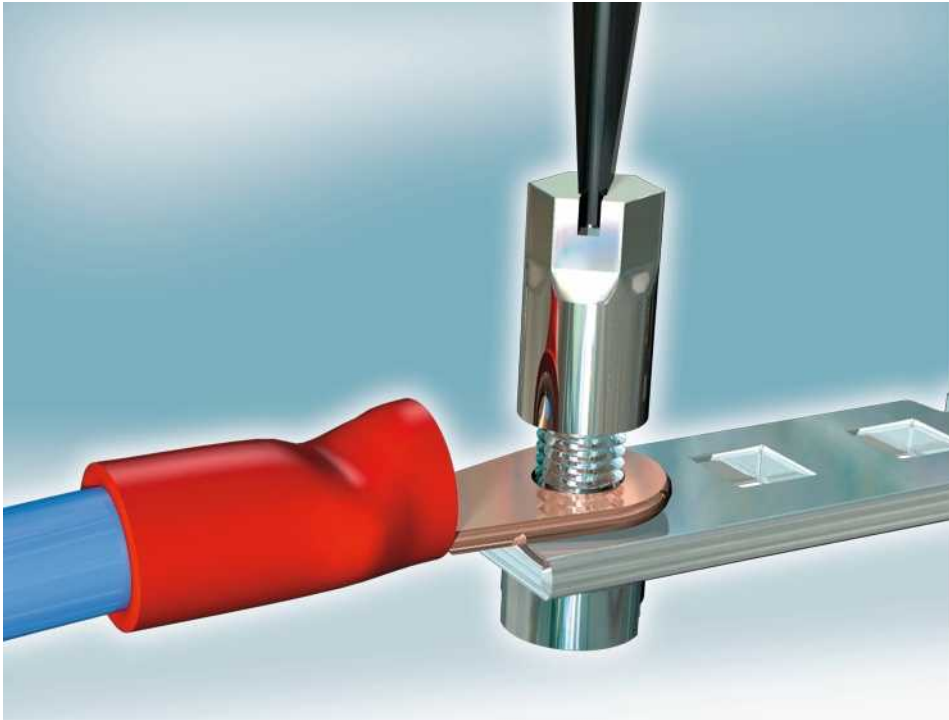
Solid and stranded conductors from 0.25 to 2.5 mm² can be wired without aids such as guide ferrules.

When a conductor is connected, the conductor insulation is cut open, displaced, and the conductor is securely engaged in the end position where it makes extensive, gas-tight contact.

The high quality of the QUICKON fast connection is verified by the fact that this connection is certified in accordance with the standard for Ex e applications, as are the screw and spring-cage connections.



System features - bolt connection



Material properties

All metal parts of the bolt connection terminal blocks are made from corrosion-free materials. The conductive metals are made from high-grade copper alloys. Due to their good electrical conductivity, they ensure a low temperature rise. The surface is protected by lead-free, galvanic nickel or tin plating.

The insulating housing of the bolt connection terminal blocks is made from recyclable PA 6.6. This elastic plastic with high impact strength is halogen-free and UV resistant. Further characteristics include the good tropical and termite resistance, high chemical resistance, and excellent aging characteristics.

Polyamide 6.6 can be used with operating temperatures up to 130°C and is certified for inflammability class V0 in accordance with UL 94.

Connection principle

RT bolt connection terminal blocks have been developed with a robust design and offer convenient wiring for ring cable lugs.

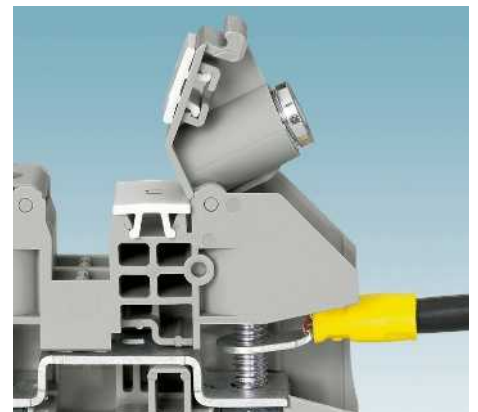
An important characteristic is the folding wing which can be swung up and which features a captive cap nut. This ensures quick and easy ring cable lug wiring.

The integrated screw locking in the form of a spring retainer guarantees safe use, even in applications which are subject to shock and vibration.

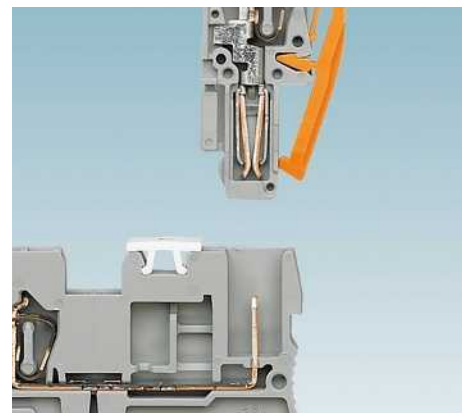
All ring cable lugs which comply with DIN 46234, DIN 46235 or DIN 46237 can be connected.

A special characteristic of the bolt connection is the often required multi-conductor connection, on which up to four cable lugs can be connected per bolt.

All kinds of conductors up to 240 mm² can be wired securely and with long-term stability.



System features - plug-in connection



Material properties

All metal parts of the COMBI plug-in connectors are made from corrosion-free materials. The distinction between the electrical and mechanical functions is a particular advantage. The conductive metals are made from high-grade copper alloys. The surface is protected by lead-free, galvanic nickel or tin plating. The high current carrying capacity of the contact is achieved by an integrated covering spring made of chromium-nickel spring steel.

The insulating housing of the COMBI plug-in connectors is made from recyclable PA 6.6. This elastic plastic with high impact strength is halogen-free and UV resistant. Further characteristics include the good tropical and termite resistance, high chemical resistance, and excellent aging characteristics.

Polyamide 6.6 can be used with operating temperatures up to 130°C and is certified for inflammability class V0 in accordance with UL 94.

Connection principle

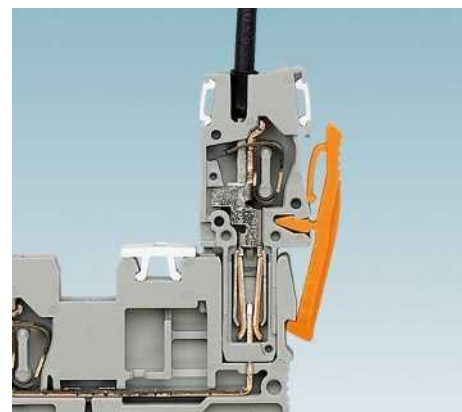
COMBI plug-in connections are designed for the most stringent universal demands in terms of plug-in capability. Here the nominal current of the connected conductor can be carried through the plug-in contact.

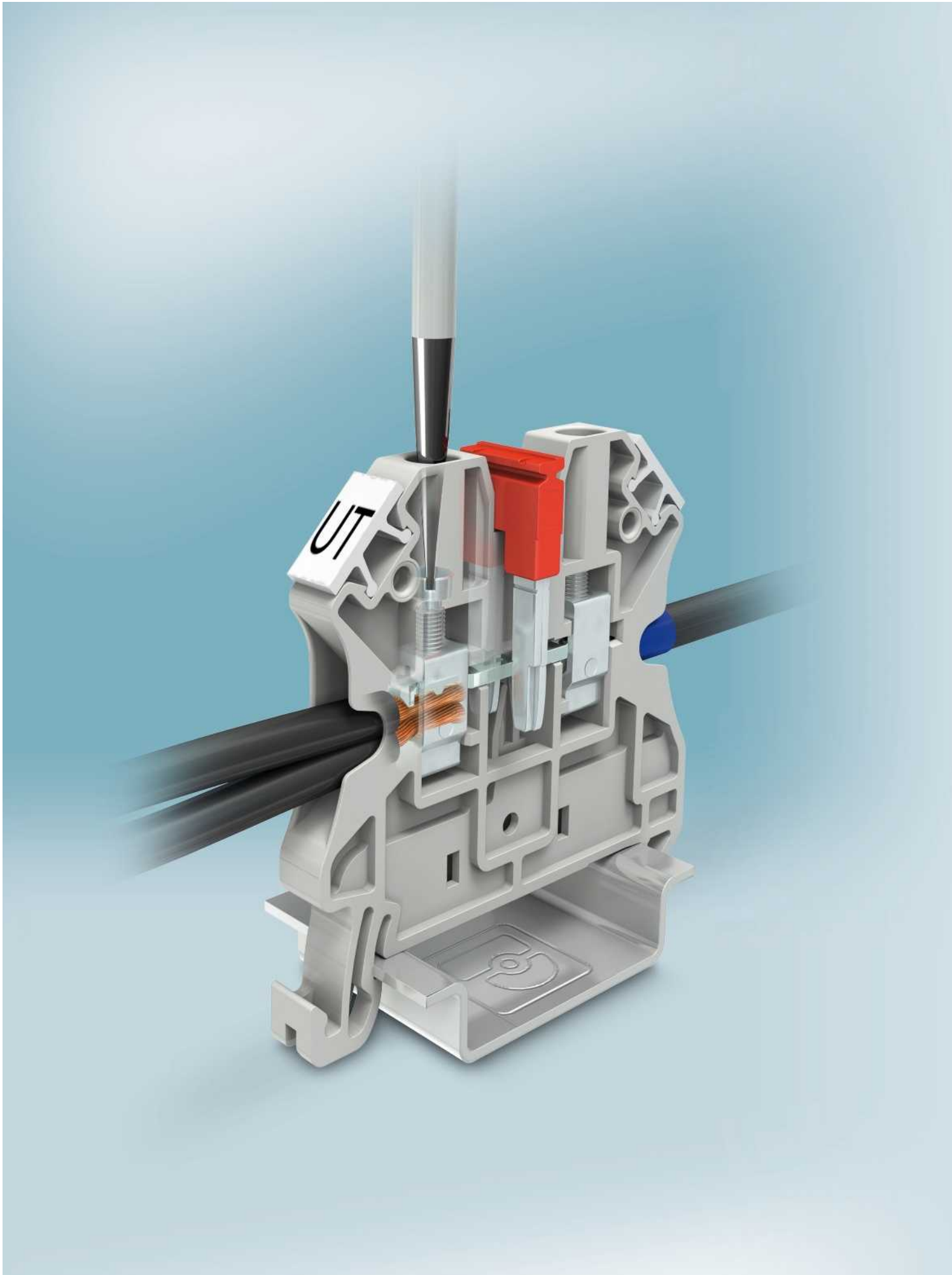
The uniform plug-in zone is an important characteristic. Plug-in connectors and basic terminal blocks with four connection technologies can be freely combined with each other, thanks to the uniform plug-in zone.

The modular structure also enables individual self-assembly of the plugs and the couplings.

All kinds of copper conductors can be connected without any pretreatment. Splicing protection can also be implemented in the form of ferrules.

COMBI plug-in connectors with all connection technologies offer a large insertion space, i.e., conductors with ferrules and insulating collars and with a nominal cross section can also be wired.





UT screw connection terminal blocks

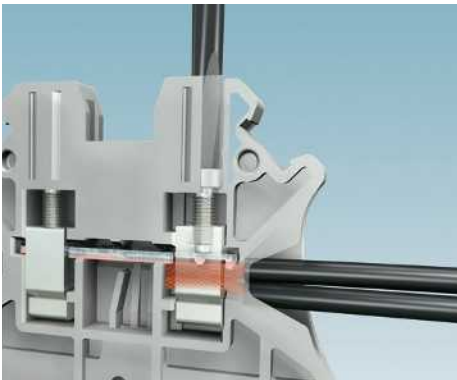
The UT screw connection terminal blocks from the CLIPLINE complete system meet the most stringent requirements and cover a wide area of application. They impress with their maintenance-free conductor connection and offer maximum flexibility with their multi-conductor connection. You can connect conductors with a nominal cross section either with or without ferules. It is not necessary to tighten the terminal block screws, since they are prevented from loosening by the Reakdyn principle, a screw locking technique developed by Phoenix Contact. Even the largest conductor cross sections of up to 240 mm² can be wired gas-tight and with long-term stability thanks to the high contact forces.

Product range overview

UT screw connection terminal blocks	24
Feed-through terminal blocks	26
High-current terminal blocks	30
High-current terminal block bases	34
Ground terminal blocks	38
Feed-through and PE terminal blocks with 3 connections	42
Feed-through and PE terminal blocks with 4 connections	44
Double-level terminal blocks	46
Three-level terminal blocks	50
Lever-type fuse and disconnect terminal blocks	52
Lever-type fuse and function terminal blocks with PE foot	54
Thermomagnetic circuit breakers	57
Disconnect terminal blocks for accommodating function plugs	58
Knife disconnect terminal blocks	60
Feed-through and component terminal blocks of the same shape	62
Double-level knife disconnect terminal blocks	66
Test disconnect terminal blocks	69
Plug-in test disconnect terminal blocks	70
Plug-in test disconnect terminal blocks with automatic short-circuit function	73
Test disconnect terminal blocks and slide-type terminal blocks	76
Double-level diode terminal blocks	78
Mini feed-through and ground terminal blocks	80
UTI screw connection installation terminal blocks	82
Installation terminal blocks	84
Ground terminal blocks	85
Installation neutral conductor disconnect terminal blocks	86
Three-level installation terminal blocks	90
L/N/PE connection terminal blocks	94
Neutral busbar, power/pick-off terminal blocks	96

Modular terminal blocks - CLIPLINE complete

UT screw connection terminal blocks



Universal and zero-maintenance

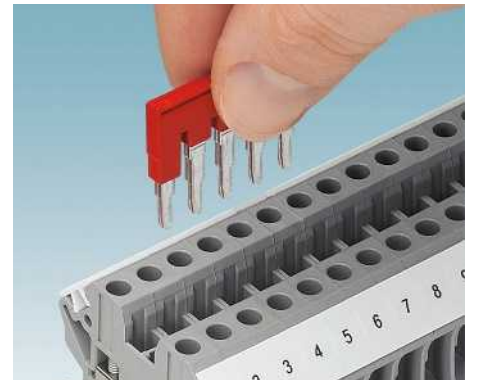
The screw connection is characterized by three main features.

- Global standard
- Multiple conductor connection
- Zero maintenance thanks to Reakdyn principle



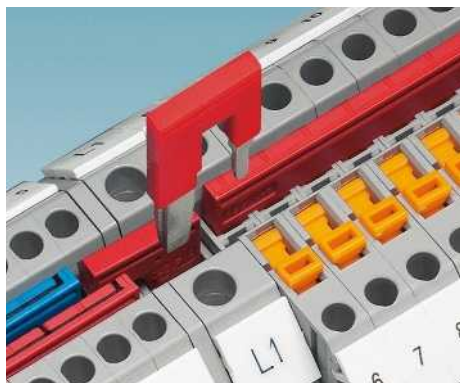
Snap-on PE foot

Ground terminal blocks of the same shape are simply snapped onto the DIN rail in order to make contact. This mechanically and electrically efficient contacting meets all the requirements of standard IEC 60947-7-2.

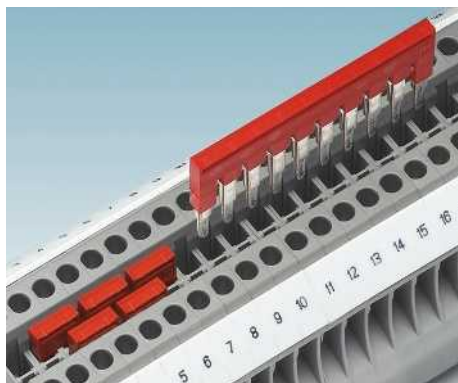


Flexible plug-in bridge system

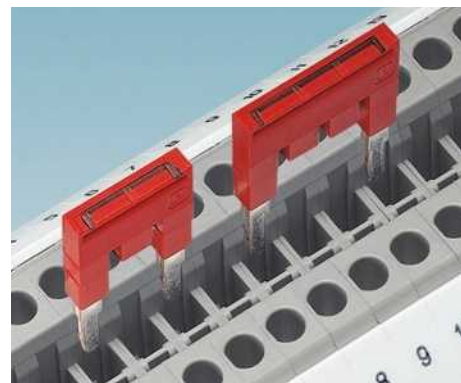
The potential distribution can be implemented at speed with the standardized plug-in bridges. Using two bridge shafts in all terminal blocks makes flexible chain, level or jumping bridges possible.



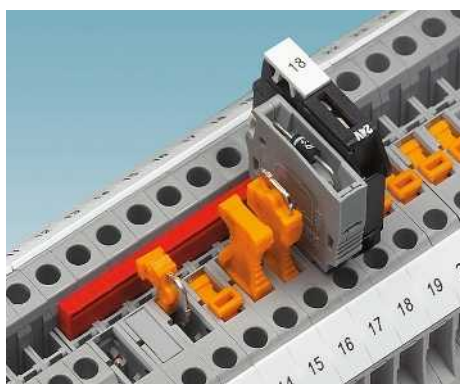
The reducing bridge enables terminal blocks with different nominal cross sections to be connected easily, e.g., a UT 10 terminal block to a UT 2,5. Power blocks can be created quickly using the reducing bridge.



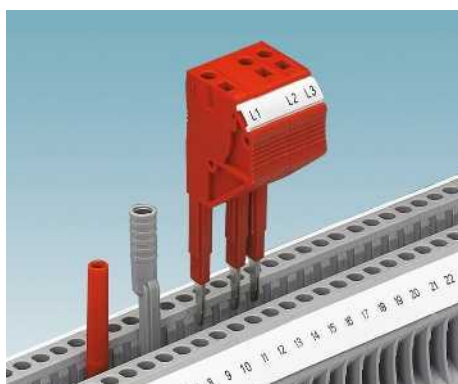
The double function shaft can be used to connect any number of terminal blocks with two-position bridges. The 2 to 50-pos. bridges allow up to 50 terminal blocks to be bridged in one step.



A jumping bridge is created by removing individual contact guides from the standard bridge. Two potentials can then be routed in parallel. The contact points can also be marked.



The P-FIX isolated feed-through connector, P-DI isolating plug, P-CO component plug, and P-FU cartridge fuse plug can be used in the universal plug-in zone of the disconnect terminal block.



A test plug with a 2.3 mm diameter is available for measuring lines. All measurement and test work can be completed at speed using test adapters for 4 mm diameter test plugs and the modular test plugs.



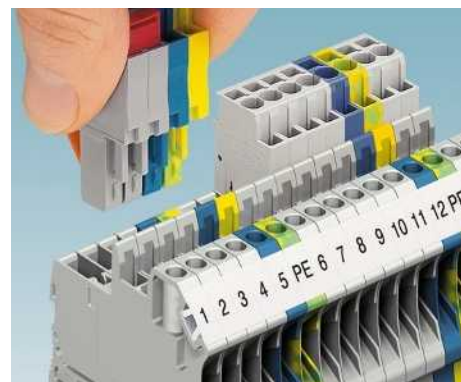
Large-surface and clear marking of the terminal points is essential for reliable and quick installation. Each terminal point in the UT series can be marked separately.



UT 4-MTD disconnect terminal blocks and feed-through terminal blocks are available in the same shape as the feed-through terminal blocks. All terminal blocks can be continuously bridged with one another with the double function shaft.



If fully wired, the level offset of the double-level terminal blocks allows the lower connection level to be accessed in full and provides a perfect view of the lower labeling markers and conductor entry funnel.



UT-COMBI terminal blocks are available for creating plug-in signal and power wiring. The system is touch proof and offers plugs for self-assembly with extensive accessories. See "COMBI" section, page 329.

UT screw connection terminal blocks

UT ... feed-through terminal blocks

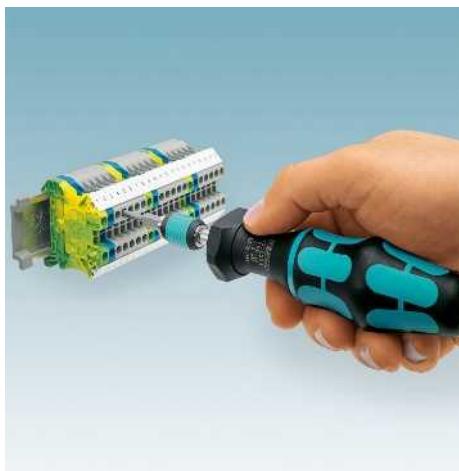


The UT screw terminal block series is characterized by the system features of the CLIPLINE complete system and the following features:

- Space savings thanks to compact design
- Convenient wiring in a confined space
- The large connection space enables rigid and flexible conductors to be connected without a ferrule, even if greater than the nominal cross section
- The cable entry funnel enables conductors to be used with ferrules and plastic collars within the nominal cross section
- The multi-conductor connection offers maximum flexibility and wiring density
- Optimum guidance of screwdriver through closed screw shafts
- For corresponding **torque screwdrivers**, see Catalog 5

Terminal strip service

We produce fully pre-assembled terminal strips for fitting straight into the control cabinet or switch system. This simplifies installation, saves time, and cuts costs.



Notes:
1) For installation notes on the use of accessories for Ex e applications, see page 710.
2) The reducing bridge table should be followed, see page 476.



2.5 (4) mm², 32 A, feed-through terminal block



Ex: KEMA 04ATEX2048 U / IECEx KEM 06.0027U

Dimensions		[mm]	
Max. electrical data			
I_{max} [A]	U_{max} [V]	max. Ø [mm ²]	AWG
32	1000	0.14 - 4	26 - 12
IEC 60947-7-1			
Rated data			
Rated voltage	[V]	1000	600
Nominal current / cross section	[A] / [mm ²]	24 / 2.5	20 / -
Rated cross section	[mm ²]	2.5	-
Cross section range	AWG	26 - 12	26-12
Connection capacity			
1 conductor	[mm ²]	0.14 - 4	0.14 - 4
Two conductors (of the same type)	[mm ²]	0.14 - 1.5	0.14 - 1.5
Two stranded conductors with a TWIN ferrule	[mm ²]		
General data			
Stripping length	[mm]	9	
Screw thread		M3	
Tightening torque	[Nm]	0.5 - 0.6	
Insulating material		PA	
Inflammability class according to UL 94		V0	

Technical data			
Width	Length	Height NS 35/7,5	
5.2	47.7	47.5	
I_{max} [A]	U_{max} [V]	max. Ø [mm ²]	AWG
32	1000	0.14 - 4	26 - 12
IEC 60947-7-1			
IEC	UL/CUL	CSA	IEC/EN 60079-7
1000	600	600	690
Nominal current / cross section	[A] / [mm ²]	24 / 2.5	22 / 2.5 // 28 / 4
Rated cross section	[mm ²]	2.5	2.5
Cross section range	AWG	26 - 12	26 - 12
Connection capacity			
	solid	stranded	Ferrule
			Without / with plastic sleeve
1 conductor	[mm ²]	0.14 - 4	0.14 - 2.5 0.14 - 2.5
Two conductors (of the same type)	[mm ²]	0.14 - 1.5	0.14 - 1.5 -
Two stranded conductors with a TWIN ferrule	[mm ²]		0.5 - 1.5
General data			
Stripping length	[mm]	9	
Screw thread		M3	
Tightening torque	[Nm]	0.5 - 0.6	
Insulating material		PA	
Inflammability class according to UL 94		V0	

Description	No. of pos.	Color
Terminal block, for mounting on NS 35...		gray blue orange red black

Ordering data			
Type	I_{max}	Order No.	Pcs. / Pkt.
UT 2,5		3044076	50
UT 2,5 BU		3044089	50
UT 2,5 OG		3045046	50
UT 2,5 RD		3045062	50
UT 2,5 BK		3045088	50

Pick-off terminal block, for snapping into the lateral guide		gray
Cover, width 2.2 mm		gray
Plug-in bridge		
	2	red
	3	red
	4	red
	5	red
	10	red
	20	red

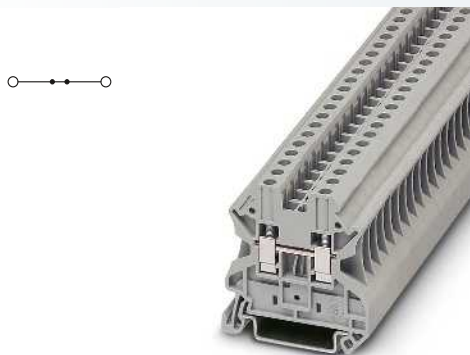
Accessories ¹⁾			
D-UT 2,5/10		3047028	50
FBS 2-5	24 A	3030161	50
FBS 3-5	24 A	3030174	50
FBS 4-5	24 A	3030187	50
FBS 5-5	24 A	3030190	50
FBS 10-5	24 A	3030213	10
FBS 20-5	24 A	3030226	10

Reducing bridge ²⁾		
	2	red
Reducing bridge ²⁾		
	2	red
Partition plate, 2 mm width		gray
Test adapter, 4-mm test socket hole		gray
Test plug metal part, 2.3 mm Ø		
Insulating sleeve, for MPS metal part		red
Modular test plug, for the individual assembly of test plug strips		red
Warning label, for UT series		yellow
Screwdriver		

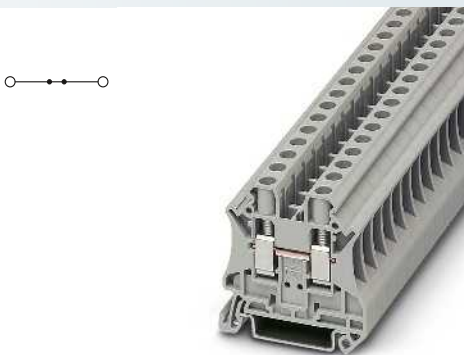
ATP-UT		3047167	50
PAI-4-N GY		3032871	10
MPS-MT		0201744	10
MPS-IH RD		0201676	10
PS-5		3030983	10
WS UT 2,5		3047923	10
SF-SL 0,6X3,5-100 S-VDE		1212587	10

Lateral groove labeling		
-------------------------	--	--

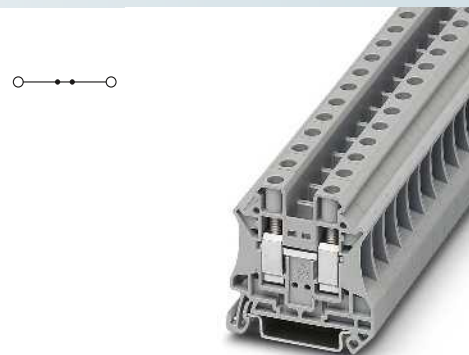
UC-TM 5, UCT-TM 5 or ZB 5 (see Catalog 5)		
---	--	--



4 (6) mm², 41 A, feed-through terminal block



6 (10) mm², 57 A, feed-through terminal block



10 (16) mm², 76 A, feed-through terminal block



Ex: KEMA 04ATEX2048 U / IECEx KEM 06.0027U



Ex: KEMA 04ATEX2048 U / IECEx KEM 06.0027U



Ex: KEMA 04ATEX2048 U / IECEx KEM 06.0027U

Technical data			
Width	Length	Height NS 35/7,5	
6.2	47.7	47.5	
I _{max} [A]	U _{max} [V]	max. Ø [mm ²]	AWG
41	1000	0.14 - 6	26 - 10
IEC 60947-7-1			
IEC	UL/CUL	CSA	IEC/EN 60079-7
1000	600	600	690
32 / 4	30 / -	30 / -	30 / 4 // 38 / 6
4	-	-	4
26 - 10	26-10	26-10	26 - 10
solid	stranded	Ferrule	
Without / with plastic sleeve			
0.14 - 6	0.14 - 6	0.14 - 4	0.14 - 4
0.14 - 1.5	0.14 - 1.5	0.14 - 1.5	-
			0.5 - 2.5
9			
M3			
0.6 - 0.8			
PA			
V0			

Technical data			
Width	Length	Height NS 35/7,5	
8.2	47.7	47.5	
I _{max} [A]	U _{max} [V]	max. Ø [mm ²]	AWG
57	1000	0.2 - 10	24 - 8
IEC 60947-7-1			
IEC	UL/CUL	CSA	IEC/EN 60079-7
1000	600	600	690
41 / 6	50 / -	50 / -	40 / 6 // 50 / 10
6	-	-	6
24 - 8	24-8	24-8	24 - 8
solid	stranded	Ferrule	
Without / with plastic sleeve			
0.2 - 10	0.2 - 10	0.25 - 6	0.25 - 6
0.2 - 2.5	0.2 - 2.5	0.25 - 1.5	-
			0.5 - 4
10			
M4			
1.5 - 1.8			
PA			
V0			

Technical data			
Width	Length	Height NS 35/7,5	
10.2	47.7	47.5	
I _{max} [A]	U _{max} [V]	max. Ø [mm ²]	AWG
76	1000	0.5 - 16	20 - 6
IEC 60947-7-1			
IEC	UL/CUL	CSA	IEC/EN 60079-7
1000	600	600	690
57 / 10	65 / -	65 / -	54 / 10 // 69 / 16
10	-	-	10
20 - 6	20-6	20-6	20 - 6
solid	stranded	Ferrule	
Without / with plastic sleeve			
0.5 - 16	0.5 - 16	0.5 - 10	0.5 - 10
0.5 - 4	0.5 - 4	0.5 - 2.5	-
			0.5 - 6
10			
M4			
1.5 - 1.8			
PA			
V0			

Ordering data			
Type	I _{max}	Order No.	Pcs. / Pkt.
UT 4		3044102	50
UT 4 BU		3044115	50
UT 4 OG		3045101	50
UT 4 RD		3045127	50
UT 4 BK		3045143	50

Ordering data			
Type	I _{max}	Order No.	Pcs. / Pkt.
UT 6		3044131	50
UT 6 BU		3044144	50
UT 6 OG		3045169	50
UT 6 RD		3045185	50
UT 6 BK		3045208	50

Ordering data			
Type	I _{max}	Order No.	Pcs. / Pkt.
UT 10		3044160	50
UT 10 BU		3044188	50
UT 10 OG		3046281	50
UT 10 RD		3046304	50
UT 10 BK		3046320	50

Accessories ¹⁾			
D-UT 2,5/10		3047028	50
FBS 2-6	32 A	3030336	50
FBS 3-6	32 A	3030242	50
FBS 4-6	32 A	3030255	50
FBS 5-6	32 A	3030349	50
FBS 10-6	32 A	3030271	10
FBS 20-6	32 A	3030365	10
ATP-UT		3047167	50
PAI-4-N GY		3032871	10
MPS-MT		0201744	10
MPS-IH RD		0201676	10
PS-6		3030996	10
WS UT 4		3047332	10
SF-SL 0,6X3,5-100 S-VDE		1212587	10

Accessories ¹⁾			
D-UT 2,5/10		3047028	50
FBS 2-8	41 A	3030284	10
FBS 3-8	41 A	3030297	10
FBS 4-8	41 A	3030307	10
FBS 5-8	41 A	3030310	10
FBS 10-8	41 A	3030323	10
RB UT 6-(2,5/4)		3047251	10
RB UT 6-ST(2,5/4)		3047264	10
ATP-UT		3047167	50
PAI-4-N GY		3032871	10
PS-8		3031005	10
WS UT 6		3047345	10
SZS 1,0X4,0 VDE		1205066	10

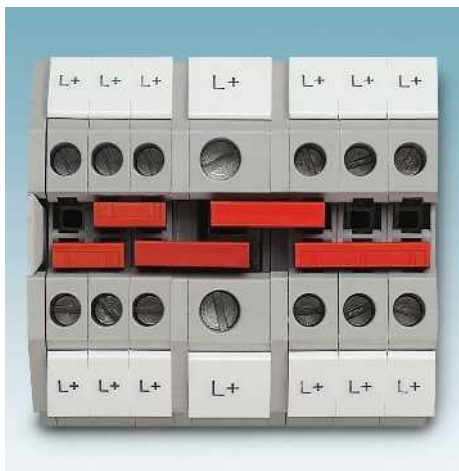
Accessories ¹⁾			
AGK 4-UT 10		3047112	50
D-UT 2,5/10		3047028	50
FBS 2-10	57 A	3005947	10
RB UT 10-(2,5/4)		3047060	10
RB UT 10-ST(2,5/4)		3047086	10
ATP-UT		3047167	50
WS UT 10		3047361	10
SZS 1,0X4,0 VDE		1205066	10

UC-TM 6, UCT-TM 6 or ZB 6 (see Catalog 5)

UC-TM 8, UCT-TM 8 or ZB 8 (see Catalog 5)

UC-TM 10, UCT-TM 10 or ZB 10 (see Catalog 5)

UT ... feed-through terminal blocks

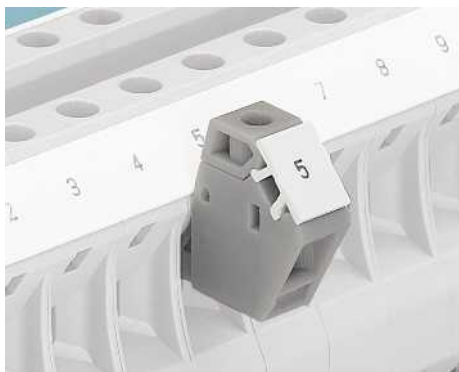


The continuous dual function shaft enables the standard bridge and test function as well as:

- The simple and time-saving potential in-feed and distribution of large currents and cross sections up to 35 mm² with reducing bridges
- The reducing bridges can be used to connect terminal blocks with different connection technologies, e.g., UT 35 screw terminal block to PT 2,5 push-in terminal blocks, in order to form power blocks
- The flexible options for reducing bridging in the CLIPLINE complete system can be found in the “Accessories” section

AGK 4-UT... pick-off terminal blocks

- The fully insulated pick-off terminal block (optional use) permits a voltage pick-off up to a nominal voltage of 1000 V (4 mm²)
- Large area for labeling



Notes:
1) For installation notes on the use of accessories for Ex e applications, see page 710.
2) The reducing bridge table should be followed, see page 476.



16 (25) mm², 101 A, feed-through terminal block



Ex: Ex IECEx
KEMA 04ATEX2048 U / IECEx KEM 06.0027U

Technical data

Dimensions		Width	Length	Height NS 35/7,5
		12.2	55.5	55
Max. electrical data		I _{max} [A]	U _{max} [V]	max. Ø [mm ²] AWG
		101	1000	1.5 - 25 16 - 4
		IEC 60947-7-1		
Rated data		IEC	UL/CUL	CSA IEC/EN 60079-7
Rated voltage	[V]	1000	600	600 690
Nominal current / cross section	[A] / [mm ²]	76 / 16	85 / -	85 / - 73.5 / 16 // 89.5 / 25
Rated cross section	[mm ²]	16	-	16
Cross section range	AWG	16 - 4	16-4	16-4 16 - 4
Connection capacity		solid	stranded	Ferrule Without / with plastic sleeve
1 conductor	[mm ²]	1.5 - 25	1.5 - 25	1 - 16 1 - 16
Two conductors (of the same type)	[mm ²]	1 - 6	1 - 6	1 - 6 -
Two stranded conductors with a TWIN ferrule	[mm ²]			0.75 - 10
General data		Stripping length	[mm]	14
Screw thread		M5		
Tightening torque	[Nm]	2.5 - 3		
Insulating material		PA		
Inflammability class according to UL 94		V0		

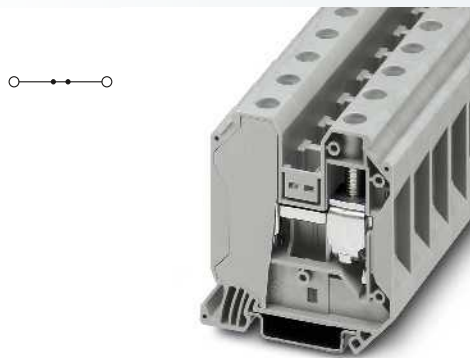
Ordering data

Description	No. of pos.	Color	Type	I _{max}	Order No.	Pcs. / Pkt.
Terminal block, for mounting on NS 35...		gray blue	UT 16		3044199	50
			UT 16 BU		3044209	50

Accessories¹⁾

Description	No. of pos.	Color	Type	I _{max}	Order No.	Pcs. / Pkt.
Pick-off terminal block, for snapping into the lateral guide		gray	AGK 4-UT 16		3047125	50
Cover, width 2.2 mm		gray	D-UT 16		3047206	50
Plug-in bridge	2	red	FBS 2-12	76 A	3005950	10
Reducing bridge ²⁾	2	red	RB UT 16-(2,5/4)		3047073	10
Reducing bridge ²⁾	2	red				
Warning label, for UT series	2	red	RB UT 16-ST(2,5/4)		3047099	10
Screwdriver		yellow	WS UT 16		3047374	10
			SZS 1,0X6,5 VDE		1205079	10

Lateral groove labeling	UC-TM 12, UCT-TM 12 or ZB 12 (see Catalog 5)
-------------------------	--



35 (50) mm², 150 A, feed-through terminal block



Ex: KEMA 04ATEX2048 U / IECEx KEM 06.0027U

Technical data

Width	Length	Height NS 35/7,5	
16	60.2	65.7	
I_{max} [A]	U_{max} [V]	max. Ø [mm ²]	AWG
150	1000	1.5 - 50	16 - 1/0
IEC 60947-7-1			
IEC	UL/CUL	CSA	IEC/ EN 60079-7
1000	600	600	690
125 / 35	150 / -	150 / -	126 / 35 // 129 / 50
35	-	-	35
16 - 1/0	14-1/0	14-1/0	16 - 1/0
solid	stranded	Ferrule	
		Without / with plastic sleeve	
1.5 - 50	1.5 - 50	1.5 - 35	1.5 - 35
1.5 - 16	1.5 - 10	1.5 - 10	-
		1.5 - 16	

18
M6
3.2 - 3.7
PA
V0

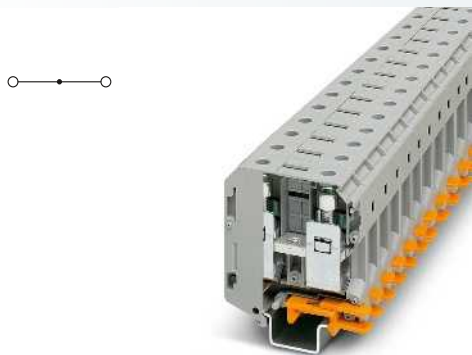
Ordering data

Type	I_{max}	Order No.	Pcs. / Pkt.
UT 35		3044225	50
UT 35 BU		3044238	50

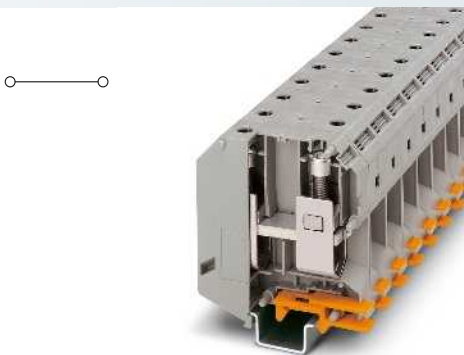
Accessories¹⁾

Accessories	I_{max}	Order No.	Pcs. / Pkt.
AGK 4-UT 35		3047138	50
FBS 2-16	101 A	3005963	10
RB UT 35-(2,5/4)		3047277	10
RB 35-16		3032169	10
RB UT 35-ST(2,5/4)		3047280	10
WS UT 35		3047387	10
SZS 1,0X6,5 VDE		1205079	10

UC-TM 16, UCT-TM 16 or ZB 16,3
(see Catalog 5)



70 (95) mm², 192 A, feed-through terminal block



95 (95) mm², 232 A, feed-through terminal block



Ex: KEMA 98ATEX1786U / IECEx KEM 06.0029U

Technical data			
Width	Length	Height NS 35/15	
20.3	70.5	87.5	
Width	Length	Height NS 32	
20.3	70.5	85.5	
I _{max} [A]	U _{max} [V]	max. Ø [mm ²]	AWG
192	1000	16 - 95	4 - 3/0
IEC 60947-7-1			
IEC	UL/CUL	CSA	IEC/EN 60079-7
1000	1000	1000	-
192 / 70	192 / -	192 / -	-
70	-	-	-
4 - 3/0	6-3/0	6-3/0	-
solid	stranded	Ferrule	
		Without / with plastic sleeve	
16 - 95	25 - 70	16 - 70	16 - 70
16 - 25	16 - 25	16 - 25	-
24			
M8			
8 - 10			
PA			
V0			

Technical data			
Width	Length	Height NS 35/15	
25	83	97.5	
Width	Length	Height NS 32	
25	83	95.5	
I _{max} [A]	U _{max} [V]	max. Ø [mm ²]	AWG
232	1000	25 - 95	4 - 3/0
IEC 60947-7-1			
IEC	UL/CUL	CSA	IEC/EN 60079-7
1000	600	600	880
232 / 95	230 / -	200 / -	216 / 95 //
			216 / 95
95	-	-	95
4 - 3/0	2-4/0	2-4/0	4 - 3/0
solid	stranded	Ferrule	
		Without / with plastic sleeve	
25 - 95	35 - 95	35 - 95	35 - 95
25 - 35	25 - 35	16 - 35	-
95	70		
33			
M8			
15 - 20			
PA			
V0			

Ordering data			
Type	I _{max}	Order No.	Pcs. / Pkt.
UKH 70		3213140	10
UKH 70 BU		3244601	10

Ordering data			
Type	I _{max}	Order No.	Pcs. / Pkt.
UKH 95		3010013	10
UKH 95 BU		3010136	10

Accessories ¹⁾			
AGK 10-UKH 50	57 A	3001763	10
FBI 2-20 N	192 A	3213195	10
FBI 3-20 N	192 A	3213205	10
UKH 50 EP		3009228	10
E/AL-NS 32		1201659	10
E/AL-NS 35		1201662	10
VDE-ISS 6		1201934	1

Accessories ¹⁾			
AGK 10-UKH 95	57 A	3003541	10
EB 2-25/UKH	232 A	0201362	10
EB 3-25/UKH	232 A	0201375	10
UKH 95 EP		3009231	10
E/AL-NS 32		1201659	10
E/AL-NS 35		1201662	10
VDE-ISS 6		1201934	1

UC-TM 10, UCT-TM 10 or ZB 10
(see Catalog 5)

UC-TM 10, UCT-TM 10 or ZB 10
(see Catalog 5)

UT screw connection terminal blocks

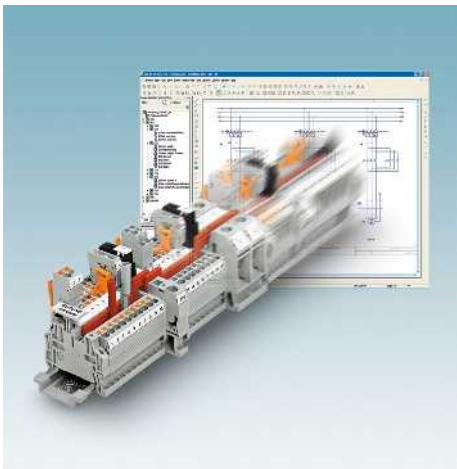
UKH ... high-current terminal blocks



AGK 10-UKH... pick-off terminal blocks

- The fully-insulated pick-off terminal block (optional use) permits a voltage pick-off up to a nominal voltage of 1000 V (10 mm²)
- Large area for labeling

CLIP PROJECT Planning enables the quick and convenient planning and configuration of fault-free terminal strips.



Notes:
1) For installation notes on the use of accessories for Ex e applications, see page 710.
2) See page 466.



150 (150) mm², 309 A, feed-through terminal block



Ex: KEMA 99ATEX8332 U / IECEx KEM 06.0030U

Dimensions		[mm]	
Width	31	Length	100
Height NS 35/15	118.5	Height NS 32	116
Max. electrical data			
I _{max} [A]	309	U _{max} [V]	1000
Rated data			
Rated voltage [V]	1000	UL/CUL	600
Nominal current / cross section [A] / [mm ²]	309 / 150	CSA	600
Rated cross section [mm ²]	150	IEC/EN 60079-7	1100
Cross section range AWG	2 - 300 kcmil	Without / with plastic sleeve	50 - 150 / 256 / 150 // 256 / 150
Connection capacity			
1 conductor [mm ²]	35 - 150	50 - 150	50 - 150
Two conductors (of the same type) [mm ²]	25 - 50	35 - 50	25 - 50
Max. cross section with insertion bridge [mm ²]	150	120	-
General data			
Stripping length [mm]	40	Ferrule	
Screw thread	M10	Without / with plastic sleeve	
Tightening torque [Nm]	25 - 30	50 - 150	
Insulating material	PA	-	
Inflammability class according to UL 94	V0		

Technical data			
Width	Length	Height NS 35/15	
31	100	118.5	
Width	Length	Height NS 32	
31	100	116	
I _{max} [A]	U _{max} [V]	max. Ø [mm ²]	AWG
309	1000	35 - 150	2 - 300 kcmil
IEC 60947-7-1			
IEC	UL/CUL	CSA	IEC/EN 60079-7
600	600	600	1100
285 / -	275 / -	256 / 150 //	256 / 150
150	-	150	150
2 - 300 kcmil	2-300	2-300	2 - 300 kcmil
solid	stranded	Ferrule	
		Without / with plastic sleeve	
35 - 150	50 - 150	50 - 150	50 - 150
25 - 50	35 - 50	25 - 50	-
150	120		

Description	No. of pos.	Color
Terminal block, for mounting on NS 32, NS 35/15 or NS 35/15-2,3		gray
		blue

Pick-off terminal block, for snapping into the lateral guide		gray
Insertion bridge, fully insulated, is laid into terminal sleeve and snapped into the terminal housing		

Insertion profile, levels out the prism-shaped sleeve when using flat-ribbon conductors ²⁾	2	gray
	3	gray

Aluminum end bracket, for screwing on, for end support for the UKH 50 - UKH 240, can be labeled with ZB 10, for mounting on NS 32...		silver
--	--	--------

Aluminum end bracket, for screwing on, for end support of 50 - 300 mm ² terminal blocks, can be labeled with ZB 10, for mounting on NS 35...		silver
---	--	--------

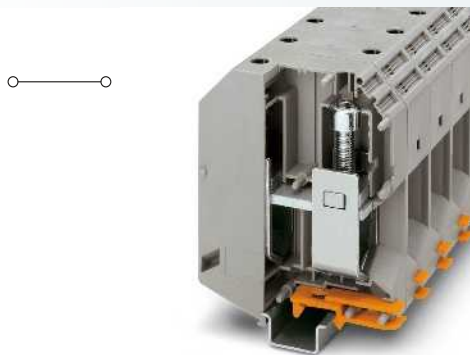
Allen wrench, fully insulated, safety tool in accordance with EN 60900, length: 150 mm, handle width: 110 mm		
--	--	--

Lateral groove labeling		
-------------------------	--	--

Ordering data			
Type	I _{max}	Order No.	Pcs. / Pkt.
UKH 150		3010110	10
UKH 150 BU		3010123	10

Accessories ¹⁾			
Type	I _{max}	Order No.	Pcs. / Pkt.
AGK 10-UKH 150/240	57 A	3003554	10
EB 2-31/UKH	232 A	0201388	10
EB 3-31/UKH	232 A	0201391	10
UKH 150/240 EP		3009244	10
E/AL-NS 32		1201659	10
E/AL-NS 35		1201662	10
VDE-ISS 8		1201947	1

UC-TM 10, UCT-TM 10 or ZB 10 (see Catalog 5)			
--	--	--	--



240 (240) mm², 415 A, feed-through terminal block



Ex: KEMA 99ATEX8332 U / IECEx KEM 06.0030U

Technical data

Width	Length	Height NS 35/15	
36	100	131.5	
Width	Length	Height NS 32	
36	100	129.5	
I _{max} [A]	U _{max} [V]	max. Ø [mm ²]	AWG
415	1000	70 - 240	2/0 - 500 kcmil
IEC 60947-7-1			
IEC	UL/CUL	CSA	IEC/EN 60079-7
1000	600	600	1100
415 / 240	380 / -	400 / -	350 / 240 // 350 / 240
240	-	-	240
2/0 - 500 kcmil solid	2/0-500 stranded	1/0-500	2/0 - 500 kcmil Ferrule
Without / with plastic sleeve			
70 - 240	70 - 240	70 - 185	70 - 185
35 - 95	50 - 95	35 - 50	-
240	185		

40
M10
25 - 30
PA
V0

Ordering data

Type	I _{max}	Order No.	Pcs. / Pkt.
UKH 240		3010217	10
UKH 240 BU		0711852	10

Accessories¹⁾

AGK 10-UKH 150/240	57 A	3003554	10
EB 2-36/UKH	320 A	0201401	10
EB 3-36/UKH	320 A	0201414	10
UKH 150/240 EP		3009244	10
E/AL-NS 32		1201659	10
E/AL-NS 35		1201662	10
VDE-ISS 8		1201947	1

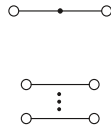
UC-TM 10, UCT-TM 10 or ZB 10 (see Catalog 5)

UT screw connection terminal blocks

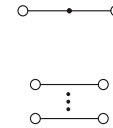
UKH ...3L... high-current terminal block bases for DIN rail mounting

- Terminal blocks and bases for up to 415 A with a space-saving design for DIN rail mounting
- The fully-insulated pick-off terminal block (optional use) permits a voltage pick-off up to a nominal voltage of 1000 V (10 mm²)

Notes:
1) See page 466.



50 (70) mm², 150 A, terminal block base



70 (95) mm², 192 A, terminal block base

Dimensions	
Dimensions	[mm]
Dimensions	[mm]
Max. electrical data	
Rated data	
Rated voltage	[V]
Nominal current / cross section	[A] / [mm ²]
Rated cross section	[mm ²]
Cross section range	AWG
Connection capacity	
1 conductor	[mm ²]
Two conductors (of the same type)	[mm ²]
Max. cross section with insertion bridge	[mm ²]
General data	
Stripping length	[mm]
Screw thread	
Tightening torque	[Nm]
Insulating material	
Inflammability class according to UL 94	

Technical data				
Width	Length	Height NS 35/15		
60	75.5	83.5		
Width	Length	Height NS 32		
60	75.5	81.5		
I _{max.} [A]	U _{max.} [V]	max. Ø [mm ²]	AWG	
150	1000	16 - 70	6 - 2/0	
IEC 60947-7-1	UL/CUL	CSA	IEC/ EN 60079-7	
1000	-	-	-	
150 / 50	- / -	-	-	
50	-	-	-	
6 - 2/0	-	-	-	
Connection capacity		Ferrule		
solid	stranded	Without / with plastic sleeve		
16 - 70	25 - 70	25 - 50	25 - 50	
10 - 16	10 - 16	10 - 16	-	
Stripping length	24			
Screw thread	M6			
Tightening torque	6 - 8			
Insulating material	PA			
Inflammability class according to UL 94	V0			

Technical data				
Width	Length	Height NS 35/15		
60.9	70.5	87.5		
Width	Length	Height NS 32		
60.9	70.5	85.5		
I _{max.} [A]	U _{max.} [V]	max. Ø [mm ²]	AWG	
192	1000	16 - 95	4 - 3/0	
IEC 60947-7-1	UL/CUL	CSA	IEC/ EN 60079-7	
1000	-	-	-	
192 / 70	- / -	-	-	
70	-	-	-	
4 - 3/0	-	-	-	
Connection capacity		Ferrule		
solid	stranded	Without / with plastic sleeve		
16 - 95	25 - 70	16 - 70	16 - 70	
16 - 25	16 - 25	16 - 25	-	
Stripping length	24			
Screw thread	M8			
Tightening torque	8 - 10			
Insulating material	PA			
Inflammability class according to UL 94	V0			

Ordering data		
Description	No. of pos.	Color
Terminal block, for mounting on NS 32, NS 35/15 or NS 35/15-2,3		gray
Terminal block base, four feed-through terminal blocks, 3 x gray, 1 x blue		gray/blue
Terminal block base, four feed-through terminal blocks, 3 x gray, 1 x black-yellow		gray/black-yellow
Terminal block base, five feed-through terminal blocks, 3 x gray, 1 x blue, 1 x black-yellow		gray/blue/black-yellow

Ordering data		
Type	Order No.	Pcs. / Pkt.
UKH 50-3L	3076634	3
UKH 50-3L/N	3076635	2
UKH 50-3L/FE	3076636	2
UKH 50-3L/N/FE	3076637	2

Ordering data		
Type	Order No.	Pcs. / Pkt.
UKH 70-3L	3076329	4
UKH 70-3L/N	3076361	3
UKH 70-3L/FE	3076400	3
UKH 70-3L/N/FE	3076442	2

Accessories		
Pick-off terminal block, for snapping into the lateral guide	gray	
Fixed bridge, for cross connections in the terminal center, screw heads with insulating collar, first remove partition plate		
	2	silver
	3	silver
Insertion bridge, fully insulated, is laid into terminal sleeve and snapped into the terminal housing		
	2	gray
	3	gray
Insertion profile, levels out the prism-shaped sleeve when using flat-ribbon conductors ¹⁾		silver
Screwdriver		
Allen wrench, fully insulated, safety tool in accordance with EN 60900, length: 150 mm, handle width: 110 mm		

Accessories		
AGK 10-UKH 50	3001763	10
FBI 2-20	0201346	10
FBI 3-20	0201317	10
UKH 50 EP	3009228	10
SZS 1,2X8,0 VDE	1205082	10

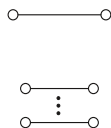
Accessories		
AGK 10-UKH 50	3001763	10
FBI 2-20 N	3213195	10
FBI 3-20 N	3213205	10
UKH 50 EP	3009228	10
VDE-ISS 6	1201934	1

Later groove labeling

UC-TM 10, UCT-TM 10 or ZB 10 (see Catalog 5)

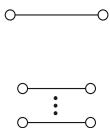
UC-TM 10, UCT-TM 10 or ZB 10 (see Catalog 5)

N



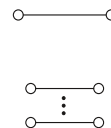
95 (95) mm², 232 A, terminal block base

N



150 (150) mm², 309 A, terminal block base

N



240 (240) mm², 415 A, terminal block base



Technical data				
Width	Length	Height NS 35/15		
75	82.8	97.5		
Width	Length	Height NS 32		
75	82.8	95.5		
I_{max} [A]	U_{max} [V]	max. Ø [mm ²]	AWG	
232	1000	25 - 95	4 - 3/0	
IEC 60947-7-1	UL/CUL	CSA	IEC/EN 60079-7	
1000	600	-	-	
232 / 95	230 / -	-	-	
95	-	-	-	
4 - 3/0	2-4/0	-	-	
solid	stranded	Ferrule		
		Without / with plastic sleeve		
25 - 95	35 - 95	35 - 95	35 - 95	
25 - 35	25 - 35	16 - 35	-	
95	70			
33				
M8				
15 - 20				
PA				
V0				

Technical data				
Width	Length	Height NS 35/15		
93	100	118.5		
Width	Length	Height NS 32		
93	100	116		
I_{max} [A]	U_{max} [V]	max. Ø [mm ²]	AWG	
309	1000	35 - 150	2 - 300 kcmil	
IEC 60947-7-1	UL/CUL	CSA	IEC/EN 60079-7	
1000	600	-	-	
309 / 150	285 / -	-	-	
150	-	-	-	
2 - 300 kcmil	2-300	-	-	
solid	stranded	Ferrule		
		Without / with plastic sleeve		
35 - 150	50 - 150	50 - 150	50 - 150	
25 - 50	35 - 50	25 - 50	-	
150	120			
40				
M10				
25 - 30				
PA				
V0				

Technical data				
Width	Length	Height NS 35/15		
108	100	131.5		
Width	Length	Height NS 32		
108	100	129.5		
I_{max} [A]	U_{max} [V]	max. Ø [mm ²]	AWG	
415	1000	70 - 240	2/0 - 500 kcmil	
IEC 60947-7-1	UL/CUL	CSA	IEC/EN 60079-7	
1000	600	-	-	
415 / 240	380 / -	-	-	
240	-	-	-	
2/0 - 500 kcmil	2/0-500	-	-	
solid	stranded	Ferrule		
		Without / with plastic sleeve		
70 - 240	70 - 240	70 - 185	70 - 185	
35 - 95	50 - 95	35 - 50	-	
240	185			
40				
M10				
25 - 30				
PA				
V0				

Ordering data		
Type	Order No.	Pcs. / Pkt.
UKH 95-3L	3076332	3
UKH 95-3L/N	3076374	2
UKH 95-3L/FE	3076413	2
UKH 95-3L/N/FE	3076455	2

Ordering data		
Type	Order No.	Pcs. / Pkt.
UKH 150-3L	3076345	3
UKH 150-3L/N	3076387	2
UKH 150-3L/FE	3076426	2
UKH 150-3L/N/FE	3076468	2

Ordering data		
Type	Order No.	Pcs. / Pkt.
UKH 240-3L	3076358	3
UKH 240-3L/N	3076390	2
UKH 240-3L/FE	3076439	2
UKH 240-3L/N/FE	3076471	2

Accessories		
AGK 10-UKH 95	3003541	10
EB 2-25/UKH	0201362	10
EB 3-25/UKH	0201375	10
UKH 95 EP	3009231	10
VDE-ISS 6	1201934	1

Accessories		
AGK 10-UKH 150/240	3003554	10
EB 2-31/UKH	0201388	10
EB 3-31/UKH	0201391	10
UKH 150/240 EP	3009244	10
VDE-ISS 8	1201947	1

Accessories		
AGK 10-UKH 150/240	3003554	10
EB 2-36/UKH	0201401	10
EB 3-36/UKH	0201414	10
UKH 150/240 EP	3009244	10
VDE-ISS 8	1201947	1

UC-TM 10, UCT-TM 10 or ZB 10 (see Catalog 5)

UC-TM 10, UCT-TM 10 or ZB 10 (see Catalog 5)

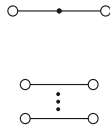
UC-TM 10, UCT-TM 10 or ZB 10 (see Catalog 5)

UT screw connection terminal blocks

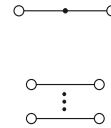
UKH ...-F high-current terminal block bases for direct mounting

- Terminal blocks and bases for up to 415 A with a space-saving design for direct mounting
- The fully-insulated pick-off terminal block (optional use) permits a voltage pick-off up to a nominal voltage of 1000 V (10 mm²)

Notes:
For drilling diagram, see www.phoenixcontact.net/products
1) See page 466.



70 (70) mm², 150 A, terminal block bases, for direct mounting



70 (95) mm², 192 A, terminal block bases, for direct mounting

Dimensions		[mm]
Max. electrical data		
Rated voltage	[V]	1000
Nominal current / cross section	[A] / [mm ²]	150 / 50
Rated cross section	[mm ²]	50
Cross section range	AWG	6 - 2/0
Connection capacity		
1 conductor	[mm ²]	16 - 70
Two conductors (of the same type)	[mm ²]	10 - 16
Max. cross section with insertion bridge	[mm ²]	10 - 16
General data		
Stripping length	[mm]	24
Screw thread		M6
Tightening torque	[Nm]	8 - 10
Insulating material		PA
Inflammability class according to UL 94		V0



Technical data				
Width	Length	Height		
60	75.5	76		
I_{max} [A]	U_{max} [V]	max. Ø [mm ²]	AWG	
150	1000	16 - 70	6 - 2/0	
IEC 60947-7-1				
IEC	UL/CUL	CSA	IEC/EN 60079-7	
1000	-	-	-	
150 / 50	- / -	-	-	
50	-	-	-	
6 - 2/0	-	-	-	
Connection capacity				
	solid	stranded	Ferrule	
			Without / with plastic sleeve	
16 - 70	25 - 70	25 - 50	25 - 50	
10 - 16	10 - 16	10 - 16	-	
General data				
24				
M6				
8 - 10				
PA				
V0				



Technical data				
Width	Length	Height		
60.9	70.5	80		
I_{max} [A]	U_{max} [V]	max. Ø [mm ²]	AWG	
192	1000	16 - 95	4 - 3/0	
IEC 60947-7-1				
IEC	UL/CUL	CSA	IEC/EN 60079-7	
1000	-	-	-	
192 / 70	- / -	-	-	
70	-	-	-	
4 - 3/0	-	-	-	
Connection capacity				
	solid	stranded	Ferrule	
			Without / with plastic sleeve	
16 - 95	25 - 70	16 - 70	16 - 70	
16 - 25	16 - 25	16 - 25	-	
General data				
24				
M8				
8 - 10				
PA				
V0				

Description	No. of pos.	Color
Terminal block , for direct mounting		gray
Terminal block base , for direct mounting, with three gray feed-through terminal blocks		gray
Terminal block base , for direct mounting, four feed-through terminal blocks, 3 x gray, 1 x blue		gray/blue
Terminal block base , for direct mounting, four feed-through terminal blocks, 3 x gray, 1 x black-yellow		gray/black-yellow
Terminal block base , for direct mounting, five feed-through terminal blocks, 3 x gray, 1 x blue, 1 x black-yellow		gray/blue/black-yellow

Ordering data				
Type	I_{max}	Order No.	Pcs. / Pkt.	
UKH 50-F		3247019	10	
UKH 50-3L-F		3076638	3	
UKH 50-3L/N-F		3076639	2	
UKH 50-3L/FE-F		3076640	3	
UKH 50-3L/N/FE-F		3076641	2	

Ordering data				
Type	I_{max}	Order No.	Pcs. / Pkt.	
UKH 70-F		3247051	10	
UKH 70-3L-F		3076484	4	
UKH 70-3L/N-F		3076523	3	
UKH 70-3L/FE-F		3076565	3	
UKH 70-3L/N/FE-F		3076604	2	

Accessories		
Pick-off terminal block , for snapping into the lateral guide	gray	
Fixed bridge , for cross connections in the terminal center, screw heads with insulating collar, first remove partition plate		
	2	silver
	3	silver
Insertion bridge , fully insulated, is laid into terminal sleeve and snapped into the terminal housing		
	2	gray
	3	gray
Insertion profile , levels out the prism-shaped sleeve when using flat-ribbon conductors ¹⁾		silver
Screwdriver		
Allen wrench , fully insulated, safety tool in accordance with EN 60900, length: 150 mm, handle width: 110 mm		

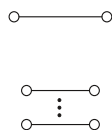
Accessories			
AGK 10-UKH 50		3001763	10
FBI 2-20	150 A	0201346	10
FBI 3-20	150 A	0201317	10
UKH 50 EP		3009228	10
SZS 1,2X8,0 VDE		1205082	10

Accessories			
AGK 10-UKH 50		3001763	10
FBI 2-20 N	192 A	3213195	10
FBI 3-20 N	192 A	3213205	10
UKH 50 EP		3009228	10
VDE-ISS 6		1201934	1

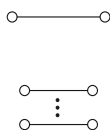
Lateral groove labeling

UC-TM 10, UCT-TM 10 or ZB 10 (see Catalog 5)
--

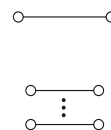
UC-TM 10, UCT-TM 10 or ZB 10 (see Catalog 5)
--



95 (95) mm², 232 A, terminal block bases, for direct mounting



150 (150) mm², 309 A, terminal block bases, for direct mounting



240 (240) mm², 415 A, terminal block bases, for direct mounting



Technical data			
Width	Length	Height	
75	83	90	
I _{max} [A]	U _{max} [V]	max. Ø [mm ²]	AWG
232	1000	25 - 95	3 - 3/0
IEC 60947-7-1			
IEC	UL/CUL	CSA	IEC/EN 60079-7
1000	600	-	-
232 / 95	230 / -	-	-
95	-	-	-
3 - 3/0	2-4/0	-	-
solid	stranded	Ferrule Without / with plastic sleeve	
25 - 95	35 - 95	35 - 95	35 - 95
25 - 35	25 - 35	16 - 35	-
95	70	-	-
33			
M8			
15 - 20			
PA			
V0			

Technical data			
Width	Length	Height	
93	100	111	
I _{max} [A]	U _{max} [V]	max. Ø [mm ²]	AWG
309	1000	35 - 150	2 - 300 kcmil
IEC 60947-7-1			
IEC	UL/CUL	CSA	IEC/EN 60079-7
1000	600	-	-
309 / 150	285 / -	-	-
150	-	-	-
2 - 300 kcmil	2-300	-	-
solid	stranded	Ferrule Without / with plastic sleeve	
35 - 150	50 - 150	50 - 150	50 - 150
25 - 50	35 - 50	25 - 50	-
150	120	-	-
40			
M10			
25 - 30			
PA			
V0			

Technical data			
Width	Length	Height	
108	100	124	
I _{max} [A]	U _{max} [V]	max. Ø [mm ²]	AWG
415	1000	70 - 240	2/0 - 500 kcmil
IEC 60947-7-1			
IEC	UL/CUL	CSA	IEC/EN 60079-7
1000	600	-	-
415 / 240	380 / -	-	-
240	-	-	-
2/0 - 500 kcmil	2/0-500	-	-
solid	stranded	Ferrule Without / with plastic sleeve	
70 - 240	70 - 240	70 - 185	70 - 185
35 - 95	50 - 95	35 - 50	-
240	185	-	-
40			
M10			
25 - 30			
PA			
V0			

Ordering data			
Type	I _{max}	Order No.	Pcs. / Pkt.
UKH 95-F		3247022	10
UKH 95-3L-F		3076497	4
UKH 95-3L/N-F		3076536	2
UKH 95-3L/FE-F		3076578	2
UKH 95-3L/N/FE-F		3076617	2

Ordering data			
Type	I _{max}	Order No.	Pcs. / Pkt.
UKH 150-F		3247035	10
UKH 150-3L-F		3076507	4
UKH 150-3L/N-F		3076549	2
UKH 150-3L/FE-F		3076581	2
UKH 150-3L/N/FE-F		3076620	2

Ordering data			
Type	I _{max}	Order No.	Pcs. / Pkt.
UKH 240-F		3247048	10
UKH 240-3L-F		3076510	4
UKH 240-3L/N-F		3076552	2
UKH 240-3L/FE-F		3076594	2
UKH 240-3L/N/FE-F		3076633	2

Accessories			
Accessories	Order No.		Pcs. / Pkt.
AGK 10-UKH 95	3003541		10
EB 2-25/UKH	232 A	0201362	10
EB 3-25/UKH	232 A	0201375	10
UKH 95 EP		3009231	10
VDE-ISS 6		1201934	1

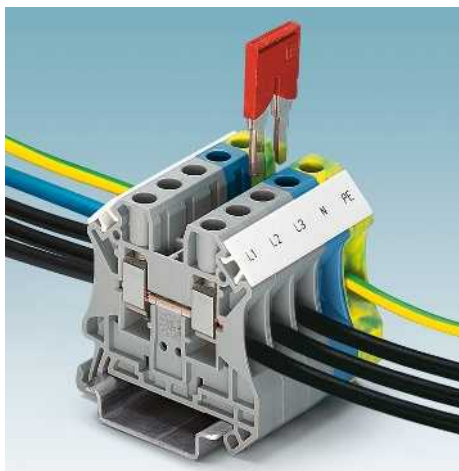
Accessories			
Accessories	Order No.		Pcs. / Pkt.
AGK 10-UKH 150/240	3003554		10
EB 2-31/UKH	300 A	0201388	10
EB 3-31/UKH	300 A	0201391	10
UKH 150/240 EP		3009244	10
VDE-ISS 8		1201947	1

Accessories			
Accessories	Order No.		Pcs. / Pkt.
AGK 10-UKH 150/240	3003554		10
EB 2-36/UKH	382 A	0201401	10
EB 3-36/UKH	382 A	0201414	10
UKH 150/240 EP		3009244	10
VDE-ISS 8		1201947	1

UC-TM 10, UCT-TM 10 or ZB 10
(see Catalog 5)

UC-TM 10, UCT-TM 10 or ZB 10
(see Catalog 5)

UC-TM 10, UCT-TM 10 or ZB 10
(see Catalog 5)



PEN function in accordance with IEC 60947-7-2 from 10 mm² rated cross section

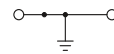
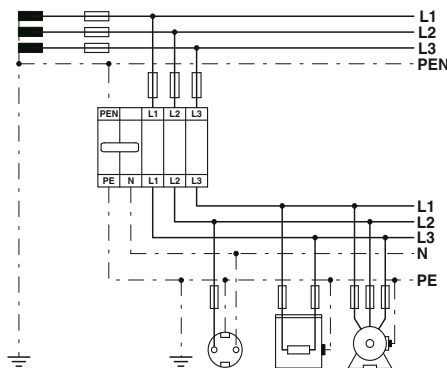
When electrical machine controls installed in a 5-conductor system are connected to the power supply at the site of installation, it is impossible to know in advance whether the connection will involve 4 or 5 conductors.

Larger cross sections normally have a 4-conductor feed, which must then be converted to a 5-conductor system on the terminal strip. The point at which the PEN conductor is split up into the neutral conductor and protective conductor is of particular importance here. In the case of UT screw terminal blocks, this separation can be implemented very easily and according to the standard using a block that consists of a green-yellow ground terminal block with a metal foot and a blue modular terminal block that is isolated toward the DIN rail. Both terminal blocks are interconnected with a powerful plug-in bridge through which the current of the neutral conductor from the system is led to the PEN conductor. A copper DIN rail is not necessary, since the rail only has a PE function when the power block is used and can therefore be made of steel. Please observe the maximum permissible short-circuit current of the DIN rail for the PE function.

Notes:

For current carrying capacity of DIN rails, see page 716.

¹⁾ For installation notes on the use of accessories for Ex e applications, see page 710.



2.5 (4) mm², ground terminal block



KEMA 04ATEX2048 U / IECEx KEM 06.0027U

Technical data

Width	Length	Height NS 35/7,5	
5.2	47.7	47.5	
Max. electrical data		max. Ø [mm ²]	AWG
		0.14 - 4	26 - 12
IEC 60947-2			
IEC	UL/CUL	CSA	IEC/EN 60079-7
2.5	- / -	-	2.5
Connection capacity		Ferrule	
Rated voltage [V]	-	Without / with plastic sleeve	
Nominal current / cross section [A] / [mm ²]	-	0.14 - 2.5	0.14 - 2.5
Rated cross section [mm ²]	2.5	0.14 - 1.5	-
Cross section range AWG	26 - 12	26-12	26 - 12
1 conductor [mm ²]		0.14 - 4	0.14 - 4
Two conductors (of the same type) [mm ²]		0.14 - 1.5	0.14 - 1.5
Two stranded conductors with a TWIN ferrule [mm ²]			0.5 - 1.5
General data			
Stripping length [mm]	9		
Screw thread	M3		
Tightening torque [Nm]	0.5 - 0.6		
Insulating material	PA		
Inflammability class according to UL 94	V0		

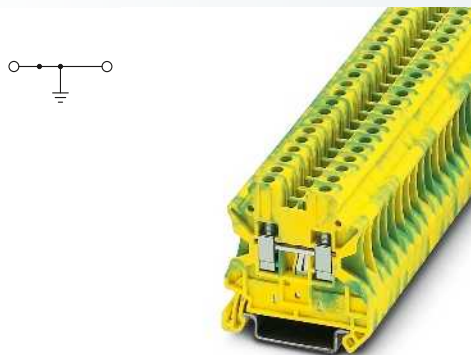
Ordering data

Type	Order No.	Pcs. / Pkt.
UT 2,5-PE	3044092	50

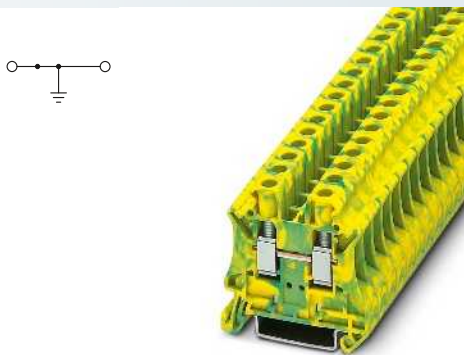
Accessories¹⁾

Accessories	Order No.	Pcs. / Pkt.
Pick-off terminal block, for snapping into the lateral guide		gray
Cover, width 2.2 mm		gray
Plug-in bridge		2, 3, 4, 5, 10, 20
Partition plate, 2 mm width		gray
Test adapter, 4-mm test socket hole		gray
Test plug metal part, 2.3 mm Ø		
Insulating sleeve, for MPS metal part		red
Modular test plug, for the individual assembly of test plug strips		red
Warning label, for UT series		yellow
Screwdriver		
Lateral groove labeling		
D-UT 2,5/10	3047028	50
FBS 2-5	3030161	50
FBS 3-5	3030174	50
FBS 4-5	3030187	50
FBS 5-5	3030190	50
FBS 10-5	3030213	10
FBS 20-5	3030226	10
ATP-UT	3047167	50
PAI-4-N GY	3032871	10
MPS-MT	0201744	10
MPS-IH RD	0201676	10
PS-5	3030983	10
WS UT 2,5	3047923	10
SF-SL 0,6X3,5-100 S-VDE	1212587	10

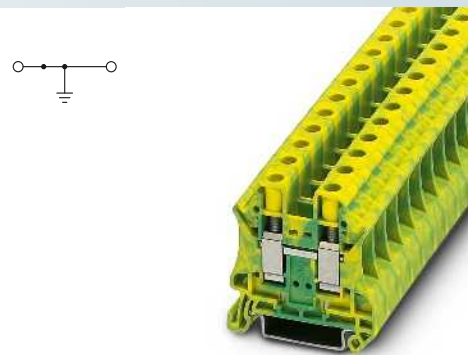
UC-TM 5, UCTM-TM 5 or ZB 5 (see Catalog 5)



4 (6) mm², ground terminal block



6 (10) mm², ground terminal block



10 (16) mm², 76 A, ground terminal block



Ex: KEMA 04ATEX2048 U / IECEx KEM 06.0027U



Ex: KEMA 04ATEX2048 U / IECEx KEM 06.0027U



Ex: KEMA 04ATEX2048 U / IECEx KEM 06.0027U

Technical data			
Width	Length	Height NS 35/7,5	
6.2	47.7	47.5	
		max. Ø [mm ²]	AWG
		0.14 - 6	26 - 10
IEC 60947-7-2			
IEC	UL/CUL	CSA	IEC/EN 60079-7
-	-	-	-
4	- / -	-	4
26 - 10	26-10	26-10	26 - 10
solid	stranded	Ferrule	
		Without / with plastic sleeve	
0.14 - 6	0.14 - 6	0.14 - 4	0.14 - 4
0.14 - 1.5	0.14 - 1.5	0.14 - 1.5	-
			0.5 - 2.5
9			
M3			
0.6 - 0.8			
PA			
V0			

Technical data			
Width	Length	Height NS 35/7,5	
8.2	47.7	47.5	
		max. Ø [mm ²]	AWG
		0.2 - 10	24 - 8
IEC 60947-7-2			
IEC	UL/CUL	CSA	IEC/EN 60079-7
-	-	-	-
6	- / -	-	6
24 - 8	24-8	24-8	24 - 8
solid	stranded	Ferrule	
		Without / with plastic sleeve	
0.2 - 10	0.2 - 10	0.25 - 6	0.25 - 6
0.2 - 2.5	0.2 - 2.5	0.25 - 1.5	-
			0.5 - 4
10			
M4			
1.5 - 1.8			
PA			
V0			

Technical data			
Width	Length	Height NS 35/7,5	
10.2	47.7	47.5	
I _{max} [A]		max. Ø [mm ²]	AWG
76		0.5 - 16	20 - 6
IEC 60947-7-2			
IEC	UL/CUL	CSA	IEC/EN 60079-7
-	-	-	-
57 / 10	- / -	-	-
10	-	-	10
20 - 6	20-6	20-6	20 - 6
solid	stranded	Ferrule	
		Without / with plastic sleeve	
0.5 - 16	0.5 - 16	0.5 - 10	0.5 - 10
0.5 - 4	0.5 - 4	0.5 - 2.5	-
			0.5 - 6
10			
M4			
1.5 - 1.8			
PA			
V0			

Ordering data		
Type	Order No.	Pcs. / Pkt.
UT 4-PE	3044128	50

Ordering data		
Type	Order No.	Pcs. / Pkt.
UT 6-PE	3044157	50

Ordering data			
Type	I _{max}	Order No.	Pcs. / Pkt.
UT 10-PE		3044173	50

Accessories ¹⁾		
D-UT 2,5/10	3047028	50
FBS 2-6	3030336	50
FBS 3-6	3030242	50
FBS 4-6	3030255	50
FBS 5-6	3030349	50
FBS 10-6	3030271	10
FBS 20-6	3030365	10
ATP-UT	3047167	50
PAI-4-N GY	3032871	10
MPS-MT	0201744	10
MPS-IH RD	0201676	10
PS-6	3030996	10
WS UT 4	3047332	10
SF-SL 0,6X3,5-100 S-VDE	1212587	10

Accessories ¹⁾		
D-UT 2,5/10	3047028	50
FBS 2-8	3030284	10
FBS 3-8	3030297	10
FBS 4-8	3030307	10
FBS 5-8	3030310	10
FBS 10-8	3030323	10
ATP-UT	3047167	50
PAI-4-N GY	3032871	10
PS-8	3031005	10
WS UT 6	3047345	10
SZS 1,0X4,0 VDE	1205066	10

Accessories ¹⁾			
AGK 4-UT 10		3047112	50
D-UT 2,5/10		3047028	50
FBS 2-10	57 A	3005947	10
ATP-UT		3047167	50
WS UT 10		3047361	10
SZS 1,0X4,0 VDE		1205066	10

UC-TM 6, UCT-TM 6 or ZB 6 (see Catalog 5)

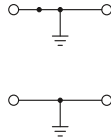
UC-TM 8, UCT-TM 8 or ZB 8 (see Catalog 5)

UC-TM 10, UCT-TM 10 or ZB 10 (see Catalog 5)

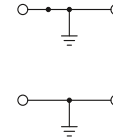
UT screw connection terminal blocks

UT ...-PE ground terminal blocks

Notes:
For current carrying capacity of DIN rails, see page 716.
1) For installation notes on the use of accessories for Ex e applications, see page 710.
2) See page 466.
3) UT 16-PE/S: screw thread / tightening torque of screw PE foot: M4 / 1.5-1.8 Nm UT 35-PE/S: screw thread / tightening torque of screw PE foot: M5 / 2.5-3 Nm



16 (25) mm², 101 A, ground terminal block



35 (35) mm², 125 A, ground terminal block



Ex: KEMA 04ATEX2048 U / IECEx KEM 06.0027U

Technical data				
Width	Length	Height NS 35/7,5		
12.2	55.5	55		
Width	Length	Height NS 35/15		
12.2	55.5	62.5		
Width	Length	Height NS 32		
12.2	55.5	-		
I_{max} [A]		max. Ø [mm ²]	AWG	
101		1.5 - 25	16 - 4	
IEC 60947-7-2				
IEC	UL/CUL	CSA	IEC/ EN 60079-7	
Rated voltage	[V]	-	-	
Nominal current / cross section	[A] / [mm ²]	76 / 16	- / -	-
Rated cross section	[mm ²]	16	-	
Cross section range	AWG	16 - 4	16-4	
Connection capacity		solid	stranded	Ferrule
		Without / with plastic sleeve		
1 conductor	[mm ²]	1.5 - 25	1.5 - 25	1 - 16
Two conductors (of the same type)	[mm ²]	1 - 6	1 - 6	-
Two stranded conductors with a TWIN ferrule	[mm ²]			0.75 - 10
General data				
Stripping length	[mm]	14		
Screw thread		M5		
Mounting: thread / torque	- / [Nm]	- / -		
Tightening torque	[Nm]	2.5 - 3		
Insulating material		PA		
Inflammability class according to UL 94		V0		



Ex: KEMA 04ATEX2048 U / IECEx KEM 06.0027U

Technical data				
Width	Length	Height NS 35/7,5		
16	60.2	65.7		
Width	Length	Height NS 35/15		
16	60.2	73.2		
Width	Length	Height NS 32		
16	60.2	-		
I_{max} [A]		max. Ø [mm ²]	AWG	
125		1.5 - 35	16 - 2	
IEC 60947-7-2				
IEC	UL/CUL	CSA	IEC/ EN 60079-7	
Rated voltage	[V]	-	-	
Nominal current / cross section	[A] / [mm ²]	125 / 35	- / -	-
Rated cross section	[mm ²]	35	-	
Cross section range	AWG	16 - 2	14-2	
Connection capacity		solid	stranded	Ferrule
		Without / with plastic sleeve		
1.5 - 35	1.5 - 35	1.5 - 35	1.5 - 35	
1.5 - 16	1.5 - 10	1.5 - 10	-	
			1.5 - 16	
General data				
Stripping length	[mm]	18		
Screw thread		M6		
Mounting: thread / torque	- / [Nm]	- / -		
Tightening torque	[Nm]	3.2 - 3.7		
Insulating material		PA		
Inflammability class according to UL 94		V0		

Ordering data			
Type	I _{max}	Order No.	Pcs. / Pkt.
UT 16-PE		3044212	50
UT 16-PE/S		3215915	50

Ordering data			
Type	I _{max}	Order No.	Pcs. / Pkt.
UT 35-PE		3044241	50
UT 35-PE/S		3215928	50

Description	No. of pos.	Color
Ground terminal block, for mounting on NS 35...		green-yellow
Ground terminal block, for assembly on NS 35 ..., with screwfix ³⁾		green-yellow
Ground terminal block, with green-yellow insulating housing, for mounting on NS 32, NS 35/15-2,3 or NS 35/15		green-yellow

Accessories ¹⁾			
AGK 4-UT 16		3047125	50
D-UT 16		3047206	50
FBS 2-12	76 A	3005950	10
WS UT 16		3047374	10
SZS 1,0X6,5 VDE		1205079	10

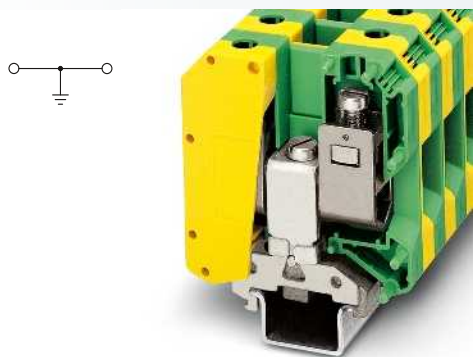
Accessories ¹⁾			
AGK 4-UT 35		3047138	50
FBS 2-16	101 A	3005963	10
WS UT 35		3047387	10
SZS 1,0X6,5 VDE		1205079	10

Pick-off terminal block, for snapping into the lateral guide		gray
Cover, width 2.2 mm		gray
Plug-in bridge	2	red
Insertion profile, levels out the prism-shaped sleeve when using flat-ribbon conductors ²⁾		silver
Warning label, for UT series		yellow
Screwdriver		
Allen wrench, fully insulated, safety tool in accordance with EN 60900, length: 150 mm, handle width: 110 mm		

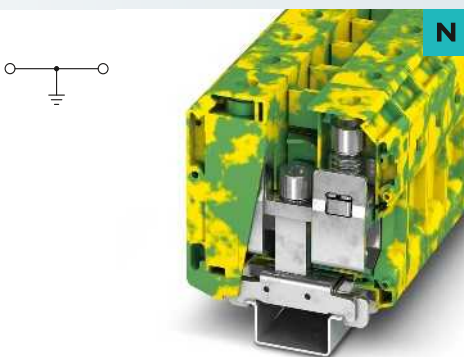
Lateral groove labeling		
-------------------------	--	--

UC-TM 12, UCT-TM 12 or ZB 12 (see Catalog 5)		
--	--	--

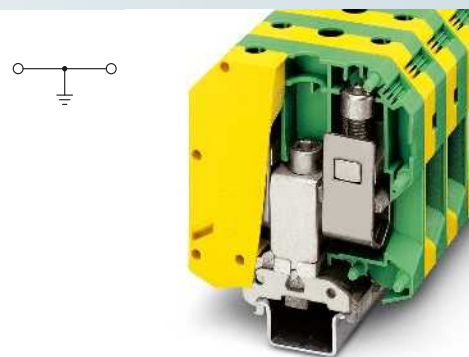
UC-TM 16, UCT-TM 16 or ZB 16,3 (see Catalog 5)		
--	--	--



50 (70) mm², 150 A, ground terminal block



70 (95) mm², 192 A, ground terminal block



95 (95) mm², 232 A, ground terminal block



Ex: KEMA 99ATEX4487U / IECEx KEM 06.0035U

Technical data			
Width	Length	Height NS 35/7,5	
20	70.5	-	
Width	Length	Height NS 35/15	
20	70.5	83.5	
Width	Length	Height NS 32	
20	70.5	81.5	
I _{max} [A]		max. Ø [mm ²]	AWG
150		16 - 70	6 - 1/0
IEC 60947-7-2			
IEC	UL/CUL	CSA	IEC/ EN 60079-7
-	-	-	-
150 / 50	- / -	-	-
50	-	-	50
6 - 1/0	6 - 1/0	-	6 - 1/0
solid	stranded	Ferrule	
		Without / with plastic sleeve	
16 - 70	16 - 70	25 - 50	25 - 50
10 - 16	10 - 16	10 - 16	-

Technical data			
Width	Length	Height NS 35/7,5	
20.3	70.5	-	
Width	Length	Height NS 35/15	
20.3	70.5	87.5	
Width	Length	Height NS 32	
20.3	70.5	-	
I _{max} [A]		max. Ø [mm ²]	AWG
192		16 - 95	4 - 3/0
IEC 60947-7-2			
IEC	UL/CUL	CSA	IEC/ EN 60079-7
-	-	-	-
192 / 70	- / -	-	-
70	-	-	-
4 - 3/0	-	-	-
solid	stranded	Ferrule	
		Without / with plastic sleeve	
16 - 95	25 - 70	16 - 70	16 - 70
16 - 25	16 - 25	16 - 25	-



Ex: KEMA 99ATEX4487U / IECEx KEM 06.0035U

Technical data			
Width	Length	Height NS 35/7,5	
25	83	-	
Width	Length	Height NS 35/15	
25	83	97.5	
Width	Length	Height NS 32	
25	83	95.5	
I _{max} [A]		max. Ø [mm ²]	AWG
232		25 - 95	4 - 3/0
IEC 60947-7-2			
IEC	UL/CUL	CSA	IEC/ EN 60079-7
-	-	-	-
232 / 95	- / -	-	-
95	-	-	95
4 - 3/0	2 - 4/0	2 - 4/0	4 - 3/0
solid	stranded	Ferrule	
		Without / with plastic sleeve	
25 - 95	25 - 95	35 - 95	35 - 95
25 - 35	25 - 35	16 - 35	-

24	M6	M6 / 6 - 8
6 - 8	PA	V0

24	M8	M6 / 6 - 8
8 - 10	PA	V0

30	M8	M8 / 15 - 20
15 - 20	PA	V2

Ordering data		
Type	Order No.	Pcs. / Pkt.
USLKG 50	0443049	10

Ordering data		
Type	Order No.	Pcs. / Pkt.
UKH 70-PE/S	3213141	10

Ordering data		
Type	Order No.	Pcs. / Pkt.
USLKG 95	0441041	10

Accessories ¹⁾		
UKH 50 EP	3009228	10
SZS 1,2X8,0 VDE	1205082	10

Accessories ¹⁾		
UKH 50 EP	3009228	10
VDE-ISS 6	1201934	1

Accessories ¹⁾		
UKH 95 EP	3009231	10
VDE-ISS 6	1201934	1

UC-TM 10, UCT-TM 10 or ZB 10 (see Catalog 5)

UC-TM 10, UCT-TM 10 or ZB 10 (see Catalog 5)

UC-TM 10, UCT-TM 10 or ZB 10 (see Catalog 5)

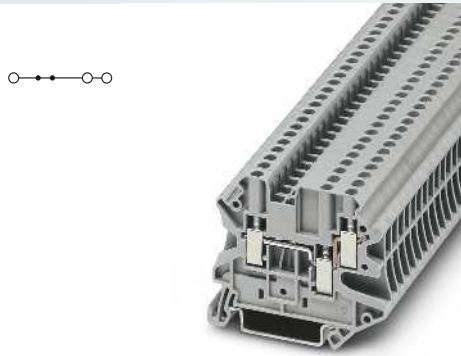
UT screw connection terminal blocks

UT ...-TWIN feed-through and PE terminal blocks with 3 connections

UT ...-TWIN terminal blocks with single-sided double connection enable:

- Space-saving and practical multi-conductor connection without additional bridge
- All potential distribution tasks can be undertaken with ease

Notes:
For current carrying capacity of DIN rails, see page 716.
1) The total current of all connected conductors must not exceed the max. load current.
2) For installation notes on the use of accessories for Ex e applications, see page 710.



2.5 (4) mm², 30 A, feed-through terminal block, 3 connections

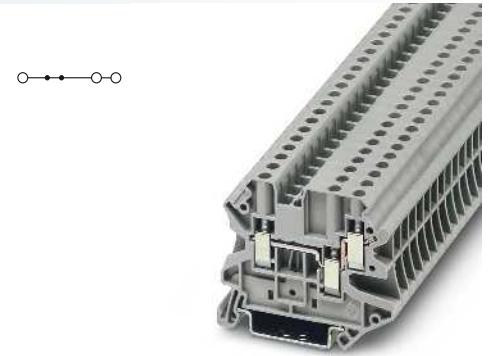


Ex: KEMA 06ATEX0017 U / IECEx KEM 06.0013U

Technical data				
Width	Length	Height NS 35/7,5		
5.2	57.8	47.5		
I_{max} [A]	U_{max} [V]	max. Ø [mm²]	AWG	
30 ¹⁾	500	0.14 - 4	26 - 12	
IEC 60947-7-1				
IEC	UL/CUL	CSA	IEC/EN 60079-7	
500	150	150	352	
24 ¹⁾ / 2.5	20 / -	20 / -	21 / 2.5 // 25 / 4	
2.5	-	-	2.5	
Cross section range	AWG	26-12	26-12	26 - 12
Connection capacity				
	solid	stranded	Ferrule	
			Without / with plastic sleeve	
1 conductor	0.14 - 4	0.14 - 4	0.14 - 2.5	0.14 - 2.5
Two conductors (of the same type)	0.14 - 1.5	0.14 - 1.5	0.14 - 1.5	-
Two stranded conductors with a TWIN ferrule				0.5 - 1
General data				
Stripping length	[mm]			
Screw thread	M3			
Tightening torque	[Nm]			
Insulating material	PA			
Inflammability class according to UL 94	V0			

Ordering data						
Description	No. of pos.	Color	Type	I_{max}	Order No.	Pcs. / Pkt.
Terminal block, for mounting on NS 35...		gray	UT 2,5-TWIN		3044513	50
		blue	UT 2,5-TWIN BU		3044526	50
Ground terminal block, for mounting on NS 35...		green-yellow				

Accessories ²⁾						
Cover, width 2.2 mm	gray		D-UT 2,5/4-TWIN	3047141	50	
End cover segment, for covering multi-conductor terminal blocks when two-conductor terminal blocks are aligned	gray		DS-UT 2,5/4	3047109	50	
Plug-in bridge	No. of pos.	Color	FBS 2-5	24 A	3030161	50
	2	red	FBS 3-5	24 A	3030174	50
	3	red	FBS 4-5	24 A	3030187	50
	4	red	FBS 5-5	24 A	3030190	50
	5	red	FBS 10-5	24 A	3030213	10
	10	red	FBS 20-5	24 A	3030226	10
	20	red	ATP-UT-TWIN		3047183	50
Partition plate, 2.2 mm wide	gray		PAI-4-N GY		3032871	10
Test adapter, 4-mm test socket hole	gray		MPS-MT		0201744	10
Test plug metal part, 2.3 mm Ø			MPS-IH RD		0201676	10
Insulating sleeve, for MPS metal part	red		PS-5		3030983	10
Modular test plug, for the individual assembly of test plug strips	red		WS UT 2,5		3047923	10
Warning label, for UT series	yellow		SF-SL 0,6X3,5-100 S-VDE		1212587	10
Screwdriver			UC-TM 5, UCT-TM 5 or ZB 5 (see Catalog 5)			



4 (6) mm², 41 A, feed-through terminal block, 3 connections

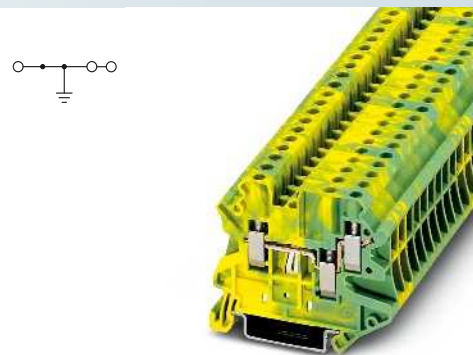
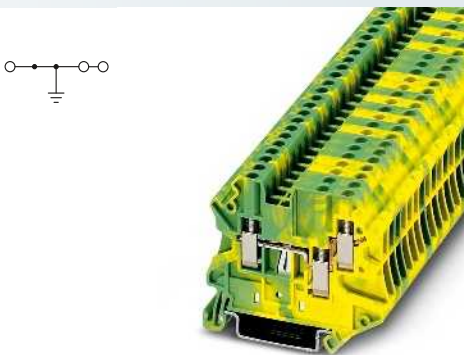
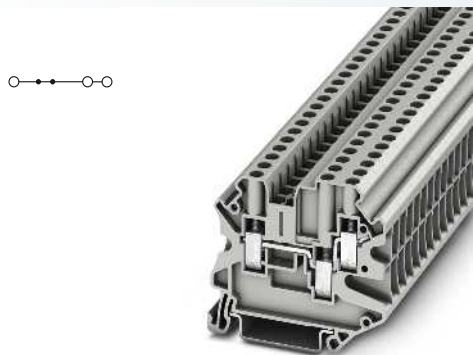


Ex: KEMA 06ATEX0017 U / IECEx KEM 06.0013U

Technical data				
Width	Length	Height NS 35/7,5		
6.2	57.8	47.5		
I_{max} [A]	U_{max} [V]	max. Ø [mm²]	AWG	
41 ¹⁾	500	0.14 - 6	26 - 10	
IEC 60947-7-1				
IEC	UL/CUL	CSA	IEC/EN 60079-7	
500	150	150	352	
32 ¹⁾ / 4	30 / -	30 / -	29 / 4 // 35 / 6	
4	-	-	4	
Cross section range	AWG	26-10	26-10	26 - 10
Connection capacity				
	solid	stranded	Ferrule	
			Without / with plastic sleeve	
1 conductor	0.14 - 6	0.14 - 6	0.14 - 4	0.14 - 4
Two conductors (of the same type)	0.14 - 1.5	0.14 - 1.5	0.14 - 1.5	-
Two stranded conductors with a TWIN ferrule				0.5 - 1
General data				
Stripping length	[mm]			
Screw thread	M3			
Tightening torque	[Nm]			
Insulating material	PA			
Inflammability class according to UL 94	V0			

Ordering data						
Description	No. of pos.	Color	Type	I_{max}	Order No.	Pcs. / Pkt.
Terminal block, for mounting on NS 35...		gray	UT 4-TWIN		3044364	50
		blue	UT 4-TWIN BU		3044500	50
Ground terminal block, for mounting on NS 35...		green-yellow				

Accessories ²⁾						
Cover, width 2.2 mm	gray		D-UT 2,5/4-TWIN	3047141	50	
End cover segment, for covering multi-conductor terminal blocks when two-conductor terminal blocks are aligned	gray		DS-UT 2,5/4	3047109	50	
Plug-in bridge	No. of pos.	Color	FBS 2-6	32 A	3030336	50
	2	red	FBS 3-6	32 A	3030242	50
	3	red	FBS 4-6	32 A	3030255	50
	4	red	FBS 5-6	32 A	3030349	50
	5	red	FBS 10-6	32 A	3030271	10
	10	red	FBS 20-6	32 A	3030365	10
	20	red	ATP-UT-TWIN		3047183	50
Partition plate, 2.2 mm wide	gray		PAI-4-N GY		3032871	10
Test adapter, 4-mm test socket hole	gray		MPS-MT		0201744	10
Test plug metal part, 2.3 mm Ø			MPS-IH RD		0201676	10
Insulating sleeve, for MPS metal part	red		PS-6		3030996	10
Modular test plug, for the individual assembly of test plug strips	red		WS UT 4		3047332	10
Warning label, for UT series	yellow		SF-SL 0,6X3,5-100 S-VDE		1212587	10
Screwdriver			UC-TM 6, UCT-TM 6 or ZB 6 (see Catalog 5)			



4 (6) mm², 41 A, 1000 V, feed-through terminal block, 3 connections

2.5 (4) mm², ground terminal block, 3 connections

4 (6) mm², ground terminal block, 3 connections



Ex: KEMA 06ATEX0017 U / IECEx KEM 06.0013U



Ex: KEMA 06ATEX0017 U / IECEx KEM 06.0013U

Technical data			
Width	Length	Height NS 35/7,5	
6.2	57.8	50	
I_{max} [A]	U_{max} [V]	max. Ø [mm ²]	AWG
39 ¹⁾	1000	0.14 - 6	26 - 10
IEC 60947-7-1			
IEC	UL/CUL	CSA	IEC/EN 60079-7
1000	-	-	-
32 ¹⁾ / 4	- / -	-	-
4	-	-	-
26 - 10	-	-	-
solid	stranded	Ferrule Without / with plastic sleeve	
0.14 - 6	0.14 - 6	0.14 - 4	0.14 - 4
0.14 - 1.5	0.14 - 1.5	0.14 - 1.5	-
			0.5 - 1
9	M3	0.6 - 0.8	PA
			V0

Technical data			
Width	Length	Height NS 35/7,5	
5.2	57.8	47.5	
I_{max} [A]	U_{max} [V]	max. Ø [mm ²]	AWG
-	-	0.14 - 4	26 - 12
IEC 60947-7-2			
IEC	UL/CUL	CSA	IEC/EN 60079-7
-	-	-	-
-	- / -	-	-
2.5	-	-	2.5
26 - 12	26-12	26-12	26 - 12
solid	stranded	Ferrule Without / with plastic sleeve	
0.14 - 4	0.14 - 4	0.14 - 2.5	0.14 - 2.5
0.14 - 1.5	0.14 - 1.5	0.14 - 1.5	-
			0.5 - 1
9	M3	0.5 - 0.6	PA
			V0

Technical data			
Width	Length	Height NS 35/7,5	
6.2	57.8	47.5	
I_{max} [A]	U_{max} [V]	max. Ø [mm ²]	AWG
-	-	0.14 - 6	26 - 10
IEC 60947-7-2			
IEC	UL/CUL	CSA	IEC/EN 60079-7
-	-	-	-
-	- / -	-	-
4	-	-	4
26 - 10	26-10	26-10	26 - 10
solid	stranded	Ferrule Without / with plastic sleeve	
0.14 - 6	0.14 - 6	0.14 - 4	0.14 - 4
0.14 - 1.5	0.14 - 1.5	0.14 - 1.5	-
			0.5 - 1
9	M3	0.6 - 0.8	PA
			V0

Ordering data			
Type	I_{max}	Order No.	Pcs. / Pkt.
UT 4-TWIN HV		3000608	50

Ordering data			
Type		Order No.	Pcs. / Pkt.
UT 2,5-TWIN-PE		3044539	50

Ordering data			
Type		Order No.	Pcs. / Pkt.
UT 4-TWIN-PE		3044380	50

Accessories ²⁾			
D-UT 4-TWIN HV		3000710	50
FBS 2-6	32 A	3030336	50
FBS 3-6	32 A	3030242	50
FBS 4-6	32 A	3030255	50
FBS 5-6	32 A	3030349	50
FBS 10-6	32 A	3030271	10
FBS 20-6	32 A	3030365	10
PAI-4-N GY		3032871	10
MPS-MT		0201744	10
MPS-IH RD		0201676	10
PS-6		3030996	10
WS UT 4		3047332	10
SF-SL 0,6X3,5-100 S-VDE		1212587	10

Accessories ²⁾			
D-UT 2,5/4-TWIN		3047141	50
DS-UT 2,5/4		3047109	50
FBS 2-5		3030161	50
FBS 3-5		3030174	50
FBS 4-5		3030187	50
FBS 5-5		3030190	50
FBS 10-5		3030213	10
FBS 20-5		3030226	10
ATP-UT-TWIN		3047183	50
PAI-4-N GY		3032871	10
MPS-MT		0201744	10
MPS-IH RD		0201676	10
PS-5		3030983	10
WS UT 2,5		3047923	10
SF-SL 0,6X3,5-100 S-VDE		1212587	10

Accessories ²⁾			
D-UT 2,5/4-TWIN		3047141	50
DS-UT 2,5/4		3047109	50
FBS 2-6		3030336	50
FBS 3-6		3030242	50
FBS 4-6		3030255	50
FBS 5-6		3030349	50
FBS 10-6		3030271	10
FBS 20-6		3030365	10
ATP-UT-TWIN		3047183	50
PAI-4-N GY		3032871	10
MPS-MT		0201744	10
MPS-IH RD		0201676	10
PS-6		3030996	10
WS UT 4		3047332	10
SF-SL 0,6X3,5-100 S-VDE		1212587	10

UC-TM 6, UCT-TM 6 or ZB 6 (see Catalog 5)

UC-TM 5, UCT-TM 5 or ZB 5 (see Catalog 5)

UC-TM 6, UCT-TM 6 or ZB 6 (see Catalog 5)

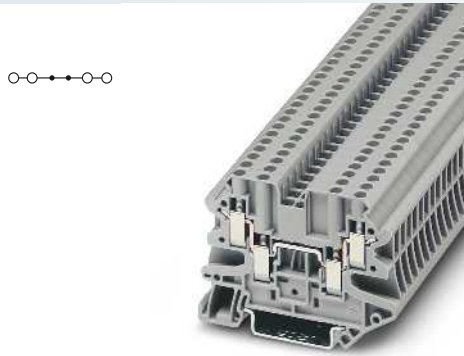
Modular terminal blocks - CLIPLINE complete

UT screw connection terminal blocks

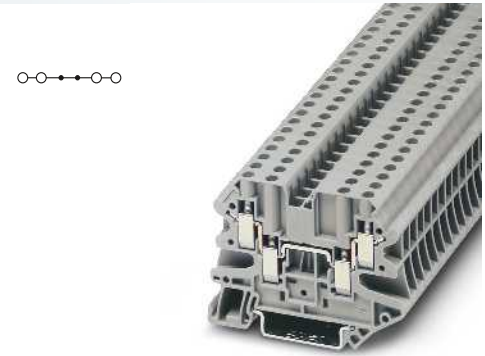
UT ...-QUATTRO feed-through and PE terminal blocks with 4 connections

– These variants can therefore be used as compact power distributors

Notes:
For current carrying capacity of DIN rails, see page 716.
1) The total current of all connected conductors must not exceed the max. load current.
2) For installation notes on the use of accessories for Ex e applications, see page 710.



2.5 (4) mm², 30 A, feed-through terminal block, 4 connections



4 (6) mm², 39 A, feed-through terminal block, 4 connections



Ex: KEMA 06ATEX0017 U / IECEx KEM 06.0013U

Technical data				
Width	Length	Height NS 35/7,5		
5.2	65.4	47.5		
I _{max} [A]	U _{max} [V]	max. Ø [mm ²]		AWG
30 ¹⁾	500	0.14 - 4		26 - 12
IEC 60947-7-1				
IEC	UL/CUL	CSA	IEC/EN 60079-7	
500	150	150	352	
24 ¹⁾ / 2.5	20 / -	20 / -	21 / 2.5 // 25 / 4	
2.5	-	-	2.5	
Cross section range	AWG		Ferrule	
26 - 12	26-12	26-12	26 - 12	
Connection capacity		Without / with plastic sleeve		
1 conductor	[mm ²]	0.14 - 4	0.14 - 4	0.14 - 2.5 0.14 - 2.5
Two conductors (of the same type)	[mm ²]	0.14 - 1.5	0.14 - 1.5	0.14 - 1.5 -
Two stranded conductors with a TWIN ferrule	[mm ²]	0.5 - 1		
General data				
Stripping length	[mm]	9		
Screw thread		M3		
Tightening torque	[Nm]	0.5 - 0.6		
Insulating material		PA		
Inflammability class according to UL 94		V0		



Ex: KEMA 06ATEX0017 U / IECEx KEM 06.0013U

Technical data				
Width	Length	Height NS 35/7,5		
6.2	65.4	47.5		
I _{max} [A]	U _{max} [V]	max. Ø [mm ²]		AWG
39 ¹⁾	500	0.14 - 6		26 - 10
IEC 60947-7-1				
IEC	UL/CUL	CSA	IEC/EN 60079-7	
500	150	150	352	
32 ¹⁾ / 4	30 / -	30 / -	29 / 4 // 33 / 6	
4	-	-	4	
Cross section range	AWG		Ferrule	
26 - 10	26-10	26-10	26 - 10	
Connection capacity		Without / with plastic sleeve		
1 conductor	[mm ²]	0.14 - 6	0.14 - 6	0.14 - 4 0.14 - 4
Two conductors (of the same type)	[mm ²]	0.14 - 1.5	0.14 - 1.5	0.14 - 1.5 -
Two stranded conductors with a TWIN ferrule	[mm ²]	0.5 - 1		
General data				
Stripping length	[mm]	9		
Screw thread		M3		
Tightening torque	[Nm]	0.6 - 0.8		
Insulating material		PA		
Inflammability class according to UL 94		V0		

Description	No. of pos.	Color
Terminal block , for mounting on NS 35...		gray blue
Ground terminal block , for mounting on NS 35...		green-yellow

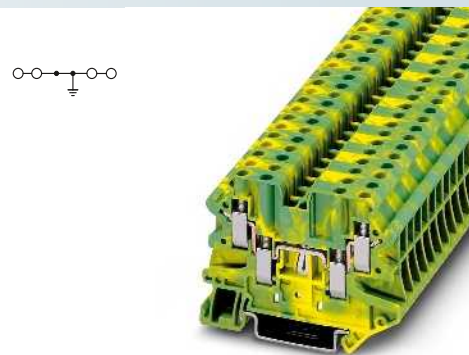
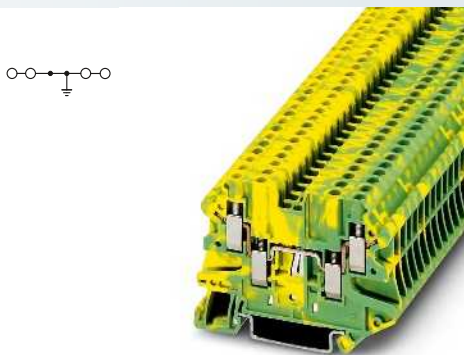
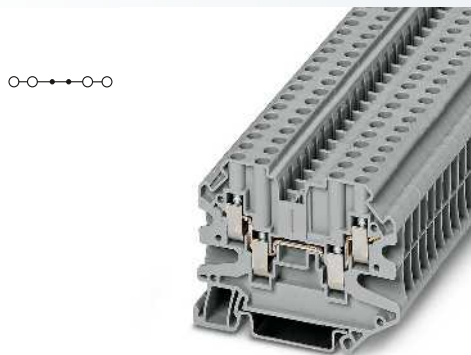
Ordering data				
Type	I _{max}	Order No.	Pcs. / Pkt.	
UT 2,5-QUATTRO		3044542	50	
UT 2,5-QUATTRO BU		3044555	50	

Ordering data				
Type	I _{max}	Order No.	Pcs. / Pkt.	
UT 4-QUATTRO		3044571	50	
UT 4-QUATTRO BU		3044584	50	

Accessories ²⁾	No. of pos.	Color
Cover , width 2.2 mm		gray
End cover segment , for covering multi-conductor terminal blocks when two-conductor terminal blocks are aligned		gray
Plug-in bridge		
	2	red
	3	red
	4	red
	5	red
	10	red
	20	red
Partition plate , 2.2 mm wide		gray
Test adapter , 4-mm test socket hole		gray
Test plug metal part , 2.3 mm Ø		
Insulating sleeve , for MPS metal part		red
Modular test plug , for the individual assembly of test plug strips		red
Warning label , for UT series		yellow
Screwdriver		
Lateral groove labeling		

Accessories ²⁾				
D-UT 2,5/4-QUATTRO	DS-UT 2,5/4			
FBS 2-5	24 A	3030161	50	
FBS 3-5	24 A	3030174	50	
FBS 4-5	24 A	3030187	50	
FBS 5-5	24 A	3030190	50	
FBS 10-5	24 A	3030213	10	
FBS 20-5	24 A	3030226	10	
ATP-UT-QUATTRO		3047196	50	
PAI-4-N GY		3032871	10	
MPS-MT		0201744	10	
MPS-IH RD		0201676	10	
PS-5		3030983	10	
WS UT 2,5		3047923	10	
SF-SL 0,6X3,5-100 S-VDE		1212587	10	
UC-TM 5, UCT-TM 5 or ZB 5 (see Catalog 5)				

Accessories ²⁾				
D-UT 2,5/4-QUATTRO	DS-UT 2,5/4			
FBS 2-6	32 A	3030336	50	
FBS 3-6	32 A	3030242	50	
FBS 4-6	32 A	3030255	50	
FBS 5-6	32 A	3030349	50	
FBS 10-6	32 A	3030271	10	
FBS 20-6	32 A	3030365	10	
ATP-UT-QUATTRO		3047196	50	
PAI-4-N GY		3032871	10	
MPS-MT		0201744	10	
MPS-IH RD		0201676	10	
PS-6		3030996	10	
WS UT 4		3047332	10	
SF-SL 0,6X3,5-100 S-VDE		1212587	10	
UC-TM 6, UCT-TM 6 or ZB 6 (see Catalog 5)				



4 (6) mm², 37 A, 1000 V, feed-through terminal block, 4 connections

2.5 (4) mm², ground terminal block, 4 connections

4 (6) mm², ground terminal block, 4 connections



Ex: KEMA 06ATEX0017 U / IECEx KEM 06.0013U

Ex: KEMA 06ATEX0017 U / IECEx KEM 06.0013U

Technical data			
Width	Length	Height NS 35/7,5	
6.2	65.4	50	
I_{max} [A]	U_{max} [V]	max. Ø [mm ²]	AWG
37 ¹⁾	1000	0.14 - 6	26 - 10
IEC 60947-7-1			
IEC	UL/CUL	CSA	IEC/EN 60079-7
1000	-	-	-
32 ¹⁾ / 4	- / -	-	-
4	-	-	-
26 - 10	-	-	-
solid	stranded	Ferrule	
		Without / with plastic sleeve	
0.14 - 6	0.14 - 6	0.14 - 4	0.14 - 4
0.14 - 1.5	0.14 - 1.5	0.14 - 1.5	-
			0.5 - 1
9			
M3			
0.6 - 0.8			
PA			
V0			

Technical data			
Width	Length	Height NS 35/7,5	
5.2	65.4	47.5	
I_{max} [A]	U_{max} [V]	max. Ø [mm ²]	AWG
37 ¹⁾	1000	0.14 - 4	26 - 12
IEC 60947-7-2			
IEC	UL/CUL	CSA	IEC/EN 60079-7
-	-	-	-
-	- / -	-	-
2.5	-	-	2.5
26 - 12	26-12	26-12	26 - 12
solid	stranded	Ferrule	
		Without / with plastic sleeve	
0.14 - 4	0.14 - 4	0.14 - 2.5	0.14 - 2.5
0.14 - 1.5	0.14 - 1.5	0.14 - 1.5	-
			0.5 - 1
9			
M3			
0.5 - 0.6			
PA			
V0			

Technical data			
Width	Length	Height NS 35/7,5	
6.2	65.4	47.5	
I_{max} [A]	U_{max} [V]	max. Ø [mm ²]	AWG
37 ¹⁾	1000	0.14 - 6	26 - 10
IEC 60947-7-2			
IEC	UL/CUL	CSA	IEC/EN 60079-7
-	-	-	-
-	- / -	-	-
4	-	-	4
26 - 10	26-10	26-10	26 - 10
solid	stranded	Ferrule	
		Without / with plastic sleeve	
0.14 - 6	0.14 - 6	0.14 - 4	0.14 - 4
0.14 - 1.5	0.14 - 1.5	0.14 - 1.5	-
			0.5 - 1
9			
M3			
0.6 - 0.8			
PA			
V0			

Ordering data			
Type	I_{max}	Order No.	Pcs. / Pkt.
UT 4-QUATTRO HV		3048823	50
UT 4-QUATTRO HV BU		3048836	50

Ordering data			
Type		Order No.	Pcs. / Pkt.
UT 2,5-QUATTRO-PE		3044568	50

Ordering data			
Type		Order No.	Pcs. / Pkt.
UT 4-QUATTRO-PE		3044597	50

Accessories ²⁾			
D-UT 4-QUATTRO HV		3048852	50
FBS 2-6	32 A	3030336	50
FBS 3-6	32 A	3030242	50
FBS 4-6	32 A	3030255	50
FBS 5-6	32 A	3030349	50
FBS 10-6	32 A	3030271	10
FBS 20-6	32 A	3030365	10
ATP-UT-QUATTRO		3047196	50
PAI-4-N GY		3032871	10
MPS-MT		0201744	10
MPS-IH RD		0201676	10
PS-6		3030996	10
WS UT 4		3047332	10
SF-SL 0,6X3,5-100 S-VDE		1212587	10

Accessories ²⁾			
D-UT 2,5/4-QUATTRO		3047170	50
DS-UT 2,5/4		3047109	50
FBS 2-5		3030161	50
FBS 3-5		3030174	50
FBS 4-5		3030187	50
FBS 5-5		3030190	50
FBS 10-5		3030213	10
FBS 20-5		3030226	10
ATP-UT-QUATTRO		3047196	50
PAI-4-N GY		3032871	10
MPS-MT		0201744	10
MPS-IH RD		0201676	10
PS-5		3030983	10
WS UT 2,5		3047923	10
SF-SL 0,6X3,5-100 S-VDE		1212587	10

Accessories ²⁾			
D-UT 2,5/4-QUATTRO		3047170	50
DS-UT 2,5/4		3047109	50
FBS 2-6		3030336	50
FBS 3-6		3030242	50
FBS 4-6		3030255	50
FBS 5-6		3030349	50
FBS 10-6		3030271	10
FBS 20-6		3030365	10
ATP-UT-QUATTRO		3047196	50
PAI-4-N GY		3032871	10
MPS-MT		0201744	10
MPS-IH RD		0201676	10
PS-6		3030996	10
WS UT 4		3047332	10
SF-SL 0,6X3,5-100 S-VDE		1212587	10

UC-TM 6, UCT-TM 6 or ZB 6 (see Catalog 5)

UC-TM 5, UCT-TM 5 or ZB 5 (see Catalog 5)

UC-TM 6, UCT-TM 6 or ZB 6 (see Catalog 5)

Modular terminal blocks - CLIPLINE complete

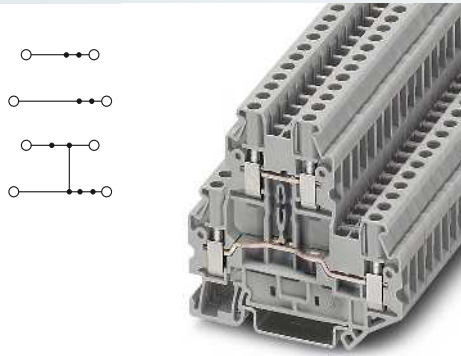
UT screw connection terminal blocks

UTTBTB ... double-level terminal blocks

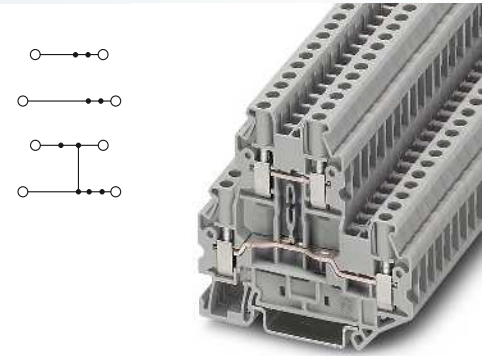
The compact double-level terminal blocks offer maximum wiring convenience with maximum space savings.

- Since they have two function shafts per level, all potential distribution work can be implemented at speed

Notes:
For current carrying capacity of DIN rails, see page 716.
1) The total current of all connected conductors must not exceed the max. load current.
2) For installation notes on the use of accessories for Ex e applications, see page 710.



2.5 (4) mm², 28 A, double-level terminal block



4 (6) mm², 36 A, double-level terminal block



Ex: KEMA 06ATEX0017 U / IECEx KEM 06.0013U

Technical data				
Width	Length	Height NS 35/7,5		
5.2	69.9	65		
I_{max} [A]	U_{max} [V]	max. Ø [mm ²]	AWG	
28	500	0.14 - 4	26 - 12	
IEC 60947-7-1				
IEC	UL/CUL	CSA	IEC/EN 60079-7	
Rated voltage [V]	500	600	352	
Nominal current / cross section [A] / [mm ²]	24 / 2.5	20 / -	20 / - 20 / 2.5 // 24 / 4	
Rated cross section [mm ²]	2.5	-	2.5	
Cross section range AWG	26 - 12	26-12	26 - 12	
Connection capacity	solid	stranded	Ferrule	
			Without / with plastic sleeve	
1 conductor [mm ²]	0.14 - 4	0.14 - 4	0.14 - 2.5	0.14 - 2.5
Two conductors (of the same type) [mm ²]	0.14 - 1.5	0.14 - 1.5	0.14 - 1.5	-
Two stranded conductors with a TWIN ferrule [mm ²]			0.5 - 1.5	
General data				
Stripping length [mm]	9			
Screw thread	M3			
Tightening torque [Nm]	0.5 - 0.6			
Insulating material	PA			
Inflammability class according to UL 94	V0			



Ex: KEMA 06ATEX0017 U / IECEx KEM 06.0013U

Technical data				
Width	Length	Height NS 35/7,5		
6.2	69.9	65		
I_{max} [A]	U_{max} [V]	max. Ø [mm ²]	AWG	
36	800	0.14 - 6	26 - 10	
IEC 60947-7-1				
IEC	UL/CUL	CSA	IEC/EN 60079-7	
Rated voltage [V]	800	600	440	
Nominal current / cross section [A] / [mm ²]	30 / 4	30 / -	30 / - 25.5 / 4 // 31.5 / 6	
Rated cross section [mm ²]	4	-	4	
Cross section range AWG	26 - 10	26-10	26 - 10	
Connection capacity	solid	stranded	Ferrule	
			Without / with plastic sleeve	
0.14 - 6	0.14 - 6	0.14 - 4	0.14 - 4	
0.14 - 1.5	0.14 - 1.5	0.14 - 1.5	-	
		0.5 - 2.5		
General data				
Stripping length [mm]	9			
Screw thread	M3			
Tightening torque [Nm]	0.6 - 0.8			
Insulating material	PA			
Inflammability class according to UL 94	V0			

Dimensions		
		[mm]
Max. electrical data		
Rated data		
Rated voltage [V]	500	
Nominal current / cross section [A] / [mm ²]	24 / 2.5	
Rated cross section [mm ²]	2.5	
Cross section range AWG	26 - 12	
Connection capacity		
1 conductor [mm ²]	0.14 - 4	
Two conductors (of the same type) [mm ²]	0.14 - 1.5	
Two stranded conductors with a TWIN ferrule [mm ²]	0.5 - 1.5	
General data		
Stripping length [mm]	9	
Screw thread	M3	
Tightening torque [Nm]	0.5 - 0.6	
Insulating material	PA	
Inflammability class according to UL 94	V0	

Ordering data						
Description	No. of pos.	Color	Type	I_{max}	Order No.	Pcs. / Pkt.
Terminal block, for mounting on NS 35...		gray	UTTBTB 2,5		3044636	50
		blue	UTTBTB 2,5 BU		3044649	50
Terminal block, with equipotential bond, for mounting on NS 35... ¹⁾		gray	UTTBTB 2,5-PV		3044652	50
Ground terminal block, for mounting on NS 35...		green-yellow				

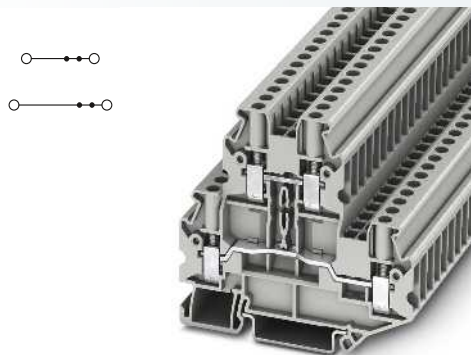
Ordering data						
Description	No. of pos.	Color	Type	I_{max}	Order No.	Pcs. / Pkt.
Terminal block, for mounting on NS 35...		gray	UTTBTB 4		3044814	50
		blue	UTTBTB 4 BU		3044791	50
Terminal block, with equipotential bond, for mounting on NS 35... ¹⁾		gray	UTTBTB 4-PV		3044733	50

Accessories ²⁾		
Cover, width 2.2 mm	gray	
Spacer plate, compensates for level offsets, width 2.5 mm	gray	
Plug-in bridge		
	2	red
	3	red
	4	red
	5	red
	10	red
	20	red
Vertical potential bridge, to connect the upper and lower level		
		black
Partition plate, 2.2 mm wide	gray	
Test adapter, 4-mm test socket hole	gray	
Test plug metal part, 2.3 mm Ø		
Insulating sleeve, for MPS metal part	red	
Modular test plug, for the individual assembly of test plug strips	red	
Screwdriver		
SF-SL 0,6X3,5-100 S-VDE		
Lateral groove labeling		
UC-TM 5, UCT-TM 5 or ZB 5 (see Catalog 5)		

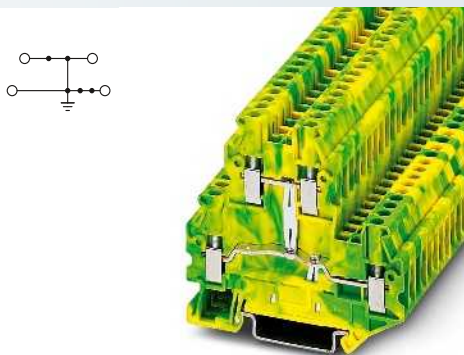
Accessories ²⁾				
D-UTTBTB 2,5/4		3047293	50	
DP-UTTBTB 2,5/4		3047303	50	
FBS 2-5	24 A	3030161	50	
FBS 3-5	24 A	3030174	50	
FBS 4-5	24 A	3030187	50	
FBS 5-5	24 A	3030190	50	
FBS 10-5	24 A	3030213	10	
FBS 20-5	24 A	3030226	10	
FBS-PV UT		3047358	50	
ATP-UTTBTB 2,5/4		3047316	50	
PAI-4-N GY		3032871	10	
MPS-MT		0201744	10	
MPS-IH RD		0201676	10	
PS-5		3030983	10	
SF-SL 0,6X3,5-100 S-VDE		1212587	10	
UC-TM 5, UCT-TM 5 or ZB 5 (see Catalog 5)				

Accessories ²⁾				
D-UTTBTB 2,5/4		3047293	50	
DP-UTTBTB 2,5/4		3047303	50	
FBS 2-6	30 A	3030336	50	
FBS 3-6	30 A	3030242	50	
FBS 4-6	30 A	3030255	50	
FBS 5-6	30 A	3030349	50	
FBS 10-6	30 A	3030271	10	
FBS 20-6	30 A	3030365	10	
FBS-PV UT		3047358	50	
ATP-UTTBTB 2,5/4		3047316	50	
PAI-4-N GY		3032871	10	
MPS-MT		0201744	10	
MPS-IH RD		0201676	10	
PS-6		3030996	10	
SF-SL 0,6X3,5-100 S-VDE		1212587	10	
UC-TM 6, UCT-TM 6 or ZB 6 (see Catalog 5)				

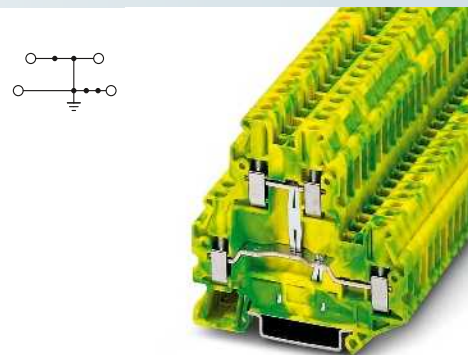
UT screw connection terminal blocks



4 (6) mm², 36 A, 1000 V, double-level terminal block



2.5 (4) mm², double-level ground terminal block



4 (6) mm², double-level ground terminal block



Ex: KEMA 06ATEX0017 U / IECEx KEM 06.0013U



Ex: KEMA 06ATEX0017 U / IECEx KEM 06.0013U

Technical data			
Width	Length	Height NS 35/7,5	
6.2	75.6	65	
I_{max} [A]	U_{max} [V]	max. Ø [mm ²]	AWG
36	1000	0.14 - 6	26 - 10
IEC 60947-7-1			
IEC	UL/CUL	CSA	IEC/EN 60079-7
1000	-	-	-
30 / 4	- / -	-	-
4	-	-	-
26 - 10	-	-	-
solid	stranded	Ferrule	
		Without / with plastic sleeve	
0.14 - 6	0.14 - 6	0.14 - 4	0.14 - 4
0.14 - 1.5	0.14 - 1.5	0.14 - 1.5	-
			0.5 - 2.5
9	M3	0.6 - 0.8	PA
			V0

Technical data			
Width	Length	Height NS 35/7,5	
5.2	69.9	65	
I_{max} [A]	U_{max} [V]	max. Ø [mm ²]	AWG
		0.14 - 4	26 - 12
IEC 60947-7-2			
IEC	UL/CUL	CSA	IEC/EN 60079-7
-	-	-	-
-	- / -	-	-
2.5	-	-	2.5
26 - 12	26-12	26-12	26 - 12
solid	stranded	Ferrule	
		Without / with plastic sleeve	
0.14 - 4	0.14 - 4	0.14 - 2.5	0.14 - 2.5
0.14 - 1.5	0.14 - 1.5	0.14 - 1.5	-
			0.5 - 1.5
9	M3	0.5 - 0.6	PA
			V0

Technical data			
Width	Length	Height NS 35/7,5	
6.2	69.9	65	
I_{max} [A]	U_{max} [V]	max. Ø [mm ²]	AWG
		0.14 - 6	26 - 10
IEC 60947-7-2			
IEC	UL/CUL	CSA	IEC/EN 60079-7
-	-	-	-
-	- / -	-	-
4	-	-	4
26 - 10	26-10	26-10	26 - 10
solid	stranded	Ferrule	
		Without / with plastic sleeve	
0.14 - 6	0.14 - 6	0.14 - 4	0.14 - 4
0.14 - 1.5	0.14 - 1.5	0.14 - 1.5	-
			0.5 - 2.5
9	M3	0.6 - 0.8	PA
			V0

Ordering data			
Type	I_{max}	Order No.	Pcs. / Pkt.
UTT 4 HV		3000610	50

Ordering data			
Type		Order No.	Pcs. / Pkt.
UTT 2,5-PE		3044665	50

Ordering data			
Type		Order No.	Pcs. / Pkt.
UTT 4-PE		3044759	50

Accessories ²⁾			
D-UTT 4 HV		3000709	50
DP-UTT 2,5/4		3047303	50
FBS 2-6	30 A	3030336	50
FBS 3-6	30 A	3030242	50
FBS 4-6	30 A	3030255	50
FBS 5-6	30 A	3030349	50
FBS 10-6	30 A	3030271	10
FBS 20-6	30 A	3030365	10
FBS-PV UT		3047358	50
ATP-UTT 2,5/4		3047316	50
PS-6		3030996	10
SF-SL 0,6X3,5-100 S-VDE		1212587	10

Accessories ²⁾			
D-UTT 2,5/4		3047293	50
DP-UTT 2,5/4		3047303	50
FBS 2-5		3030161	50
FBS 3-5		3030174	50
FBS 4-5		3030187	50
FBS 5-5		3030190	50
FBS 10-5		3030213	10
FBS 20-5		3030226	10
ATP-UTT 2,5/4		3047316	50
PAI-4-N GY		3032871	10
MPS-MT		0201744	10
MPS-IH RD		0201676	10
PS-5		3030983	10
SF-SL 0,6X3,5-100 S-VDE		1212587	10

Accessories ²⁾			
D-UTT 2,5/4		3047293	50
DP-UTT 2,5/4		3047303	50
FBS 2-6		3030336	50
FBS 3-6		3030242	50
FBS 4-6		3030255	50
FBS 5-6		3030349	50
FBS 10-6		3030271	10
FBS 20-6		3030365	10
ATP-UTT 2,5/4		3047316	50
PAI-4-N GY		3032871	10
MPS-MT		0201744	10
MPS-IH RD		0201676	10
PS-6		3030996	10
SF-SL 0,6X3,5-100 S-VDE		1212587	10

UC-TM 6, UCT-TM 6 or ZB 6 (see Catalog 5)

UC-TM 5, UCT-TM 5 or ZB 5 (see Catalog 5)

UC-TM 6, UCT-TM 6 or ZB 6 (see Catalog 5)

UT screw connection terminal blocks

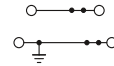
UTTB ... double-level terminal blocks

- The types ...PE/L and ...PE/N provide ground conductor connection with the DIN rail in the lower level
- The upper level is designed as a feed-through level
- Clear and unambiguous potential distribution due to color coding of the housing surfaces.

Offset levels

- Offset levels provide:
 - Unobstructed access to the lower connection level if fully wired
 - Better view of the lower labeling signs and conductor entry funnel

Notes:
For current carrying capacity of DIN rails, see page 716.



2.5 (4) mm², 28 A, double-level ground terminal block



Dimensions	
	[mm]
Max. electrical data	
Rated data	
Rated voltage	[V]
Nominal current / cross section	[A] / [mm ²]
Rated cross section	[mm ²]
Cross section range	AWG
Connection capacity	
1 conductor	[mm ²]
Two conductors (of the same type)	[mm ²]
Two stranded conductors with a TWIN ferrule	[mm ²]
General data	
Stripping length	[mm]
Screw thread	
Tightening torque	[Nm]
Insulating material	
Inflammability class according to UL 94	

Technical data				
Width	Length	Height NS 35/7,5		
5.2	69.9	65		
I _{max} [A]	U _{max} [V]	max. Ø [mm ²]	AWG	
28	500	0.14 - 4	26 - 12	
IEC 60947-7-1 / IEC 60947-7-2				
IEC	UL/CUL	CSA	IEC/EN 60079-7	
Rated voltage	300	600	-	
Nominal current / cross section	24 / 2.5	20 / -	20 / -	
Rated cross section	2.5	-	-	
Cross section range	26 - 12	26-12	26-12	
Connection capacity		solid	stranded	Ferrule
		Without / with plastic sleeve		
1 conductor	0.14 - 4	0.14 - 4	0.14 - 2.5	0.14 - 2.5
Two conductors (of the same type)	0.14 - 1.5	0.14 - 1.5	0.14 - 1.5	-
Two stranded conductors with a TWIN ferrule				0.5 - 1.5
Stripping length	9			
Screw thread	M3			
Tightening torque	0.5 - 0.6			
Insulating material	PA			
Inflammability class according to UL 94	V0			

Description	No. of pos.	Color
Terminal block, for mounting on NS 35...		gray

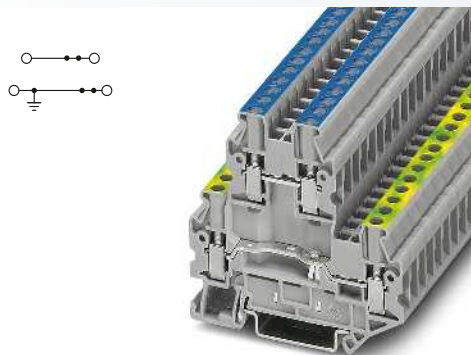
Ordering data			
Type	I _{max}	Order No.	Pcs. / Pkt.
UTTB 2,5-PE/L		3044678	50

Cover, width 2.2 mm		gray
Spacer plate, compensates for level offsets, width 2.5 mm		gray
Plug-in bridge		
	2	red
	3	red
	4	red
	5	red
	10	red
	20	red
Partition plate, 2.2 mm wide		gray
Test adapter, 4-mm test socket hole		gray
Test plug metal part, 2.3 mm Ø		
Insulating sleeve, for MPS metal part		red
Modular test plug, for the individual assembly of test plug strips		red
Screwdriver		
Lateral groove labeling		

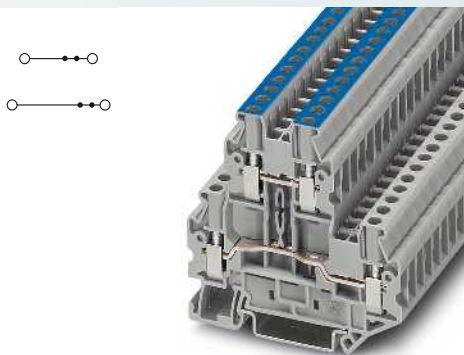
Accessories			
Type	I _{max}	Order No.	Pcs. / Pkt.
D-UTTB 2,5/4		3047293	50
DP-UTTB 2,5/4		3047303	50
FBS 2-5	24 A	3030161	50
FBS 3-5	24 A	3030174	50
FBS 4-5	24 A	3030187	50
FBS 5-5	24 A	3030190	50
FBS 10-5	24 A	3030213	10
FBS 20-5	24 A	3030226	10
ATP-UTTB 2,5/4		3047316	50
PAI-4-N GY		3032871	10
MPS-MT		0201744	10
MPS-IH RD		0201676	10
PS-5		3030983	10
SF-SL 0,6X3,5-100 S-VDE		1212587	10

UC-TM 5, UCT-TM 5 or ZB 5 (see Catalog 5)





2.5 (4) mm², 28 A, double-level ground terminal block



2.5 (4) mm², 28 A, double-level terminal block



Technical data			
Width	Length	Height NS 35/7,5	
5.2	69.9	65	
I_{max} [A]	U_{max} [V]	max. Ø [mm ²]	AWG
28	500	0.14 - 4	26 - 12
IEC 60947-7-1 / IEC 60947-7-2			
IEC	UL/CUL	CSA	IEC/EN 60079-7
500	300	600	-
24 / 2.5	20 / -	20 / -	-
2.5	-	-	-
26 - 12	26-12	26-12	-
solid	stranded	Ferrule	
		Without / with plastic sleeve	
0.14 - 4	0.14 - 4	0.14 - 2.5	0.14 - 2.5
0.14 - 1.5	0.14 - 1.5	0.14 - 1.5	-
			0.5 - 1.5

Technical data			
Width	Length	Height NS 35/7,5	
5.2	69.9	65	
I_{max} [A]	U_{max} [V]	max. Ø [mm ²]	AWG
28	500	0.14 - 4	26 - 12
IEC 60947-7-1			
IEC	UL/CUL	CSA	IEC/EN 60079-7
500	600	600	-
24 / 2.5	20 / -	20 / -	-
2.5	-	-	-
26 - 12	26-12	26-12	-
solid	stranded	Ferrule	
		Without / with plastic sleeve	
0.14 - 4	0.14 - 4	0.14 - 2.5	0.14 - 2.5
0.14 - 1.5	0.14 - 1.5	0.14 - 1.5	-
			0.5 - 1.5

9
M3
0.5 - 0.6
PA
V0

9
M3
0.5 - 0.6
PA
V0

Ordering data			
Type	I_{max}	Order No.	Pcs. / Pkt.
UTTB 2,5-PE/N		3046731	50

Ordering data			
Type	I_{max}	Order No.	Pcs. / Pkt.
UTTB 2,5-L/N		3044681	50

Accessories			
D-UTTB 2,5/4		3047293	50
DP-UTTB 2,5/4		3047303	50
FBS 2-5	24 A	3030161	50
FBS 3-5	24 A	3030174	50
FBS 4-5	24 A	3030187	50
FBS 5-5	24 A	3030190	50
FBS 10-5	24 A	3030213	10
FBS 20-5	24 A	3030226	10
ATP-UTTB 2,5/4		3047316	50
PAI-4-N GY		3032871	10
MPS-MT		0201744	10
MPS-IH RD		0201676	10
PS-5		3030983	10
SF-SL 0,6X3,5-100 S-VDE		1212587	10

Accessories			
D-UTTB 2,5/4		3047293	50
DP-UTTB 2,5/4		3047303	50
FBS 2-5	24 A	3030161	50
FBS 3-5	24 A	3030174	50
FBS 4-5	24 A	3030187	50
FBS 5-5	24 A	3030190	50
FBS 10-5	24 A	3030213	10
FBS 20-5	24 A	3030226	10
ATP-UTTB 2,5/4		3047316	50
PAI-4-N GY		3032871	10
MPS-MT		0201744	10
MPS-IH RD		0201676	10
PS-5		3030983	10
SF-SL 0,6X3,5-100 S-VDE		1212587	10

UC-TM 5, UCT-TM 5 or ZB 5
(see Catalog 5)

UC-TM 5, UCT-TM 5 or ZB 5
(see Catalog 5)

Modular terminal blocks - CLIPLINE complete

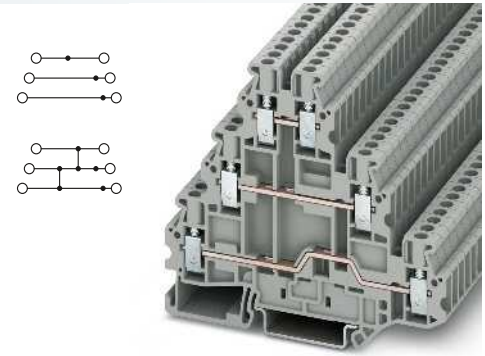
UT screw connection terminal blocks

UT 2,5 ... three-level terminal blocks

- A very high wiring density is achieved with the compact three-level terminal blocks
- Since function shafts are provided on each level, all potential distribution work can be implemented at speed
- Each terminal point can be given a large label for ease of recognition
- The ...PE/L/L and ...PE/L/N types offer clear and unambiguous assignment through the use of color coding of the housing surfaces

CLIP PROJECT Planning enables the quick and convenient planning and configuration of fault-free terminal strips.

Notes:
For current carrying capacity of DIN rails, see page 716.
1) The total current of all connected conductors must not exceed the max. load current.



2.5 (4) mm², 24 A, three-level terminal block



Dimensions	
	[mm]
Max. electrical data	
Rated data	
Rated voltage	[V]
Nominal current / cross section	[A] / [mm ²]
Rated cross section	[mm ²]
Cross section range	AWG
Connection capacity	
1 conductor	[mm ²]
Two conductors (of the same type)	[mm ²]
Two stranded conductors with a TWIN ferrule	[mm ²]
General data	
Stripping length	[mm]
Screw thread	
Tightening torque	[Nm]
Insulating material	
Inflammability class according to UL 94	

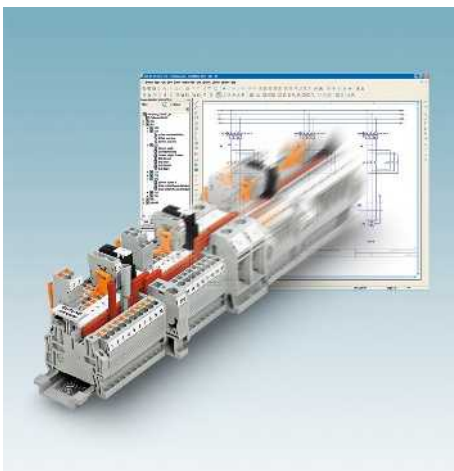
Technical data				
Width	Length	Height NS 35/7,5		
5.2	90	77.5		
I _{max} [A]	U _{max} [V]	max. Ø [mm ²]	AWG	
24	500	0.14 - 4	26 - 12	
IEC 60947-7-1				
IEC	UL/CUL	CSA	IEC/EN 60079-7	
500	600	600	-	
19 / 2.5	20 / -	20	-	
2.5	-	-	-	
26 - 12	26-12	26-12	-	
solid		stranded		Ferrule
		Without / with plastic sleeve		
0.14 - 4	0.14 - 4	0.14 - 2.5	0.14 - 2.5	
0.14 - 1.5	0.14 - 1.5	0.14 - 1.5	-	
		0.5 - 1		
9				
M3				
0.5 - 0.6				
PA				
V0				

Description	No. of pos.	Color
Terminal block, for mounting on NS 35...		gray
Terminal block, with equipotential bonder, for mounting on NS 35... ¹⁾		gray
Ground terminal block, for mounting on NS 35...		green/yellow
Terminal block, for mounting on NS 35...		gray
Terminal block, with LED for 12-30 V DC, 0.7-2.4 mA		gray

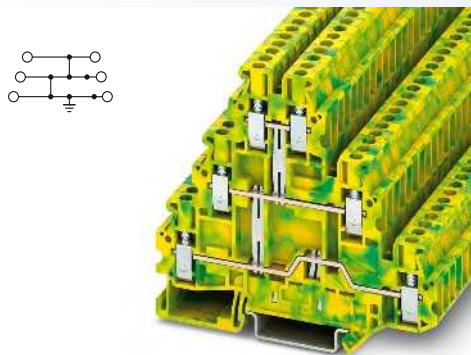
Ordering data			
Type	I _{max}	Order No.	Pcs. / Pkt.
UT 2,5-3L		3214259	50
UT 2,5-3PV		3214262	50

Cover, width 2.2 mm		gray
Plug-in bridge		
	2	red
	3	red
	4	red
	5	red
	10	red
	20	red
Partition plate, 2 mm wide		gray
Test adapter, 4-mm test socket hole		gray
Test plug metal part, 2.3 mm Ø		
Insulating sleeve, for MPS metal part		red
Modular test plug, for the individual assembly of test plug strips		red
Screwdriver		
Lateral groove labeling		

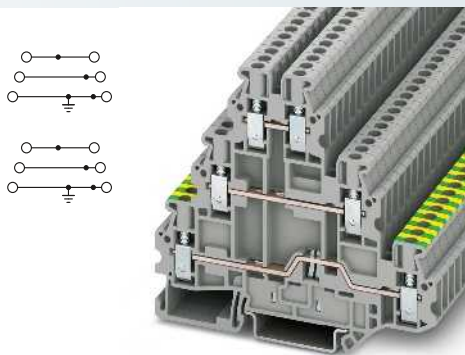
Accessories			
D-UT 2,5-3L		3214314	50
FBS 2-5	30 A	3030161	50
FBS 3-5	30 A	3030174	50
FBS 4-5	30 A	3030187	50
FBS 5-5	30 A	3030190	50
FBS 10-5	30 A	3030213	10
FBS 20-5	30 A	3030226	10
TP-UK		3003046	10
PAI-4-N GY		3032871	10
MPS-MT		0201744	10
MPS-IH RD		0201676	10
PS-5		3030983	10
SF-SL 0,6X3,5-100 S-VDE		1212587	10
UC-TM 5, UCT-TM 5 or ZB 5 (see Catalog 5)			



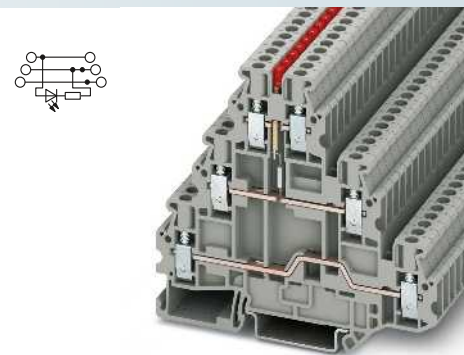
UT screw connection terminal blocks



2.5 (4) mm², three-level ground terminal block



2.5 (4) mm², 24 A, three-level terminal block with PE foot



2.5 (4) mm², 24 A, three-level terminal block with LED



Technical data			
Width	Length	Height NS 35/7,5	
5.2	90	77.5	
		max. Ø [mm ²]	AWG
		0.14 - 4	26 - 12
IEC 60947-7-2			
IEC	UL/CUL	CSA	IEC/EN 60079-7
-	-	-	-
-	-/-	-	-
2.5	-	-	-
26 - 12	26-12	26-12	-
solid	stranded	Ferrule	
		Without / with plastic sleeve	
0.14 - 4	0.14 - 4	0.14 - 2.5	0.14 - 2.5
0.14 - 1.5	0.14 - 1.5	0.14 - 1.5	-
			0.5 - 1.5
9	M3	0.5 - 0.6	PA
			V0

Technical data			
Width	Length	Height NS 35/7,5	
5.2	90	77.5	
I _{max} [A]	U _{max} [V]	max. Ø [mm ²]	AWG
24	500	0.14 - 4	26 - 12
IEC 60947-7-1 / IEC 60947-7-2			
IEC	UL/CUL	CSA	IEC/EN 60079-7
500	600	600	-
19 / 2.5	20 / -	20	-
2.5	-	-	-
26 - 12	26-12	26-12	-
solid	stranded	Ferrule	
		Without / with plastic sleeve	
0.14 - 4	0.14 - 4	0.14 - 2.5	0.14 - 2.5
0.14 - 1.5	0.14 - 1.5	0.14 - 1.5	-
			0.5 - 1.5
9	M3	0.5 - 0.6	PA
			V0

Technical data			
Width	Length	Height NS 35/7,5	
5.2	90	77.5	
I _{max} [A]	U _{max} [V]	max. Ø [mm ²]	AWG
24	24	0.14 - 4	26 - 12
IEC 60947-7-2			
IEC	UL/CUL	CSA	IEC/EN 60079-7
24	600	24	-
19 / 2.5	20 / -	20	-
2.5	-	-	-
26 - 12	26-12	26-12	-
solid	stranded	Ferrule	
		Without / with plastic sleeve	
0.14 - 4	0.14 - 4	0.14 - 2.5	0.14 - 2.5
0.14 - 1.5	0.14 - 1.5	0.14 - 1.5	-
			0.5 - 1.5
9	M3	0.5 - 0.6	PA
			V0

Ordering data		
Type	Order No.	Pcs. / Pkt.
UT 2,5-3PE	3214275	50

Ordering data			
Type	I _{max}	Order No.	Pcs. / Pkt.
UT 2,5-PE/L/L		3214301	50
UT 2,5-PE/L/N		3214291	50

Ordering data			
Type	I _{max}	Order No.	Pcs. / Pkt.
UT 2,5-3L-LA24RD/O-M		3214288	50

Accessories		
D-UT 2,5-3L	3214314	50
FBS 2-5	3030161	50
FBS 3-5	3030174	50
FBS 4-5	3030187	50
FBS 5-5	3030190	50
FBS 10-5	3030213	10
FBS 20-5	3030226	10
TP-UK	3003046	10
PAI-4-N GY	3032871	10
MPS-MT	0201744	10
MPS-IH RD	0201676	10
PS-5	3030983	10
SF-SL 0,6X3,5-100 S-VDE	1212587	10

Accessories			
D-UT 2,5-3L	3214314	50	
FBS 2-5	30 A	3030161	50
FBS 3-5	30 A	3030174	50
FBS 4-5	30 A	3030187	50
FBS 5-5	30 A	3030190	50
FBS 10-5	30 A	3030213	10
FBS 20-5	30 A	3030226	10
TP-UK		3003046	10
PAI-4-N GY		3032871	10
MPS-MT		0201744	10
MPS-IH RD		0201676	10
PS-5		3030983	10
SF-SL 0,6X3,5-100 S-VDE		1212587	10

Accessories			
D-UT 2,5-3L	3214314	50	
FBS 2-5	30 A	3030161	50
FBS 3-5	30 A	3030174	50
FBS 4-5	30 A	3030187	50
FBS 5-5	30 A	3030190	50
FBS 10-5	30 A	3030213	10
FBS 20-5	30 A	3030226	10
TP-UK		3003046	10
PAI-4-N GY		3032871	10
MPS-MT		0201744	10
MPS-IH RD		0201676	10
PS-5		3030983	10
SF-SL 0,6X3,5-100 S-VDE		1212587	10

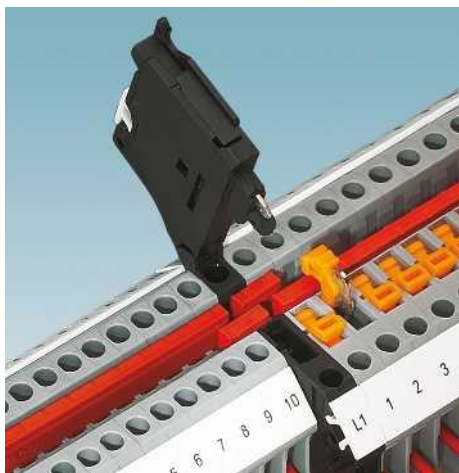
UC-TM 5, UCT-TM 5 or ZB 5
(see Catalog 5)

UC-TM 5, UCT-TM 5 or ZB 5
(see Catalog 5)

UC-TM 5, UCT-TM 5 or ZB 5
(see Catalog 5)

UT screw connection terminal blocks

UT ...-HESI/HEDI lever-type fuse and disconnect terminal blocks



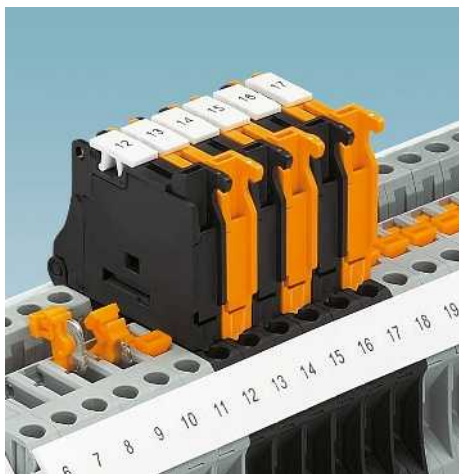
The lever-type fuse terminal blocks are characterized by:

- An extremely compact design
- Two function shafts mean that all potential distribution tasks can be undertaken at speed
- UT 4-MTD feed-through terminal blocks and UT 4-TG / -MT function terminal blocks of the same shape are available
- Test connection on both sides in safety lever
- The UT 4-HESI/LED 24 (5x20)120KOHM version, with a maximum LED leakage current of 0.49 mA, was developed especially for safety-related controllers

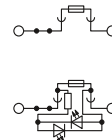
UT 4-HEDI lever-type disconnect terminal blocks

The lever-type disconnect terminal blocks have the same shape and pitch as the 5 x 20 mm lever-type fuse terminal blocks and allow for:

- A design to suit their function
- Continuous labeling of terminal points
- The dual function shaft allows two potentials running in parallel to be jumped separately
- Time-saving way of setting up potential in-feed



Notes:
1) If the fuse is faulty, the downstream circuit is not off load.
2) For max. power dissipation, see page 724.
3) The current is determined by the fuse used, the voltage by the light indicator.
4) The reducing bridge table should be followed, see page 476.



4 (6) mm², 6.3 A, lever-type fuse terminal block for 5 x 20 mm cartridge fuses



Dimensions		[mm]	
Max. electrical data			
Rated data			
Rated voltage	[V]	500 ³⁾	600
Nominal current / cross section	[A] / [mm ²]	6.3 / 1	6.3 / -
Rated cross section	[mm ²]	4	-
Cross section range	AWG	26 - 10	26-10
Connection capacity			
1 conductor	[mm ²]	0.14 - 6	0.14 - 6
Two conductors (of the same type)	[mm ²]	0.14 - 1.5	0.14 - 1.5
Two stranded conductors with a TWIN ferrule	[mm ²]		
General data			
Stripping length	[mm]	9	
Screw thread		M3	
Tightening torque	[Nm]	0.6 - 0.8	
Insulating material		PA	
Inflammability class according to UL 94		V0	

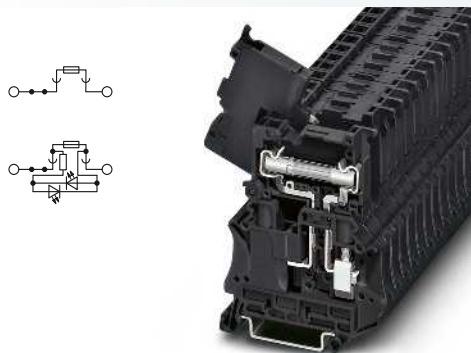
Technical data			
Width	Length	Height NS 35/7,5	
6.2	57.8	73	
I _{max} [A]	U _{max} [V]	max. Ø [mm ²]	AWG
6.3 ²⁾	500 ³⁾	0.14 - 6	26 - 10
IEC 60947-7-3			
IEC	UL/CUL	CSA	IEC/EN 60079-7
500 ³⁾	600	600	-
6.3 / 1	6.3 / -	6.3 / -	-
4	-	-	-
26 - 10	26-10	26-10	-
solid	stranded	Ferrule	
Without / with plastic sleeve			
0.14 - 6	0.14 - 6	0.14 - 4	0.14 - 4
0.14 - 1.5	0.14 - 1.5	0.14 - 1.5	-
			0.5 - 2.5

Description	No. of pos.	Color
Fuse terminal block , for mounting on NS 35..., for cartridge fuse inserts 5 x 20 mm.		black
With LED for 12-30 V AC/DC, 0.31-0.95 mA ¹⁾		black
With LED for 12-60 V AC/DC, 0.08-0.49 mA ¹⁾		black
For 30-60 V AC/DC, 0.40-0.86 mA ¹⁾		black
For 110-250 V AC/DC, 0.41-0.96 mA ¹⁾		black
Fuse terminal block , for mounting on NS 35..., for cartridge fuse inserts 6.3 x 32 mm		black
With LED for 12-30 V AC/DC, 0.31-0.95 mA ¹⁾		black
For 30-60 V AC/DC, 0.40-0.86 mA ¹⁾		black
For 110-250 V AC/DC, 0.41-0.96 mA ¹⁾		black
Disconnect terminal block , for mounting on NS 35...		black/orange
With test socket screws		black/orange

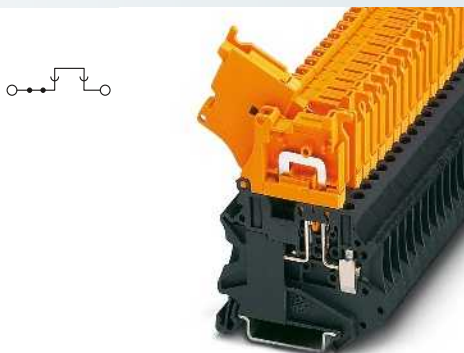
Ordering data			
Type	I _{max}	Order No.	Pcs. / Pkt.
UT 4-HESI (5X20)		3046032	50
UT 4-HESI/LED 24 (5X20)		3046090	50
UT 4-HESI/LED 24 (5X20) 120KOHM		3248005	50
UT 4-HESI/LED 60 (5X20)		3046126	50
UT 4-HESILA 250 (5X20)		3046100	50

Plug-in bridge	2	red
	3	red
	4	red
	5	red
	10	red
	20	red
Reducing bridge⁴⁾		
	2	red
Screwdriver		
		2
Lever labeling		
Lateral groove labeling		

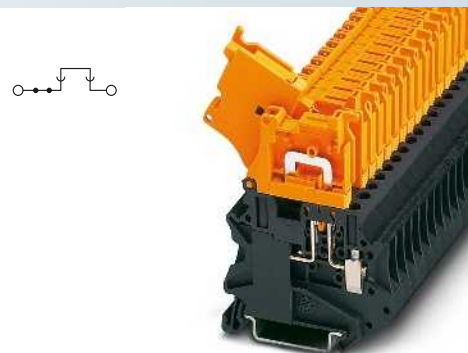
Accessories			
FBS 2-6	32 A	3030336	50
FBS 3-6	32 A	3030242	50
FBS 4-6	32 A	3030255	50
FBS 5-6	32 A	3030349	50
FBS 10-6	32 A	3030271	10
FBS 20-6	32 A	3030365	10
SF-SL 0,6X3,5-100 S-VDE		1212587	10
UC-TM 5, UCT-TM 5 or ZB 5 (see Catalog 5)			
UC-TM 6, UCT-TM 6 or ZB 6 (see Catalog 5)			



6 (10) mm², 10 A, lever-type fuse terminal block for 6.3 x 32 mm cartridge fuses



4 (6) mm², 20 A, lever-type disconnect terminal block, same shape



4 (6) mm², 20 A, lever-type disconnect terminal block, same shape, with test socket screw



Technical data			
Width	Length	Height NS 35/7,5	
8.2	57.8	73	
I_{max} [A]	U_{max} [V]	max. Ø [mm ²]	AWG
10 ²)	630 ²)	0.2 - 10	24 - 8
IEC 60947-7-3			
IEC	UL/CUL	CSA	IEC/EN 60079-7
630 ²)	600	600	-
10 ²) / 1.5	16 / -	10 / -	-
6	-	-	-
24 - 8	24-8	24-8	-
solid	stranded	Ferrule	
		Without / with plastic sleeve	
0.2 - 10	0.2 - 10	0.25 - 6	0.25 - 6
0.2 - 2.5	0.2 - 2.5	0.25 - 1.5	-
		0.5 - 4	
10			
M4			
1.5 - 1.8			
PA			
V0			

Technical data			
Width	Length	Height NS 35/7,5	
6.2	57.8	73	
I_{max} [A]	U_{max} [V]	max. Ø [mm ²]	AWG
20	500	0.14 - 6	26 - 10
IEC 60947-7-1			
IEC	UL/CUL	CSA	IEC/EN 60079-7
500	600	600	-
20 / 2.5	16 / -	16 / -	-
4	-	-	-
26 - 10	26-10	26-10	-
solid	stranded	Ferrule	
		Without / with plastic sleeve	
0.14 - 6	0.14 - 6	0.14 - 4	0.14 - 4
0.14 - 1.5	0.14 - 1.5	0.14 - 1.5	-
		0.5 - 2.5	
9			
M3			
0.6 - 0.8			
PA			
V0			

Technical data			
Width	Length	Height NS 35/7,5	
6.2	57.8	73	
I_{max} [A]	U_{max} [V]	max. Ø [mm ²]	AWG
20	500	0.14 - 6	26 - 10
IEC 60947-7-1			
IEC	UL/CUL	CSA	IEC/EN 60079-7
500	600	300	-
20 / 2.5	16 / -	16 / -	-
4	-	-	-
26 - 10	26-10	26-10	-
solid	stranded	Ferrule	
		Without / with plastic sleeve	
0.14 - 6	0.14 - 6	0.14 - 4	0.14 - 4
0.14 - 1.5	0.14 - 1.5	0.14 - 1.5	-
		0.5 - 2.5	
9			
M3			
0.6 - 0.8			
PA			
V0			

Ordering data			
Type	I_{max}	Order No.	Pcs. / Pkt.
UT 6-HESI (6,3X32)		3046401	50
UT 6-HESILED 24 (6,3X32)		3046414	50
UT 6-HESILED 60 (6,3X32)		3046427	50
UT 6-HESILA 250 (6,3X32)		3046430	50

Ordering data			
Type	I_{max}	Order No.	Pcs. / Pkt.
UT 4-HEDI		3046249	50

Ordering data			
Type	I_{max}	Order No.	Pcs. / Pkt.
UT 4-HEDI-P/P		3046252	50

Accessories			
FBS 2-8	41 A	3030284	10
FBS 3-8	41 A	3030297	10
FBS 4-8	41 A	3030307	10
FBS 5-8	41 A	3030310	10
FBS 10-8	41 A	3030323	10
RB UT 6-(2,5/4)		3047251	10
SZS 1,0X4,0 VDE		1205066	10

Accessories			
FBS 2-6	32 A	3030336	50
FBS 3-6	32 A	3030242	50
FBS 4-6	32 A	3030255	50
FBS 5-6	32 A	3030349	50
FBS 10-6	32 A	3030271	10
FBS 20-6	32 A	3030365	10
SF-SL 0,6X3,5-100 S-VDE		1212587	10

Accessories			
FBS 2-6	32 A	3030336	50
FBS 3-6	32 A	3030242	50
FBS 4-6	32 A	3030255	50
FBS 5-6	32 A	3030349	50
FBS 10-6	32 A	3030271	10
FBS 20-6	32 A	3030365	10
SZG 0,6X3,5 VDE		1205121	10

UC-TM 6, UCT-TM 6 or ZB 6
(see Catalog 5)
UC-TM 8, UCT-TM 8 or ZB 8
(see Catalog 5)

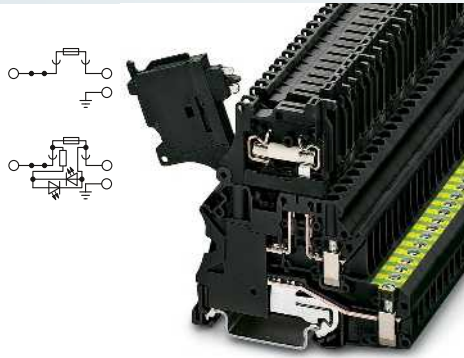
UC-TM 5, UCT-TM 5 or ZB 5
(see Catalog 5)
UC-TM 6, UCT-TM 6 or ZB 6
(see Catalog 5)

UC-TM 5, UCT-TM 5 or ZB 5
(see Catalog 5)
UC-TM 6, UCT-TM 6 or ZB 6
(see Catalog 5)

UT screw connection terminal blocks

UT 4-PE...HESI/-TG/-MT lever-type fuse and function terminal blocks with PE foot

Notes:
For current carrying capacity of DIN rails, see page 716.
For more plug-in bridges, see page 472..
1) The max. current is determined by the diode. Integrated: diode 1N 4007, reverse voltage: 1300 V, maximum continuous current: 0.5 A
2) If the fuse is faulty, the downstream circuit is not off load.
3) Observe max. load current.
4) Observe max. load current, depending on the power dissipation of the components. Max. 0.5 W with single arrangement.
5) For max. power dissipation, see page 724.
6) The current is determined by the fuse used, the voltage by the light indicator.



4 (6) mm², 6.3 A, lever-type fuse terminal block for 5 x 20 mm cartridge fuses, with PE foot



4 (6) mm², 20 A, lever-type disconnect terminal block, same shape, with PE foot



Technical data				
Width	Length	Height NS 35/7,5		
6.2	70.8	73		
I_{max} [A]	U_{max} [V]	max. Ø [mm ²]	AWG	
6.3 ²⁾	500 ⁶⁾	0.14 - 6	26 - 10	
IEC 60947-7-2 / IEC 60947-7-3				
IEC	UL/CUL	CSA	IEC/EN 60079-7	
Rated voltage [V]	500 ⁶⁾	600	-	-
Nominal current / cross section [A] / [mm ²]	6.3 / 1	10 / -	-	-
Rated cross section [mm ²]	4	-	-	-
Cross section range AWG	26 - 10	26-10	-	-
Connection capacity				
	solid	stranded	Ferrule Without / with plastic sleeve	
1 conductor [mm ²]	0.14 - 6	0.14 - 6	0.14 - 4	0.14 - 4
Two conductors (of the same type) [mm ²]	0.14 - 1.5	0.14 - 1.5	0.14 - 1.5	-
Two stranded conductors with a TWIN ferrule [mm ²]				0.5 - 1.5
General data				
Stripping length [mm]	9			
Screw thread	M3			
Tightening torque [Nm]	0.6 - 0.8			
Insulating material	PA			
Inflammability class according to UL 94	V0			



Technical data				
Width	Length	Height NS 35/7,5		
6.2	70.8	73		
I_{max} [A]	U_{max} [V]	max. Ø [mm ²]	AWG	
20	500	0.14 - 6	26 - 10	
IEC 60947-7-1 / IEC 60947-7-2				
IEC	UL/CUL	CSA	IEC/EN 60079-7	
Rated voltage [V]	500	600	-	-
Nominal current / cross section [A] / [mm ²]	20 / 2.5	16 / -	-	-
Rated cross section [mm ²]	4	-	-	-
Cross section range AWG	26 - 10	26-10	-	-
Connection capacity				
	solid	stranded	Ferrule Without / with plastic sleeve	
1 conductor [mm ²]	0.14 - 6	0.14 - 6	0.14 - 4	0.14 - 4
Two conductors (of the same type) [mm ²]	0.14 - 1.5	0.14 - 1.5	0.14 - 1.5	-
Two stranded conductors with a TWIN ferrule [mm ²]				0.5 - 1.5
General data				
Stripping length [mm]	9			
Screw thread	M3			
Tightening torque [Nm]	0.6 - 0.8			
Insulating material	PA			
Inflammability class according to UL 94	V0			

Ordering data						
Description	No. of pos.	Color	Type	I_{max}	Order No.	Pcs. / Pkt.
Fuse terminal block , for mounting on NS 35..., for cartridge fuse inserts 5 x 20 mm.		black	UT 4-PE/HESI (5X20)		3073995	50
With LED for 12-30 V AC/DC, 0.31-0.95 mA ²⁾		black	UT 4-PE/HESI LED 24 (5X20)		3070053	50
For 30-60 V AC/DC, 0.40-0.86 mA ²⁾		black	UT 4-PE/HESI LED 60 (5X20)		3070066	50
For 110-250 V AC/DC, 0.41-0.96 mA ²⁾		black	UT 4-PE/HESI LA 250 (5X20)		3070079	50
Disconnect terminal block , for mounting on NS 35...		black/orange				
Disconnect terminal block , for mounting on NS 35...		gray				
With test socket screws		gray				
Knife disconnect terminal block , for mounting on NS 35...		gray				
With test socket screws		gray				
Terminal block , with integrated diode, conducting from left to right		gray				
Terminal block , with integrated diode, conducting from right to left		gray				

Ordering data						
Description	No. of pos.	Color	Type	I_{max}	Order No.	Pcs. / Pkt.
Disconnect terminal block , for mounting on NS 35...		black/orange	UT 4-PE/HEDI		3074004	50

Accessories					
FBS 2-6	32 A	3030336	50		
FBS 20-6	32 A	3030365	10		
SF-SL 0,6X3,5-100 S-VDE		1212587	10		

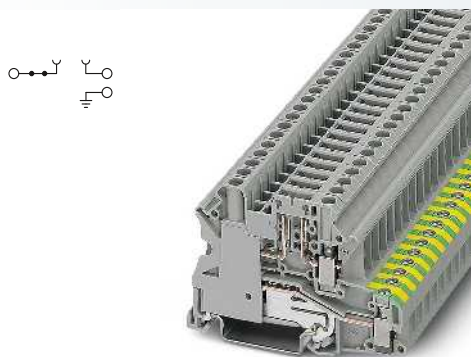
Accessories					
FBS 2-6	32 A	3030336	50		
FBS 20-6	32 A	3030365	10		
SF-SL 0,6X3,5-100 S-VDE		1212587	10		

Lever labeling	
Lateral groove labeling	

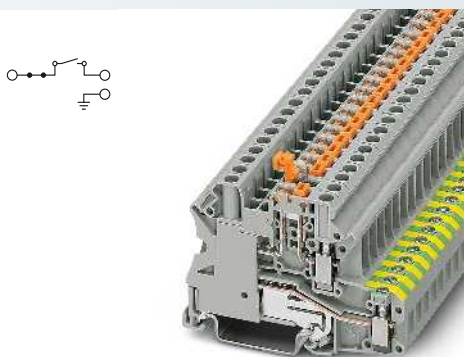
UC-TM 5, UCT-TM 5 or ZB 5 (see Catalog 5)
UC-TM 6, UCT-TM 6 or ZB 6 (see Catalog 5)

UC-TM 5, UCT-TM 5 or ZB 5 (see Catalog 5)
UC-TM 6, UCT-TM 6 or ZB 6 (see Catalog 5)

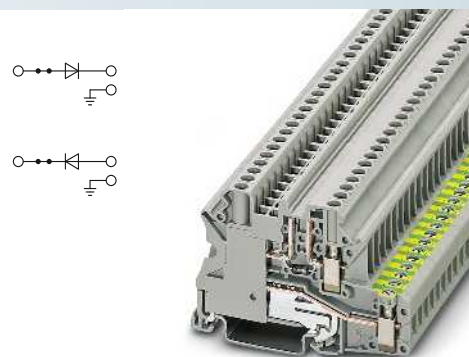
UT screw connection terminal blocks



4 (6) mm², 20 A, disconnect terminal block with PE foot



4 (6) mm², 20 A, knife disconnect terminal block with PE foot



4 (6) mm², diode terminal block, with PE foot, test socket screw

Technical data			
Width	Length	Height NS 35/7,5	
6.2	70.8	47.5	
I_{max} [A]	U_{max} [V]	max. Ø [mm ²]	AWG
20	500	0.14 - 6	26 - 10
IEC 60947-7-1 / IEC 60947-7-2			
IEC	UL/CUL	CSA	IEC/EN 60079-7
500	-	-	-
20 / 2.5	- / -	-	-
4	-	-	-
26 - 10	-	-	-
solid	stranded	Ferrule Without / with plastic sleeve	
0.14 - 6	0.14 - 6	0.14 - 4	0.14 - 4
0.14 - 1.5	0.14 - 1.5	0.14 - 1.5	-
			0.5 - 1.5
9			
M3			
0.6 - 0.8			
PA			
V0			

Technical data			
Width	Length	Height NS 35/7,5	
6.2	70.8	49.1	
I_{max} [A]	U_{max} [V]	max. Ø [mm ²]	AWG
20	500	0.14 - 6	26 - 10
IEC 60947-7-1 / IEC 60947-7-2			
IEC	UL/CUL	CSA	IEC/EN 60079-7
500	-	-	-
20 / 2.5	- / -	-	-
4	-	-	-
26 - 10	-	-	-
solid	stranded	Ferrule Without / with plastic sleeve	
0.14 - 6	0.14 - 6	0.14 - 4	0.14 - 4
0.14 - 1.5	0.14 - 1.5	0.25 - 1.5	-
			0.5 - 2.5
9			
M3			
0.6 - 0.8			
PA			
V0			



Technical data			
Width	Length	Height NS 35/7,5	
6.2	70.8	47.5	
I_{max} [A]	U_{max} [V]	max. Ø [mm ²]	AWG
20	500	0.14 - 6	26 - 10
IEC			
UL/CUL	CSA	IEC/EN 60079-7	
500	300	-	-
0.5 ¹⁾ / 1	0.5 / -	-	-
4	-	-	-
26 - 10	26-10	-	-
solid	stranded	Ferrule Without / with plastic sleeve	
0.14 - 6	0.14 - 6	0.14 - 4	0.14 - 4
0.14 - 1.5	0.14 - 1.5	0.14 - 1.5	-
			0.5 - 2.5
9			
M3			
0.6 - 0.8			
PA			
V0			

Ordering data			
Type	I_{max}	Order No.	Pcs. / Pkt.
UT 4-PE/TG		3070024	50
UT 4-PE/TG P/P		3070037	50

Ordering data			
Type	I_{max}	Order No.	Pcs. / Pkt.
UT 4-PE/MT		3070011	50
UT 4-PE/MT P/P		3046140	50

Ordering data			
Type	I_{max}	Order No.	Pcs. / Pkt.
UT 4-PE/L-DIO/L-R P/P		3046834	50
UT 4-PE/L-DIO/R-L P/P		3046235	50

Accessories			
Type	I_{max}	Order No.	Pcs. / Pkt.
FBS 2-6	32 A	3030336	50
FBS 20-6	32 A	3030365	10
MPS-MT		0201744	10
MPS-IH RD		0201676	10
P-DI		3036783	50
P-FIX		3038956	50
P-CO		3036796	10
P-FU 5X20		3036806	10
WS UT 4		3047332	10
SF-SL 0,6X3,5-100 S-VDE		1212587	10

Accessories			
Type	I_{max}	Order No.	Pcs. / Pkt.
FBS 2-6	32 A	3030336	50
FBS 20-6	32 A	3030365	10
MPS-MT		0201744	10
MPS-IH RD		0201676	10
WS UT 4		3047332	10
SF-SL 0,6X3,5-100 S-VDE		1212587	10

Accessories			
Type	I_{max}	Order No.	Pcs. / Pkt.
FBS 2-6	32 A	3030336	50
FBS 20-6	32 A	3030365	10
MPS-MT		0201744	10
MPS-IH RD		0201676	10
WS UT 4		3047332	10
SF-SL 0,6X3,5-100 S-VDE		1212587	10

UC-TM 6, UCT-TM 6 or ZB 6
(see Catalog 5)

UC-TM 6, UCT-TM 6 or ZB 6
(see Catalog 5)

UC-TM 6, UCT-TM 6 or ZB 6
(see Catalog 5)

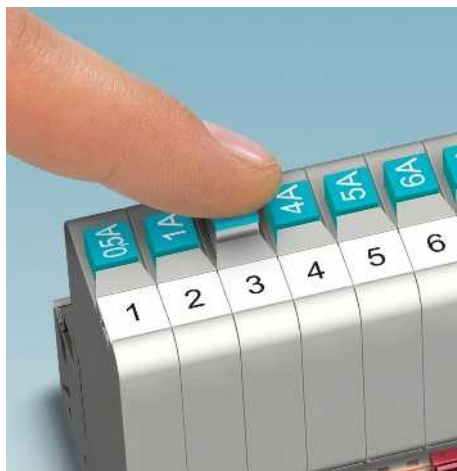
Modular terminal blocks - CLIPLINE complete

UT screw connection terminal blocks

UT 6-TMC ... thermomagnetic circuit breakers



– Thermomagnetic circuit breakers feature a compact design, large-surface labeling options, and a double plug-in bridge shaft



– High level of system availability thanks to their reclosure function and clear status display
 – Eleven nominal current levels can be selected from 0.5 A to 16 A
 – Clear assignment of the relevant circuit breaker thanks to the large center labeling area

Notes:

1) Depending on the selected item version.

2) Please note the influence of the ambient temperature. For example calculation, see data sheet.

Dimensions

[mm]

Max. electrical data

Rated data

Rated voltage [V]
 Nominal current / cross section [A] / [mm²]
 Rated cross section [mm²]
 Cross section range AWG

Connection capacity

1 conductor [mm²]
 Two conductors (of the same type) [mm²]
 Two stranded conductors with a TWIN ferrule [mm²]

Operating data

Nominal voltage
 Nominal voltage
 Nominal current
 Switch-off time

Switching capacity I_{EN}

UT 6-TMC ... 0.5 A - UT 6-TMC ... 16 A

Service life

Cycles with 1 x I_N

General data

Temperature range [°C]
 Insulating material
 Inflammability class according to UL 94

Description	Nominal current	Color
Thermomagnetic circuit breaker, for mounting on NS 35...	0.5 A ¹⁾	gray
	1 A	gray
	2 A	gray
	4 A	gray
	5 A	gray
	6 A	gray
	8 A	gray
	10 A	gray
	12 A	gray
	15 A	gray
	16 A	gray

Plug-in bridge

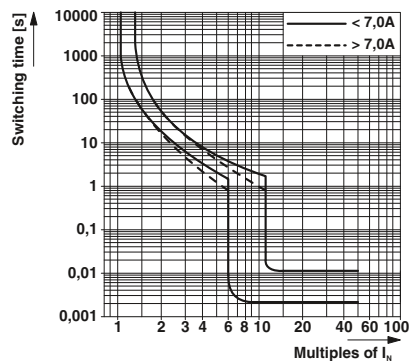
2 red
 3 red
 4 red
 5 red
 10 red
 20 red

Warning label, for UT series

yellow

Screwdriver

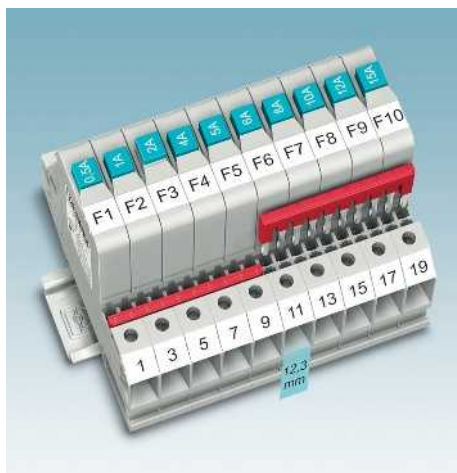
Lateral groove labeling



Trigger characteristic

– A complete data sheet is available to download for each product at www.phoenixcontact.net/products
 – Further circuit breakers can be found in Catalog 6 “Surge protection and power supplies”

– They can be integrated into the CLIPLINE complete system via the plug-in bridge shaft
 – 12.3 mm compact design




 6 (10) mm², thermomagnetic circuit breaker

Technical data

Width	Length	Height NS 35/7,5	
12.3			
	U _{max.} [V]	max. Ø [mm ²]	AWG
	240	0.2 - 10	24 - 8
IEC	UL/CUL	CSA	IEC/ EN 60079-7
240	-	-	-
0.5 ¹⁾ / 6	-	-	-
6	-	-	-
24 - 8	-	-	-
solid	stranded	Ferrule	
		Without / with plastic sleeve	
0.2 - 10	0.2 - 10	0.25 - 6	0.25 - 6
0.2 - 2.5	0.2 - 2.5	0.25 - 1.5	-
			0.5 - 4

240 V AC

28 V DC

Dependent on the article variant selected

See trigger characteristic; for correction factors, see data sheet

200 A / 400 A

6000

 -30 ... 60²⁾

PA66

V0

Ordering data

Type	I _{max}	Order No.	Pcs. / Pkt.
UT 6-TMC M 0,5A		0916603	6
UT 6-TMC M 1A		0916604	6
UT 6-TMC M 2A		0916605	6
UT 6-TMC M 4A		0916606	6
UT 6-TMC M 5A		0916607	6
UT 6-TMC M 6A		0916608	6
UT 6-TMC M 8A		0916609	6
UT 6-TMC M 10A		0916610	6
UT 6-TMC M 12A		0916611	6
UT 6-TMC M 15A		0916612	6
UT 6-TMC M 16A		0916613	6

Accessories

FBS 2-6	32 A	3030336	50
FBS 3-6	32 A	3030242	50
FBS 4-6	32 A	3030255	50
FBS 5-6	32 A	3030349	50
FBS 10-6	32 A	3030271	10
FBS 20-6	32 A	3030365	10
WS UT 6		3047345	10
SZS 1,0X4,0 VDE		1205066	10

 UC-TM 12, UCT-TM 12 or ZB 12
 (see Catalog 5)

UT screw connection terminal blocks

UT ...-TG disconnect terminal blocks for accommodating function plugs

– For corresponding function plugs, see page 480

Notes:
For more plug-in bridges, see page 472..
1) The total current of all connected conductors must not exceed the max. load current.
2) If the fuse is faulty, the downstream circuit is not off load.
3) Observe max. load current.
4) Observe max. load current, depending on the power dissipation of the components. Max. 0.5 W with single arrangement.
5) Current and voltage are determined by the plug used.
6) The reducing bridge table should be followed, see page 476.



2.5 (4) mm², 20 A, disconnect terminal block



4 (6) mm², 20 A, disconnect terminal block



Dimensions		[mm]
Max. electrical data		
Rated data		
Rated voltage	[V]	400 ⁵⁾
Nominal current / cross section	[A] / [mm ²]	20 ⁵⁾ / 2.5
Rated cross section	[mm ²]	2.5
Cross section range	AWG	26 - 12
Connection capacity		
1 conductor	[mm ²]	0.14 - 4
Two conductors (of the same type)	[mm ²]	0.14 - 1.5
Two stranded conductors with a TWIN ferrule	[mm ²]	0.14 - 1.5
General data		
Stripping length	[mm]	9
Screw thread		M3
Tightening torque	[Nm]	0.5 - 0.6
Insulating material		PA
Inflammability class according to UL 94		V0

Technical data			
Width	Length	Height NS 35/7,5	
5.2	57.8	47.5	
I _{max} [A]	U _{max} [V]	max. Ø [mm ²]	AWG
20 ⁵⁾	400 ⁵⁾	0.14 - 4	26 - 12
IEC 60947-7-1			
IEC	UL/CUL	CSA	IEC/EN 60079-7
Rated voltage	300	300	-
Nominal current / cross section	20 ⁵⁾ / 2.5	20 / -	16 / -
Rated cross section	2.5	-	-
Cross section range	26 - 12	26-12	26-12
Connection capacity			
	solid	stranded	Ferrule
			Without / with plastic sleeve
1 conductor	0.14 - 4	0.14 - 4	0.14 - 2.5 0.14 - 2.5
Two conductors (of the same type)	0.14 - 1.5	0.14 - 1.5	0.14 - 1.5 -
Two stranded conductors with a TWIN ferrule			0.5 - 1.5
General data			
Stripping length	[mm]	9	
Screw thread		M3	
Tightening torque	[Nm]	0.5 - 0.6	
Insulating material		PA	
Inflammability class according to UL 94		V0	

Technical data			
Width	Length	Height NS 35/7,5	
6.2	57.8	47.5	
I _{max} [A]	U _{max} [V]	max. Ø [mm ²]	AWG
20 ⁵⁾	500 ⁵⁾	0.14 - 6	26 - 10
IEC 60947-7-1			
IEC	UL/CUL	CSA	IEC/EN 60079-7
Rated voltage	600	600	-
Nominal current / cross section	20 ⁵⁾ / 2.5	16 / -	16 / -
Rated cross section	4	-	-
Cross section range	26 - 10	26-10	26-10
Connection capacity			
	solid	stranded	Ferrule
			Without / with plastic sleeve
1 conductor	0.14 - 6	0.14 - 6	0.14 - 4 0.14 - 4
Two conductors (of the same type)	0.14 - 1.5	0.14 - 1.5	0.14 - 1.5 -
Two stranded conductors with a TWIN ferrule			0.5 - 2.5
General data			
Stripping length	[mm]	9	
Screw thread		M3	
Tightening torque	[Nm]	0.6 - 0.8	
Insulating material		PA	
Inflammability class according to UL 94		V0	

Description	No. of pos.	Color
Disconnect terminal block , for mounting on NS 35...		gray
With test socket screws		blue gray blue

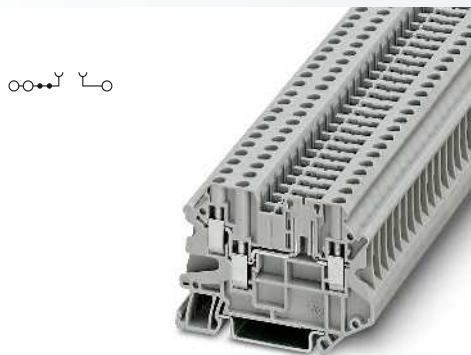
Ordering data			
Type	I _{max}	Order No.	Pcs. / Pkt.
UT 2,5-TG		3046388	50
UT 2,5-TG BU		3046579	50
UT 2,5-TG-P/P		3046391	50
UT 2,5-TG-P/P BU		3046582	50

Ordering data			
Type	I _{max}	Order No.	Pcs. / Pkt.
UT 4-TG		3046142	50
UT 4-TG BU		3073283	50
UT 4-TG-P/P		3046168	50
UT 4-TG-P/P BU		3073296	50

Accessories		
Cover , width 2.2 mm	gray	
End cover segment , for covering multi-conductor terminal blocks when two-conductor terminal blocks are aligned	gray	
Plug-in bridge		
	2	red
	3	red
	5	red
	10	red
	20	red
Reducing bridge ⁶⁾		
	2	red
Reducing bridge ⁶⁾		
	2	red
Partition plate , 2.2 mm wide	gray	
Test plug metal part , 2.3 mm Ø		
Insulating sleeve , for MPS metal part	red	
Isolating plug ³⁾	orange	
Feed-through connector ³⁾	gray	
Component plug , labeled with ZBF 5 or UC-TMF 5 ⁴⁾	gray	
Fuse plug , width 5.2 mm ²⁾		
Width 6.2 mm	black	
Width 8.2 mm	black	
Warning label , for UT series	yellow	
Screwdriver		
Lateral groove labeling		

Accessories			
D-UT 2,5/4-TWIN		3047141	50
DS-UT 2,5/4		3047109	50
FBS 2-5	20 A	3030161	50
FBS 3-5	20 A	3030174	50
FBS 5-5	20 A	3030190	50
FBS 10-5	20 A	3030213	10
FBS 20-5	20 A	3030226	10
ATP-UT-TWIN		3047183	50
MPS-MT		0201744	10
MPS-IH RD		0201676	10
P-DI		3036783	50
P-FIX		3038956	50
P-CO		3036796	10
P-FU 5X20-5		3209235	10
WS UT 2,5		3047923	10
SF-SL 0,6X3,5-100 S-VDE		1212587	10
UC-TM 5, UCT-TM 5 or ZB 5 (see Catalog 5)			

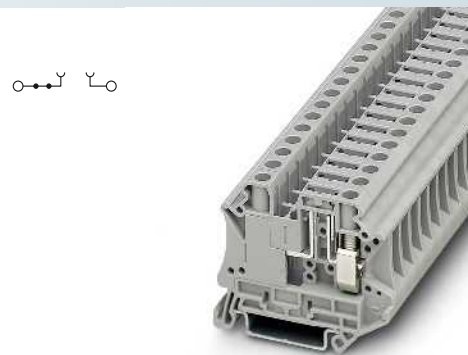
Accessories			
FBS 2-6	20 A	3030336	50
FBS 3-6	20 A	3030242	50
FBS 5-6	20 A	3030349	50
FBS 10-6	20 A	3030271	10
FBS 20-6	20 A	3030365	10
ATP-UT-TWIN		3047183	50
MPS-MT		0201744	10
MPS-IH RD		0201676	10
P-DI		3036783	50
P-FIX		3038956	50
P-CO		3036796	10
P-FU 5X20		3036806	10
WS UT 4		3047332	10
SF-SL 0,6X3,5-100 S-VDE		1212587	10
UC-TM 6, UCT-TM 6 or ZB 6 (see Catalog 5)			



4 (6) mm², 20 A, disconnect terminal block, 3 connections



4 (6) mm², 20 A, disconnect terminal block, 4 connections



6 (10) mm², 20 A, disconnect terminal block



Technical data			
Width	Length	Height NS 35/7,5	
6.2	65.4	47.5	
I_{max} [A]	U_{max} [V]	max. Ø [mm ²]	AWG
20 ¹⁾	500 ⁵⁾	0.14 - 6	26 - 10
IEC 60947-7-1			
IEC	UL/CUL	CSA	IEC/EN 60079-7
500 ⁵⁾	300	300	-
20 ⁵⁾ / 2.5	20 / -	16 / -	-
4	-	-	-
26 - 10	26-10	26-10	-
solid	stranded	Ferrule	
Without / with plastic sleeve			
0.14 - 6	0.14 - 6	0.14 - 4	0.14 - 4
0.14 - 1.5	0.14 - 1.5	0.14 - 1.5	-
			0.5 - 2.5
9			
M3			
0.6 - 0.8			
PA			
V0			

Technical data			
Width	Length	Height NS 35/7,5	
6.2	65.4	47.5	
I_{max} [A]	U_{max} [V]	max. Ø [mm ²]	AWG
20 ¹⁾	500 ⁵⁾	0.14 - 6	26 - 10
IEC 60947-7-1			
IEC	UL/CUL	CSA	IEC/EN 60079-7
500 ⁵⁾	300	300	-
20 ⁵⁾ / 2.5	20 / -	16 / -	-
4	-	-	-
26 - 10	26-10	26-10	-
solid	stranded	Ferrule	
Without / with plastic sleeve			
0.14 - 6	0.14 - 6	0.14 - 4	0.14 - 4
0.14 - 1.5	0.14 - 1.5	0.14 - 1.5	-
			0.5 - 2.5
9			
M3			
0.6 - 0.8			
PA			
V0			

Technical data			
Width	Length	Height NS 35/7,5	
8.2	57.8	47.5	
I_{max} [A]	U_{max} [V]	max. Ø [mm ²]	AWG
20 ¹⁾	500 ⁵⁾	0.2 - 10	24 - 8
IEC 60947-7-1			
IEC	UL/CUL	CSA	IEC/EN 60079-7
500 ⁵⁾	600	600	-
20 ⁵⁾ / 2.5	20 / -	16 / -	-
6	-	-	-
24 - 8	24-8	24-8	-
solid	stranded	Ferrule	
Without / with plastic sleeve			
0.2 - 10	0.2 - 10	0.25 - 6	0.25 - 6
0.2 - 2.5	0.2 - 2.5	0.25 - 1.5	-
			0.5 - 4
10			
M4			
1.5 - 1.8			
PA			
V0			

Ordering data			
Type	I_{max}	Order No.	Pcs. / Pkt.
UT 4-TWIN-TG		3046595	50
UT 4-TWIN-TG BU		3073034	50
UT 4-TWIN-TG P/P		3046605	50
UT 4-TWIN-TG P/P BU		3073047	50

Ordering data			
Type	I_{max}	Order No.	Pcs. / Pkt.
UT 4-QUATTRO-TG		3064027	50
UT 4-QUATTRO-TG BU		3073076	50
UT 4-QUATTRO-TG P/P		3064030	50
UT 4-QUATTRO-TG P/P BU		3073089	50

Ordering data			
Type	I_{max}	Order No.	Pcs. / Pkt.
UT 6-TG		3046485	50
UT 6-TG BU		3073856	50
UT 6-TG P/P		3073869	50
UT 6-TG P/P BU		3073872	50

Accessories			
D-UT 2,5/4-QUATTRO		3047170	50
DS-UT 2,5/4		3047109	50
FBS 2-6	20 A	3030336	50
FBS 3-6	20 A	3030242	50
FBS 5-6	20 A	3030349	50
FBS 10-6	20 A	3030271	10
FBS 20-6	20 A	3030365	10
ATP-UT-QUATTRO		3047196	50
MPS-MT		0201744	10
MPS-IH RD		0201676	10
P-DI		3036783	50
P-FIX		3038956	50
P-CO		3036796	10
P-FU 5X20		3036806	10
WS UT 4		3047332	10
SF-SL 0,6X3,5-100 S-VDE		1212587	10

Accessories			
D-UT 2,5/4-QUATTRO		3047170	50
DS-UT 2,5/4		3047109	50
FBS 2-6	20 A	3030336	50
FBS 3-6	20 A	3030242	50
FBS 5-6	20 A	3030349	50
FBS 10-6	20 A	3030271	10
FBS 20-6	20 A	3030365	10
ATP-UT-QUATTRO		3047196	50
MPS-MT		0201744	10
MPS-IH RD		0201676	10
P-DI		3036783	50
P-FIX		3038956	50
P-CO		3036796	10
P-FU 5X20		3036806	10
WS UT 4		3047332	10
SF-SL 0,6X3,5-100 S-VDE		1212587	10

Accessories			
FBS 2-8	20 A	3030284	10
FBS 3-8	20 A	3030297	10
FBS 5-8	20 A	3030310	10
FBS 10-8	20 A	3030323	10
RB UT 6-(2,5/4)		3047251	10
RB UT 6-ST(2,5/4)		3047264	10
ATP-UT-TWIN		3047183	50
P-DI		3036783	50
P-FIX		3038956	50
P-CO		3036796	10
P-FU 5X20		3036806	10
P-FU 6,3X32		3046498	10
WS UT 6		3047345	10
SZS 1,0X4,0 VDE		1205066	10

UC-TM 6, UCT-TM 6 or ZB 6 (see Catalog 5)

UC-TM 6, UCT-TM 6 or ZB 6 (see Catalog 5)

UC-TM 8, UCT-TM 8 or ZB 8 (see Catalog 5)

Modular terminal blocks - CLIPLINE complete

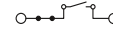
UT screw connection terminal blocks

UT ...-MT knife disconnect terminal blocks

- Compact design and high current-carrying capacity of 20 A
- Double bridge shaft enables individual potential distribution and supply
- For UT ...-MTD feed-through terminal blocks of the same shape, see page 62



2.5 (4) mm², 20 A, knife disconnect terminal block



4 (6) mm², 20 A, knife disconnect terminal block

Notes:
1) The total current of all connected conductors must not exceed the max. load current.
2) The reducing bridge table should be followed, see page 476.
3) Also see page 480.



Dimensions		[mm]
Max. electrical data		
Rated data		
Rated voltage	[V]	400
Nominal current / cross section	[A] / [mm ²]	20 / 2.5
Rated cross section	[mm ²]	2.5
Cross section range	AWG	26 - 12
Connection capacity		
1 conductor	[mm ²]	0.14 - 4
Two conductors (of the same type)	[mm ²]	0.14 - 1.5
Two stranded conductors with a TWIN ferrule	[mm ²]	0.14 - 1.5
General data		
Stripping length	[mm]	9
Screw thread		M3
Tightening torque	[Nm]	0.5 - 0.6
Insulating material		PA
Inflammability class according to UL 94		V0

Technical data				
Width	Length	Height NS 35/7,5		
5.2	57.8	49.1		
I _{max} [A]	U _{max} [V]	max. Ø [mm ²]	AWG	
20	400	0.14 - 4	26 - 12	
IEC 60947-7-1				
IEC	UL/CUL	CSA	IEC/EN 60079-7	
400	300	300	-	
20 / 2.5	20 / -	16 / -	-	
2.5	-	-	-	
26 - 12	26-12	26-12	-	
solid		stranded		Ferrule
				Without / with plastic sleeve
0.14 - 4	0.14 - 4	0.14 - 2.5	0.14 - 2.5	
0.14 - 1.5	0.14 - 1.5	0.14 - 1.5	-	
				0.5 - 1.5

Technical data				
Width	Length	Height NS 35/7,5		
6.2	57.8	49.1		
I _{max} [A]	U _{max} [V]	max. Ø [mm ²]	AWG	
20	500	0.14 - 6	26 - 10	
IEC 60947-7-1				
IEC	UL/CUL	CSA	IEC/EN 60079-7	
500	600	600	-	
20 / 2.5	16 / -	16 / -	-	
4	-	-	-	
26 - 10	26-10	26-10	-	
solid		stranded		Ferrule
				Without / with plastic sleeve
0.14 - 6	0.14 - 6	0.14 - 4	0.14 - 4	
0.14 - 1.5	0.14 - 1.5	0.14 - 1.5	-	
				0.5 - 2.5

Description	No. of pos.	Color
Knife disconnect terminal block, for mounting on NS 35...		gray
With test socket screws		blue gray blue

Ordering data			
Type	I _{max}	Order No.	Pcs. / Pkt.
UT 2,5-MT		3046362	50
UT 2,5-MT BU		3046553	50
UT 2,5-MT-P/P		3046375	50
UT 2,5-MT P/P BU		3046566	50

Ordering data			
Type	I _{max}	Order No.	Pcs. / Pkt.
UT 4-MT		3046139	50
UT 4-MT BU		3046278	50
UT 4-MT-P/P		3046171	50
UT 4-MT-P/P BU		3046265	50

Accessories		
Cover, width 2.2 mm	gray	
End cover segment, for covering multi-conductor terminal blocks when two-conductor terminal blocks are aligned	gray	
Plug-in bridge		
	2	red
	3	red
	4	red
	5	red
	10	red
	20	red
Reducing bridge²⁾		
	2	red
Reducing bridge²⁾		
	2	red
Switching lock, plug-in ³⁾	white	
Partition plate, 2.2 mm wide	gray	
Test adapter, 4-mm test socket hole	gray	
Test plug metal part, 2.3 mm Ø		
Insulating sleeve, for MPS metal part	red	
Modular test plug, for the individual assembly of test plug strips	red	
Warning label, for UT series	yellow	
Screwdriver		

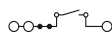
Accessories			
Type	I _{max}	Order No.	Pcs. / Pkt.
D-UT 2,5/4-TWIN		3047141	50
DS-UT 2,5/4		3047109	50
FBS			
FBS 2-5	20 A	3030161	50
FBS 3-5	20 A	3030174	50
FBS 4-5	20 A	3030187	50
FBS 5-5	20 A	3030190	50
FBS 10-5	20 A	3030213	10
FBS 20-5	20 A	3030226	10
S-MT			
S-MT		3247954	50
ATP-UT-TWIN		3047183	50
PAI-4-N GY		3032871	10
MPS-MT		0201744	10
MPS-IH RD		0201676	10
PS-5		3030983	10
WS UT			
WS UT 2,5		3047923	10
SF-SL 0,6X3,5-100 S-VDE		1212587	10

Accessories			
Type	I _{max}	Order No.	Pcs. / Pkt.
FBS 2-6	20 A	3030336	50
FBS 3-6	20 A	3030242	50
FBS 4-6	20 A	3030255	50
FBS 5-6	20 A	3030349	50
FBS 10-6	20 A	3030271	10
FBS 20-6	20 A	3030365	10
S-MT			
S-MT		3247954	50
ATP-UT-TWIN		3047183	50
PAI-4-N GY		3032871	10
MPS-MT		0201744	10
MPS-IH RD		0201676	10
PS-6		3030996	10
WS UT			
WS UT 4		3047332	10
SF-SL 0,6X3,5-100 S-VDE		1212587	10

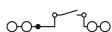
Lateral groove labeling

UC-TM 5, UCT-TM 5 or ZB 5 (see Catalog 5)

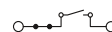
UC-TM 6, UCT-TM 6 or ZB 6 (see Catalog 5)



4 (6) mm², 20 A, knife disconnect terminal block, 3 connections



4 (6) mm², 20 A, knife disconnect terminal block, 4 connections



6 (10) mm², 20 A, knife disconnect terminal block



Technical data			
Width	Length	Height NS 35/7,5	
6.2	65.4	49.1	
I _{max} [A]	U _{max} [V]	max. Ø [mm ²]	AWG
20 ¹⁾	500	0.14 - 6	26 - 10
IEC 60947-7-1			
IEC	UL/CUL	CSA	IEC/EN 60079-7
500	300	300	-
20 ¹⁾ / 2.5	20 / -	16 / -	-
4	-	-	-
26 - 10	26-10	26-10	-
solid	stranded	Ferrule	
Without / with plastic sleeve			
0.14 - 6	0.14 - 6	0.14 - 4	0.14 - 4
0.14 - 1.5	0.14 - 1.5	0.14 - 1.5	-
			0.5 - 2.5

Technical data			
Width	Length	Height NS 35/7,5	
6.2	65.4	49.1	
I _{max} [A]	U _{max} [V]	max. Ø [mm ²]	AWG
20 ¹⁾	500	0.14 - 6	26 - 10
IEC 60947-7-1			
IEC	UL/CUL	CSA	IEC/EN 60079-7
500	300	300	-
20 ¹⁾ / 2.5	20 / -	16 / -	-
4	-	-	-
26 - 10	26-10	26-10	-
solid	stranded	Ferrule	
Without / with plastic sleeve			
0.14 - 6	0.14 - 6	0.14 - 4	0.14 - 4
0.14 - 1.5	0.14 - 1.5	0.14 - 1.5	-
			0.5 - 2.5

Technical data			
Width	Length	Height NS 35/7,5	
8.2	57.8	49.1	
I _{max} [A]	U _{max} [V]	max. Ø [mm ²]	AWG
20	500	0.2 - 10	24 - 8
IEC 60947-7-1			
IEC	UL/CUL	CSA	IEC/EN 60079-7
500	600	600	-
20 / 2.5	20 / -	16 / -	-
6	-	-	-
24 - 8	24-8	24-8	-
solid	stranded	Ferrule	
Without / with plastic sleeve			
0.2 - 10	0.2 - 10	0.25 - 6	0.25 - 6
0.2 - 2.5	0.2 - 2.5	0.25 - 1.5	-
			0.5 - 4

9
M3
0.6 - 0.8
PA
V0

9
M3
0.6 - 0.8
PA
V0

10
M4
1.5 - 1.8
PA
V0

Ordering data			
Type	I _{max}	Order No.	Pcs. / Pkt.
UT 4-TWIN-MT		3046003	50
UT 4-TWIN-MT BU		3073018	50
UT 4-TWIN-MT P/P		3064014	50
UT 4-TWIN-MT P/P BU		3073021	50

Ordering data			
Type	I _{max}	Order No.	Pcs. / Pkt.
UT 4-QUATTRO-MT		3064043	50
UT 4-QUATTRO-MT BU		3073050	50
UT 4-QUATTRO-MT P/P		3064056	50
UT 4-QUATTRO-MT P/P BU		3073063	50

Ordering data			
Type	I _{max}	Order No.	Pcs. / Pkt.
UT 6-MT		3064069	50
UT 6-MT BU		3073267	50
UT 6-MT P/P		3064072	50
UT 6-MT P/P BU		3073270	50

Accessories			
D-UT 2,5/4-QUATTRO		3047170	50
DS-UT 2,5/4		3047109	50
FBS 2-6	20 A	3030336	50
FBS 3-6	20 A	3030242	50
FBS 4-6	20 A	3030255	50
FBS 5-6	20 A	3030349	50
FBS 10-6	20 A	3030271	10
FBS 20-6	20 A	3030365	10
S-MT		3247954	50
ATP-UT-QUATTRO		3047196	50
PAI-4-N GY		3032871	10
MPS-MT		0201744	10
MPS-IH RD		0201676	10
PS-6		3030996	10
WS UT 4		3047332	10
SF-SL 0,6X3,5-100 S-VDE		1212587	10

Accessories			
D-UT 2,5/4-QUATTRO		3047170	50
DS-UT 2,5/4		3047109	50
FBS 2-6	20 A	3030336	50
FBS 3-6	20 A	3030242	50
FBS 4-6	20 A	3030255	50
FBS 5-6	20 A	3030349	50
FBS 10-6	20 A	3030271	10
FBS 20-6	20 A	3030365	10
S-MT		3247954	50
ATP-UT-QUATTRO		3047196	50
PAI-4-N GY		3032871	10
MPS-MT		0201744	10
MPS-IH RD		0201676	10
PS-6		3030996	10
WS UT 4		3047332	10
SF-SL 0,6X3,5-100 S-VDE		1212587	10

Accessories			
FBS 2-8	20 A	3030284	10
FBS 3-8	20 A	3030297	10
FBS 4-8	20 A	3030307	10
FBS 5-8	20 A	3030310	10
FBS 10-8	20 A	3030323	10
RB UT 6-(2,5/4)		3047251	10
RB UT 6-ST(2,5/4)		3047264	10
S-MT		3247954	50
ATP-UT-TWIN		3047183	50
PAI-4-N GY		3032871	10
MPS-MT		0201744	10
MPS-IH RD		0201676	10
PS-8		3031005	10
WS UT 6		3047345	10
SZS 1,0X4,0 VDE		1205066	10

UC-TM 6, UCT-TM 6 or ZB 6 (see Catalog 5)

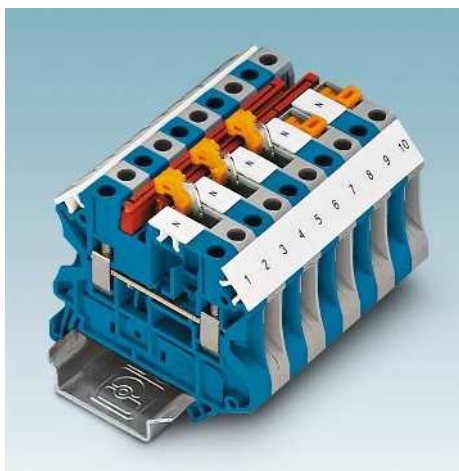
UC-TM 6, UCT-TM 6 or ZB 6 (see Catalog 5)

UC-TM 8, UCT-TM 8 or ZB 8 (see Catalog 5)

Modular terminal blocks - CLIPLINE complete

UT screw connection terminal blocks

UT 2,5-MTD-... feed-through and diode terminal blocks of the same shape



UT 2,5-MTD and UT 2,5-MTD-PE

- Feed-through and PE terminal blocks enable terminal strips of the same shape to be set up with disconnect and knife disconnect terminal blocks
- The continuous labeling and bridging of terminal blocks is beneficial

UT 2,5-MTD-DIO...

- The component terminal blocks can be used for a multitude of switching tasks
- Versions with 1N 4007 diodes are available, conducting from left to right or from right to left

End cover segments

- If two-conductor terminal blocks are aligned on three or four-conductor terminal blocks, cover segments cover protruding parts
- Fingers are protected from contact



Notes:
For current carrying capacity of DIN rails, see page 716.
1) The max. current is determined by the diode. Integrated: diode 1N 4007, reverse voltage: 1300 V, maximum continuous current: 0.5 A



2.5 (4) mm², 32 A, feed-through terminal block



Dimensions	
	[mm]
Max. electrical data	
Rated voltage	[V]
Nominal current / cross section	[A] / [mm ²]
Rated cross section	[mm ²]
Cross section range	AWG
Connection capacity	
1 conductor	[mm ²]
Two conductors (of the same type)	[mm ²]
Two stranded conductors with a TWIN ferrule	[mm ²]
General data	
Stripping length	[mm]
Screw thread	
Tightening torque	[Nm]
Insulating material	
Inflammability class according to UL 94	

Technical data			
Width	Length	Height NS 35/7,5	
5.2	57.8	47.5	
I _{max} [A]	U _{max} [V]	max. Ø [mm ²]	AWG
32	800	0.14 - 4	26 - 12
IEC 60947-7-1			
IEC	UL/CUL	CSA	IEC/EN 60079-7
800	600	600	-
24 / 2.5	20 / -	20 / -	-
2.5	-	-	-
26 - 12	26-12	26-12	-
solid	stranded	Ferrule	
		Without / with plastic sleeve	
0.14 - 4	0.14 - 4	0.14 - 2.5	0.14 - 2.5
0.14 - 1.5	0.14 - 1.5	0.14 - 1.5	-
			0.5 - 1.5
9			
M3			
0.5 - 0.6			
PA			
V0			

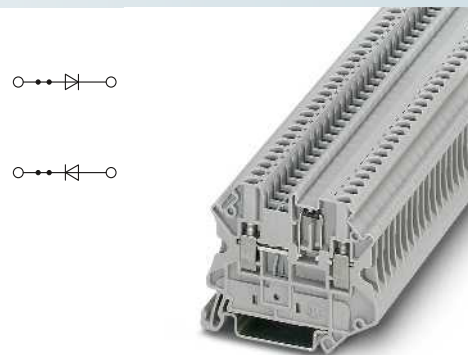
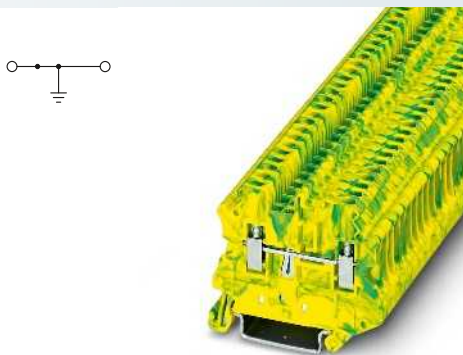
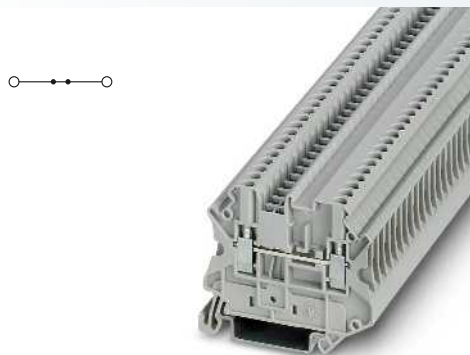
Description	No. of pos.	Color
Feed-through terminal block, for mounting on NS 35...		gray
Feed-through terminal block, with test socket screws, for mounting on NS 35...		blue
		gray
Ground terminal block, for mounting on NS 35...		blue
		green-yellow
Terminal block, with integrated diode, conducting from left to right		gray
Conducting from right to left		gray

Ordering data			
Type	I _{max}	Order No.	Pcs. / Pkt.
UT 2,5-MTD		3064085	50
UT 2,5-MTD BU		3064108	50

Cover, width 2.2 mm		gray
End cover segment, for covering multi-conductor terminal blocks when two-conductor terminal blocks are aligned		gray
Plug-in bridge		
	2	red
	3	red
	4	red
	5	red
	10	red
	20	red
Partition plate, 2.2 mm wide		gray
Test plug metal part, 2.3 mm Ø		
Insulating sleeve, for MPS metal part		red
Modular test plug, for the individual assembly of test plug strips		red
Warning label, for UT series		yellow
Screwdriver		

Accessories			
Type	I _{max}	Order No.	Pcs. / Pkt.
D-UT 2,5/4-TWIN		3047141	50
DS-UT 2,5/4		3047109	50
FBS 2-5	24 A	3030161	50
FBS 3-5	24 A	3030174	50
FBS 4-5	24 A	3030187	50
FBS 5-5	24 A	3030190	50
FBS 10-5	24 A	3030213	10
FBS 20-5	24 A	3030226	10
ATP-UT-TWIN		3047183	50
MPS-MT		0201744	10
MPS-IH RD		0201676	10
PS-5		3030983	10
WS UT 2,5		3047923	10
SF-SL 0,6X3,5-100 S-VDE		1212587	10

Center and lateral groove labeling
UC-TM 5, UCT-TM 5 or ZB 5 (see Catalog 5)



2.5 (4) mm², 32 A, feed-through terminal block, with test socket screw

2.5 (4) mm², ground terminal block

2.5 (4) mm², 0.5 A, diode terminal block



Technical data				
Width	Length	Height NS 35/7,5		
5.2	57.8	47.5		
I_{max} [A]	U_{max} [V]	max. Ø [mm ²]	AWG	
32	630	0.14 - 4	26 - 12	
IEC 60947-7-1				
IEC	UL/CUL	CSA	IEC/EN 60079-7	
630	600	600	-	
24 / 2.5	20 / -	20 / -	-	
2.5	-	-	-	
26 - 12	26-12	26-12	-	
solid	stranded	Ferrule		
Without / with plastic sleeve				
0.14 - 4	0.14 - 4	0.14 - 2.5	0.14 - 2.5	
0.14 - 1.5	0.14 - 1.5	0.14 - 1.5	-	
0.5 - 1.5				
9				
M3				
0.5 - 0.6				
PA				
V0				

Technical data				
Width	Length	Height NS 35/7,5		
5.2	57.8	47.5		
I_{max} [A]	U_{max} [V]	max. Ø [mm ²]	AWG	
32	630	0.14 - 4	26 - 12	
IEC 60947-7-2				
IEC	UL/CUL	CSA	IEC/EN 60079-7	
-	-	-	-	
-	- / -	-	-	
2.5	-	-	-	
26 - 12	26-12	26-12	-	
solid	stranded	Ferrule		
Without / with plastic sleeve				
0.14 - 4	0.14 - 4	0.14 - 2.5	0.14 - 2.5	
0.14 - 1.5	0.14 - 1.5	0.14 - 1.5	-	
0.5 - 1.5				
9				
M3				
0.5 - 0.6				
PA				
V0				

Technical data				
Width	Length	Height NS 35/7,5		
5.2	57.8	47.5		
I_{max} [A]	U_{max} [V]	max. Ø [mm ²]	AWG	
0.5 ¹⁾	800	0.14 - 4	26 - 12	
IEC				
IEC	UL/CUL	CSA	IEC/EN 60079-7	
800	600	600	-	
0.5 ¹⁾ / 1	0.5 / -	0.5 / -	-	
2.5	-	-	-	
26 - 12	26-12	26-12	-	
solid	stranded	Ferrule		
Without / with plastic sleeve				
0.14 - 4	0.14 - 4	0.14 - 2.5	0.14 - 2.5	
0.14 - 1.5	0.14 - 1.5	0.14 - 1.5	-	
0.5 - 1.5				
9				
M3				
0.5 - 0.6				
PA				
V0				

Ordering data			
Type	I_{max}	Order No.	Pcs. / Pkt.
UT 2,5-MTD P/P		3064098	50
UT 2,5-MTD P/P BU		3064111	50

Ordering data			
Type	I_{max}	Order No.	Pcs. / Pkt.
UT 2,5-MTD-PE		3064124	50

Ordering data			
Type	I_{max}	Order No.	Pcs. / Pkt.
UT 2,5-MTD-DIO/L-R		3064137	50
UT 2,5-MTD-DIO/R-L		3064140	50

Accessories			
Type	I_{max}	Order No.	Pcs. / Pkt.
D-UT 2,5/4-TWIN		3047141	50
DS-UT 2,5/4		3047109	50
FBS 2-5	24 A	3030161	50
FBS 3-5	24 A	3030174	50
FBS 4-5	24 A	3030187	50
FBS 5-5	24 A	3030190	50
FBS 10-5	24 A	3030213	10
FBS 20-5	24 A	3030226	10
ATP-UT-TWIN		3047183	50
MPS-MT		0201744	10
MPS-IH RD		0201676	10
PS-5		3030983	10
WS UT 2,5		3047923	10
SZG 0,6X3,5 VDE		1205121	10

Accessories			
Type	I_{max}	Order No.	Pcs. / Pkt.
D-UT 2,5/4-TWIN		3047141	50
DS-UT 2,5/4		3047109	50
FBS 2-5		3030161	50
FBS 3-5		3030174	50
FBS 4-5		3030187	50
FBS 5-5		3030190	50
FBS 10-5		3030213	10
FBS 20-5		3030226	10
ATP-UT-TWIN		3047183	50
MPS-MT		0201744	10
MPS-IH RD		0201676	10
PS-5		3030983	10
WS UT 2,5		3047923	10
SF-SL 0,6X3,5-100 S-VDE		1212587	10

Accessories			
Type	I_{max}	Order No.	Pcs. / Pkt.
D-UT 2,5/4-TWIN		3047141	50
DS-UT 2,5/4		3047109	50
FBS 2-5	24 A	3030161	50
FBS 3-5	24 A	3030174	50
FBS 4-5	24 A	3030187	50
FBS 5-5	24 A	3030190	50
FBS 10-5	24 A	3030213	10
FBS 20-5	24 A	3030226	10
ATP-UT-TWIN		3047183	50
MPS-MT		0201744	10
MPS-IH RD		0201676	10
PS-5		3030983	10
WS UT 2,5		3047923	10
SF-SL 0,6X3,5-100 S-VDE		1212587	10

UC-TM 5, UCT-TM 5 or ZB 5 (see Catalog 5)

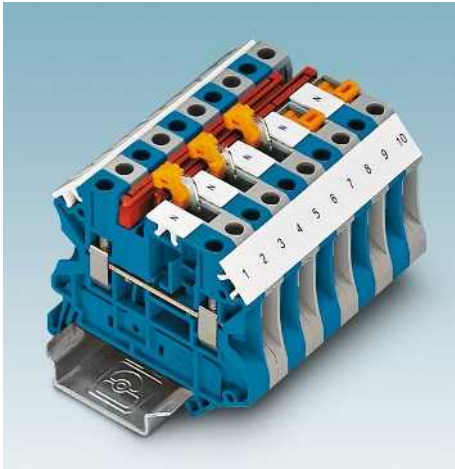
UC-TM 5, UCT-TM 5 or ZB 5 (see Catalog 5)

UC-TM 5, UCT-TM 5 or ZB 5 (see Catalog 5)

Modular terminal blocks - CLIPLINE complete

UT screw connection terminal blocks

UT 4-MTD-... feed-through and diode terminal blocks of the same shape



UT 4-MTD and UT 4-MTD-PE

- Feed-through and PE terminal blocks enable terminal strips of the same shape to be set up with disconnect and knife disconnect terminal blocks
- The continuous labeling and bridging of terminal blocks is beneficial

UT 4-MTD-DIO...

- The component terminal blocks can be used for a multitude of switching tasks
- Versions with 1N 4007 diodes are available, conducting from left to right or from right to left

End cover segments

- If two-conductor terminal blocks are aligned on three or four-conductor terminal blocks, cover segments cover protruding parts
- Fingers are protected from contact



Notes:
For current carrying capacity of DIN rails, see page 716.
1) The max. current is determined by the diode Integrated: diode 1N 4007, reverse voltage: 1300 V, maximum continuous current: 0.5 A
2) For installation notes on the use of accessories for Ex e applications, see page 710.



4 (6) mm², 41 A, feed-through terminal block



Ex: Ex
KEMA 04ATEX2048 U / IECEx KEM 06.0027U

Dimensions		[mm]	
Max. electrical data			
I_{max} [A]	U_{max} [V]	max. Ø [mm ²]	AWG
41	800	0.14 - 6	26 - 10
IEC 60947-7-1			
Rated data			
Rated voltage	[V]	800	600
Nominal current / cross section	[A] / [mm ²]	32 / 4	30 / -
Rated cross section	[mm ²]	4	-
Cross section range	AWG	26 - 10	26-10
Connection capacity			
1 conductor	[mm ²]	0.14 - 6	0.14 - 6
Two conductors (of the same type)	[mm ²]	0.14 - 1.5	0.14 - 1.5
Two stranded conductors with a TWIN ferrule	[mm ²]		
General data			
Stripping length	[mm]	9	
Screw thread		M3	
Tightening torque	[Nm]	0.6 - 0.8	
Insulating material		PA	
Inflammability class according to UL 94		V0	

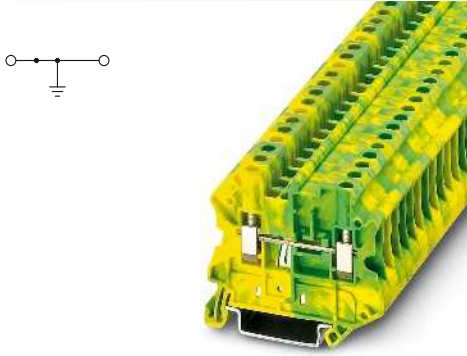
Technical data			
Width	Length	Height NS 35/7,5	
6.2	57.8	47.5	
I_{max} [A]	U_{max} [V]	max. Ø [mm ²]	AWG
41	800	0.14 - 6	26 - 10
IEC 60947-7-1			
IEC	UL/CUL	CSA	IEC/EN 60079-7
800	600	600	690
32 / 4	30 / -	30 / -	29 / 4 // 36 / 6
4	-	-	4
26 - 10	26-10	26-10	26 - 10
Connection capacity			
solid	stranded	Ferrule	
		Without / with plastic sleeve	
0.14 - 6	0.14 - 6	0.14 - 4	0.14 - 4
0.14 - 1.5	0.14 - 1.5	0.14 - 1.5	-
			0.5 - 2.5

Description	No. of pos.	Color
Feed-through terminal block , for mounting on NS 35...		gray
		blue
Ground terminal block , for mounting on NS 35..., with snap-on foot		green-yellow
With screw foot		green-yellow
Terminal block , with integrated diode, conducting from left to right		gray
Conducting from right to left		gray

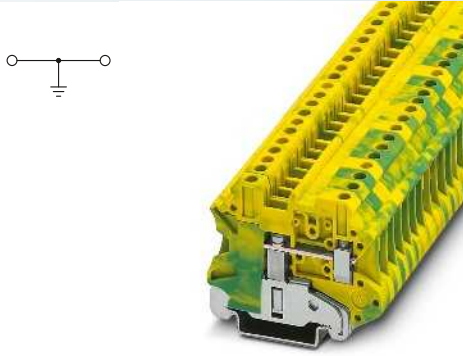
Ordering data			
Type	I_{max}	Order No.	Pcs. / Pkt.
UT 4-MTD		3046184	50
UT 4-MTD BU		3046197	50

Cover , width 2.2 mm	gray
End cover segment , for covering multi-conductor terminal blocks when two-conductor terminal blocks are aligned	gray
Plug-in bridge	
	2 red
	3 red
	4 red
	5 red
	10 red
	20 red
Partition plate , 2.2 mm wide	gray
Test adapter , 4-mm test socket hole	gray
Test plug metal part , 2.3 mm Ø	
Insulating sleeve , for MPS metal part	red
Modular test plug , for the individual assembly of test plug strips	red
Warning label , for UT series	yellow
Screwdriver	
Center and lateral groove labeling	

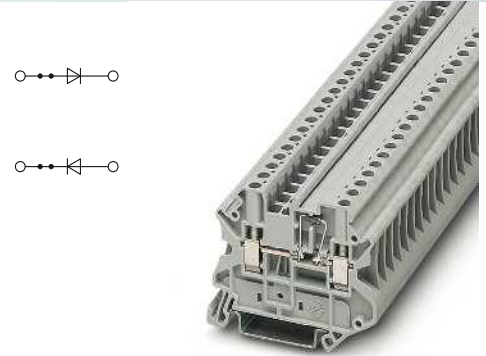
Accessories ²⁾			
D-UT 2,5/4-TWIN		3047141	50
DS-UT 2,5/4		3047109	50
FBS 2-6	32 A	3030336	50
FBS 3-6	32 A	3030242	50
FBS 4-6	32 A	3030255	50
FBS 5-6	32 A	3030349	50
FBS 10-6	32 A	3030271	10
FBS 20-6	32 A	3030365	10
ATP-UT-TWIN		3047183	50
PAI-4-N GY		3032871	10
MPS-MT		0201744	10
MPS-IH RD		0201676	10
PS-6		3030996	10
WS UT 4		3047332	10
SF-SL 0,6x3,5-100 S-VDE		1212587	10
UC-TM 6, UCT-TM 6 or ZB 6 (see Catalog 5)			



4 (6) mm², ground terminal block



4 (6) mm², feed-through terminal block, with screw PE foot



4 (6) mm², 0.5 A, diode terminal block



Ex:
KEMA 04ATEX2048 U / IECEx KEM 06.0027U



Ex:
KEMA 04ATEX2048 U / IECEx KEM 06.0027U



Technical data			
Width	Length	Height NS 35/7,5	
6.2	57.8	47.5	
		max. Ø [mm ²]	AWG
		0.14 - 6	26 - 10
IEC 60947-7-2			
IEC	UL/CUL	CSA	IEC/EN 60079-7
-	-	-	-
4	- / -	-	4
26 - 10	26-10	26-10	26 - 10
solid	stranded	Ferrule	
		Without / with plastic sleeve	
0.14 - 6	0.14 - 6	0.14 - 4	0.14 - 4
0.14 - 1.5	0.14 - 1.5	0.14 - 1.5	-
			0.5 - 2.5
9	M3	0.6 - 0.8	
PA			
V0			

Technical data			
Width	Length	Height NS 35/7,5	
6.2	57.8	47.5	
		max. Ø [mm ²]	AWG
		0.14 - 6	26 - 10
IEC 60947-7-2			
IEC	UL/CUL	CSA	IEC/EN 60079-7
-	-	-	-
4	- / -	-	4
26 - 10	26-10	26-10	26 - 10
solid	stranded	Ferrule	
		Without / with plastic sleeve	
0.14 - 6	0.14 - 6	0.14 - 4	0.14 - 4
0.14 - 1.5	0.14 - 1.5	0.14 - 1.5	-
			0.5 - 2.5
9	M3	0.6 - 0.8	
PA			
V0			

Technical data			
Width	Length	Height NS 35/7,5	
6.2	57.8	47.5	
I _{max} [A]	U _{max} [V]	max. Ø [mm ²]	AWG
0.5 ¹⁾	800	0.14 - 6	26 - 10
IEC 60947-7-2			
IEC	UL/CUL	CSA	IEC/EN 60079-7
800	600	600	-
0.5 ¹⁾ / 1	0.5 / -	1 / -	-
4	-	-	-
26 - 10	26-10	26-10	-
solid	stranded	Ferrule	
		Without / with plastic sleeve	
0.14 - 6	0.14 - 6	0.14 - 4	0.14 - 4
0.14 - 1.5	0.14 - 1.5	0.14 - 1.5	-
			0.5 - 2.5
9	M3	0.6 - 0.8	
PA			
V0			

Ordering data		
Type	Order No.	Pcs. / Pkt.
UT 4-MTD-PE	3046223	50

Ordering data		
Type	Order No.	Pcs. / Pkt.
UT 4-MTD-PE/S	3046207	50

Ordering data			
Type	I _{max}	Order No.	Pcs. / Pkt.
UT 4-MTD-DIO/L-R		3046210	50
UT 4-MTD-DIO/R-L		3046236	50

Accessories ²⁾		
D-UT 2,5/4-TWIN	3047141	50
DS-UT 2,5/4	3047109	50
FBS 2-6	3030336	50
FBS 3-6	3030242	50
FBS 4-6	3030255	50
FBS 5-6	3030349	50
FBS 10-6	3030271	10
FBS 20-6	3030365	10
ATP-UT-TWIN	3047183	50
PAI-4-N GY	3032871	10
MPS-MT	0201744	10
MPS-IH RD	0201676	10
PS-6	3030996	10
WS UT 4	3047332	10
SF-SL 0,6X3,5-100 S-VDE	1212587	10

Accessories ²⁾		
ATP-UT-TWIN	3047183	50
WS UT 4	3047332	10
SF-SL 0,6X3,5-100 S-VDE	1212587	10

Accessories ²⁾			
D-UT 2,5/4-TWIN		3047141	50
DS-UT 2,5/4		3047109	50
FBS 2-6	32 A	3030336	50
FBS 3-6	32 A	3030242	50
FBS 4-6	32 A	3030255	50
FBS 5-6	32 A	3030349	50
FBS 10-6	32 A	3030271	10
FBS 20-6	32 A	3030365	10
ATP-UT-TWIN		3047183	50
PAI-4-N GY		3032871	10
MPS-MT		0201744	10
MPS-IH RD		0201676	10
PS-6		3030996	10
WS UT 4		3047332	10
SF-SL 0,6X3,5-100 S-VDE		1212587	10

UC-TM 6, UCT-TM 6 or ZB 6
(see Catalog 5)

UC-TM 6, UCT-TM 6 or ZB 6
(see Catalog 5)

UC-TM 6, UCT-TM 6 or ZB 6
(see Catalog 5)

UT screw connection terminal blocks

UTTB 4...-TG/-MT double-level knife disconnect terminal blocks



- Same shape as UTTB ... double-level feed-through terminal blocks
- In the standardized disconnect zone in the upper level, an isolating plug, component plug or fuse plug for 5 x 20 mm glass tube fuses can be used as an alternative
- Double function shaft in lower level
- Loop in measurement equipment via connection screws with integrated test socket
- Interrupt-free voltage and current measurement on both levels

UTTB 4-MT...LA...

- LED version for signaling the switching states

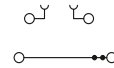
Offset levels

Offset levels provide:

- Unobstructed access to the lower connection level if fully wired
- Better view of the lower labeling signs and conductor entry funnel



Notes:
1) Observe max. load current.
2) Observe max. load current, depending on the power dissipation of the components. Max. 0.5 W with single arrangement.
3) For max. power dissipation, see page 724.
4) Current and voltage are determined by the plug used.
5) Lower level
6) Also see page 480.



4 (6) mm², 20 A, double-level terminal block with disconnect zone



Dimensions		[mm]	
Max. electrical data			
Rated data, lower level			
Rated voltage	[V]	500*	300
Nominal current / cross section	[A] / [mm ²]	30*) / 4	30 / -
Rated cross section	[mm ²]	4	-
Cross section range	AWG	26 - 10	26-10
Rated data, upper level			
Rated voltage	[V]	500	300
Nominal current / cross section	[A] / [mm ²]	20 / 2.5	16 / -
Rated cross section	[mm ²]	4	-
Cross section range	AWG	26 - 10	26-10
Connection capacity			
1 conductor	[mm ²]	0.14 - 6	0.14 - 6
Two conductors (of the same type)	[mm ²]	0.14 - 1.5	0.14 - 1.5
Two stranded conductors with a TWIN ferrule	[mm ²]		0.14 - 1.5
General data			
Stripping length	[mm]	9	
Screw thread		M3	
Tightening torque	[Nm]	0,6 - 0,8	
Insulating material		PA	
Inflammability class according to UL 94		V0	

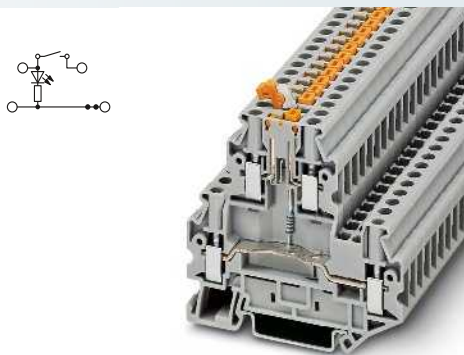
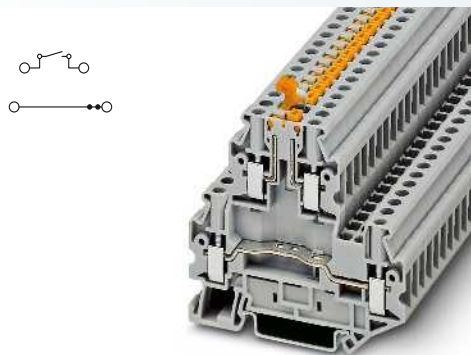
Technical data				
Width	Length	Height NS 35/7,5		
6.2	69.9	65		
I _{max} [A]	U _{max} [V]	max. Ø [mm ²]	AWG	
38 ²⁾	500 ⁴⁾	0.14 - 6	26 - 10	
IEC 60947-7-1				
IEC	UL/CUL	CSA	IEC/EN 60079-7	
500 ⁴⁾	300	300	-	
30*) / 4	30 / -	30 / -	-	
4	-	-	-	
26 - 10	26-10	26-10	-	
IEC				
UL/CUL	CSA	IEC/EN 60079-7		
500	300	300	-	
20 / 2.5	16 / -	5 / -	-	
4	-	-	-	
26 - 10	26-10	26-10	-	
Connection capacity				
solid	stranded	Ferrule		
		Without / with plastic sleeve		
0.14 - 6	0.14 - 6	0.14 - 4	0.14 - 4	
0.14 - 1.5	0.14 - 1.5	0.14 - 1.5	-	
		0.5 - 2.5		

Description	No. of pos.	Color
Disconnect terminal block , for mounting on NS 35...		gray
Knife disconnect terminal block , for mounting on NS 35...		gray
With test socket screws		gray
Knife disconnect terminal block , for assembly on NS 35..., with light indicator for 12 - 30 V DC, 0,7 - 2,4 mA		gray

Ordering data			
Type	I _{max}	Order No.	Pcs. / Pkt.
UTTB 4-TG		3044720	50

Cover , width 2.2 mm		gray
Spacer plate , compensates for level offsets, width 2.5 mm		gray
Plug-in bridge		
	2	red
	3	red
	4	red
	5	red
	10	red
	20	red
Switching lock , plug-in ⁶⁾		white
Partition plate , 2,2 mm wide		gray
Isolating plug ¹⁾		orange
Feed-through connector ¹⁾		gray
Component plug , labeled with ZBF 5 or UC-TMF 5 ²⁾		gray
Fuse plug , width 6.2 mm ³⁾		black
Screwdriver		
Lateral groove labeling		

Accessories			
D-UTTB 2,5/4		3047293	50
DP-UTTB 2,5/4		3047303	50
FBS 2-6	30 A	3030336	50
FBS 3-6	30 A	3030242	50
FBS 4-6	30 A	3030255	50
FBS 5-6	30 A	3030349	50
FBS 10-6	30 A	3030271	10
FBS 20-6	30 A	3030365	10
ATP-UTTB 2,5/4		3047316	50
P-DI		3036783	50
P-FIX		3038956	50
P-CO		3036796	10
P-FU 5X20		3036806	10
SF-SL 0,6X3,5-100 S-VDE		1212587	10
UC-TM 6, UCT-TM 6 or ZB 6 (see Catalog 5)			



4 (6) mm², 20 A, double-level knife disconnect terminal block

4 (6) mm², 20 A, double-level knife disconnect terminal block, with LED, test socket screw



Technical data			
Width	Length	Height NS 35/7,5	
6.2	69.9	65	
I_{max} [A]	U_{max} [V]	max. Ø [mm ²]	AWG
38 ⁵)	500	0.14 - 6	26 - 10
IEC 60947-7-1			
IEC	UL/CUL	CSA	IEC/EN 60079-7
500	300	300	-
30 / 4	30 / -	30 / -	-
4	-	-	-
26 - 10	26-10	26-10	-
IEC UL/CUL CSA IEC/EN 60079-7			
500	300	300	-
20 / 2.5	16 / -	5 / -	-
4	-	-	-
26 - 10	26-10	26-10	-
solid	stranded	Ferrule Without / with plastic sleeve	
0.14 - 6	0.14 - 6	0.14 - 4	0.14 - 4
0.14 - 1.5	0.14 - 1.5	0.14 - 1.5	-
			0.5 - 2.5
9			
M3			
0.6 - 0.8			
PA			
V0			

Technical data			
Width	Length	Height NS 35/7,5	
6.2	69.9	65	
I_{max} [A]	U_{max} [V]	max. Ø [mm ²]	AWG
38 ⁵)	24	0.14 - 6	26 - 10
IEC 60947-7-1			
IEC	UL/CUL	CSA	IEC/EN 60079-7
24	300	24	-
30 / 4	30 / -	30 / -	-
4	-	-	-
26 - 10	26-10	26-10	-
IEC UL/CUL CSA IEC/EN 60079-7			
24	300	24	-
20 / 2.5	16 / -	5 / -	-
4	-	-	-
26 - 10	26-10	26-10	-
solid	stranded	Ferrule Without / with plastic sleeve	
0.14 - 6	0.14 - 6	0.14 - 4	0.14 - 4
0.14 - 1.5	0.14 - 1.5	0.14 - 1.5	-
			0.5 - 2.5
9			
M3			
0.6 - 0.8			
PA			
V0			

Ordering data			
Type	I_{max}	Order No.	Pcs. / Pkt.
UTT B 4-MT		3044775	50
UTT B 4-MT P/P		3044762	50

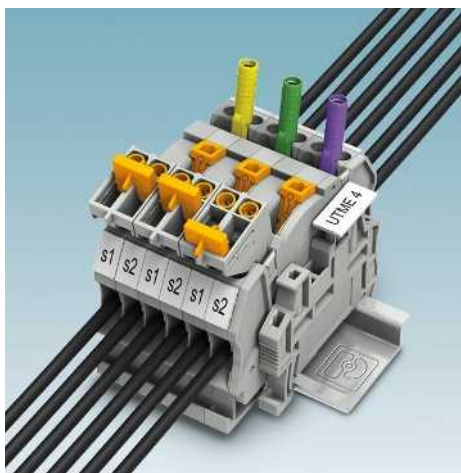
Ordering data			
Type	I_{max}	Order No.	Pcs. / Pkt.
UTT B 4-MT P/P LA 24 RD/O-U		3046773	50

Accessories			
D-UTT B 2,5/4		3047293	50
DP-UTT B 2,5/4		3047303	50
FBS 2-6	30 A	3030336	50
FBS 3-6	30 A	3030242	50
FBS 4-6	30 A	3030255	50
FBS 5-6	30 A	3030349	50
FBS 10-6	30 A	3030271	10
FBS 20-6	30 A	3030365	10
S-MT		3247954	50
ATP-UTT B 2,5/4		3047316	50
SZG 0,6X3,5 VDE		1205121	10
UC-TM 6, UCT-TM 6 or ZB 6 (see Catalog 5)			

Accessories			
D-UTT B 2,5/4		3047293	50
DP-UTT B 2,5/4		3047303	50
FBS 2-6	30 A	3030336	50
FBS 3-6	30 A	3030242	50
FBS 4-6	30 A	3030255	50
FBS 5-6	30 A	3030349	50
FBS 10-6	30 A	3030271	10
FBS 20-6	30 A	3030365	10
S-MT		3247954	50
ATP-UTT B 2,5/4		3047316	50
SF-SL 0,6X3,5-100 S-VDE		1212587	10
UC-TM 6, UCT-TM 6 or ZB 6 (see Catalog 5)			

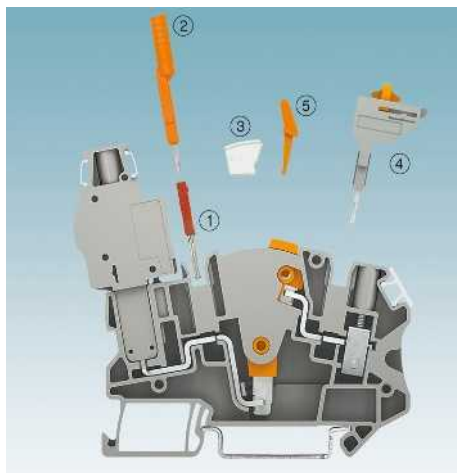
UT screw connection terminal blocks

UTME ... screw connection - test disconnect, feed-through, and ground terminal blocks

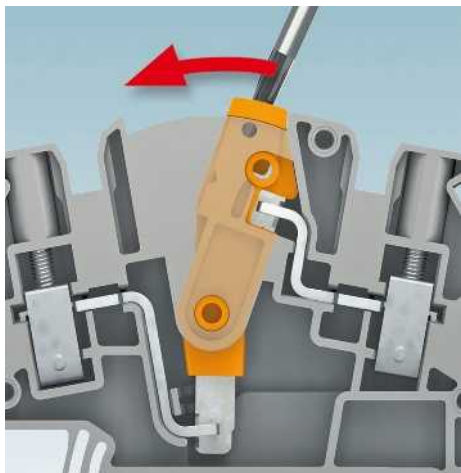


The latest generation of test disconnect terminal blocks with screw connection technology offer the following features:

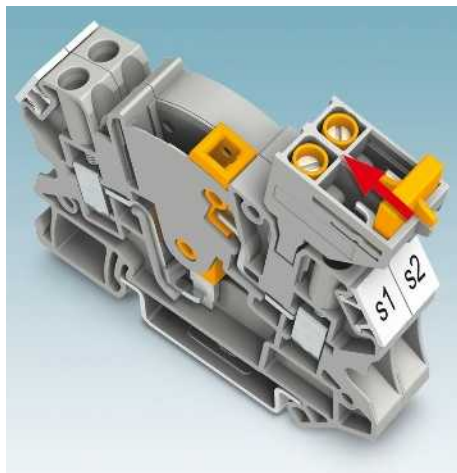
- Compact design
- Easy operation
- Two function shafts
- Clear arrangement
- Flexible and comprehensive accessories
- Feed-through and ground terminal blocks of the same shape are available



- Only two UTME 4 test disconnect terminal blocks are required for a current transformer measuring circuit
- Less space required compared to creating circuits with slide-type terminal blocks
- ① FBS... plug-in bridge for cross connection
- ② 4 mm Ø PAI-4-FIX... test plug adapter
- ③ S-ME 4 switching lock
- ④ SB-ME... switching jumper
- ⑤ C-ME 4/2 connection bridge



- Reliable contacting and latching of the longitudinal isolating switch in the relevant switching state
- Clear selection thanks to printed switching symbols
- Unintentional switching prevented by means of optional switching lock
- Two or three switches can be actuated at the same time using a connection bridge



- SB-ME ... switching jumpers can be positioned and latched on both sides of the disconnect point in the bridge shaft
- Reliably snapped into the end positions
- Contact made via screw terminal points

Notes:

For current carrying capacity of DIN rails, see page 716.

For further plug-in bridges, see page 472.

For further test adapters, see page 479.

Dimensions

[mm]

Max. electrical data

Rated data

Rated voltage	[V]
Nominal current / cross section	[A] / [mm ²]
Rated cross section	[mm ²]
Cross section range	AWG

Connection capacity

1 conductor	[mm ²]
Two conductors (of the same type)	[mm ²]
Two stranded conductors with a TWIN ferrule	[mm ²]

General data

Stripping length	[mm]
Screw thread	
Tightening torque	[Nm]
Insulating material	
Inflammability class according to UL 94	

Description	No. of pos.	Color
Test disconnect terminal block , for mounting on NS 35		gray
With test socket screws		gray
With test socket screws		blue
Feed-through terminal block , for mounting on NS 35...		gray
Ground terminal block , for mounting on NS 35...		green-yellow

Cover, width 2.2 mm gray

Switching jumper, plug-in

2	gray/orange
3	gray/orange
4	gray/orange

Plug-in bridge

2	red
3	red
4	red
5	red
20	red

Switching lock, plug-in white

Connection bridge, for connecting two test disconnect terminal blocks orange

3-pos. orange

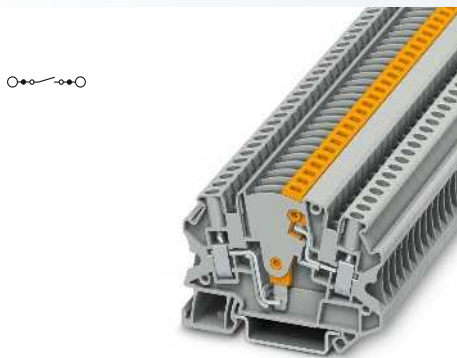
Test adapter, for 4 mm Ø safety test plugs, latches into the bridge shaft orange

yellow
green
violet
black

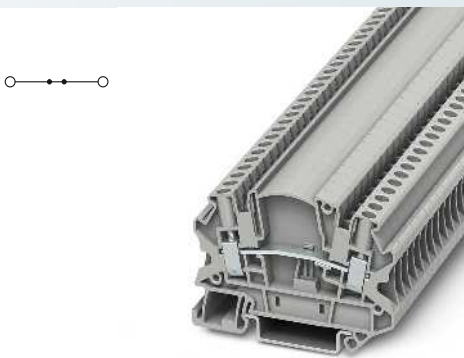
Modular test plug, for the individual assembly of test plug strips red

Screwdriver

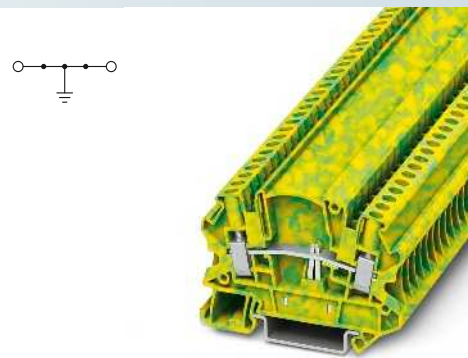
Lateral groove labeling



4 (6) mm², 28 A, test disconnect terminal block



4 (6) mm², 28 A, feed-through terminal block, same shape



4 (6) mm², ground terminal block, same shape



Technical data			
Width	Length	Height NS 35/7,5	
6.2	66	49.5	
I_{max} [A]	U_{max} [V]	max. Ø [mm ²]	AWG
28	500	0.14 - 6	26 - 10
IEC 60947-7-1			
IEC	UL/CUL	CSA	IEC/EN 60079-7
500	600	600	-
28 / 4	25 / -	25	-
4	-	-	-
26 - 10	26-10	26-10	-
solid	stranded	Ferrule	
Without / with plastic sleeve			
0.14 - 6	0.14 - 6	0.14 - 4	0.14 - 4
0.14 - 1.5	0.14 - 1.5	0.14 - 1.5	-
0.5 - 2.5			
9	M3	0.6 - 0.8	
PA			
V0			

Technical data			
Width	Length	Height NS 35/7,5	
6.2	66	47.7	
I_{max} [A]	U_{max} [V]	max. Ø [mm ²]	AWG
32	500	0.14 - 6	26 - 10
IEC 60947-7-1			
IEC	UL/CUL	CSA	IEC/EN 60079-7
500	600	600	-
32 / 4	25 / -	25	-
4	-	-	-
26 - 10	26-10	26-10	-
solid	stranded	Ferrule	
Without / with plastic sleeve			
0.14 - 6	0.14 - 6	0.14 - 4	0.14 - 4
0.14 - 1.5	0.14 - 1.5	0.14 - 1.5	-
0.5 - 2.5			
9	M3	0.6 - 0.8	
PA			
V0			

Technical data			
Width	Length	Height NS 35/7,5	
6.2	66	47.7	
		max. Ø [mm ²]	AWG
		0.14 - 6	26 - 10
IEC 60947-7-2			
IEC	UL/CUL	CSA	IEC/EN 60079-7
-	-	-	-
-	- / -	-	-
4	-	-	-
26 - 10	26-10	26-10	-
solid	stranded	Ferrule	
Without / with plastic sleeve			
0.14 - 6	0.14 - 6	0.14 - 4	0.14 - 4
0.14 - 1.5	0.14 - 1.5	0.14 - 1.5	-
0.5 - 2.5			
9	M3	0.6 - 0.8	
PA			
V0			

Ordering data			
Type	I_{max}	Order No.	Pcs. / Pkt.
UTME 4		3047452	50
UTME 4-P/P		3047453	50
UTME 4-P/P BU		3047454	50

Ordering data			
Type	I_{max}	Order No.	Pcs. / Pkt.
UTMED 4		3047465	50

Ordering data			
Type	Order No.	Pcs. / Pkt.	
UTMED 4-PE	3047478	50	

Accessories			
D-UTME 4		3047491	10
SB-ME 2-6	25 A	3035755	10
SB-ME 3-6	25 A	3035756	10
SB-ME 4-6	25 A	3035757	10
FBS 2-6	32 A	3030336	50
FBS 3-6	32 A	3030242	50
FBS 4-6	32 A	3030255	50
FBS 5-6	32 A	3030349	50
FBS 20-6	32 A	3030365	10
S-ME 4		3035758	10
C-ME 4/2		3035759	10
C-ME 4/3		3035760	10
PAI-4-FIX-5/6 OG		3035974	10
PAI-4-FIX-5/6 YE		3035977	10
PAI-4-FIX-5/6 GN		3035978	10
PAI-4-FIX-5/6 VT		3035979	10
PAI-4-FIX-5/6 BK		3035980	10
PS-6		3030996	10
SZF 1-0,6X3,5		1204517	10

Accessories			
D-UTME 4		3047491	10
SB-ME 2-6	25 A	3035755	10
SB-ME 3-6	25 A	3035756	10
SB-ME 4-6	25 A	3035757	10
FBS 2-6	32 A	3030336	50
FBS 3-6	32 A	3030242	50
FBS 4-6	32 A	3030255	50
FBS 5-6	32 A	3030349	50
FBS 20-6	32 A	3030365	10
PAI-4-FIX-5/6 OG		3035974	10
PAI-4-FIX-5/6 YE		3035977	10
PAI-4-FIX-5/6 GN		3035978	10
PAI-4-FIX-5/6 VT		3035979	10
PAI-4-FIX-5/6 BK		3035980	10
PS-6		3030996	10
SZF 1-0,6X3,5		1204517	10

Accessories			
D-UTME 4		3047491	10
SB-ME 2-6		3035755	10
SB-ME 3-6		3035756	10
SB-ME 4-6		3035757	10
FBS 2-6		3030336	50
FBS 3-6		3030242	50
FBS 4-6		3030255	50
FBS 5-6		3030349	50
FBS 20-6		3030365	10
PAI-4-FIX-5/6 OG		3035974	10
PAI-4-FIX-5/6 YE		3035977	10
PAI-4-FIX-5/6 GN		3035978	10
PAI-4-FIX-5/6 VT		3035979	10
PAI-4-FIX-5/6 BK		3035980	10
PS-6		3030996	10
SZF 1-0,6X3,5		1204517	10

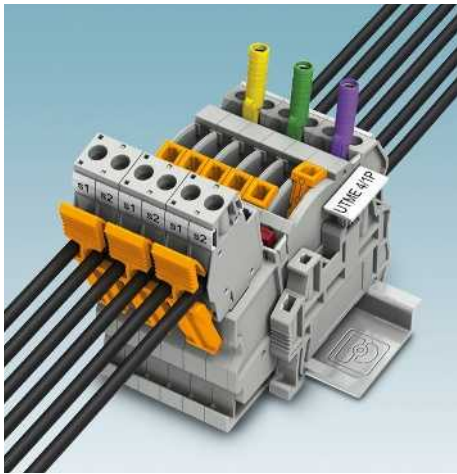
UC-TM 6, UCT-TM 6 or ZB 6 (see Catalog 5)

UC-TM 6, UCT-TM 6 or ZB 6 (see Catalog 5)

UC-TM 6, UCT-TM 6 or ZB 6 (see Catalog 5)

UT screw connection terminal blocks

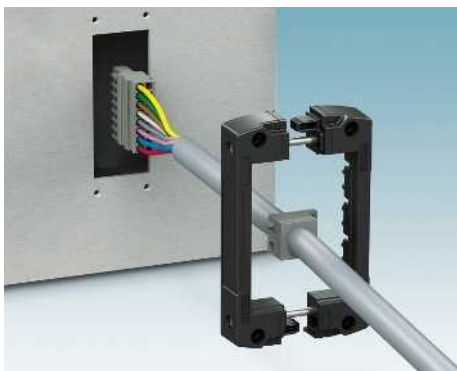
UTME 4/1P plug-in test disconnect terminal blocks



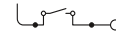
- The COMBI system offers the highest levels of protection for users, as both the basic terminal blocks and the plugs are touch proof. Alongside the safety aspect, this offers great flexibility for configuration work: the supply may be routed via the terminal blocks or the plugs
- Thanks to the straightforward, custom coding option, wiring reliability is increased and incorrect connections are avoided
- Strain relief can be snapped on
- Latching fixes connectors to basic terminal blocks

Cable entry system

- The CES cable entry system (see Catalog 4) enables the easy and space-saving installation of pre-assembled cables with IP54/IP65 protection in the control cabinet, see figure below



Notes:
For corresponding AP-ME and AH-ME terminal strip covers, see Catalog 5.
1) For derating curve, visit www.phoenixcontact.net/products



4 (6) mm², 28 A, test disconnect terminal block



Dimensions	
	[mm]
Max. electrical data	
Rated voltage	[V]
Nominal current / cross section	[A] / [mm ²]
Rated cross section	[mm ²]
Cross section range	AWG
Connection capacity	
1 conductor	[mm ²]
Two conductors (of the same type)	[mm ²]
Two stranded conductors with a TWIN ferrule	[mm ²]
General data	
Stripping length	[mm]
Screw thread	
Tightening torque	[Nm]
Insulating material	
Inflammability class according to UL 94	

Technical data				
Width	Length	Height NS 35/7.5		
6.2	71.1	49.5		
I _{max} [A]	U _{max} [V]	max. Ø [mm ²]	AWG	
28 ¹⁾	500	0.14 - 6	26 - 10	
IEC 61984				
IEC	UL/CUL	CSA	IEC/EN 60079-7	
500	600	600	-	
28 ¹⁾ / 4	25 / -	25	-	
4	-	-	-	
26 - 10	26-10	26-10	-	
solid	stranded		Ferrule	
			Without / with plastic sleeve	
0.14 - 6	0.14 - 4	0.14 - 4	0.14 - 4	
0.14 - 1.5	0.14 - 1.5	0.14 - 1.5	-	
			0.5 - 2.5	
9				
M3				
0.6 - 0.8				
PA				
V0				

Description	No. of pos.	Color
Terminal block, for mounting on NS 35...		gray

Ordering data			
Type	I _{max}	Order No.	Pcs. / Pkt.
UTME 4/1P		3057416	50

Accessories		
Cover , width 2.2 mm		gray
Switching jumper , plug-in		
	2	gray/orange
	3	gray/orange
	4	gray/orange
Plug-in bridge		
	2	red
	3	red
	4	red
	5	red
	10	red
	20	red
Switching lock , plug-in		white
Connection bridge , for connecting two test disconnect terminal blocks		orange
3-pos.		orange
Test adapter , for 4 mm Ø safety test plugs, latches into the bridge shaft		orange
		yellow
		green
		violet
		black
		blue
		red
		gray
		brown
Modular test plug , for the individual assembly of test plug strips		red
Coding star , with 4 coding branches, can be inserted in all basic terminal blocks		red
Screwdriver		
Lateral groove labeling		

Accessories			
D-UTME 4/1P		Order No.	Pcs. / Pkt.
D-UTME 4/1P		3057429	10
SB-ME 2-6	28 A	3035755	10
SB-ME 3-6	28 A	3035756	10
SB-ME 4-6	28 A	3035757	10
FBS 2-6	32 A	3030336	50
FBS 3-6	32 A	3030242	50
FBS 4-6	32 A	3030255	50
FBS 5-6	32 A	3030349	50
FBS 10-6	32 A	3030271	10
FBS 20-6	32 A	3030365	10
S-ME 4		3035758	10
C-ME 4/2		3035759	10
C-ME 4/3		3035760	10
PAI-4-FIX-5/6 OG		3035974	10
PAI-4-FIX-5/6 YE		3035977	10
PAI-4-FIX-5/6 GN		3035978	10
PAI-4-FIX-5/6 VT		3035979	10
PAI-4-FIX-5/6 BK		3035980	10
PAI-4-FIX-5/6 BU		3035975	10
PAI-4-FIX-5/6 RD		3035976	10
PAI-4-FIX-5/6 GD		3035982	10
PAI-4-FIX-5/6 BN		3035981	10
PS-6		3030996	10
PC		3040588	50
SZF 1-0,6X3,5		1204517	10
UC-TM 6, UCT-TM 6 or ZB 6 (see Catalog 5)			

COMBI plugs with a screw connection

- Connector with two conductor connection directions
- UPBV... can be bridged
- Strain relief and connector latching can be snapped on as an option

Notes:
For self-assembly connectors, see page 410.
1) For derating curve, visit www.phoenixcontact.net/products



4 (6) mm², 32 A, plug, connection at a right angle to the plug-in direction, can be bridged



4 (6) mm², 32 A, plug, connection in plug-in direction, cannot be bridged



Technical data			
Width	Length	Height	Height when plugged in
6.2 x No. of pos.	22	48.5	32.2
I _{max} [A]	U _{max} [V]	max. Ø [mm ²]	AWG
32 ¹⁾	800	0.14 - 6	26 - 10
IEC 61984	UL/CUL	CSA	IEC/EN 60079-7
800	600	600	-
32 ¹⁾ / 4	30 / -	30	-
4	-	-	-
26 - 10	26-10	26-10	-
Connection capacity		Ferrule	
		Without / with plastic sleeve	
1 conductor	[mm ²]	0.14 - 6	0.14 - 6
Two conductors (of the same type)	[mm ²]	0.14 - 1.5	0.14 - 1.5
Two stranded conductors with a TWIN ferrule	[mm ²]	-	0.5 - 1
General data			
Stripping length	[mm]	9	
Screw thread		M3	
Tightening torque	[Nm]	0.6 - 0.8	
Insulating material		PA	
Inflammability class according to UL 94		V0	



Technical data			
Width	Length	Height	Height when plugged in
6.2 x No. of pos.	21	41.2	24.8
I _{max} [A]	U _{max} [V]	max. Ø [mm ²]	AWG
32 ¹⁾	800	0.14 - 6	24 - 10
IEC 61984	UL/CUL	CSA	IEC/EN 60079-7
800	600	600	-
32 ¹⁾ / 4	30 / -	30	-
4	-	-	-
24 - 10	26-10	26-10	-
Connection capacity		Ferrule	
		Without / with plastic sleeve	
0.14 - 6	0.14 - 6	0.14 - 4	0.14 - 4
0.14 - 1.5	0.14 - 1.5	0.14 - 1.5	-
		0.5 - 1.5	
General data			
9			
M3			
0.6 - 0.8			
PA			
V0			

Ordering data			
Description	No. of pos.	Color	Type
COMBI plug, with a screw connection			
	1	gray	UPBV 4/ 1
	2	gray	UPBV 4/ 2
	3	gray	UPBV 4/ 3
	4	gray	UPBV 4/ 4
	5	gray	UPBV 4/ 5
	6	gray	UPBV 4/ 6
	7	gray	UPBV 4/ 7
	8	gray	UPBV 4/ 8
	9	gray	UPBV 4/ 9
	10	gray	UPBV 4/10
	11	gray	UPBV 4/11
	12	gray	UPBV 4/12
	13	gray	UPBV 4/13
	14	gray	UPBV 4/14
	15	gray	UPBV 4/15
	1	blue	UPBV 4/ 1 BU
	1	green-yellow	UPBV 4/ 1 GNYE

Ordering data		
Type	Order No.	Pcs. / Pkt.
UP 4/ 1	3060115	50
UP 4/ 2	3060128	50
UP 4/ 3	3060131	50
UP 4/ 4	3060144	50
UP 4/ 5	3060157	50
UP 4/ 6	3060160	25
UP 4/ 7	3060173	25
UP 4/ 8	3060186	25
UP 4/ 9	3060199	25
UP 4/10	3060209	25
UP 4/11	3060212	10
UP 4/12	3060225	10
UP 4/13	3060238	10
UP 4/14	3060241	10
UP 4/15	3060254	10
UP 4/ 1 BU	3045282	50
UP 4/ 1 GNYE	3045295	50

Accessories			
Description	Color	Type	Pcs. / Pkt.
Plug-in bridge			
	2	red	FBS 2-6
	3	red	FBS 3-6
	4	red	FBS 4-6
	5	red	FBS 5-6
	10	red	FBS 10-6
	20	red	FBS 20-6
Strain relief, for UPBV... connectors, 2-pos.			
		black	UPZ/ 2
Latching, for connectors, 1-pos.			
		orange	UPR/ 2
Latching and strain relief, for UPBV... connectors, 2-pos.			
		orange	UPRZ

Accessories		
Description	Type	Pcs. / Pkt.
Strain relief, for UPBV... connectors, 2-pos.		
	PZ/2	3040627 50
Latching, for connectors, 1-pos.		
	PR	3040559 50
Latching and strain relief, for UPBV... connectors, 2-pos.		
	PR/2	3040630 50
	PRZ	3040614 50

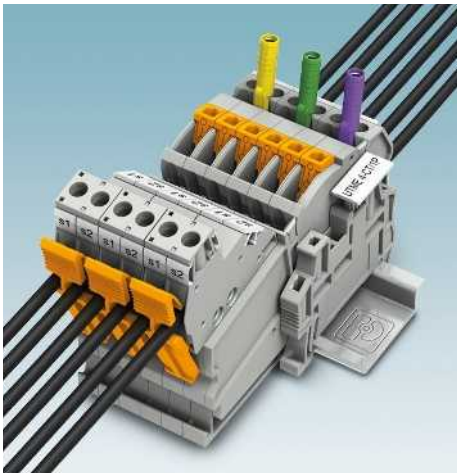
UC-TMF 6, UCT-TMF 6 or ZBF 6 (see Catalog 5)
--

UC-TMF 6, UCT-TMF 6 or ZBF 6 (see Catalog 5)
--

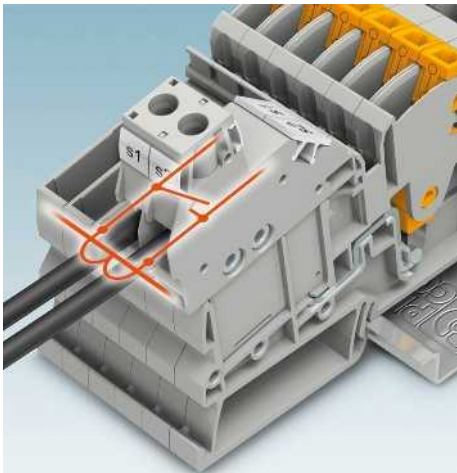
UC-TMF 6, UCT-TMF 6 or ZBF 6 (see Catalog 5)
--

UT screw connection terminal blocks

UTME 4-CT... plug-in current transformer disconnect terminal blocks with automatic short-circuit function

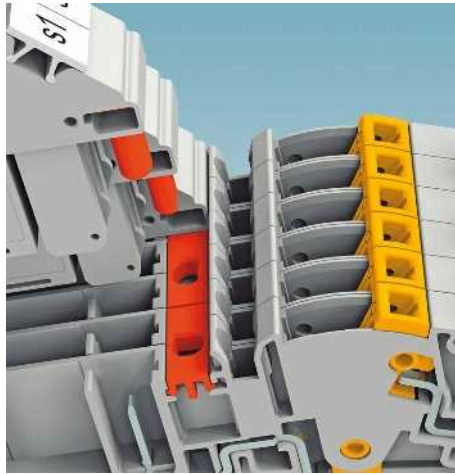


- The terminal block with patented short-circuit plug is particularly convenient and safe. If the connector is removed, an advanced short circuit occurs automatically.
- Connected measuring transducers are automatically protected against damage



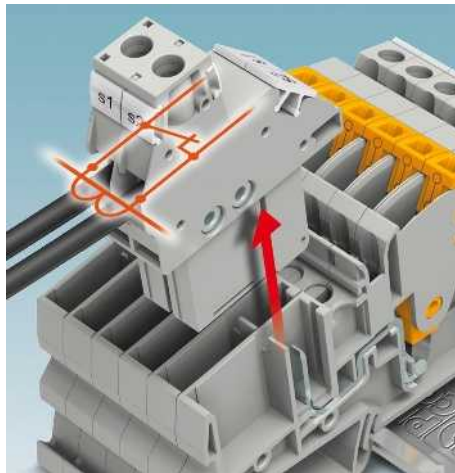
Function:

- Connector inserted - no short circuit



Easy and safe coding

- Both connector versions can be reliably protected against polarity reversal using a snap-in coding profile
- The short-circuit plugs are available in a 2- and 3-pos. version
- Strain relief and connector latching can be snapped on as an option



Function:

- Connector removed - automatic, leading short circuit

Notes:

For further test adapters, see page 479.

For corresponding AP-ME and AH-ME terminal strip covers, see Catalog 5.

¹⁾ For derating curve, visit www.phoenixcontact.net/products

Dimensions

[mm]

Max. electrical data

Rated data

Rated voltage	[V]
Nominal current / cross section	[A] / [mm ²]
Rated cross section	[mm ²]
Cross section range	AWG

Connection capacity

1 conductor	[mm ²]
Two conductors (of the same type)	[mm ²]
Two stranded conductors with a TWIN ferrule	[mm ²]

General data

Stripping length	[mm]
Screw thread	
Tightening torque	[Nm]
Insulating material	
Inflammability class according to UL 94	

Description	No. of pos.	Color
Terminal block, for mounting on NS 35...		gray
COMBI plug, with integrated short-circuit function, 2-pos.		gray
3-pos.		gray

Cover, width 2.2 mm		gray
---------------------	--	------

Plug-in bridge

	2	red
	3	red
	4	red
	5	red
	10	red
	20	red

Switching lock, plug-in white

Connection bridge, for connecting two test disconnect terminal blocks orange

3-pos. orange

Test adapter, for 4 mm Ø safety test plugs, latches into the bridge shaft orange

yellow

Modular test plug, for the individual assembly of test plug strips red

black

Strain relief, for UPBV... connectors, 2-pos. black

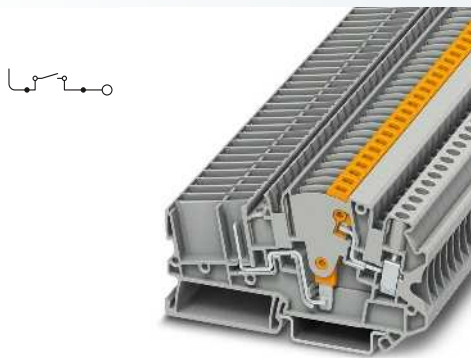
Coding profile, for 2-pos. plug red

For 3-pos. plugs red

Screwdriver

Lateral groove labeling

Lateral groove labeling



4 (6) mm², 28 A, current transformer disconnect terminal block



4 (6) mm², 20 A, plug, with integrated short-circuit function, 2-pos.



4 (6) mm², 20 A, plug, with integrated short-circuit function, 3-pos.



Technical data			
Width	Length	Height NS 35/7,5	
6.2	86.5	49.5	
I _{max} [A]	U _{max} [V]	max. Ø [mm ²]	AWG
28	500	0.14 - 6	26 - 10
IEC 61984			
IEC	UL/CUL	CSA	IEC/EN 60079-7
500	600	600	-
28*) / 4	25 / -	25	-
4	-	-	-
26 - 10	26-10	26-10	-
solid	stranded	Ferrule	
		Without / with plastic sleeve	
0.14 - 6	0.14 - 4	0.14 - 4	0.14 - 4
0.14 - 1.5	0.14 - 1.5	0.14 - 1.5	-
			0.5 - 2.5
9	M3	0.6 - 0.8	PA
			V0

Technical data			
Width	Length	Height NS 35/7,5	
12.4	38.5	-	
I _{max} [A]	U _{max} [V]	max. Ø [mm ²]	AWG
20	320	0.14 - 6	26 - 10
IEC 61984			
IEC	UL/CUL	CSA	IEC/EN 60079-7
320	300	300	-
20 / 4	25 / -	25	-
4	-	-	-
26 - 10	26-10	26-10	-
solid	stranded	Ferrule	
		Without / with plastic sleeve	
0.14 - 6	0.14 - 6	0.14 - 4	0.14 - 4
0.14 - 1.5	0.14 - 1.5	0.14 - 1.5	-
			0.5 - 1
9	M3	0.6 - 0.8	PA
			V0

Technical data			
Width	Length	Height NS 35/7,5	
18.6	38.5	-	
I _{max} [A]	U _{max} [V]	max. Ø [mm ²]	AWG
20	320	0.14 - 6	26 - 10
IEC 61984			
IEC	UL/CUL	CSA	IEC/EN 60079-7
320	300	300	-
20 / 4	25 / -	25	-
4	-	-	-
26 - 10	26-10	26-10	-
solid	stranded	Ferrule	
		Without / with plastic sleeve	
0.14 - 6	0.14 - 6	0.14 - 4	0.14 - 4
0.14 - 1.5	0.14 - 1.5	0.14 - 1.5	-
			0.5 - 1
9	M3	0.6 - 0.8	PA
			V0

Ordering data			
Type	I _{max}	Order No.	Pcs. / Pkt.
UTME 4-CT/1P		3057432	50

Ordering data			
Type	I _{max}	Order No.	Pcs. / Pkt.
UPCT 4/2		3057461	10

Ordering data			
Type	I _{max}	Order No.	Pcs. / Pkt.
UPCT 4/3		3057458	10

Accessories			
D-UTME 4-CT/1P		3057445	10
FBS 2-6	32 A	3030336	50
FBS 3-6	32 A	3030242	50
FBS 4-6	32 A	3030255	50
FBS 5-6	32 A	3030349	50
FBS 10-6	32 A	3030271	10
FBS 20-6	32 A	3030365	10
S-ME 4		3035758	10
C-ME 4/2		3035759	10
C-ME 4/3		3035760	10
PAI-4-FIX-5/6 OG		3035974	10
PAI-4-FIX-5/6 YE		3035977	10
PS-6		3030996	10
SZF 1-0,6X3,5		1204517	10

Accessories			
UPZ/ 2		3045554	50
PC-CT/2		3032855	1
SZF 1-0,6X3,5		1204517	10

Accessories			
UPZ/ 2		3045554	50
PC-CT/3		3032868	1
SZF 1-0,6X3,5		1204517	10

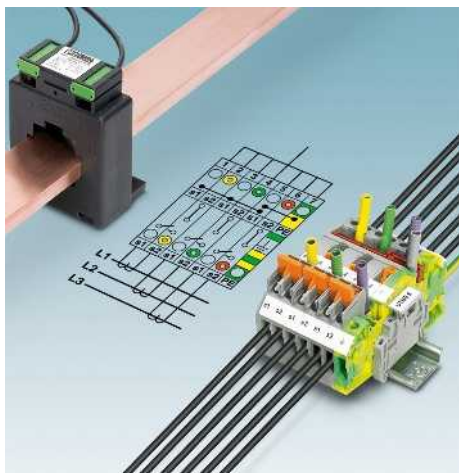
UC-TM 6, UCT-TM 6 or ZB 6
(see Catalog 5)

UC-TM 6, UCT-TM 6 or ZB 6
(see Catalog 5)
UC-TMF 6, UCT-TMF 6 or ZBF 6
(see Catalog 5)

UC-TM 6, UCT-TM 6 or ZB 6
(see Catalog 5)
UC-TMF 6, UCT-TMF 6 or ZBF 6
(see Catalog 5)

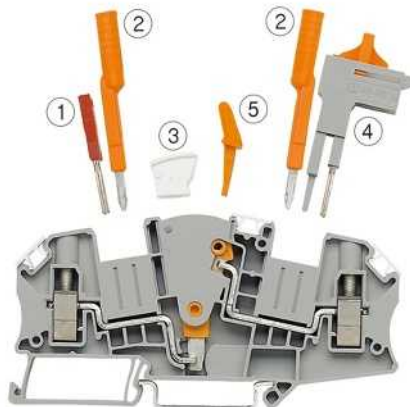
UT screw connection terminal blocks

UTME 6 test disconnect terminal blocks

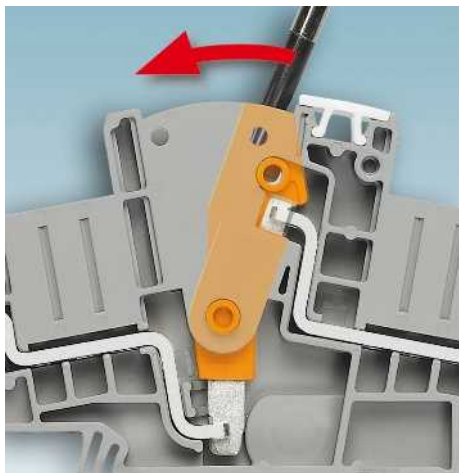


The latest generation of test disconnect terminal blocks with screw connection offer the following features:

- Compact design
- Easy operation
- Six function shafts
- Clear arrangement
- Flexible and comprehensive accessories
- Feed-through terminal block of the same shape available



- Only two UTME 6 test disconnect terminal blocks are required for a current transformer measuring circuit
- Less space required compared to creating circuits with slide-type terminal blocks
- ① FBS... plug-in bridge for cross connection
- ② 4 mm Ø PAI-4-FIX... test plug adapter
- ③ S-ME 6 switching lock
- ④ SB-ME... switching jumper
- ⑤ C-ME 6/2 connection bridge



- Reliable contacting and latching of the longitudinal isolating switch in the relevant switching state
- Clear selection thanks to printed switching symbols
- Unintentional switching prevented by means of optional switching lock
- Two or three switches can be actuated at the same time using a connection bridge



- SB-ME ... switching jumpers can be positioned and latched on both sides of the disconnect point in the bridge shaft
- Reliably snapped into the end positions
- Contact made via screw terminal points

Notes:

- For current carrying capacity of DIN rails, see page 716.
- For further test adapters, see page 479.
- For corresponding terminal strip covers, see Catalog 5.

Dimensions

[mm]

Max. electrical data

Rated data

Rated voltage	[V]
Nominal current / cross section	[A] / [mm ²]
Rated cross section	[mm ²]
Cross section range	AWG

Connection capacity

1 conductor	[mm ²]
Two conductors (of the same type)	[mm ²]
Two stranded conductors with a TWIN ferrule	[mm ²]

General data

Stripping length	[mm]
Screw thread	
Tightening torque	[Nm]
Insulating material	
Inflammability class according to UL 94	

Description	No. of pos.	Color
Test disconnect terminal block , for mounting on NS 35		gray
Feed-through terminal block , for mounting on NS 35...		gray
Ground terminal block , for mounting on NS 35...		green-yellow

Cover, width 2.2 mm

gray

Switching jumper, plug-in

2	gray/orange
3	gray/orange
4	gray/orange

Plug-in bridge

2	red
3	red
4	red
5	red
10	red

Pre-assembled bridge, labeled

3-pos., positions 1, 3	2	red
4-pos., positions 1, 4	2	red
5-pos., positions 1, 3, 5	3	red
10-pos. positions 1, 4, 7, 10	4	red

Switching lock, plug-in

white

Connection bridge, for connecting two test disconnect terminal blocks

orange

3-pos.

orange

Test adapter, for 4-mm-Ø safety test plug, snapped into bridge shaft

orange

yellow

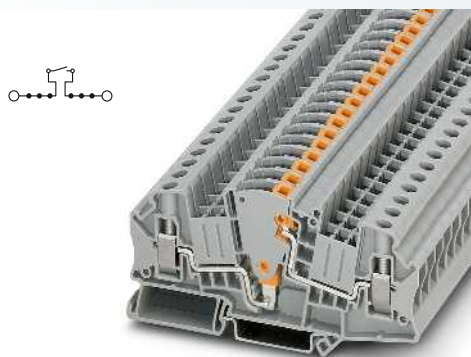
green

gray

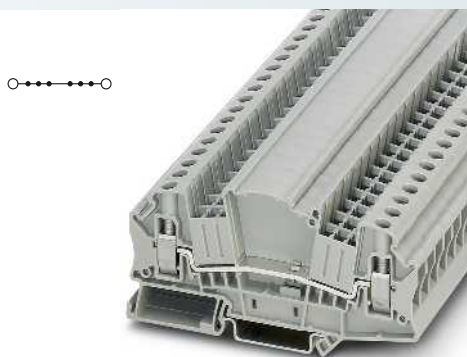
Partition plate, with storage option for switching jumpers

Screwdriver

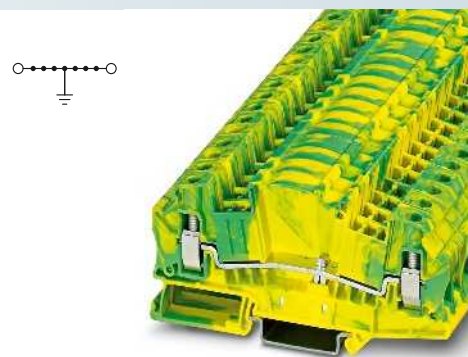
Center and lateral groove labeling



6 (10) mm², 30 A, test disconnect terminal block



6 (10) mm², 41 A, feed-through terminal block, same shape



6 (10) mm², ground terminal block, same shape



Technical data			
Width	Length	Height NS 35/7,5	
8.2	100.8	49.6	
I_{max} [A]	U_{max} [V]	max. Ø [mm ²]	AWG
30	500	0.2 - 10	24 - 8
IEC 60947-7-1			
IEC	UL/CUL	CSA	IEC/EN 60079-7
500	600	600	-
30/6	30/-	30/-	-
6	-	-	-
24-8	24-8	24-8	-
solid	stranded	Ferrule	
		Without / with plastic sleeve	
0.2 - 10	0.2 - 10	0.25 - 6	0.25 - 6
0.2 - 2.5	0.2 - 2.5	0.25 - 2.5	-
		0.5 - 4	
10			
M4			
1.5 - 1.8			
PA			
V0			

Technical data			
Width	Length	Height NS 35/7,5	
8.2	100.8	49.6	
I_{max} [A]	U_{max} [V]	max. Ø [mm ²]	AWG
41	500	0.2 - 10	24 - 8
IEC 60947-7-1			
IEC	UL/CUL	CSA	IEC/EN 60079-7
500	600	600	-
41/6	30/-	30/-	-
6	-	-	-
24-8	24-8	24-8	-
solid	stranded	Ferrule	
		Without / with plastic sleeve	
0.2 - 10	0.2 - 10	0.25 - 6	0.25 - 6
0.2 - 2.5	0.2 - 2.5	0.25 - 2.5	-
		0.5 - 4	
10			
M4			
1.5 - 1.8			
PA			
V0			

Technical data			
Width	Length	Height NS 35/7,5	
8.2	100.8	49.6	
		max. Ø [mm ²]	AWG
		0.2 - 10	24 - 8
IEC 60947-7-2			
IEC	UL/CUL	CSA	IEC/EN 60079-7
-	-	-	-
-	-/-	-	-
6	-	-	-
24-8	24-8	24-8	-
solid	stranded	Ferrule	
		Without / with plastic sleeve	
0.2 - 10	0.2 - 10	0.25 - 6	0.25 - 6
0.2 - 2.5	0.2 - 2.5	0.25 - 2.5	-
		0.5 - 4	
10			
M4			
1.5 - 1.8			
PA			
V0			

Ordering data			
Type	I_{max}	Order No.	Pcs. / Pkt.
UTME 6		3047400	50

Ordering data			
Type	I_{max}	Order No.	Pcs. / Pkt.
UTMED 6		3047413	50

Ordering data			
Type	Order No.	Pcs. / Pkt.	
UTMED 6-PE	3047442	50	

Accessories			
D-UTME 6		3047426	10
SB-ME 2-8	30 A	3034468	10
SB-ME 3-8	30 A	3032800	10
SB-ME 4-8	30 A	3034484	10
FBS 2-8	41 A	3030284	10
FBS 3-8	41 A	3030297	10
FBS 4-8	41 A	3030307	10
FBS 5-8	41 A	3030310	10
FBS 10-8	41 A	3030323	10
FBS 1/3-8	41 A	3032363	10
FBS 1/4-8	41 A	3032376	10
FBS 1/3/5-8	41 A	3032389	10
FBS 1/4/7/10-8	41 A	3032402	10
S-ME 6		3034439	10
C-ME 6/2		3034442	10
C-ME 6/3		3034390	50
PAI-4-FIX OG		3034455	10
PAI-4-FIX YE		3032745	10
PAI-4-FIX GN		3032758	10
CARRIER 35-8		3034387	10
SZF 2-0,8X4,0		1204520	10

Accessories			
D-UTME 6		3047426	10
SB-ME 2-8	30 A	3034468	10
SB-ME 3-8	30 A	3032800	10
SB-ME 4-8	30 A	3034484	10
FBS 2-8	41 A	3030284	10
FBS 3-8	41 A	3030297	10
FBS 4-8	41 A	3030307	10
FBS 5-8	41 A	3030310	10
FBS 10-8	41 A	3030323	10
FBS 1/3-8	41 A	3032363	10
FBS 1/4-8	41 A	3032376	10
FBS 1/3/5-8	41 A	3032389	10
FBS 1/4/7/10-8	41 A	3032402	10
PAI-4-FIX OG		3034455	10
PAI-4-FIX YE		3032745	10
PAI-4-FIX GN		3032758	10
CARRIER 35-8		3034387	10
SZF 2-0,8X4,0		1204520	10

Accessories			
D-UTME 6		3047426	10
FBS 2-8		3030284	10
FBS 3-8		3030297	10
FBS 4-8		3030307	10
FBS 5-8		3030310	10
FBS 10-8		3030323	10
FBS 1/3-8		3032363	10
FBS 1/4-8		3032376	10
FBS 1/3/5-8		3032389	10
FBS 1/4/7/10-8		3032402	10
PAI-4-FIX OG		3034455	10
PAI-4-FIX YE		3032745	10
PAI-4-FIX GN		3032758	10
CARRIER 35-8		3034387	10
SZF 2-0,8X4,0		1204520	10

UC-TM 8, UCT-TM 8 or ZB 8 (see Catalog 5)

UC-TM 8, UCT-TM 8 or ZB 8 (see Catalog 5)

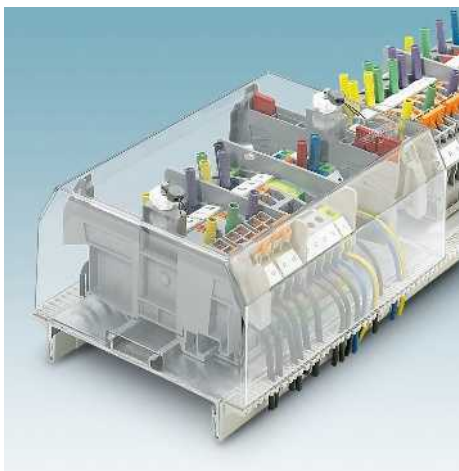
UC-TM 8, UCT-TM 8 or ZB 8 (see Catalog 5)

UT screw connection terminal blocks

UT 6-T HV test disconnect terminal blocks



- Compact 1000 V test disconnect terminal block with screw disconnect slide
- The terminal block provides a function shaft on both sides of the disconnect point and can be fitted with plug-in bridges and test adapters with 4 mm diameter
- The KSS short-circuit plugs make contact either in the test adapter or the test socket screws of the terminal points
- The CARRIER 35-8 provides a parking facility for KSS ... short-circuit plugs and FBS ... plug-in bridges
- SB-MER ... switching jumpers can be positioned and latched on both sides of the disconnect point in the bridge shaft
- Reliably snapped into the end positions
- Contact made via screw terminal points



Notes:
For further plug-in bridges, see page 472.
For further test sockets, see page 637.
For corresponding AP-ME and AH-ME terminal strip covers, see Catalog 5.



6 (10) mm², 57 A, 1000 V, test disconnect terminal block



Dimensions		[mm]
Dimensions		[mm]
Max. electrical data		
Rated data		
Rated voltage	[V]	1000
Nominal current / cross section	[A] / [mm ²]	41 / 6
Rated cross section	[mm ²]	6
Cross section range	AWG	24 - 8
Connection capacity		
1 conductor	[mm ²]	0.2 - 10
Two conductors (of the same type)	[mm ²]	0.2 - 2.5
Two stranded conductors with a TWIN ferrule	[mm ²]	0.2 - 2.5
General data		
Stripping length	[mm]	12
Terminal point: thread / torque	- / [Nm]	M4 / 1.2 - 1.4
Disconnect slide: thread / torque	- / [Nm]	M3 / 0.6 - 0.8
Insulating material		PA
Inflammability class according to UL 94		V0

Technical data			
Width	Length	Height NS 35/7,5	
8.2	72.6	54.3	
Width	Length	Height NS 32	
8.2	72.6	59.3	
I _{max} [A]	U _{max} [V]	max. Ø [mm ²]	AWG
57	1000	0.2 - 10	24 - 8
IEC 60947-7-1	UL/CUL	CSA	IEC/EN 60079-7
IEC	UL/CUL	CSA	IEC/EN 60079-7
Rated voltage	[V]	1000	-
Nominal current / cross section	[A] / [mm ²]	41 / 6	- / -
Rated cross section	[mm ²]	6	-
Cross section range	AWG	24 - 8	-
Connection capacity			
	solid	stranded	Ferrule
			Without / with plastic sleeve
1 conductor	0.2 - 10	0.2 - 10	0.25 - 6 0.25 - 6
Two conductors (of the same type)	0.2 - 2.5	0.2 - 2.5	0.25 - 1.5 -
Two stranded conductors with a TWIN ferrule			0.5 - 4

Description	No. of pos.	Color
Test disconnect terminal block , for mounting on NS 35 and NS 32		gray
With test socket screws		gray

Cover, width 2.2 mm	Color
Plug-in bridge	
	2 red
	5 red
	10 red

Switching jumper, plug-in	Color
	2 gray/orange
	3 gray/orange
	4 gray/orange
Switching lock , excludes the possibility of an unintentional operation of the disconnect slide	white

Partition plate, 2 mm width	Color
Test adapter , for 4-mm-Ø safety test plug, snapped into bridge shaft	orange
	yellow
	green
	black

Short-circuit plug, for short circuiting neighboring terminal blocks, fully insulated, 2-pos., I _{max} 20 A	Color
4-pos.	black
Screwdriver , for the terminal point	
Screwdriver , for test socket screws	

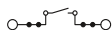
Lateral groove labeling
UC-TM 8, UCT-TM 8 or ZB 8 (see Catalog 5)

Ordering data			
Type	I _{max}	Order No.	Pcs. / Pkt.
UT 6-T-HV		3070134	50
UT 6-T-HV P/P		3070121	50

Accessories			
Type	I _{max}	Order No.	Pcs. / Pkt.
D-UT 6-T-HV		3070147	50
FBS 2-8	41 A	3030284	10
FBS 5-8	41 A	3030310	10
FBS 10-8	41 A	3030323	10
SB-MER 2-8	24 A	3000587	10
SB-MER 3-8	24 A	3000588	10
SB-MER 4-8	24 A	3000589	10
S-UT 6-T-HV		3070150	50
ATP-URTK/SP		0311139	10
PAI-4-FIX OG		3034455	10
PAI-4-FIX YE		3032745	10
PAI-4-FIX GN		3032758	10
KSS 8		0311540	10
KSS 4-8		0309549	10
SZS 1,0X6,5 VDE		1205079	10
SZG 0,9X6,5 VDE		1205134	10

URTK 6 / UGSK 6 test disconnect and slide-type terminal blocks

- The URTK 6 test disconnect terminal block and the UGSK 6 slide-type terminal block were developed specifically for use in current transformer secondary circuits
- Can be fitted on both sides with fixed and switchable bridges as well as test sockets with a 4 mm diameter



6 (10) mm², 57 A, test disconnect terminal block



6 (10) mm², 57 A, slide-type terminal block

Notes:
 For other test sockets, see page 637.
 For corresponding AP-ME and AH-ME terminal strip covers, see Catalog 5.



Technical data				
Width	Length	Height NS 35/7,5		
8.2	91	51		
Width	Length	Height NS 32		
8.2	91	56		
I _{max} [A]	U _{max} [V]	max. Ø [mm ²]	AWG	
57	400	0.5 - 10	20 - 8	
IEC 60947-7-1				
IEC	UL/CUL	CSA	IEC/EN 60079-7	
400	300	-	-	
Nominal current / cross section	[A] / [mm ²]	41 / 6	50 / -	-
Rated cross section	[mm ²]	6	-	-
Cross section range	AWG	20 - 8	26-8	-
Connection capacity				
	solid	stranded	Ferrule Without / with plastic sleeve	
1 conductor	[mm ²]	0.5 - 10	0.5 - 6	0.5 - 6
Two conductors (of the same type)	[mm ²]	0.5 - 2.5	0.5 - 4	-
Two stranded conductors with a TWIN ferrule	[mm ²]			0.5 - 4
General data				
Stripping length	[mm]	10		
Terminal point: thread / torque	- / [Nm]	M4 / 1.2 - 1.4		
Disconnect slide: thread / torque	- / [Nm]	M3 / 0.6 - 0.8		
Torque: test socket, fixed bridge, switch bar	[Nm]	0.6 - 0.8		
Insulating material		PA		
Inflammability class according to UL 94		V0		



Technical data				
Width	Length	Height NS 35/7,5		
8.2	91	51		
Width	Length	Height NS 32		
8.2	91	56		
I _{max} [A]	U _{max} [V]	max. Ø [mm ²]	AWG	
57	400	0.5 - 10	20 - 8	
IEC 60947-7-1				
IEC	UL/CUL	CSA	IEC/EN 60079-7	
400	300	-	-	
Nominal current / cross section	[A] / [mm ²]	41 / 6	50 / -	-
Rated cross section	[mm ²]	6	-	-
Cross section range	AWG	20 - 8	26-8	-
Connection capacity				
	solid	stranded	Ferrule Without / with plastic sleeve	
0.5 - 10	0.5 - 6	0.5 - 6	0.5 - 6	0.5 - 6
0.5 - 2.5	0.5 - 4	0.5 - 2.5	-	-
			0.5 - 2.5	0.5 - 4
General data				
Stripping length	[mm]	10		
Terminal point: thread / torque	- / [Nm]	M4 / 1.2 - 1.4		
Disconnect slide: thread / torque	- / [Nm]	M3 / 0.6 - 0.8		
Torque: test socket, fixed bridge, switch bar	[Nm]	0.6 - 0.8		
Insulating material		PA		
Inflammability class according to UL 94		V0		

Description	No. of pos.	Color
Test disconnect terminal block , for mounting on NS 35 ... and NS 32 ...		gray
Feed-through terminal block , for mounting on NS 32... or NS 35...		gray

Ordering data				
Type	I _{max}	Order No.	Pcs. / Pkt.	
URTK 6		3026272	50	
URDK 6		3026706	50	

Ordering data				
Type	I _{max}	Order No.	Pcs. / Pkt.	
UGSK 6		3026285	50	

Accessories			
Cover , width 2 mm		gray	
Switching jumper , complete			
	2	orange	
	3	orange	
	4	orange	
	10	orange	
for bridging between non-adjacent terminals	10	orange	
Fixed bridge , insulated			
	10	silver	
Switching lock , excludes the possibility of an unintentional operation of the disconnect slide		white	
Test socket , insulated		transparent	
		yellow	
		green	
		violet	
Short-circuit plug , for short circuiting neighboring terminal blocks, fully insulated, 2-pos.		black	
4-pos.		black	
Screwdriver , for the terminal point			
Screwdriver , for the test socket			

Accessories				
D-URTK 6		Order No.	Pcs. / Pkt.	
SB 2-8-T	41 A	3026366	10	
SB 3-8-T	41 A	3026492	10	
SB 4-8-T	41 A	3026379	10	
SB 10-8-T	41 A	3026382	10	
SB 10-8-T SO	41 A	3026395	10	
FBRI 10-8 N	45 A	2772080	10	
S-URTK/SP		0311155	50	
PSBJ-URTK 6 FARBLOS		3026450	10	
PSBJ-URTK 6 YE		3026405	10	
PSBJ-URTK 6 GN		3026418	10	
PSBJ-URTK 6 VT		3026421	10	
KSSI 2-8		3000722	10	
KSSI 4-8		3000735	10	
SZS 1,0X4,0 VDE		1205066	10	
SF-SL 0,6X3,5-100 S-VDE		1212587	10	

Accessories				
D-URTK 6		Order No.	Pcs. / Pkt.	
SB 2-8-T	41 A	3026366	10	
SB 3-8-T	41 A	3026492	10	
SB 4-8-T	41 A	3026379	10	
SB 10-8-T	41 A	3026382	10	
SB 10-8-T SO	41 A	3026395	10	
FBRI 10-8 N	45 A	2772080	10	
PSBJ-URTK 6 FARBLOS		3026450	10	
PSBJ-URTK 6 YE		3026405	10	
PSBJ-URTK 6 GN		3026418	10	
PSBJ-URTK 6 VT		3026421	10	
KSSI 4-8		3000735	10	
SZS 1,0X4,0 VDE		1205066	10	
SF-SL 0,6X3,5-100 S-VDE		1212587	10	

Lateral groove labeling

UC-TM 8, UCT-TM 8 or ZB 8 (see Catalog 5)

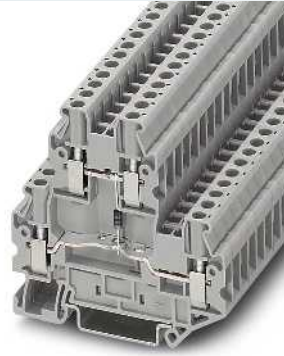
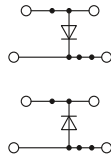
UC-TM 8, UCT-TM 8 or ZB 8 (see Catalog 5)

Modular terminal blocks - CLIPLINE complete

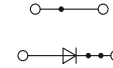
UT screw connection terminal blocks

Double-level diode terminal blocks UTT 2.5 ...-DIO

- Double-level diode and light indicator terminal blocks carry out a great variety of switching tasks
- Design width of 5.2 mm
- The following can be implemented in tight spaces: freewheeling diode circuits, lamp test circuits, reporting and fault reporting circuits



2.5 (4) mm², 28 A, double-level diode terminal block



2.5 (4) mm², 28 A, double-level diode terminal block

Notes:
 1) The max. current is determined by the diode. Integrated: diode 1N 4007, reverse voltage: 1300 V, maximum continuous current: 0.5 A
 2) The voltage is determined by the light indicator version selected.



Dimensions		[mm]
Max. electrical data		
Rated data		
Rated voltage	[V]	500
Nominal current / cross section	[A] / [mm ²]	24 ¹⁾ / 2.5
Rated cross section	[mm ²]	2.5
Cross section range	AWG	26 - 12
Connection capacity		
1 conductor	[mm ²]	0.14 - 4
Two conductors (of the same type)	[mm ²]	0.14 - 1.5
Two stranded conductors with a TWIN ferrule	[mm ²]	0.14 - 1.5
General data		
Stripping length	[mm]	9
Screw thread		M3
Tightening torque	[Nm]	0.5 - 0.6
Insulating material		PA
Inflammability class according to UL 94		V0

Technical data				
Width	Length	Height NS 35/7,5		
5.2	69.9	65		
I _{max} [A]	U _{max} [V]	max. Ø [mm ²]	AWG	
28 ¹⁾	500	0.14 - 4	26 - 12	
IEC	UL/CUL	CSA	IEC/EN 60079-7	
500	600	300	-	
24 ¹⁾ / 2.5	20 / -	1 / -	-	
2.5	-	-	-	
26 - 12	26-12	26-12	-	
solid		stranded		Ferrule
				Without / with plastic sleeve
0.14 - 4	0.14 - 4	0.14 - 2.5	0.14 - 2.5	
0.14 - 1.5	0.14 - 1.5	0.14 - 1.5	-	
				0.5 - 1.5

Technical data				
Width	Length	Height NS 35/7,5		
5.2	69.9	65		
I _{max} [A]	U _{max} [V]	max. Ø [mm ²]	AWG	
28 ¹⁾	500	0.14 - 4	26 - 12	
IEC	UL/CUL	CSA	IEC/EN 60079-7	
500	600	300	-	
24 ¹⁾ / 2.5	20 / -	1 / -	-	
2.5	-	-	-	
26 - 12	26-12	26-12	-	
solid		stranded		Ferrule
				Without / with plastic sleeve
0.14 - 4	0.14 - 4	0.14 - 2.5	0.14 - 2.5	
0.14 - 1.5	0.14 - 1.5	0.14 - 1.5	-	
				0.5 - 1.5

Description	No. of pos.	Color
Terminal block , with integrated diode, conducting from top to bottom		gray
Terminal block , with integrated diode, conducting from bottom to top		gray
Terminal block , with integrated diode, conducting from bottom left to bottom right		gray
Terminal block , with integrated diode, conducting from top to bottom left and from bottom right to bottom left		gray
Terminal block , with integrated diode, conducting from top to bottom left and from top to bottom right		gray
Terminal block , with LED		
for 12-30 V DC, 0.7-2.4 mA		gray
for 30-60 V DC, 0.8-1.8 mA		gray
for 110-250 V AC/DC, 0.1-0.5 mA		gray
Terminal block , for soldering in a component from top to bottom		gray

Ordering data			
Type	I _{max}	Order No.	Pcs. / Pkt.
UTT 2.5-DIO/O-U		3046650	50
UTT 2.5-DIO/U-O		3046663	50
UTT 2.5-DIO/UL-UR		3046728	50

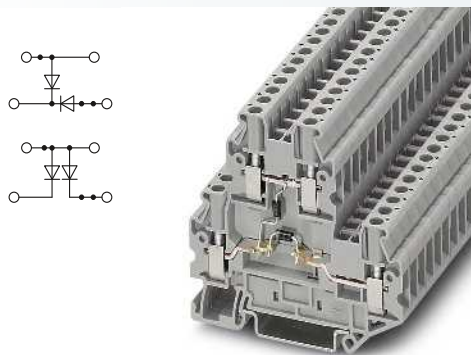
Ordering data			
Type	I _{max}	Order No.	Pcs. / Pkt.
UTT 2.5-DIO/O-U		3046650	50
UTT 2.5-DIO/U-O		3046663	50
UTT 2.5-DIO/UL-UR		3046728	50

Accessories	
Cover , width 2.2 mm	gray
Spacer plate , compensates for level offsets, width 2.5 mm	gray
Plug-in bridge	
	2 red
	3 red
	4 red
	5 red
	10 red
	20 red
Partition plate , 2.2 mm wide	gray
Screwdriver	
Lateral groove labeling	

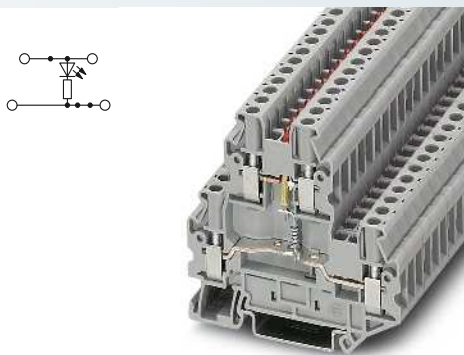
Accessories			
Type	I _{max}	Order No.	Pcs. / Pkt.
D-UTT 2,5/4		3047293	50
DP-UTT 2,5/4		3047303	50
FBS 2-5	24 A	3030161	50
FBS 3-5	24 A	3030174	50
FBS 4-5	24 A	3030187	50
FBS 5-5	24 A	3030190	50
FBS 10-5	24 A	3030213	10
FBS 20-5	24 A	3030226	10
ATP-UTT 2,5/4		3047316	50
SF-SL 0,6X3,5-100 S-VDE		1212587	10
UC-TM 5, UCT-TM 5 or ZB 5 (see Catalog 5)			

Accessories			
Type	I _{max}	Order No.	Pcs. / Pkt.
D-UTT 2,5/4		3047293	50
DP-UTT 2,5/4		3047303	50
FBS 2-5	24 A	3030161	50
FBS 3-5	24 A	3030174	50
FBS 4-5	24 A	3030187	50
FBS 5-5	24 A	3030190	50
FBS 10-5	24 A	3030213	10
FBS 20-5	24 A	3030226	10
ATP-UTT 2,5/4		3047316	50
SF-SL 0,6X3,5-100 S-VDE		1212587	10
UC-TM 5, UCT-TM 5 or ZB 5 (see Catalog 5)			

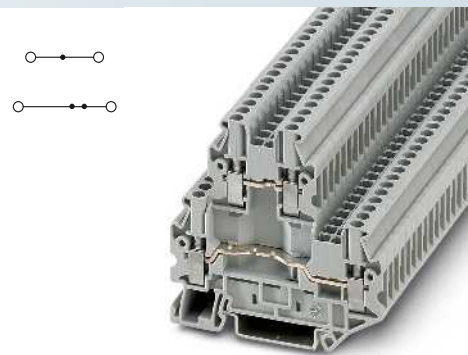
UT screw connection terminal blocks



2.5 (4) mm², 28 A, double-level diode terminal block



2.5 (4) mm², 28 A, double-level terminal block with LED



2.5 (4) mm², 28 A, double-level terminal block for soldering in components



Technical data			
Width	Length	Height NS 35/7,5	
5.2	69.9	65	
I_{max} [A]	U_{max} [V]	max. Ø [mm ²]	AWG
28 ¹⁾	500	0.14 - 4	26 - 12
IEC	UL/CUL	CSA	IEC/EN 60079-7
500	600	300	-
24 ¹⁾ / 2.5	20 / -	1 / -	-
2.5	-	-	-
26 - 12	26-12	26-12	-
solid	stranded	Ferrule	
Without / with plastic sleeve			
0.14 - 4	0.14 - 4	0.14 - 2.5	0.14 - 2.5
0.14 - 1.5	0.14 - 1.5	0.14 - 1.5	-
0.5 - 1.5			
9	M3	0.5 - 0.6	PA
V0			

Technical data			
Width	Length	Height NS 35/7,5	
5.2	69.9	65	
I_{max} [A]	U_{max} [V]	max. Ø [mm ²]	AWG
28	24 ²⁾	0.14 - 4	26 - 12
IEC	UL/CUL	CSA	IEC/EN 60079-7
24 ²⁾	600	24	-
24 / 2.5	20 / -	20 / -	-
2.5	-	-	-
26 - 12	26-12	26-12	-
solid	stranded	Ferrule	
Without / with plastic sleeve			
0.14 - 4	0.14 - 4	0.14 - 2.5	0.14 - 2.5
0.14 - 1.5	0.14 - 1.5	0.14 - 1.5	-
0.5 - 1.5			
9	M3	0.5 - 0.6	PA
V0			

Technical data			
Width	Length	Height NS 35/7,5	
5.2	69.9	65	
I_{max} [A]	U_{max} [V]	max. Ø [mm ²]	AWG
28	500	0.14 - 4	26 - 12
IEC	UL/CUL	CSA	IEC/EN 60079-7
500	600	600	-
24 / 2.5	20 / -	20 / -	-
2.5	-	-	-
26 - 12	26-12	26-12	-
solid	stranded	Ferrule	
Without / with plastic sleeve			
0.14 - 4	0.14 - 4	0.14 - 2.5	0.14 - 2.5
0.14 - 1.5	0.14 - 1.5	0.14 - 1.5	-
0.5 - 1.5			
9	M3	0.5 - 0.6	PA
V0			

Ordering data			
Type	I_{max}	Order No.	Pcs. / Pkt.
UTTB 2,5-2DIO/O-UL/UR-UL		3046676	50
UTTB 2,5-2DIO/O-UL/O-UR		3046689	50

Ordering data			
Type	I_{max}	Order No.	Pcs. / Pkt.
UTTB 2,5-LA 24 RD		3046692	50
UTTB 2,5-LA 60 RD		3046702	50
UTTB 2,5-LA 230		3046715	50

Ordering data			
Type	I_{max}	Order No.	Pcs. / Pkt.
UTTB 2,5-BE		3046744	50

Accessories			
D-UTTB 2,5/4		3047293	50
DP-UTTB 2,5/4		3047303	50
FBS 2-5	24 A	3030161	50
FBS 3-5	24 A	3030174	50
FBS 4-5	24 A	3030187	50
FBS 5-5	24 A	3030190	50
FBS 10-5	24 A	3030213	10
FBS 20-5	24 A	3030226	10
ATP-UTTB 2,5/4		3047316	50
SF-SL 0,6X3,5-100 S-VDE		1212587	10

Accessories			
D-UTTB 2,5/4		3047293	50
DP-UTTB 2,5/4		3047303	50
FBS 2-5	24 A	3030161	50
FBS 3-5	24 A	3030174	50
FBS 4-5	24 A	3030187	50
FBS 5-5	24 A	3030190	50
FBS 10-5	24 A	3030213	10
FBS 20-5	24 A	3030226	10
ATP-UTTB 2,5/4		3047316	50
SF-SL 0,6X3,5-100 S-VDE		1212587	10

Accessories			
D-UTTB 2,5/4		3047293	50
DP-UTTB 2,5/4		3047303	50
FBS 2-5		3030161	50
FBS 3-5		3030174	50
FBS 4-5		3030187	50
FBS 5-5		3030190	50
FBS 10-5		3030213	10
FBS 20-5		3030226	10
ATP-UTTB 2,5/4		3047316	50
SF-SL 0,6X3,5-100 S-VDE		1212587	10

UC-TM 5, UCT-TM 5 or ZB 5 (see Catalog 5)

UC-TM 5, UCT-TM 5 or ZB 5 (see Catalog 5)

UC-TM 5, UCT-TM 5 or ZB 5 (see Catalog 5)

UT screw connection terminal blocks

MUT ... mini feed-through and ground terminal blocks, for mounting on NS 15

- Save space and can be used in smaller control boxes
- Ideal for connecting smaller motors and wiring in the lower power spectrum
- Simple bridging and potential distribution using the patented plug-in bridges of the CLIPLINE complete system
- Ground terminal block of the same shape makes contact when simply snapped on and meets the high requirements of IEC 60947-7-2

Notes:
For current carrying capacity of DIN rails, see page 716.



2.5 (4) mm², 32 A, mini feed-through terminal block

Dimensions		[mm]
Max. electrical data		
Rated data		
Rated voltage	[V]	500
Nominal current / cross section	[A] / [mm ²]	24 / 2.5
Rated cross section	[mm ²]	2.5
Cross section range	AWG	24 - 12
Connection capacity		
1 conductor	[mm ²]	0.2 - 4
Two conductors (of the same type)	[mm ²]	0.2 - 1.5
Two stranded conductors with a TWIN ferrule	[mm ²]	0.2 - 1.5
General data		
Stripping length	[mm]	9
Screw thread		M3
Tightening torque	[Nm]	0.5 - 0.6
Insulating material		PA
Inflammability class according to UL 94		V0

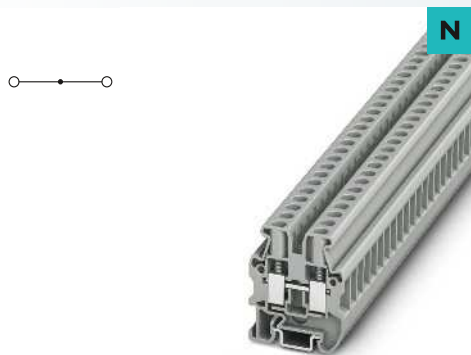
Technical data				
Width	Length	Height NS 15		
5.2	29.9	34		
I _{max} [A]	U _{max} [V]	max. Ø [mm ²]	AWG	
32	500	0.2 - 4	24 - 12	
IEC 60947-7-1				
IEC	UL/CUL	CSA	IEC/EN 60079-7	
Connection capacity				
		solid	stranded	Ferrule
		Without / with plastic sleeve		
0.2 - 4	0.2 - 4	0.25 - 2.5	0.25 - 2.5	
0.2 - 1.5	0.2 - 1.5	0.25 - 1.5	-	
		0.5 - 1.5		

Description	No. of pos.	Color
Terminal block , for mounting on NS 15		gray blue
Ground terminal block , for mounting on NS 15		green-yellow

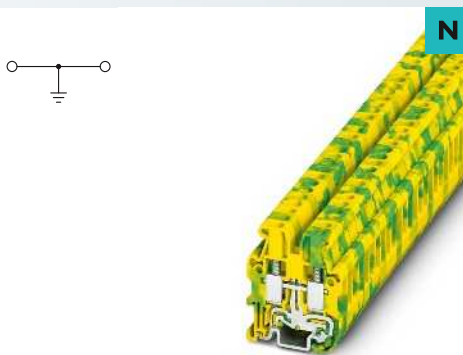
Ordering data			
Type	I _{max}	Order No.	Pcs. / Pkt.
MUT 2,5		3248030	50
MUT 2,5 BU		3248031	50

Cover , width 2.2 mm		gray
Plug-in bridge		
	2	red
	3	red
	4	red
	5	red
	10	red
	20	red
Test adapter , 4-mm test socket hole		gray
Test plug metal part , 2.3 mm Ø		
Insulating sleeve , for MPS metal part		red
Modular test plug , for the individual assembly of test plug strips		red
Warning label , for UT series		yellow
Screwdriver		
Lateral groove labeling		

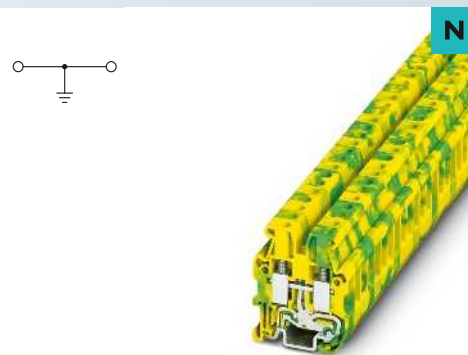
Accessories			
Type	I _{max}	Order No.	Pcs. / Pkt.
D-MUT 2,5/4		3248033	50
FBS 2-5	24 A	3030161	50
FBS 3-5	24 A	3030174	50
FBS 4-5	24 A	3030187	50
FBS 5-5	24 A	3030190	50
FBS 10-5	24 A	3030213	10
FBS 20-5	24 A	3030226	10
PAI-4-N GY		3032871	10
PS-5		3030983	10
WS UT 2,5		3047923	10
SF-SL 0,6X3,5-100 S-VDE		1212587	10
UC-TM 5, UCT-TM 5 or ZB 5 (see Catalog 5)			



4 (6) mm², 41 A, mini feed-through terminal block



2.5 (4) mm², mini ground terminal block



4 (6) mm², mini ground terminal block

Technical data			
Width	Length	Height NS 15	
6.2	29.9	34	
I _{max} [A]	U _{max} [V]	max. Ø [mm ²]	AWG
41	500	0.2 - 6	24 - 10
IEC 60947-7-1			
IEC	UL/CUL	CSA	IEC/EN 60079-7
500	-	-	-
32 / 4	- / -	-	-
4	-	-	-
24 - 10	-	-	-
solid	stranded	Ferrule	
		Without / with plastic sleeve	
0.2 - 6	0.2 - 6	0.25 - 4	0.25 - 4
0.2 - 1.5	0.2 - 1.5	0.25 - 1.5	-
			0.5 - 2.5
9	M3	0.6 - 0.8	PA
			V0

Technical data			
Width	Length	Height NS 15	
5.2	29.9	34	
I _{max} [A]	U _{max} [V]	max. Ø [mm ²]	AWG
-	-	0.2 - 4	24 - 12
IEC 60947-7-2			
IEC	UL/CUL	CSA	IEC/EN 60079-7
-	-	-	-
-	- / -	-	-
2.5	-	-	-
24 - 12	-	-	-
solid	stranded	Ferrule	
		Without / with plastic sleeve	
0.2 - 4	0.2 - 4	0.25 - 2.5	0.25 - 2.5
0.2 - 1.5	0.2 - 1.5	0.25 - 1.5	-
			0.5 - 1.5
9	M3	0.5 - 0.6	PA
			V0

Technical data			
Width	Length	Height NS 15	
6.2	29.9	34	
I _{max} [A]	U _{max} [V]	max. Ø [mm ²]	AWG
-	-	0.2 - 6	24 - 10
IEC 60947-7-2			
IEC	UL/CUL	CSA	IEC/EN 60079-7
-	-	-	-
-	- / -	-	-
4	-	-	-
24 - 10	-	-	-
solid	stranded	Ferrule	
		Without / with plastic sleeve	
0.2 - 6	0.2 - 6	0.25 - 4	0.25 - 4
0.2 - 1.5	0.2 - 1.5	0.25 - 1.5	-
			0.5 - 2.5
9	M3	0.6 - 0.8	PA
			V0

Ordering data			
Type	I _{max}	Order No.	Pcs. / Pkt.
MUT 4		3248035	50
MUT 4 BU		3248036	50

Ordering data			
Type	I _{max}	Order No.	Pcs. / Pkt.
MUT 2,5-PE		3248032	50

Ordering data			
Type	I _{max}	Order No.	Pcs. / Pkt.
MUT 4-PE		3248037	50

Accessories			
D-MUT 2,5/4		3248033	50
FBS 2-6	32 A	3030336	50
FBS 3-6	32 A	3030242	50
FBS 4-6	32 A	3030255	50
FBS 5-6	32 A	3030349	50
FBS 10-6	32 A	3030271	10
FBS 20-6	32 A	3030365	10
PAI-4-N GY		3032871	10
MPS-MT		0201744	10
MPS-IH RD		0201676	10
PS-6		3030996	10
WS UT 4		3047332	10
SF-SL 0,6X3,5-100 S-VDE		1212587	10

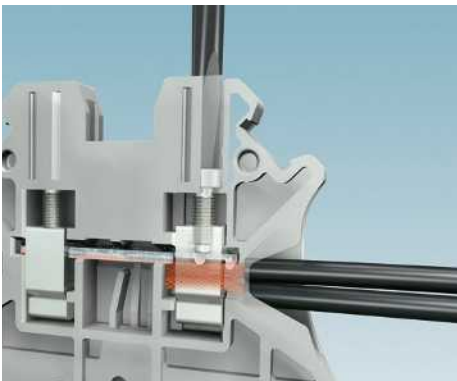
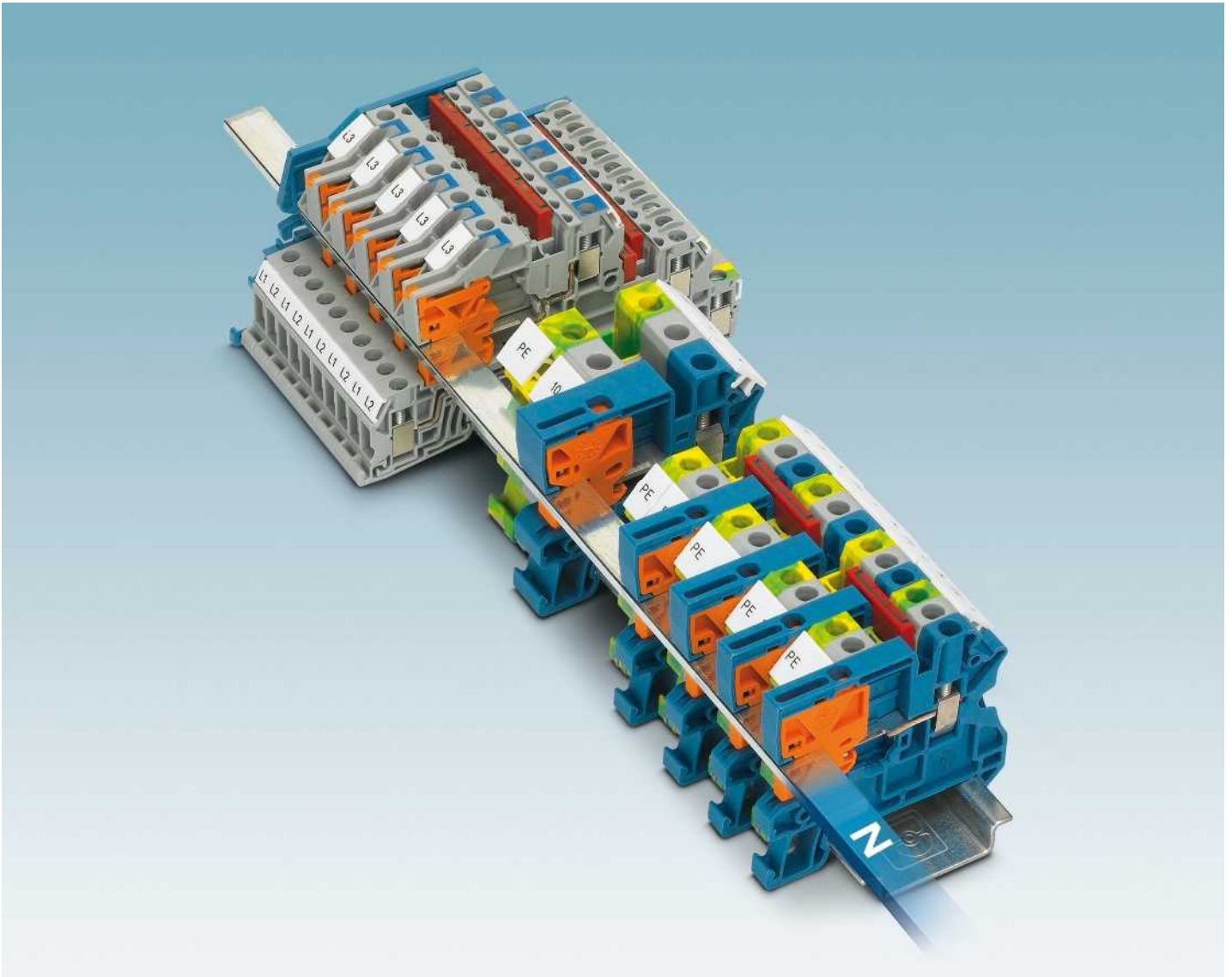
Accessories			
D-MUT 2,5/4		3248033	50
WS UT 2,5		3047923	10
SF-SL 0,6X3,5-100 S-VDE		1212587	10

Accessories			
D-MUT 2,5/4		3248033	50
WS UT 4		3047332	10
SF-SL 0,6X3,5-100 S-VDE		1212587	10

UC-TM 6, UCT-TM 6 or ZB 6 (see Catalog 5)

UC-TM 5, UCT-TM 5 or ZB 5 (see Catalog 5)

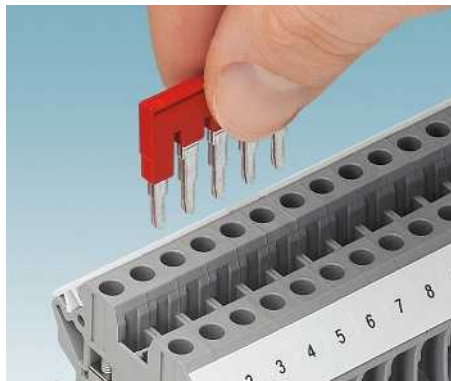
UC-TM 6, UCT-TM 6 or ZB 6 (see Catalog 5)



Universal and zero-maintenance

The screw connection is characterized by three main features.

- Global standard
- Multiple conductor connection
- Zero maintenance thanks to Reakdyn principle



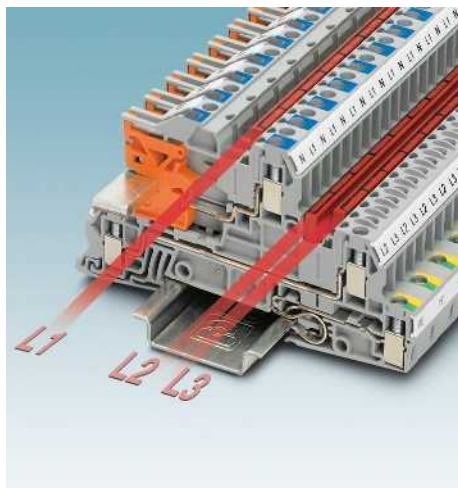
Flexible plug-in bridge system

The potential distribution can be implemented at speed with the standardized plug-in bridges. Using two bridge shafts in all terminal blocks makes flexible chain, level or jumping bridges possible.



Installation accessories

There is an extensive range of accessories for potential distribution and supply. The AKG connection terminal blocks meet the requirements of standard DIN VDE 0100 or VDE 0113-1 in terms of color labeling and the ability to label each terminal block.



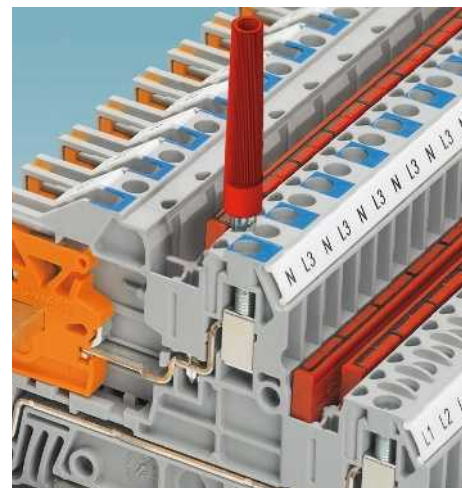
Double function shaft

Two function shafts are provided per level to allow fast and individual potential distribution. Cross connections can be reproduced any number of times with the standard bridges from the CLIPLINE complete system, e.g. three-phase systems with L1/L2/L3 potentials within a terminal strip.



Fast and safe neutral conductor disconnect

All screw connection neutral conductor disconnect terminal blocks are fitted with a robust, screwless disconnect slide. When this is levered over with a standard screwdriver, the contact fork slides onto the busbar. Engaging the slide in the end positions provides additional protection against accidental actuation. The disconnect slide is clearly visible in the respective location.



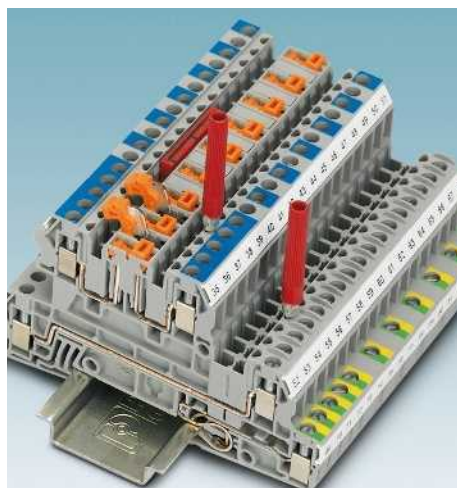
Testing facility on each terminal point

The CLIPLINE complete system features an extensive range of test accessories. All test plugs and adapters make contact in the function shaft. Furthermore, each terminal point has a 2.3 mm test contact. All measurement and test work can therefore be undertaken with ease and at speed with function shafts fitted with bridges.



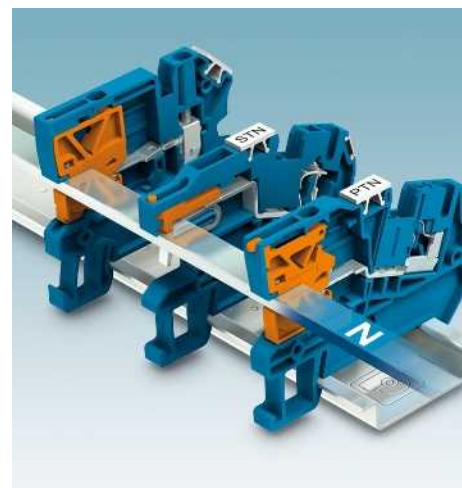
Easy to install

The screw connection installation terminal blocks can be easily switched from the group, even once fitted, without the neutral busbar having to be removed.



Safe individual circuit disconnection

The terminal block versions with disconnect knife for individual circuit disconnection meet the safety requirements of DIN VDE 0100-718.



Any combination

All installation terminal blocks with the various PTI push-in connection, STI spring-cage connection, and PIK screw connection technologies from Phoenix Contact can be combined in any way. The neutral busbar is on one level in all installation terminal blocks.

UTI screw connection installation terminal blocks

UTI ... installation and PE terminal blocks



- UTI 16... and UTI 35... installation terminal blocks feature a particularly low-profile design and are suitable for wiring in flat installation distributors
- The asymmetric arrangement of the terminal blocks on the DIN rail allows the PEN conductor busbar to be routed to the terminal blocks
- **The standard UT 2,5 to UT 10 feed-through terminal blocks can be used in combination with the neutral busbar**

AGK 4-UT... pick-off terminal blocks

- The fully insulated pick-off terminal block (optional use) permits a voltage pick-off up to a nominal voltage of 400 V
- Large area for labeling

Notes:
For current carrying capacity of DIN rails, see page 716.



16 (25) mm², 76 A, feed-through terminal block



Dimensions	
	[mm]
Max. electrical data	
Rated data	
Rated voltage	[V]
Nominal current / cross section	[A] / [mm ²]
Rated cross section	[mm ²]
Cross section range	AWG
Connection capacity	
1 conductor	[mm ²]
Two conductors (of the same type)	[mm ²]
Two stranded conductors with a TWIN ferrule	[mm ²]
General data	
Stripping length	[mm]
Screw thread	
Tightening torque	[Nm]
Insulating material	
Inflammability class according to UL 94	

Technical data				
Width	Length	Height NS 35/7,5		
12.2	51	50.5		
I _{max} [A]	U _{max} [V]	max. Ø [mm ²]	AWG	
76	400	6 - 25	10 - 4	
IEC 60947-7-1				
IEC	UL/CUL	CSA	IEC/EN 60079-7	
Rated voltage				
400	-	-	-	
Nominal current / cross section				
76 / 16	- / -	-	-	
Rated cross section				
16	-	-	-	
Cross section range				
10 - 4	-	-	-	
Connection capacity		Ferrule		
solid	stranded	Without / with plastic sleeve		
6 - 25	6 - 16	6 - 16	6 - 16	
2.5 - 10	2.5 - 6	4 - 6	-	
			4 - 6	
Stripping length				
12				
Screw thread				
M5				
Tightening torque				
2.5 - 3				
Insulating material				
PA				
Inflammability class according to UL 94				
V2				

Description	No. of pos.	Color
Terminal block, for mounting on NS 35...		gray blue
Ground terminal block, for mounting on NS 35...		green-yellow

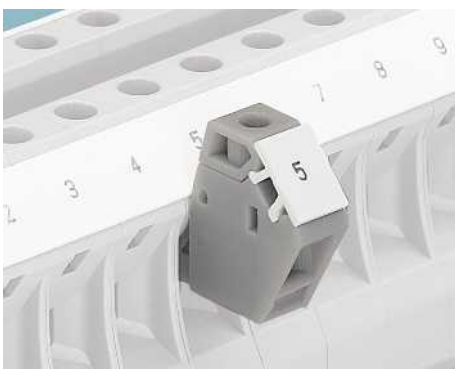
Description	No. of pos.	Color
Pick-off terminal block, for snapping into the lateral guide		gray
Fixed bridge, insulated		
	2	silver
	3	silver
	10	silver

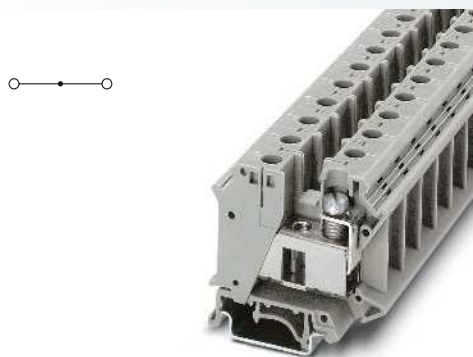
Screwdriver	
Lateral groove labeling	

Ordering data		
Type	Order No.	Pcs. / Pkt.
UTI 16	3073827	50
UTI 16 BU	3075728	50

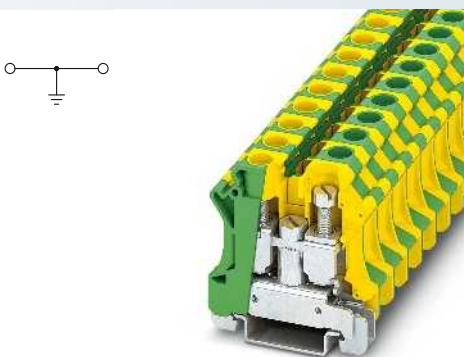
Accessories		
Type	Order No.	Pcs. / Pkt.
AGK 4-UT 16	3047125	50
FBI 10-12	0203454	10
SZS 1,0X6,5 VDE	1205079	10

Lateral groove labeling	
UC-TM 12, UCT-TM 12 or ZB 12 (see Catalog 5)	

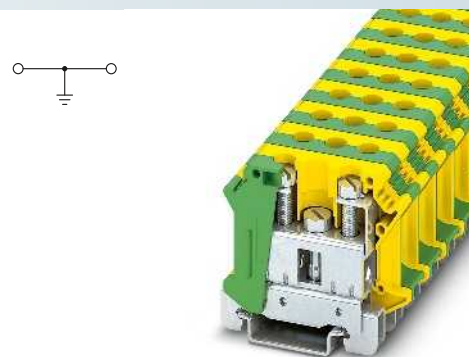




35 (35) mm², 125 A, feed-through terminal block



16 (25) mm², 76 A, ground terminal block



35 (35) mm², 125 A, ground terminal block



Technical data			
Width	Length	Height NS 35/7,5	
15.2	55	51	
I_{max} [A]	U_{max} [V]	max. Ø [mm ²]	AWG
125	800	0.75 - 35	18 - 2
IEC 60947-7-1			
IEC	UL/CUL	CSA	IEC/EN 60079-7
800	-	-	-
125 / 35	- / -	-	-
35	-	-	-
18 - 2	-	-	-
solid	stranded	Ferrule Without / with plastic sleeve	
0.75 - 35	0.75 - 35	0.75 - 35	0.75 - 35
0.75 - 10	0.75 - 10	0.75 - 10	-
			0.75 - 6
16	M6	3.2 - 3.7	PA
			V2

Technical data			
Width	Length	Height NS 35/7,5	
12.2	51	50.5	
I_{max} [A]		max. Ø [mm ²]	AWG
76		6 - 25	10 - 4
IEC 60947-7-2			
IEC	UL/CUL	CSA	IEC/EN 60079-7
-	-	-	-
76 / 16	- / -	-	-
16	-	-	-
10 - 4	-	-	-
solid	stranded	Ferrule Without / with plastic sleeve	
6 - 25	6 - 16	6 - 16	6 - 16
2.5 - 10	2.5 - 6	4 - 6	-
			4 - 6
12	M5	2.5 - 3	PA
			V2

Technical data			
Width	Length	Height NS 35/7,5	
15	55	51	
I_{max} [A]		max. Ø [mm ²]	AWG
125		0.75 - 35	18 - 2
IEC 60947-7-2			
IEC	UL/CUL	CSA	IEC/EN 60079-7
-	-	-	-
125 / 35	- / -	-	-
35	-	-	-
18 - 2	-	-	-
solid	stranded	Ferrule Without / with plastic sleeve	
0.75 - 35	0.75 - 35	0.75 - 35	0.75 - 35
0.75 - 16	0.75 - 10	0.75 - 10	-
			0.75 - 6
16	M6	3.2 - 3.7	PA
			V2

Ordering data		
Type	Order No.	Pcs. / Pkt.
UTI 35	3074088	50
UTI 35 BU	3075731	50

Ordering data		
Type	Order No.	Pcs. / Pkt.
UTI 16-PE	3073830	50

Ordering data		
Type	Order No.	Pcs. / Pkt.
UTI 35-PE	3074091	50

Accessories		
FBI 2-15	0201333	10
FBI 3-15	0201278	10
SZS 1,0X6,5 VDE	1205079	10

Accessories		
SZS 1,0X6,5 VDE	1205079	10

Accessories		
SZS 1,0X6,5 VDE	1205079	10

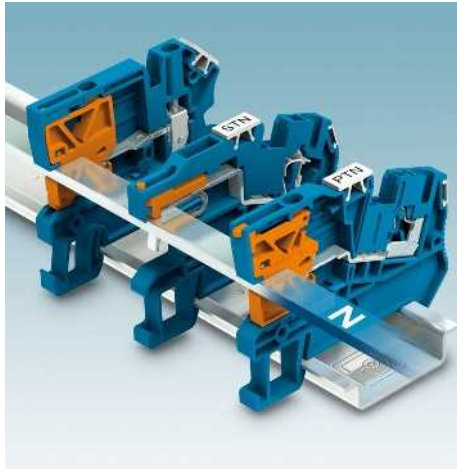
UC-TM 12, UCT-TM 12 or ZB 15
(see Catalog 5)

UC-TM 12, UCT-TM 12 or ZB 12
(see Catalog 5)

UC-TM 12, UCT-TM 12 or ZB 15
(see Catalog 5)

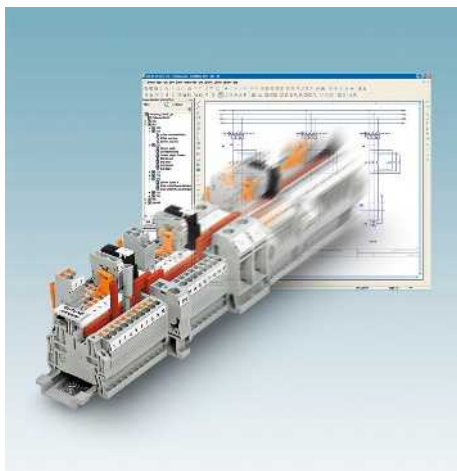
UTI screw connection installation terminal blocks

UTN ... installation neutral conductor disconnect terminal blocks

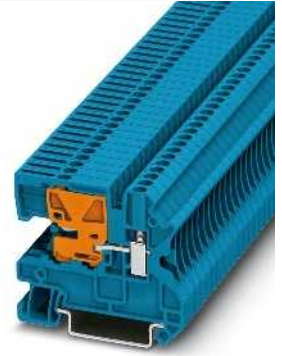


- All UTN 2,5 - UTN 16 neutral conductor disconnect terminal blocks have a screwless disconnect slide
- When this is levered over with a standard screwdriver, the contact fork slides onto the busbar
- Engaging the slide in the end positions provides additional protection against accidental contacting
- **The standard UT 2,5 to UT 10 feed-through terminal blocks can be used in combination with the neutral busbar**

CLIP PROJECT Planning enables the quick and convenient planning and configuration of fault-free terminal strips.



Notes:
Assembly instructions: For secure fastening of the neutral busbar, supports must be set at the beginning and end of each terminal strip as well as every 20 cm on longer terminal strips.
For L/N/PE AKG ... connection terminal blocks, see page 94.



2.5 (4) mm², 24 A, neutral disconnect terminal block



Dimensions		[mm]
Max. electrical data		
Rated data		
Rated voltage	[V]	250
Nominal current / cross section	[A] / [mm ²]	24 / 2.5
Rated cross section	[mm ²]	2.5
Cross section range	AWG	26 - 12
Connection capacity		
1 conductor	[mm ²]	0.14 - 4
Two conductors (of the same type)	[mm ²]	0.14 - 1.5
Two stranded conductors with a TWIN ferrule	[mm ²]	0.14 - 1.5
General data		
Stripping length	[mm]	9
Screw thread		M 3
Tightening torque	[Nm]	0.5 - 0.6
Insulating material		PA
Inflammability class according to UL 94		V0

Technical data			
Width	Length	Height NS 35/7,5	
5.2	55	47.5	
I _{max} [A]	U _{max} [V]	max. Ø [mm ²]	AWG
24	250	0.14 - 4	26 - 12
IEC 60947-7-1			
IEC	UL/CUL	CSA	IEC/EN 60079-7
250	-	-	-
24 / 2.5	- / -	-	-
2.5	-	-	-
26 - 12	-	-	-
Connection capacity		Ferrule	
solid	stranded	Without / with plastic sleeve	
0.14 - 4	0.14 - 4	0.14 - 2.5	0.14 - 2.5
0.14 - 1.5	0.14 - 1.5	0.14 - 1.5	-
			0.5 - 1.5

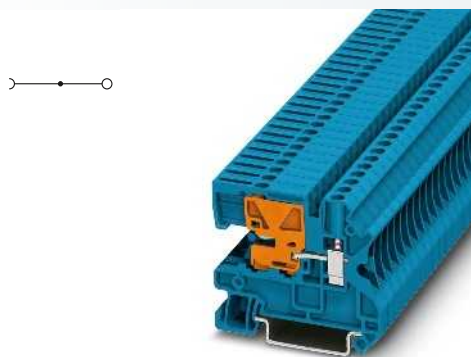
Description	No. of pos.	Color
Neutral disconnect terminal block, for mounting on NS 35...		blue

Ordering data			
Type	I _{max}	Order No.	Pcs. / Pkt.
UTN 2,5		3245011	50

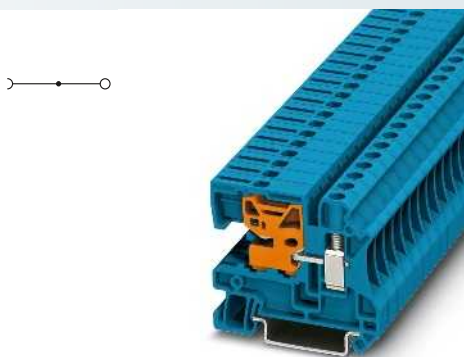
Cover, width 2.2 mm		blue
Support, to hold the neutral busbar, set every 20 cm, 2 mm wide		blue
Plug-in bridge		
	2	red
	3	red
	4	red
	5	red
	10	red
	20	red
Partition plate, 2 mm width		gray
PEN conductor busbar, 3 x 10 mm, 1 m long, material: copper, tin-plated, nominal current: 140 A		silver
Test adapter, 4-mm test socket hole		gray
Test plug metal part, 2.3 mm Ø		
Insulating sleeve, for MPS metal part		red
Modular test plug, for the individual assembly of test plug strips		red

Accessories			
Type	I _{max}	Order No.	Pcs. / Pkt.
D-UTN 2,5/10		3245079	50
AB-UTN 2,5/10		3245082	50
FBS 2-5	24 A	3030161	50
FBS 3-5	24 A	3030174	50
FBS 4-5	24 A	3030187	50
FBS 5-5	24 A	3030190	50
FBS 10-5	24 A	3030213	10
FBS 20-5	24 A	3030226	10
ATP-UT		3047167	50
NLS-CU 3/10 SN 1000MM	140 A	0402174	10
PAI-4-N GY		3032871	10
MPS-MT		0201744	10
MPS-IH RD		0201676	10
PS-5		3030983	10

Screwdriver	SF-SL 0,6X3,5-100 S-VDE	1212587	10
Lateral groove labeling	UC-TM 5, UCT-TM 5 or ZB 5 (see Catalog 5)		



4 (6) mm², 32 A, neutral disconnect terminal block



6 (10) mm², 41 A, neutral disconnect terminal block



Technical data			
Width	Length	Height NS 35/7,5	
6.2	55	47.5	
I _{max} [A]	U _{max} [V]	max. Ø [mm ²]	AWG
32	250	0.14 - 6	26 - 10
IEC 60947-7-1			
IEC	UL/CUL	CSA	IEC/EN 60079-7
250	-	-	-
32 / 4	- / -	-	-
4	-	-	-
26 - 10	-	-	-
solid	stranded	Ferrule	
		Without / with plastic sleeve	
0.14 - 6	0.14 - 6	0.25 - 4	0.25 - 4
0.14 - 1.5	0.14 - 1.5	0.14 - 1.5	-
			0.5 - 2.5
9			
M 3			
0.6 - 0.8			
PA			
V0			

Technical data			
Width	Length	Height NS 35/7,5	
8.2	55	47.5	
I _{max} [A]	U _{max} [V]	max. Ø [mm ²]	AWG
41	400	0.2 - 10	24 - 8
IEC 60947-7-1			
IEC	UL/CUL	CSA	IEC/EN 60079-7
400	-	-	-
41 / 6	- / -	-	-
6	-	-	-
24 - 8	-	-	-
solid	stranded	Ferrule	
		Without / with plastic sleeve	
0.2 - 10	0.2 - 10	0.25 - 6	0.25 - 6
0.2 - 2.5	0.2 - 2.5	0.25 - 1.5	-
			0.5 - 4
10			
M 4			
1.5 - 1.8			
PA			
V0			

Ordering data			
Type	I _{max}	Order No.	Pcs. / Pkt.
UTN 4		3245024	50

Ordering data			
Type	I _{max}	Order No.	Pcs. / Pkt.
UTN 6		3245037	50

Accessories			
D-UTN 2,5/10		3245079	50
AB-UTN 2,5/10		3245082	50
FBS 2-6	32 A	3030336	50
FBS 3-6	32 A	3030242	50
FBS 4-6	32 A	3030255	50
FBS 5-6	32 A	3030349	50
FBS 10-6	32 A	3030271	10
FBS 20-6	32 A	3030365	10
ATP-UT		3047167	50
NLS-CU 3/10 SN 1000MM	140 A	0402174	10
PAI-4-N GY		3032871	10
MPS-MT		0201744	10
MPS-IH RD		0201676	10
PS-6		3030996	10
SF-SL 0,6X3,5-100 S-VDE		1212587	10

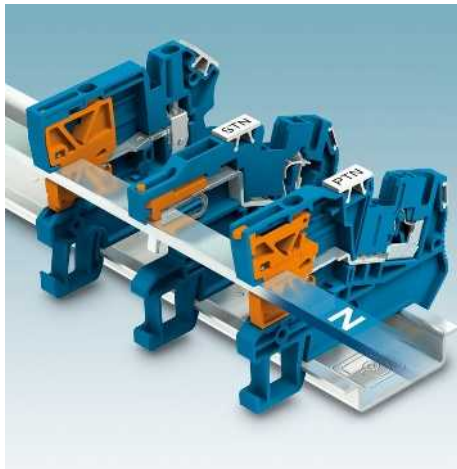
Accessories			
D-UTN 2,5/10		3245079	50
AB-UTN 2,5/10		3245082	50
FBS 2-8	41 A	3030284	10
FBS 3-8	41 A	3030297	10
FBS 4-8	41 A	3030307	10
FBS 5-8	41 A	3030310	10
FBS 10-8	41 A	3030323	10
ATP-UT		3047167	50
NLS-CU 3/10 SN 1000MM	140 A	0402174	10
PAI-4-N GY		3032871	10
PS-8		3031005	10
SZS 1,0X4,0 VDE		1205066	10

UC-TM 6, UCT-TM 6 or ZB 6 (see Catalog 5)

UC-TM 8, UCT-TM 8 or ZB 8 (see Catalog 5)

UTI screw connection installation terminal blocks

UTN ... installation neutral conductor disconnect terminal blocks



- All UTN 2,5 - UTN 16 neutral conductor disconnect terminal blocks have a screwless disconnect slide
- When this is levered over with a standard screwdriver, the contact fork slides onto the busbar
- Engaging the slide in the end positions provides additional protection against accidental contacting
- Same shape as UT standard terminal blocks

AGK 4-UT... pick-off terminal blocks

- The fully insulated pick-off terminal block (optional use) permits a voltage pick-off up to a nominal voltage of 400 V (4 mm²)
- Large area for labeling

Notes:

Assembly instructions:

For secure fastening of the neutral busbar, supports must be set at the beginning and end of each terminal strip as well as every 20 cm on longer terminal strips.

For L/N/PE AKG ... connection terminal blocks, see page 94.



10 (16) mm², 57 A, neutral disconnect terminal block



Dimensions		[mm]	
Max. electrical data			
Rated data			
Rated voltage	[V]	400	
Nominal current / cross section	[A] / [mm ²]	57 / 10	
Rated cross section	[mm ²]	10	
Cross section range	AWG	20 - 6	
Connection capacity			
1 conductor	[mm ²]	0.5 - 16	
Two conductors (of the same type)	[mm ²]	0.5 - 4	
Two stranded conductors with a TWIN ferrule	[mm ²]	0.5 - 4	
General data			
Stripping length	[mm]	10	
Screw thread		M 4	
Disconnect slide: thread / torque	- / [Nm]	- / -	
Tightening torque	[Nm]	1.5 - 1.8	
Insulating material		PA	
Inflammability class according to UL 94		V0	

Technical data				
Width	Length	Height NS 35/7,5		
10.2	55	47.5		
I _{max} [A]	U _{max} [V]	max. Ø [mm ²]	AWG	
57	400	0.5 - 16	20 - 6	
IEC 60947-7-1				
IEC	UL/CUL	CSA	IEC/EN 60079-7	
Rated voltage	[V]			
400	-	-		
Nominal current / cross section	[A] / [mm ²]			
57 / 10	- / -			
Rated cross section	[mm ²]			
10	-			
Cross section range	AWG			
20 - 6	-			
Connection capacity		solid	stranded	Ferrule
		Without / with plastic sleeve		
1 conductor	[mm ²]	0.5 - 16	0.5 - 16	0.5 - 10 / 0.5 - 10
Two conductors (of the same type)	[mm ²]	0.5 - 4	0.5 - 4	0.5 - 2.5 / -
Two stranded conductors with a TWIN ferrule	[mm ²]	0.5 - 4	0.5 - 4	0.5 - 2.5 / 0.5 - 6

Description	No. of pos.	Color
Neutral disconnect terminal block, for mounting on NS 35...		blue

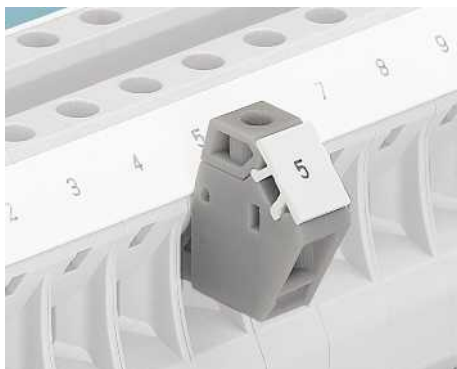
Ordering data			
Type	I _{max}	Order No.	Pcs. / Pkt.
UTN 10		3245040	50

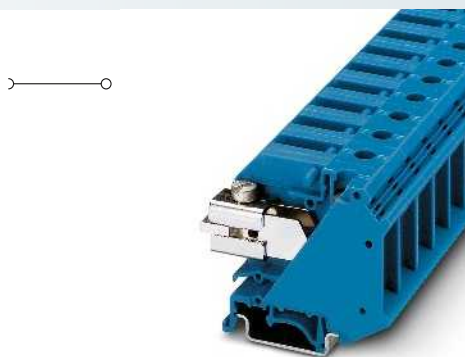
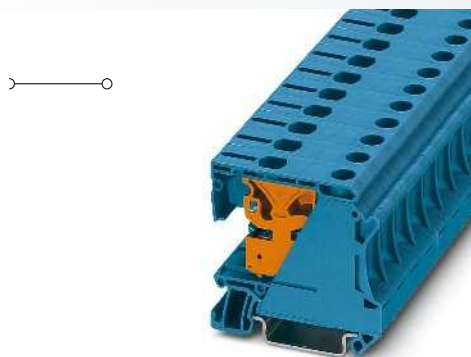
Pick-off terminal block, for snapping into the lateral guide	gray
Cover, width 2.2 mm	blue
Support, to hold the neutral busbar, set every 20 cm, 2 mm wide	blue
Plug-in bridge	
	2 red
Partition plate, 2 mm width	gray
PEN conductor busbar, 3 x 10 mm, 1 m long, material: copper, tin-plated, nominal current: 140 A	silver

Accessories			
AGK 4-UT 10		3047112	50
D-UTN 2,5/10		3245079	50
AB-UTN 2,5/10		3245082	50
FBS 2-10	57 A	3005947	10
ATP-UT		3047167	50
NLS-CU 3/10 SN 1000MM	140 A	0402174	10

Screwdriver
UniCard sheet for labeling the lateral groove

SZS 1,0X4,0 VDE	1205066	10
UC-TM 10, UCT-TM 10 or ZB 10 (see Catalog 5)		





16 (25) mm², 76 A, neutral disconnect terminal block

35 (35) mm², 110 A, neutral disconnect terminal block



Technical data			
Width	Length	Height NS 35/7,5	
12.2	55	50.5	
I_{max} [A]	U_{max} [V]	max. Ø [mm ²]	AWG
76	400	6 - 25	10 - 4
IEC 60947-7-1			
IEC	UL/CUL	CSA	IEC/EN 60079-7
400	-	-	-
76 / 16	- / -	-	-
16	-	-	-
10 - 4	-	-	-
solid	stranded	Ferrule Without / with plastic sleeve	
6 - 25	6 - 16	6 - 16	6 - 16
2.5 - 10	2.5 - 6	4 - 6	-
			4 - 6
12			
M5			
- / -			
2.5 - 3			
PA			
V2			

Technical data			
Width	Length	Height NS 35/7,5	
15	55	51	
I_{max} [A]	U_{max} [V]	max. Ø [mm ²]	AWG
110	400	0.75 - 35	18 - 2
IEC 60947-7-1			
IEC	UL/CUL	CSA	IEC/EN 60079-7
400	-	-	-
110 / 35	- / -	-	-
35	-	-	-
18 - 2	-	-	-
solid	stranded	Ferrule Without / with plastic sleeve	
0.75 - 35	0.75 - 35	0.75 - 35	0.75 - 35
0.75 - 10	0.75 - 10	0.75 - 10	-
			0.75 - 6
16			
M6			
M5 / 2.5 - 3			
3.2 - 3.7			
PA			
V2			

Ordering data			
Type	I_{max}	Order No.	Pcs. / Pkt.
UTN 16		3245053	50

Ordering data			
Type	I_{max}	Order No.	Pcs. / Pkt.
UTN 35		3245066	50

Accessories			
AGK 4-UT 16		3047125	50
AB-UTN 2,5/10		3245082	50
NLS-CU 3/10 SN 1000MM	140 A	0402174	10
SZS 1,0X4,0 VDE		1205066	10

Accessories			
AB-UTN 2,5/10		3245082	50
NLS-CU 3/10 SN 1000MM	140 A	0402174	10
SZS 1,0X4,0 VDE		1205066	10

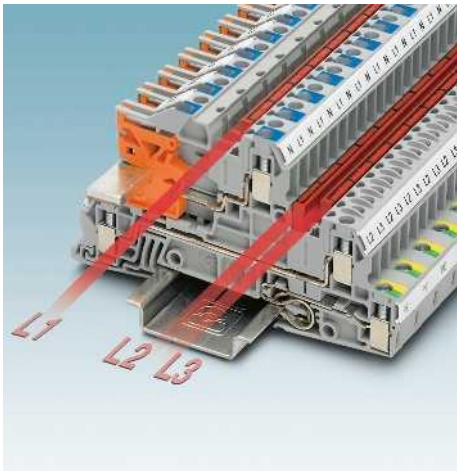
UC-TM 12, UCT-TM 12 or ZB 12
(see Catalog 5)

UC-TM 12, UCT-TM 12 or ZB 15
(see Catalog 5)

Modular terminal blocks - CLIPLINE complete

UTI screw connection installation terminal blocks

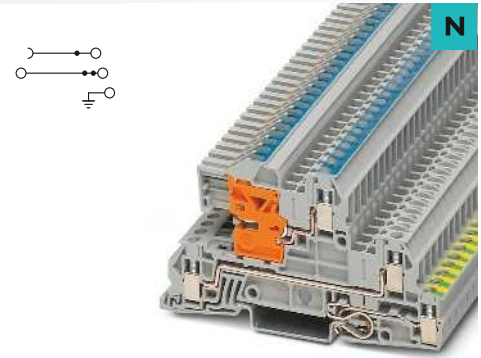
UTI 2,5... three-level installation terminal blocks



- Optimum operating convenience with extremely compact design
- Quickly wire load circuits with a pitch of just 5.2 mm
- Double function shafts on all levels
- Every terminal point can be clearly labeled and clearly seen in every terminal block installation position

CLIP PROJECT Planning enables the quick and convenient planning and configuration of fault-free terminal strips.

Notes:
For current carrying capacity of DIN rails, see page 716.
Assembly instructions:
For secure fastening of the neutral busbar, supports must be set at the beginning and end of each terminal strip as well as every 20 cm on longer terminal strips.
1) 3-pos. termination block.



4 (4) mm², 30 A, three-level terminal block, 1 x L phase conductor, 1 x N conductor can be disconnected, 1 x PE

Dimensions				
		[mm]		
Max. electrical data				
Rated data				
Rated voltage	[V]	400	300	-
Phase conductor / phase conductor	[V]	400	-	-
Phase conductor / PE	[V]	250	-	-
Phase conductor / N	[V]	250	-	-
Nominal current / cross section	[A] / [mm ²]	24 / 4	20 / -	-
Rated cross section	[mm ²]	4	-	-
Cross section range	AWG	24 - 12	26-12	-
Connection capacity				
1 conductor	[mm ²]	0.2 - 4	0.2 - 4	0.25 - 2.5
Two conductors (of the same type)	[mm ²]	0.2 - 1.5	0.2 - 1.5	0.25 - 0.75
Two stranded conductors with a TWIN ferrule	[mm ²]			0.5 - 0.75
General data				
Stripping length	[mm]		9	
Screw thread			M3	
Tightening torque	[Nm]		0.5 - 0.6	
Insulating material			PA	
Inflammability class according to UL 94			V0	

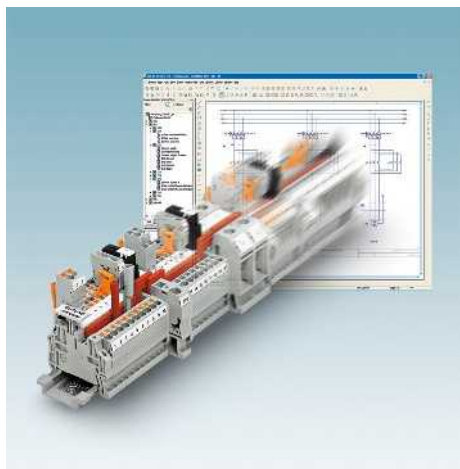
Technical data				
Width	Length	Height NS 35/7,5		
5.2	93.5	51.5		
I _{max} [A]	U _{max} [V]	max. Ø [mm ²]	AWG	
30 ¹⁾	400	0.2 - 4	24 - 12	
IEC	UL/CUL	CSA	IEC/EN 60079-7	
			Ferrule	
			Without / with plastic sleeve	
			0.25 - 2.5	0.25 - 2.5
			0.25 - 0.75	-
				0.5 - 0.75

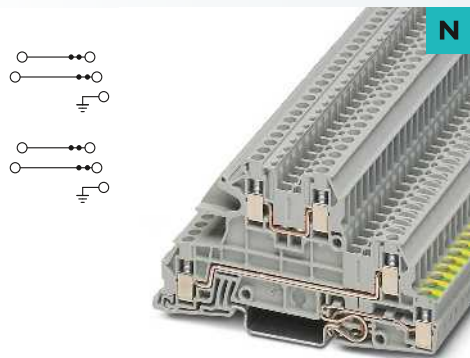
Description	No. of pos.	Color
Terminal block, for mounting on NS 35...		gray
		gray

Ordering data			
Type	I _{max}	Order No.	Pcs. / Pkt.
UTI 2,5-PE/L/NT		3076028	50

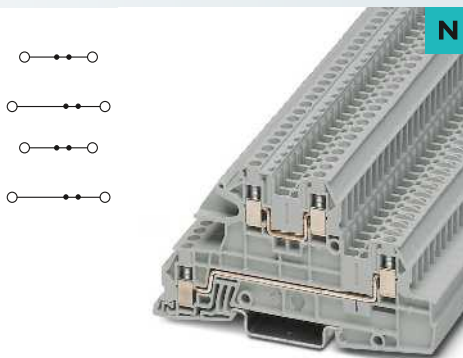
Cover , width 2.2 mm		gray
Plug-in bridge		
	2	red
	3	red
	4	red
	5	red
	10	red
	20	red
PEN conductor busbar , 3 x 10 mm, 1 m long, material: copper, tin-plated, nominal current: 140 A		silver
Test plug metal part , 2.3 mm Ø		
Insulating sleeve , for MPS metal part		red
Modular test plug , for the individual assembly of test plug strips		red
Support , to hold the neutral busbar, set every 20 cm, 2.2 mm wide		blue
Partition plate , 2.2 mm wide		gray
Marker adapter , 300 mm long, can be snapped into the lateral groove on modular terminal blocks, designed to accommodate ZB ... or UC-TM ...		gray
Screwdriver		
Center groove labeling		
Center and lateral groove labeling		

Accessories			
Type	I _{max}	Order No.	Pcs. / Pkt.
D-UTI/3		3076036	50
FBS 2-5	24 A	3030161	50
FBS 3-5	24 A	3030174	50
FBS 4-5	24 A	3030187	50
FBS 5-5	24 A	3030190	50
FBS 10-5	24 A	3030213	10
FBS 20-5	24 A	3030226	10
NLS-CU 3/10 SN 1000MM	140 A	0402174	10
MPS-MT		0201744	10
MPS-IH RD		0201676	10
PS-5		3030983	10
AB-UTI/3		3076038	50
ATP-PTI/3		3213990	50
CARRIER-TM 300		0828282	25
SZS 1,0X4,0 VDE		1205066	10
UC-TMF 5, UCT-TMF 5 or ZBF 5 (see Catalog 5)			

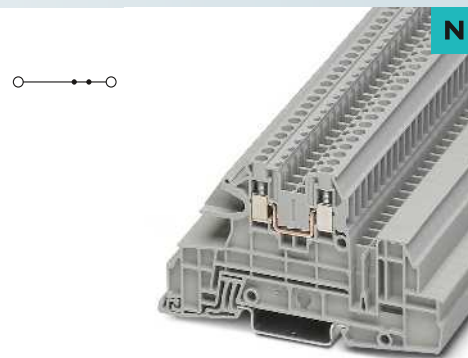




4 (4) mm², 30 A, three-level terminal block,
2 x L phase conductor, 1 x PE



4 (4) mm², 30 A, three-level terminal block,
2 x L phase conductor



4 (4) mm², 30 A, three-level terminal block,
1 x L phase conductor



Technical data			
Width	Length	Height NS 35/7,5	
5.2	93.5	51.5	
I_{max} [A]	U_{max} [V]	max. Ø [mm ²]	AWG
30 ¹⁾	400	0.2 - 4	24 - 12
IEC	UL/CUL	CSA	IEC/EN 60079-7
400	300	-	-
400	-	-	-
250	-	-	-
-	-	-	-
24 / 4	20 / -	-	-
4	-	-	-
24 - 12	26-12	-	-
solid	stranded	Ferrule Without / with plastic sleeve	
0.2 - 4	0.2 - 4	0.25 - 2.5	0.25 - 2.5
0.2 - 1.5	0.2 - 1.5	0.25 - 0.75	-
			0.5 - 0.75
9	M3	0.5 - 0.6	PA
			V0

Technical data			
Width	Length	Height NS 35/7,5	
5.2	93.5	51.5	
I_{max} [A]	U_{max} [V]	max. Ø [mm ²]	AWG
30 ¹⁾	400	0.2 - 4	24 - 12
IEC	UL/CUL	CSA	IEC/EN 60079-7
400	300	-	-
400	-	-	-
-	-	-	-
-	-	-	-
24 / 4	20 / -	-	-
4	-	-	-
24 - 12	26-12	-	-
solid	stranded	Ferrule Without / with plastic sleeve	
0.2 - 4	0.2 - 4	0.25 - 2.5	0.25 - 2.5
0.2 - 1.5	0.2 - 1.5	0.25 - 0.75	-
			0.5 - 0.75
9	M3	0.5 - 0.6	PA
			V0

Technical data			
Width	Length	Height NS 35/7,5	
5.2	93.5	51.5	
I_{max} [A]	U_{max} [V]	max. Ø [mm ²]	AWG
30 ¹⁾	400	0.2 - 4	24 - 12
IEC	UL/CUL	CSA	IEC/EN 60079-7
400	300	-	-
400	-	-	-
-	-	-	-
-	-	-	-
24 / 4	20 / -	-	-
4	-	-	-
24 - 12	26-12	-	-
solid	stranded	Ferrule Without / with plastic sleeve	
0.2 - 4	0.2 - 4	0.25 - 2.5	0.25 - 2.5
0.2 - 1.5	0.2 - 1.5	0.25 - 0.75	-
			0.5 - 0.75
9	M3	0.5 - 0.6	PA
			V0

Ordering data			
Type	I_{max}	Order No.	Pcs. / Pkt.
UTI 2,5-PE/L/L		3076029	50
UTI 2,5-PE/L/N		3076030	50

Ordering data			
Type	I_{max}	Order No.	Pcs. / Pkt.
UTI 2,5-L/L		3076031	50
UTI 2,5-L/N		3076035	50

Ordering data			
Type	I_{max}	Order No.	Pcs. / Pkt.
UTI 2,5-L		3076034	50

Accessories			
D-UTI/3		3076036	50
FBS 2-5	24 A	3030161	50
FBS 3-5	24 A	3030174	50
FBS 4-5	24 A	3030187	50
FBS 5-5	24 A	3030190	50
FBS 10-5	24 A	3030213	10
FBS 20-5	24 A	3030226	10
NLS-CU 3/10 SN 1000MM	140 A	0402174	10
MPS-MT		0201744	10
MPS-IH RD		0201676	10
PS-5		3030983	10
AB-UTI/3		3076038	50
ATP-PTI/3		3213990	50
CARRIER-TM 300		0828282	25
SZS 1,0X4,0 VDE		1205066	10

Accessories			
D-UTI/3		3076036	50
FBS 2-5	24 A	3030161	50
FBS 3-5	24 A	3030174	50
FBS 4-5	24 A	3030187	50
FBS 5-5	24 A	3030190	50
FBS 10-5	24 A	3030213	10
FBS 20-5	24 A	3030226	10
NLS-CU 3/10 SN 1000MM	140 A	0402174	10
MPS-MT		0201744	10
MPS-IH RD		0201676	10
PS-5		3030983	10
AB-UTI/3		3076038	50
ATP-PTI/3		3213990	50
CARRIER-TM 300		0828282	25
SZS 1,0X4,0 VDE		1205066	10

Accessories			
D-UTI/3		3076036	50
FBS 2-5	24 A	3030161	50
FBS 3-5	24 A	3030174	50
FBS 4-5	24 A	3030187	50
FBS 5-5	24 A	3030190	50
FBS 10-5	24 A	3030213	10
FBS 20-5	24 A	3030226	10
NLS-CU 3/10 SN 1000MM	140 A	0402174	10
MPS-MT		0201744	10
MPS-IH RD		0201676	10
PS-5		3030983	10
AB-UTI/3		3076038	50
ATP-PTI/3		3213990	50
CARRIER-TM 300		0828282	25
SZS 1,0X4,0 VDE		1205066	10

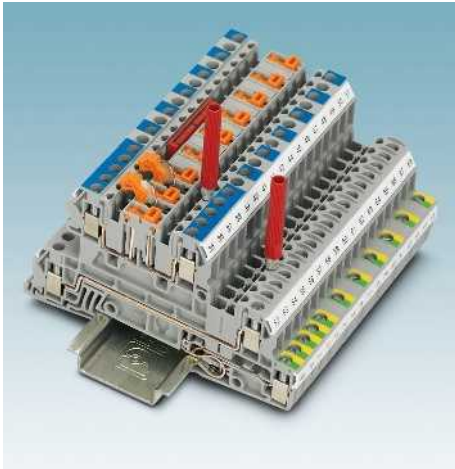
UC-TM 5, UCT-TM 5 or ZB 5
(see Catalog 5)
UC-TMF 5, UCT-TMF 5 or ZBF 5
(see Catalog 5)

UC-TM 5, UCT-TM 5 or ZB 5
(see Catalog 5)
UC-TMF 5, UCT-TMF 5 or ZBF 5
(see Catalog 5)

UC-TM 5, UCT-TM 5 or ZB 5
(see Catalog 5)
UC-TMF 5, UCT-TMF 5 or ZBF 5
(see Catalog 5)

UTI screw connection installation terminal blocks

UTI 2,5... three-level installation terminal blocks

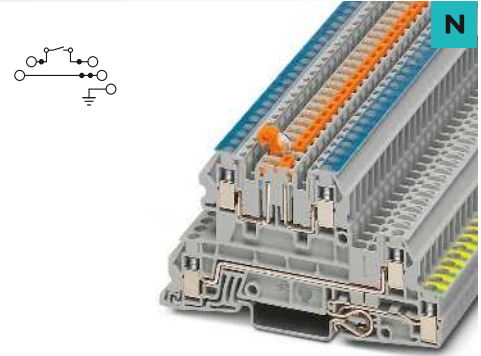


- The terminal blocks with the knife disconnect zone in the upper level comply with the safety requirement of single circuit disconnection according to DIN VDE 0100-718
- Knife disconnect terminal block with a current carrying capacity of 16 A
- Seamless and can be double bridged for all tasks in time-saving potential supply and distribution
- Testing facility on both sides of the disconnect point
- Optimum operating convenience with extremely compact design
- Quickly wire load circuits with a pitch of just 5.2 mm
- Double function shafts on all levels
- Every terminal point can be clearly labeled and clearly seen in every terminal block installation position

S-MT switching lock

- The optional switching lock snaps in and effectively prevents accidental switching

Notes:
For current carrying capacity of DIN rails, see page 716.
1) 3-pos. termination block.
2) Also see page 480.



4 (4) mm², 30 A, three-level terminal block, 1 x L phase conductor, 1 x N conductor can be disconnected, 1 x PE



Dimensions		[mm]	
Max. electrical data			
Rated data			
Rated voltage	[V]	400	300
Phase conductor / phase conductor	[V]	400	-
Phase conductor / PE	[V]	250	-
Phase conductor / N	[V]	250	-
Nominal current / cross section	[A] / [mm ²]	24 / 4	20 / -
Rated cross section	[mm ²]	4	-
Cross section range	AWG	24 - 12	26-12
Disconnect level rated data			
Nominal current / cross section		[A] / [mm ²]	16 / 1.5
Connection capacity			
1 conductor	[mm ²]	0.2 - 4	0.2 - 4
Two conductors (of the same type)	[mm ²]	0.2 - 1.5	0.2 - 1.5
Two stranded conductors with a TWIN ferrule	[mm ²]		
General data			
Stripping length	[mm]	9	
Screw thread		M3	
Tightening torque	[Nm]	0.5 - 0.6	
Insulating material		PA	
Inflammability class according to UL 94		V0	

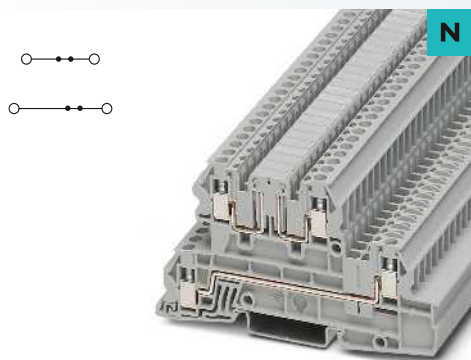
Technical data				
Width	Length	Height NS 35/7,5		
5.2	93.5	51.5		
I _{max} [A]	U _{max} [V]	max. Ø [mm ²]	AWG	
30 ¹⁾	400	0.2 - 4	24 - 12	
IEC	UL/CUL	CSA	IEC/EN 60079-7	
16	20	16	16	
Nominal current / cross section		[A] / [mm ²]	16 / 1.5	
Connection capacity			Ferrule	
			Without / with plastic sleeve	
1 conductor	[mm ²]	0.2 - 4	0.25 - 2.5	0.25 - 2.5
Two conductors (of the same type)	[mm ²]	0.2 - 1.5	0.25 - 0.75	-
Two stranded conductors with a TWIN ferrule	[mm ²]			0.5 - 0.75

Ordering data			
Type	I _{max}	Order No.	Pcs. / Pkt.
UTI 2,5-PE/L/NTB		3076032	50

Accessories			
D-UTI/3		3076036	50
FBS 2-5	24 A	3030161	50
FBS 3-5	24 A	3030174	50
FBS 4-5	24 A	3030187	50
FBS 5-5	24 A	3030190	50
FBS 10-5	24 A	3030213	10
FBS 20-5	24 A	3030226	10
PAI-4-N GY		3032871	10
MPS-MT		0201744	10
MPS-IH RD		0201676	10
PS-5		3030983	10
ATP-PTI/3		3213990	50
S-MT		3247954	50
CARRIER-TM 300		0828282	25
SZS 1,0X4,0 VDE		1205066	10

Description	No. of pos.	Color
Terminal block, for mounting on NS 35...		gray
Cover, width 2.2 mm		gray
Plug-in bridge		
	2	red
	3	red
	4	red
	5	red
	10	red
	20	red
Test adapter, 4-mm test socket hole		gray
Test plug metal part, 2.3 mm Ø		red
Insulating sleeve, for MPS metal part		red
Modular test plug, for the individual assembly of test plug strips		red
Partition plate, 2.2 mm wide		gray
Switching lock, plug-in ²⁾		white
Marker adapter, 300 mm long, can be snapped into the lateral groove on modular terminal blocks, designed to accommodate ZB ... or UC-TM ...		gray
Screwdriver		
Center and lateral groove labeling		

UC-TMF 5, UCT-TMF 5 or ZBF 5 (see Catalog 5)
--



4 (4) mm², 30 A, three-level terminal block,
2 x L phase conductor



Technical data

Width	Length	Height NS 35/7,5	
5.2	93.5	51.5	
I_{max} [A]	U_{max} [V]	max. Ø [mm ²]	AWG
30 ¹⁾	400	0.2 - 4	24 - 12
IEC	UL/CUL	CSA	IEC/ EN 60079-7
400	300	-	-
400	-	-	-
-	-	-	-
-	-	-	-
24 / 4	20 / -	-	-
4	-	-	-
24 - 12	26-12	-	-
IEC	UL/CUL	CSA	IEC/ EN 60079-7
16 / 1.5	20 / -	-	-
solid	stranded	Ferrule	
		Without / with plastic sleeve	
0.2 - 4	0.2 - 4	0.25 - 2.5	0.25 - 2.5
0.2 - 1.5	0.2 - 1.5	0.25 - 0.75	-
			0.5 - 0.75

9
M3
0.5 - 0.6
PA
V0

Ordering data

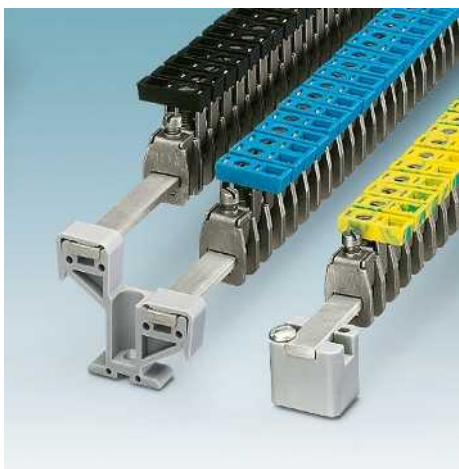
Type	I_{max}	Order No.	Pcs. / Pkt.
UTI 2,5-L/LB		3076033	50

Accessories

D-UTI/3		3076036	50
FBS 2-5	24 A	3030161	50
FBS 3-5	24 A	3030174	50
FBS 4-5	24 A	3030187	50
FBS 5-5	24 A	3030190	50
FBS 10-5	24 A	3030213	10
FBS 20-5	24 A	3030226	10
PAI-4-N GY		3032871	10
MPS-MT		0201744	10
MPS-IH RD		0201676	10
PS-5		3030983	10
ATP-PTI/3		3213990	50
CARRIER-TM 300		0828282	25
SZS 1,0X4,0 VDE		1205066	10

UC-TMF 5, UCT-TMF 5 or ZBF 5
(see Catalog 5)

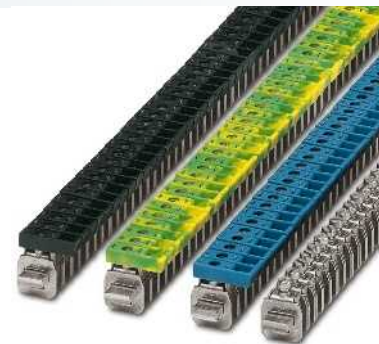
L/N/PE connection terminal blocks



– In electrical systems subject to the setup requirements of DIN VDE 0100 or IEC 60204-1 / EN 60204-1 / VDE 0113-1, N, PE or phase conductor L are often connected to central busbars. This requires the conductor and/or terminal block to be clearly labeled for the corresponding circuit.

The connection terminal blocks satisfy these requirements in several ways:

- Through individual labeling of each terminal block
- By their blue, green-yellow or black colored housings
- Large labeling possible with ZB, UC-TM, UCT-TM



4 (6) mm², 41 A, connection terminal blocks

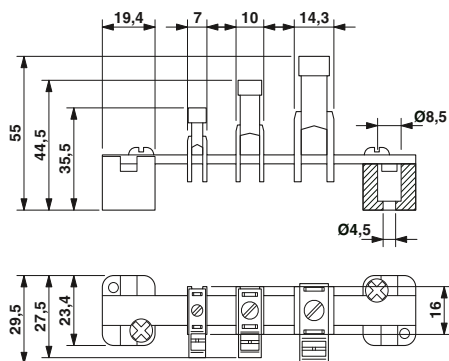


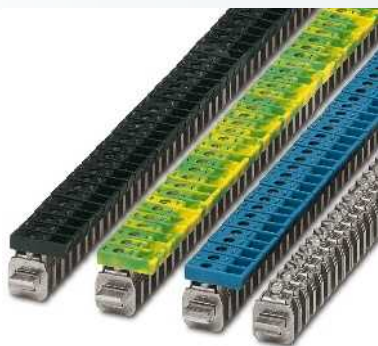
Dimensions	
	[mm]
Max. electrical data	
Rated data	
Rated voltage	[V]
Nominal current / cross section	[A] / [mm ²]
Rated cross section	[mm ²]
Cross section range	AWG
Connection capacity	
1 conductor	[mm ²]
Two conductors (of the same type)	[mm ²]
Two stranded conductors with a TWIN ferrule	[mm ²]
General data	
Stripping length	[mm]
Screw thread	
Tightening torque	[Nm]
Insulating material	
Inflammability class according to UL 94	

Technical data				
Width	Length	Height		
7	23.7	23.6		
I_{max} [A]		max. Ø [mm ²]	AWG	
41		0.5 - 6	20 - 10	
IEC	UL/CUL	CSA	IEC/EN 60079-7	
41 / 4	300	-	-	
4	20 / -	-	-	
20 - 10	-	-	-	
solid	stranded	-	-	
		Ferrule		
		Without / with plastic sleeve		
0.5 - 6	0.5 - 4	0.5 - 6	0.5 - 6	
0.5 - 2.5	0.5 - 2.5	0.5 - 2.5	-	
		0.5 - 2.5		

Description	Color
Connection terminal block , steel, pushed onto NLS neutral busbar, can be labeled with ZB ...	black
Up to 6 mm ² solid, 7 mm wide	green-yellow
Up to 6 mm ² solid, 7 mm wide	blue
Without insulating cap	silver
Connection terminal block , steel, pushed onto NLS neutral busbar, can be labeled with ZB ...	black
Up to 16 mm ² solid, 10 mm wide	green-yellow
Up to 16 mm ² solid, 10 mm wide	blue
Without insulating cap	silver
Connection terminal block , steel, pushed onto NLS neutral busbar, can be labeled with ZB ...	black
Up to 35 mm ² solid, 14.3 mm wide	green-yellow
Up to 35 mm ² solid, 14.3 mm wide	blue
Without insulating cap	silver

Ordering data			
Type	I_{max}	Order No.	Pcs. / Pkt.
AKG 4 BK		0421032	50
AKG 4 GN		0421029	50
AKG 4 BU		0421016	50
AK 4		0404017	50





16 (16) mm², 76 A, connection terminal blocks



35 (35) mm², 125 A, connection terminal blocks



Technical data

Width	Length	Height	
9.8	23.7	29	
I_{max} [A]		max. Ø [mm ²]	AWG
76		1.5 - 16	16 - 6
IEC	UL/CUL	CSA	IEC/EN 60079-7
-	300	-	-
76 / 16	50 / -	65 / -	-
16	-	-	-
16 - 6	18-6	18-6	-
solid	stranded	Ferrule	
		Without / with plastic sleeve	
1.5 - 16	1.5 - 16	1.5 - 16	1.5 - 16
1.5 - 6	1.5 - 6	1.5 - 6	-
			1.5 - 10

Technical data

Width	Length	Height	
14.3	27	39	
I_{max} [A]		max. Ø [mm ²]	AWG
125		2.5 - 35	14 - 2
IEC / EN	UL/CUL	CSA	IEC/EN 60079-7
-	300	-	-
125 / 35	115 / -	135 / -	-
35	-	-	-
14 - 2	18-2	18-2	-
solid	stranded	Ferrule	
		Without / with plastic sleeve	
2.5 - 35	2.5 - 35	2.5 - 35	2.5 - 35
1.5 - 16	1.5 - 16	1.5 - 16	-
			1.5 - 10

16
M5
2.3 - 3
PA
V2

16
M6
3.2 - 3.7
PA
V2

Ordering data

Type	Order No.	Pcs. / Pkt.
AKG 16 BK	0423030	50
AKG 16 GNYE	0423027	50
AKG 16 BU	0423014	50
AK 16	0404033	50

Ordering data

Type	Order No.	Pcs. / Pkt.
AKG 35 BK	0424039	50
AKG 35 GNYE	0424026	50
AKG 35 BU	0424013	50
AK 35	0404046	50

UTI screw connection installation terminal blocks

Neutral busbar



3 x 10 mm



6 x 6 mm

Dimensions	[mm]
General data	
Material	Copper

Technical data		
Width	Length	Height
10	1000	3
Copper		

Technical data		
Width	Length	Height
6	1000	6
Copper		

Description	Color
PEN conductor busbar , 3 x 10 mm, 1 m long, material: copper, tin-plated, nominal current: 140 A	silver
PEN conductor busbar , in accordance with DIN VDE 0611-4, 6 x 6 mm, 1 m long, material: copper, tin-plated, nominal current: 140 A	silver

Ordering data		
Type	Order No.	Pcs. / Pkt.
NLS-CU 3/10 SN 1000MM	0402174	10

Ordering data		
Type	Order No.	Pcs. / Pkt.
NLS-CU 6/ 6 SN 1000MM	0402161	10

Supports for neutral busbars

There is a choice of three support frames available as support for busbars:

- The AB/SS for one rail
- The AB 2/SS for offset arrangement of neutral and (PE) busbars
- The lower ABN 2/SS

Notes:
For dimensional drawings, see www.phoenixcontact.net/products

Y



Support frame for SK shield connection clamps

Y Y

Y Y Y



Support, multi-level, insulated

Dimensions	[mm]
General data	
Material	PA
Inflammability class according to UL 94	V2

Technical data		
Width	Length	Height
19.4	23.4	21.7
PA		
V2		

Technical data		
Width	Length	Height
19	42	48
PA		
V2		

Description	Color
Support , insulated, with retaining screw, for 3 x 10 mm or 6 x 6 mm busbars	gray
Double support , insulating material, optionally for use with 3 x 10 mm or 6 x 6 mm neutral busbar	gray
Height 48 mm	gray
Height 36.8 mm	gray
Triple support frame , made from insulation material	gray

Ordering data		
Type	Order No.	Pcs. / Pkt.
AB/SS	0404428	10

Ordering data		
Type	Order No.	Pcs. / Pkt.
AB2/SS	0404431	10
ABN 2/SS	0404460	10
AB3/SS	0800086	10

Power terminal blocks



10 (16) mm², 76 A, power terminal block



35 (35) mm², 125 A, power terminal block

Dimensions	[mm]
Max. electrical data	
Rated data	
Nominal current / cross section	[A] / [mm ²]
Connection capacity	
1 conductor	[mm ²]
Two conductors (of the same type)	[mm ²]
General data	
Stripping length	[mm]
Tightening torque	[Nm]

Technical data				
Width	Length	Height		
8	40	36		
I _{max} [A]	max. Ø [mm ²]		AWG	
76	0.5 - 16		20 - 6	
IEC	UL/CUL	CSA	IEC/ EN 60079-7	
57 / 10	- / -	-	-	
Connection capacity		Ferrule		
solid		stranded		
		Without / with plastic sleeve		
1 conductor	[mm ²]	0.5 - 16	0.5 - 10	0.5 - 10
Two conductors (of the same type)	[mm ²]	0.5 - 10	0.5 - 10	-
Stripping length		14		
Tightening torque		2.5 - 3		

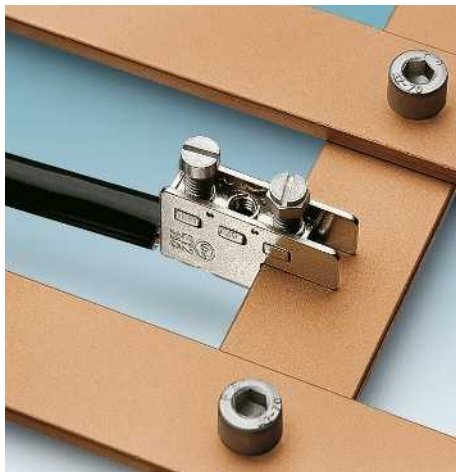
Technical data				
Width	Length	Height		
12	40	37		
I _{max} [A]	max. Ø [mm ²]		AWG	
125	0.75 - 35		18 - 2	
IEC	UL/CUL	CSA	IEC/ EN 60079-7	
125 / 35	- / -	-	-	
Connection capacity		Ferrule		
solid		stranded		
		Without / with plastic sleeve		
0.75 - 35	0.75 - 35	0.75 - 35	0.75 - 35	
0.75 - 10	0.75 - 10	0.75 - 10	-	
Stripping length		14		
Tightening torque		3.2 - 3.7		

Description	Color
Power terminal block, copper, nickel-plated	aluminum

Ordering data			
Type	I _{max}	Order No.	Pcs. / Pkt.
EK 116		0401010	10

Ordering data			
Type	I _{max}	Order No.	Pcs. / Pkt.
EK 135		0401023	10

Branch terminals



- A branch of flat copper busbars often has to be produced in switch systems
- This can be done easily with the branch terminal because the terminal block can be attached and firmly clamped anywhere on a copper rail (up to max. 5 mm thick) later on



35 (35) mm², 125 A, branch terminal

Dimensions	[mm]
Max. electrical data	
Rated data	
Nominal current / cross section	[A] / [mm ²]
Connection capacity	
1 conductor	[mm ²]
Two conductors (of the same type)	[mm ²]
Two stranded conductors with a TWIN ferrule	[mm ²]
General data	
Stripping length	[mm]
Tightening torque	[Nm]

Technical data				
Width	Length	Height		
12	40	36		
I _{max} [A]	max. Ø [mm ²]		AWG	
125	0.75 - 35		18 - 2	
IEC	UL/CUL	CSA	IEC/ EN 60079-7	
125 / 35	- / -	-	-	
Connection capacity		Ferrule		
solid		stranded		
		Without / with plastic sleeve		
0.75 - 35	0.75 - 35	0.75 - 35	0.75 - 35	
0.75 - 10	0.75 - 10	0.75 - 10	-	
Stripping length		15		
Tightening torque		3.2 - 3.7		

Description	Color
Branch terminal, for connection to copper bars up to 5 mm thick	aluminum

Ordering data			
Type	I _{max}	Order No.	Pcs. / Pkt.
AZK 35		0702997	10



- The branch terminals from the UDB ... series are suitable for the simple voltage pick-off of main supply cables up to 35 mm².
- The UDB ... blocks are used in counter and marshalling cabinets
- They meet the requirements of DIN VDE 0603-2/EN 60998-1
- The touch-proof blocks can be snapped together in a modular fashion depending on the application and attached to NS 35 DIN rails according to EN 60715
- Available in two terminal block versions up to 25 mm² or up to 35 mm²
- Available in the five current conductor colors, e.g., for three-phase cables



25 (25) mm², 101 A, trunk line branch terminal, 2 x 16 mm² feeders

Dimensions	[mm]	Width	Length	Height NS 35/7,5
		23	46	42
Max. electrical data		I_{max} [A]	U_{max} [V]	max. Ø [mm ²] AWG
		101	400	1.5 - 25 8 - 2
Rated data		Rated voltage [V]	Nominal current / cross section [A] / [mm ²]	Rated cross section [mm ²]
		400	101 / 25	25
			Rated cross section [mm ²]	Cross section range AWG
			25	8 - 2
Supply connection capacity		1 conductor [mm ²]	Branch connection capacity	
		1 conductor [mm ²]	1 conductor [mm ²]	
		1.5 - 25	10 - 25	1.5 - 16 1.5 - 10
General data		Stripping length [mm]	Insulating material	Inflammability class according to UL 94
		16	PA	V0

Technical data				
Width	Length	Height NS 35/7,5		
23	46	42		
I_{max} [A]	U_{max} [V]	max. Ø [mm ²]	AWG	
101	400	1.5 - 25	8 - 2	
IEC 60998-1				
IEC	UL/CUL	CSA	IEC/EN 60079-7	
Rated voltage [V]	Nominal current / cross section [A] / [mm ²]	Rated cross section [mm ²]	Cross section range AWG	
400	101 / 25	25	8 - 2	
Supply connection capacity				
1 conductor [mm ²]	Branch connection capacity	Ferrule		
1 conductor [mm ²]	1 conductor [mm ²]	Without / with plastic sleeve		
1.5 - 25	10 - 25	1.5 - 16 1.5 - 10		
General data				
Stripping length [mm]	Insulating material	Inflammability class according to UL 94		
16	PA	V0		

Description	Color
Terminal block, for mounting on NS 35...	gray black brown blue green

Ordering data			
Type	Order No.	Pcs. / Pkt.	
UDB 2X25/16 GY	3071355	5	
UDB 2X25/16 BK	3071356	5	
UDB 2X25/16 BN	3071357	5	
UDB 2X25/16 BU	3071358	5	
UDB 2X25/16 GN	3071359	5	

Accessories		
Screwdriver	SF-PZSL 1-80 VDE	1212556 10
Marking	0815677 EML (15X9)R	



N


**35 (35) mm², 125 A, trunk line branch terminal,
2 x 25 mm² feeders**

Technical data

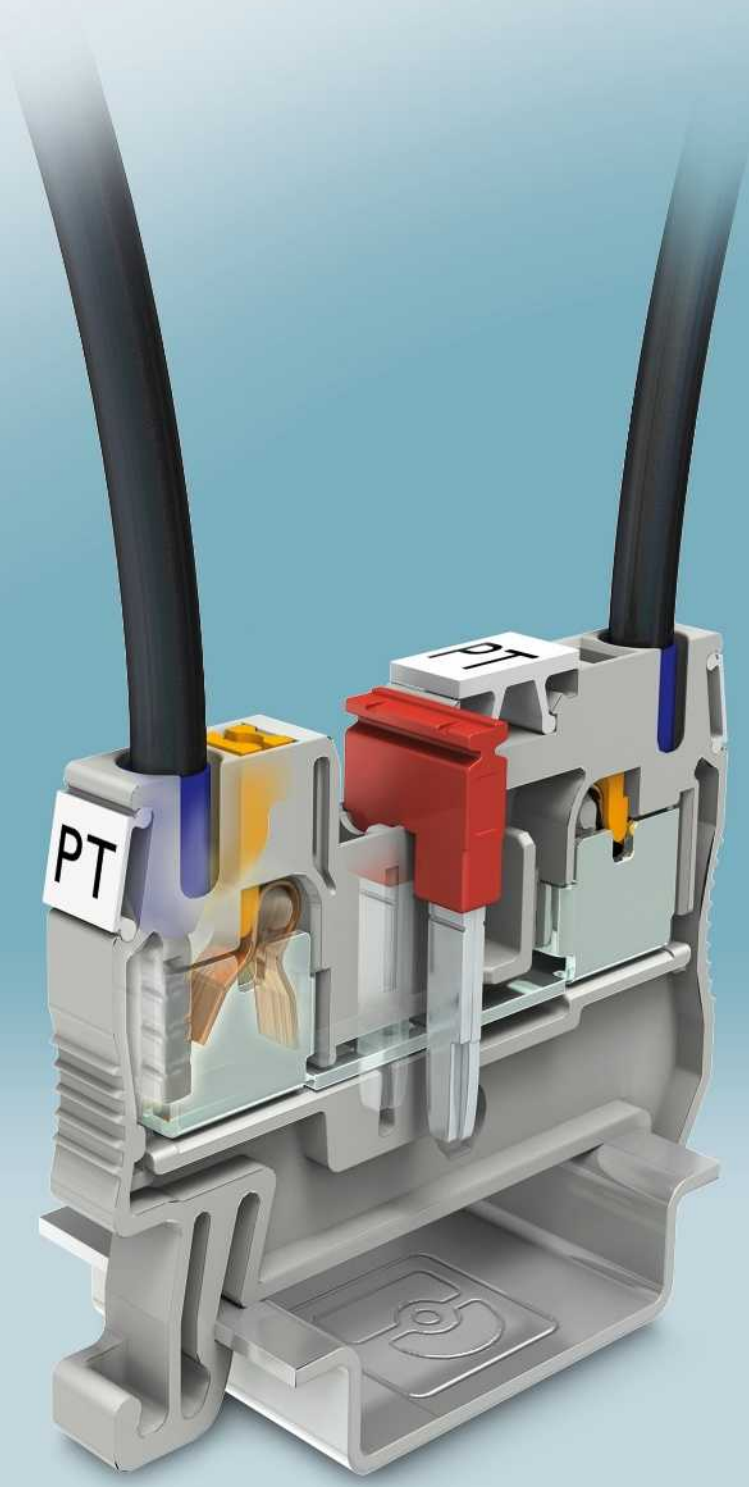
Width	Length	Height NS 35/7,5	
27	55	46	
I_{max} [A]	U_{max} [V]	max. Ø [mm ²]	AWG
125	400	10 - 35	8 - 2
IEC 60998-1			
IEC	UL/CUL	CSA	IEC/ EN 60079-7
400	-	-	-
125 / 35	- / -	- / -	-
35	-	-	-
8 - 2	-	-	-
solid	stranded	Ferrule	
		Without / with plastic sleeve	
10 - 35	10 - 25	10 - 25	10 - 16
solid	stranded	Ferrule	
		Without / with plastic sleeve	
1.5 - 25	-	1.5 - 16	1.5 - 10
25			
PA			
V0			

Ordering data

Type	Order No.	Pcs. / Pkt.
UDB 2X35/25 GY	3071350	5
UDB 2X35/25 BK	3071351	5
UDB 2X35/25 BN	3071352	5
UDB 2X35/25 BU	3071353	5
UDB 2X35/25 GN	3071354	5

Accessories

SF-PZSL 2-100 S-VDE	1212700	10
0815677 EML (15X9)R		



PT push-in connection terminal blocks

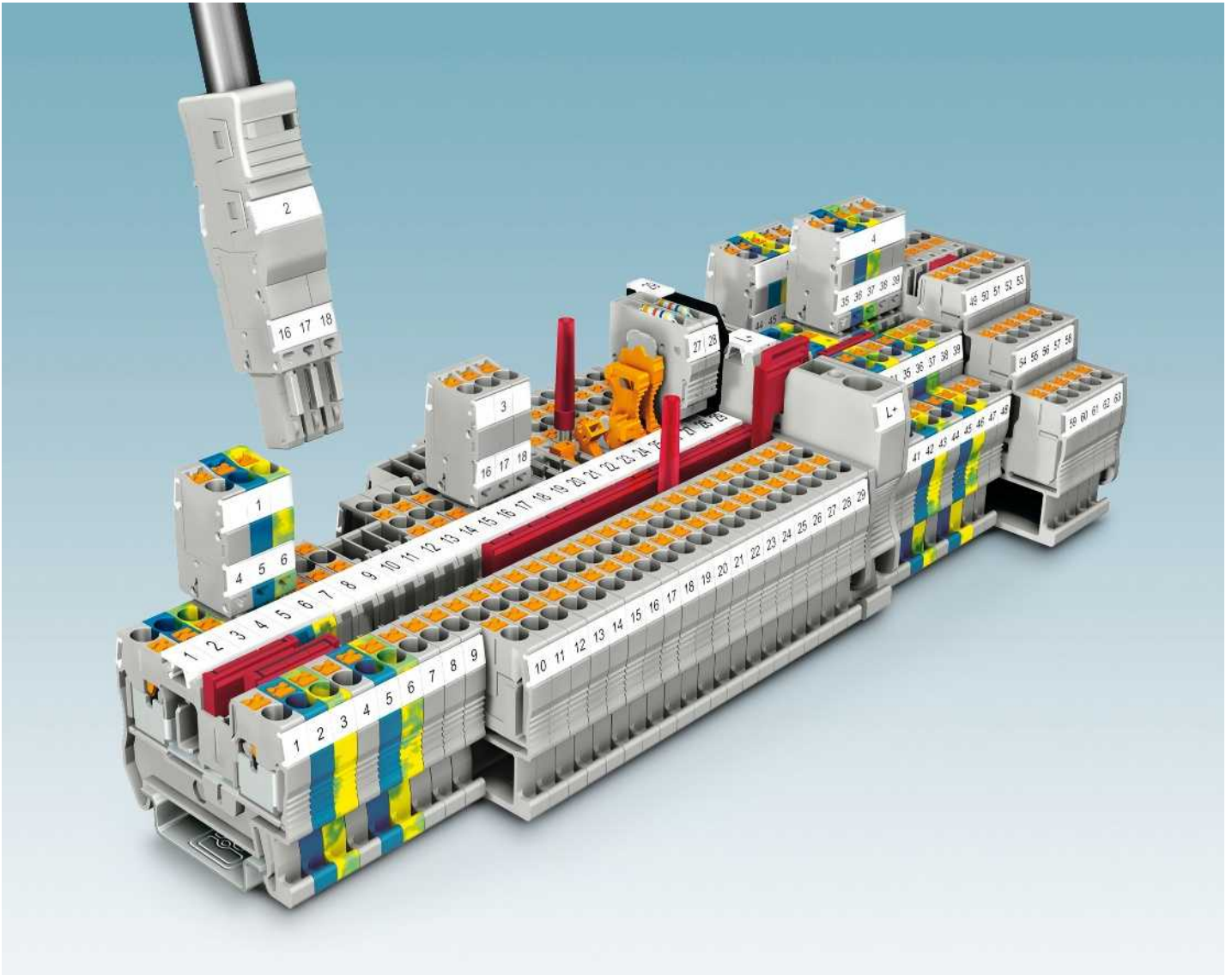
The PT push-in connection terminal blocks from the CLIPLINE complete system have been developed for direct conductor connection and offer a wide range of application options. Easy handling and direct, tool-free connection with up to 50 percent lower insertion forces are the key advantages of this terminal technology. When solid conductors or conductors with ferrules from 0.34 mm² are inserted, the contact spring is automatically opened and provides the required pressure force against the current bar.

The integrated actuation lever allows you to release conductors or to connect small conductor cross sections from 0.14 mm² with any type of tool - easily and without direct contact with live parts.

The PT connection technology has been tested and approved for a range of approvals. These include, for example, vibration resistance according to railway standard EN 50155 and shock and corrosion resistance according to current shipbuilding registers. It is also certified for process engineering in areas with increased safety (Ex e).

Product range overview

PT push-in connection terminal blocks	102
Feed-through terminal blocks	104
Ground terminal blocks	112
Feed-through and PE terminal blocks with 3 connections	116
Feed-through and PE terminal blocks with 4 connections	124
Double-level terminal blocks	128
Three-level terminal blocks	134
Three-conductor initiator/actuator terminal blocks	138
Four-conductor initiator/actuator terminal blocks	140
Lever-type fuse and disconnect terminal blocks	142
Fuse terminal blocks for auto flat-type fuses	143
Disconnect terminal blocks for accommodating function plugs	146
Knife disconnect terminal blocks	150
Test disconnect terminal blocks	155
Diode terminal blocks	160
Double-level diode terminal blocks	162
Terminal block bases for potential distribution	166
Desk-design feed-through and double-level terminal blocks	168
Desk-design ground terminal blocks	172
Mini terminal blocks	176
PTI push-in installation terminal blocks	178
Installation terminal blocks	180
Ground terminal blocks	182
Installation neutral conductor disconnect terminal blocks	184
Three-level installation terminal blocks	186
Three-level installation terminal blocks with disconnect zone	195



Push-in connection technology

The PT series is characterized by the easy, direct conductor connection and makes consistent use of the benefits of the CLIPLINE complete system.



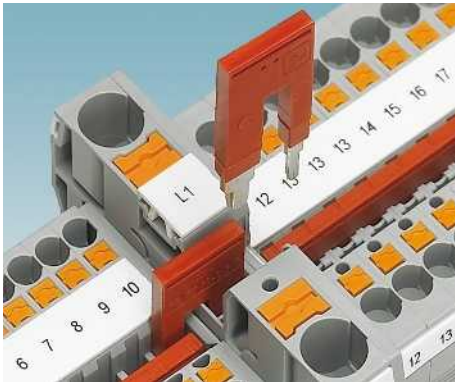
Easy insertion

The up to 50 percent reduction in insertion force offered by push-in technology supports simple and direct insertion of solid and stranded conductors featuring ferrules with a cross section of 0.34 mm² or higher.

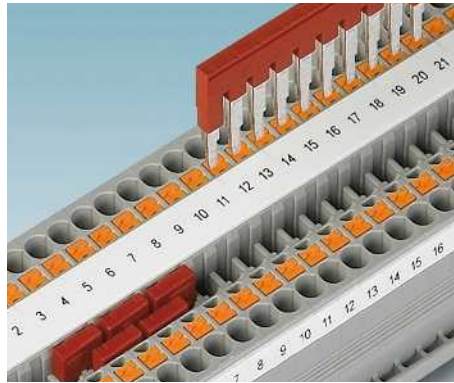


Latch function

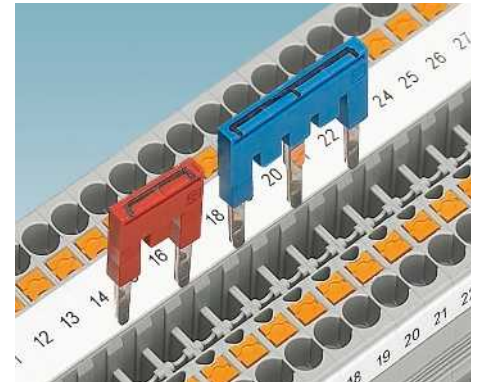
The integrated latch allows you to release connections with any type of tool – easily and without direct contact with live parts.



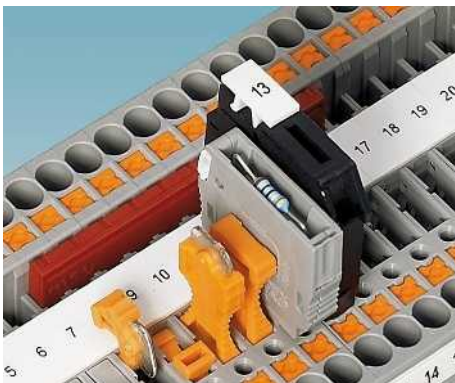
The reducing bridge allows terminal blocks with different nominal cross sections to be connected with ease, e.g., a PT 10 push-in terminal block to a PT 2.5. Power blocks can be created quickly using the reducing bridge.



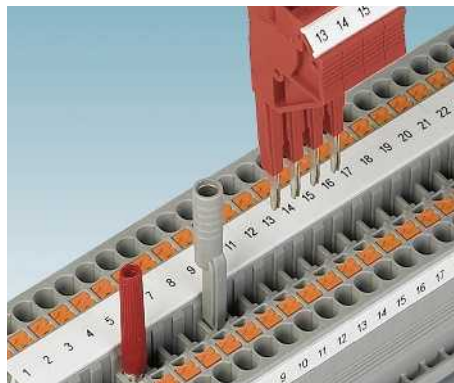
The double function shaft can be used to connect any number of terminal blocks with two-position bridges. The 2 to 50-pos. bridges allow up to 50 terminal blocks to be bridged in one step.



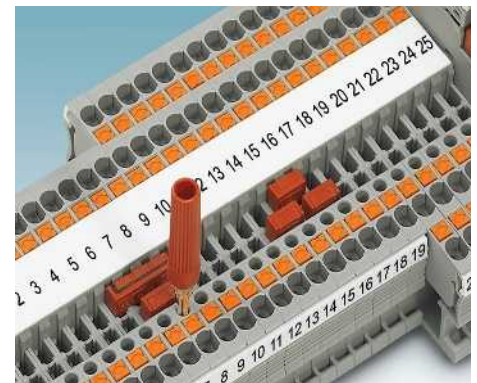
A jumping bridge is created by removing individual contact guides from the standard bridge. Two potentials can then be routed in parallel. The contact points can also be marked.



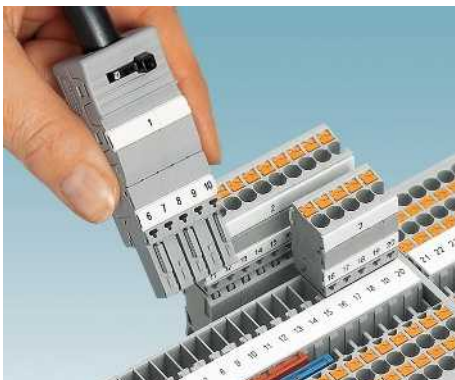
The P-FIX isolated feed-through connector, P-DI isolating plug, P-CO component plug, and P-FU cartridge fuse plug can be used in the universal plug-in zone of the disconnect terminal block.



A test plug with a 2.3 mm diameter is available for measuring lines. All measurement and test work can be completed at speed using test adapters for 4 mm diameter test plugs and the modular test plugs.



As well as offering a testing facility in the double function shaft, all push-in technology terminal blocks offer an additional test contact for test plugs with a 2.3 mm diameter.



Push-in COMBI terminal blocks are available for the plug-in configuration of signal wiring. The system is touch-proof and offers self-assembly plugs with extensive accessories.



Auto flat-type fuse terminal blocks with a 4 mm² conductor connection are available in the same shape as the feed-through terminal blocks. All terminal blocks can be continuously bridged with one another with the double function shaft.

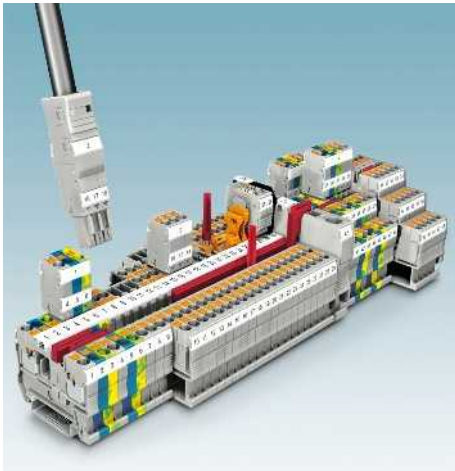


The compact lever-type fuse terminal blocks are of the same shape as the feed-through terminal blocks and can be labeled and bridged continuously. A time-saving potential distribution is easily created using a jumping bridge.

Modular terminal blocks - CLIPLINE complete

PT push-in connection terminal blocks

PT ... feed-through terminal blocks



The push-in connection terminal blocks are characterized by the system features of the CLIPLINE complete system and the following features:

- Single and tool-free wiring of conductors with ferrules or solid conductors
- Stranded conductors with ferrules can be inserted directly with PT 2,5 (from 0.34 mm²) and PT 4 (from 0.5 mm²)
- The actuation lever allows you to release conductors with any type of tool without contacting live parts
- The compact design and front connection enable wiring in a small amount of space
- As well as the testing facility in the dual function shaft, all terminal blocks provide an additional test connection

Terminal strip service

We produce fully pre-assembled terminal strips for fitting straight into the control cabinet or switch system. This simplifies installation, saves time, and cuts costs.

Notes:
1) For installation notes on the use of accessories for Ex e applications, see page 710.
2) The reducing bridge table should be followed, see page 476.



1.5 (1.5) mm², 17.5 A, feed-through terminal block



Dimensions		[mm]	
Max. electrical data			
Rated data			
Rated voltage	[V]	500	600
Nominal current / cross section	[A] / [mm ²]	17.5 / 1.5	15 / -
Rated cross section	[mm ²]	1.5	-
Cross section range	AWG	26 - 14	26-14
Connection capacity			
1 conductor	[mm ²]	0.14 - 1.5	0.14 - 1.5
Two stranded conductors with a TWIN ferrule	[mm ²]		
Direct plug-in connection cross sections	[mm ²]	0.25 - 1.5	-
General data			
Stripping length	[mm]	8	
Insulating material		PA	
Inflammability class according to UL 94		V0	

Technical data				
Width	Length	Height NS 35/7,5		
3.5	45	32		
I _{max} [A]	U _{max} [V]	max. Ø [mm ²]	AWG	
17.5	500	0.14 - 1.5	26 - 14	
IEC 60947-7-1				
IEC	UL/CUL	CSA	IEC/EN 60079-7	
			Without / with plastic sleeve	
			0.14 - 1.5	0.14 - 1
			0.34 - 1.5	0.34 - 1

Description	No. of pos.	Color
Terminal block, for mounting on NS 35...		gray blue

Ordering data			
Type	I _{max}	Order No.	Pcs. / Pkt.
PT 1,5/S		3208100	50
PT 1,5/S BU		3208126	50

Cover, width 2.2 mm	gray
Cover, 0.8 mm width	orange
Insulation stop sleeve, cross section range:	
0.08 - 0.2 mm ²	white
0.25 - 0.5 mm ²	gray
0.75 - 1 mm ²	black

Accessories ¹⁾			
D-PT 1,5/S		3208142	50

Plug-in bridge	No. of pos.	Color		
	2	red	FBS 2-3,5	17.5 A
	3	red	FBS 3-3,5	17.5 A
	4	red	FBS 4-3,5	17.5 A
	5	red	FBS 5-3,5	17.5 A
	10	red	FBS 10-3,5	17.5 A
	20	red	FBS 20-3,5	17.5 A

		3213014	50
		3213027	50
		3213030	50
		3213043	50
		3213056	50
		3213069	50

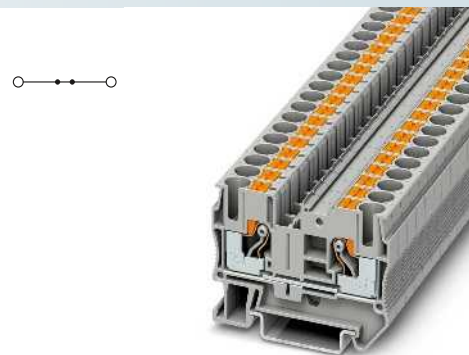
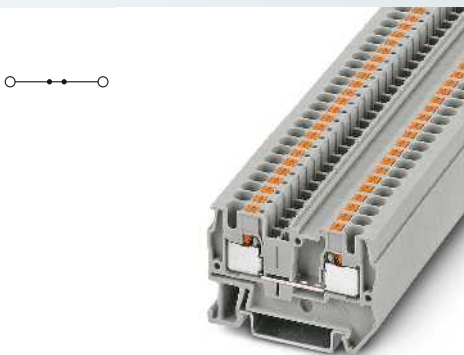
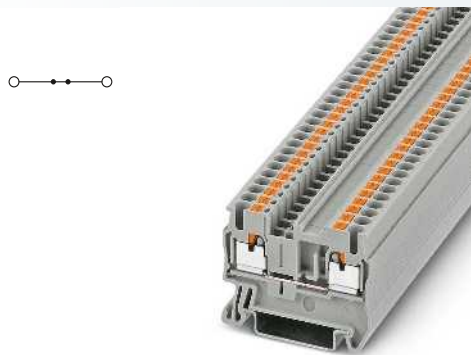
Reducing bridge ²⁾	2	red
Partition plate, 2 mm width		gray
Test adapter, 4-mm test socket hole		gray
Test plug metal part, 2.3 mm Ø		
Insulating sleeve, for MPS metal part		red
Modular test plug, for the individual assembly of test plug strips		red

		3214356	10
		3030721	50
MPS-MT		0201744	10
MPS-IH RD		0201676	10

Screwdriver	SZF 0-0,4X2,5	1204504	10
-------------	---------------	---------	----

Center groove labeling	UCT-TM 3,5 or ZB 3,5 (see Catalog 5)
Center and lateral groove labeling	UCT-TMF 3,5 or ZBF 3,5 (see Catalog 5)

--	--	--	--



2.5 (4) mm², 30 A, feed-through terminal block

4 (6) mm², 38 A, feed-through terminal block

6 (10) mm², 52 A, feed-through terminal block



Ex:
PTB 09ATEX1111U / IECEx PTB 10.0021U

Technical data			
Width	Length	Height NS 35/7,5	
5.2	48.5	36.5	
I_{max} [A]	U_{max} [V]	max. Ø [mm ²]	AWG
30	800	0.14 - 4	26 - 12
IEC 60947-7-1			
IEC	UL/CUL	CSA	IEC/EN 60079-7
800	600	600	550
24 / 2.5	20 / -	20 / -	28
2.5	-	-	2.5
26 - 12	26-12	26-12	26 - 12
solid	stranded	Ferrule	
Without / with plastic sleeve			
0.14 - 4	0.14 - 2.5	0.14 - 2.5	0.14 - 2.5
			0.5
0.34 - 4	-	0.34 - 2.5	0.34 - 2.5
10	PA	V0	



Ex:
PTB 09ATEX1112U / IECEx PTB 10.0046U

Technical data			
Width	Length	Height NS 35/7,5	
6.2	56	36.5	
I_{max} [A]	U_{max} [V]	max. Ø [mm ²]	AWG
38	800	0.2 - 6	24 - 10
IEC 60947-7-1			
IEC	UL/CUL	CSA	IEC/EN 60079-7
800	600	600	550
32 / 4	30 / -	30 / -	27
4	-	-	4
24 - 10	24-10	24-10	24 - 10
solid	stranded	Ferrule	
Without / with plastic sleeve			
0.2 - 6	0.2 - 4	0.25 - 4	0.25 - 4
			0.5 - 1
0.5 - 6	-	0.5 - 4	0.5 - 4
12	PA	V0	



PTB 09ATEX1113U / IECEx PTB 10.0047U

Technical data			
Width	Length	Height NS 35/7,5	
8.2	57.7	43.5	
I_{max} [A]	U_{max} [V]	max. Ø [mm ²]	AWG
52	1000	0.5 - 10	20 - 8
IEC 60947-7-1			
IEC	UL/CUL	CSA	IEC/EN 60079-7
1000	600	600	-
41 / 6	40 / -	40	-
6	-	-	-
20 - 8	20-8	20-8	-
solid	stranded	Ferrule	
Without / with plastic sleeve			
0.5 - 10	0.5 - 6	0.5 - 6	0.5 - 6
			0.5 - 1.5
1 - 10	-	1 - 6	1 - 6
12	PA	V0	

Ordering data			
Type	I_{max}	Order No.	Pcs. / Pkt.
PT 2,5		3209510	50
PT 2,5 BU		3209523	50

Ordering data			
Type	I_{max}	Order No.	Pcs. / Pkt.
PT 4		3211757	50
PT 4 BU		3211760	50

Ordering data			
Type	I_{max}	Order No.	Pcs. / Pkt.
PT 6		3211813	50
PT 6 BU		3211819	50

Accessories ¹⁾			
D-ST 2,5		3030417	50
D-ST 2,5-0,8 OG		3030511	50
ISH 2,5/0,2		3002843	50
ISH 2,5/0,5		3002856	50
ISH 2,5/1,0		3002869	50
FBS 2-5	24 A	3030161	50
FBS 3-5	24 A	3030174	50
FBS 4-5	24 A	3030187	50
FBS 5-5	24 A	3030190	50
FBS 10-5	24 A	3030213	10
FBS 20-5	24 A	3030226	10
ATP-ST 4		3030721	50
PAI-4-N GY		3032871	10
MPS-MT		0201744	10
MPS-IH RD		0201676	10
PS-5		3030983	10
SZF 1-0,6X3,5		1204517	10

Accessories ¹⁾			
D-ST 4		3030420	50
ISH 4/0,5		3002885	50
ISH 4/1,0		3002898	50
FBS 2-6	32 A	3030336	50
FBS 3-6	32 A	3030242	50
FBS 4-6	32 A	3030255	50
FBS 5-6	32 A	3030349	50
FBS 10-6	32 A	3030271	10
FBS 20-6	32 A	3030365	10
RB ST (2,5/4)-1,5/S		3214356	10
ATP-ST 4		3030721	50
PAI-4-N GY		3032871	10
MPS-MT		0201744	10
MPS-IH RD		0201676	10
PS-6		3030996	10
SZF 1-0,6X3,5		1204517	10

Accessories ¹⁾			
D-PT 6		3212044	50
FBS 2-8	24 A	3030284	10
FBS 3-8	24 A	3030297	10
FBS 4-8	24 A	3030307	10
FBS 5-8	24 A	3030310	10
FBS 10-8	24 A	3030323	10
RB ST 6-1,5/S		3213250	10
ATP-ST 6		3024481	50
PAI-4-N GY		3032871	10
MPS-MT		0201744	10
MPS-IH RD		0201676	10
PS-8		3031005	10
SZF 2-0,8X4,0		1204520	10

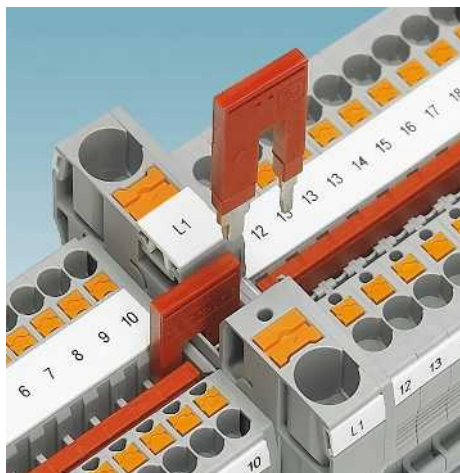
UC-TM 5, UCT-TM 5 or ZB 5
(see Catalog 5)
UC-TMF 5, UCT-TMF 5 or ZBF 5
(see Catalog 5)

UC-TM 6, UCT-TM 6 or ZB 6
(see Catalog 5)
UC-TMF 6, UCT-TMF 6 or ZBF 6
(see Catalog 5)

UC-TM 8, UCT-TM 8 or ZB 8
(see Catalog 5)
UC-TMF 8, UCT-TMF 8 or ZBF 8
(see Catalog 5)

PT push-in connection terminal blocks

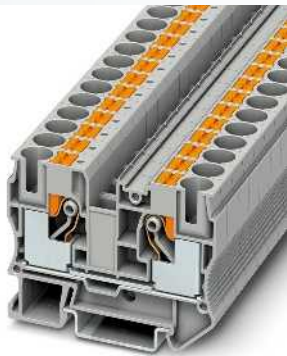
PT ... feed-through terminal blocks



- The double bridge shaft not only enables individual chain bridging, but also reducing bridging to push-in terminal blocks with smaller cross sections
- The flexible options for reducing bridging in the CLIPLINE complete system can be found in the "Accessories" section

CLIP PROJECT Planning enables the quick and convenient planning and configuration of fault-free terminal strips.

Notes:
1) The reducing bridge table should be followed, see page 476.



10 (16) mm², 70 A, feed-through terminal block



Dimensions		[mm]
Max. electrical data		
Rated data		
Rated voltage	[V]	1000
Nominal current / cross section	[A] / [mm ²]	57 / 10
Rated cross section	[mm ²]	10
Cross section range	AWG	20 - 6
Connection capacity		
1 conductor	[mm ²]	0.5 - 16
Two stranded conductors with a TWIN ferrule	[mm ²]	0.5 - 10
Direct plug-in connection cross sections	[mm ²]	0.5 - 10
General data		
Stripping length	[mm]	18
Insulating material		PA
Inflammability class according to UL 94		V0

Technical data				
Width	Length	Height NS 35/7,5		
10.2	67.7	50.5		
I _{max} [A]	U _{max} [V]	max. Ø [mm ²]	AWG	
70	1000	0.5 - 16	20 - 6	
IEC 60947-7-1				
IEC	UL/CUL	CSA	IEC/EN 60079-7	
Connection capacity				
		Ferrule		
		Without / with plastic sleeve		
solid	stranded	0.5 - 10	0.5 - 10	0.5 - 10
1 - 16	-	4 - 10	2.5 - 10	1.5 - 4

Description	No. of pos.	Color
Terminal block, for mounting on NS 35...		gray blue

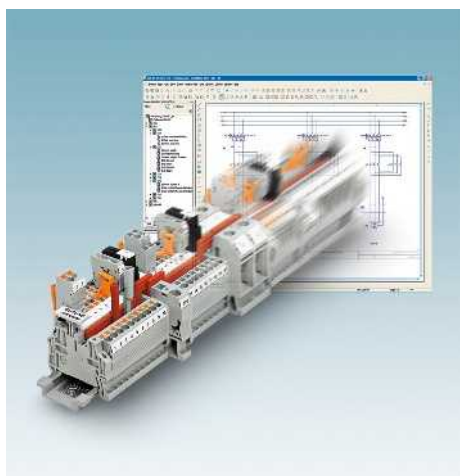
Ordering data			
Type	I _{max}	Order No.	Pcs. / Pkt.
PT 10		3212120	50
PT 10 BU		3212123	50

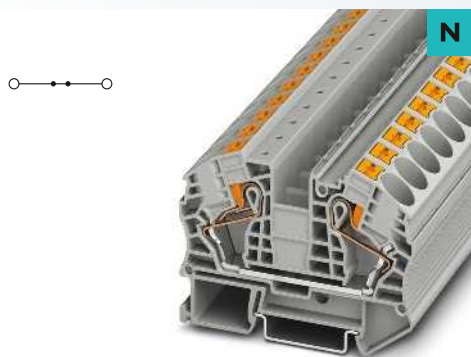
Cover, width 2.2 mm		gray
Plug-in bridge		
Reducing bridge ¹⁾	2	red
Screwdriver	2	red

Accessories			
D-PT 10		3212057	50
FBS 2-10	57 A	3005947	10
RB ST 10-(2,5/4)		3030873	10
SZF 3-1,0X5,5		1206612	10

Center groove labeling	
Center and lateral groove labeling	

UC-TM 10, UCT-TM 10 or ZB 10 (see Catalog 5)
UC-TMF 10, UCT-TMF 10 or ZBF 10 (see Catalog 5)





16 (25) mm², 90 A, feed-through terminal block

Technical data

Width	Length	Height NS 35/7,5	
12.2	75.4	52.6	
I_{max} [A]	U_{max} [V]	max. \emptyset [mm ²]	AWG
90	1000	0.5 - 25	20 - 4
IEC 60947-7-1			
IEC	UL/CUL	CSA	IEC/ EN 60079-7
1000	-	-	-
76 / 16	- / -	-	-
16	-	-	-
20 - 4	-	-	-
solid	stranded	Ferrule	
		Without / with plastic sleeve	
0.5 - 25	0.5 - 16	0.5 - 16	0.5 - 16 1.5 - 4
2.5 - 25	-	2.5 - 16	2.5 - 16
18			
PA			
V0			

Ordering data

Type	I_{max}	Order No.	Pcs. / Pkt.
PT 16 N		3212138	50
PT 16 N BU		3212142	50

Accessories

D-PT 16 N		3212060	50
FBS 2-12	76 A	3005950	10
RB ST 16-(2,5/4)		3030886	10
SZF 3-1,0X5,5		1206612	10

UC-TM 12, UCT-TM 12 or ZB 12
(see Catalog 5)
UC-TMF 12, UCT-TMF 12 or ZBF 12
(see Catalog 5)

Modular terminal blocks - CLIPLINE complete

PT push-in connection terminal blocks

PTPOWER 95... high-current terminal blocks



- Quick and easy connection is now also possible for large conductors. With the PTPOWER 95 high-current terminal block with push-in connection, conductors up to 95 mm² can be directly contacted.
- Direct connection without manually opening the terminal point
- To release the conductor, simply press the release button with a standard screwdriver

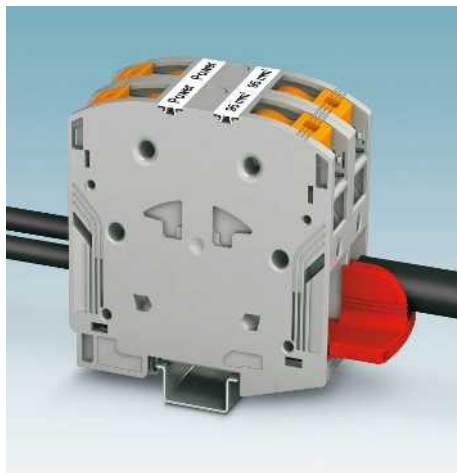


The pre-assembled terminal block bases reduce mounting and storage costs. The right terminal block base is available for every function.



The fully-insulated and snap-on (optional) AGK pick-off terminal blocks enable a voltage pick-off for two 16 mm² conductors.

- Large area for labeling
- Safe latching



Insertion bridges are available for easy potential distribution.

Notes:

1) The total current of all connected conductors must not exceed the max. load current.

Dimensions

[mm]

Max. electrical data

Rated data

Rated voltage [V]
Nominal current / cross section [A] / [mm²]
Rated cross section [mm²]
Cross section range AWG

Connection capacity

1 conductor [mm²]
Two stranded conductors with a TWIN ferrule [mm²]
Direct plug-in connection cross sections [mm²]
Max. cross section with insertion bridge [mm²]

General data

Stripping length [mm]
Insulating material
Inflammability class according to UL 94

Description	No. of pos.	Color
Terminal block , for mounting on NS 35/15		gray blue black/yellow
with 4 mm test connection		gray
with 4 mm test connection		blue
Terminal block base , for direct mounting, with three gray feed-through terminal blocks		gray
four feed-through terminal blocks, 3 x gray, 1 x blue		gray/blue
four feed-through terminal blocks, 3 x gray, 1 x black-yellow		gray/black-yellow
five feed-through terminal blocks, 3 x gray, 1 x blue, 1 x black-yellow		gray/blue/black-yellow
Pick-off terminal block , for snapping into the lateral guide, two 10 mm ² connections		gray
		blue
		green/yellow
		black/yellow

Insertion bridge, fully insulated

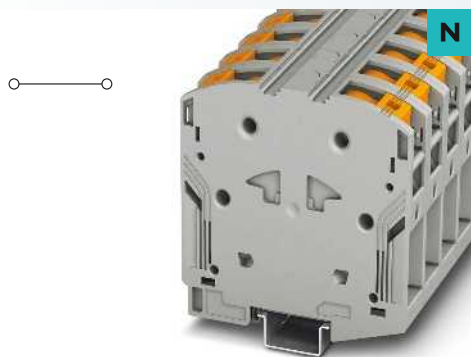
2 red
3 red

Test plug metal part, 2.3 mm Ø

Insulating sleeve, for MPS metal part red

Screwdriver

Center groove labeling



95 (95) mm², 232 A, feed-through terminal block



95 (95) mm², 232 A, terminal block base



10 (16) mm², 57 A, pick-off terminal block, 2 connections

Technical data			
Width	Length	Height NS 35/15	
25	105.5	108.7	
I_{max} [A]	U_{max} [V]	max. Ø [mm ²]	AWG
232	1500	25 - 95	4 - 3/0
IEC 60947-7-1			
IEC	UL/CUL	CSA	IEC/EN 60079-7
1500	-	-	-
232 / 95	- / -	-	-
95	-	-	-
4 - 3/0	-	-	-
solid	stranded	Ferrule Without / with plastic sleeve	
25 - 95	25 - 95	25 - 95	25 - 95
25 - 95	-	25 - 95	25 - 95
95	70		
40			
PA			
V0			

Technical data			
Width	Length	Height NS 35/15	
75	105.5	108.7	
I_{max} [A]	U_{max} [V]	max. Ø [mm ²]	AWG
232	1500	25 - 95	4 - 3/0
IEC 60947-7-1			
IEC	UL/CUL	CSA	IEC/EN 60079-7
1500	-	-	-
232 / 95	- / -	-	-
95	-	-	-
4 - 3/0	-	-	-
solid	stranded	Ferrule Without / with plastic sleeve	
25 - 95	25 - 95	25 - 95	25 - 95
25 - 95	-	25 - 95	25 - 95
95	70		
40			
PA			
V0			

Technical data			
Width	Length	Height NS 35/15	
18.5	35	-	
I_{max} [A]	U_{max} [V]	max. Ø [mm ²]	AWG
57 ¹⁾	1500	0.5 - 16	20 - 6
IEC			
	UL/CUL	CSA	IEC/EN 60079-7
1500	-	-	-
57 ¹⁾ / 10	- / -	-	-
10	-	-	-
20 - 6	-	-	-
solid	stranded	Ferrule Without / with plastic sleeve	
0.5 - 16	0.5 - 10	0.5 - 10	0.5 - 10
1 - 16	-	4 - 10	2.5 - 10
18			
PA			
V0			

Ordering data			
Type	I_{max}	Order No.	Pcs. / Pkt.
PTPOWER 95		3260100	10
PTPOWER 95 BU		3260103	10
PTPOWER 95-FE		3260139	10
PTPOWER 95 P		3260163	10
PTPOWER 95 P BU		3260166	10
PTPOWER 95-3L		3260109	4
PTPOWER 95-3L/N		3260112	2
PTPOWER 95-3L/FE		3260115	2
PTPOWER 95-3L/N/FE		3260118	2

Ordering data			
Type	I_{max}	Order No.	Pcs. / Pkt.
AGK 10-PTPOWER		3260145	10
AGK 10-PTPOWER BU		3260148	10
AGK 10-PTPOWER GN/YE		3260151	10
AGK 10-PTPOWER BK/YE		3260154	10

Ordering data			
Type	I_{max}	Order No.	Pcs. / Pkt.
MPS-MT		0201744	10
MPS-IH RD		0201676	10
SZF 3-1,0X5,5		1206612	10

Accessories			
Type	I_{max}	Order No.	Pcs. / Pkt.
EB 2-25/PT	150 A	3260157	10
EB 3-25/PT	150 A	3260160	10
SZF 3-1,0X5,5		1206612	10
UC-TM 16, UCT-TM 16 or ZB 16,3 (see Catalog 5)			

Accessories			
Type	I_{max}	Order No.	Pcs. / Pkt.
EB 2-25/PT	150 A	3260157	10
EB 3-25/PT	150 A	3260160	10
SZF 3-1,0X5,5		1206612	10
UC-TM 16, UCT-TM 16 or ZB 16,3 (see Catalog 5)			

Accessories			
Type	I_{max}	Order No.	Pcs. / Pkt.
MPS-MT		0201744	10
MPS-IH RD		0201676	10
SZF 3-1,0X5,5		1206612	10
UC-TM 10, UCT-TM 10 or ZB 10 (see Catalog 5)			

PT push-in connection terminal blocks

PTPOWER 95...-F high-current terminal blocks for direct mounting



- Quick and easy connection is now also possible for large conductors. With the PTPOWER 95 high-current terminal block with push-in connection, conductors up to 95 mm² can be directly contacted.
- Direct connection without manually opening the terminal point
- To release the conductor, simply press the release button with a standard screwdriver

Notes:
For drilling diagram, see www.phoenixcontact.net/products
1) The total current of all connected conductors must not exceed the max. load current.



95 (95) mm², 233 A, feed-through terminal block, for direct mounting

Dimensions		[mm]
Max. electrical data		
Rated data		
Rated voltage	[V]	1500
Nominal current / cross section	[A] / [mm ²]	232 / 95
Rated cross section	[mm ²]	95
Cross section range	AWG	4 - 3/0
Connection capacity		
1 conductor	[mm ²]	25 - 95
Two stranded conductors with a TWIN ferrule	[mm ²]	25 - 95
Direct plug-in connection cross sections	[mm ²]	25 - 95
Max. cross section with insertion bridge	[mm ²]	95
General data		
Stripping length	[mm]	40
Insulating material		PA
Inflammability class according to UL 94		V0

Technical data				
Width	Length	Height		
25	139.1	99.8		
I _{max} [A]	U _{max} [V]	max. Ø [mm ²]	AWG	
232	1500	25 - 95	4 - 3/0	
IEC 60947-7-1				
IEC	UL/CUL	CSA	IEC/EN 60079-7	
Connection capacity				
solid		stranded		Ferrule
				Without / with plastic sleeve
25 - 95	25 - 95	25 - 95	25 - 95	
25 - 95	-	25 - 95	25 - 95	
95	70			
General data				
Stripping length	[mm]	40		
Insulating material		PA		
Inflammability class according to UL 94		V0		

Description	No. of pos.	Color
Terminal block , for direct mounting		gray blue black/yellow
Terminal block base , for direct mounting, with three gray feed-through terminal blocks		gray
four feed-through terminal blocks, 3 x gray, 1 x blue		gray/blue
four feed-through terminal blocks, 3 x gray, 1 x black-yellow		gray/black-yellow
five feed-through terminal blocks, 3 x gray, 1 x blue, 1 x black-yellow		gray/blue/black-yellow
Pick-off terminal block , for snapping into the lateral guide, two 10 mm ² connections		gray blue green/yellow black/yellow

Insertion bridge , fully insulated	2	red
Test plug metal part , 2.3 mm Ø	3	red
Insulating sleeve , for MPS metal part		red
Screwdriver		
Center groove labeling		

Ordering data			
Type	I _{max}	Order No.	Pcs. / Pkt.
PTPOWER 95-F		3260133	10
PTPOWER 95-F BU		3260136	10
PTPOWER 95-FE-F		3260142	10

Accessories			
EB 2-25/PT	150 A	3260157	10
EB 3-25/PT	150 A	3260160	10
SZF 3-1,0X5,5		1206612	10
UC-TM 16, UCT-TM 16 or ZB 16,3 (see Catalog 5)			



N

95 (95) mm², 232 A, terminal block base, for direct mounting



N

10 (16) mm², 57 A, pick-off terminal block, 2 connections

Technical data			
Width	Length	Height	
75	139.1	99.8	
I_{max} [A]	U_{max} [V]	max. Ø [mm ²]	AWG
232	1500	25 - 95	4 - 3/0
IEC 60947-7-1			
IEC	UL/CUL	CSA	IEC/EN 60079-7
1500	-	-	-
232 / 95	- / -	-	-
95	-	-	-
4 - 3/0	-	-	-
solid	stranded	Ferrule Without / with plastic sleeve	
25 - 95	25 - 95	25 - 95	25 - 95
25 - 95	-	25 - 95	25 - 95
95	70	-	-
40	PA	V0	

Technical data			
Width	Length	Height	
18.5	35	34.7	
I_{max} [A]	U_{max} [V]	max. Ø [mm ²]	AWG
57 ¹⁾	1500	0.5 - 16	20 - 6
IEC			
IEC	UL/CUL	CSA	IEC/EN 60079-7
1500	-	-	-
57 ¹⁾ / 10	- / -	-	-
10	-	-	-
20 - 6	-	-	-
solid	stranded	Ferrule Without / with plastic sleeve	
0.5 - 16	0.5 - 10	0.5 - 10	0.5 - 10 1.5 - 2.5
1 - 16	-	4 - 10	2.5 - 10
18	PA	V0	

Ordering data			
Type	I_{max}	Order No.	Pcs. / Pkt.
PTPOWER 95-3L-F		3260121	4
PTPOWER 95-3L/N-F		3260124	2
PTPOWER 95-3L/FE-F		3260127	2
PTPOWER 95-3L/N/FE-F		3260130	2

Ordering data		
Type	Order No.	Pcs. / Pkt.
AGK 10-PTPOWER	3260145	10
AGK 10-PTPOWER BU	3260148	10
AGK 10-PTPOWER GN/YE	3260151	10
AGK 10-PTPOWER BK/YE	3260154	10

Accessories			
		Order No.	Pcs. / Pkt.
EB 2-25/PT	150 A	3260157	10
EB 3-25/PT	150 A	3260160	10
SZF 3-1,0X5,5		1206612	10
UC-TM 16, UCT-TM 16 or ZB 16,3 (see Catalog 5)			

Accessories		
	Order No.	Pcs. / Pkt.
MPS-MT	0201744	10
MPS-IH RD	0201676	10
SZF 3-1,0X5,5	1206612	10
UC-TM 10, UCT-TM 10 or ZB 10 (see Catalog 5)		

Modular terminal blocks - CLIPLINE complete

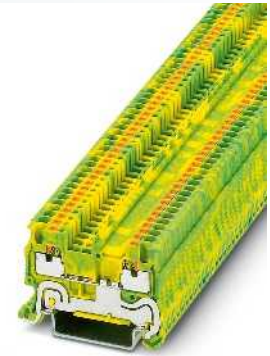
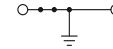
PT push-in connection terminal blocks

PT ...-PE ground terminal blocks



- Same shape and pitch as the feed-through terminal blocks
- Contact is made free from mechanical and electrical errors by simply snapping onto the DIN rail
- All the requirements of standard IEC 60947-7-2 are met

Notes:
For current carrying capacity of DIN rails, see page 716.
1) For installation notes on the use of accessories for Ex e applications, see page 710.



1.5 (1.5) mm², ground terminal block



Dimensions	
	[mm]
Max. electrical data	
Rated data	
Rated voltage	[V]
Nominal current / cross section	[A] / [mm ²]
Rated cross section	[mm ²]
Cross section range	AWG
Connection capacity	
1 conductor	[mm ²]
Two stranded conductors with a TWIN ferrule	[mm ²]
Direct plug-in connection cross sections	[mm ²]
General data	
Stripping length	[mm]
Insulating material	
Inflammability class according to UL 94	

Technical data				
Width	Length	Height NS 35/7,5		
3.5	45	32		
		max. Ø [mm ²]	AWG	
		0.14 - 1.5	26 - 14	
IEC 60947-7-2				
IEC	UL/CUL	CSA	IEC/EN 60079-7	
-	-	-	-	
-	- / -	-	-	
1.5	-	-	-	
26 - 14	26-14	26-14	-	
Connection capacity		Ferrule		
solid	stranded	Without / with plastic sleeve		
0.14 - 1.5	0.14 - 1.5	0.14 - 1.5	0.14 - 1	
0.25 - 1.5	-	0.34 - 1.5	0.34 - 1	
8	PA	V0		

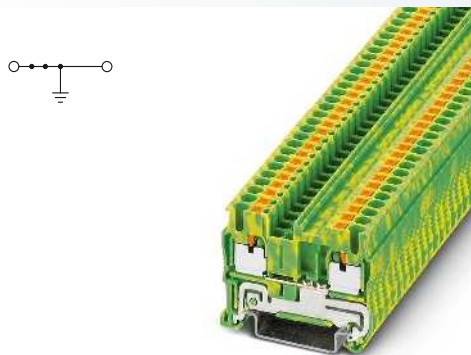
Description	No. of pos.	Color
Ground terminal block, for mounting on NS 35...		green-yellow

Ordering data		
Type	Order No.	Pcs. / Pkt.
PT 1,5/S-PE	3208139	50

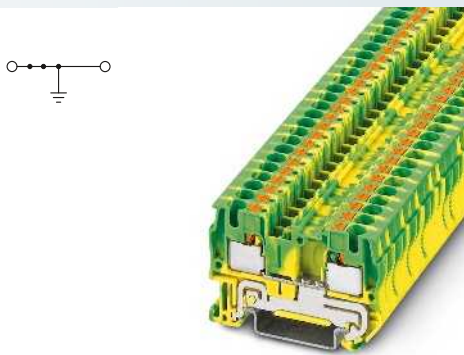
Cover, width 2.2 mm		gray
Cover, 0.8 mm width		orange
Insulation stop sleeve, cross section range:		
0.08 - 0.2 mm ²		white
0.25 - 0.5 mm ²		gray
0.75 - 1 mm ²		black
Plug-in bridge		
	2	red
	3	red
	4	red
	5	red
	10	red
	20	red
Partition plate, 2 mm width		gray
Test adapter, 4-mm test socket hole		gray
Test plug metal part, 2.3 mm Ø		
Insulating sleeve, for MPS metal part		red
Modular test plug, for the individual assembly of test plug strips		red

Accessories ¹⁾		
D-PT 1,5/S	3208142	50
FBS 2-3,5	3213014	50
FBS 3-3,5	3213027	50
FBS 4-3,5	3213030	50
FBS 5-3,5	3213043	50
FBS 10-3,5	3213056	50
FBS 20-3,5	3213069	50
ATP-ST 4	3030721	50
MPS-MT	0201744	10
MPS-IH RD	0201676	10
SZF 0-0,4X2,5	1204504	10

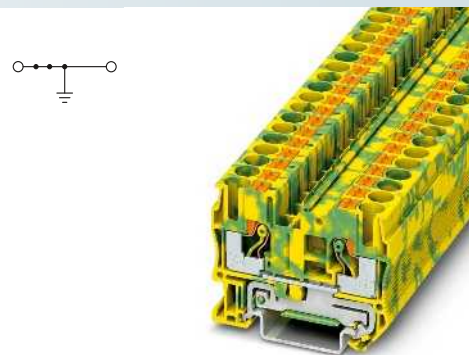
Center groove labeling	UCT-TM 3,5 or ZB 3,5 (see Catalog 5)
Center and lateral groove labeling	UCT-TMF 3,5 or ZBF 3,5 (see Catalog 5)



2.5 (4) mm², ground terminal block



4 (6) mm², ground terminal block



6 (10) mm², ground terminal block



Ex:
 PTB 09ATEX1111U / IECEx PTB 10.0021U



Ex:
 PTB 09ATEX1112U / IECEx PTB 10.0046U



Technical data			
Width	Length	Height NS 35/7,5	
5.2	48.5	36.5	
		max. Ø [mm ²]	AWG
		0.14 - 4	26 - 12
IEC 60947-7-2			
IEC	UL/CUL	CSA	IEC/ EN 60079-7
-	-	-	-
-	-/-	-	-
2.5	-	-	2.5
26 - 12	26-12	26-12	26 - 12
solid	stranded	Ferrule	
		Without / with plastic sleeve	
0.14 - 4	0.14 - 2.5	0.14 - 2.5	0.14 - 2.5
			0.5
0.34 - 4	-	0.34 - 2.5	0.34 - 2.5
10			
PA			
V0			

Technical data			
Width	Length	Height NS 35/7,5	
6.2	56	36.5	
		max. Ø [mm ²]	AWG
		0.2 - 6	24 - 10
IEC 60947-7-2			
IEC	UL/CUL	CSA	IEC/ EN 60079-7
-	-	-	-
-	-/-	-	-
4	-	-	4
24 - 10	24-10	24-10	24 - 10
solid	stranded	Ferrule	
		Without / with plastic sleeve	
0.2 - 6	0.2 - 4	0.25 - 4	0.25 - 4
			0.5 - 1
0.5 - 6	-	0.5 - 4	0.5 - 4
12			
PA			
V0			

Technical data			
Width	Length	Height NS 35/7,5	
8.2	57.7	43.5	
		max. Ø [mm ²]	AWG
		0.5 - 10	20 - 8
IEC 60947-7-2			
IEC	UL/CUL	CSA	IEC/ EN 60079-7
-	-	-	-
-	-/-	-	-
6	-	-	-
20 - 8	20-8	20-8	-
solid	stranded	Ferrule	
		Without / with plastic sleeve	
0.5 - 10	0.5 - 6	0.5 - 6	0.5 - 6
			0.5 - 1.5
1 - 10	-	1 - 6	1 - 6
12			
PA			
V0			

Ordering data		
Type	Order No.	Pcs. / Pkt.
PT 2,5-PE	3209536	50

Ordering data		
Type	Order No.	Pcs. / Pkt.
PT 4-PE	3211766	50

Ordering data		
Type	Order No.	Pcs. / Pkt.
PT 6-PE	3211822	50

Accessories ¹⁾		
D-ST 2,5	3030417	50
D-ST 2,5-0,8 OG	3030511	50
ISH 2,5/0,2	3002843	50
ISH 2,5/0,5	3002856	50
ISH 2,5/1,0	3002869	50
FBS 2-5	3030161	50
FBS 3-5	3030174	50
FBS 4-5	3030187	50
FBS 5-5	3030190	50
FBS 10-5	3030213	10
FBS 20-5	3030226	10
ATP-ST 4	3030721	50
PAI-4-N GY	3032871	10
MPS-MT	0201744	10
MPS-IH RD	0201676	10
PS-5	3030983	10
SZF 1-0,6X3,5	1204517	10

Accessories ¹⁾		
D-ST 4	3030420	50
ISH 4/0,5	3002885	50
ISH 4/1,0	3002898	50
FBS 2-6	3030336	50
FBS 3-6	3030242	50
FBS 4-6	3030255	50
FBS 5-6	3030349	50
FBS 10-6	3030271	10
FBS 20-6	3030365	10
ATP-ST 4	3030721	50
PAI-4-N GY	3032871	10
MPS-MT	0201744	10
MPS-IH RD	0201676	10
PS-6	3030996	10
SZF 1-0,6X3,5	1204517	10

Accessories ¹⁾		
D-PT 6	3212044	50
FBS 2-8	3030284	10
FBS 3-8	3030297	10
FBS 4-8	3030307	10
FBS 5-8	3030310	10
FBS 10-8	3030323	10
ATP-ST 6	3024481	50
PAI-4-N GY	3032871	10
MPS-MT	0201744	10
MPS-IH RD	0201676	10
PS-8	3031005	10
SZF 2-0,8X4,0	1204520	10

UC-TM 5, UCT-TM 5 or ZB 5
(see Catalog 5)
UC-TMF 5, UCT-TMF 5 or ZBF 5
(see Catalog 5)

UC-TM 6, UCT-TM 6 or ZB 6
(see Catalog 5)
UC-TMF 6, UCT-TMF 6 or ZBF 6
(see Catalog 5)

UC-TM 8, UCT-TM 8 or ZB 8
(see Catalog 5)
UC-TMF 8, UCT-TMF 8 or ZBF 8
(see Catalog 5)

PT push-in connection terminal blocks

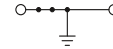
PT ...-PE ground terminal blocks

- Same shape and pitch as the feed-through terminal blocks
- Contact is made free from mechanical and electrical errors by simply snapping onto the DIN rail
- All the requirements of standard IEC 60947-7-2 are met

PTPOWER 95-PE

- Quick and easy connection is now also possible for large conductors. With the PTPOWER 95-PE high-current terminal block with push-in connection, conductors up to 95 mm² can be directly contacted.
- Direct connection without manually opening the terminal point
- To release the conductor, simply press the release button with a standard screwdriver

Notes:
For current carrying capacity of DIN rails, see page 716.



10 (16) mm², 70 A, ground terminal block



Dimensions		[mm]
Dimensions		[mm]
Max. electrical data		
Rated data		
Rated voltage	[V]	-
Nominal current / cross section	[A] / [mm ²]	57 / 10
Rated cross section	[mm ²]	10
Cross section range	AWG	20 - 6
Connection capacity		
1 conductor	[mm ²]	0.5 - 16
Two stranded conductors with a TWIN ferrule	[mm ²]	0.5 - 10
Direct plug-in connection cross sections	[mm ²]	0.5 - 10
General data		
Stripping length	[mm]	18
Insulating material		PA
Inflammability class according to UL 94		V0

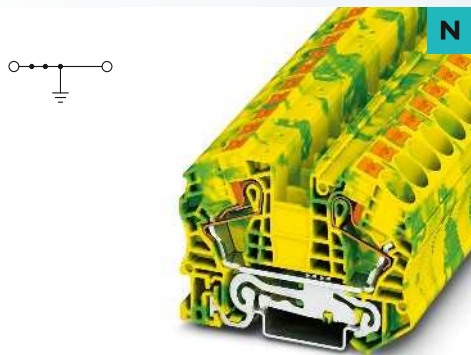
Technical data			
Width	Length	Height NS 35/7,5	
10.2	67.7	50.5	
Width	Length	Height NS 35/15	
10.2	67.7	58	
I _{max} [A]		max. Ø [mm ²]	AWG
70		0.5 - 16	20 - 6
IEC 60947-7-2			
IEC	UL/CUL	CSA	IEC/EN 60079-7
-	-	-	-
57 / 10	- / -	-	-
10	-	-	-
20 - 6	20-6	-	-
Connection capacity			
solid	stranded	Ferrule	
		Without / with plastic sleeve	
0.5 - 16	0.5 - 10	0.5 - 10	0.5 - 10
			1.5 - 4
1 - 16	-	4 - 10	2.5 - 10

Description	No. of pos.	Color
Ground terminal block, for mounting on NS 35...		green-yellow
Ground terminal block, for mounting on NS 35/15		green/yellow

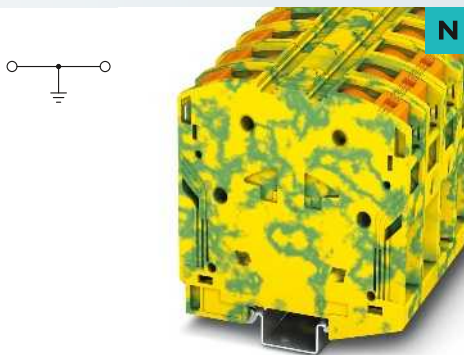
Pick-off terminal block, for snapping into the lateral guide, two 10 mm ² connections		gray
		blue
		green/yellow
		black/yellow
Cover, width 2.2 mm		gray
Plug-in bridge	2	red
Insertion bridge, fully insulated	2	red
	3	red
Screwdriver		

Ordering data			
Type	I _{max}	Order No.	Pcs. / Pkt.
PT 10-PE		3212131	50

Accessories			
D-PT 10		3212057	50
FBS 2-10	57 A	3005947	10
SZF 3-1,0X5,5		1206612	10
Center groove labeling		UC-TM 10, UCT-TM 10 or ZB 10 (see Catalog 5)	
Center and lateral groove labeling		UC-TMF 10, UCT-TMF 10 or ZBF 10 (see Catalog 5)	



16 (25) mm², 90 A, ground terminal block



95 (95) mm², 232 A, ground terminal block

Technical data			
Width	Length	Height NS 35/7,5	
12.2	75.4	52.6	
Width	Length	Height NS 35/15	
12.2	75.4	60.1	
I_{max} [A]	max. Ø [mm ²]	AWG	
90	0.5 - 25	20 - 4	
IEC 60947-7-2			
IEC	UL/CUL	CSA	IEC/EN 60079-7
-	-	-	-
76 / 16	- / -	-	-
16	-	-	-
20 - 4	-	-	-
solid	stranded	Ferrule Without / with plastic sleeve	
0.5 - 25	0.5 - 16	0.5 - 16	0.5 - 16
			1.5 - 4
2.5 - 25	-	2.5 - 16	2.5 - 16
18			
PA			
V0			

Technical data			
Width	Length	Height NS 35/7,5	
25	105.5	-	
Width	Length	Height NS 35/15	
25	105.5	108.7	
I_{max} [A]	max. Ø [mm ²]	AWG	
232	25 - 95	4 - 3/0	
IEC 60947-7-2			
IEC	UL/CUL	CSA	IEC/EN 60079-7
-	-	-	-
232 / 95	- / -	-	-
95	-	-	-
4 - 3/0	-	-	-
solid	stranded	Ferrule Without / with plastic sleeve	
25 - 95	25 - 95	25 - 95	25 - 95
25 - 95	-	25 - 95	25 - 95
40			
PA			
V0			

Ordering data			
Type	I_{max}	Order No.	Pcs. / Pkt.
PT 16 N-PE		3212147	50

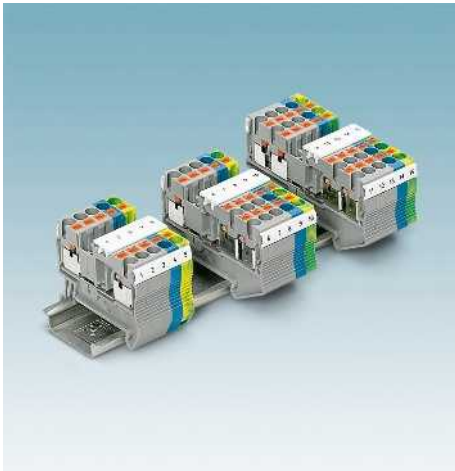
Ordering data			
Type	I_{max}	Order No.	Pcs. / Pkt.
PTPOWER 95-PE		3260106	10

Accessories			
D-PT 16 N		3212060	50
FBS 2-12	76 A	3005950	10
SZF 3-1,0X5,5		1206612	10
UC-TM 12, UCT-TM 12 or ZB 12 (see Catalog 5) UC-TMF 12, UCT-TMF 12 or ZBF 12 (see Catalog 5)			

Accessories			
AGK 10-PTPOWER		3260145	10
AGK 10-PTPOWER BU		3260148	10
AGK 10-PTPOWER GN/YE		3260151	10
AGK 10-PTPOWER BK/YE		3260154	10
EB 2-25/PT	150 A	3260157	10
EB 3-25/PT	150 A	3260160	10
SZF 3-1,0X5,5		1206612	10
UC-TM 16, UCT-TM 16 or ZB 16,3 (see Catalog 5)			

PT push-in connection terminal blocks

PT ...-TWIN feed-through terminal blocks with 3 connections



The push-in multi-conductor terminal blocks with single-sided double connection enable:

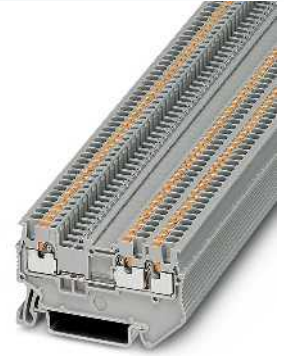
- Space-saving and practical multi-conductor connection without additional bridge
- All potential distribution tasks can be undertaken with ease
- The continuous dual function shaft offers every opportunity for time-saving potential distribution and storing test accessories

End cover segments

- If two-conductor terminal blocks are aligned on three or four-conductor terminal blocks, cover segments cover protruding parts, see figure below
- Fingers are protected from contact



Notes:
1) The total current of all connected conductors must not exceed the max. load current.
2) For installation notes on the use of accessories for Ex e applications, see page 710.
3) The reducing bridge table should be followed, see page 476.



1.5 (1.5) mm², 17.5 A, feed-through terminal block, 3 connections



Dimensions		[mm]
Max. electrical data		
Rated data		
Rated voltage	[V]	500
Nominal current / cross section	[A] / [mm ²]	17.5 ¹⁾ / 1.5
Rated cross section	[mm ²]	1.5
Cross section range	AWG	26 - 14
Connection capacity		
1 conductor	[mm ²]	0.14 - 1.5
Two stranded conductors with a TWIN ferrule	[mm ²]	0.14 - 1.5
Direct plug-in connection cross sections	[mm ²]	0.25 - 1.5
General data		
Stripping length	[mm]	8
Insulating material		PA
Inflammability class according to UL 94		V0

Technical data				
Width	Length	Height NS 35/7,5		
3.5	54	32		
I _{max} [A]	U _{max} [V]	max. Ø [mm ²]	AWG	
17.5 ¹⁾	500	0.14 - 1.5	26 - 14	
IEC 60947-7-1				
IEC	UL/CUL	CSA	IEC/EN 60079-7	
500	600	600	-	
17.5 ¹⁾ / 1.5	15 / -	15 / -	-	
1.5	-	-	-	
26 - 14	26-14	26-14	-	
Connection capacity				
		Ferrule		
		Without / with plastic sleeve		
solid	stranded			
0.14 - 1.5	0.14 - 1.5	0.14 - 1.5	0.14 - 1	
0.25 - 1.5	-	0.34 - 1.5	0.34 - 1	

Description	No. of pos.	Color
Terminal block, for mounting on NS 35...		gray blue

Ordering data			
Type	I _{max}	Order No.	Pcs. / Pkt.
PT 1,5/S-TWIN		3208155	50
PT 1,5/S-TWIN BU		3208168	50

Cover, width 2.2 mm		gray
Cover, 0.8 mm width		orange
End cover segment, for covering multi-conductor terminal blocks when two-conductor terminal blocks are aligned		gray
Insulation stop sleeve, cross section range:		
0.08 - 0.2 mm ²		white
0.25 - 0.5 mm ²		gray
0.75 - 1 mm ²		black
Plug-in bridge		
	2	red
	3	red
	4	red
	5	red
	10	red
	20	red

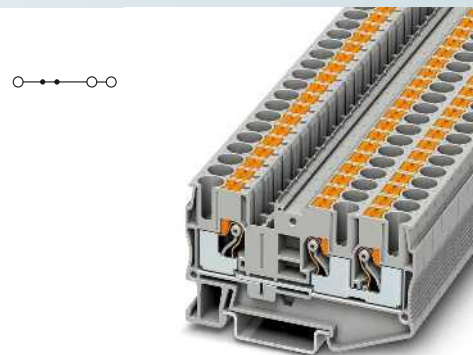
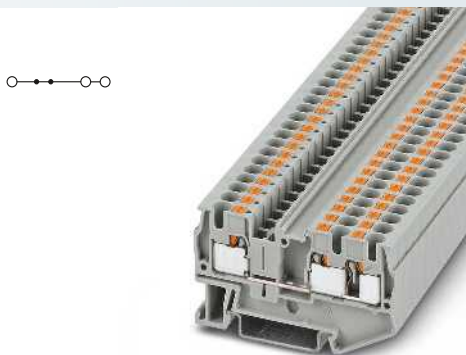
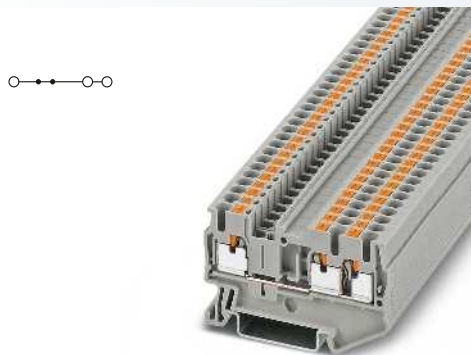
Accessories ²⁾			
D-PT 1,5/S-TWIN		3208184	50
FBS 2-3,5	17.5 A	3213014	50
FBS 3-3,5	17.5 A	3213027	50
FBS 4-3,5	17.5 A	3213030	50
FBS 5-3,5	17.5 A	3213043	50
FBS 10-3,5	17.5 A	3213056	50
FBS 20-3,5	17.5 A	3213069	50

Reducing bridge ³⁾		
Partition plate, 2 mm width	2	red
Test adapter, 4-mm test socket hole		gray
Test plug metal part, 2.3 mm Ø		gray
Insulating sleeve, for MPS metal part		red
Modular test plug, for the individual assembly of test plug strips		red

RB ST (2,5/4)-1,5/S		3214356	10
ATP-ST-TWIN		3030789	50
MPS-MT		0201744	10
MPS-IH RD		0201676	10

Screwdriver		
UCT-TM 3,5 or ZB 3,5 (see Catalog 5)		1204504
UCT-TMF 3,5 or ZBF 3,5 (see Catalog 5)		10

SZF 0-0,4X2,5		1204504	10
---------------	--	---------	----



2.5 (4) mm², 30 A, feed-through terminal block, 3 connections

4 (6) mm², 38 A, feed-through terminal block, 3 connections

6 (10) mm², 52 A, feed-through terminal block, 3 connections

Ex: PTB 09ATEX1111U / IECEx PTB 10.0021U

Technical data			
Width	Length	Height NS 35/7,5	
5.2	60.5	36.5	
I_{max} [A]	U_{max} [V]	max. Ø [mm ²]	AWG
30 ¹⁾	800	0.14 - 4	26 - 12
IEC 60947-7-1			
IEC	UL/CUL	CSA	IEC/EN 60079-7
800	600	600	550
24 ¹⁾ / 2.5	20 / -	20 / -	27
2.5	-	-	2.5
26 - 12	26-12	26-12	26 - 12
solid	stranded	Ferrule	
Without / with plastic sleeve			
0.14 - 4	0.14 - 2.5	0.14 - 2.5	0.14 - 2.5
		0.5	
0.34 - 4	-	0.34 - 2.5	0.34 - 2.5
10			
PA			
V0			

Ex: PTB 09ATEX1112U / IECEx PTB 10.0046U

Technical data			
Width	Length	Height NS 35/7,5	
6.2	66.5	36.5	
I_{max} [A]	U_{max} [V]	max. Ø [mm ²]	AWG
38 ¹⁾	800	0.2 - 6	24 - 10
IEC 60947-7-1			
IEC	UL/CUL	CSA	IEC/EN 60079-7
800	600	600	550
32 ¹⁾ / 4	30 / -	30 / -	28.5
4	-	-	4
24 - 10	24-10	24-10	24 - 10
solid	stranded	Ferrule	
Without / with plastic sleeve			
0.2 - 6	0.2 - 4	0.25 - 4	0.25 - 4
		0.5 - 1	
0.5 - 6	-	0.5 - 4	0.5 - 4
12			
PA			
V0			

Technical data			
Width	Length	Height NS 35/7,5	
8.2	74.2	43.5	
I_{max} [A]	U_{max} [V]	max. Ø [mm ²]	AWG
52 ¹⁾	1000	0.5 - 10	20 - 8
IEC 60947-7-1			
IEC	UL/CUL	CSA	IEC/EN 60079-7
1000	600	-	-
41 ¹⁾ / 6	40 / -	-	-
6	-	-	-
20 - 8	20-8	-	-
solid	stranded	Ferrule	
Without / with plastic sleeve			
0.5 - 10	0.5 - 6	0.5 - 6	0.5 - 6
		0.5 - 1.5	
1 - 10	-	1 - 6	1 - 6
12			
PA			
V0			

Ordering data			
Type	I_{max}	Order No.	Pcs. / Pkt.
PT 2,5-TWIN		3209549	50
PT 2,5-TWIN BU		3209552	50

Ordering data			
Type	I_{max}	Order No.	Pcs. / Pkt.
PT 4-TWIN		3211771	50
PT 4-TWIN BU		3211775	50

Ordering data			
Type	I_{max}	Order No.	Pcs. / Pkt.
PT 6-TWIN		3211929	50
PT 6-TWIN BU		3211485	50

Accessories ²⁾			
D-ST 2,5-TWIN		3030488	50
D-ST 2,5-TWIN-0,8 OG		3030512	50
DS-ST 2,5		3036602	10
ISH 2,5/0,2		3002843	50
ISH 2,5/0,5		3002856	50
ISH 2,5/1,0		3002869	50
FBS 2-5	24 A	3030161	50
FBS 3-5	24 A	3030174	50
FBS 4-5	24 A	3030187	50
FBS 5-5	24 A	3030190	50
FBS 10-5	24 A	3030213	10
FBS 20-5	24 A	3030226	10
ATP-ST-TWIN		3030789	50
PAI-4-N GY		3032871	10
MPS-MT		0201744	10
MPS-IH RD		0201676	10
PS-5		3030983	10
SZF 1-0,6X3,5		1204517	10

Accessories ²⁾			
D-PT 4-TWIN		3208977	50
ISH 4/0,5		3002885	50
ISH 4/1,0		3002898	50
FBS 2-6	32 A	3030336	50
FBS 3-6	32 A	3030242	50
FBS 4-6	32 A	3030255	50
FBS 5-6	32 A	3030349	50
FBS 10-6	32 A	3030271	10
FBS 20-6	32 A	3030365	10
RB ST (2,5/4)-1,5/S		3214356	10
ATP-ST-TWIN		3030789	50
PAI-4-N GY		3032871	10
MPS-MT		0201744	10
MPS-IH RD		0201676	10
PS-6		3030996	10
SZF 1-0,6X3,5		1204517	10

Accessories ²⁾			
D-PT 6-TWIN		3211508	50
FBS 2-8	24 A	3030284	10
FBS 3-8	24 A	3030297	10
FBS 4-8	24 A	3030307	10
FBS 5-8	24 A	3030310	10
FBS 10-8	24 A	3030323	10
RB ST 6-(2,5/4)		3030860	10
PAI-4-N GY		3032871	10
MPS-MT		0201744	10
MPS-IH RD		0201676	10
PS-8		3031005	10
SZF 2-0,8X4,0		1204520	10

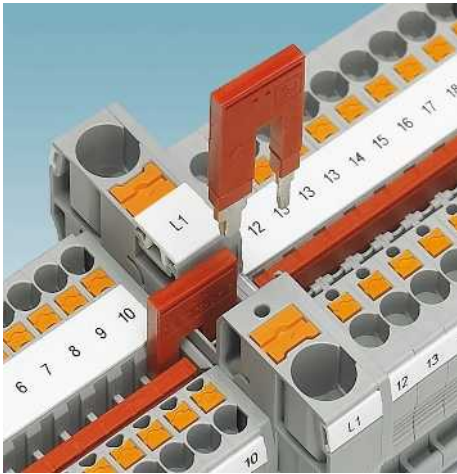
UC-TM 5, UCT-TM 5 or ZB 5
(see Catalog 5)
UC-TMF 5, UCT-TMF 5 or ZBF 5
(see Catalog 5)

UC-TM 6, UCT-TM 6 or ZB 6
(see Catalog 5)
UC-TMF 6, UCT-TMF 6 or ZBF 6
(see Catalog 5)

UC-TM 8, UCT-TM 8 or ZB 8
(see Catalog 5)
UC-TMF 8, UCT-TMF 8 or ZBF 8
(see Catalog 5)

PT push-in connection terminal blocks

PT ...-TWIN feed-through terminal blocks with 3 connections



- The double bridge shaft not only enables individual chain bridging, but also reducing bridging to push-in terminal blocks with smaller cross sections
- The flexible options for reducing bridging in the CLIPLINE complete system can be found in the "Accessories" section
- Three and four-conductor terminal blocks are ideal for use as space-saving potential distributors in ring line systems or solar plants up to 1000 V, for example
- The large conductor connection space enables solar cables with an outside diameter of up to 7.5 mm to be accommodated, for example

CLIP PROJECT Planning enables the quick and convenient planning and configuration of fault-free terminal strips.

Notes:
1) The total current of all connected conductors must not exceed the max. load current.
2) The reducing bridge table should be followed, see page 476.



10 (16) mm², 70 A, feed-through terminal block, 3 connections



Dimensions	
	[mm]
Max. electrical data	
Rated voltage	[V]
Nominal current / cross section	[A] / [mm ²]
Rated cross section	[mm ²]
Cross section range	AWG
Connection capacity	
1 conductor	[mm ²]
Two stranded conductors with a TWIN ferrule	[mm ²]
Direct plug-in connection cross sections	[mm ²]
General data	
Stripping length	[mm]
Insulating material	
Inflammability class according to UL 94	

Technical data				
Width	Length	Height NS 35/7,5		
10.2	88.9	50.5		
I _{max} [A]	U _{max} [V]	max. Ø [mm ²]	AWG	
70 ¹⁾	1000	0.5 - 16	20 - 6	
IEC 60947-7-1				
IEC	UL/CUL	CSA	IEC/EN 60079-7	
Rated voltage	600	-	-	
Nominal current / cross section	57 ¹⁾ / 10	60 / -	-	
Rated cross section	10	-	-	
Cross section range	20 - 6	20-6	-	
Connection capacity		solid	stranded	Ferrule Without / with plastic sleeve
1 conductor	0.5 - 16	0.5 - 10	0.5 - 10	0.5 - 10
Two stranded conductors with a TWIN ferrule	1 - 16	-	4 - 10	1.5 - 4
Direct plug-in connection cross sections				2.5 - 10
General data		18		
Stripping length		PA		
Insulating material		V0		
Inflammability class according to UL 94				

Description	No. of pos.	Color
Terminal block, for mounting on NS 35...		gray blue

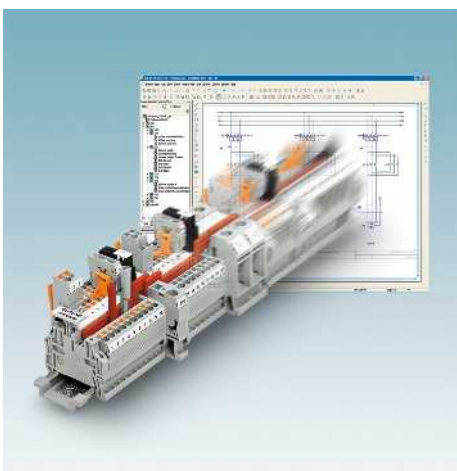
Ordering data			
Type	I _{max}	Order No.	Pcs. / Pkt.
PT 10-TWIN		3208746	50
PT 10-TWIN BU		3208747	50

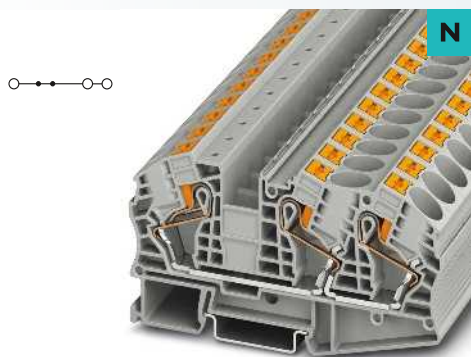
Cover, width 2.2 mm		gray
Plug-in bridge	2	red
Reducing bridge ²⁾	2	red
Screwdriver		

Accessories			
D-PT 10-TWIN		3208748	50
FBS 2-10	57 A	3005947	10
RB ST 10-(2,5/4)		3030873	10
SZF 3-1,0X5,5		1206612	10

Center groove labeling	
Center and lateral groove labeling	

UC-TM 10, UCT-TM 10 or ZB 10 (see Catalog 5)
UC-TMF 10, UCT-TMF 10 or ZBF 10 (see Catalog 5)





16 (25) mm², 90 A, feed-through terminal block, 3 connections

Technical data

Width	Length	Height NS 35/7,5	
12.2	100.2	52.6	
I_{max} [A]	U_{max} [V]	max. Ø [mm ²]	AWG
90*)	1000	0.5 - 25	20 - 4
IEC 60947-7-1			
IEC	UL/CUL	CSA	IEC/ EN 60079-7
1000	-	-	-
76*) / 16	- / -	-	-
16	-	-	-
20 - 4	-	-	-
solid	stranded	Ferrule	
		Without / with plastic sleeve	
0.5 - 25	0.5 - 16	0.5 - 16	0.5 - 16 1.5 - 4
2.5 - 25	-	2.5 - 16	2.5 - 16
18			
PA			
V0			

Ordering data

Type	I_{max}	Order No.	Pcs. / Pkt.
PT 16-TWIN N		3208760	25
PT 16-TWIN N BU		3208773	25

Accessories

Accessories	Order No.	Pcs.
D-PT 16-TWIN N	3208799	50
FBS 2-12	3005950	10
RB ST 16-(2,5/4)	3030886	10
SZF 3-1,0X5,5	1206612	10

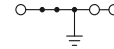
UC-TM 12, UCT-TM 12 or ZB 12
(see Catalog 5)
UC-TMF 12, UCT-TMF 12 or ZBF 12
(see Catalog 5)

PT push-in connection terminal blocks

PT ...-TWIN-PE ground terminal blocks with 3 connections

- Same shape and pitch as the feed-through terminal blocks
- Contact is made free from mechanical and electrical errors by simply snapping onto the DIN rail
- All the requirements of standard IEC 60947-7-2 are met

Notes:
For current carrying capacity of DIN rails, see page 716.
1) For installation notes on the use of accessories for Ex e applications, see page 710.



1.5 (1.5) mm², ground terminal block, 3 connections



Dimensions	
	[mm]
Max. electrical data	
Rated data	
Rated voltage	[V]
Nominal current / cross section	[A] / [mm ²]
Rated cross section	[mm ²]
Cross section range	AWG
Connection capacity	
1 conductor	[mm ²]
Two stranded conductors with a TWIN ferrule	[mm ²]
Direct plug-in connection cross sections	[mm ²]
General data	
Stripping length	[mm]
Insulating material	
Inflammability class according to UL 94	

Technical data				
Width	Length	Height NS 35/7,5		
3.5	54	32		
		max. Ø [mm ²]	AWG	
		0.14 - 1.5	26 - 14	
IEC 60947-7-2				
IEC	UL/CUL	CSA	IEC/EN 60079-7	
-	-	-	-	
-	-/-	-	-	
1.5	-	-	-	
26 - 14	26-14	26-14	-	
Connection capacity			Ferrule	
			Without / with plastic sleeve	
1 conductor	[mm ²]	0.14 - 1.5	0.14 - 1.5	0.14 - 1
Two stranded conductors with a TWIN ferrule	[mm ²]			
Direct plug-in connection cross sections	[mm ²]	0.25 - 1.5	-	0.34 - 1.5
				0.34 - 1
8				
PA				
V0				

Description	No. of pos.	Color
Ground terminal block, for mounting on NS 35...		green-yellow

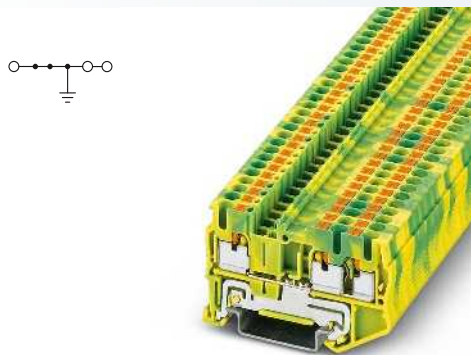
Ordering data		
Type	Order No.	Pcs. / Pkt.
PT 1,5/S-TWIN-PE	3208171	50

Cover, width 2.2 mm		gray
Cover, 0.8 mm width		orange
End cover segment, for covering multi-conductor terminal blocks when two-conductor terminal blocks are aligned		gray
Insulation stop sleeve, cross section range:		
0.08 - 0.2 mm ²		white
0.25 - 0.5 mm ²		gray
0.75 - 1 mm ²		black
Plug-in bridge		
	2	red
	3	red
	4	red
	5	red
	10	red
	20	red
Partition plate, 2 mm width		gray
Test adapter, 4-mm test socket hole		gray
Test plug metal part, 2.3 mm Ø		
Insulating sleeve, for MPS metal part		red
Modular test plug, for the individual assembly of test plug strips		red
Screwdriver		

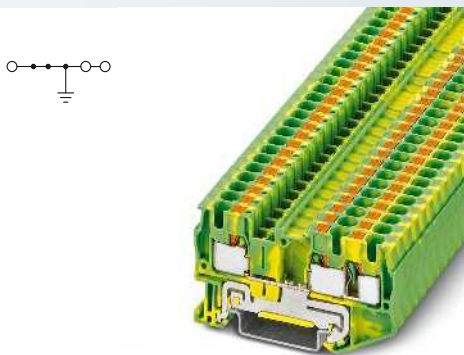
Accessories ¹⁾		
D-PT 1,5/S-TWIN	3208184	50
FBS 2-3,5	3213014	50
FBS 3-3,5	3213027	50
FBS 4-3,5	3213030	50
FBS 5-3,5	3213043	50
FBS 10-3,5	3213056	50
FBS 20-3,5	3213069	50
ATP-ST-TWIN	3030789	50
MPS-MT	0201744	10
MPS-IH RD	0201676	10
SZF 0-0,4X2,5	1204504	10

Lateral groove labeling
Center and lateral groove labeling

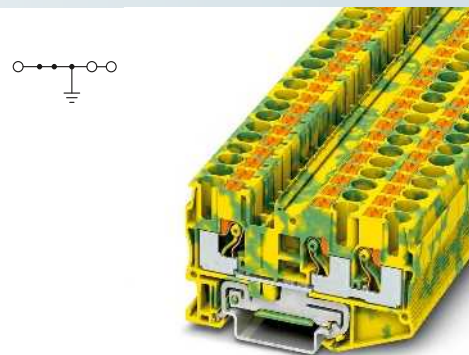
UCT-TM 3,5 or ZB 3,5 (see Catalog 5)
UCT-TMF 3,5 or ZBF 3,5 (see Catalog 5)



2.5 (4) mm², ground terminal block,
3 connections



4 (6) mm², ground terminal block,
3 connections



6 (10) mm², ground terminal block,
3 connections



Ex: PTB 09ATEX1111U / IECEx PTB 10.0021U



Ex: PTB 09ATEX1112U / IECEx PTB 10.0046U



Technical data			
Width	Length	Height NS 35/7,5	
5.2	60.5	36.5	
		max. Ø [mm ²]	AWG
		0.14 - 4	26 - 12
IEC 60947-7-2			
IEC	UL/CUL	CSA	IEC/EN 60079-7
-	-	-	-
-	-/-	-	-
2.5	-	-	2.5
26 - 12	26-12	26-12	26 - 12
solid	stranded	Ferrule	
		Without / with plastic sleeve	
0.14 - 4	0.14 - 2.5	0.14 - 2.5	0.14 - 2.5
			0.5
0.34 - 4	-	0.34 - 2.5	0.34 - 2.5
10			
PA			
V0			

Technical data			
Width	Length	Height NS 35/7,5	
6.2	66.5	36.5	
		max. Ø [mm ²]	AWG
		0.2 - 6	24 - 10
IEC 60947-7-2			
IEC	UL/CUL	CSA	IEC/EN 60079-7
-	-	-	-
-	-/-	-	-
4	-	-	4
24 - 10	24-10	24-10	24 - 10
solid	stranded	Ferrule	
		Without / with plastic sleeve	
0.2 - 6	0.2 - 4	0.25 - 4	0.25 - 4
			0.5 - 1
0.5 - 6	-	0.5 - 4	0.5 - 4
12			
PA			
V0			

Technical data			
Width	Length	Height NS 35/7,5	
8.2	74.2	43.5	
		max. Ø [mm ²]	AWG
		0.5 - 10	20 - 8
IEC 60947-7-2			
IEC	UL/CUL	CSA	IEC/EN 60079-7
-	-	-	-
-	-/-	-	-
6	-	-	-
20 - 8	20-8	-	-
solid	stranded	Ferrule	
		Without / with plastic sleeve	
0.5 - 10	0.5 - 6	0.5 - 6	0.5 - 6
			0.5 - 1.5
1 - 10	-	1 - 6	1 - 6
12			
PA			
V0			

Ordering data		
Type	Order No.	Pcs. / Pkt.
PT 2,5-TWIN-PE	3209565	50

Ordering data		
Type	Order No.	Pcs. / Pkt.
PT 4-TWIN-PE	3211780	50

Ordering data		
Type	Order No.	Pcs. / Pkt.
PT 6-TWIN-PE	3211498	50

Accessories ¹⁾		
D-ST 2,5-TWIN	3030488	50
D-ST 2,5-TWIN-0,8 OG	3030512	50
DS-ST 2,5	3036602	10
ISH 2,5/0,2	3002843	50
ISH 2,5/0,5	3002856	50
ISH 2,5/1,0	3002869	50
FBS 2-5	3030161	50
FBS 3-5	3030174	50
FBS 4-5	3030187	50
FBS 5-5	3030190	50
FBS 10-5	3030213	10
FBS 20-5	3030226	10
ATP-ST-TWIN	3030789	50
PAI-4-N GY	3032871	10
MPS-MT	0201744	10
MPS-IH RD	0201676	10
PS-5	3030983	10
SZF 1-0,6X3,5	1204517	10

Accessories ¹⁾		
D-PT 4-TWIN	3208977	50
ISH 4/0,5	3002885	50
ISH 4/1,0	3002898	50
FBS 2-6	3030336	50
FBS 3-6	3030242	50
FBS 4-6	3030255	50
FBS 5-6	3030349	50
FBS 10-6	3030271	10
FBS 20-6	3030365	10
ATP-ST-TWIN	3030789	50
PAI-4-N GY	3032871	10
MPS-MT	0201744	10
MPS-IH RD	0201676	10
PS-6	3030996	10
SZF 1-0,6X3,5	1204517	10

Accessories ¹⁾		
D-PT 6-TWIN	3211508	50
FBS 2-8	3030284	10
FBS 3-8	3030297	10
FBS 4-8	3030307	10
FBS 5-8	3030310	10
FBS 10-8	3030323	10
PAI-4-N GY	3032871	10
MPS-MT	0201744	10
MPS-IH RD	0201676	10
PS-8	3031005	10
SZF 2-0,8X4,0	1204520	10

UC-TM 5, UCT-TM 5 or ZB 5
(see Catalog 5)
UC-TMF 5, UCT-TMF 5 or ZBF 5
(see Catalog 5)

UC-TM 6, UCT-TM 6 or ZB 6
(see Catalog 5)
UC-TMF 6, UCT-TMF 6 or ZBF 6
(see Catalog 5)

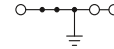
UC-TM 8, UCT-TM 8 or ZB 8
(see Catalog 5)
UC-TMF 8, UCT-TMF 8 or ZBF 8
(see Catalog 5)

PT push-in connection terminal blocks

PT ...-TWIN-PE ground terminal blocks with 3 connections

- Same shape and pitch as the feed-through terminal blocks
- Contact is made free from mechanical and electrical errors by simply snapping onto the DIN rail
- All the requirements of standard IEC 60947-7-2 are met

Notes:
For current carrying capacity of DIN rails, see page 716.



10 (16) mm², 70 A, ground terminal block, 3 connections



Dimensions	
	[mm]
Max. electrical data	
Rated data	
Rated voltage	[V]
Nominal current / cross section	[A] / [mm ²]
Rated cross section	[mm ²]
Cross section range	AWG
Connection capacity	
1 conductor	[mm ²]
Two stranded conductors with a TWIN ferrule	[mm ²]
Direct plug-in connection cross sections	[mm ²]
General data	
Stripping length	[mm]
Insulating material	
Inflammability class according to UL 94	

Technical data				
Width	Length	Height NS 35/7,5		
10.2	88.9	50.5		
I _{max} [A]		max. Ø [mm ²]	AWG	
70		0.5 - 16	20 - 6	
IEC 60947-7-2				
IEC	UL/CUL	CSA	IEC/EN 60079-7	
-	-	-	-	
57 / 10	- / -	-	-	
10	-	-	-	
20 - 6	20-6	-	-	
solid	stranded	Ferrule		
		Without / with plastic sleeve		
0.5 - 16	0.5 - 10	0.5 - 10	0.5 - 10	
			1.5 - 4	
1 - 16	-	4 - 10	2.5 - 10	
18				
PA				
V0				

Description	No. of pos.	Color
Ground terminal block , for mounting on NS 35...		green-yellow

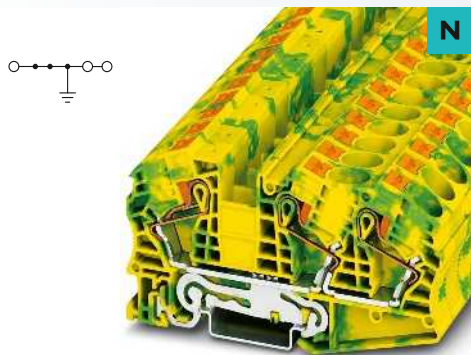
Ordering data			
Type	I _{max}	Order No.	Pcs. / Pkt.
PT 10-TWIN-PE		3208745	50

Cover , width 2.2 mm	gray
Plug-in bridge	
	2 red
Screwdriver	

Accessories			
D-PT 10-TWIN		3208748	50
FBS 2-10	57 A	3005947	10
SZF 3-1,0X5,5		1206612	10

Center groove labeling
Center and lateral groove labeling

UC-TM 10, UCT-TM 10 or ZB 10
(see Catalog 5)
UC-TMF 10, UCT-TMF 10 or ZBF 10
(see Catalog 5)



16 (25) mm², 90 A, ground terminal block,
3 connections

Technical data			
Width	Length	Height NS 35/7,5	
12.2	100.2	52.6	
I_{max} [A]		max. Ø [mm ²]	AWG
90		0.5 - 25	20 - 4
IEC 60947-7-2			
IEC	UL/CUL	CSA	IEC/ EN 60079-7
-	-	-	-
76 / 16	- / -	-	-
16	-	-	-
20 - 4	-	-	-
solid	stranded	Ferrule	
		Without / with plastic sleeve	
0.5 - 25	0.5 - 16	0.5 - 16	0.5 - 16 1.5 - 4
2.5 - 25	-	2.5 - 16	2.5 - 16
18			
PA			
V0			

Ordering data			
Type	I_{max}	Order No.	Pcs. / Pkt.
PT 16-TWIN N-PE		3208786	25

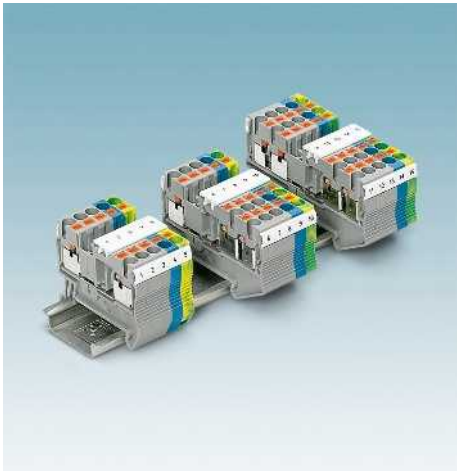
Accessories			
D-PT 16-TWIN N		3208799	50
FBS 2-12	76 A	3005950	10
SZF 3-1,0X5,5		1206612	10

UC-TM 12, UCT-TM 12 or ZB 12
(see Catalog 5)
UC-TMF 12, UCT-TMF 12 or ZBF 12
(see Catalog 5)

Modular terminal blocks - CLIPLINE complete

PT push-in connection terminal blocks

PT ...-QUATTRO feed-through terminal blocks with 4 connections

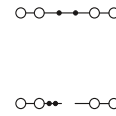


- These variants can therefore be used as compact power distributors
- Cross connection to any number of terminal blocks with the FBS ... continuous plug-in bridge system

Marker carriers

- Various marker carriers and adapters are available for all tasks relating to the marking of terminal blocks and terminal strips.

Notes:
For suitable marker carriers or adapters, see page 484.
1) The total current of all connected conductors must not exceed the max. load current.
2) For installation notes on the use of accessories for Ex e applications, see page 710.
3) The reducing bridge table should be followed, see page 476.



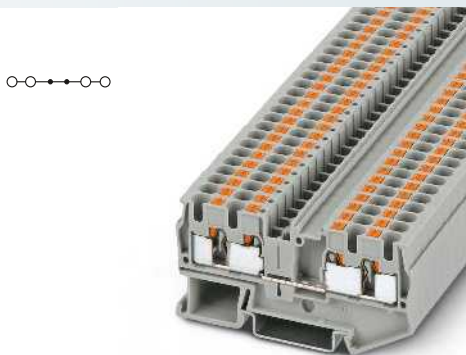
1.5 (1.5) mm², 17.5 A, feed-through terminal block, 4 connections



Dimensions		[mm]
Max. electrical data		
Rated data		
Rated voltage	[V]	500
Nominal current / cross section	[A] / [mm ²]	17.5 ¹⁾ / 1.5
Rated cross section	[mm ²]	1.5
Cross section range	AWG	26 - 16
Connection capacity		
1 conductor	[mm ²]	0.14 - 1.5
Two stranded conductors with a TWIN ferrule	[mm ²]	0.14 - 1.5
Direct plug-in connection cross sections	[mm ²]	0.25 - 1.5
General data		
Stripping length	[mm]	8
Insulating material		PA
Inflammability class according to UL 94		V0

Technical data				
Width	Length	Height NS 35/7,5		
3.5	63.2	32		
I _{max} [A]	U _{max} [V]	max. Ø [mm ²]	AWG	
17.5 ¹⁾	500	0.14 - 1.5	26 - 16	
IEC 60947-7-1				
IEC	UL/CUL	CSA	IEC/EN 60079-7	
500	600	600	-	
17.5 ¹⁾ / 1.5	15 / -	15 / -	-	
1.5	-	-	-	
26 - 16	26-14	26-14	-	
Connection capacity				
		Ferrule		
		Without / with plastic sleeve		
solid	stranded			
0.14 - 1.5	0.14 - 1.5	0.14 - 1.5	0.14 - 1	
0.25 - 1.5	-	0.34 - 1.5	0.34 - 1	
Ordering data				
Type	I _{max}	Order No.	Pcs. / Pkt.	
PT 1,5/S-QUATTRO		3208197	50	
PT 1,5/S-QUATTRO BU		3208208	50	
PT 1,5/S-QUATTRO-U		3208359	50	
Accessories²⁾				
D-PT 1,5/S-QUATTRO		3208375	50	
Reducing bridge³⁾				
		2	red	
		3	red	
		4	red	
		5	red	
		10	red	
		20	red	
Partition plate, 2 mm width				
		2	red	
Test adapter, 4-mm test socket hole				
			gray	
Test plug metal part, 2.3 mm Ø				
			red	
Insulating sleeve, for MPS metal part				
			red	
Modular test plug, for the individual assembly of test plug strips				
			red	
Screwdriver				
				SZF 0-0,4X2,5
				1204504
				10
Lateral groove labeling				
Center and lateral groove labeling				
				UCT-TM 3,5 or ZB 3,5 (see Catalog 5)
				UCT-TMF 3,5 or ZBF 3,5 (see Catalog 5)





2.5 (4) mm², 30 A, feed-through terminal block, 4 connections

4 (6) mm², 38 A, feed-through terminal block, 4 connections

6 (10) mm², 52 A, feed-through terminal block, 4 connections

UL, CE, PC, ABS, ClassNK, CB

Ex: IEC PTB 09ATEX1111U / IECEx PTB 10.0021U

UL, CE, PC, ABS, ClassNK, CB

Ex: IEC PTB 09ATEX1112U / IECEx PTB 10.0046U

UL

Technical data			
Width	Length	Height NS 35/7,5	
5.2	72.2	36.8	
I _{max} [A]	U _{max} [V]	max. Ø [mm ²]	AWG
30 ¹⁾	800	0.14 - 4	26 - 12
IEC 60947-7-1			
IEC	UL/CUL	CSA	IEC/EN 60079-7
800	600	600	550
24 ¹⁾ / 2.5	20 / -	20 / -	27
2.5	-	-	2.5
26 - 12	26-12	26-12	26 - 12
solid	stranded	Ferrule	
Without / with plastic sleeve			
0.14 - 4	0.14 - 2.5	0.14 - 2.5	0.14 - 2.5
0.5			
0.34 - 4	-	0.34 - 2.5	0.34 - 2.5
10	PA	V0	

Technical data			
Width	Length	Height NS 35/7,5	
6.2	77	36.5	
I _{max} [A]	U _{max} [V]	max. Ø [mm ²]	AWG
38 ¹⁾	800	0.2 - 6	24 - 10
IEC 60947-7-1			
IEC	UL/CUL	CSA	IEC/EN 60079-7
800	600	600	550
32 ¹⁾ / 4	30 / -	30 / -	28
4	-	-	4
24 - 10	24-10	24-10	24 - 10
solid	stranded	Ferrule	
Without / with plastic sleeve			
0.2 - 6	0.2 - 4	0.25 - 4	0.25 - 4
0.5 - 1			
0.5 - 6	-	0.5 - 4	0.5 - 4
12	PA	V0	

Technical data			
Width	Length	Height NS 35/7,5	
8.2	90.5	43.5	
I _{max} [A]	U _{max} [V]	max. Ø [mm ²]	AWG
52 ¹⁾	1000	0.5 - 10	20 - 8
IEC 60947-7-1			
IEC	UL/CUL	CSA	IEC/EN 60079-7
1000	600	-	-
41 ¹⁾ / 6	40 / -	-	-
6	-	-	-
20 - 8	20-8	-	-
solid	stranded	Ferrule	
Without / with plastic sleeve			
0.5 - 10	0.5 - 6	0.5 - 6	0.5 - 6
0.5 - 1.5			
1 - 10	-	1 - 6	1 - 6
12	PA	V0	

Ordering data			
Type	I _{max}	Order No.	Pcs. / Pkt.
PT 2,5-QUATTRO		3209578	50
PT 2,5-QUATTRO BU		3209581	50

Ordering data			
Type	I _{max}	Order No.	Pcs. / Pkt.
PT 4-QUATTRO		3211797	50
PT 4-QUATTRO BU		3211802	50

Ordering data			
Type	I _{max}	Order No.	Pcs. / Pkt.
PT 6-QUATTRO		3212934	50
PT 6-QUATTRO BU		3212947	50

Accessories ²⁾			
D-ST 2,5-QUATTRO		3030514	50
D-ST 2,5-QUATTRO-0,8 OG		3030513	50
DS-ST 2,5		3036602	10
ISH 2,5/0,2	3002843		50
ISH 2,5/0,5	3002856		50
ISH 2,5/1,0	3002869		50
FBS 2-5	24 A	3030161	50
FBS 3-5	24 A	3030174	50
FBS 4-5	24 A	3030187	50
FBS 5-5	24 A	3030190	50
FBS 10-5	24 A	3030213	10
FBS 20-5	24 A	3030226	10
ATP-ST QUATTRO		3030815	50
PAI-4-N GY		3032871	10
MPS-MT		0201744	10
MPS-IH RD		0201676	10
PS-5		3030983	10
SZF 1-0,6X3,5		1204517	10

Accessories ²⁾			
D-PT 4-QUATTRO		3208979	50
ISH 4/0,5	3002885		50
ISH 4/1,0	3002898		50
FBS 2-6	32 A	3030336	50
FBS 3-6	32 A	3030242	50
FBS 4-6	32 A	3030255	50
FBS 5-6	32 A	3030349	50
FBS 10-6	32 A	3030271	10
FBS 20-6	32 A	3030365	10
RB ST (2,5/4)-1,5/S		3214356	10
ATP-ST QUATTRO		3030815	50
PAI-4-N GY		3032871	10
MPS-MT		0201744	10
MPS-IH RD		0201676	10
PS-6		3030996	10
SZF 1-0,6X3,5		1204517	10

Accessories ²⁾			
D-PT 6-QUATTRO		3212963	10
FBS 2-8	24 A	3030284	10
FBS 3-8	24 A	3030297	10
FBS 4-8	24 A	3030307	10
FBS 5-8	24 A	3030310	10
FBS 10-8	24 A	3030323	10
RB ST 6-(2,5/4)		3030860	10
PAI-4-N GY		3032871	10
MPS-MT		0201744	10
MPS-IH RD		0201676	10
PS-8		3031005	10
SZF 2-0,8X4,0		1204520	10

UC-TM 5, UCT-TM 5 or ZB 5
(see Catalog 5)
UC-TMF 5, UCT-TMF 5 or ZBF 5
(see Catalog 5)

UC-TM 6, UCT-TM 6 or ZB 6
(see Catalog 5)
UC-TMF 6, UCT-TMF 6 or ZBF 6
(see Catalog 5)

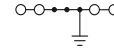
UC-TM 8, UCT-TM 8 or ZB 8
(see Catalog 5)
UC-TMF 8, UCT-TMF 8 or ZBF 8
(see Catalog 5)

PT push-in connection terminal blocks

PT ...-QUATTRO-PE ground terminal blocks with 4 connections

- Same shape and pitch as the feed-through terminal blocks
- Contact is made free from mechanical and electrical errors by simply snapping onto the DIN rail
- All the requirements of standard IEC 60947-7-2 are met

Notes:
For current carrying capacity of DIN rails, see page 716.
1) For installation notes on the use of accessories for Ex e applications, see page 710.



1.5 (1.5) mm², ground terminal block, 4 connections



Dimensions		
		[mm]
Max. electrical data		
Rated data		
Rated voltage	[V]	-
Nominal current / cross section	[A] / [mm ²]	- / -
Rated cross section	[mm ²]	1.5
Cross section range	AWG	26 - 16
Connection capacity		
1 conductor	[mm ²]	0.14 - 1.5
Two stranded conductors with a TWIN ferrule	[mm ²]	0.14 - 1.5
Direct plug-in connection cross sections	[mm ²]	0.25 - 1.5
General data		
Stripping length	[mm]	8
Insulating material		PA
Inflammability class according to UL 94		V0

Technical data				
Width	Length	Height NS 35/7,5		
3.5	63.2	32		
		max. Ø [mm ²]	AWG	
		0.14 - 1.5	26 - 16	
IEC 60947-7-2				
IEC	UL/CUL	CSA	IEC/EN 60079-7	
-	-	-	-	
-	-	-	-	
1.5	-	-	-	
26 - 16	26-14	26-14	-	
Connection capacity		Ferrule		
		Without / with plastic sleeve		
1 conductor	[mm ²]	0.14 - 1.5	0.14 - 1.5	0.14 - 1
Two stranded conductors with a TWIN ferrule	[mm ²]	0.14 - 1.5	0.14 - 1.5	0.14 - 1
Direct plug-in connection cross sections	[mm ²]	0.25 - 1.5	-	0.34 - 1.5
				0.34 - 1
General data				
Stripping length	[mm]	8		
Insulating material		PA		
Inflammability class according to UL 94		V0		

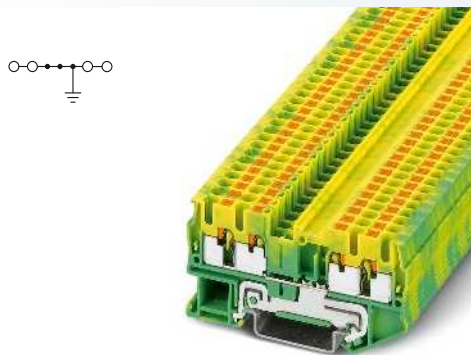
Description	No. of pos.	Color
Ground terminal block, for mounting on NS 35...		green-yellow

Ordering data		
Type	Order No.	Pcs. / Pkt.
PT 1,5/S-QUATTRO-PE	3208333	50

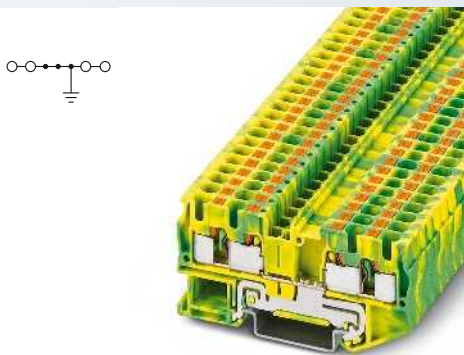
Cover , width 2.2 mm		gray
Cover , 0.8 mm width		orange
End cover segment , for covering multi-conductor terminal blocks when two-conductor terminal blocks are aligned		gray
Insulation stop sleeve , cross section range:		
0.08 - 0.2 mm ²		white
0.25 - 0.5 mm ²		gray
0.75 - 1 mm ²		black
Plug-in bridge		
	2	red
	3	red
	4	red
	5	red
	10	red
	20	red
Partition plate , 2 mm width		gray
Test adapter , 4-mm test socket hole		gray
Test plug metal part , 2.3 mm Ø		
Insulating sleeve , for MPS metal part		red
Modular test plug , for the individual assembly of test plug strips		red
Screwdriver		

Accessories ¹⁾		
Type	Order No.	Pcs. / Pkt.
D-PT 1,5/S-QUATTRO	3208375	50
FBS 2-3,5	3213014	50
FBS 3-3,5	3213027	50
FBS 4-3,5	3213030	50
FBS 5-3,5	3213043	50
FBS 10-3,5	3213056	50
FBS 20-3,5	3213069	50
ATP-ST QUATTRO	3030815	50
MPS-MT	0201744	10
MPS-IH RD	0201676	10
SZF 0-0,4X2,5	1204504	10

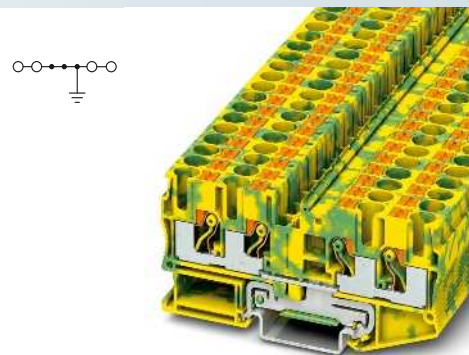
Center groove labeling	UCT-TM 3,5 or ZB 3,5 (see Catalog 5)
Center and lateral groove labeling	UCT-TMF 3,5 or ZBF 3,5 (see Catalog 5)



2.5 (4) mm², ground terminal block,
4 connections



4 (6) mm², ground terminal block,
4 connections



6 (10) mm², ground terminal block,
4 connections

UL US, ABS, ClassNK

Ex: IEC, PA, V0
PTB 09ATEX1111U / IECEx PTB 10.0021U

UL US, ABS, ClassNK

Ex: IEC, PA, V0
PTB 09ATEX1112U / IECEx PTB 10.0046U

UL US

Technical data			
Width	Length	Height NS 35/7,5	
5.2	72.2	36.8	
		max. Ø [mm ²]	AWG
		0.14 - 4	26 - 12
IEC 60947-7-2			
IEC	UL/CUL	CSA	IEC/EN 60079-7
-	- / -	-	-
2.5	-	-	2.5
26 - 12	26-12	26-12	26 - 12
solid	stranded	Ferrule	
		Without / with plastic sleeve	
0.14 - 4	0.14 - 2.5	0.14 - 2.5	0.14 - 2.5
		0.5	
0.34 - 4	-	0.34 - 2.5	0.34 - 2.5
10	PA	V0	

Technical data			
Width	Length	Height NS 35/7,5	
6.2	77	36.5	
		max. Ø [mm ²]	AWG
		0.2 - 6	24 - 10
IEC 60947-7-2			
IEC	UL/CUL	CSA	IEC/EN 60079-7
-	- / -	-	-
4	-	-	4
24 - 10	24-10	24-10	24 - 10
solid	stranded	Ferrule	
		Without / with plastic sleeve	
0.2 - 6	0.2 - 4	0.25 - 4	0.25 - 4
		0.5 - 1	
0.5 - 6	-	0.5 - 4	0.5 - 4
12	PA	V0	

Technical data			
Width	Length	Height NS 35/7,5	
8.2	90.5	43.5	
		max. Ø [mm ²]	AWG
		0.5 - 10	20 - 8
IEC 60947-7-2			
IEC	UL/CUL	CSA	IEC/EN 60079-7
-	- / -	-	-
6	-	-	-
20 - 8	20-8	-	-
solid	stranded	Ferrule	
		Without / with plastic sleeve	
0.5 - 10	0.5 - 6	0.5 - 6	0.5 - 6
		0.5 - 1.5	
1 - 10	-	1 - 6	1 - 6
12	PA	V0	

Ordering data		
Type	Order No.	Pcs. / Pkt.
PT 2,5-QUATTRO-PE	3209594	50

Ordering data		
Type	Order No.	Pcs. / Pkt.
PT 4-QUATTRO-PE	3211809	50

Ordering data		
Type	Order No.	Pcs. / Pkt.
PT 6-QUATTRO-PE	3212950	50

Accessories ¹⁾		
D-ST 2,5-QUATTRO	3030514	50
D-ST 2,5-QUATTRO-0,8 OG	3030513	50
DS-ST 2,5	3036602	10
ISH 2,5/0,2	3002843	50
ISH 2,5/0,5	3002856	50
ISH 2,5/1,0	3002869	50
FBS 2-5	3030161	50
FBS 3-5	3030174	50
FBS 4-5	3030187	50
FBS 5-5	3030190	50
FBS 10-5	3030213	10
FBS 20-5	3030226	10
ATP-ST QUATTRO	3030815	50
PAI-4-N GY	3032871	10
MPS-MT	0201744	10
MPS-IH RD	0201676	10
PS-5	3030983	10
SZF 1-0,6X3,5	1204517	10

Accessories ¹⁾		
D-PT 4-QUATTRO	3208979	50
ISH 4/0,5	3002885	50
ISH 4/1,0	3002898	50
FBS 2-6	3030336	50
FBS 3-6	3030242	50
FBS 4-6	3030255	50
FBS 5-6	3030349	50
FBS 10-6	3030271	10
FBS 20-6	3030365	10
ATP-ST QUATTRO	3030815	50
PAI-4-N GY	3032871	10
MPS-MT	0201744	10
MPS-IH RD	0201676	10
PS-6	3030996	10
SZF 1-0,6X3,5	1204517	10

Accessories ¹⁾		
D-PT 6-QUATTRO	3212963	10
FBS 2-8	3030284	10
FBS 3-8	3030297	10
FBS 4-8	3030307	10
FBS 5-8	3030310	10
FBS 10-8	3030323	10
PAI-4-N GY	3032871	10
MPS-MT	0201744	10
MPS-IH RD	0201676	10
PS-8	3031005	10
SZF 2-0,8X4,0	1204520	10

UC-TM 5, UCT-TM 5 or ZB 5
(see Catalog 5)
UC-TMF 5, UCT-TMF 5 or ZBF 5
(see Catalog 5)

UC-TM 6, UCT-TM 6 or ZB 6
(see Catalog 5)
UC-TMF 6, UCT-TMF 6 or ZBF 6
(see Catalog 5)

UC-TM 8, UCT-TM 8 or ZB 8
(see Catalog 5)
UC-TMF 8, UCT-TMF 8 or ZBF 8
(see Catalog 5)

Modular terminal blocks - CLIPLINE complete

PT push-in connection terminal blocks

PTTB ... double-level terminal blocks



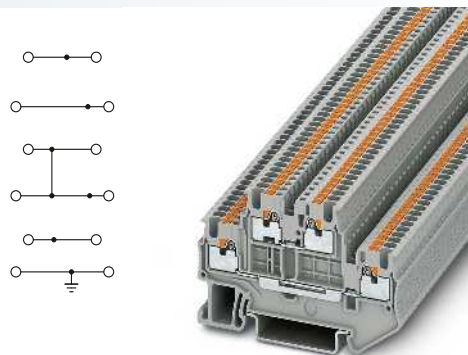
- Compact design for maximum space saving
- Integrated labeling areas on every terminal point
- Optional, large labeling option using STP ... double marker carriers
- Link the levels to the FBS ...-PV bridges

PTTB 4-L 1000V

The feed-through terminal block has been developed for IEC or UL applications up to 1000 V, such as wind power plants

- Compact design
- Tests can be carried out in function shaft
- Large labeling option

Notes:
Meaning of the product code: ...-L/N = lower level gray, upper level blue ...-PE/L = lower level with PE foot, upper level gray ...-PE/N = lower level with PE foot, upper level blue
1) The total current of all connected conductors must not exceed the max. load current.
2) For installation notes on the use of accessories for Ex e applications, see page 710.



1.5 (1.5) mm², 16 A, double-level terminal block, 4 connections

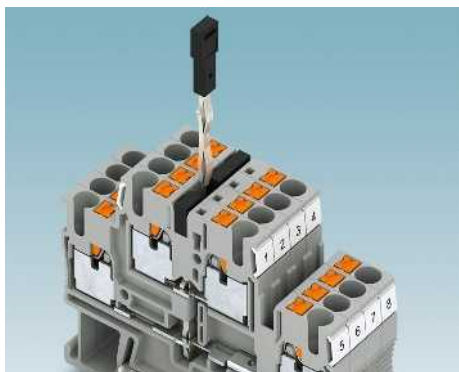


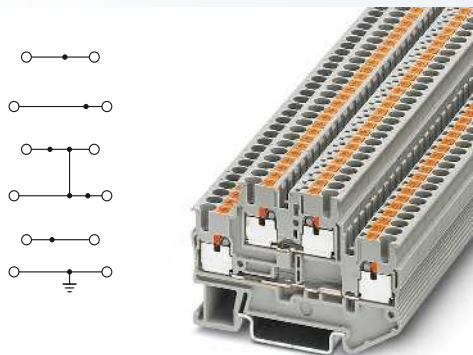
Dimensions		[mm]	
Max. electrical data			
I_{max} [A]	U_{max} [V]	max. Ø [mm ²]	AWG
16	500	0.14 - 1.5	26 - 14
IEC 60947-7-1			
Rated data			
Rated voltage	[V]	500	600
Nominal current / cross section	[A] / [mm ²]	16 / 1.5	15 / -
Rated cross section	[mm ²]	1.5	-
Cross section range	AWG	26 - 14	26-14
Connection capacity			
1 conductor	[mm ²]	0.14 - 1.5	0.14 - 1.5
Two stranded conductors with a TWIN ferrule	[mm ²]		
Direct plug-in connection cross sections	[mm ²]	0.25 - 1.5	-
General data			
Stripping length	[mm]	8	
Insulating material		PA	
Inflammability class according to UL 94		V0	

Technical data				
Width	Length	Height NS 35/7,5		
3.5	65.4	42.6		
I_{max} [A]	U_{max} [V]	max. Ø [mm ²]	AWG	
16	500	0.14 - 1.5	26 - 14	
IEC 60947-7-1				
IEC	UL/CUL	CSA	IEC/EN 60079-7	
500	600	600	-	
16 / 1.5	15 / -	15 / -	-	
1.5	-	-	-	
26 - 14	26-14	26-14	-	
Connection capacity				
solid	stranded	Ferrule		
		Without / with plastic sleeve		
0.14 - 1.5	0.14 - 1.5	0.14 - 1.5	0.14 - 1	
0.25 - 1.5	-	0.34 - 1.5	0.34 - 1	
Ordering data				
Type	I_{max}	Order No.	Pcs. / Pkt.	
PTTB 1,5/S		3208511	50	
PTTB 1,5/S BU		3208524	50	
PTTB 1,5/S-L/N		3208544	50	
PTTB 1,5/S-PE/L		3208553	50	
PTTB 1,5/S-PE/N		3208566	50	
PTTB 1,5/S-PV		3208540	50	
Accessories²⁾				
D-PTTB 1,5/S		3208579	50	
FBS 2-3,5	17.5 A	3213014	50	
FBS 3-3,5	17.5 A	3213027	50	
FBS 4-3,5	17.5 A	3213030	50	
FBS 5-3,5	17.5 A	3213043	50	
FBS 10-3,5	17.5 A	3213056	50	
FBS 20-3,5	17.5 A	3213069	50	
FBS 1,5/S-PV		3216263	10	
ATP-STTB 4		3030747	50	
MPS-MT		0201744	10	
MPS-IH RD		0201676	10	
STP 3,5-2		0830131	100	
SZF 0-0,4X2,5		1204504	10	
UCT-TMF 3,5 or ZBF 3,5 (see Catalog 5)				

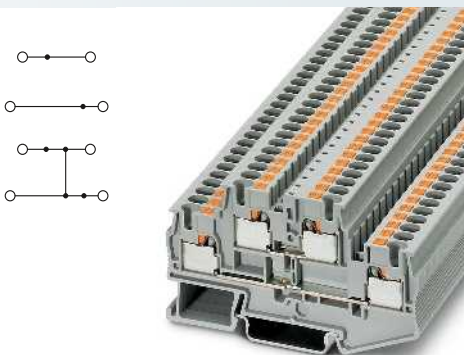
Description	No. of pos.	Color
Terminal block , for mounting on NS 35...		gray
		blue
		gray
		gray
		gray
Terminal block , with equipotential bonder, for mounting on NS 35... ¹⁾		gray

Cover , width 2.2 mm		gray
Plug-in bridge		
	2	red
	3	red
	4	red
	5	red
	10	red
	20	red
Vertical potential bridge , to connect the upper and lower level		black
Partition plate , 2 mm width		gray
Test adapter , 4-mm test socket hole		gray
Test plug metal part , 2.3 mm Ø		
Insulating sleeve , for MPS metal part		red
Modular test plug , for the individual assembly of test plug strips		red
Double marker carrier , can be snapped into PTTB 1,5/S push-in double-level terminal blocks can be labeled with ZB 3,5 or ZBF 3,5		gray
Screwdriver		
Lateral groove labeling		

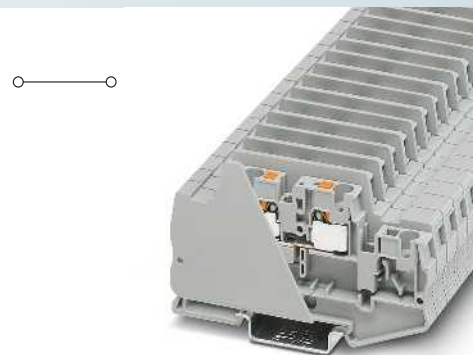




2.5 (4) mm², 24 A, double-level terminal block, 4 connections



4 (6) mm², 32 A, double-level terminal block, 4 connections



4 (6) mm², 38 A, 1000 V, feed-through terminal block, 2 connections

UL US PC CE ABS R ClassNK CB

Ex: Ex Ex Ex Ex
PTB 09ATEX1111U / IECEx PTB 10.0021U

UL US PC CE ABS R ClassNK CB

Ex: Ex Ex Ex Ex
PTB 09ATEX1112U / IECEx PTB 10.0046U

UL US

Technical data			
Width	Length	Height NS 35/7,5	
5.2	68	47.5	
I_{max} [A]	U_{max} [V]	max. Ø [mm ²]	AWG
26	500	0.14 - 4	26 - 12
IEC 60947-7-1			
IEC	UL/CUL	CSA	IEC/EN 60079-7
500	600	600	440
22 / 2.5	20 / -	20 / -	24
2.5	-	-	2.5
26 - 12	26-12	26-12	26 - 12
solid	stranded	Ferrule	
		Without / with plastic sleeve	
0.14 - 4	0.14 - 2.5	0.14 - 2.5	0.14 - 2.5
		0.5	
0.34 - 4	-	0.34 - 2.5	0.34 - 2.5
10			
PA			
V0			

Technical data			
Width	Length	Height NS 35/7,5	
6.2	83.5	47.5	
I_{max} [A]	U_{max} [V]	max. Ø [mm ²]	AWG
32	500	0.2 - 6	24 - 10
IEC 60947-7-1			
IEC	UL/CUL	CSA	IEC/EN 60079-7
500	600	600	440
28 / 4	28 / -	30 / -	23.5
4	-	-	4
24 - 10	24-10	24-10	24 - 10
solid	stranded	Ferrule	
		Without / with plastic sleeve	
0.2 - 6	0.2 - 4	0.25 - 4	0.25 - 4
		0.5 - 1	
0.5 - 6	-	0.5 - 4	0.5 - 4
12			
PA			
V0			

Technical data			
Width	Length	Height NS 35/7,5	
8.2	83.5	47.5	
I_{max} [A]	U_{max} [V]	max. Ø [mm ²]	AWG
38	1000	0.2 - 6	24 - 10
IEC 60947-7-1			
IEC	UL/CUL	CSA	IEC/EN 60079-7
1000	1000	1000	-
32 / 4	30 / -	-	-
4	-	-	-
24 - 10	24-10	-	-
solid	stranded	Ferrule	
		Without / with plastic sleeve	
0.2 - 6	0.2 - 4	0.25 - 4	0.25 - 4
		0.5 - 1	
0.5 - 6	-	0.5 - 4	0.5 - 4
12			
PA			
V0			

Ordering data			
Type	I_{max}	Order No.	Pcs. / Pkt.
PTTB 2,5		3210567	50
PTTB 2,5 BU		3210570	50
PTTB 2,5-L/N		3210994	50
PTTB 2,5-PE/L		3210978	50
PTTB 2,5-PE/N		3210981	50
PTTB 2,5-PV		3210583	50

Ordering data			
Type	I_{max}	Order No.	Pcs. / Pkt.
PTTB 4		3211786	50
PTTB 4 BU		3211793	50
PTTB 4-PV		3211825	50

Ordering data			
Type	I_{max}	Order No.	Pcs. / Pkt.
PTTB 4-L 1000V		3062744	50

Accessories ²⁾			
D-PTTB 2,5		3211634	50
FBS 2-5	20 A	3030161	50
FBS 3-5	20 A	3030174	50
FBS 4-5	20 A	3030187	50
FBS 5-5	20 A	3030190	50
FBS 10-5	20 A	3030213	10
FBS 20-5	20 A	3030226	10
FBS-PV		3032185	50
ATP-STTB 4		3030747	50
PAI-4-N GY		3032871	10
MPS-MT		0201744	10
MPS-IH RD		0201676	10
PS-5		3030983	10
STP 5-2		0800967	100
SZF 1-0,6X3,5		1204517	10

Accessories ²⁾			
D-STTB 4		3030462	50
FBS 2-6	26 A	3030336	50
FBS 3-6	26 A	3030242	50
FBS 4-6	26 A	3030255	50
FBS 5-6	26 A	3030349	50
FBS 10-6	26 A	3030271	10
FBS 20-6	26 A	3030365	10
FBS-PV		3032185	50
ATP-STTB 4		3030747	50
PAI-4-N GY		3032871	10
MPS-MT		0201744	10
MPS-IH RD		0201676	10
PS-6		3030996	10
STP 5-2		0800967	100
SZF 1-0,6X3,5		1204517	10

Accessories ²⁾			
ATP-STTB 4		3030747	50
PAI-4-N GY		3032871	10
MPS-MT		0201744	10
MPS-IH RD		0201676	10
PS-8		3031005	10
STP 5-2		0800967	100
SZF 1-0,6X3,5		1204517	10

UC-TMF 5, UCT-TMF 5 or ZBF 5 (see Catalog 5)

UC-TMF 6, UCT-TMF 6 or ZBF 6 (see Catalog 5)

UC-TMF 8, UCT-TMF 8 or ZBF 8 (see Catalog 5)

Modular terminal blocks - CLIPLINE complete

PT push-in connection terminal blocks

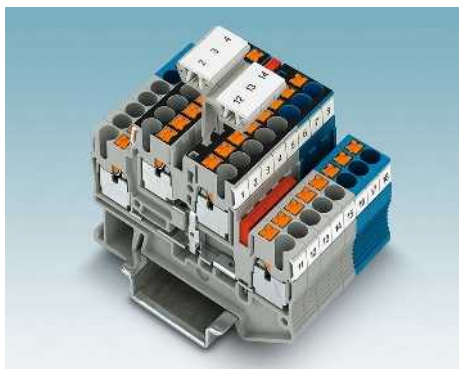
PTTB ...-PE double-level ground terminal blocks



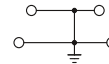
- Same shape and pitch as the feed-through terminal blocks
- Contact is made free from mechanical and electrical errors by simply snapping onto the DIN rail
- All the requirements of standard IEC 60947-7-2 are met

STP ... double marker carriers

- Optional, large labeling option using STP... double marker carriers



Notes:
For current carrying capacity of DIN rails, see page 716.
1) For installation notes on the use of accessories for Ex e applications, see page 710.



1.5 (1.5) mm², double-level ground terminal block



Dimensions			
		[mm]	
Max. electrical data			
Rated data			
Rated voltage	[V]	-	-
Nominal current / cross section	[A] / [mm ²]	-	-
Rated cross section	[mm ²]	1.5	-
Cross section range	AWG	26 - 14	26-14
Connection capacity			
1 conductor	[mm ²]	0.14 - 1.5	0.14 - 1.5
Two stranded conductors with a TWIN ferrule	[mm ²]	0.25 - 1.5	-
Direct plug-in connection cross sections	[mm ²]		0.34 - 1.5
General data			
Stripping length	[mm]	8	
Insulating material		PA	
Inflammability class according to UL 94		V0	

Technical data				
Width	Length	Height NS 35/7,5		
3.5	65.4	42.6		
		max. Ø [mm ²]	AWG	
		0.14 - 1.5	26 - 14	
IEC 60947-7-2				
IEC	UL/CUL	CSA	IEC/EN 60079-7	
-	-	-	-	
-	-/-	-	-	
1.5	-	-	-	
26 - 14	26-14	26-14	-	
Connection capacity			Ferrule	
solid	stranded		Without / with plastic sleeve	
0.14 - 1.5	0.14 - 1.5	0.14 - 1.5	0.14 - 1	
0.25 - 1.5	-	0.34 - 1.5	0.34 - 1	

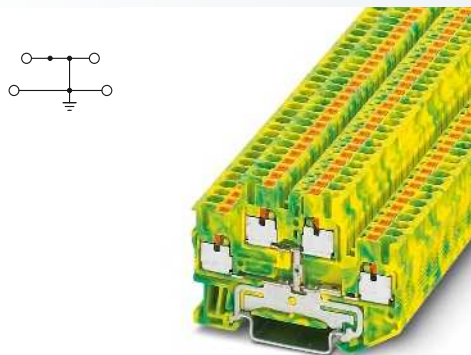
Description	No. of pos.	Color
Ground terminal block, for mounting on NS 35...		green-yellow

Ordering data		
Type	Order No.	Pcs. / Pkt.
PTTB 1,5/S-PE	3208537	50

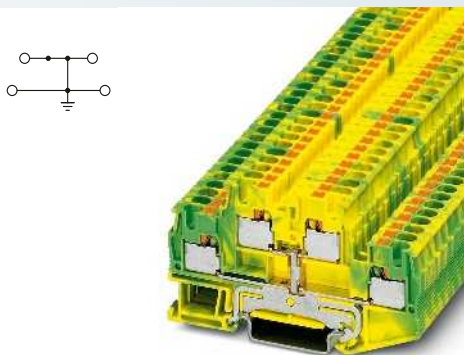
Cover, width 2.2 mm		gray
Insulation stop sleeve, cross section range:		
0.08 - 0.2 mm ²		white
0.25 - 0.5 mm ²		gray
0.75 - 1 mm ²		black
Plug-in bridge		
	2	red
	3	red
	4	red
	5	red
	10	red
	20	red
Partition plate, 2 mm width		gray
Test adapter, 4-mm test socket hole		gray
Test plug metal part, 2.3 mm Ø		
Insulating sleeve, for MPS metal part		red
Modular test plug, for the individual assembly of test plug strips		red
Double marker carrier, can be snapped into PTTB 1,5/S push-in double-level terminal blocks can be labeled with ZB 3,5 or ZBF 3,5		gray

Accessories ¹⁾		
Type	Order No.	Pcs. / Pkt.
D-PTTB 1,5/S	3208579	50
FBS 2-3,5	3213014	50
FBS 3-3,5	3213027	50
FBS 4-3,5	3213030	50
FBS 5-3,5	3213043	50
FBS 10-3,5	3213056	50
FBS 20-3,5	3213069	50
ATP-STTB 4	3030747	50
MPS-MT	0201744	10
MPS-IH RD	0201676	10
STP 3,5-2	0830131	100
SZF 0-0,4X2,5	1204504	10
UCT-TMF 3,5 or ZBF 3,5 (see Catalog 5)		

Screwdriver
Lateral groove labeling



2.5 (4) mm², double-level ground terminal block



4 (6) mm², double-level ground terminal block

UL US PC ABS ClassNK

Ex: IEC PTB 09ATEX1111U / IECEx PTB 10.0021U

UL US PC ABS ClassNK

Ex: IEC PTB 09ATEX1112U / IECEx PTB 10.0046U

Technical data			
Width	Length	Height NS 35/7,5	
5.2	68	47.5	
		max. Ø [mm ²]	AWG
		0.14 - 4	26 - 12
IEC 60947-7-2			
IEC	UL/CUL	CSA	IEC/ EN 60079-7
-	-	-	-
-	- / -	-	-
2.5	-	-	2.5
26 - 12	26-12	26-12	26 - 12
solid	stranded	Ferrule	
		Without / with plastic sleeve	
0.14 - 4	0.14 - 2.5	0.14 - 2.5	0.14 - 2.5
			0.5
0.34 - 4	-	0.34 - 2.5	0.34 - 2.5
10			
PA			
V0			

Technical data			
Width	Length	Height NS 35/7,5	
6.2	83.5	47.5	
		max. Ø [mm ²]	AWG
		0.2 - 6	24 - 10
IEC 60947-7-2			
IEC	UL/CUL	CSA	IEC/ EN 60079-7
-	-	-	-
-	- / -	-	-
4	-	-	4
24 - 10	24-10	24-10	24 - 10
solid	stranded	Ferrule	
		Without / with plastic sleeve	
0.2 - 6	0.2 - 4	0.25 - 4	0.25 - 4
			0.5 - 1
0.5 - 6	-	0.5 - 4	0.5 - 4
12			
PA			
V0			

Ordering data		
Type	Order No.	Pcs. / Pkt.
PTTB 2,5-PE	3210596	50

Ordering data		
Type	Order No.	Pcs. / Pkt.
PTTB 4-PE	3211854	50

Accessories ¹⁾		
D-PTTB 2,5	3211634	50
ISH 2,5/0,2	3002843	50
ISH 2,5/0,5	3002856	50
ISH 2,5/1,0	3002869	50
FBS 2-5	3030161	50
FBS 3-5	3030174	50
FBS 4-5	3030187	50
FBS 5-5	3030190	50
FBS 10-5	3030213	10
FBS 20-5	3030226	10
ATP-STTB 4	3030747	50
PAI-4-N GY	3032871	10
MPS-MT	0201744	10
MPS-IH RD	0201676	10
PS-5	3030983	10
STP 5-2	0800967	100
SZF 1-0,6X3,5	1204517	10

Accessories ¹⁾		
D-STTB 4	3030462	50
ISH 4/0,5	3002885	50
ISH 4/1,0	3002898	50
FBS 2-6	3030336	50
FBS 3-6	3030242	50
FBS 4-6	3030255	50
FBS 5-6	3030349	50
FBS 10-6	3030271	10
FBS 20-6	3030365	10
ATP-STTB 4	3030747	50
PAI-4-N GY	3032871	10
MPS-MT	0201744	10
MPS-IH RD	0201676	10
PS-6	3030996	10
STP 5-2	0800967	100
SZF 1-0,6X3,5	1204517	10

UC-TMF 5, UCT-TMF 5 or ZBF 5 (see Catalog 5)

UC-TMF 6, UCT-TMF 6 or ZBF 6 (see Catalog 5)

Modular terminal blocks - CLIPLINE complete

PT push-in connection terminal blocks

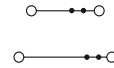
PTTBS ... desk-design double-level terminal blocks



- The angled push-in double-level terminal blocks in desk design are characterized by:
- Two bridge shafts on both levels for all potential distribution tasks
 - Two large-surface labeling options
 - The different heights of the marking grooves makes it easy to see to which level the labeling belongs
 - Potential bridging of levels using the **FBS-PV** vertical potential bridge

CLIP PROJECT Planning enables the quick and convenient planning and configuration of fault-free terminal strips.

Notes:
For current carrying capacity of DIN rails, see page 716.
1) The total current of all connected conductors must not exceed the max. load current.



2.5 (4) mm², 24 A, double-level terminal block



Dimensions	[mm]
Max. electrical data	
Rated data	
Rated voltage	[V]
Nominal current / cross section	[A] / [mm ²]
Rated cross section	[mm ²]
Cross section range	AWG
Connection capacity	
1 conductor	[mm ²]
Two stranded conductors with a TWIN ferrule	[mm ²]
Direct plug-in connection cross sections	[mm ²]
General data	
Stripping length	[mm]
Insulating material	
Inflammability class according to UL 94	

Technical data				
Width	Length	Height NS 35/7,5		
5.2	78	55		
I _{max} [A]	U _{max} [V]	max. Ø [mm ²]	AWG	
24	500	0.14 - 4	26 - 12	
IEC 60947-7-1				
IEC	UL/CUL	CSA	IEC/EN 60079-7	
Rated voltage	600	600	-	
Nominal current / cross section	22 / 2.5	20 / -	20 / -	
Rated cross section	2.5	-	-	
Cross section range	26 - 12	26-12	26-12	
Connection capacity	solid	stranded	Ferrule	
			Without / with plastic sleeve	
1 conductor	0.14 - 4	0.14 - 2.5	0.14 - 2.5	0.14 - 2.5
Two stranded conductors with a TWIN ferrule	-	-	-	0.5
Direct plug-in connection cross sections	0.34 - 4	-	0.34 - 2.5	0.34 - 2.5
General data				
Stripping length	10			
Insulating material	PA			
Inflammability class according to UL 94	V0			

Description	No. of pos.	Color
Terminal block , for mounting on NS 35...		gray blue gray
Terminal block , with equipotential bonder, for mounting on NS 35... ¹⁾		gray
Ground terminal block , for mounting on NS 35...		green-yellow

Ordering data			
Type	I _{max}	Order No.	Pcs. / Pkt.
PTTBS 2,5		3209604	50
PTTBS 2,5 BU		3209617	50

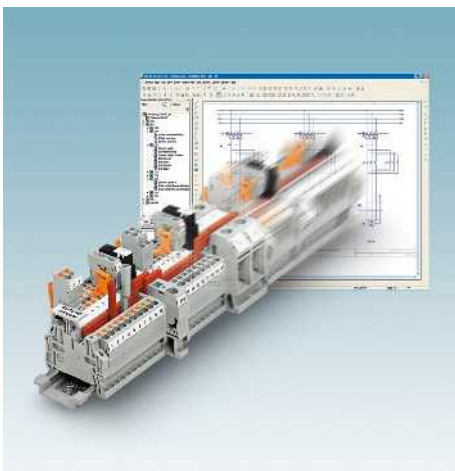
Cover , width 2.2 mm		gray
Insulation stop sleeve , cross section range:		
0.08 - 0.2 mm ²		white
0.25 - 0.5 mm ²		gray
0.75 - 1 mm ²		black
Plug-in bridge		
	2	red
	3	red
	4	red
	5	red
	10	red
	20	red

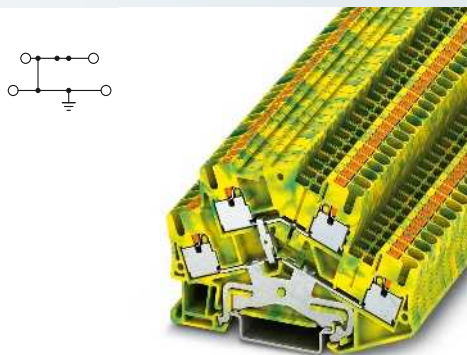
Accessories			
D-STTBS 2,5		3038503	50
ISH 2,5/0,2		3002843	50
ISH 2,5/0,5		3002856	50
ISH 2,5/1,0		3002869	50
FBS 2-5	20 A	3030161	50
FBS 3-5	20 A	3030174	50
FBS 4-5	20 A	3030187	50
FBS 5-5	20 A	3030190	50
FBS 10-5	20 A	3030213	10
FBS 20-5	20 A	3030226	10

Vertical potential bridge , to connect the upper and lower level		black
Partition plate , 2 mm width		gray
Test adapter , 4-mm test socket hole		gray
Test plug metal part , 2.3 mm Ø		
Insulating sleeve , for MPS metal part		red
Modular test plug , for the individual assembly of test plug strips		red

FBS-PV		3032185	50
ATP-STTB 4		3030747	50
PAI-4-N GY		3032871	10
MPS-MT		0201744	10
MPS-IH RD		0201676	10
PS-5		3030983	10

Screwdriver		SZF 1-0,6X3,5	1204517	10
Center groove labeling		UC-TM 5, UCT-TM 5 or ZB 5 (see Catalog 5)		





2.5 (4) mm², 26 A, double-level terminal block, internally connected levels

2.5 (4) mm², double-level ground terminal block



Technical data			
Width	Length	Height NS 35/7,5	
5.2	78	55	
I_{max} [A]	U_{max} [V]	max. Ø [mm ²]	AWG
26*)	500	0.14 - 4	26 - 12
IEC 60947-7-1			
IEC	UL/CUL	CSA	IEC/EN 60079-7
500	600	600	-
22*) / 2.5	20 / -	20 / -	-
2.5	-	-	-
26 - 12	26-12	26-12	-
solid	stranded	Ferrule	
Without / with plastic sleeve			
0.14 - 4	0.14 - 2.5	0.14 - 2.5	0.14 - 2.5
			0.5
0.34 - 4	-	0.34 - 2.5	0.34 - 2.5
10	PA	V0	

Technical data			
Width	Length	Height NS 35/7,5	
5.2	78	55	
I_{max} [A]	U_{max} [V]	max. Ø [mm ²]	AWG
26*)	500	0.14 - 4	26 - 12
IEC 60947-7-2			
IEC	UL/CUL	CSA	IEC/EN 60079-7
-	-	-	-
-	- / -	-	-
2.5	-	-	-
26 - 12	26-12	26-12	-
solid	stranded	Ferrule	
Without / with plastic sleeve			
0.14 - 4	0.14 - 2.5	0.14 - 2.5	0.14 - 2.5
			0.5
0.34 - 4	-	0.34 - 2.5	0.34 - 2.5
10	PA	V0	

Ordering data			
Type	I_{max}	Order No.	Pcs. / Pkt.
PTTBS 2,5-PV		3210211	50

Ordering data			
Type	I_{max}	Order No.	Pcs. / Pkt.
PTTBS 2,5-PE		3209620	50

Accessories			
D-STTBS 2,5		3038503	50
ISH 2,5/0,2		3002843	50
ISH 2,5/0,5		3002856	50
ISH 2,5/1,0		3002869	50
FBS 2-5	20 A	3030161	50
FBS 3-5	20 A	3030174	50
FBS 4-5	20 A	3030187	50
FBS 5-5	20 A	3030190	50
FBS 10-5	20 A	3030213	10
FBS 20-5	20 A	3030226	10
ATP-STTB 4		3030747	50
PAI-4-N GY		3032871	10
MPS-MT		0201744	10
MPS-IH RD		0201676	10
PS-5		3030983	10
SZF 1-0,6X3,5		1204517	10

Accessories			
D-STTBS 2,5		3038503	50
ISH 2,5/0,2		3002843	50
ISH 2,5/0,5		3002856	50
ISH 2,5/1,0		3002869	50
FBS 2-5		3030161	50
FBS 3-5		3030174	50
FBS 4-5		3030187	50
FBS 5-5		3030190	50
FBS 10-5		3030213	10
FBS 20-5		3030226	10
ATP-STTB 4		3030747	50
PAI-4-N GY		3032871	10
MPS-MT		0201744	10
MPS-IH RD		0201676	10
PS-5		3030983	10
SZF 1-0,6X3,5		1204517	10

UC-TM 5, UCT-TM 5 or ZB 5 (see Catalog 5)

UC-TM 5, UCT-TM 5 or ZB 5 (see Catalog 5)

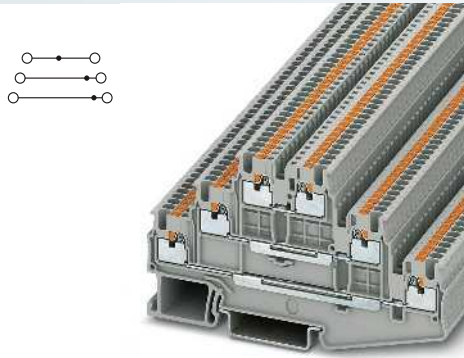
Modular terminal blocks - CLIPLINE complete

PT push-in connection terminal blocks

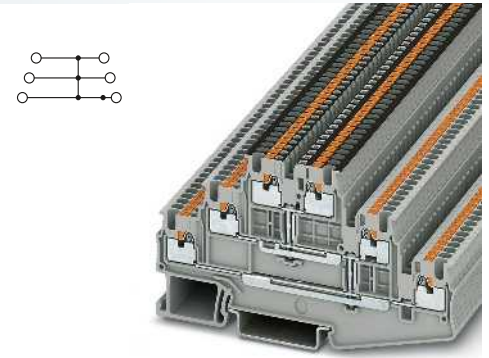
PT 1,5/S-... three-level terminal blocks

- 3.5 mm design width
- Function shafts on all levels
- Integrated labeling areas on every terminal point
- The ...PE/L/L and ...PE/L/N terminal block types offer clear and unambiguous assignment through the use of color coding of the housing surfaces

Notes:
For current carrying capacity of DIN rails, see page 716.
1) The total current of all connected conductors must not exceed the max. load current.



1.5 (1.5) mm², 15 A, three-level terminal block



1.5 (1.5) mm², 15 A, three-level terminal block, internally connected levels



Dimensions		[mm]
Max. electrical data		
Rated voltage	[V]	500
Nominal current / cross section	[A] / [mm ²]	15 / 1.5
Rated cross section	[mm ²]	1.5
Cross section range	AWG	26 - 16
Connection capacity		
1 conductor	[mm ²]	0.14 - 1.5
Two stranded conductors with a TWIN ferrule	[mm ²]	0.14 - 1.5
Direct plug-in connection cross sections	[mm ²]	0.25 - 1.5
General data		
Stripping length	[mm]	8
Insulating material		PA
Inflammability class according to UL 94		V0

Technical data				
Width	Length	Height NS 35/7,5		
3.5	97.2	53.2		
I _{max} [A]	U _{max} [V]	max. Ø [mm ²]	AWG	
15	500	0.14 - 1.5	26 - 16	
IEC 60947-7-1				
IEC	UL/CUL	CSA	IEC/EN 60079-7	
500	600	600	-	
15 ¹⁾ / 1.5	15 / -	15 / -	-	
1.5	-	-	-	
26 - 16	26-14	26-14	-	
solid				
stranded				
Without / with plastic sleeve				
0.14 - 1.5	0.14 - 1.5	0.14 - 1.5	0.14 - 1	
0.25 - 1.5	-	0.34 - 1.5	0.34 - 1	
8				
PA				
V0				

Technical data				
Width	Length	Height NS 35/7,5		
3.5	97.2	53.2		
I _{max} [A]	U _{max} [V]	max. Ø [mm ²]	AWG	
15 ¹⁾	500	0.14 - 1.5	26 - 16	
IEC 60947-7-1				
IEC	UL/CUL	CSA	IEC/EN 60079-7	
500	600	600	-	
15 ¹⁾ / 1.5	15 / -	15 / -	-	
1.5	-	-	-	
26 - 16	26-14	26-14	-	
solid				
stranded				
Without / with plastic sleeve				
0.14 - 1.5	0.14 - 1.5	0.14 - 1.5	0.14 - 1	
0.25 - 1.5	-	0.34 - 1.5	0.34 - 1	
8				
PA				
V0				

Description	No. of pos.	Color
Terminal block, for mounting on NS 35...		gray
Terminal block, with equipotential bond, for mounting on NS 35...		blue
Ground terminal block, for mounting on NS 35...		gray
		green-yellow

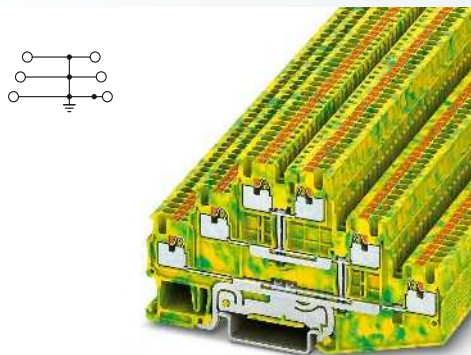
Ordering data				
Type	I _{max}	Order No.	Pcs. / Pkt.	
PT 1,5/S-3L		3213713	50	
PT 1,5/S-3L BU		3213726	50	

Ordering data				
Type	I _{max}	Order No.	Pcs. / Pkt.	
PT 1,5/S-3PV		3213742	50	

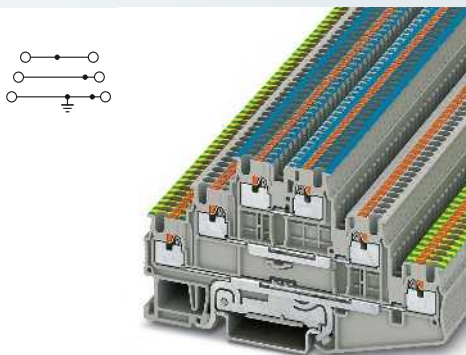
Accessories		
Item	Color	Quantity
Cover, width 2.2 mm	gray	
Plug-in bridge		
	2	red
	3	red
	4	red
	5	red
	10	red
Vertical potential bridge, to connect the upper and lower level	black	
Test plug metal part, 2.3 mm Ø		
Insulating sleeve, for MPS metal part	red	
Triple marker carrier, can be snapped into the PT 1,5/S-3... push-in three-level terminal block, can be labeled with ZB 3,5 or ZBF 3,5	gray	
Screwdriver		
Later groove labeling		

Accessories				
Item	Quantity	Order No.	Pcs. / Pkt.	
D-PT 1,5/S-3L		3113771	50	
FBS 2-3,5	17.5 A	3213014	50	
FBS 3-3,5	17.5 A	3213027	50	
FBS 4-3,5	17.5 A	3213030	50	
FBS 5-3,5	17.5 A	3213043	50	
FBS 10-3,5	17.5 A	3213056	50	
FBS 1,5/S-PV		3216263	10	
MPS-MT		0201744	10	
MPS-IH RD		0201676	10	
STP 3,5-3		0830132	100	
SZF 0-0,4X2,5		1204504	10	
UCT-TMF 3,5 or ZBF 3,5 (see Catalog 5)				

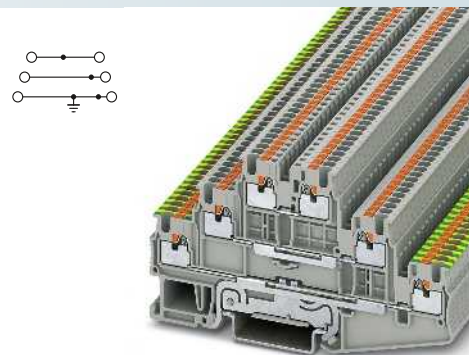
Accessories				
Item	Quantity	Order No.	Pcs. / Pkt.	
D-PT 1,5/S-3L		3113771	50	
FBS 2-3,5	17.5 A	3213014	50	
FBS 3-3,5	17.5 A	3213027	50	
FBS 4-3,5	17.5 A	3213030	50	
FBS 5-3,5	17.5 A	3213043	50	
FBS 10-3,5	17.5 A	3213056	50	
MPS-MT		0201744	10	
MPS-IH RD		0201676	10	
STP 3,5-3		0830132	100	
SZF 0-0,4X2,5		1204504	10	
UCT-TMF 3,5 or ZBF 3,5 (see Catalog 5)				



1.5 (1.5) mm², three-level ground terminal block



1.5 (1.5) mm², 15 A, three-level terminal block with PE foot



1.5 (1.5) mm², 15 A, three-level terminal block with PE foot



Technical data			
Width	Length	Height NS 35/7,5	
3.5	97.2	53.2	
		max. Ø [mm ²]	AWG
		0.14 - 1.5	26 - 16
IEC 60947-7-2			
IEC	UL/CUL	CSA	IEC/EN 60079-7
-	-	-	-
-	-/-	-	-
1.5	-	-	-
26 - 16	26-14	26-14	-
solid	stranded	Ferrule	
		Without / with plastic sleeve	
0.14 - 1.5	0.14 - 1.5	0.14 - 1.5	0.14 - 1
0.25 - 1.5	-	0.34 - 1.5	0.34 - 1
8	PA	V0	

Technical data			
Width	Length	Height NS 35/7,5	
3.5	97.2	53.2	
		max. Ø [mm ²]	AWG
		0.14 - 1.5	26 - 16
IEC 60947-7-1 / IEC 60947-7-2			
IEC	UL/CUL	CSA	IEC/EN 60079-7
500	600	600	-
15 / 1.5	15 / -	15 / -	-
1.5	-	-	-
26 - 16	26-14	26-14	-
solid	stranded	Ferrule	
		Without / with plastic sleeve	
0.14 - 1.5	0.14 - 1.5	0.14 - 1.5	0.14 - 1
0.25 - 1.5	-	0.34 - 1.5	0.34 - 1
8	PA	V0	

Technical data			
Width	Length	Height NS 35/7,5	
3.5	97.2	53.2	
		max. Ø [mm ²]	AWG
		0.14 - 1.5	26 - 16
IEC 60947-7-1 / IEC 60947-7-2			
IEC	UL/CUL	CSA	IEC/EN 60079-7
500	600	600	-
15 / 1.5	15 / -	15 / -	-
1.5	-	-	-
26 - 16	26-14	26-14	-
solid	stranded	Ferrule	
		Without / with plastic sleeve	
0.14 - 1.5	0.14 - 1.5	0.14 - 1.5	0.14 - 1
0.25 - 1.5	-	0.34 - 1.5	0.34 - 1
8	PA	V0	

Ordering data		
Type	Order No.	Pcs. / Pkt.
PT 1,5/S-3PE	3213739	50

Ordering data			
Type	I _{max}	Order No.	Pcs. / Pkt.
PT 1,5/S-PE/L/N		3213755	50

Ordering data			
Type	I _{max}	Order No.	Pcs. / Pkt.
PT 1,5/S-PE/L/L		3213768	50

Accessories		
D-PT 1,5/S-3L	3113771	50
FBS 2-3,5	3213014	50
FBS 3-3,5	3213027	50
FBS 4-3,5	3213030	50
FBS 5-3,5	3213043	50
FBS 10-3,5	3213056	50
MPS-MT	0201744	10
MPS-IH RD	0201676	10
STP 3,5-3	0830132	100
SZF 0-0,4X2,5	1204504	10

Accessories			
D-PT 1,5/S-3L	3113771	50	
FBS 2-3,5	17.5 A	3213014	50
FBS 3-3,5	17.5 A	3213027	50
FBS 4-3,5	17.5 A	3213030	50
FBS 5-3,5	17.5 A	3213043	50
FBS 10-3,5	17.5 A	3213056	50
MPS-MT		0201744	10
MPS-IH RD		0201676	10
STP 3,5-3		0830132	100
SZF 0-0,4X2,5		1204504	10

Accessories			
D-PT 1,5/S-3L	3113771	50	
FBS 2-3,5	17.5 A	3213014	50
FBS 3-3,5	17.5 A	3213027	50
FBS 4-3,5	17.5 A	3213030	50
FBS 5-3,5	17.5 A	3213043	50
FBS 10-3,5	17.5 A	3213056	50
FBS 1,5/S-PV		3216263	10
MPS-MT		0201744	10
MPS-IH RD		0201676	10
STP 3,5-3		0830132	100
SZF 0-0,4X2,5		1204504	10

UCT-TMF 3,5 or ZBF 3,5 (see Catalog 5)

UCT-TMF 3,5 or ZBF 3,5 (see Catalog 5)

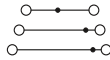
UCT-TMF 3,5 or ZBF 3,5 (see Catalog 5)

Modular terminal blocks - CLIPLINE complete

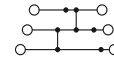
PT push-in connection terminal blocks

PT 2,5-... three-level terminal blocks

- Function shafts on all levels
- Integrated labeling areas on every terminal point
- The ...PE/L/L and ...PE/L/N terminal block types offer clear and unambiguous assignment through the use of color coding of the housing surfaces



2.5 (4) mm², 24 A, three-level terminal block



2.5 (4) mm², 24 A, three-level terminal block, internally connected levels

Notes:
For current carrying capacity of DIN rails, see page 716.
1) The total current of all connected conductors must not exceed the max. load current.



Dimensions		[mm]
Max. electrical data		
Rated voltage	[V]	500
Nominal current / cross section	[A] / [mm ²]	20 / 2.5
Rated cross section	[mm ²]	2.5
Cross section range	AWG	26 - 12
Connection capacity		
1 conductor	[mm ²]	0.14 - 4
Two stranded conductors with a TWIN ferrule	[mm ²]	0.14 - 2.5
Direct plug-in connection cross sections	[mm ²]	0.34 - 4
General data		
Stripping length	[mm]	10
Insulating material		PA
Inflammability class according to UL 94		V0

Technical data				
Width	Length	Height NS 35/7,5		
5.2	102	58		
I _{max} [A]	U _{max} [V]	max. Ø [mm ²]	AWG	
24	500	0.14 - 4	26 - 12	
IEC 60947-7-1				
IEC	UL/CUL	CSA	IEC/EN 60079-7	
Ferrule				
		Without / with plastic sleeve		
0.14 - 4	0.14 - 2.5	0.14 - 2.5	0.14 - 2.5	
		0.5		
0.34 - 4	-	0.34 - 2.5	0.34 - 2.5	
Stripping length				
10				
Insulating material				
PA				
Inflammability class according to UL 94				
V0				

Technical data				
Width	Length	Height NS 35/7,5		
5.2	102	58		
I _{max} [A]	U _{max} [V]	max. Ø [mm ²]	AWG	
24 ¹⁾	500	0.14 - 4	26 - 12	
IEC 60947-7-1				
IEC	UL/CUL	CSA	IEC/EN 60079-7	
Ferrule				
		Without / with plastic sleeve		
0.14 - 4	0.14 - 2.5	0.14 - 2.5	0.14 - 2.5	
		0.5		
0.34 - 4	-	0.34 - 2.5	0.34 - 2.5	
Stripping length				
10				
Insulating material				
PA				
Inflammability class according to UL 94				
V0				

Description	No. of pos.	Color
Terminal block, for mounting on NS 35...		gray
Terminal block, with equipotential bonder, for mounting on NS 35...		blue
Ground terminal block, for mounting on NS 35...		gray
Ground terminal block, for mounting on NS 35...		green-yellow

Ordering data			
Type	I _{max}	Order No.	Pcs. / Pkt.
PT 2,5-3L		3210499	50
PT 2,5-3L BU		3210509	50
PT 2,5-3PV		3210512	50

Ordering data			
Type	I _{max}	Order No.	Pcs. / Pkt.
PT 2,5-3PV		3210512	50

Cover, width 2.2 mm	gray
Insulation stop sleeve, cross section range:	
0.08 - 0.2 mm ²	white
0.25 - 0.5 mm ²	gray
0.75 - 1 mm ²	black
Plug-in bridge	
2	red
3	red
4	red
5	red
10	red
20	red

Accessories			
D-PT 2,5-3L		Order No.	Pcs. / Pkt.
ISH 2,5/0,2		3002843	50
ISH 2,5/0,5		3002856	50
ISH 2,5/1,0		3002869	50
FBS 2-5	20 A	3030161	50
FBS 3-5	20 A	3030174	50
FBS 4-5	20 A	3030187	50
FBS 5-5	20 A	3030190	50
FBS 10-5	20 A	3030213	10
FBS 20-5	20 A	3030226	10

Accessories			
D-PT 2,5-3L		Order No.	Pcs. / Pkt.
ISH 2,5/0,2		3002843	50
ISH 2,5/0,5		3002856	50
ISH 2,5/1,0		3002869	50
FBS 2-5	20 A	3030161	50
FBS 3-5	20 A	3030174	50
FBS 4-5	20 A	3030187	50
FBS 5-5	20 A	3030190	50
FBS 10-5	20 A	3030213	10
FBS 20-5	20 A	3030226	10

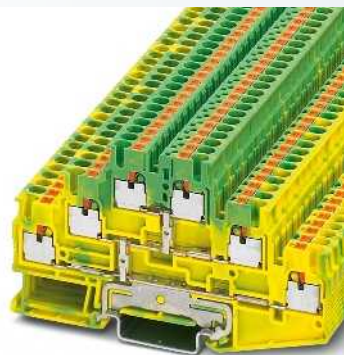
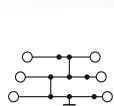
Vertical potential bridge, to connect the upper and lower level	
Test adapter, 4-mm test socket hole	black
Test plug metal part, 2.3 mm Ø	gray
Insulating sleeve, for MPS metal part	red
Modular test plug, for the individual assembly of test plug strips	red
Three-compartment marker carrier, can be snapped into ST 2,5-3... and PT 2,5-3... three-level terminal blocks, can be labeled with UC-TMF 5 and ZBF 5 or ...TM 5 and ZB 5	gray

FBS-PV		3032185	50
PAI-4-N GY		3032871	10
MPS-MT		0201744	10
MPS-IH RD		0201676	10
PS-5		3030983	10
STP 5-3		0810562	100

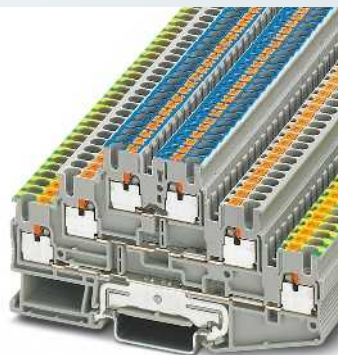
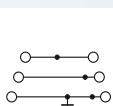
PAI-4-N GY		3032871	10
MPS-MT		0201744	10
MPS-IH RD		0201676	10
PS-5		3030983	10
STP 5-3		0810562	100

Screwdriver	SZF 1-0,6X3,5	1204517	10
Later groove labeling	UC-TMF 5, UCT-TMF 5 or ZBF 5 (see Catalog 5)		

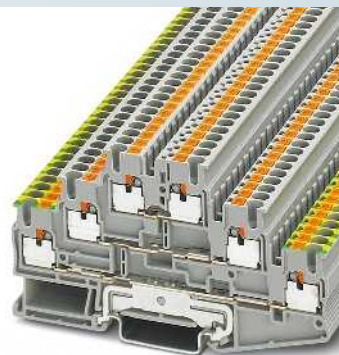
Screwdriver	SZF 1-0,6X3,5	1204517	10
Later groove labeling	UC-TMF 5, UCT-TMF 5 or ZBF 5 (see Catalog 5)		



2.5 (4) mm², three-level ground terminal block



2.5 (4) mm², 24 A, three-level terminal block with PE foot



2.5 (4) mm², 24 A, three-level terminal block with PE foot



Technical data			
Width	Length	Height NS 35/7,5	
5.2	102	58	
		max. Ø [mm ²]	AWG
		0.14 - 4	26 - 12
IEC 60947-7-2			
IEC	UL/CUL	CSA	IEC/EN 60079-7
-	-	-	-
-	-/-	-	-
2.5	-	-	-
26 - 12	26-12	26-12	-
solid	stranded	Ferrule	
		Without / with plastic sleeve	
0.14 - 4	0.14 - 2.5	0.14 - 2.5	0.14 - 2.5
			0.5
0.34 - 4	-	0.34 - 2.5	0.34 - 2.5
10	PA	V0	

Technical data			
Width	Length	Height NS 35/7,5	
5.2	102	58	
I_{max} [A]	U_{max} [V]	max. Ø [mm ²]	AWG
24	500	0.14 - 4	26 - 12
IEC 60947-7-1 / IEC 60947-7-2			
IEC	UL/CUL	CSA	IEC/EN 60079-7
500	300	300	-
20 / 2.5	20 / -	20 / -	-
2.5	-	-	-
26 - 12	26-12	26-12	-
solid	stranded	Ferrule	
		Without / with plastic sleeve	
0.14 - 4	0.14 - 2.5	0.14 - 2.5	0.14 - 2.5
			0.5
0.34 - 4	-	0.34 - 2.5	0.34 - 2.5
10	PA	V0	

Technical data			
Width	Length	Height NS 35/7,5	
5.2	102	58	
I_{max} [A]	U_{max} [V]	max. Ø [mm ²]	AWG
24	500	0.14 - 4	26 - 12
IEC 60947-7-1 / IEC 60947-7-2			
IEC	UL/CUL	CSA	IEC/EN 60079-7
500	300	300	-
20 / 2.5	20 / -	20 / -	-
2.5	-	-	-
26 - 12	26-12	26-12	-
solid	stranded	Ferrule	
		Without / with plastic sleeve	
0.14 - 4	0.14 - 2.5	0.14 - 2.5	0.14 - 2.5
			0.5
0.34 - 4	-	0.34 - 2.5	0.34 - 2.5
10	PA	V0	

Ordering data		
Type	Order No.	Pcs. / Pkt.
PT 2,5-3PE	3210525	50

Ordering data			
Type	I_{max}	Order No.	Pcs. / Pkt.
PT 2,5-PE/L/N		3210538	50

Ordering data			
Type	I_{max}	Order No.	Pcs. / Pkt.
PT 2,5-PE/L/L		3210541	50

Accessories		
D-PT 2,5-3L	3211647	50
ISH 2,5/0,2	3002843	50
ISH 2,5/0,5	3002856	50
ISH 2,5/1,0	3002869	50
FBS 2-5	3030161	50
FBS 3-5	3030174	50
FBS 4-5	3030187	50
FBS 5-5	3030190	50
FBS 10-5	3030213	10
FBS 20-5	3030226	10
PAI-4-N GY	3032871	10
MPS-MT	0201744	10
MPS-IH RD	0201676	10
PS-5	3030983	10
STP 5-3	0810562	100
SZF 1-0,6X3,5	1204517	10

Accessories			
D-PT 2,5-3L	3211647	50	
ISH 2,5/0,2	3002843	50	
ISH 2,5/0,5	3002856	50	
ISH 2,5/1,0	3002869	50	
FBS 2-5	20 A	3030161	50
FBS 3-5	20 A	3030174	50
FBS 4-5	20 A	3030187	50
FBS 5-5	20 A	3030190	50
FBS 10-5	20 A	3030213	10
FBS 20-5	20 A	3030226	10
PAI-4-N GY		3032871	10
MPS-MT		0201744	10
MPS-IH RD		0201676	10
PS-5		3030983	10
STP 5-3		0810562	100
SZF 1-0,6X3,5		1204517	10

Accessories			
D-PT 2,5-3L	3211647	50	
ISH 2,5/0,2		3002843	50
ISH 2,5/0,5		3002856	50
ISH 2,5/1,0		3002869	50
FBS 2-5	20 A	3030161	50
FBS 3-5	20 A	3030174	50
FBS 4-5	20 A	3030187	50
FBS 5-5	20 A	3030190	50
FBS 10-5	20 A	3030213	10
FBS 20-5	20 A	3030226	10
FBS-PV		3032185	50
PAI-4-N GY		3032871	10
MPS-MT		0201744	10
MPS-IH RD		0201676	10
PS-5		3030983	10
STP 5-3		0810562	100
SZF 1-0,6X3,5		1204517	10

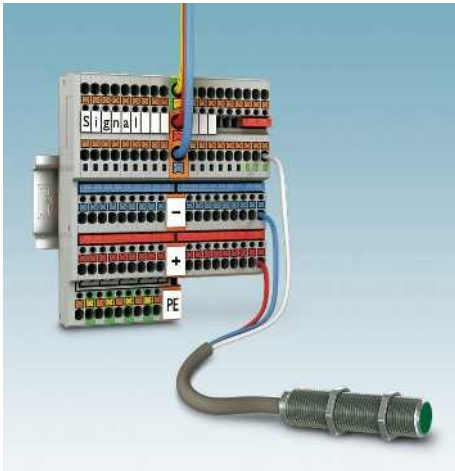
UC-TMF 5, UCT-TMF 5 or ZBF 5 (see Catalog 5)

UC-TMF 5, UCT-TMF 5 or ZBF 5 (see Catalog 5)

UC-TMF 5, UCT-TMF 5 or ZBF 5 (see Catalog 5)

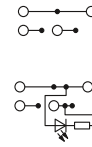
PT push-in connection terminal blocks

PTIO ... three-conductor initiator/actuator terminal block



- For wiring three-conductor initiators and actuators in a space-saving and time-saving way with a terminal block width of just 3.5 mm
- The upper level is for signal wiring, whereas the two lower levels are for distributing the positive and negative potential
- Three-conductor output terminal block of the same shape with PE connection in the lower level for wiring actuators
- Direct contacting on the DIN rail, visually clear labeling of PE terminal point
- Versions with light indicator for indicating the switching states
- Potential is supplied via the PTIO-IN power terminal blocks with a conductor connection capacity of 2.5 mm²
- The power terminal blocks are wired from the signal wiring side
- Power terminal blocks can be set at any desired point of the terminal strip for supply or extension
- Lateral potential distribution by means of FBS ... plug-in bridges from the CLIPLINE complete system, individual terminal points can be jumped by releasing contact pins

Notes:
For current carrying capacity of DIN rails, see page 716.
For other color versions of the plug-in bridge, see page 473.
1) In the case of central power feed.



1.5 (1.5) mm², 13.5 A, three-conductor initiator terminal block

Dimensions	
	[mm]
Max. electrical data	
Rated data	
Rated voltage	[V]
Nominal current / cross section	[A] / [mm ²]
Rated cross section	[mm ²]
Cross section range	AWG
Connection capacity	
1 conductor	[mm ²]
Two stranded conductors with a TWIN ferrule	[mm ²]
Direct plug-in connection cross sections	[mm ²]
General data	
Stripping length	[mm]
Insulating material	
Inflammability class according to UL 94	

Technical data				
Width	Length	Height NS 35/7.5		
3.5	74.4	41.5		
I _{max} [A]	U _{max} [V]	max. Ø [mm ²]	AWG	
13.5	250	0.14 - 1.5	26 - 14	
IEC 60947-7-1				
IEC	UL/CUL	CSA	IEC/EN 60079-7	
Rated voltage				
250	-	-		
Nominal current / cross section				
13.5 / 1.5	- / -	-		
Rated cross section				
1.5	-	-		
Cross section range				
26 - 14	-	-		
Connection capacity				
solid	stranded	Ferrule		
		Without / with plastic sleeve		
0.14 - 1.5	0.14 - 1.5	0.14 - 1.5	0.14 - 1	
0.25 - 1.5	-	0.34 - 1.5	0.34 - 1	
General data				
Stripping length	8			
Insulating material	PA			
Inflammability class according to UL 94	V0			

Description	No. of pos.	Color
Terminal block , for mounting on NS 35...		gray
With red LED for 15 - 30 V DC, 0.31 - 0.95 mA, LED between upper and middle level		gray
With green LED for 15 - 30 V DC, 0.31 - 0.95 mA, LED between upper and middle level		gray
Terminal block , with PE connection, for mounting on NS 35...		gray
Power terminal block		orange

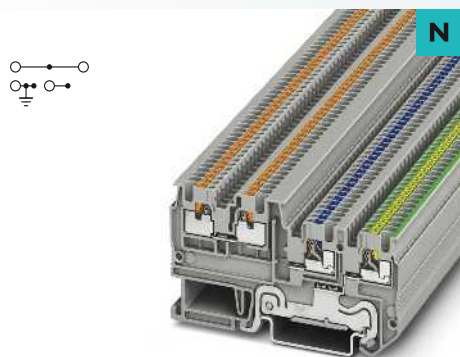
Cover , width 2.2 mm		gray
Insulation stop sleeve , cross section range:		
0.08 - 0.2 mm ²		white
0.25 - 0.5 mm ²		gray
0.75 - 1 mm ²		black
Plug-in bridge		
	2	red
	3	red
	4	red
	5	red
	10	red
	20	red
	50	red
Test plug metal part , 2.3 mm Ø		
Insulating sleeve , for MPS metal part		red
Screwdriver		

Center groove labeling
Center and lateral groove labeling

Ordering data		
Type	Order No.	Pcs. / Pkt.
PTIO 1,5/S/3	3244410	50
PTIO 1,5/S/3-LED 24 RD	3244423	50
PTIO 1,5/S/3-LED 24 GN	3244436	50

Accessories		
D-PTIO 1,5/S/3	3244575	50
FBS 2-3,5	3213014	50
FBS 3-3,5	3213027	50
FBS 4-3,5	3213030	50
FBS 5-3,5	3213043	50
FBS 10-3,5	3213056	50
FBS 20-3,5	3213069	50
FBS 50-3,5	3000706	10
MPS-MT	0201744	10
MPS-IH RD	0201676	10
SZF 0-0,4X2,5	1204504	10

UCT-TM 3,5 or ZB 3,5 (see Catalog 5)
UCT-TMF 3,5 or ZBF 3,5 (see Catalog 5)



1.5 (1.5) mm², 13.5 A, three-conductor actuator terminal block with PE foot



2.5 (4) mm², 20 A, power terminal block

Technical data			
Width	Length	Height NS 35/7,5	
3.5	74.4	41.5	
I_{max} [A]	U_{max} [V]	max. Ø [mm ²]	AWG
13.5	250	0.14 - 1.5	26 - 14
IEC 60947-7-1 / IEC 60947-7-2			
IEC	UL/CUL	CSA	IEC/EN 60079-7
250	-	-	-
13.5 / 1.5	- / -	-	-
1.5	-	-	-
26 - 14	-	-	-
solid	stranded	Ferrule Without / with plastic sleeve	
0.14 - 1.5	0.14 - 1.5	0.14 - 1.5	0.14 - 1
0.25 - 1.5	-	0.34 - 1.5	0.34 - 1
8	PA	V0	

Technical data			
Width	Length	Height NS 35/7,5	
7	74.4	41.5	
I_{max} [A]	U_{max} [V]	max. Ø [mm ²]	AWG
20 ¹⁾	250	0.14 - 4	26 - 12
IEC 60947-7-1			
IEC	UL/CUL	CSA	IEC/EN 60079-7
250	-	-	-
20 / 2.5	- / -	-	-
2.5	-	-	-
26 - 12	-	-	-
solid	stranded	Ferrule Without / with plastic sleeve	
0.14 - 4	0.14 - 2.5	0.14 - 2.5	0.14 - 2.5 0.5
0.34 - 4	-	0.34 - 2.5	0.34 - 2.5
10	PA	V0	

Ordering data		
Type	Order No.	Pcs. / Pkt.
PTIO 1,5/S/3-PE	3244449	50

Ordering data		
Type	Order No.	Pcs. / Pkt.
PTIO-IN 2,5/3 OG	3244559	50

Accessories		
D-PTIO 1,5/S/3	3244575	50
FBS 2-3,5	3213014	50
FBS 3-3,5	3213027	50
FBS 4-3,5	3213030	50
FBS 5-3,5	3213043	50
FBS 10-3,5	3213056	50
FBS 20-3,5	3213069	50
FBS 50-3,5	3000706	10
MPS-MT	0201744	10
MPS-IH RD	0201676	10
SZF 0-0,4X2,5	1204504	10

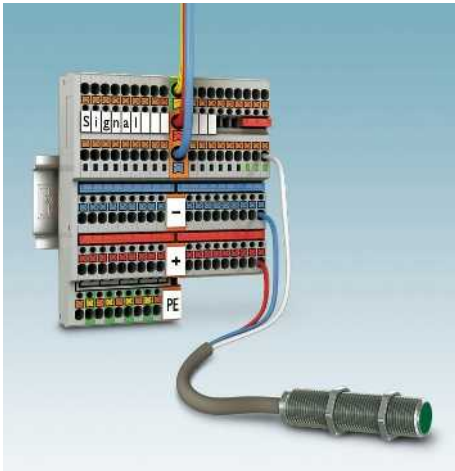
Accessories		
D-PTIO 1,5/S/3	3244575	50
ISH 2,5/0,2	3002843	50
ISH 2,5/0,5	3002856	50
ISH 2,5/1,0	3002869	50
FBS 2-3,5	3213014	50
FBS 3-3,5	3213027	50
FBS 4-3,5	3213030	50
FBS 5-3,5	3213043	50
FBS 10-3,5	3213056	50
FBS 20-3,5	3213069	50
FBS 50-3,5	3000706	10
SZF 1-0,6X3,5	1204517	10

UC-TM 3,5 or ZB 3,5
(see Catalog 5)
UC-TMF 3,5 or ZBF 3,5
(see Catalog 5)

UC-TM 10, UCT-TM 10 or ZB 10
(see Catalog 5)
UC-TMF 10, UCT-TMF 10 or ZBF 10
(see Catalog 5)

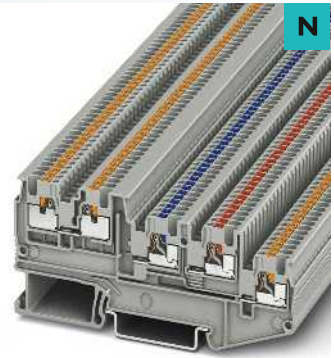
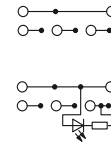
PT push-in connection terminal blocks

PTIO ... four-conductor initiator/actuator terminal block



- For wiring four-conductor initiators and actuators in a space-saving and time-saving way with a terminal block width of just 3.5 mm
- The upper level is for signal wiring, whereas the two lower levels are for distributing the positive and negative potential
- Four-conductor output terminal block of the same shape with PE connection in the lower level for wiring actuators
- Direct contacting on the DIN rail, visually clear labeling of PE terminal point
- Versions with light indicator for indicating the switching states
- Potential is supplied via the PTIO-IN power terminal blocks with a conductor connection capacity of 2.5 mm²
- The power terminal blocks are wired from the signal wiring side
- Power terminal blocks can be set at any desired point of the terminal strip for supply or extension
- Lateral potential distribution by means of FBS ... plug-in bridges from the CLIPLINE complete system, individual terminal points can be jumped by releasing contact pins

Notes:
For current carrying capacity of DIN rails, see page 716.
For other color versions of the plug-in bridge, see page 473.
1) In the case of central power feed.



1.5 (1.5) mm², 13.5 A, four-conductor initiator terminal block

Dimensions	
	[mm]
Max. electrical data	
Rated voltage	[V]
Nominal current / cross section	[A] / [mm ²]
Rated cross section	[mm ²]
Cross section range	AWG
Connection capacity	
1 conductor	[mm ²]
Two stranded conductors with a TWIN ferrule	[mm ²]
Direct plug-in connection cross sections	[mm ²]
General data	
Stripping length	[mm]
Insulating material	
Inflammability class according to UL 94	

Technical data				
Width	Length	Height NS 35/7.5		
3.5	90.8	41.5		
I _{max} [A]	U _{max} [V]	max. Ø [mm ²]	AWG	
13.5	250	0.14 - 1.5	26 - 14	
IEC 60947-7-1				
IEC	UL/CUL	CSA	IEC/EN 60079-7	
Rated voltage				
250	-	-		
13.5 / 1.5	- / -	-		
Rated cross section				
1.5	-	-		
Cross section range				
26 - 14	-	-		
Connection capacity			Ferrule	
solid	stranded		Without / with plastic sleeve	
0.14 - 1.5	0.14 - 1.5	0.14 - 1.5	0.14 - 1	
0.25 - 1.5	-	0.34 - 1.5	0.34 - 1	
General data				
Stripping length	[mm]			
8				
PA				
V0				

Description	No. of pos.	Color
Terminal block , for mounting on NS 35...		gray
With red LED for 15 - 30 V DC, 0.31 - 0.95 mA, LED between upper and middle level		gray
With green LED for 15 - 30 V DC, 0.31 - 0.95 mA, LED between upper and middle level		gray
Terminal block , with PE connection, for mounting on NS 35...		gray
Power terminal block , with PE connection		orange

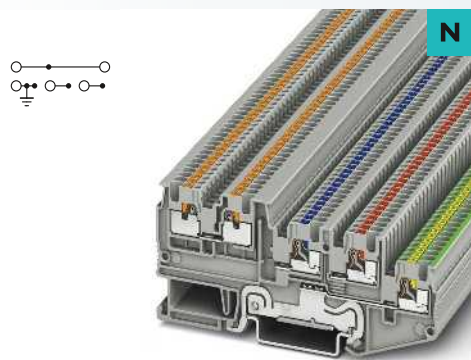
Ordering data		
Type	Order No.	Pcs. / Pkt.
PTIO 1,5/S/4	3244452	50
PTIO 1,5/S/4-LED 24 RD	3244517	50
PTIO 1,5/S/4-LED 24 GN	3244520	50

Cover , width 2.2 mm	gray
Insulation stop sleeve , cross section range:	
0.08 - 0.2 mm ²	white
0.25 - 0.5 mm ²	gray
0.75 - 1 mm ²	black
Plug-in bridge	
	2 red
	3 red
	4 red
	5 red
	10 red
	20 red
	50 red
Test plug metal part , 2.3 mm Ø	
Insulating sleeve , for MPS metal part	red
Screwdriver	

Accessories		
D-PTIO 1,5/S/4	3244588	50
FBS 2-3,5	3213014	50
FBS 3-3,5	3213027	50
FBS 4-3,5	3213030	50
FBS 5-3,5	3213043	50
FBS 10-3,5	3213056	50
FBS 20-3,5	3213069	50
FBS 50-3,5	3000706	10
MPS-MT	0201744	10
MPS-IH RD	0201676	10
SZF 0-0,4X2,5	1204504	10

Center groove labeling
Center and lateral groove labeling

UCT-TM 3,5 or ZB 3,5 (see Catalog 5)
UCT-TMF 3,5 or ZBF 3,5 (see Catalog 5)



1.5 (1.5) mm², 13.5 A, four-conductor actuator terminal block with PE foot



2.5 (4) mm², 20 A, power terminal block with PE foot

Technical data			
Width	Length	Height NS 35/7,5	
3.5	90.8	41.5	
I_{max} [A]	U_{max} [V]	max. Ø [mm ²]	AWG
13.5	250	0.14 - 1.5	26 - 14
IEC 60947-7-1 / IEC 60947-7-2			
IEC	UL/CUL	CSA	IEC/EN 60079-7
250	-	-	-
13.5 / 1.5	- / -	-	-
1.5	-	-	-
26 - 14	-	-	-
solid	stranded	Ferrule Without / with plastic sleeve	
0.14 - 1.5	0.14 - 1.5	0.14 - 1.5	0.14 - 1
0.25 - 1.5	-	0.34 - 1.5	0.34 - 1
8	PA	V0	

Technical data			
Width	Length	Height NS 35/7,5	
7	90.8	41.5	
I_{max} [A]	U_{max} [V]	max. Ø [mm ²]	AWG
20 ¹⁾	250	0.14 - 4	26 - 12
IEC 60947-7-1 / IEC 60947-7-2			
IEC	UL/CUL	CSA	IEC/EN 60079-7
250	-	-	-
20 / 2.5	- / -	-	-
2.5	-	-	-
26 - 12	-	-	-
solid	stranded	Ferrule Without / with plastic sleeve	
0.14 - 4	0.14 - 2.5	0.14 - 2.5	0.14 - 2.5 0.5
0.34 - 4	-	0.34 - 2.5	0.34 - 2.5
10	PA	V0	

Ordering data		
Type	Order No.	Pcs. / Pkt.
PTIO 1,5/S/4-PE	3244465	50

Ordering data		
Type	Order No.	Pcs. / Pkt.
PTIO-IN 2,5/4-PE OG	3244481	50

Accessories		
D-PTIO 1,5/S/4	3244588	50
FBS 2-3,5	3213014	50
FBS 3-3,5	3213027	50
FBS 4-3,5	3213030	50
FBS 5-3,5	3213043	50
FBS 10-3,5	3213056	50
FBS 20-3,5	3213069	50
FBS 50-3,5	3000706	10
MPS-MT	0201744	10
MPS-IH RD	0201676	10
SZF 0-0,4X2,5	1204504	10

Accessories		
D-PTIO 1,5/S/4	3244588	50
ISH 2,5/0,2	3002843	50
ISH 2,5/0,5	3002856	50
ISH 2,5/1,0	3002869	50
FBS 2-3,5	3213014	50
FBS 3-3,5	3213027	50
FBS 4-3,5	3213030	50
FBS 5-3,5	3213043	50
FBS 10-3,5	3213056	50
FBS 20-3,5	3213069	50
FBS 50-3,5	3000706	10
SZF 1-0,6X3,5	1204517	10

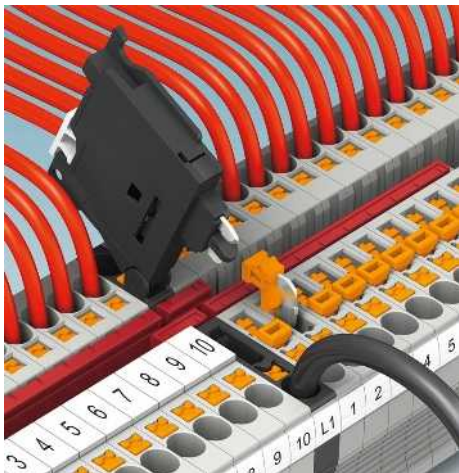
UC-TM 3,5 or ZB 3,5
(see Catalog 5)
UC-TMF 3,5 or ZBF 3,5
(see Catalog 5)

UC-TM 10, UCT-TM 10 or ZB 10
(see Catalog 5)
UC-TMF 10, UCT-TMF 10 or ZBF 10
(see Catalog 5)

Modular terminal blocks - CLIPLINE complete

PT push-in connection terminal blocks

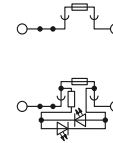
PT 4-HESI... lever-type fuse terminal blocks



The lever-type fuse terminal blocks are characterized by:

- Compact design and same shape as PT 4 feed-through terminal blocks and ...-MT and ...-TG function terminals
- Two function shafts mean that all potential distribution tasks can be undertaken at speed
- For example, jumping bridging can be used to bypass two separate potentials, see figure below.
- Test connection on both sides in safety lever
- Versions with light indicator for indicating that a fuse has blown round off the range

Notes:
1) If the fuse is faulty, the downstream circuit is not off load.
2) The reducing bridge table should be followed, see page 476.
3) The current is determined by the fuse used, the voltage by the selected light indicator. Observe the maximum power dissipation, see www.phoenixcontact.net/products .



4 (6) mm², 6.3 A, lever-type fuse terminal block for 5 x 20 mm cartridge fuses

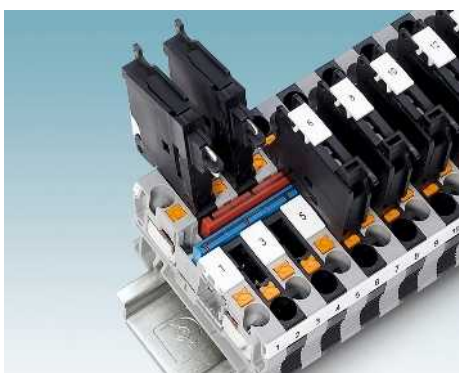


Dimensions		[mm]
Max. electrical data		
Rated data		
Rated voltage	[V]	500 ³⁾
Nominal current / cross section	[A] / [mm ²]	6.3 / 1
Rated cross section	[mm ²]	4
Cross section range	AWG	24 - 10
Connection capacity		
1 conductor	[mm ²]	0.2 - 6
Two stranded conductors with a TWIN ferrule	[mm ²]	0.2 - 4
Direct plug-in connection cross sections	[mm ²]	0.5 - 6
General data		
Fuse type / dimensions	- / [mm]	G / 5 x 20
Stripping length	[mm]	12
Insulating material		PA
Inflammability class according to UL 94		V0

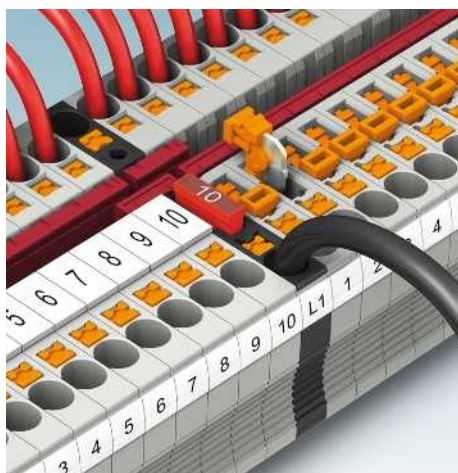
Technical data				
Width	Length	Height NS 35/7,5		
6.2	56	62.5		
I _{max} [A]	U _{max} [V]	max. Ø [mm ²]	AWG	
6.3 ³⁾	500 ³⁾	0.2 - 6	24 - 10	
IEC 60947-7-3				
IEC	UL/CUL	CSA	IEC/EN 60079-7	
500 ³⁾	300	300	-	
6.3 / 1	6.3 / -	6.3 / -	-	
4	-	-	-	
24 - 10	24-10	24-10	-	
Connection capacity		Ferrule		
solid	stranded	Without / with plastic sleeve		
0.2 - 6	0.2 - 4	0.25 - 4	0.25 - 4	
			0.5 - 1	
0.5 - 6	-	0.5 - 4	0.5 - 4	
Ordering data				
Type		I _{max}	Order No.	Pcs. / Pkt.
PT 4-HESI (5X20)			3211861	50
PT 4-HESILED 24 (5X20)			3211903	50
PT 4-HESILED 60 (5X20)			3207908	50
PT 4-HESILA 250 (5X20)			3211907	50
Accessories				
D-ST 4			3030420	50
FBS 2-6	32 A	3030336	50	
FBS 3-6	32 A	3030242	50	
FBS 4-6	32 A	3030255	50	
FBS 5-6	32 A	3030349	50	
FBS 10-6	32 A	3030271	10	
FBS 20-6	32 A	3030365	10	
RB ST (2,5/4)-1,5/S		3214356	10	
ATP-ST 4		3030721	50	
VS		3004207	1	
SZF 1-0,6X3,5		1204517	10	
Lever labeling				
UC-TM 5, UCT-TM 5 or ZB 5 (see Catalog 5)				
Lateral groove labeling				
UC-TMF 6, UCT-TMF 6 or ZBF 6 (see Catalog 5)				

Description	No. of pos.	Color
Fuse terminal block , for mounting on NS 35..., for cartridge fuse inserts 5 x 20 mm		black
With LED for 12-30 V AC/DC, 0.31-0.95 mA ¹⁾		black
For 30-60 V AC/DC, 0.40-0.86 mA ¹⁾		black
For 110-250 V AC/DC, 0.41-0.96 mA ¹⁾		black

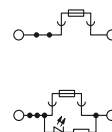
Cover , width 2.2 mm		gray
Plug-in bridge		
	2	red
	3	red
	4	red
	5	red
	10	red
	20	red
Reducing bridge²⁾		
	2	red
Partition plate , 2 mm width		gray
Connection pin , for coupling several fuse terminal blocks, made of plastic, 1 m long		gray
Screwdriver		



PT 4-FSI/F fuse terminal blocks for auto flat-type fuses



Notes:
1) If the fuse is faulty, the downstream circuit is not off load.
2) The current is determined by the fuse used, the voltage by the light indicator.
3) The reducing bridge table should be followed, see page 476.
4) 15 A for single arrangement, 10 A for group arrangement. For the derating curve, see www.phoenixcontact.net/products . The recommended continuous load capacity of fuse inserts according to DIN 72581/Part 3 is a maximum of 80% of their nominal current (at an ambient temperature of 23°C).



4 (6) mm², 10 A, fuse terminal block for type F flat-type fuses



Dimensions		[mm]
Max. electrical data		
Rated data		
Rated voltage	[V]	400 ²⁾
Nominal current / cross section	[A] / [mm ²]	10 ²⁾ / 4
Rated cross section	[mm ²]	4
Cross section range	AWG	24 - 10
Connection capacity		
1 conductor	[mm ²]	0.2 - 6
Two stranded conductors with a TWIN ferrule	[mm ²]	0.2 - 4
Direct plug-in connection cross sections	[mm ²]	0.5 - 6
General data		
Fuse type / dimensions	- / [mm]	Type F (miniature)
Stripping length	[mm]	12
Insulating material		PA
Inflammability class according to UL 94		V0

Technical data			
Width	Length	Height NS 35/7,5	
6.2	56	36.5	
I _{max} [A]	U _{max} [V]	max. Ø [mm ²]	AWG
15 ⁴⁾	400 ²⁾	0.2 - 6	24 - 10
IEC	UL/CUL	CSA	IEC/EN 60079-7
400 ²⁾	300	300	-
10 ²⁾ / 4	15 / -	15 / -	-
4	-	-	-
24 - 10	24-10	24-10	-
solid	stranded	Ferrule	
		Without / with plastic sleeve	
0.2 - 6	0.2 - 4	0.25 - 4	0.25 - 4
			0.5 - 1
		0.5 - 4	0.5 - 4

Description	No. of pos.	Color
Fuse terminal block, for mounting on NS 35...		black
With light indicator for 12 V DC, 1.7 mA ¹⁾		black
For 24 V DC, 1.9 mA ¹⁾		black

Ordering data			
Type	I _{max}	Order No.	Pcs. / Pkt.
PT 4-FSI/F		3208943	50
PT 4-FSI/F-LED 12		3208951	50
PT 4-FSI/F-LED 24		3208964	50

Cover, width 2.2 mm	gray
Insulation stop sleeve, cross section range:	
0.25 - 0.5 mm ²	gray
0.75 - 1 mm ²	black
Plug-in bridge	
	2 red
	3 red
	4 red
	5 red
	10 red
	20 red

Accessories			
D-ST 4		3030420	50
ISH 4/0,5		3002885	50
ISH 4/1,0		3002898	50
FBS 2-6	32 A	3030336	50
FBS 3-6	32 A	3030242	50
FBS 4-6	32 A	3030255	50
FBS 5-6	32 A	3030349	50
FBS 10-6	32 A	3030271	10
FBS 20-6	32 A	3030365	10
RB ST (2,5/4)-1,5/S		3214356	10
ATP-ST 4		3030721	50
PAI-4-N GY		3032871	10
MPS-MT		0201744	10
MPS-IH RD		0201676	10
PS-6		3030996	10
SZF 1-0,6X3,5		1204517	10

Reducing bridge ³⁾	2	red
Partition plate, 2 mm width		gray
Test adapter, 4-mm test socket hole		gray
Test plug metal part, 2.3 mm Ø		
Insulating sleeve, for MPS metal part		red
Modular test plug, for the individual assembly of test plug strips		red
Screwdriver		
Lateral groove labeling		



- The fuse terminal blocks for auto flat-type fuses are characterized by:
- Compact design and same shape as PT 4 feed-through terminal blocks and ...-MT and ...-TG function terminals
 - Two function shafts mean that all potential distribution tasks can be undertaken at speed
 - For example, jumping bridging can be used to bypass two separate potentials, see figure below.
 - Versions with light indicator for indicating that a fuse has blown round off the range
 - Type C auto flat-type fuse terminal blocks are also available in the “ST spring-cage connection terminal blocks” section



Branch out

The device circuit breakers provide reliable protection even if your systems involve long cable paths. Together with the SFB technology* of the QUINT POWER power supply units, the special SFB tripping characteristic of the CB device circuit breakers ensures fast shutdown in the event of an error. This combination offers maximum protection against overload and short-circuit currents.

*SFB - Selective Fuse Breaking, selective shutdown

Individual adaptation

You can pre-wire your systems with base elements and individually equip them with protective plugs on site. The device circuit breakers can also be quickly adapted to accommodate necessary changes in your system. Should you change a load, simply replace the relevant protective plug. Various tripping methods, characteristic curves, and nominal currents are available depending on the application.

Modular expansion

It couldn't be easier. Extend your system with additional device circuit breakers in no time at all. You can bridge the power distribution, remote signaling or even the auxiliary voltage for electronic circuit breakers without this resulting in significant wiring costs. The uniform, plug-in housing concept as well as the bridgeability of the base elements simplify installation.

Detailed information on the device circuit breakers can be found in Catalog 6 or at www.phoenixcontact.net/products



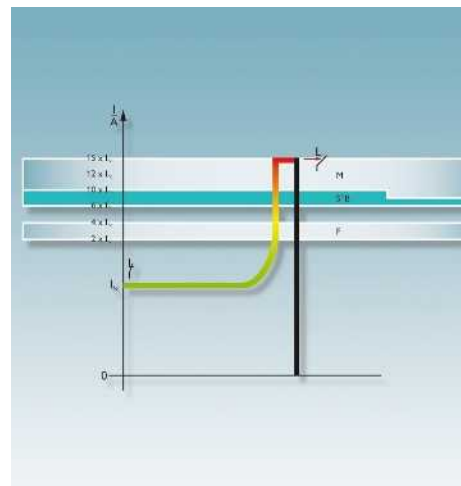
Latching

You can quickly and easily remove the plugs from the base element. The new latching ensures a secure fit in harsh environments and where there are vibrations in the installation environment. It holds the plug in place in the base element.



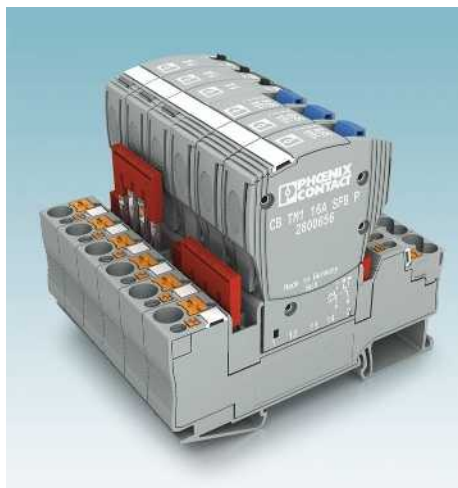
Coding

Straightforward coding means that components can be mounted on the base element according to individual requirements without any errors.



SFB tripping characteristic

Thermomagnetic device circuit breakers with SFB tripping characteristic* provide maximum overcurrent protection – even in large systems with long cable paths.



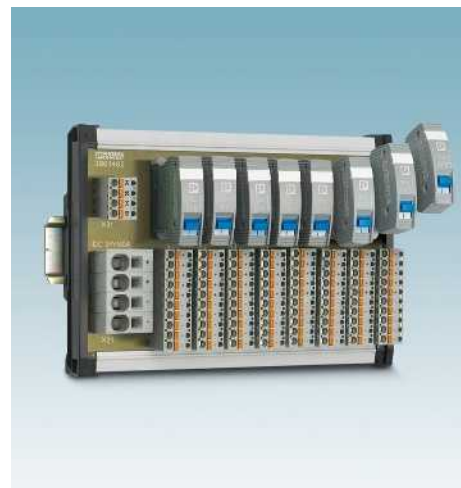
Bridging

With the unique bridging system from our standard range, the device circuit breakers can be combined easily as per your requirements. Potentials of the same type can be connected quickly and safely.



Variable connection technologies

You can choose base elements with either push-in or screw connection technology.



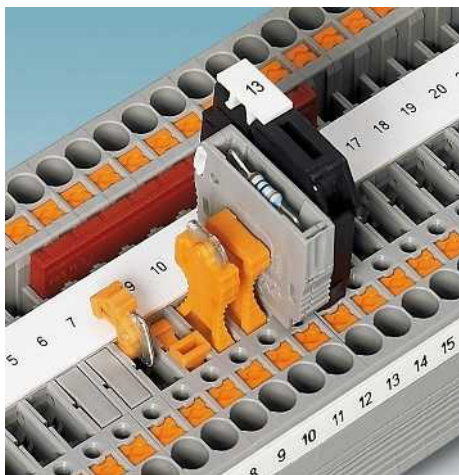
Device circuit breaker board

Multi-channel device circuit breaker boards are available with 4, 8 or 12 channels.

Modular terminal blocks - CLIPLINE complete

PT push-in connection terminal blocks

PT ...-TG disconnect terminal blocks for accommodating function plugs

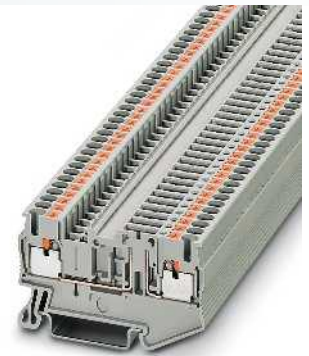


- For disconnect terminal block with universal disconnect zone for accommodating isolating plugs, feed-through connectors, component plugs, and fuse plugs, see page 483
- Seamless and can be double bridged for all tasks in time-saving potential supply and distribution
- Testing facility on both sides of the disconnect point

P-FU 5X20-5 fuse plug

- Appropriate for short-circuit and overload protection
- When offset, the fuse plug fits on the disconnect terminal blocks with a 5.2 mm pitch, see figure below

Notes:
For PT1 2,5...-TG multi-level disconnect terminal blocks, see page 193.
1) The total current of all connected conductors must not exceed the max. load current.
2) If the fuse is faulty, the downstream circuit is not off load.
3) Observe max. load current.
4) Observe max. load current, depending on the power dissipation of the components. Max. 0.5 W with single arrangement.
5) For max. power dissipation, see page 724.
6) Current and voltage are determined by the plug used.
7) The reducing bridge table should be followed, see page 476.



2.5 (4) mm², 20 A, disconnect terminal block



Dimensions	[mm]
Max. electrical data	
Rated data	
Rated voltage	[V]
Nominal current / cross section	[A] / [mm ²]
Rated cross section	[mm ²]
Cross section range	AWG
Connection capacity	
1 conductor	[mm ²]
Two stranded conductors with a TWIN ferrule	[mm ²]
Direct plug-in connection cross sections	[mm ²]
General data	
Stripping length	[mm]
Insulating material	
Inflammability class according to UL 94	

Technical data				
Width	Length	Height NS 35/7,5		
5.2	62	36.5		
I _{max} [A]	U _{max} [V]	max. Ø [mm ²]	AWG	
20	400 ⁶⁾	0.14 - 4	26 - 12	
IEC 60947-7-1				
IEC	UL/CUL	CSA	IEC/EN 60079-7	
400 ⁶⁾	300	300	-	
20 / 2.5	20 / -	20 / -	-	
2.5	-	-	-	
26 - 12	26-12	26-12	-	
Connection capacity		Ferrule		
solid	stranded	Without / with plastic sleeve		
0.14 - 4	0.14 - 2.5	0.14 - 2.5	0.14 - 2.5	
			0.5	
0.34 - 4	-	0.34 - 2.5	0.34 - 2.5	
Ordering data				
Type	I _{max}	Order No.	Pcs. / Pkt.	
PT 2,5-TG		3210185	50	

Description	No. of pos.	Color
Disconnect terminal block , for mounting on NS 35...		gray

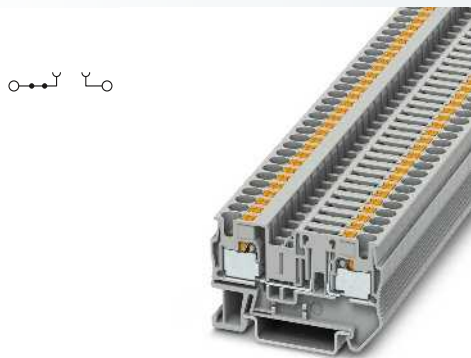
Cover , width 2.2 mm		gray
Insulation stop sleeve , cross section range:		
0.08 - 0.2 mm ²		white
0.25 - 0.5 mm ²		gray
0.75 - 1 mm ²		black
Plug-in bridge		
	2	red
	3	red
	4	red
	5	red
	10	red
	20	red

Reducing bridge ⁷⁾	2	red
Partition plate , 2 mm width		gray
Test plug metal part , 2.3 mm Ø		gray
Insulating sleeve , for MPS metal part		red
Modular test plug , for the individual assembly of test plug strips		red
Isolating plug ³⁾		orange
Feed-through connector ³⁾		gray
Component plug , labeled with ZBF 5 or UC-TMF 5 ⁴⁾		gray
Fuse plug , width 5.2 mm ²⁾		black
With LED for 12-30 V DC, 0.35-0.95 mA		black
For 30-60 V AC/DC, 0.36-0.95 mA		black
For 110-250 V AC/DC, 0.4-0.95 mA		black
Screwdriver		black

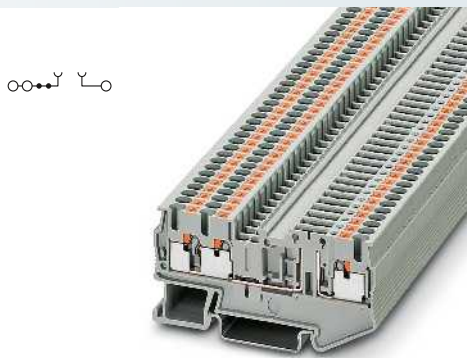
Center groove labeling	UC-TM 5, UCT-TM 5 or ZB 5 (see Catalog 5)
Center and lateral groove labeling	UC-TMF 5, UCT-TMF 5 or ZBF 5 (see Catalog 5)

Accessories			
D-PT 2,5-MT		3211003	50
ISH 2,5/0,2		3002843	50
ISH 2,5/0,5		3002856	50
ISH 2,5/1,0		3002869	50
FBS 2-5	24 A	3030161	50
FBS 3-5	24 A	3030174	50
FBS 4-5	24 A	3030187	50
FBS 5-5	24 A	3030190	50
FBS 10-5	24 A	3030213	10
FBS 20-5	24 A	3030226	10
ATP-ST-TWIN		3030789	50
MPS-MT		0201744	10
MPS-IH RD		0201676	10
PS-5		3030983	10
P-DI		3036783	50
P-FIX		3038956	50
P-CO		3036796	10
P-FU 5X20-5		3209235	10
P-FU 5X20 LED 24-5		3209248	10
P-FU 5X20 LED 60-5		3209251	10
P-FU 5X20 LED 250-5		3209264	10
SZF 1-0,6X3,5		1204517	10





4 (6) mm², 20 A, disconnect terminal block



2.5 (4) mm², 20 A, disconnect terminal block, 3 connections



2.5 (4) mm², 20 A, disconnect terminal block, 4 connections



Technical data			
Width	Length	Height NS 35/7,5	
6.2	56	36.5	
I _{max} [A]	U _{max} [V]	max. Ø [mm ²]	AWG
20 ^{*)}	400 ^{*)}	0.2 - 6	24 - 10
IEC 60947-7-1			
IEC	UL/CUL	CSA	IEC/EN 60079-7
400 ^{*)}	300	300	-
20 ^{*)} / 2.5	20 / -	20 / -	-
4	-	-	-
24 - 10	24-10	26-10	-
solid	stranded	Ferrule Without / with plastic sleeve	
0.2 - 6	0.2 - 4	0.25 - 4	0.25 - 4
0.5 - 6	-	0.5 - 1	0.5 - 1
0.5 - 6	-	0.5 - 4	0.5 - 4
12	PA	V0	

Technical data			
Width	Length	Height NS 35/7,5	
5.2	74	36.5	
I _{max} [A]	U _{max} [V]	max. Ø [mm ²]	AWG
20 ^{*)}	400 ^{*)}	0.14 - 4	26 - 12
IEC 60947-7-1			
IEC	UL/CUL	CSA	IEC/EN 60079-7
400 ^{*)}	300	300	-
20 ^{*)} / 2.5	20 / -	20 / -	-
2.5	-	-	-
26 - 12	26-12	26-12	-
solid	stranded	Ferrule Without / with plastic sleeve	
0.14 - 4	0.14 - 2.5	0.14 - 2.5	0.14 - 2.5
0.34 - 4	-	0.34 - 2.5	0.34 - 2.5
10	PA	V0	

Technical data			
Width	Length	Height NS 35/7,5	
5.2	84	36.5	
I _{max} [A]	U _{max} [V]	max. Ø [mm ²]	AWG
20 ^{*)}	400 ^{*)}	0.14 - 4	26 - 12
IEC 60947-7-1			
IEC	UL/CUL	CSA	IEC/EN 60079-7
400 ^{*)}	300	300	-
20 ^{*)} / 2.5	20 / -	20 / -	-
2.5	-	-	-
26 - 12	26-12	26-12	-
solid	stranded	Ferrule Without / with plastic sleeve	
0.14 - 4	0.14 - 2.5	0.14 - 2.5	0.14 - 2.5
0.34 - 4	-	0.34 - 2.5	0.34 - 2.5
10	PA	V0	

Ordering data			
Type	I _{max}	Order No.	Pcs. / Pkt.
PT 4-TG		3211922	50

Ordering data			
Type	I _{max}	Order No.	Pcs. / Pkt.
PT 2,5-TWIN-TG		3210198	50

Ordering data			
Type	I _{max}	Order No.	Pcs. / Pkt.
PT 2,5-QUATTRO-TG		3210208	50

Accessories			
D-ST 4		3030420	50
ISH 4/0,5		3002885	50
ISH 4/1,0		3002898	50
FBS 2-6	32 A	3030336	50
FBS 3-6	32 A	3030242	50
FBS 4-6	32 A	3030255	50
FBS 5-6	32 A	3030349	50
FBS 10-6	32 A	3030271	10
FBS 20-6	32 A	3030365	10
RB ST (2,5/4)-1,5/S		3214356	10
ATP-ST 4		3030721	50
MPS-MT		0201744	10
MPS-IH RD		0201676	10
PS-6		3030996	10
P-DI		3036783	50
P-FIX		3038956	50
P-CO		3036796	10
P-FU 5X20		3036806	10
P-FU 5X20 LED 24		3036819	10
P-FU 5X20 LED 60		3036822	10
P-FU 5X20 LA 250		3036835	10
SZF 1-0,6X3,5		1204517	10

Accessories			
D-PT 2,5-TWIN-MT		3211317	50
ISH 2,5/0,2		3002843	50
ISH 2,5/0,5		3002856	50
ISH 2,5/1,0		3002869	50
FBS 2-5	24 A	3030161	50
FBS 3-5	24 A	3030174	50
FBS 4-5	24 A	3030187	50
FBS 5-5	24 A	3030190	50
FBS 10-5	24 A	3030213	10
FBS 20-5	24 A	3030226	10
ATP-ST QUATTRO		3030815	50
MPS-MT		0201744	10
MPS-IH RD		0201676	10
PS-5		3030983	10
P-DI		3036783	50
P-FIX		3038956	50
P-CO		3036796	10
P-FU 5X20-5		3209235	10
P-FU 5X20 LED 24-5		3209248	10
P-FU 5X20 LED 60-5		3209251	10
P-FU 5X20 LED 250-5		3209264	10
SZF 1-0,6X3,5		1204517	10

Accessories			
D-ST 2,5-QUATTRO-MT		3038590	50
ISH 2,5/0,2		3002843	50
ISH 2,5/0,5		3002856	50
ISH 2,5/1,0		3002869	50
FBS 2-5	24 A	3030161	50
FBS 3-5	24 A	3030174	50
FBS 4-5	24 A	3030187	50
FBS 5-5	24 A	3030190	50
FBS 10-5	24 A	3030213	10
FBS 20-5	24 A	3030226	10
MPS-MT		0201744	10
MPS-IH RD		0201676	10
PS-5		3030983	10
P-DI		3036783	50
P-FIX		3038956	50
P-CO		3036796	10
P-FU 5X20-5		3209235	10
P-FU 5X20 LED 24-5		3209248	10
P-FU 5X20 LED 60-5		3209251	10
P-FU 5X20 LED 250-5		3209264	10
SZF 1-0,6X3,5		1204517	10

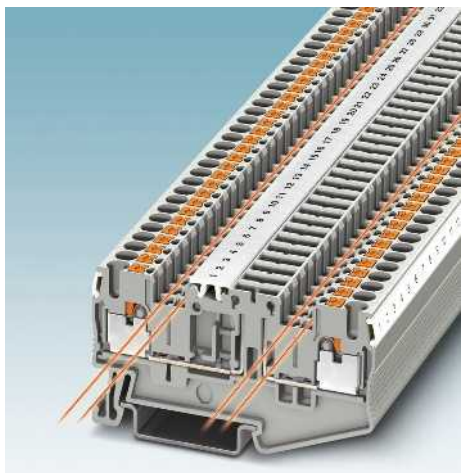
UC-TMF 6, UCT-TMF 6 or ZBF 6
(see Catalog 5)

UC-TM 5, UCT-TM 5 or ZB 5
(see Catalog 5)
UC-TMF 5, UCT-TMF 5 or ZBF 5
(see Catalog 5)

UC-TM 5, UCT-TM 5 or ZB 5
(see Catalog 5)
UC-TMF 5, UCT-TMF 5 or ZBF 5
(see Catalog 5)

PT push-in connection terminal blocks

Disconnect terminal blocks, for accommodating function plugs, can be bridged four times, PT ...-TGB



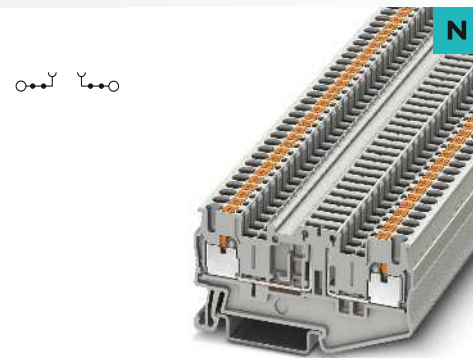
- Disconnect terminal block with universal disconnect zone and a double function shaft on each side of the disconnect zone
- Disconnect zone for accommodating isolating plugs, feed-through connectors, component plugs, and fuse plugs; see page 480
- Testing facility on both sides of the disconnect point

P-FU 5X20-5 fuse plug

- Appropriate for short-circuit and overload protection
- When offset, the fuse plug fits on the disconnect terminal blocks with a 5.2 mm pitch, see figure below



Notes:
For further plug-in bridges, see page 472.
1) The total current of all connected conductors must not exceed the max. load current.
2) If the fuse is faulty, the downstream circuit is not off load.
3) Observe max. load current.
4) Observe max. load current, depending on the power dissipation of the components. Max. 0.5 W with single arrangement.
5) Current and voltage are determined by the plug used.
6) 3-pos. termination block.



2.5 (4) mm², 16 A, disconnect terminal block

Dimensions	[mm]
Max. electrical data	
Rated data	
Rated voltage	[V]
Nominal current / cross section	[A] / [mm ²]
Rated cross section	[mm ²]
Cross section range	AWG
Disconnect level rated data	
Nominal current / cross section	[A] / [mm ²]
Connection capacity	
1 conductor	[mm ²]
Two stranded conductors with a TWIN ferrule	[mm ²]
Direct plug-in connection cross sections	[mm ²]
General data	
Stripping length	[mm]
Insulating material	
Inflammability class according to UL 94	

Technical data				
Width	Length	Height NS 35/7,5		
5.2	70.1	36.8		
I _{max} [A]	U _{max} [V]	max. Ø [mm ²]	AWG	
16	400 ⁵⁾	0.14 - 4	26 - 12	
IEC 60947-7-1				
IEC	UL/CUL	CSA	IEC/EN 60079-7	
400 ⁵⁾	-	-	-	
16 / 2.5	- / -	-	-	
2.5	-	-	-	
26 - 12	-	-	-	
IEC	UL/CUL	CSA	IEC/EN 60079-7	
-	- / -	-	-	
solid		stranded		Ferrule
				Without / with plastic sleeve
0.14 - 4	0.14 - 2.5	0.14 - 2.5	0.14 - 2.5	
			0.5	
0.34 - 4	-	0.34 - 2.5	0.34 - 2.5	
10				
PA				
V0				

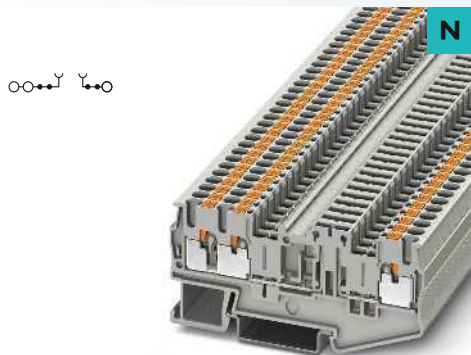
Description	No. of pos.	Color
Terminal block , for mounting on NS 35...		gray gray

Ordering data			
Type	I _{max}	Order No.	Pcs. / Pkt.
PT 2,5-TGB		3210192	50

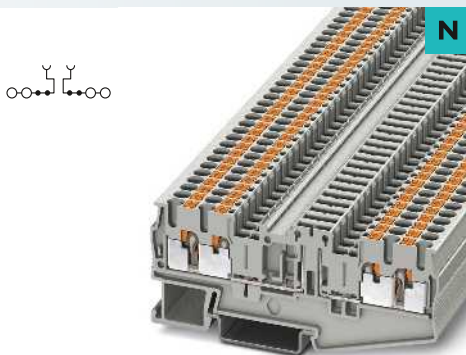
Cover , width 2.2 mm	gray
Insulation stop sleeve , cross section range:	
0.08 - 0.2 mm ²	white
0.25 - 0.5 mm ²	gray
0.75 - 1 mm ²	black
Plug-in bridge	
	2 red
	3 red
	5 red
	10 red
	20 red
Test plug metal part , 2.3 mm Ø	
Insulating sleeve , for MPS metal part	red
Modular test plug , for the individual assembly of test plug strips	red
Isolating plug ³⁾	orange
Feed-through connector ³⁾	gray
Component plug , labeled with ZBF 5 or UC-TMF 5 ⁴⁾	gray
Fuse plug , width 5.2 mm ²⁾	black
With LED for 12-30 V DC, 0.35-0.95 mA	black
For 30-60 V AC/DC, 0.36-0.95 mA	black
For 110-250 V AC/DC, 0.4-0.95 mA	black
Screwdriver	

Accessories			
Type	I _{max}	Order No.	Pcs. / Pkt.
D-PT 2,5-MTB		3210196	50
ISH 2,5/0,2		3002843	50
ISH 2,5/0,5		3002856	50
ISH 2,5/1,0		3002869	50
FBS 2-5	24 A	3030161	50
FBS 3-5	24 A	3030174	50
FBS 5-5	24 A	3030190	50
FBS 10-5	24 A	3030213	10
FBS 20-5	24 A	3030226	10
MPS-MT		0201744	10
MPS-IH RD		0201676	10
PS-5		3030983	10
P-DI		3036783	50
P-FIX		3038956	50
P-CO		3036796	10
P-FU 5X20-5		3209235	10
P-FU 5X20 LED 24-5		3209248	10
P-FU 5X20 LED 60-5		3209251	10
P-FU 5X20 LED 250-5		3209264	10
SZF 1-0,6X3,5		1204517	10

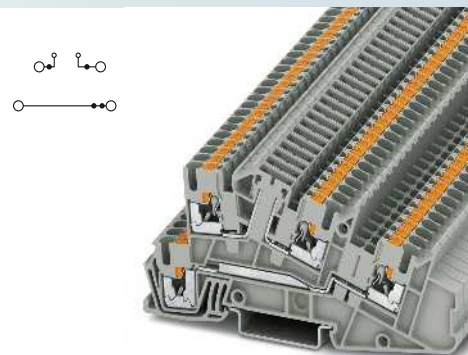
Center groove labeling	UC-TM 5, UCT-TM 5 or ZB 5 (see Catalog 5)
Center and lateral groove labeling	UC-TMF 5, UCT-TMF 5 or ZBF 5 (see Catalog 5)



2.5 (4) mm², 16 A, disconnect terminal block, 3 connections



2.5 (4) mm², 16 A, disconnect terminal block, 4 connections



4 (4) mm², 30 A, three-level terminal block, 1 x L phase conductor, 1 x disconnect zone



Technical data			
Width	Length	Height NS 35/7,5	
5.2	81.9	36.7	
I_{max} [A]	U_{max} [V]	max. \varnothing [mm ²]	AWG
16 ¹⁾	400 ⁵⁾	0.14 - 4	26 - 12
IEC 60947-7-1			
IEC	UL/CUL	CSA	IEC/EN 60079-7
400 ⁵⁾	-	-	-
16 ¹⁾ / 2.5	- / -	-	-
2.5	-	-	-
26 - 12	-	-	-
IEC	UL/CUL	CSA	IEC/EN 60079-7
-	- / -	-	-
solid	stranded	Ferrule	
Without / with plastic sleeve			
0.14 - 4	0.14 - 2.5	0.14 - 2.5	0.14 - 2.5
0.5			
0.34 - 4	-	0.34 - 2.5	0.34 - 2.5
10			
PA			
V0			

Technical data			
Width	Length	Height NS 35/7,5	
5.2	92.2	36.7	
I_{max} [A]	U_{max} [V]	max. \varnothing [mm ²]	AWG
16 ¹⁾	400 ⁵⁾	0.14 - 4	26 - 12
IEC 60947-7-1			
IEC	UL/CUL	CSA	IEC/EN 60079-7
400 ⁵⁾	-	-	-
16 ¹⁾ / 2.5	- / -	-	-
2.5	-	-	-
26 - 12	-	-	-
IEC	UL/CUL	CSA	IEC/EN 60079-7
-	- / -	-	-
solid	stranded	Ferrule	
Without / with plastic sleeve			
0.14 - 4	0.14 - 2.5	0.14 - 2.5	0.14 - 2.5
0.5			
0.34 - 4	-	0.34 - 2.5	0.34 - 2.5
10			
PA			
V0			

Technical data			
Width	Length	Height NS 35/7,5	
5.2	101	50.5	
I_{max} [A]	U_{max} [V]	max. \varnothing [mm ²]	AWG
30 ⁵⁾	400 ⁵⁾	0.14 - 4	26 - 12
IEC 60947-7-1			
IEC	UL/CUL	CSA	IEC/EN 60079-7
400 ⁵⁾	300	-	-
24 / 4	20 / -	-	-
4	-	-	-
26 - 12	26-12	-	-
IEC	UL/CUL	CSA	IEC/EN 60079-7
16 / 1.5	20 / -	-	-
solid	stranded	Ferrule	
Without / with plastic sleeve			
0.14 - 4	0.14 - 4	0.14 - 2.5	0.14 - 2.5
0.5			
0.34 - 4	-	0.34 - 2.5	0.34 - 2.5
10			
PA			
V0			

Ordering data			
Type	I_{max}	Order No.	Pcs. / Pkt.
PT 2,5-TWIN-TGB		3210193	50

Ordering data			
Type	I_{max}	Order No.	Pcs. / Pkt.
PT 2,5-QUATTRO-TGB		3210194	50

Ordering data			
Type	I_{max}	Order No.	Pcs. / Pkt.
PTI 2,5-L/TG		3213961	50
PTI 2,5-PE/L/TG		3213960	50

Accessories			
D-PT 2,5-TWIN-MTB		3210202	50
ISH 2,5/0,2		3002843	50
ISH 2,5/0,5		3002856	50
ISH 2,5/1,0		3002869	50
FBS 2-5	24 A	3030161	50
FBS 3-5	24 A	3030174	50
FBS 5-5	24 A	3030190	50
FBS 10-5	24 A	3030213	10
FBS 20-5	24 A	3030226	10
MPS-MT		0201744	10
MPS-IH RD		0201676	10
PS-5		3030983	10
P-DI		3036783	50
P-FIX		3038956	50
P-CO		3036796	10
P-FU 5X20-5		3209235	10
P-FU 5X20 LED 24-5		3209248	10
P-FU 5X20 LED 60-5		3209251	10
P-FU 5X20 LED 250-5		3209264	10
SZF 1-0,6X3,5		1204517	10

Accessories			
D-PT 2,5-QUATTRO-MTB		3210209	50
ISH 2,5/0,2		3002843	50
ISH 2,5/0,5		3002856	50
ISH 2,5/1,0		3002869	50
FBS 2-5	24 A	3030161	50
FBS 3-5	24 A	3030174	50
FBS 5-5	24 A	3030190	50
FBS 10-5	24 A	3030213	10
FBS 20-5	24 A	3030226	10
MPS-MT		0201744	10
MPS-IH RD		0201676	10
PS-5		3030983	10
P-DI		3036783	50
P-FIX		3038956	50
P-CO		3036796	10
P-FU 5X20-5		3209235	10
P-FU 5X20 LED 24-5		3209248	10
P-FU 5X20 LED 60-5		3209251	10
P-FU 5X20 LED 250-5		3209264	10
SZF 1-0,6X3,5		1204517	10

Accessories			
D-PTI/3B		3213976	50
ISH 2,5/0,2		3002843	50
ISH 2,5/0,5		3002856	50
ISH 2,5/1,0		3002869	50
FBS 2-5	24 A	3030161	50
FBS 3-5	24 A	3030174	50
FBS 5-5	24 A	3030190	50
FBS 10-5	24 A	3030213	10
FBS 20-5	24 A	3030226	10
PS-5		3030983	10
P-DI		3036783	50
P-FIX		3038956	50
P-CO		3036796	10
P-FU 5X20-5		3209235	10
P-FU 5X20 LED 24-5		3209248	10
P-FU 5X20 LED 60-5		3209251	10
P-FU 5X20 LED 250-5		3209264	10
SZF 1-0,6X3,5		1204517	10

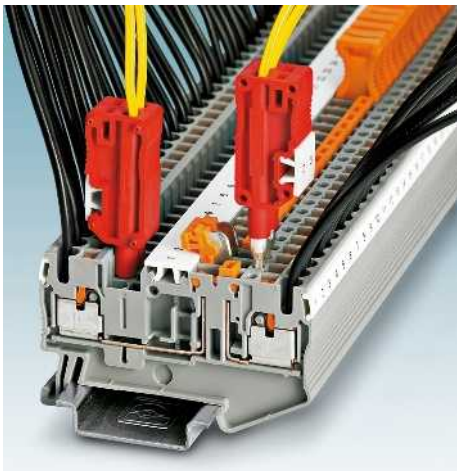
UC-TM 5, UCT-TM 5 or ZB 5
(see Catalog 5)
UC-TMF 5, UCT-TMF 5 or ZBF 5
(see Catalog 5)

UC-TM 5, UCT-TM 5 or ZB 5
(see Catalog 5)
UC-TMF 5, UCT-TMF 5 or ZBF 5
(see Catalog 5)

UC-TMF 5, UCT-TMF 5 or ZBF 5
(see Catalog 5)

PT push-in connection terminal blocks

PT ...-MT knife disconnect terminal blocks



- Knife disconnect terminal block with a current carrying capacity of 20 A
- Seamless and can be double bridged for all tasks in time-saving potential supply and distribution
- Testing facility on both sides of the disconnect point

S-MT switching lock

- The optional switching lock snaps in and effectively prevents accidental switching, see figure below

Notes:
For PT1 2,5...-LTB multi-level knife disconnect terminal blocks, see page 190.
1) The total current of all connected conductors must not exceed the max. load current.
2) The reducing bridge table should be followed, see page 476.
3) Also see page 480.



2.5 (4) mm², 20 A, knife disconnect terminal block



Dimensions	
	[mm]
Max. electrical data	
I _{max} [A]	20
U _{max} [V]	400
Rated data	
Rated voltage [V]	400
Nominal current / cross section [A] / [mm ²]	20 / 2.5
Rated cross section [mm ²]	2.5
Cross section range AWG	26 - 12
Connection capacity	
1 conductor [mm ²]	0.14 - 4
Two stranded conductors with a TWIN ferrule [mm ²]	0.14 - 2.5
Direct plug-in connection cross sections [mm ²]	0.34 - 4
General data	
Stripping length [mm]	10
Insulating material	PA
Inflammability class according to UL 94	V0

Technical data				
Width	Length	Height NS 35/7,5		
5.2	62	36.5		
I _{max} [A]	U _{max} [V]	max. Ø [mm ²]	AWG	
20	400	0.14 - 4	26 - 12	
IEC 60947-7-1				
IEC	UL/CUL	CSA	IEC/EN 60079-7	
400	300	300	-	
20 / 2.5	20 / -	20 / -	-	
2.5	-	-	-	
26 - 12	26-12	26-12	-	
solid		stranded		Ferrule
		Without / with plastic sleeve		
0.14 - 4	0.14 - 2.5	0.14 - 2.5	0.14 - 2.5	
			0.5	
0.34 - 4	-	0.34 - 2.5	0.34 - 2.5	

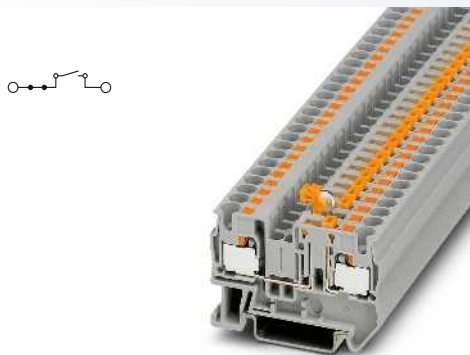
Description	No. of pos.	Color
Knife disconnect terminal block, for mounting on NS 35...		gray
		blue

Ordering data			
Type	I _{max}	Order No.	Pcs. / Pkt.
PT 2,5-MT		3210156	50
PT 2,5-MT BU		3211650	50

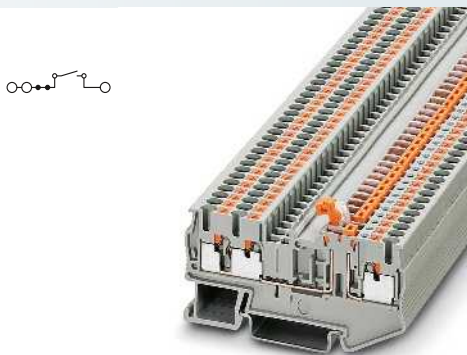
Cover, width 2.2 mm	gray
End cover segment, for covering multi-conductor terminal blocks when two-conductor terminal blocks are aligned	gray
Insulation stop sleeve, cross section range:	
0.08 - 0.2 mm ²	white
0.25 - 0.5 mm ²	gray
0.75 - 1 mm ²	black
Plug-in bridge	
	2 red
	3 red
	4 red
	5 red
	10 red
	20 red
Reducing bridge ²⁾	
	2 red
Switching lock, plug-in ³⁾	white
Partition plate, 2 mm width	gray
Test adapter, 4-mm test socket hole	gray
Test plug metal part, 2.3 mm Ø	
Insulating sleeve, for MPS metal part	red
Modular test plug, for the individual assembly of test plug strips	red
Screwdriver	
Center groove labeling	UC-TM 5, UCT-TM 5 or ZB 5 (see Catalog 5)
Center and lateral groove labeling	UC-TMF 5, UCT-TMF 5 or ZBF 5 (see Catalog 5)

Accessories			
D-PT 2,5-MT		3211003	50
ISH 2,5/0,2		3002843	50
ISH 2,5/0,5		3002856	50
ISH 2,5/1,0		3002869	50
FBS 2-5	24 A	3030161	50
FBS 3-5	24 A	3030174	50
FBS 4-5	24 A	3030187	50
FBS 5-5	24 A	3030190	50
FBS 10-5	24 A	3030213	10
FBS 20-5	24 A	3030226	10
S-MT		3247954	50
ATP-ST-TWIN		3030789	50
PAI-4-N GY		3032871	10
MPS-MT		0201744	10
MPS-IH RD		0201676	10
PS-5		3030983	10
SZF 1-0,6X3,5		1204517	10





4 (6) mm², 20 A, knife disconnect terminal block



2.5 (4) mm², 20 A, knife disconnect terminal block, 3 connections



2.5 (4) mm², 20 A, knife disconnect terminal block, 4 connections



Technical data			
Width	Length	Height NS 35/7,5	
6.2	56	36.5	
I_{max} [A]	U_{max} [V]	max. \varnothing [mm ²]	AWG
20	400	0.2 - 6	24 - 10
IEC 60947-7-1			
IEC	UL/CUL	CSA	IEC/EN 60079-7
400	300	300	-
20 / 2.5	20 / -	20 / -	-
4	-	-	-
24 - 10	24-10	26-10	-
solid	stranded	Ferrule Without / with plastic sleeve	
0.2 - 6	0.2 - 4	0.25 - 4	0.25 - 4 0.5 - 1
0.5 - 6	-	0.5 - 4	0.5 - 4
12	PA	V0	

Technical data			
Width	Length	Height NS 35/7,5	
5.2	74	36.5	
I_{max} [A]	U_{max} [V]	max. \varnothing [mm ²]	AWG
20 ¹⁾	400	0.14 - 4	26 - 12
IEC 60947-7-1			
IEC	UL/CUL	CSA	IEC/EN 60079-7
400	300	300	-
20 ¹⁾ / 2.5	20 / -	20 / -	-
2.5	-	-	-
26 - 12	26-12	26-12	-
solid	stranded	Ferrule Without / with plastic sleeve	
0.14 - 4	0.14 - 2.5	0.14 - 2.5	0.14 - 2.5 0.5
0.34 - 4	-	0.34 - 2.5	0.34 - 2.5
10	PA	V0	

Technical data			
Width	Length	Height NS 35/7,5	
5.2	84	36.5	
I_{max} [A]	U_{max} [V]	max. \varnothing [mm ²]	AWG
20 ¹⁾	400	0.14 - 4	26 - 12
IEC 60947-7-1			
IEC	UL/CUL	CSA	IEC/EN 60079-7
400	300	300	-
20 ¹⁾ / 2.5	20 / -	20 / -	-
2.5	-	-	-
26 - 12	26-12	26-12	-
solid	stranded	Ferrule Without / with plastic sleeve	
0.14 - 4	0.14 - 2.5	0.14 - 2.5	0.14 - 2.5 0.5
0.34 - 4	-	0.34 - 2.5	0.34 - 2.5
10	PA	V0	

Ordering data			
Type	I_{max}	Order No.	Pcs. / Pkt.
PT 4-MT		3211933	50

Ordering data			
Type	I_{max}	Order No.	Pcs. / Pkt.
PT 2,5-TWIN-MT		3210169	50
PT 2,5-TWIN-MT BU		3211663	50

Ordering data			
Type	I_{max}	Order No.	Pcs. / Pkt.
PT 2,5-QUATTRO-MT		3210172	50
PT 2,5-QUATTRO-MT BU		3211676	50

Accessories			
D-ST 4		3030420	50
ISH 4/0,5		3002885	50
ISH 4/1,0		3002898	50
FBS 2-6	32 A	3030336	50
FBS 3-6	32 A	3030242	50
FBS 4-6	32 A	3030255	50
FBS 5-6	32 A	3030349	50
FBS 10-6	32 A	3030271	10
FBS 20-6	32 A	3030365	10
RB ST (2,5/4)-1,5/S		3214356	10
S-MT		3247954	50
ATP-ST 4		3030721	50
PAI-4-N GY		3032871	10
MPS-MT		0201744	10
MPS-IH RD		0201676	10
PS-6		3030996	10
SZF 1-0,6X3,5		1204517	10

Accessories			
D-PT 2,5-TWIN-MT		3211317	50
DS-ST 2,5		3036602	10
ISH 2,5/0,2		3002843	50
ISH 2,5/0,5		3002856	50
ISH 2,5/1,0		3002869	50
FBS 2-5	24 A	3030161	50
FBS 3-5	24 A	3030174	50
FBS 4-5	24 A	3030187	50
FBS 5-5	24 A	3030190	50
FBS 10-5	24 A	3030213	10
FBS 20-5	24 A	3030226	10
S-MT		3247954	50
ATP-ST QUATTRO		3030815	50
PAI-4-N GY		3032871	10
MPS-MT		0201744	10
MPS-IH RD		0201676	10
PS-5		3030983	10
SZF 1-0,6X3,5		1204517	10

Accessories			
D-ST 2,5-QUATTRO-MT		3038590	50
DS-ST 2,5		3036602	10
ISH 2,5/0,2		3002843	50
ISH 2,5/0,5		3002856	50
ISH 2,5/1,0		3002869	50
FBS 2-5	24 A	3030161	50
FBS 3-5	24 A	3030174	50
FBS 4-5	24 A	3030187	50
FBS 5-5	24 A	3030190	50
FBS 10-5	24 A	3030213	10
FBS 20-5	24 A	3030226	10
S-MT		3247954	50
PAI-4-N GY		3032871	10
MPS-MT		0201744	10
MPS-IH RD		0201676	10
PS-5		3030983	10
SZF 1-0,6X3,5		1204517	10

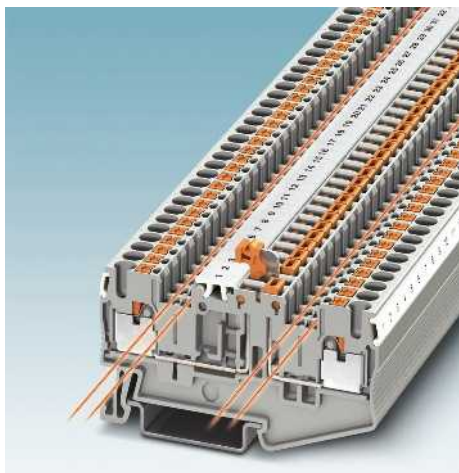
UC-TMF 6, UCT-TMF 6 or ZBF 6
(see Catalog 5)

UC-TM 5, UCT-TM 5 or ZB 5
(see Catalog 5)
UC-TMF 5, UCT-TMF 5 or ZBF 5
(see Catalog 5)

UC-TM 5, UCT-TM 5 or ZB 5
(see Catalog 5)
UC-TMF 5, UCT-TMF 5 or ZBF 5
(see Catalog 5)

PT push-in connection terminal blocks

Knife disconnect terminal blocks, can be bridged four times, PT ...-MTB



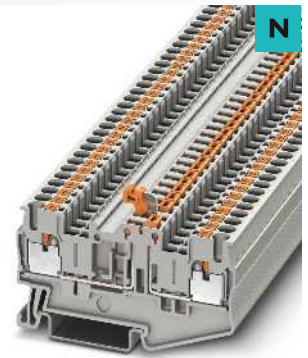
- Knife disconnect terminal block with a double function shaft on each side of the disconnect zone for all tasks involved in time-saving potential infeed and distribution
- Testing facility on both sides of the disconnect point

S-MT switching lock

- The optional switching lock snaps in and effectively prevents accidental switching, see figure below

CLIP PROJECT Planning enables the quick and convenient planning and configuration of fault-free terminal strips.

Notes:
1) The total current of all connected conductors must not exceed the max. load current.
2) 3-pos. termination block.
3) Also see page 480.



2.5 (4) mm², 16 A, knife disconnect terminal block

Dimensions	
	[mm]
Max. electrical data	
I_{max} [A]	16
U_{max} [V]	400
Rated data	
Rated voltage [V]	400
Nominal current / cross section [A] / [mm ²]	16 / 2.5
Rated cross section [mm ²]	2.5
Cross section range AWG	26 - 12
Disconnect level rated data	
Nominal current / cross section [A] / [mm ²]	- / -
Connection capacity	
1 conductor [mm ²]	0.14 - 4
Two stranded conductors with a TWIN ferrule [mm ²]	0.14 - 2.5
Direct plug-in connection cross sections [mm ²]	0.34 - 4
General data	
Stripping length [mm]	10
Insulating material	PA
Inflammability class according to UL 94	V0

Technical data				
Width	Length	Height NS 35/7,5		
5.2	70.1	36.7		
I _{max} [A]	U _{max} [V]	max. Ø [mm ²]	AWG	
16	400	0.14 - 4	26 - 12	
IEC 60947-7-1				
IEC	UL/CUL	CSA	IEC/EN 60079-7	
Rated voltage [V]	-	-	-	
Nominal current / cross section [A] / [mm ²]	- / -	-	-	
Rated cross section [mm ²]	-	-	-	
Cross section range AWG	-	-	-	
Disconnect level rated data				
IEC	UL/CUL	CSA	IEC/EN 60079-7	
Nominal current / cross section [A] / [mm ²]	- / -	-	-	
Connection capacity				
	solid	stranded	Ferrule	
			Without / with plastic sleeve	
1 conductor [mm ²]	0.14 - 4	0.14 - 2.5	0.14 - 2.5	0.14 - 2.5
Two stranded conductors with a TWIN ferrule [mm ²]	-	-	-	0.5
Direct plug-in connection cross sections [mm ²]	0.34 - 4	-	0.34 - 2.5	0.34 - 2.5
General data				
Stripping length [mm]	10			
Insulating material	PA			
Inflammability class according to UL 94	V0			

Description	No. of pos.	Color
Terminal block, for mounting on NS 35...		gray blue gray

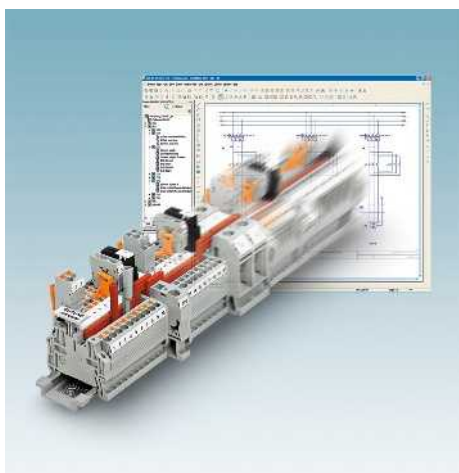
Ordering data			
Type	I _{max}	Order No.	Pcs. / Pkt.
PT 2,5-MTB		3210157	50
PT 2,5-MTB BU		3210163	50

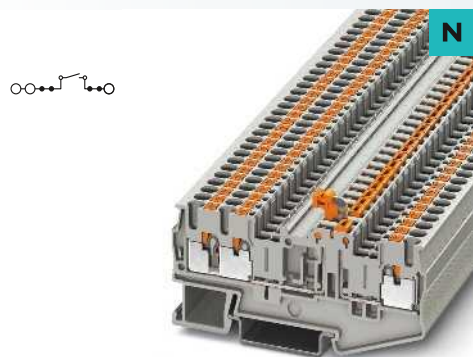
Cover, width 2.2 mm		gray
Insulation stop sleeve, cross section range:		
0.08 - 0.2 mm ²		white
0.25 - 0.5 mm ²		gray
0.75 - 1 mm ²		black
Plug-in bridge		
	2	red
	3	red
	4	red
	5	red
	10	red
	20	red
Switching lock, plug-in ³⁾		white
Test adapter, 4-mm test socket hole		gray
Test plug metal part, 2.3 mm Ø		
Insulating sleeve, for MPS metal part		red
Modular test plug, for the individual assembly of test plug strips		red
Screwdriver		

Accessories			
D-PT 2,5-MTB		Order No.	Pcs. / Pkt.
		3210196	50
ISH 2,5/0,2		3002843	50
ISH 2,5/0,5		3002856	50
ISH 2,5/1,0		3002869	50
FBS 2-5	24 A	3030161	50
FBS 3-5	24 A	3030174	50
FBS 4-5	24 A	3030187	50
FBS 5-5	24 A	3030190	50
FBS 10-5	24 A	3030213	10
FBS 20-5	24 A	3030226	10
S-MT		3247954	50
PAI-4-N GY		3032871	10
MPS-MT		0201744	10
MPS-IH RD		0201676	10
PS-5		3030983	10
SZF 1-0,6X3,5		1204517	10

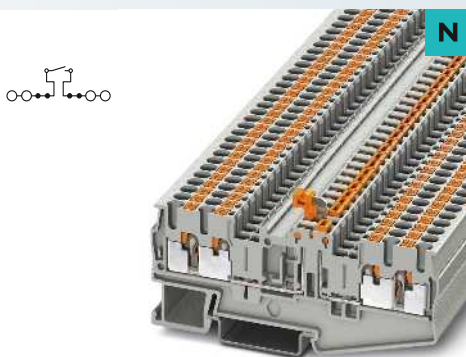
Center groove labeling
Center and lateral groove labeling

UC-TM 5, UCT-TM 5 or ZB 5 (see Catalog 5)
UC-TMF 5, UCT-TMF 5 or ZBF 5 (see Catalog 5)

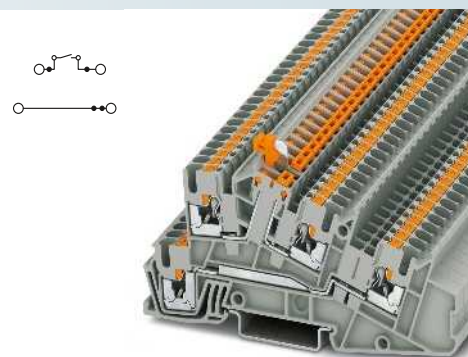




2.5 (4) mm², 16 A, knife disconnect terminal block, 3 connections



2.5 (4) mm², 16 A, knife disconnect terminal block, 4 connections



4 (4) mm², 30 A, three-level terminal block, 1 x L phase conductor, 1 x L phase conductor can be disconnected



Technical data			
Width	Length	Height NS 35/7,5	
5.2	81.9	36.7	
I_{max} [A]	U_{max} [V]	max. Ø [mm ²]	AWG
16 ¹⁾	400	0.14 - 4	26 - 12
IEC 60947-7-1			
IEC	UL/CUL	CSA	IEC/EN 60079-7
400	-	-	-
16 ¹⁾ / 2.5	- / -	-	-
2.5	-	-	-
26 - 12	-	-	-
IEC	UL/CUL	CSA	IEC/EN 60079-7
-	- / -	-	-
solid	stranded	Ferrule	
Without / with plastic sleeve			
0.14 - 4	0.14 - 2.5	0.14 - 2.5	0.14 - 2.5
0.5			
0.34 - 4	-	0.34 - 2.5	0.34 - 2.5
10			
PA			
V0			

Technical data			
Width	Length	Height NS 35/7,5	
5.2	92.2	36.7	
I_{max} [A]	U_{max} [V]	max. Ø [mm ²]	AWG
16 ¹⁾	400	0.14 - 4	26 - 12
IEC 60947-7-1			
IEC	UL/CUL	CSA	IEC/EN 60079-7
400	-	-	-
16 ¹⁾ / 2.5	- / -	-	-
2.5	-	-	-
26 - 12	-	-	-
IEC	UL/CUL	CSA	IEC/EN 60079-7
-	- / -	-	-
solid	stranded	Ferrule	
Without / with plastic sleeve			
0.14 - 4	0.14 - 2.5	0.14 - 2.5	0.14 - 2.5
0.5			
0.34 - 4	-	0.34 - 2.5	0.34 - 2.5
10			
PA			
V0			

Technical data			
Width	Length	Height NS 35/7,5	
5.2	101	50.5	
I_{max} [A]	U_{max} [V]	max. Ø [mm ²]	AWG
30 ²⁾	400	0.14 - 4	26 - 12
IEC			
IEC	UL/CUL	CSA	IEC/EN 60079-7
400	300	-	-
24 / 4	20 / -	-	-
4	-	-	-
26 - 12	26-12	-	-
IEC	UL/CUL	CSA	IEC/EN 60079-7
16 / 1.5	20 / -	-	-
solid	stranded	Ferrule	
Without / with plastic sleeve			
0.14 - 4	0.14 - 4	0.14 - 2.5	0.14 - 2.5
0.5			
0.34 - 4	-	0.34 - 2.5	0.34 - 2.5
10			
PA			
V0			

Ordering data			
Type	I_{max}	Order No.	Pcs. / Pkt.
PT 2,5-TWIN-MTB		3210170	50
PT 2,5-TWIN-MTB BU		3210177	50

Ordering data			
Type	I_{max}	Order No.	Pcs. / Pkt.
PT 2,5-QUATTRO-MTB		3210184	50
PT 2,5-QUATTRO-MTB BU		3210191	50

Ordering data			
Type	I_{max}	Order No.	Pcs. / Pkt.
PTI 2,5-L/LTB		3213958	50
PTI 2,5-PE/L/LTB		3213957	50

Accessories			
D-PT 2,5-TWIN-MTB	3210202	50	
ISH 2,5/0,2	3002843	50	
ISH 2,5/0,5	3002856	50	
ISH 2,5/1,0	3002869	50	
FBS 2-5	24 A 3030161	50	
FBS 3-5	24 A 3030174	50	
FBS 4-5	24 A 3030187	50	
FBS 5-5	24 A 3030190	50	
FBS 10-5	24 A 3030213	10	
FBS 20-5	24 A 3030226	10	
S-MT	3247954	50	
PAI-4-N GY	3032871	10	
MPS-MT	0201744	10	
MPS-IH RD	0201676	10	
PS-5	3030983	10	
SZF 1-0,6X3,5	1204517	10	

Accessories			
D-PT 2,5-QUATTRO-MTB	3210209	50	
ISH 2,5/0,2	3002843	50	
ISH 2,5/0,5	3002856	50	
ISH 2,5/1,0	3002869	50	
FBS 2-5	24 A 3030161	50	
FBS 3-5	24 A 3030174	50	
FBS 4-5	24 A 3030187	50	
FBS 5-5	24 A 3030190	50	
FBS 10-5	24 A 3030213	10	
FBS 20-5	24 A 3030226	10	
S-MT	3247954	50	
PAI-4-N GY	3032871	10	
MPS-MT	0201744	10	
MPS-IH RD	0201676	10	
PS-5	3030983	10	
SZF 1-0,6X3,5	1204517	10	

Accessories			
D-PTI/3B	3213976	50	
FBS 2-5	24 A 3030161	50	
FBS 3-5	24 A 3030174	50	
FBS 4-5	24 A 3030187	50	
FBS 5-5	24 A 3030190	50	
FBS 10-5	24 A 3030213	10	
FBS 20-5	24 A 3030226	10	
S-MT	3247954	50	
PAI-4-N GY	3032871	10	
MPS-MT	0201744	10	
MPS-IH RD	0201676	10	
PS-5	3030983	10	
SZF 1-0,6X3,5	1204517	10	

UC-TM 5, UCT-TM 5 or ZB 5
(see Catalog 5)
UC-TMF 5, UCT-TMF 5 or ZBF 5
(see Catalog 5)

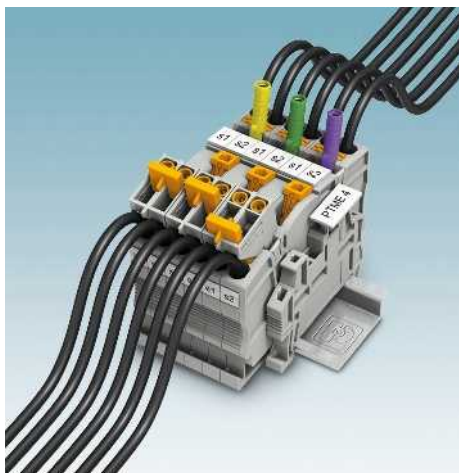
UC-TM 5, UCT-TM 5 or ZB 5
(see Catalog 5)
UC-TMF 5, UCT-TMF 5 or ZBF 5
(see Catalog 5)

UC-TM 5, UCT-TM 5 or ZB 5
(see Catalog 5)
UC-TMF 5, UCT-TMF 5 or ZBF 5
(see Catalog 5)

Modular terminal blocks - CLIPLINE complete

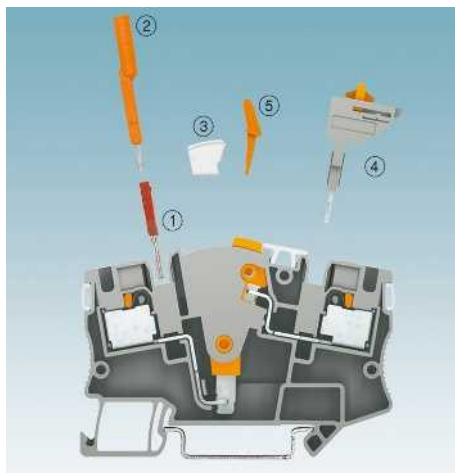
PT push-in connection terminal blocks

PTME 4 test disconnect terminal blocks

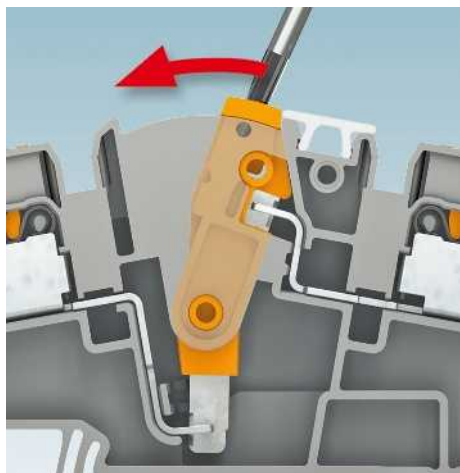


The PTME 4 test disconnect terminal blocks with push-in technology are characterized by:

- Compact design
- Easy operation
- Clear arrangement
- Flexible and comprehensive accessories
- Feed-through and ground terminal blocks of the same shape are available



- Current transformer measuring circuit can be created using just two PTME 4
 - Less space required compared to creating circuits with slide-type terminal blocks
- ① FBS... plug-in bridge for cross connection
 - ② 4 mm Ø PAI-4-FIX... test plug adapter
 - ③ S-ME 4 switching lock
 - ④ SB-ME... switching jumper
 - ⑤ C-ME 4/2 connection bridge



- Reliable contacting and latching of the longitudinal isolating switch in the relevant switching state
- Clear selection thanks to printed switching symbols
- Unintentional switching prevented by means of optional switching lock
- Simultaneous actuation of two switches using connection bridge



- SB-ME ... switching jumpers can be positioned and latched on both sides of the disconnect point in the bridge shaft
- Reliably snapped into the end positions
- Contact made via screw terminal points

Notes:

For current carrying capacity of DIN rails, see page 716.

For corresponding AP-ME and AH-ME terminal strip covers, see Catalog 5.

Dimensions

[mm]

Max. electrical data

Rated data

Rated voltage	[V]
Nominal current / cross section	[A] / [mm ²]
Rated cross section	[mm ²]
Cross section range	AWG

Connection capacity

1 conductor	[mm ²]
Two stranded conductors with a TWIN ferrule	[mm ²]
Direct plug-in connection cross sections	[mm ²]

General data

Stripping length	[mm]
Insulating material	
Inflammability class according to UL 94	

Description	No. of pos.	Color
Test disconnect terminal block , for mounting on NS 35		gray
Feed-through terminal block , for mounting on NS 35...		gray
Ground terminal block , for mounting on NS 35...		green-yellow

Cover, width 2.2 mm gray

Switching jumper , plug-in		
	2	gray/orange
	3	gray/orange
	4	gray/orange

Plug-in bridge		
	2	red
	3	red
	4	red
	5	red
	10	red
	20	red

Switching lock, plug-in white

Connection bridge, for connecting two test disconnect terminal blocks orange

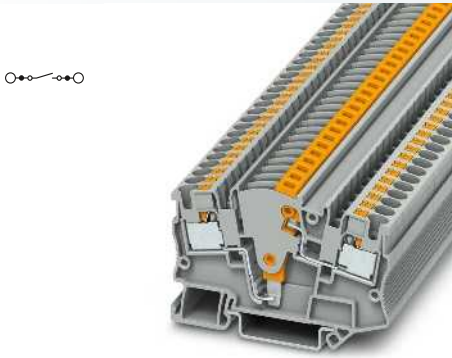
Test adapter, for 4 mm Ø safety test plugs, latches into the bridge shaft orange

	blue
	red
	yellow
	green
	violet
	black
	brown
	gray

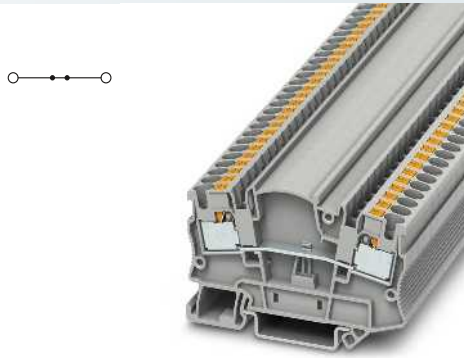
Screwdriver

Center groove labeling

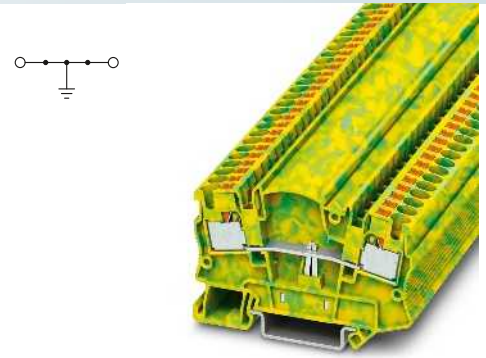
Center and lateral groove labeling



4 (6) mm², 24 A, test disconnect terminal block



4 (6) mm², 32 A, feed-through terminal block, same shape



4 (6) mm², ground terminal block, same shape



Technical data			
Width	Length	Height NS 35/7,5	
6.2	70.5	49.5	
I_{max} [A]	U_{max} [V]	max. \varnothing [mm ²]	AWG
24	500	0.2 - 6	24 - 10
IEC 60947-7-1			
IEC	UL/CUL	CSA	IEC/EN 60079-7
500	300	300	-
24 / 4	26 / -	26 / -	-
4	-	-	-
24 - 10	24-10	24-10	-
solid	stranded	Ferrule Without / with plastic sleeve	
0.2 - 6	0.2 - 4	0.25 - 4	0.25 - 4 0.5 - 1
0.5 - 6	-	0.5 - 4	0.5 - 4
12			
PA			
V0			

Technical data			
Width	Length	Height NS 35/7,5	
6.2	70.5	49.5	
I_{max} [A]	U_{max} [V]	max. \varnothing [mm ²]	AWG
32	500	0.2 - 6	24 - 10
IEC 60947-7-1			
IEC	UL/CUL	CSA	IEC/EN 60079-7
500	300	300	-
32 / 4	26 / -	26 / -	-
4	-	-	-
24 - 10	24-10	24-10	-
solid	stranded	Ferrule Without / with plastic sleeve	
0.2 - 6	0.2 - 4	0.25 - 4	0.25 - 4 0.5 - 1
0.5 - 6	-	0.5 - 4	0.5 - 4
12			
PA			
V0			

Technical data			
Width	Length	Height NS 35/7,5	
6.2	70.5	49.5	
		max. \varnothing [mm ²]	AWG
		0.2 - 6	24 - 10
IEC 60947-7-2			
IEC	UL/CUL	CSA	IEC/EN 60079-7
-	-	-	-
-	- / -	-	-
4	-	-	-
24 - 10	24-10	24-10	-
solid	stranded	Ferrule Without / with plastic sleeve	
0.2 - 6	0.2 - 4	0.25 - 4	0.25 - 4 0.5 - 1
0.5 - 6	-	0.5 - 4	0.5 - 4
12			
PA			
V0			

Ordering data			
Type	I_{max}	Order No.	Pcs. / Pkt.
PTME 4		3212139	50

Ordering data			
Type	I_{max}	Order No.	Pcs. / Pkt.
PTMED 4		3212141	50

Ordering data			
Type	Order No.	Pcs. / Pkt.	
PTMED 4-PE	3212154	50	

Accessories			
D-PTME 4		3212167	10
SB-ME 2-6	25 A	3035755	10
SB-ME 3-6	25 A	3035756	10
SB-ME 4-6	25 A	3035757	10
FBS 2-6	32 A	3030336	50
FBS 3-6	32 A	3030242	50
FBS 4-6	32 A	3030255	50
FBS 5-6	32 A	3030349	50
FBS 10-6	32 A	3030271	10
FBS 20-6	32 A	3030365	10
S-ME 4		3035758	10
C-ME 4/2		3035759	10
C-ME 4/3		3035760	10
PAI-4-FIX-5/6 OG		3035974	10
PAI-4-FIX-5/6 BU		3035975	10
PAI-4-FIX-5/6 RD		3035976	10
PAI-4-FIX-5/6 YE		3035977	10
PAI-4-FIX-5/6 GN		3035978	10
PAI-4-FIX-5/6 VT		3035979	10
PAI-4-FIX-5/6 BK		3035980	10
PAI-4-FIX-5/6 BN		3035981	10
PAI-4-FIX-5/6 GY		3035982	10
SZF 1-0,6X3,5		1204517	10

Accessories			
D-PTME 4		3212167	10
SB-ME 2-6	25 A	3035755	10
SB-ME 3-6	25 A	3035756	10
SB-ME 4-6	25 A	3035757	10
FBS 2-6	32 A	3030336	50
FBS 3-6	32 A	3030242	50
FBS 4-6	32 A	3030255	50
FBS 5-6	32 A	3030349	50
FBS 10-6	32 A	3030271	10
FBS 20-6	32 A	3030365	10
PAI-4-FIX-5/6 OG		3035974	10
PAI-4-FIX-5/6 BU		3035975	10
PAI-4-FIX-5/6 RD		3035976	10
PAI-4-FIX-5/6 YE		3035977	10
PAI-4-FIX-5/6 GN		3035978	10
PAI-4-FIX-5/6 VT		3035979	10
PAI-4-FIX-5/6 BK		3035980	10
PAI-4-FIX-5/6 BN		3035981	10
PAI-4-FIX-5/6 GY		3035982	10
SZF 1-0,6X3,5		1204517	10

Accessories			
FBS 2-6		3030336	50
FBS 3-6		3030242	50
FBS 4-6		3030255	50
FBS 5-6		3030349	50
FBS 10-6		3030271	10
FBS 20-6		3030365	10
PAI-4-FIX-5/6 OG		3035974	10
PAI-4-FIX-5/6 BU		3035975	10
PAI-4-FIX-5/6 RD		3035976	10
PAI-4-FIX-5/6 YE		3035977	10
PAI-4-FIX-5/6 GN		3035978	10
PAI-4-FIX-5/6 VT		3035979	10
PAI-4-FIX-5/6 BK		3035980	10
PAI-4-FIX-5/6 BN		3035981	10
PAI-4-FIX-5/6 GY		3035982	10
SZF 1-0,6X3,5		1204517	10

UC-TM 6, UCT-TM 6 or ZB 6
(see Catalog 5)
UC-TMF 6, UCT-TMF 6 or ZBF 6
(see Catalog 5)

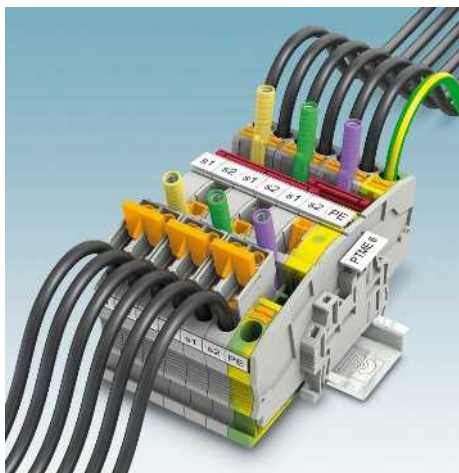
UC-TM 6, UCT-TM 6 or ZB 6
(see Catalog 5)
UC-TMF 6, UCT-TMF 6 or ZBF 6
(see Catalog 5)

UC-TM 6, UCT-TM 6 or ZB 6
(see Catalog 5)
UC-TMF 6, UCT-TMF 6 or ZBF 6
(see Catalog 5)

Modular terminal blocks - CLIPLINE complete

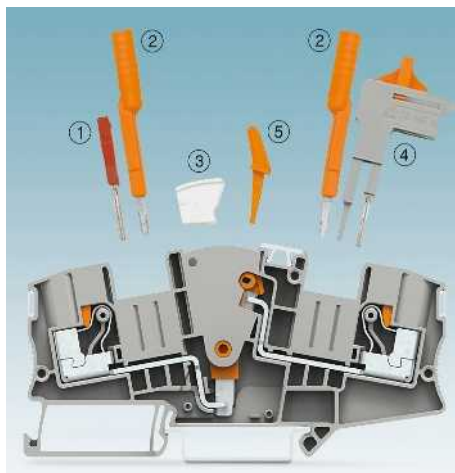
PT push-in connection terminal blocks

PTME 6 test disconnect terminal blocks

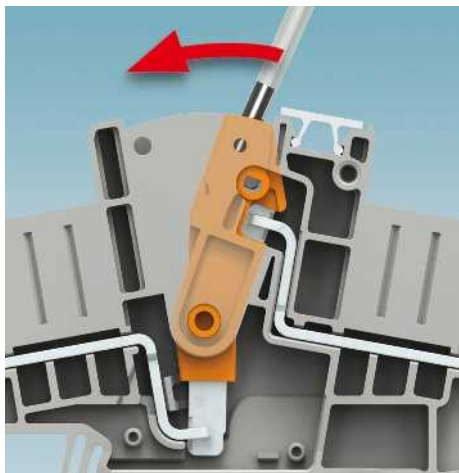


The new PTME 6 test disconnect terminal blocks with push-in technology are characterized by:

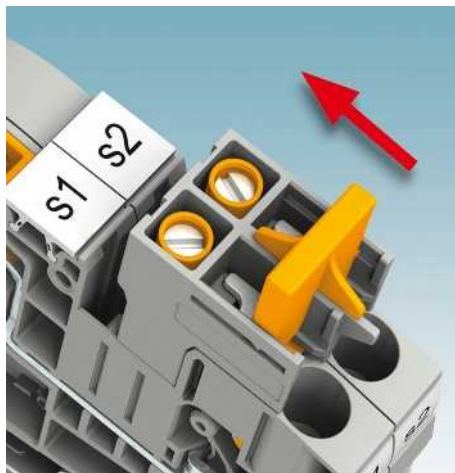
- Compact design
- Easy operation
- Clear arrangement
- Six function shafts
- Flexible and comprehensive accessories
- Feed-through terminal block of the same shape available



- Current transformer measuring circuit can be created using just two PTME 6
- Less space required compared to creating circuits with slide-type terminal blocks
- ① FBS... plug-in bridge for cross connection
- ② 4 mm Ø PAI-4-FIX... test plug adapter
- ③ S-ME 6 switching lock
- ④ SB-ME... switching jumper
- ⑤ C-ME 6/2 connection bridge



- Reliable contacting and latching of the longitudinal isolating switch in the relevant switching state
- Clear selection thanks to printed switching symbols
- Unintentional switching prevented by means of optional switching lock
- Simultaneous actuation of two switches using connection bridge



- SB-ME ... switching jumpers can be positioned and latched on both sides of the disconnect point in the bridge shaft
- Reliably snapped into the end positions
- Contact made via screw terminal points

Notes:

- For current carrying capacity of DIN rails, see page 716.
- For further test adapters, see page 479.
- For further plug-in bridges, see page 472.
- For COMBI plug-in test disconnect terminal blocks, see page 373.
- For corresponding AP-ME and AH-ME terminal strip covers, see Catalog 5.

Dimensions

[mm]

Max. electrical data

Rated data

Rated voltage [V]
Nominal current / cross section [A] / [mm²]
Rated cross section [mm²]
Cross section range AWG

Connection capacity

1 conductor [mm²]
Two stranded conductors with a TWIN ferrule [mm²]
Direct plug-in connection cross sections [mm²]

General data

Stripping length [mm]
Insulating material
Inflammability class according to UL 94

Description	No. of pos.	Color
Test disconnect terminal block , for mounting on NS 35		gray
Feed-through terminal block , for mounting on NS 35...		gray
Ground terminal block , for mounting on NS 35...		green-yellow

Cover, width 2,2 mm gray

Switching jumper, plug-in	No. of pos.	Color
	2	gray/orange
	3	gray/orange
	4	gray/orange

Plug-in bridge

Plug-in bridge	No. of pos.	Color
	2	red
	5	red
	10	red

Pre-assembled bridge, labeled

Pre-assembled bridge, labeled	No. of pos.	Color
3-pos., positions 1, 3	2	red
4-pos., positions 1, 4	2	red
5-pos., positions 1, 3, 5	3	red
10-pos. positions 1, 4, 7, 10	4	red

Switching lock, plug-in

white

Connection bridge, for connecting two test disconnect terminal blocks

orange

Test adapter, for 4-mm-Ø safety test plug, snapped into bridge shaft

orange

yellow

green

violet

gray

Partition plate, with storage option for switching jumpers

Screwdriver

Center groove labeling

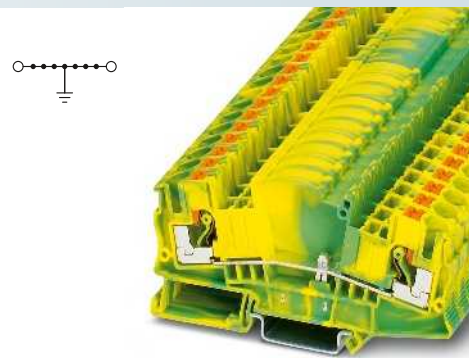
Center and lateral groove labeling



6 (10) mm², 30 A, test disconnect terminal block



6 (10) mm², 41 A, feed-through terminal block, same shape



6 (10) mm², ground terminal block, same shape



Technical data				
Width	Length	Height NS 35/7,5		
8.2	100.8	49.6		
I _{max} [A]	U _{max} [V]	max. Ø [mm ²]	AWG	
30	500	0.5 - 10	20 - 8	
IEC 60947-7-1				
IEC	UL/CUL	CSA	IEC/EN 60079-7	
500	600	600	-	
30 / 6	30 / -	30 / -	-	
6	-	-	-	
20 - 8	20-8	20-8	-	
solid	stranded	Ferrule		
Without / with plastic sleeve				
0.5 - 10	0.5 - 6	0.5 - 6	0.5 - 6	0.5 - 1.5
1 - 10	-	1 - 6	1 - 6	
12				
PA				
V0				

Technical data				
Width	Length	Height NS 35/7,5		
8.2	100.8	49.6		
I _{max} [A]	U _{max} [V]	max. Ø [mm ²]	AWG	
41	500	0.5 - 10	20 - 8	
IEC 60947-7-1				
IEC	UL/CUL	CSA	IEC/EN 60079-7	
500	600	600	-	
41 / 6	30 / -	30 / -	-	
6	-	-	-	
20 - 8	20-8	20-8	-	
solid	stranded	Ferrule		
Without / with plastic sleeve				
0.5 - 10	0.5 - 6	0.5 - 6	0.5 - 6	0.5 - 1.5
1 - 10	-	1 - 6	1 - 6	
12				
PA				
V0				

Technical data				
Width	Length	Height NS 35/7,5		
8.2	100.8	49.6		
I _{max} [A]	U _{max} [V]	max. Ø [mm ²]	AWG	
		0.5 - 10	20 - 8	
IEC 60947-7-2				
IEC	UL/CUL	CSA	IEC/EN 60079-7	
-	-	-	-	
-	- / -	-	-	
6	-	-	-	
20 - 8	20-8	20-8	-	
solid	stranded	Ferrule		
Without / with plastic sleeve				
0.5 - 10	0.5 - 6	0.5 - 6	0.5 - 6	0.5 - 1.5
1 - 10	-	1 - 6	1 - 6	
12				
PA				
V0				

Ordering data			
Type	I _{max}	Order No.	Pcs. / Pkt.
PTME 6		3212170	50

Ordering data			
Type	I _{max}	Order No.	Pcs. / Pkt.
PTMED 6		3212183	50

Ordering data			
Type	Order No.	Pcs. / Pkt.	
PTMED 6-PE	3212196	50	

Accessories			
D-DTME 6		3034426	10
SB-ME 2-8	30 A	3034468	10
SB-ME 3-8	30 A	3032800	10
SB-ME 4-8	30 A	3034484	10
FBS 2-8	41 A	3030284	10
FBS 5-8	41 A	3030310	10
FBS 10-8	41 A	3030323	10
FBS 1/3-8	41 A	3032363	10
FBS 1/4-8	41 A	3032376	10
FBS 1/3/5-8	41 A	3032389	10
FBS 1/4/7/10-8	41 A	3032402	10
S-ME 6		3034439	10
C-ME 6/2		3034442	10
C-ME 6/3		3034390	50
PAI-4-FIX OG		3034455	10
PAI-4-FIX YE		3032745	10
PAI-4-FIX GN		3032758	10
PAI-4-FIX VT		3032761	10
CARRIER 35-8		3034387	10
SZF 2-0,8X4,0		1204520	10

Accessories			
D-DTME 6		3034426	10
SB-ME 2-8	30 A	3034468	10
SB-ME 3-8	30 A	3032800	10
SB-ME 4-8	30 A	3034484	10
FBS 2-8	41 A	3030284	10
FBS 5-8	41 A	3030310	10
FBS 10-8	41 A	3030323	10
FBS 1/3-8	41 A	3032363	10
FBS 1/4-8	41 A	3032376	10
FBS 1/3/5-8	41 A	3032389	10
FBS 1/4/7/10-8	41 A	3032402	10
PAI-4-FIX OG		3034455	10
PAI-4-FIX YE		3032745	10
PAI-4-FIX GN		3032758	10
PAI-4-FIX VT		3032761	10
CARRIER 35-8		3034387	10
SZF 2-0,8X4,0		1204520	10

Accessories			
D-DTME 6		3034426	10
FBS 2-8		3030284	10
FBS 5-8		3030310	10
FBS 10-8		3030323	10
FBS 1/3-8		3032363	10
FBS 1/4-8		3032376	10
FBS 1/3/5-8		3032389	10
FBS 1/4/7/10-8		3032402	10
PAI-4-FIX OG		3034455	10
PAI-4-FIX YE		3032745	10
PAI-4-FIX GN		3032758	10
PAI-4-FIX VT		3032761	10
CARRIER 35-8		3034387	10
SZF 2-0,8X4,0		1204520	10

UC-TM 8, UCT-TM 8 or ZB 8
(see Catalog 5)
UC-TMF 8, UCT-TMF 8 or ZBF 8
(see Catalog 5)

UC-TM 8, UCT-TM 8 or ZB 8
(see Catalog 5)
UC-TMF 8, UCT-TMF 8 or ZBF 8
(see Catalog 5)

UC-TM 8, UCT-TM 8 or ZB 8
(see Catalog 5)
UC-TMF 8, UCT-TMF 8 or ZBF 8
(see Catalog 5)

Modular terminal blocks - CLIPLINE complete

PT push-in connection terminal blocks

1000 V, PTME 6...HV disconnect and diode terminal blocks for photovoltaics

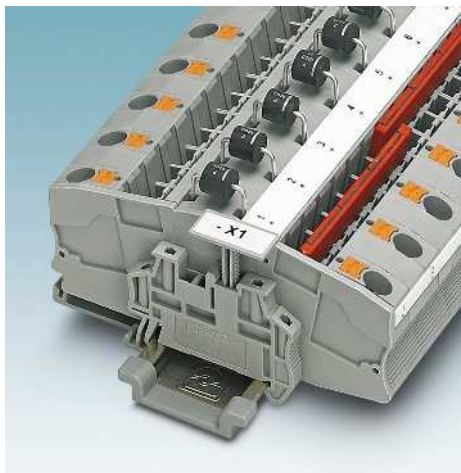


The new disconnect and diode terminal blocks were designed especially for applications in solar technology and are characterized by:

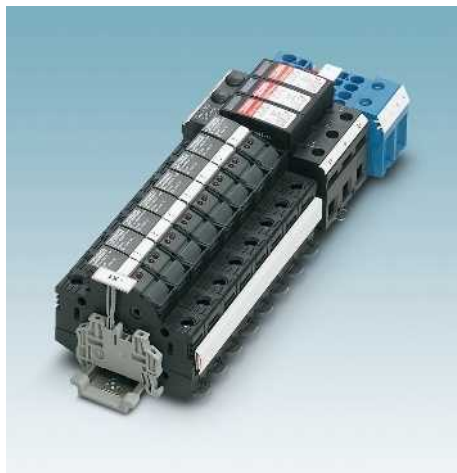
- A dielectric strength of up to 1000 V DC
- Continuous function shafts allow the individual PV lines to be easily grouped using plug-in bridges



- Connection of standard solar cables up to 6 mm² and with 7.5 mm outside diameter



- A space-saving design of the same shape for compact generator switching boxes
- The DP-STMED 6 spacer plate provides sufficient space between two neighboring diode terminal blocks, see figure below



- Fuse terminal blocks up to 1500 V are available for protecting monocrystalline and polycrystalline PV lines, see page 538

Notes:

If several diode terminal blocks need adding to the DIN rail, a spacer plate must be placed between them.

Covers should ensure that the parts are not touched.

For corresponding AP-ME and AH-ME terminal strip covers, see Catalog 5.

For further test adapters, see page 479.

For further plug-in bridges, see page 472.

For further fuse terminal blocks, see page 534.

¹⁾ If the diode is loaded with 5 A, the surface temperature reaches 140°C.

²⁾ 1000 V reverse voltage.

Dimensions

[mm]

Max. electrical data

Rated data

Rated voltage [V]

Nominal current / cross section [A] / [mm²]

Rated cross section [mm²]

Cross section range AWG

Connection capacity

1 conductor [mm²]

Two stranded conductors with a TWIN ferrule [mm²]

Direct plug-in connection cross sections [mm²]

General data

Stripping length [mm]

Insulating material

Inflammability class according to UL 94

Description	No. of pos.	Color
Terminal block , for mounting on NS 35...		gray blue
Spacer plate		gray
Terminal block , with integrated diode, conducting from left to right		gray
Terminal block , with integrated diode, conducting from right to left		gray
Terminal block , for soldering in a component		gray

Cover, width 2.2 mm gray

Switching jumper, plug-in

2 gray/orange

3 gray/orange

4 gray/orange

Plug-in bridge

2 red

5 red

6 red

10 red

Switching lock, plug-in white

Connection bridge, for connecting two test disconnect terminal blocks orange

3-pos. orange

Test adapter, for 4-mm-Ø safety test plug, snapped into bridge shaft orange

yellow

green

violet

black

blue

gray

Partition plate, with storage option for switching jumpers

Screwdriver

Center groove labeling

Center and lateral groove labeling



6 (10) mm², 30 A, 1000 V, disconnect terminal block

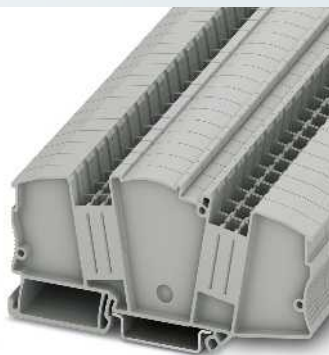


Technical data			
Width	Length	Height NS 35/7,5	
8.2	100.8	49.6	
I_{max} [A]	U_{max} [V]	max. Ø [mm ²]	AWG
30	1000	0.5 - 10	20 - 8
IEC 60947-7-1			
IEC	UL/CUL	CSA	IEC/EN 60079-7
1000	600	-	-
30 / 6	30 / -	-	-
6	-	-	-
20 - 8	20-8	-	-
solid	stranded	Ferrule Without / with plastic sleeve	
0.5 - 10	0.5 - 6	0.5 - 6	0.5 - 6 0.5 - 1.5
1 - 10	-	1 - 6	1 - 6
12			
PA			
V0			

Ordering data			
Type	I_{max}	Order No.	Pcs. / Pkt.
PTME 6 HV		3035696	50
PTME 6 HV BU		3035695	50

Accessories			
D-DTME 6		3034426	10
SB-ME 2-8	30 A	3034468	10
SB-ME 3-8	30 A	3032800	10
SB-ME 4-8	30 A	3034484	10
FBS 2-8	41 A	3030284	10
FBS 5-8	41 A	3030310	10
FBS 6-8	41 A	3032470	10
FBS 10-8	41 A	3030323	10
S-ME 6		3034439	10
C-ME 6/2		3034442	10
C-ME 6/3		3034390	50
PAI-4-FIX OG		3034455	10
PAI-4-FIX YE		3032745	10
PAI-4-FIX GN		3032758	10
PAI-4-FIX VT		3032761	10
PAI-4-FIX BK		3032774	10
PAI-4-FIX BU		3032729	10
CARRIER 35-8		3034387	10
SZF 2-0,8X4,0		1204520	10

UC-TM 8, UCT-TM 8 or ZB 8
(see Catalog 5)
UC-TMF 8, UCT-TMF 8 or ZBF 8
(see Catalog 5)



Spacer plate, same shape

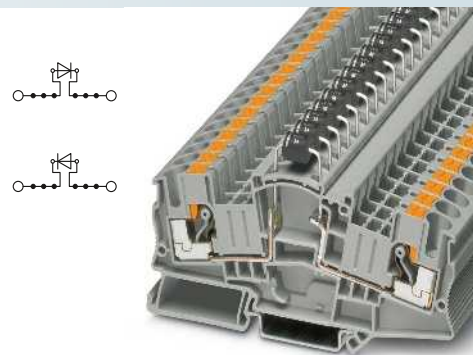


Technical data			
Width	Length	Height NS 35/7,5	
8.2	100.8	49.6	
		max. Ø [mm ²]	AWG
		-	-
IEC 60947-7-1			
IEC	UL/CUL	CSA	IEC/EN 60079-7
-	-	-	-
-	- / -	-	-
-	-	-	-
-	-	-	-
solid	stranded	Ferrule Without / with plastic sleeve	
-	-	-	-
-	-	-	-
12			
PA			
V0			

Ordering data			
Type	Order No.	Pcs. / Pkt.	
DP-STMED 6	3035690	50	

Accessories			
D-DTME 6		3034426	10
FBS 2-8	41 A	3030284	10
FBS 5-8	41 A	3030310	10
FBS 6-8	41 A	3032470	10
FBS 10-8	41 A	3030323	10
PAI-4-FIX OG		3034455	10
PAI-4-FIX YE		3032745	10
PAI-4-FIX GN		3032758	10
PAI-4-FIX VT		3032761	10
PAI-4-FIX BK		3032774	10
PAI-4-FIX BU		3032729	10
CARRIER 35-8		3034387	10
SZF 2-0,8X4,0		1204520	10

UC-TM 8, UCT-TM 8 or ZB 8
(see Catalog 5)
UC-TMF 8, UCT-TMF 8 or ZBF 8
(see Catalog 5)



6 (10) mm², 5 A, 1000 V, diode terminal block, same shape



Technical data			
Width	Length	Height NS 35/7,5	
8.2	100.8	60	
I_{max} [A]	U_{max} [V]	max. Ø [mm ²]	AWG
5 ¹⁾	1000 ²⁾	0.5 - 10	20 - 8
IEC 60947-7-1			
IEC	UL/CUL	CSA	IEC/EN 60079-7
1000 ²⁾	600	-	-
5 ¹⁾ / 6	10 / -	-	-
6	-	-	-
20 - 8	20-8	-	-
solid	stranded	Ferrule Without / with plastic sleeve	
0.5 - 10	0.5 - 6	0.5 - 6	0.5 - 6 0.5 - 1.5
1 - 10	-	1 - 6	1 - 6
12			
PA			
V0			

Ordering data			
Type	I_{max}	Order No.	Pcs. / Pkt.
PTME 6-DIO/L-R HV		3035697	50
PTME 6-DIO/R-L HV		3035698	50
PTME 6-BE		3035687	50

Accessories			
D-DTME 6		3034426	10
FBS 2-8	41 A	3030284	10
FBS 5-8	41 A	3030310	10
FBS 6-8	41 A	3032470	10
FBS 10-8	41 A	3030323	10
PAI-4-FIX OG		3034455	10
PAI-4-FIX YE		3032745	10
PAI-4-FIX GN		3032758	10
PAI-4-FIX VT		3032761	10
PAI-4-FIX BK		3032774	10
PAI-4-FIX BU		3032729	10
CARRIER 35-8		3034387	10
SZF 2-0,8X4,0		1204520	10

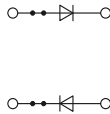
UC-TM 8, UCT-TM 8 or ZB 8
(see Catalog 5)
UC-TMF 8, UCT-TMF 8 or ZBF 8
(see Catalog 5)

Modular terminal blocks - CLIPLINE complete

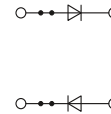
PT push-in connection terminal blocks

PT ...-DIO... diode terminal blocks

- Diode terminal blocks handle a large number of switching tasks
- Versions with diode conducting direction from left to right or vice versa
- Multi-conductor connection terminal blocks available



2.5 (4) mm², 0.5 A, diode terminal block



4 (6) mm², 1.5 A, diode terminal block with 1N 5408

Notes:
 1) The max. current is determined by the diode. Integrated: diode 1N 4007, reverse voltage: 1300 V, maximum continuous current: 0.5 A.
 2) The max. current is determined by the diode. Integrated: diode 1N 5408, reverse voltage: 1000 V, maximum continuous current 1.5 A.



Dimensions		[mm]
Max. electrical data		
Rated data		
Rated voltage	[V]	800
Nominal current / cross section	[A] / [mm ²]	0.5 ¹⁾ / 1
Rated cross section	[mm ²]	2.5
Cross section range	AWG	26 - 12
Connection capacity		
1 conductor	[mm ²]	0.14 - 4
Two stranded conductors with a TWIN ferrule	[mm ²]	0.14 - 2.5
Direct plug-in connection cross sections	[mm ²]	0.34 - 4
General data		
Stripping length	[mm]	10
Insulating material		PA
Inflammability class according to UL 94		V0

Technical data				
Width	Length	Height NS 35/7,5		
5.2	48.5	36.5		
I _{max} [A]	U _{max} [V]	max. Ø [mm ²]	AWG	
0.5 ¹⁾	800	0.14 - 4	26 - 12	
IEC	UL/CUL	CSA	IEC/ EN 60079-7	
800	300	300	-	
0.5 ¹⁾ / 1	20 / -	0.5 / -	-	
2.5	-	-	-	
26 - 12	26-12	26-12	-	
solid		stranded		Ferrule
				Without / with plastic sleeve
0.14 - 4	0.14 - 2.5	0.14 - 2.5	0.14 - 2.5	
				0.5
0.34 - 4	-	0.34 - 2.5	0.34 - 2.5	
12				
PA				
V0				

Technical data				
Width	Length	Height NS 35/7,5		
6.2	56	36.5		
I _{max} [A]	U _{max} [V]	max. Ø [mm ²]	AWG	
1.5 ²⁾	800	0.2 - 6	24 - 10	
IEC	UL/CUL	CSA	IEC/ EN 60079-7	
800	600	600	-	
1.5 ²⁾ / 1	1.5 / -	1.5 / -	-	
4	-	-	-	
24 - 10	24-10	24-10	-	
solid		stranded		Ferrule
				Without / with plastic sleeve
0.2 - 6	0.2 - 4	0.25 - 4	0.25 - 4	
				0.5 - 1
0.5 - 6	-	0.5 - 4	0.5 - 4	
12				
PA				
V0				

Description	No. of pos.	Color
Terminal block, with integrated diode, conducting from left to right		gray
Terminal block, with integrated diode, conducting from right to left		gray

Ordering data				
Type	I _{max}	Order No.	Pcs. / Pkt.	
PT 2,5-DIO/L-R		3210224	50	
PT 2,5-DIO/R-L		3210237	50	

Ordering data				
Type	I _{max}	Order No.	Pcs. / Pkt.	
PT 4-DIO 1N 5408/L-R		3212112	50	
PT 4-DIO 1N 5408/R-L		3212125	50	

Accessories					
D-ST 2,5		3030417	50		
D-ST 2,5-0,8 OG		3030511	50		
ISH 2,5/0,2		3002843	50		
ISH 2,5/0,5		3002856	50		
ISH 2,5/1,0		3002869	50		
FBS 2-5	24 A	3030161	50		
FBS 3-5	24 A	3030174	50		
FBS 4-5	24 A	3030187	50		
FBS 5-5	24 A	3030190	50		
FBS 10-5	24 A	3030213	10		
FBS 20-5	24 A	3030226	10		
ATP-ST 4		3030721	50		
PAI-4-N GY		3032871	10		
MPS-MT		0201744	10		
MPS-IH RD		0201676	10		
PS-5		3030983	10		
SZF 1-0,6X3,5		1204517	10		

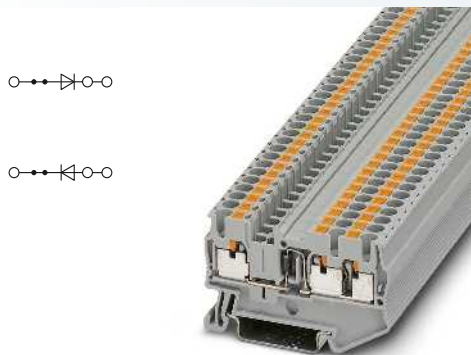
Accessories					
D-ST 4		3030420	50		
ISH 4/0,5		3002885	50		
ISH 4/1,0		3002898	50		
FBS 2-6	32 A	3030336	50		
FBS 3-6	32 A	3030242	50		
FBS 4-6	32 A	3030255	50		
FBS 5-6	32 A	3030349	50		
FBS 10-6	32 A	3030271	10		
FBS 20-6	32 A	3030365	10		
ATP-ST 4		3030721	50		
PAI-4-N GY		3032871	10		
MPS-MT		0201744	10		
MPS-IH RD		0201676	10		
PS-6		3030996	10		
SZF 1-0,6X3,5		1204517	10		

Accessories					
D-ST 4		3030420	50		
ISH 4/0,5		3002885	50		
ISH 4/1,0		3002898	50		
FBS 2-6	32 A	3030336	50		
FBS 3-6	32 A	3030242	50		
FBS 4-6	32 A	3030255	50		
FBS 5-6	32 A	3030349	50		
FBS 10-6	32 A	3030271	10		
FBS 20-6	32 A	3030365	10		
ATP-ST 4		3030721	50		
PAI-4-N GY		3032871	10		
MPS-MT		0201744	10		
MPS-IH RD		0201676	10		
PS-6		3030996	10		
SZF 1-0,6X3,5		1204517	10		

Center groove labeling
Center and lateral groove labeling

UC-TM 5, UCT-TM 5 or ZB 5 (see Catalog 5)
UC-TMF 5, UCT-TMF 5 or ZBF 5 (see Catalog 5)

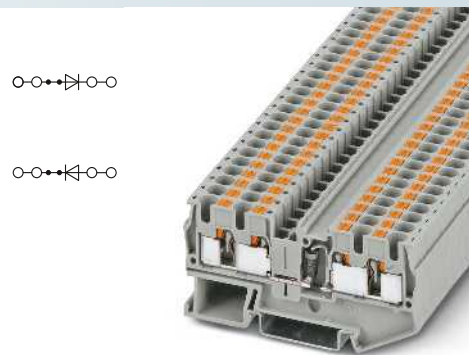
UC-TM 6, UCT-TM 6 or ZB 6 (see Catalog 5)
UC-TMF 6, UCT-TMF 6 or ZBF 6 (see Catalog 5)



2.5 (4) mm², 0.5 A, diode terminal block,
3 connections



2.5 (4) mm², 0.5 A, diode terminal block,
4 connections



4 (6) mm², 1.5 A, diode terminal block with
1N 5408



Technical data			
Width	Length	Height NS 35/7,5	
5.2	60.5	36.5	
I_{max} [A]	U_{max} [V]	max. Ø [mm ²]	AWG
0.5 ¹⁾	800	0.14 - 4	26 - 12
IEC	UL/CUL	CSA	IEC/ EN 60079-7
800	300	300	-
0.5 ¹⁾ / 1	20 / -	0.5 / -	-
2.5	-	-	-
26 - 12	26-12	26-12	-
solid	stranded	Ferrule Without / with plastic sleeve	
0.14 - 4	0.14 - 2.5	0.14 - 2.5	0.14 - 2.5 0.5
0.34 - 4	-	0.34 - 2.5	0.34 - 2.5
10	PA	V0	

Technical data			
Width	Length	Height NS 35/7,5	
5.2	72	36.5	
I_{max} [A]	U_{max} [V]	max. Ø [mm ²]	AWG
0.5 ¹⁾	800	0.14 - 4	26 - 12
IEC	UL/CUL	CSA	IEC/ EN 60079-7
800	300	300	-
0.5 ¹⁾ / 1	20 / -	0.5 / -	-
2.5	-	-	-
26 - 12	26-12	26-12	-
solid	stranded	Ferrule Without / with plastic sleeve	
0.14 - 4	0.14 - 2.5	0.14 - 2.5	0.14 - 2.5 0.5
0.34 - 4	-	0.34 - 2.5	0.34 - 2.5
10	PA	V0	

Technical data			
Width	Length	Height NS 35/7,5	
6.2	77	36.5	
I_{max} [A]	U_{max} [V]	max. Ø [mm ²]	AWG
1.5 ²⁾	800	0.2 - 6	24 - 10
IEC	UL/CUL	CSA	IEC/ EN 60079-7
800	600	600	-
1.5 ²⁾ / 1	1.5 / -	1.5 / -	-
4	-	-	-
24 - 10	24-10	24-10	-
solid	stranded	Ferrule Without / with plastic sleeve	
0.2 - 6	0.2 - 4	0.25 - 4	0.25 - 4 0.5 - 1
0.5 - 6	-	0.5 - 4	0.5 - 4
12	PA	V0	

Ordering data			
Type	I_{max}	Order No.	Pcs. / Pkt.
PT 2,5-TWIN-DIO/L-R		3210240	50
PT 2,5-TWIN-DIO/R-L		3210253	50

Ordering data			
Type	I_{max}	Order No.	Pcs. / Pkt.
PT 2,5-QUATTRO-DIO/L-R		3210266	50
PT 2,5-QUATTRO-DIO/R-L		3210279	50

Ordering data			
Type	I_{max}	Order No.	Pcs. / Pkt.
PT 4-QUATTRO-DIO 1N 5408/L-R		3211919	50
PT 4-QUATTRO-DIO 1N 5408/R-L		3211921	50

Accessories			
D-ST 2,5-TWIN	3030488	50	
D-ST 2,5-TWIN-0,8 OG	3030512	50	
DS-ST 2,5	3036602	10	
ISH 2,5/0,2	3002843	50	
ISH 2,5/0,5	3002856	50	
ISH 2,5/1,0	3002869	50	
FBS 2-5	24 A 3030161	50	
FBS 3-5	24 A 3030174	50	
FBS 4-5	24 A 3030187	50	
FBS 5-5	24 A 3030190	50	
FBS 10-5	24 A 3030213	10	
FBS 20-5	24 A 3030226	10	
ATP-ST-TWIN	3030789	50	
PAI-4-N GY	3032871	10	
MPS-MT	0201744	10	
MPS-IH RD	0201676	10	
PS-5	3030983	10	
SZF 1-0,6X3,5	1204517	10	

Accessories			
D-ST 2,5-QUATTRO	3030514	50	
D-ST 2,5-QUATTRO-0,8 OG	3030513	50	
DS-ST 2,5	3036602	10	
ISH 2,5/0,2	3002843	50	
ISH 2,5/0,5	3002856	50	
ISH 2,5/1,0	3002869	50	
FBS 2-5	24 A 3030161	50	
FBS 3-5	24 A 3030174	50	
FBS 4-5	24 A 3030187	50	
FBS 5-5	24 A 3030190	50	
FBS 10-5	24 A 3030213	10	
FBS 20-5	24 A 3030226	10	
ATP-ST QUATTRO	3030815	50	
PAI-4-N GY	3032871	10	
MPS-MT	0201744	10	
MPS-IH RD	0201676	10	
PS-5	3030983	10	
SZF 1-0,6X3,5	1204517	10	

Accessories			
D-PT 4-QUATTRO	3208979	50	
ISH 4/0,5	3002885	50	
ISH 4/1,0	3002898	50	
FBS 2-6	32 A 3030336	50	
FBS 3-6	32 A 3030242	50	
FBS 4-6	32 A 3030255	50	
FBS 5-6	32 A 3030349	50	
FBS 10-6	32 A 3030271	10	
FBS 20-6	32 A 3030365	10	
ATP-ST QUATTRO	3030815	50	
PAI-4-N GY	3032871	10	
MPS-MT	0201744	10	
MPS-IH RD	0201676	10	
PS-6	3030996	10	
SZF 1-0,6X3,5	1204517	10	

UC-TM 5, UCT-TM 5 or ZB 5
(see Catalog 5)
UC-TMF 5, UCT-TMF 5 or ZBF 5
(see Catalog 5)

UC-TM 5, UCT-TM 5 or ZB 5
(see Catalog 5)
UC-TMF 5, UCT-TMF 5 or ZBF 5
(see Catalog 5)

UC-TM 6, UCT-TM 6 or ZB 6
(see Catalog 5)
UC-TMF 6, UCT-TMF 6 or ZBF 6
(see Catalog 5)

Modular terminal blocks - CLIPLINE complete

PT push-in connection terminal blocks

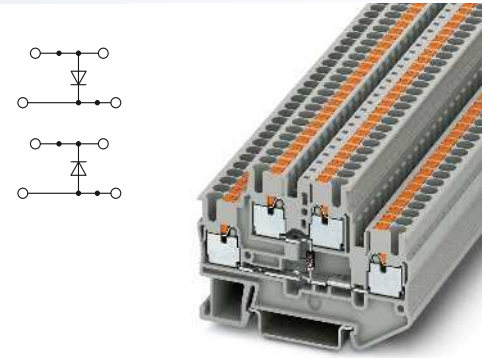
PTTB 2,5... diode and double-level terminal blocks with LED

- Double-level diode and light indicator terminal blocks carry out a great variety of switching tasks
- Compact design with 5.2 mm pitch
- The following can be implemented in tight spaces: freewheeling diode circuits, lamp test circuits, reporting and fault reporting circuits
- Bridgeable on both levels to implement different switching tasks

STP ... double marker carriers

- Optional, large labeling option using STP... double marker carriers

Notes:
1) The max. current is determined by the diode. Integrated: diode 1N 4007, reverse voltage: 1300 V, maximum continuous current: 0.5 A.
2) The operating voltage is determined by the LED version.



2.5 (4) mm², 26 A, double-level diode terminal block



Dimensions	
	[mm]
Max. electrical data	
Rated data	
Rated voltage	[V]
Nominal current / cross section	[A] / [mm ²]
Rated cross section	[mm ²]
Cross section range	AWG
Connection capacity	
1 conductor	[mm ²]
Two stranded conductors with a TWIN ferrule	[mm ²]
Direct plug-in connection cross sections	[mm ²]
General data	
Stripping length	[mm]
Insulating material	
Inflammability class according to UL 94	

Technical data				
Width	Length	Height NS 35/7,5		
5.2	68	47.5		
I _{max} [A]	U _{max} [V]	max. Ø [mm ²]	AWG	
26 ¹⁾	500	0.14 - 4	26 - 12	
IEC	UL/CUL	CSA	IEC/EN 60079-7	
500	300	300	-	
20 ¹⁾ / 2.5	20 / -	0.5 / -	-	
2.5	-	-	-	
26 - 12	26-12	26-12	-	
solid	stranded	Ferrule		
		Without / with plastic sleeve		
0.14 - 4	0.14 - 2.5	0.14 - 2.5	0.14 - 2.5	
		0.5		
0.34 - 4	-	0.34 - 2.5	0.34 - 2.5	
10				
PA				
V0				

Description	No. of pos.	Color
Terminal block, with integrated 1N 4007 diode, conducting from top to bottom		gray
Terminal block, with integrated 1N 4007 diode, conducting from bottom to top		gray
Terminal block, with integrated 1N 4007 diode, conducting from bottom left to bottom right		gray
Terminal block, with two integrated 1N 4007 diodes, conducting direction from top to bottom left and from bottom right to bottom left		gray
Terminal block, with two integrated 1N 4007 diodes, conducting direction from top to bottom left and from top to bottom right		gray
Terminal block, with LED for 12-30 V DC, 0.7-2.4 mA		gray
for 30-60 V DC, 0.8-1.8 mA		gray
for 110-250 V AC/DC, 0.1-0.5 mA		gray
Terminal block, for soldering in a component		gray
Terminal block, with built-in resistor between upper and lower levels, 499 ohms		gray

Ordering data			
Type	I _{max}	Order No.	Pcs. / Pkt.
PTTB 2,5-DIO/O-U		3210923	50
PTTB 2,5-DIO/U-O		3210936	50



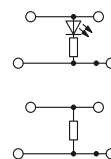
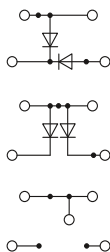
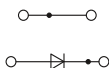
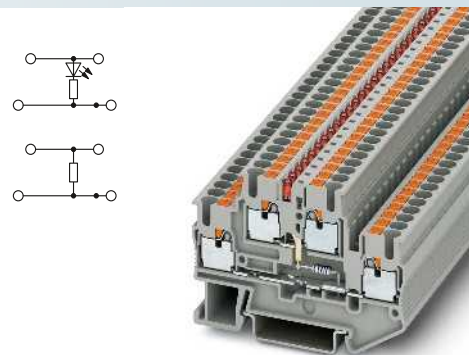
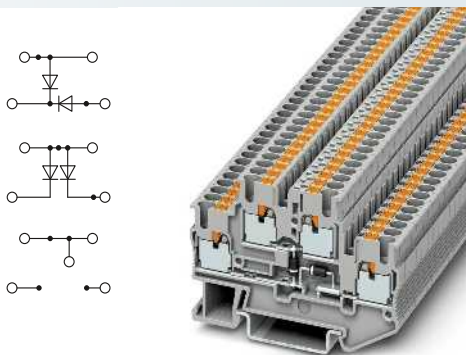
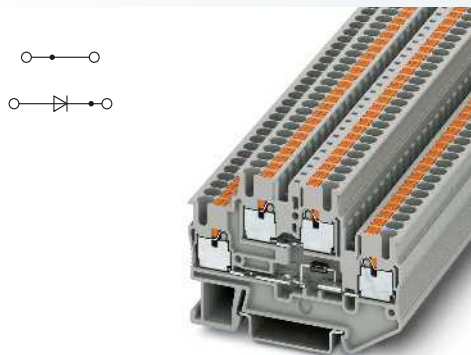
Cover, width 2.2 mm		gray
Plug-in bridge		
	2	red
	3	red
	4	red
	5	red
	10	red
	20	red
Partition plate, 2 mm width		gray
Screwdriver		

Accessories			
D-PTTB 2,5		Order No.	Pcs. / Pkt.
		3211634	50
FBS 2-5	20 A	3030161	50
FBS 3-5	20 A	3030174	50
FBS 4-5	20 A	3030187	50
FBS 5-5	20 A	3030190	50
FBS 10-5	20 A	3030213	10
FBS 20-5	20 A	3030226	10
ATP-STTB 4		3030747	50
SZF 1-0,6X3,5		1204517	10

Center and lateral groove labeling

UC-TMF 5, UCT-TMF 5 or ZBF 5 (see Catalog 5)

PT push-in connection terminal blocks



2.5 (4) mm², 26 A, double-level diode terminal block

2.5 (4) mm², 26 A, double-level diode terminal block

2.5 (4) mm², 24 A, double-level terminal block with light indicator or resistor



Technical data			
Width	Length	Height NS 35/7,5	
5.2	68	47.5	
I_{max} [A]	U_{max} [V]	max. Ø [mm ²]	AWG
26 ¹⁾	500	0.14 - 4	26 - 12
IEC	UL/CUL	CSA	IEC/EN 60079-7
500	300	300	-
20 ¹⁾ / 2.5	20 / -	0.5 / -	-
2.5	-	-	-
26 - 12	26-12	26-12	-
solid	stranded	Ferrule	
Without / with plastic sleeve			
0.14 - 4	0.14 - 2.5	0.14 - 2.5	0.14 - 2.5
0.5			
0.34 - 4	-	0.34 - 2.5	0.34 - 2.5
10	PA	V0	

Technical data			
Width	Length	Height NS 35/7,5	
5.2	68	47.5	
I_{max} [A]	U_{max} [V]	max. Ø [mm ²]	AWG
26 ¹⁾	250	0.14 - 4	26 - 12
IEC	UL/CUL	CSA	IEC/EN 60079-7
250	300	300	-
20 ¹⁾ / 2.5	20 / -	0.5 / -	-
2.5	-	-	-
26 - 12	26-12	26-12	-
solid	stranded	Ferrule	
Without / with plastic sleeve			
0.14 - 4	0.14 - 2.5	0.14 - 2.5	0.14 - 2.5
0.5			
0.34 - 4	-	0.34 - 2.5	0.34 - 2.5
10	PA	V0	

Technical data			
Width	Length	Height NS 35/7,5	
5.2	68	47.5	
I_{max} [A]	U_{max} [V]	max. Ø [mm ²]	AWG
24	500 ²⁾	0.14 - 4	26 - 12
IEC	UL/CUL	CSA	IEC/EN 60079-7
500 ²⁾	300	30	-
20 / 2.5	20 / -	20 / -	-
2.5	-	-	-
26 - 12	24-12	26-12	-
solid	stranded	Ferrule	
Without / with plastic sleeve			
0.14 - 4	0.14 - 2.5	0.14 - 2.5	0.14 - 2.5
0.5			
0.34 - 4	-	0.34 - 2.5	0.34 - 2.5
12	PA	V0	

Ordering data			
Type	I_{max}	Order No.	Pcs. / Pkt.
PTTB 2,5-DIO/UL-UR		3211427	50
PTTB 2,5-2DIO/O-UL/UR-UL		3211430	50
PTTB 2,5-2DIO/O-UL/O-UR		3211443	50
PTTB 2,5-2BE		3211480	50

Ordering data			
Type	I_{max}	Order No.	Pcs. / Pkt.
PTTB 2,5-DIO/UL-UR		3211427	50
PTTB 2,5-2DIO/O-UL/UR-UL		3211430	50
PTTB 2,5-2DIO/O-UL/O-UR		3211443	50
PTTB 2,5-2BE		3211480	50
PTTB 2,5-LA 24 RD		3211456	50
PTTB 2,5-LA 60 RD		3211469	50
PTTB 2,5-LA 230		3211472	50
PTTB 2,5-R499/O-U		3210925	50

Ordering data			
Type	I_{max}	Order No.	Pcs. / Pkt.
PTTB 2,5-DIO/UL-UR		3211427	50
PTTB 2,5-2DIO/O-UL/UR-UL		3211430	50
PTTB 2,5-2DIO/O-UL/O-UR		3211443	50
PTTB 2,5-2BE		3211480	50
PTTB 2,5-LA 24 RD		3211456	50
PTTB 2,5-LA 60 RD		3211469	50
PTTB 2,5-LA 230		3211472	50
PTTB 2,5-R499/O-U		3210925	50

Accessories			
D-PTTB 2,5		3211634	50
FBS 2-5	20 A	3030161	50
FBS 3-5	20 A	3030174	50
FBS 4-5	20 A	3030187	50
FBS 5-5	20 A	3030190	50
FBS 10-5	20 A	3030213	10
FBS 20-5	20 A	3030226	10
ATP-STTB 4		3030747	50
SZF 1-0,6X3,5		1204517	10

Accessories			
D-PTTB 2,5		3211634	50
FBS 2-5	20 A	3030161	50
FBS 3-5	20 A	3030174	50
FBS 4-5	20 A	3030187	50
FBS 5-5	20 A	3030190	50
FBS 10-5	20 A	3030213	10
FBS 20-5	20 A	3030226	10
ATP-STTB 4		3030747	50
SZF 1-0,6X3,5		1204517	10

Accessories			
D-PTTB 2,5		3211634	50
FBS 2-5	20 A	3030161	50
FBS 3-5	20 A	3030174	50
FBS 4-5	20 A	3030187	50
FBS 5-5	20 A	3030190	50
FBS 10-5	20 A	3030213	10
FBS 20-5	20 A	3030226	10
ATP-STTB 4		3030747	50
SZF 1-0,6X3,5		1204517	10

UC-TMF 5, UCT-TMF 5 or ZBF 5 (see Catalog 5)

UC-TMF 5, UCT-TMF 5 or ZBF 5 (see Catalog 5)

UC-TMF 5, UCT-TMF 5 or ZBF 5 (see Catalog 5)

Modular terminal blocks - CLIPLINE complete

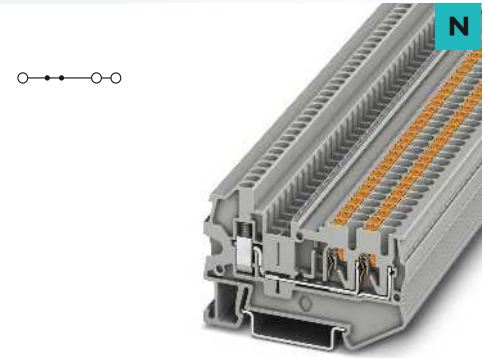
PT push-in connection terminal blocks

PTU ... hybrid terminal blocks with single-sided screw connection

- The advantages of the different connection methods are as follows:
- The push-in TWIN connection is used inside the control cabinet and the universal screw connection is used on the end customer side
- Compact design
- Can be consistently bridged to standard terminal blocks in the PT push-in terminal block series
- Operational large and continuous labeling
- Ground terminal blocks of the same shape meet all the requirements of standard IEC 60947-7-2

CLIP PROJECT Planning enables the quick and convenient planning and configuration of fault-free terminal strips.

Notes:
For current carrying capacity of DIN rails, see page 716.
For UDB 2X... trunk line branch terminals, see page 98.
¹⁾ The total current of all connected conductors must not exceed the max. load current.



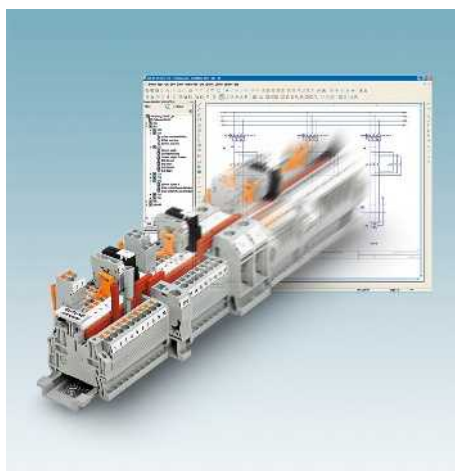
2.5 (4) mm², 28 A, feed-through terminal block

Dimensions		[mm]	
Max. electrical data			
Rated data, screw connection			
Rated voltage	[V]	800	-
Nominal current / cross section	[A] / [mm ²]	24 ¹⁾ / 2.5	-
Rated cross section	[mm ²]	2.5	-
Cross section range	AWG	28 - 12	-
Connection capacity of screw connection			
1 conductor	[mm ²]	0.14 - 4	0.14 - 2.5
Two conductors (of the same type)	[mm ²]	0.14 - 2.5	0.2 - 2.5
Two stranded conductors with a TWIN ferrule	[mm ²]		
Rated data of push-in connection			
Rated voltage	[V]	800	-
Nominal current / cross section	[A] / [mm ²]	24 / 2.5	-
Cross section range	AWG	26 - 12	-
Connection capacity of push-in connection			
1 conductor	[mm ²]	0.14 - 4	0.14 - 2.5
Two conductors with a TWIN ferrule	[mm ²]		0.5
Direct plug-in connection cross sections	[mm ²]	0.34 - 4	2.5
General data			
Stripping length, screw connection	[mm]	9	
Stripping length, push-in connection	[mm]	10	
Screw thread		M3	
Tightening torque	[Nm]	0.6 - 0.8	
Insulating material		PA	
Inflammability class according to UL 94		V0	

Technical data				
Width	Length	Height NS 35/7,5		
5.2	65.3	42.8		
I _{max} [A]	U _{max} [V]	max. Ø [mm ²]	AWG	
28 ¹⁾	800	0.14 - 4	28 - 12	
IEC 60947-7-1				
IEC	UL/CUL	CSA	IEC/EN 60079-7	
Connection capacity of screw connection				
	stranded	Ferrule		
		Without / with plastic sleeve		
0.14 - 4	0.14 - 2.5	0.14 - 2.5	0.14 - 2.5	
0.14 - 2.5	0.2 - 2.5	0.14 - 1.5	-	
			0.5 - 1	
IEC 60947-7-1				
IEC	UL/CUL	CSA	IEC/EN 60079-7	
Connection capacity of push-in connection				
	stranded	Ferrule		
		Without / with plastic sleeve		
0.14 - 4	0.14 - 2.5	0.14 - 2.5	0.14 - 2.5	
			0.5	
0.34 - 4	-	2.5	2.5	

Description	Color
Terminal block , for mounting on NS 35...	gray blue
Ground terminal block , for mounting on NS 35...	green-yellow

Ordering data			
Type	I _{max}	Order No.	Pcs. / Pkt.
PTU 2,5-TWIN		3209515	50
PTU 2,5-TWIN BU		3209516	50



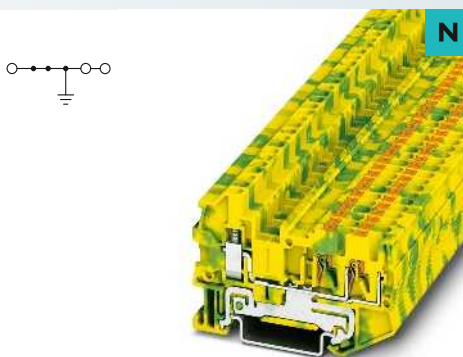
Cover , width 2.2 mm	gray
Insulation stop sleeve , cross section range:	
0.08 - 0.2 mm ²	white
0.25 - 0.5 mm ²	gray
0.75 - 1 mm ²	black
Plug-in bridge	
	2 red
	3 red
	4 red
	5 red
	10 red
	20 red
Partition plate , 2 mm width	gray
Screwdriver	

Accessories			
D-STU 2,5-TWIN		3033045	50
ISH 2,5/0,2		3002843	50
ISH 2,5/0,5		3002856	50
ISH 2,5/1,0		3002869	50
FBS 2-5	24 A	3030161	50
FBS 3-5	24 A	3030174	50
FBS 4-5	24 A	3030187	50
FBS 5-5	24 A	3030190	50
FBS 10-5	24 A	3030213	10
FBS 20-5	24 A	3030226	10
ATP-ST 4		3030721	50
SZF 1-0,6X3,5		1204517	10

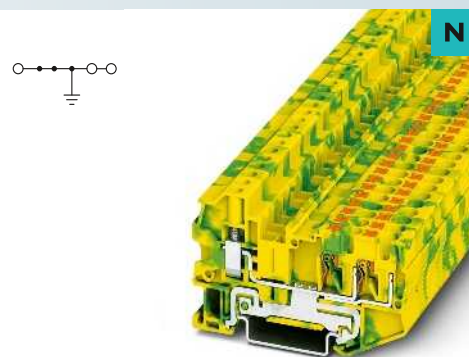
Center groove labeling	UC-TM 5, UCT-TM 5 or ZB 5 (see Catalog 5)
Center and lateral groove labeling	UC-TMF 5, UCT-TMF 5 or ZBF 5 (see Catalog 5)



4 (6) mm², 38 A, feed-through terminal block



2.5 (4) mm², ground terminal block



4 (6) mm², ground terminal block

Technical data			
Width	Length	Height NS 35/7,5	
6.2	69.3	42.8	
I_{max} [A]	U_{max} [V]	max. \varnothing [mm ²]	AWG
38 ¹⁾	800	0.14 - 6	28 - 10
IEC 60947-7-1			
IEC	UL/CUL	CSA	IEC/EN 60079-7
800	-	-	-
32 ¹⁾ / 4	-	-	-
4	-	-	-
28 - 10	-	-	-
solid	stranded	Ferrule Without / with plastic sleeve	
0.14 - 6	0.14 - 4	0.14 - 4	0.14 - 4
0.14 - 1.5	0.14 - 1.5	0.14 - 1.5	-
			0.5 - 2.5
IEC 60947-7-1			
IEC	UL/CUL	CSA	IEC/EN 60079-7
800	-	-	-
32 / 4	-	-	-
24 - 10	-	-	-
solid	stranded	Ferrule Without / with plastic sleeve	
0.2 - 6	0.2 - 4	0.25 - 4	0.25 - 4
			0.5 - 1
0.5 - 6	-	4	4
10			
12			
M3			
0.6 - 0.8			
PA			
V0			

Technical data			
Width	Length	Height NS 35/7,5	
5.2	65.3	42.8	
		max. \varnothing [mm ²]	AWG
		0.14 - 4	28 - 12
IEC 60947-7-2			
IEC	UL/CUL	CSA	IEC/EN 60079-7
-	-	-	-
-	-	-	-
2.5	-	-	-
28 - 12	-	-	-
solid	stranded	Ferrule Without / with plastic sleeve	
0.14 - 4	0.14 - 2.5	0.14 - 2.5	0.14 - 2.5
0.14 - 2.5	0.2 - 2.5	0.14 - 1.5	-
			0.5 - 1
IEC 60947-7-2			
IEC	UL/CUL	CSA	IEC/EN 60079-7
800	-	-	-
-	-	-	-
26 - 12	-	-	-
solid	stranded	Ferrule Without / with plastic sleeve	
0.14 - 4	0.14 - 2.5	0.14 - 2.5	0.14 - 2.5
			0.5
0.34 - 4	-	2.5	2.5
9			
10			
M3			
0.6 - 0.8			
PA			
V0			

Technical data			
Width	Length	Height NS 35/7,5	
6.2	69.3	42.8	
		max. \varnothing [mm ²]	AWG
		0.14 - 6	28 - 10
IEC 60947-7-2			
IEC	UL/CUL	CSA	IEC/EN 60079-7
-	-	-	-
-	-	-	-
4	-	-	-
28 - 10	-	-	-
solid	stranded	Ferrule Without / with plastic sleeve	
0.14 - 6	0.14 - 4	0.14 - 4	0.14 - 4
0.14 - 1.5	0.14 - 1.5	0.14 - 1.5	-
			0.5 - 2.5
IEC 60947-7-2			
IEC	UL/CUL	CSA	IEC/EN 60079-7
-	-	-	-
-	-	-	-
24 - 10	-	-	-
solid	stranded	Ferrule Without / with plastic sleeve	
0.2 - 6	0.2 - 4	0.25 - 4	0.25 - 4
			0.5 - 1
0.5 - 6	-	4	4
10			
12			
M3			
0.6 - 0.8			
PA			
V0			

Ordering data			
Type	I_{max}	Order No.	Pcs. / Pkt.
PTU 4-TWIN		3211859	50
PTU 4-TWIN BU		3211860	50

Ordering data		
Type	Order No.	Pcs. / Pkt.
PTU 2,5-TWIN-PE	3209517	50

Ordering data		
Type	Order No.	Pcs. / Pkt.
PTU 4-TWIN-PE	3211862	50

Accessories			
D-PTU 4-TWIN		3211863	50
ISH 4/0,5		3002885	50
ISH 4/1,0		3002898	50
FBS 2-6	32 A	3030336	50
FBS 3-6	32 A	3030242	50
FBS 4-6	32 A	3030255	50
FBS 5-6	32 A	3030349	50
FBS 10-6	32 A	3030271	10
FBS 20-6	32 A	3030365	10
ATP-ST 4		3030721	50
SZF 1-0,6X3,5		1204517	10

Accessories			
D-STU 2,5-TWIN		3033045	50
ISH 2,5/0,2		3002843	50
ISH 2,5/0,5		3002856	50
ISH 2,5/1,0		3002869	50
FBS 2-5		3030161	50
FBS 3-5		3030174	50
FBS 4-5		3030187	50
FBS 5-5		3030190	50
FBS 10-5		3030213	10
FBS 20-5		3030226	10
ATP-ST 4		3030721	50
SZF 1-0,6X3,5		1204517	10

Accessories			
D-PTU 4-TWIN		3211863	50
ISH 4/0,5		3002885	50
ISH 4/1,0		3002898	50
FBS 2-6		3030336	50
FBS 3-6		3030242	50
FBS 4-6		3030255	50
FBS 5-6		3030349	50
FBS 10-6		3030271	10
FBS 20-6		3030365	10
ATP-ST 4		3030721	50
SZF 1-0,6X3,5		1204517	10

UC-TM 6, UCT-TM 6 or ZB 6
(see Catalog 5)
UC-TMF 6, UCT-TMF 6 or ZBF 6
(see Catalog 5)

UC-TM 5, UCT-TM 5 or ZB 5
(see Catalog 5)
UC-TMF 5, UCT-TMF 5 or ZBF 5
(see Catalog 5)

UC-TM 6, UCT-TM 6 or ZB 6
(see Catalog 5)
UC-TMF 6, UCT-TMF 6 or ZBF 6
(see Catalog 5)

PT push-in connection terminal blocks

PTU ... hybrid terminal block bases for distribution of potential with single-sided screw connection



The terminal block bases are ideal for use in building installation and mechanical engineering applications, thanks to the following features:

- Quick and easy potential distribution with 14 push-in terminal points
- Compact design
- 25 mm² screw connection
- Large labeling option

The branch terminals from the UDB ... series are suitable for the simple voltage pick-off of main supply cables up to 35 mm², see page 98.



Notes:

1) The total current of all connected conductors must not exceed the max. load current.

1 ... 12



16 (25) mm², 80 A, terminal block base, 15 connections

Dimensions	
	[mm]
Max. electrical data	
Rated data, external screw connection	
Rated voltage	[V]
Nominal current / cross section	[A] / [mm ²]
Rated cross section	[mm ²]
Cross section range	AWG
Connection capacity of screw connection	
1 conductor	[mm ²]
Two conductors (of the same type)	[mm ²]
Two stranded conductors with a TWIN ferrule	[mm ²]
Rated data, 2 internal push-in connections	
Rated voltage	[V]
Nominal current / cross section	[A] / [mm ²]
Cross section range	AWG
Connection capacity, 2 internal push-in connections	
1 conductor	[mm ²]
Two conductors with a TWIN ferrule	[mm ²]
Direct plug-in connection cross sections	[mm ²]
Rated data, 12 external Push-in connections	
Rated voltage	[V]
Nominal current / cross section	[A] / [mm ²]
Cross section range	AWG
Connection capacity, 12 external Push-in connections	
1 conductor	[mm ²]
Two conductors with a TWIN ferrule	[mm ²]
Direct plug-in connection cross sections	[mm ²]
General data	
Stripping length, screw connection	[mm]
Stripping length, push-in connection	[mm]
Screw thread	
Tightening torque	[Nm]
Insulating material	
Inflammability class according to UL 94	

Technical data				
Width	Length	Height NS 35/7,5		
17.5	89.5	36		
I _{max} [A]	U _{max} [V]	max. Ø [mm ²]	AWG	
80 ¹⁾	690	1.5 - 25	16 - 4	
IEC 60998-1				
IEC	UL/CUL	CSA	IEC/EN 60079-7	
690	-	-	-	
76 ¹⁾ / 16	-	-	-	
16	-	-	-	
16 - 4	-	-	-	
Connection capacity of screw connection		Ferrule		
solid	stranded	Without / with plastic sleeve		
1.5 - 25	2.5 - 16	1.5 - 16	1.5 - 16	
1.5 - 10	1.5 - 6	1.5 - 6	-	
			1.5 - 6	
IEC 60998-2-2				
IEC	UL/CUL	CSA	IEC/EN 60079-7	
690	-	-	-	
20 ¹⁾ / 2.5	-	-	-	
14 - 12	-	-	-	
Connection capacity, 2 internal push-in connections		Ferrule		
solid	stranded	Without / with plastic sleeve		
1.5 - 4	-	1 - 2.5	1 - 2.5	
			0.5 - 1.5	
1.5 - 4	-	1	1	
IEC 60998-2-2				
IEC	UL/CUL	CSA	IEC/EN 60079-7	
690	-	-	-	
16 ¹⁾ / 1.5	-	-	-	
12 - 14	-	-	-	
Connection capacity, 12 external Push-in connections		Ferrule		
solid	stranded	Without / with plastic sleeve		
1 - 2.5	-	0.75 - 1.5	0.75 - 1.5	
			0.25 - 0.75	
1 - 2.5	-	1.5	1.5	
General data				
Stripping length, screw connection	[mm]	12		
Stripping length, push-in connection	[mm]	12		
Screw thread		M5		
Tightening torque	[Nm]	2 - 3		
Insulating material		PA		
Inflammability class according to UL 94		V0		

Description	Color
Terminal block, for mounting on NS 35...	gray blue green

Three-compartment marker carrier, can be snapped into ST 2,5-3... and PT 2,5-3... three-level terminal blocks, can be labeled with UC-TMF 5 and ZBF 5 or ...TM 5 and ZB 5	gray
---	------

Ordering data		
Type	Order No.	Pcs. / Pkt.
PTU 16/14X2,5 GY	3214016	10

Accessories		
Type	Order No.	Pcs. / Pkt.
STP 5-3	0810562	100

1 ... 12



16 (25) mm², 80 A, terminal block base,
15 connections

1 ... 12



16 (25) mm², 80 A, terminal block base,
15 connections

Technical data			
Width	Length	Height NS 35/7,5	
17.5	89.5	36	
I_{max} [A]	U_{max} [V]	max. Ø [mm ²]	AWG
80 ¹⁾	690	1.5 - 25	16 - 4
IEC 60998-1			
IEC	UL/CUL	CSA	IEC/ EN 60079-7
690	-	-	-
76 ¹⁾ / 16	-	-	-
16	-	-	-
16 - 4	-	-	-
solid	stranded	Ferrule Without / with plastic sleeve	
1.5 - 25	2.5 - 16	1.5 - 16	1.5 - 16
1.5 - 10	1.5 - 6	1.5 - 6	-
			1.5 - 6
IEC 60998-2-2			
IEC	UL/CUL	CSA	IEC/ EN 60079-7
690	-	-	-
20 ¹⁾ / 2.5	-	-	-
14 - 12	-	-	-
solid	stranded	Ferrule Without / with plastic sleeve	
1.5 - 4	-	1 - 2.5	1 - 2.5
			0.5 - 1.5
1.5 - 4	-	1	1
IEC 60998-2-2			
IEC	UL/CUL	CSA	IEC/ EN 60079-7
690	-	-	-
16 ¹⁾ / 1.5	-	-	-
12 - 14	-	-	-
solid	stranded	Ferrule Without / with plastic sleeve	
1 - 2.5	-	0.75 - 1.5	0.75 - 1.5
			0.25 - 0.75
1 - 2.5	-	1.5	1.5
12			
12			
M5			
2 - 3			
PA			
V0			

Technical data			
Width	Length	Height NS 35/7,5	
17.5	89.5	36	
I_{max} [A]	U_{max} [V]	max. Ø [mm ²]	AWG
80 ¹⁾	690	1.5 - 25	16 - 4
IEC 60998-1			
IEC	UL/CUL	CSA	IEC/ EN 60079-7
690	-	-	-
76 ¹⁾ / 16	-	-	-
16	-	-	-
16 - 4	-	-	-
solid	stranded	Ferrule Without / with plastic sleeve	
1.5 - 25	2.5 - 16	1.5 - 16	1.5 - 16
1.5 - 10	1.5 - 6	1.5 - 6	-
			1.5 - 6
IEC 60998-2-2			
IEC	UL/CUL	CSA	IEC/ EN 60079-7
690	-	-	-
20 ¹⁾ / 2.5	-	-	-
14 - 12	-	-	-
solid	stranded	Ferrule Without / with plastic sleeve	
1.5 - 4	-	1 - 2.5	1 - 2.5
			0.5 - 1.5
1.5 - 4	-	1	1
IEC 60998-2-2			
IEC	UL/CUL	CSA	IEC/ EN 60079-7
690	-	-	-
16 ¹⁾ / 1.5	-	-	-
12 - 14	-	-	-
solid	stranded	Ferrule Without / with plastic sleeve	
1 - 2.5	-	0.75 - 1.5	0.75 - 1.5
			0.25 - 0.75
1 - 2.5	-	1.5	1.5
12			
12			
M5			
2 - 3			
PA			
V0			

Ordering data		
Type	Order No.	Pcs. / Pkt.
PTU 16/14X2,5 BU	3214014	10

Ordering data		
Type	Order No.	Pcs. / Pkt.
PTU 16/14X2,5 GN	3214015	10

Accessories		
STP 5-3	0810562	100

Accessories		
STP 5-3	0810562	100

Modular terminal blocks - CLIPLINE complete

PT push-in connection terminal blocks

PTS ..., PTS ...-TWIN feed-through and multi-conductor desk-design terminal blocks



- The angled push-in terminal blocks in desk design were developed for wiring systems where space is saved by means of underfloor wiring. They are characterized by:
- Compact design also with 3.5 mm pitch
 - Uniform, touch-proof plug-in zone
 - For nominal currents up to 30 A
 - For nominal voltages up to 800 V
 - Angled conductor entry for use in flat terminal boxes
 - Two and three-conductor terminal blocks of the same shape
 - Four function shafts enable all potential distribution tasks to be carried out in a convenient manner

Terminal strip service

We produce fully pre-assembled terminal strips for fitting straight into the control cabinet or switch system. This simplifies installation, saves time, and cuts costs.

Notes:

1) The total current of all connected conductors must not exceed the max. load current.



1.5 (1.5) mm², 17.5 A, feed-through terminal block, 2 connections



Dimensions	
	[mm]
Max. electrical data	
Rated data	
Rated voltage	[V]
Nominal current / cross section	[A] / [mm ²]
Rated cross section	[mm ²]
Cross section range	AWG
Connection capacity	
1 conductor	[mm ²]
Two stranded conductors with a TWIN ferrule	[mm ²]
Direct plug-in connection cross sections	[mm ²]
General data	
Stripping length	[mm]
Insulating material	
Inflammability class according to UL 94	

Technical data				
Width	Length	Height NS 35/7,5		
3.5	50.7	38.5		
I _{max} [A]	U _{max} [V]	max. Ø [mm ²]	AWG	
17.5	500	0.14 - 1.5	26 - 14	
IEC 60947-7-1				
IEC	UL/CUL	CSA	IEC/EN 60079-7	
Rated voltage	600	-	-	
Nominal current / cross section	17.5 / 1.5	15 / -	-	
Rated cross section	1.5	-	-	
Cross section range	26 - 14	26-14	-	
Connection capacity		solid	stranded	Ferrule
		Without / with plastic sleeve		
1 conductor	0.14 - 1.5	0.14 - 1.5	0.14 - 1.5	0.14 - 1
Two stranded conductors with a TWIN ferrule				
Direct plug-in connection cross sections	0.25 - 1.5	-	0.34 - 1.5	0.34 - 1
General data				
Stripping length	8			
Insulating material	PA			
Inflammability class according to UL 94	V0			

Description	No. of pos.	Color
Terminal block, for mounting on NS 35...		gray blue

Ordering data			
Type	I _{max}	Order No.	Pcs. / Pkt.
PTS 1,5/S		3214547	50
PTS 1,5/S BU		3214550	50

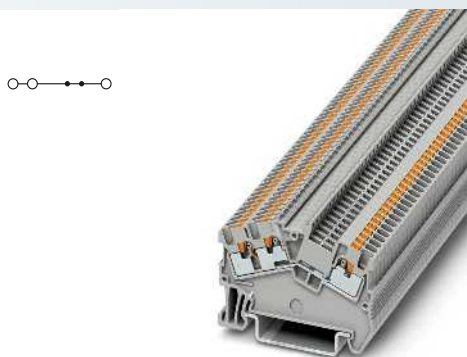
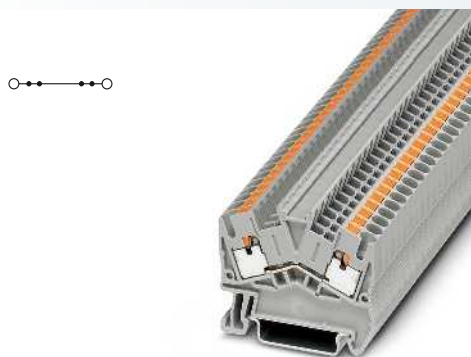
Cover, width 2.2 mm		gray
Insulation stop sleeve, cross section range:		
0.08 - 0.2 mm ²		white
0.25 - 0.5 mm ²		gray
0.75 - 1 mm ²		black
Plug-in bridge		
	2	red
	3	red
	4	red
	5	red
	10	red
	20	red
Partition plate, 2 mm width		gray
Test adapter, 4-mm test socket hole		gray
Test plug metal part, 2.3 mm Ø		
Insulating sleeve, for MPS metal part		red
Modular test plug, for the individual assembly of test plug strips		red
Screwdriver		

Accessories			
D-PTS 1,5/S		3214576	50
FBS 2-3,5	17.5 A	3213014	50
FBS 3-3,5	17.5 A	3213027	50
FBS 4-3,5	17.5 A	3213030	50
FBS 5-3,5	17.5 A	3213043	50
FBS 10-3,5	17.5 A	3213056	50
FBS 20-3,5	17.5 A	3213069	50
ATP-ST 4		3030721	50
MPS-MT		0201744	10
MPS-IH RD		0201676	10
SZF 0-0,4X2,5		1204504	10

Center groove labeling
Center groove labeling

UCT-TM 3,5 or ZB 3,5 (see Catalog 5)
UCT-TMF 3,5 or ZBF 3,5 (see Catalog 5)

PT push-in connection terminal blocks



2.5 (4) mm², 30 A, feed-through terminal block, 2 connections

1.5 (1.5) mm², 17.5 A, feed-through terminal block, 3 connections

2.5 (4) mm², 28 A, feed-through terminal block, 3 connections



Technical data			
Width	Length	Height NS 35/7,5	
5.2	49	43	
I_{max} [A]	U_{max} [V]	max. Ø [mm ²]	AWG
30	800	0.14 - 4	26 - 12
IEC 60947-7-1			
IEC	UL/CUL	CSA	IEC/EN 60079-7
800	600	600	-
24 / 2.5	20 / -	20 / -	-
2.5	-	-	-
26 - 12	26-12	26-12	-
solid	stranded	Ferrule Without / with plastic sleeve	
0.14 - 4	0.14 - 2.5	0.14 - 2.5	0.14 - 2.5 0.5
0.34 - 4	-	0.34 - 2.5	0.34 - 2.5
10	PA	V0	

Technical data			
Width	Length	Height NS 35/7,5	
3.5	50.7	38.5	
I_{max} [A]	U_{max} [V]	max. Ø [mm ²]	AWG
17.5 ¹⁾	500	0.14 - 1.5	26 - 14
IEC 60947-7-1			
IEC	UL/CUL	CSA	IEC/EN 60079-7
500	600	-	-
17.5 ¹⁾ / 1.5	15 / -	-	-
1.5	-	-	-
26 - 14	26-14	-	-
solid	stranded	Ferrule Without / with plastic sleeve	
0.14 - 1.5	0.14 - 1.5	0.14 - 1.5	0.14 - 1
0.25 - 1.5	-	0.34 - 1.5	0.34 - 1
8	PA	V0	

Technical data			
Width	Length	Height NS 35/7,5	
5.2	49	43	
I_{max} [A]	U_{max} [V]	max. Ø [mm ²]	AWG
28 ¹⁾	800	0.14 - 4	26 - 12
IEC 60947-7-1			
IEC	UL/CUL	CSA	IEC/EN 60079-7
800	600	600	-
24 ¹⁾ / 2.5	20 / -	20 / -	-
2.5	-	-	-
26 - 12	26-12	26-12	-
solid	stranded	Ferrule Without / with plastic sleeve	
0.14 - 4	0.14 - 2.5	0.14 - 2.5	0.14 - 2.5 0.5
0.34 - 4	-	0.34 - 2.5	0.34 - 2.5
10	PA	V0	

Ordering data			
Type	I_{max}	Order No.	Pcs. / Pkt.
PTS 2,5		3211799	50
PTS 2,5 BU		3211812	50

Ordering data			
Type	I_{max}	Order No.	Pcs. / Pkt.
PTS 1,5/S-TWIN		3214589	50
PTS 1,5/S-TWIN BU		3214592	50

Ordering data			
Type	I_{max}	Order No.	Pcs. / Pkt.
PTS 2,5-TWIN		3211896	50
PTS 2,5-TWIN BU		3211906	50

Accessories			
D-ST5 2,5		3031762	50
ISH 2,5/0,2		3002843	50
ISH 2,5/0,5		3002856	50
ISH 2,5/1,0		3002869	50
FBS 2-5	24 A	3030161	50
FBS 3-5	24 A	3030174	50
FBS 4-5	24 A	3030187	50
FBS 5-5	24 A	3030190	50
FBS 10-5	24 A	3030213	10
FBS 20-5	24 A	3030226	10
ATP-QTC		3206209	50
PAI-4-N GY		3032871	10
MPS-MT		0201744	10
MPS-IH RD		0201676	10
PS-5		3030983	10
SZF 1-0,6X3,5		1204517	10

Accessories			
D-PTS 1,5/S		3214576	50
FBS 2-3,5	17.5 A	3213014	50
FBS 3-3,5	17.5 A	3213027	50
FBS 4-3,5	17.5 A	3213030	50
FBS 5-3,5	17.5 A	3213043	50
FBS 10-3,5	17.5 A	3213056	50
FBS 20-3,5	17.5 A	3213069	50
ATP-ST 4		3030721	50
MPS-MT		0201744	10
MPS-IH RD		0201676	10
SZF 0-0,4X2,5		1204504	10

Accessories			
D-ST5 2,5		3031762	50
ISH 2,5/0,2		3002843	50
ISH 2,5/0,5		3002856	50
ISH 2,5/1,0		3002869	50
FBS 2-5	24 A	3030161	50
FBS 3-5	24 A	3030174	50
FBS 4-5	24 A	3030187	50
FBS 5-5	24 A	3030190	50
FBS 10-5	24 A	3030213	10
FBS 20-5	24 A	3030226	10
ATP-QTC		3206209	50
PAI-4-N GY		3032871	10
MPS-MT		0201744	10
MPS-IH RD		0201676	10
PS-5		3030983	10
SZF 1-0,6X3,5		1204517	10

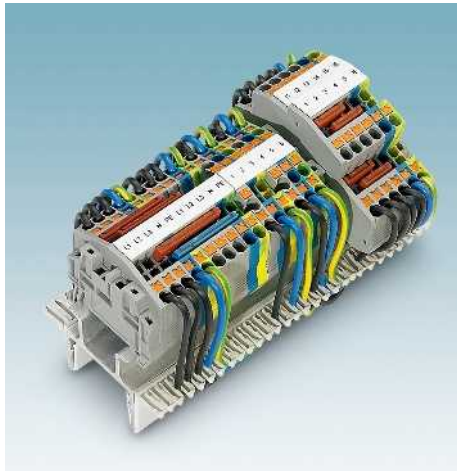
UC-TM 5, UCT-TM 5 or ZB 5
(see Catalog 5)
UC-TMF 5, UCT-TMF 5 or ZBF 5
(see Catalog 5)

UCT-TM 3,5 or ZB 3,5
(see Catalog 5)
UCT-TMF 3,5 or ZBF 3,5
(see Catalog 5)

UC-TM 5, UCT-TM 5 or ZB 5
(see Catalog 5)
UC-TMF 5, UCT-TMF 5 or ZBF 5
(see Catalog 5)

PT push-in connection terminal blocks

PTS ..., PTTBS ... multi-conductor and double-level desk-design terminal blocks



The angled push-in terminal blocks in desk design were developed for wiring systems where space is saved by means of underfloor wiring. They are characterized by:

PTS ...

- Angled conductor entry for use in flat terminal boxes
- Large space saving when used in concealed wiring systems
- 2, 3, and 4-wire terminal blocks of the same shape
- Ground terminal blocks of the same shape are available

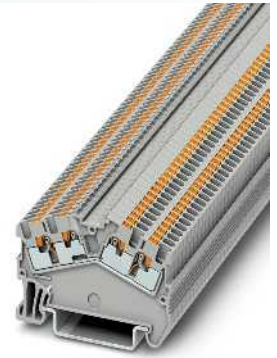
PTTBS ...

- Amount of space required is reduced by 50% compared to single-level terminal blocks
- Two bridge shafts on both levels for all potential distribution tasks
- Two large-surface labeling options
- Potential bridging of levels using the **FBS...-PV** vertical potential bridge, see figure below



Notes:

¹⁾ The total current of all connected conductors must not exceed the max. load current.



1.5 (1.5) mm², 17.5 A, feed-through terminal block, 4 connections



Dimensions		[mm]	
Max. electrical data			
Rated data			
Rated voltage	[V]	500	600
Nominal current / cross section	[A] / [mm ²]	17.5 ¹⁾ / 1.5	15 / -
Rated cross section	[mm ²]	1.5	-
Cross section range	AWG	26 - 14	26-14
Connection capacity			
1 conductor	[mm ²]	0.14 - 1.5	0.14 - 1.5
Two stranded conductors with a TWIN ferrule	[mm ²]	0.25 - 1.5	-
Direct plug-in connection cross sections	[mm ²]	0.25 - 1.5	-
General data			
Stripping length	[mm]	8	8
Insulating material		PA	PA
Inflammability class according to UL 94		V0	V0

Technical data				
Width	Length	Height NS 35/7,5		
3.5	50.7	38.5		
I _{max} [A]	U _{max} [V]	max. Ø [mm ²]	AWG	
17.5 ¹⁾	500	0.14 - 1.5	26 - 14	
IEC 60947-7-1				
IEC	UL/CUL	CSA	IEC/EN 60079-7	
Rated voltage		Ferrule		
Nominal current / cross section		Without / with plastic sleeve		
Rated cross section		0.14 - 1.5 0.14 - 1.5 0.14 - 1.5 0.14 - 1		
Cross section range		0.25 - 1.5 - 0.34 - 1.5 0.34 - 1		
Connection capacity		8		
Stripping length		PA		
Insulating material		V0		

Description	No. of pos.	Color
Terminal block, for mounting on NS 35...		gray blue
Terminal block, with equipotential bond, for mounting on NS 35... ¹⁾		gray

Ordering data			
Type	I _{max}	Order No.	Pcs. / Pkt.
PTS 1,5/S-QUATTRO		3214615	50
PTS 1,5/S-QUATTRO BU		3214631	50

Cover, width 2.2 mm	gray
Insulation stop sleeve, cross section range:	
0.08 - 0.2 mm ²	white
0.25 - 0.5 mm ²	gray
0.75 - 1 mm ²	black
Plug-in bridge	
	2 red
	3 red
	4 red
	5 red
	10 red
	20 red

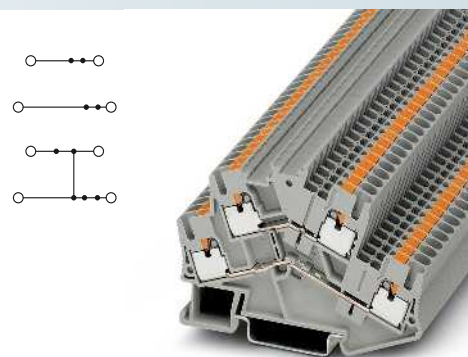
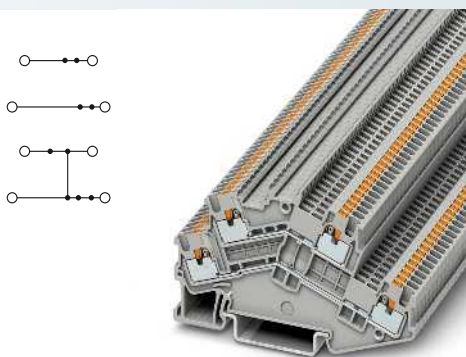
Accessories		
D-PTS 1,5/S	3214576	50

Vertical potential bridge, to connect the upper and lower level	black
Partition plate, 2 mm width	gray
Test adapter, 4-mm test socket hole	gray
Test plug metal part, 2.3 mm Ø	
Insulating sleeve, for MPS metal part	red
Modular test plug, for the individual assembly of test plug strips	red

ATP-ST 4	3030721	50
MPS-MT	0201744	10
MPS-IH RD	0201676	10
SZF 0-0,4X2,5	1204504	10

Screwdriver	UCT-TM 3,5 or ZB 3,5 (see Catalog 5)
Center groove labeling	UCT-TMF 3,5 or ZBF 3,5 (see Catalog 5)

PT push-in connection terminal blocks



2.5 (4) mm², 28 A, feed-through terminal block, 4 connections

1.5 (1.5) mm², 16 A, double-level terminal block

2.5 (4) mm², 24 A, double-level terminal block



Technical data			
Width	Length	Height NS 35/7,5	
5.2	49	43	
I_{max} [A]	U_{max} [V]	max. Ø [mm ²]	AWG
28 ¹⁾	800	0.14 - 4	26 - 12
IEC 60947-7-1			
IEC	UL/CUL	CSA	IEC/EN 60079-7
800	600	600	-
24 ¹⁾ / 2.5	20 / -	20 / -	-
2.5	-	-	-
26 - 12	26-12	26-12	-
solid	stranded	Ferrule	
Without / with plastic sleeve			
0.14 - 4	0.14 - 2.5	0.14 - 2.5	0.14 - 2.5
			0.5
0.34 - 4	-	0.34 - 2.5	0.34 - 2.5
10	PA	V0	

Technical data			
Width	Length	Height NS 35/7,5	
3.5	78.8	48.2	
I_{max} [A]	U_{max} [V]	max. Ø [mm ²]	AWG
16	500	0.14 - 1.5	26 - 14
IEC 60947-7-1			
IEC	UL/CUL	CSA	IEC/EN 60079-7
500	600	-	-
16 / 1.5	15 / -	-	-
1.5	-	-	-
26 - 14	26-14	-	-
solid	stranded	Ferrule	
Without / with plastic sleeve			
0.14 - 1.5	0.14 - 1.5	0.14 - 1.5	0.14 - 1
0.25 - 1.5	-	0.34 - 1.5	0.34 - 1
8	PA	V0	

Technical data			
Width	Length	Height NS 35/7,5	
5.2	78	55	
I_{max} [A]	U_{max} [V]	max. Ø [mm ²]	AWG
24	500	0.14 - 4	26 - 12
IEC 60947-7-1			
IEC	UL/CUL	CSA	IEC/EN 60079-7
500	600	600	-
22 / 2.5	20 / -	20 / -	-
2.5	-	-	-
26 - 12	26-12	26-12	-
solid	stranded	Ferrule	
Without / with plastic sleeve			
0.14 - 4	0.14 - 2.5	0.14 - 2.5	0.14 - 2.5
			0.5
0.34 - 4	-	0.34 - 2.5	0.34 - 2.5
10	PA	V0	

Ordering data		
Type	Order No.	Pcs. / Pkt.
PTS 2,5-QUATTRO	3211993	50
PTS 2,5-QUATTRO BU	3212002	50

Ordering data			
Type	I_{max}	Order No.	Pcs. / Pkt.
PTTBS 1,5/S		3214657	50
PTTBS 1,5/S BU		3214660	50
PTTBS 1,5/S-PV		3214686	50

Ordering data			
Type	I_{max}	Order No.	Pcs. / Pkt.
PTTBS 2,5		3209604	50
PTTBS 2,5 BU		3209617	50
PTTBS 2,5-PV		3210211	50

Accessories		
D-ST5 2,5	3031762	50
ISH 2,5/0,2	3002843	50
ISH 2,5/0,5	3002856	50
ISH 2,5/1,0	3002869	50
ATP-QTC	3206209	50
SZF 1-0,6X3,5	1204517	10

Accessories			
D-PTTBS 1,5/S		3214699	50
FBS 2-3,5	17.5 A	3213014	50
FBS 3-3,5	17.5 A	3213027	50
FBS 4-3,5	17.5 A	3213030	50
FBS 5-3,5	17.5 A	3213043	50
FBS 10-3,5	17.5 A	3213056	50
FBS 20-3,5	17.5 A	3213069	50
FBS 1,5/S-PV		3216263	10
ATP-STTB 4		3030747	50
MPS-MT		0201744	10
MPS-IH RD		0201676	10
PS-5		3030983	10
SZF 0-0,4X2,5		1204504	10

Accessories			
D-STTBS 2,5		3038503	50
ISH 2,5/0,2		3002843	50
ISH 2,5/0,5		3002856	50
ISH 2,5/1,0		3002869	50
FBS 2-5	20 A	3030161	50
FBS 3-5	20 A	3030174	50
FBS 4-5	20 A	3030187	50
FBS 5-5	20 A	3030190	50
FBS 10-5	20 A	3030213	10
FBS 20-5	20 A	3030226	10
FBS-PV		3032185	50
ATP-STTB 4		3030747	50
PAI-4-N GY		3032871	10
MPS-MT		0201744	10
MPS-IH RD		0201676	10
PS-5		3030983	10
SZF 1-0,6X3,5		1204517	10

UC-TM 5, UCT-TM 5 or ZB 5 (see Catalog 5)
UC-TMF 5, UCT-TMF 5 or ZBF 5 (see Catalog 5)

UCT-TM 3,5 or ZB 3,5 (see Catalog 5)
UCT-TMF 3,5 or ZBF 3,5 (see Catalog 5)

UC-TM 5, UCT-TM 5 or ZB 5 (see Catalog 5)
UC-TMF 5, UCT-TMF 5 or ZBF 5 (see Catalog 5)

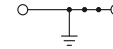
Modular terminal blocks - CLIPLINE complete

PT push-in connection terminal blocks

PTS 2,5 ...-PE, PTS 2,5-TWIN-PE desk-design ground terminal blocks

- Same shape and pitch as the feed-through terminal blocks
- Contact is made free from mechanical and electrical errors by simply snapping onto the DIN rail
- All the requirements of standard IEC 60947-7-2 are met

Notes:
For current carrying capacity of DIN rails, see page 716.



1.5 (1.5) mm², ground terminal block, 2 connections



Dimensions		
		[mm]
Max. electrical data		
Rated data		
Rated voltage		[V]
Nominal current / cross section		[A] / [mm ²]
Rated cross section		[mm ²]
Cross section range		AWG
Connection capacity		
1 conductor		[mm ²]
Two stranded conductors with a TWIN ferrule		[mm ²]
Direct plug-in connection cross sections		[mm ²]
General data		
Stripping length		[mm]
Insulating material		
Inflammability class according to UL 94		

Technical data				
Width	Length	Height NS 35/7,5		
3.5	50.7	38.5		
		max. Ø [mm ²]	AWG	
		0.14 - 1.5	26 - 14	
IEC 60947-7-2				
IEC	UL/CUL	CSA	IEC/EN 60079-7	
-	-	-	-	
-	-/-	-	-	
1.5	-	-	-	
26 - 14	26-14	-	-	
solid		stranded		Ferrule
				Without / with plastic sleeve
0.14 - 1.5	0.14 - 1.5	0.14 - 1.5	0.14 - 1	
0.25 - 1.5	-	0.34 - 1.5	0.34 - 1	
8				
PA				
V0				

Description	No. of pos.	Color
Ground terminal block , for mounting on NS 35...		green-yellow

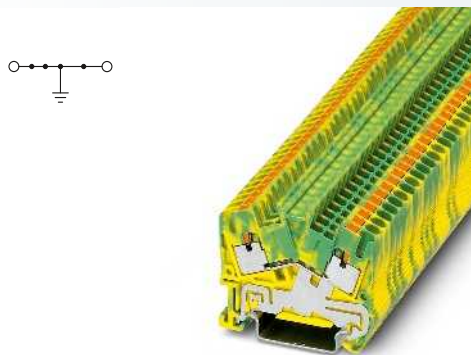
Ordering data		
Type	Order No.	Pcs. / Pkt.
PTS 1,5/S-PE	3214563	50

Cover , width 2.2 mm		gray
Insulation stop sleeve , cross section range:		
0.08 - 0.2 mm ²		white
0.25 - 0.5 mm ²		gray
0.75 - 1 mm ²		black
Plug-in bridge		
	2	red
	3	red
	4	red
	5	red
	10	red
	20	red
Partition plate , 2 mm width		gray
Test adapter , 4-mm test socket hole		gray
Test plug metal part , 2.3 mm Ø		
Insulating sleeve , for MPS metal part		red
Modular test plug , for the individual assembly of test plug strips		red
Screwdriver		

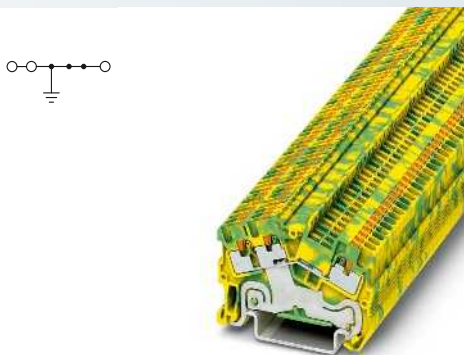
Accessories		
D-PTS 1,5/S	3214576	50
FBS 2-3,5	3213014	50
FBS 3-3,5	3213027	50
FBS 4-3,5	3213030	50
FBS 5-3,5	3213043	50
FBS 10-3,5	3213056	50
FBS 20-3,5	3213069	50
ATP-ST 4	3030721	50
MPS-MT	0201744	10
MPS-IH RD	0201676	10
SZF 0-0,4X2,5	1204504	10

Center groove labeling
Center groove labeling

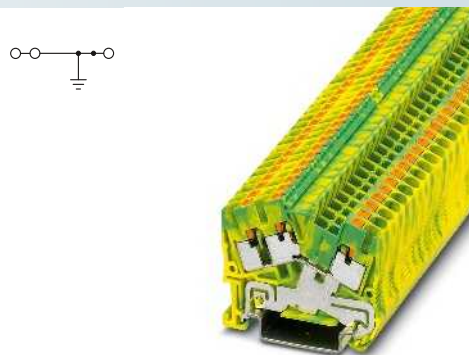
UCT-TM 3,5 or ZB 3,5 (see Catalog 5)
UCT-TMF 3,5 or ZBF 3,5 (see Catalog 5)



2.5 (4) mm², ground terminal block,
2 connections



1.5 (1.5) mm², ground terminal block,
3 connections



2.5 (4) mm², ground terminal block,
3 connections



Technical data			
Width	Length	Height NS 35/7,5	
5.2	49	43	
		max. Ø [mm ²]	AWG
		0.14 - 4	26 - 12
IEC 60947-7-2			
IEC	UL/CUL	CSA	IEC/EN 60079-7
-	-	-	-
-	-/-	-	-
2.5	-	-	-
26 - 12	26-12	26-12	-
solid	stranded	Ferrule	
		Without / with plastic sleeve	
0.14 - 4	0.14 - 2.5	0.14 - 2.5	0.14 - 2.5 0.5
0.34 - 4	-	0.34 - 2.5	0.34 - 2.5
10	PA	V0	

Technical data			
Width	Length	Height NS 35/7,5	
3.5	50.7	38.5	
		max. Ø [mm ²]	AWG
		0.14 - 1.5	26 - 14
IEC 60947-7-2			
IEC	UL/CUL	CSA	IEC/EN 60079-7
-	-	-	-
-	-/-	-	-
1.5	-	-	-
26 - 14	26-14	-	-
solid	stranded	Ferrule	
		Without / with plastic sleeve	
0.14 - 1.5	0.14 - 1.5	0.14 - 1.5	0.14 - 1
0.25 - 1.5	-	0.34 - 1.5	0.34 - 1
8	PA	V0	

Technical data			
Width	Length	Height NS 35/7,5	
5.2	49	43	
		max. Ø [mm ²]	AWG
		0.14 - 4	26 - 12
IEC 60947-7-2			
IEC	UL/CUL	CSA	IEC/EN 60079-7
-	-	-	-
-	-/-	-	-
2.5	-	-	-
26 - 12	26-12	26-12	-
solid	stranded	Ferrule	
		Without / with plastic sleeve	
0.14 - 4	0.14 - 2.5	0.14 - 2.5	0.14 - 2.5 0.5
0.34 - 4	-	0.34 - 2.5	0.34 - 2.5
10	PA	V0	

Ordering data		
Type	Order No.	Pcs. / Pkt.
PTS 2,5-PE	3211867	50

Ordering data		
Type	Order No.	Pcs. / Pkt.
PTS 1,5/S-TWIN-PE	3214602	50

Ordering data		
Type	Order No.	Pcs. / Pkt.
PTS 2,5-TWIN-PE	3211935	50

Accessories		
D-ST5 2,5	3031762	50
ISH 2,5/0,2	3002843	50
ISH 2,5/0,5	3002856	50
ISH 2,5/1,0	3002869	50
FBS 2-5	3030161	50
FBS 3-5	3030174	50
FBS 4-5	3030187	50
FBS 5-5	3030190	50
FBS 10-5	3030213	10
FBS 20-5	3030226	10
ATP-QTC	3206209	50
PAI-4-N GY	3032871	10
MPS-MT	0201744	10
MPS-IH RD	0201676	10
PS-5	3030983	10
SZF 1-0,6X3,5	1204517	10

Accessories		
D-PTS 1,5/S	3214576	50
FBS 2-3,5	3213014	50
FBS 3-3,5	3213027	50
FBS 4-3,5	3213030	50
FBS 5-3,5	3213043	50
FBS 10-3,5	3213056	50
FBS 20-3,5	3213069	50
ATP-ST 4	3030721	50
MPS-MT	0201744	10
MPS-IH RD	0201676	10
SZF 0-0,4X2,5	1204504	10

Accessories		
D-ST5 2,5	3031762	50
ISH 2,5/0,2	3002843	50
ISH 2,5/0,5	3002856	50
ISH 2,5/1,0	3002869	50
FBS 2-5	3030161	50
FBS 3-5	3030174	50
FBS 4-5	3030187	50
FBS 5-5	3030190	50
FBS 10-5	3030213	10
FBS 20-5	3030226	10
ATP-QTC	3206209	50
PAI-4-N GY	3032871	10
MPS-MT	0201744	10
MPS-IH RD	0201676	10
PS-5	3030983	10
SZF 1-0,6X3,5	1204517	10

UC-TM 5, UCT-TM 5 or ZB 5
(see Catalog 5)
UC-TMF 5, UCT-TMF 5 or ZBF 5
(see Catalog 5)

UCT-TM 3,5 or ZB 3,5
(see Catalog 5)
UCT-TMF 3,5 or ZBF 3,5
(see Catalog 5)

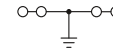
UC-TM 5, UCT-TM 5 or ZB 5
(see Catalog 5)
UC-TMF 5, UCT-TMF 5 or ZBF 5
(see Catalog 5)

PT push-in connection terminal blocks

PTS ...-QUATTRO-PE, PTTBS ...-PE multi-conductor and double-level desk-design ground terminal blocks

- Same shape and pitch as the feed-through terminal blocks
- Contact is made free from mechanical and electrical errors by simply snapping onto the DIN rail
- All the requirements of standard IEC 60947-7-2 are met

Notes:
For current carrying capacity of DIN rails, see page 716.



1.5 (1.5) mm², ground terminal block, 4 connections



Dimensions		
		[mm]
Max. electrical data		
Rated data		
Rated voltage		[V]
Nominal current / cross section		[A] / [mm ²]
Rated cross section		[mm ²]
Cross section range		AWG
Connection capacity		
1 conductor		[mm ²]
Two stranded conductors with a TWIN ferrule		[mm ²]
Direct plug-in connection cross sections		[mm ²]
General data		
Stripping length		[mm]
Insulating material		
Inflammability class according to UL 94		

Technical data				
Width	Length	Height NS 35/7,5		
3.5	50.7	38.5		
		max. Ø [mm ²]	AWG	
		0.14 - 1.5	26 - 14	
IEC 60947-7-2				
IEC	UL/CUL	CSA	IEC/EN 60079-7	
-	-	-	-	
-	-/-	-	-	
1.5	-	-	-	
26 - 14	26-14	-	-	
solid		stranded		Ferrule
				Without / with plastic sleeve
0.14 - 1.5	0.14 - 1.5	0.14 - 1.5	0.14 - 1	
0.25 - 1.5	-	0.34 - 1.5	0.34 - 1	
8				
PA				
V0				

Description	No. of pos.	Color
Ground terminal block, for mounting on NS 35...		green-yellow

Ordering data		
Type	Order No.	Pcs. / Pkt.
PTS 1,5/S-QUATTRO-PE	3214644	50

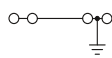
Cover, width 2.2 mm		gray
Insulation stop sleeve, cross section range:		
0.08 - 0.2 mm ²		white
0.25 - 0.5 mm ²		gray
0.75 - 1 mm ²		black
Plug-in bridge		
	2	red
	3	red
	4	red
	5	red
	10	red
	20	red
Partition plate, 2 mm width		gray
Test adapter, 4-mm test socket hole		gray
Test plug metal part, 2.3 mm Ø		
Insulating sleeve, for MPS metal part		red
Modular test plug, for the individual assembly of test plug strips		red
Screwdriver		

Accessories		
D-PTS 1,5/S	3214576	50
ATP-ST 4	3030721	50
MPS-MT	0201744	10
MPS-IH RD	0201676	10
SZF 0-0,4X2,5	1204504	10

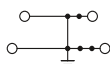
Center groove labeling
Center groove labeling

UCT-TM 3,5 or ZB 3,5 (see Catalog 5)
UCT-TMF 3,5 or ZBF 3,5 (see Catalog 5)

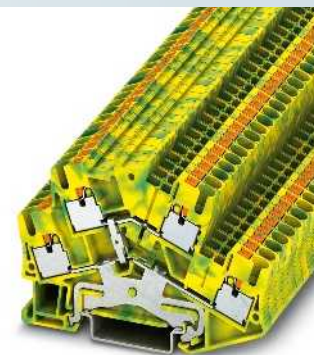
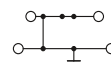
PT push-in connection terminal blocks



2.5 (4) mm², ground terminal block,
4 connections



1.5 (1.5) mm², double-level ground terminal
block



2.5 (4) mm², double-level ground terminal
block



Technical data			
Width	Length	Height NS 35/7,5	
5.2	49	43	
		max. Ø [mm ²]	AWG
		0.14 - 4	26 - 12
IEC 60947-7-2			
IEC	UL/CUL	CSA	IEC/ EN 60079-7
-	-	-	-
-	-/-	-	-
2.5	-	-	-
26 - 12	26-12	26-12	-
solid	stranded	Ferrule Without / with plastic sleeve	
0.14 - 4	0.14 - 2.5	0.14 - 2.5	0.14 - 2.5 0.5
0.34 - 4	-	0.34 - 2.5	0.34 - 2.5
10	PA	V0	

Technical data			
Width	Length	Height NS 35/7,5	
3.5	78.8	48.2	
		max. Ø [mm ²]	AWG
		0.14 - 1.5	26 - 14
IEC 60947-7-2			
IEC	UL/CUL	CSA	IEC/ EN 60079-7
-	-	-	-
-	-/-	-	-
1.5	-	-	-
26 - 14	26-14	-	-
solid	stranded	Ferrule Without / with plastic sleeve	
0.14 - 1.5	0.14 - 1.5	0.14 - 1.5	0.14 - 1
0.25 - 1.5	-	0.34 - 1.5	0.34 - 1
8	PA	V0	

Technical data			
Width	Length	Height NS 35/7,5	
5.2	78	55	
		max. Ø [mm ²]	AWG
		0.14 - 4	26 - 12
IEC 60947-7-2			
IEC	UL/CUL	CSA	IEC/ EN 60079-7
-	-	-	-
-	-/-	-	-
2.5	-	-	-
26 - 12	26-12	26-12	-
solid	stranded	Ferrule Without / with plastic sleeve	
0.14 - 4	0.14 - 2.5	0.14 - 2.5	0.14 - 2.5 0.5
0.34 - 4	-	0.34 - 2.5	0.34 - 2.5
10	PA	V0	

Ordering data		
Type	Order No.	Pcs. / Pkt.
PTS 2,5-QUATTRO-PE	3212011	50

Ordering data		
Type	Order No.	Pcs. / Pkt.
PTTBS 1,5/S-PE	3214673	50

Ordering data		
Type	Order No.	Pcs. / Pkt.
PTTBS 2,5-PE	3209620	50

Accessories		
D-ST5 2,5	3031762	50
ISH 2,5/0,2	3002843	50
ISH 2,5/0,5	3002856	50
ISH 2,5/1,0	3002869	50
ATP-QTC	3206209	50
SZF 1-0,6X3,5	1204517	10

Accessories		
D-PTTBS 1,5/S	3214699	50
FBS 2-3,5	3213014	50
FBS 3-3,5	3213027	50
FBS 4-3,5	3213030	50
FBS 5-3,5	3213043	50
FBS 10-3,5	3213056	50
FBS 20-3,5	3213069	50
ATP-STTB 4	3030747	50
MPS-MT	0201744	10
MPS-IH RD	0201676	10
PS-5	3030983	10
SZF 0-0,4X2,5	1204504	10

Accessories		
D-STTBS 2,5	3038503	50
ISH 2,5/0,2	3002843	50
ISH 2,5/0,5	3002856	50
ISH 2,5/1,0	3002869	50
FBS 2-5	3030161	50
FBS 3-5	3030174	50
FBS 4-5	3030187	50
FBS 5-5	3030190	50
FBS 10-5	3030213	10
FBS 20-5	3030226	10
ATP-STTB 4	3030747	50
PAI-4-N GY	3032871	10
MPS-MT	0201744	10
MPS-IH RD	0201676	10
PS-5	3030983	10
SZF 1-0,6X3,5	1204517	10

UC-TM 5, UCT-TM 5 or ZB 5
(see Catalog 5)
UC-TMF 5, UCT-TMF 5 or ZBF 5
(see Catalog 5)

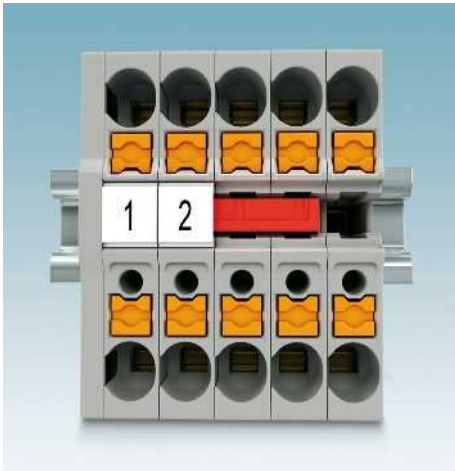
UCT-TM 3,5 or ZB 3,5
(see Catalog 5)
UCT-TMF 3,5 or ZBF 3,5
(see Catalog 5)

UC-TM 5, UCT-TM 5 or ZB 5
(see Catalog 5)
UC-TMF 5, UCT-TMF 5 or ZBF 5
(see Catalog 5)

Modular terminal blocks - CLIPLINE complete

PT push-in connection terminal blocks

MPT ... mini feed-through and ground terminal blocks, for mounting on NS 15



- Save space and can be used in smaller control boxes
- Ideal for connecting smaller motors and wiring in the lower power spectrum
- Simple bridging and potential distribution using the patented plug-in bridges of the CLIPLINE complete system
- Ground terminal block of the same shape makes contact when simply snapped on and meets the high requirements of IEC 60947-7-2

CLIP PROJECT Planning enables the quick and convenient planning and configuration of fault-free terminal strips.

Notes:
For current carrying capacity of DIN rails, see page 716.
A plug-in version is described in the "COMBI plug-in connection solutions" section; see page 348.



1.5 (1.5) mm², 17.5 A, mini feed-through terminal block

Dimensions	
	[mm]
Max. electrical data	
Rated data	
Rated voltage	[V]
Nominal current / cross section	[A] / [mm ²]
Rated cross section	[mm ²]
Cross section range	AWG
Connection capacity	
1 conductor	[mm ²]
Two stranded conductors with a TWIN ferrule	[mm ²]
Direct plug-in connection cross sections	[mm ²]
General data	
Stripping length	[mm]
Insulating material	
Inflammability class according to UL 94	

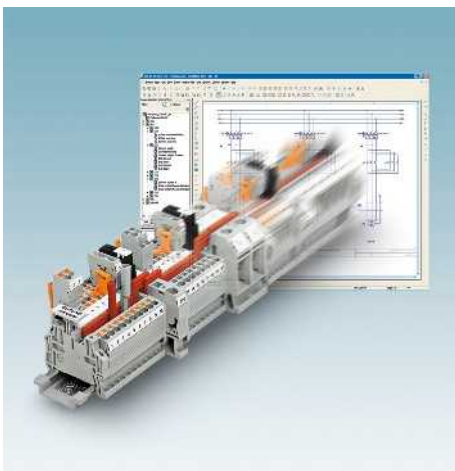
Technical data				
Width	Length	Height NS 15		
3.5	33.55	28.1		
I _{max} [A]	U _{max} [V]	max. Ø [mm ²]	AWG	
17.5	500	0.14 - 1.5	26 - 14	
IEC 60947-7-1				
IEC	UL/CUL	CSA	IEC/EN 60079-7	
500	-	-	-	
17.5 / 1.5	- / -	-	-	
1.5	-	-	-	
26 - 14	-	-	-	
Connection capacity		Ferrule		
solid	stranded	Without / with plastic sleeve		
0.14 - 1.5	0.14 - 1.5	0.14 - 1.5	0.14 - 1	
0.25 - 1.5	-	0.34 - 1.5	0.34 - 1	
8				
PA				
V0				

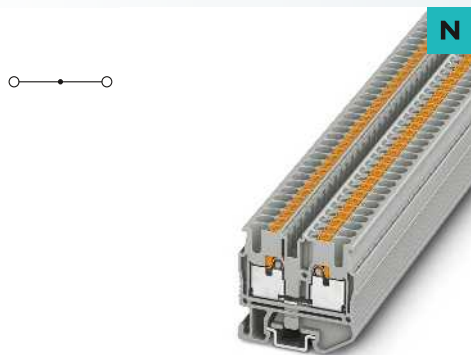
Description	No. of pos.	Color
Terminal block, for mounting on NS 15		gray blue
Ground terminal block, for mounting on NS 15		green-yellow

Ordering data		
Type	Order No.	Pcs. / Pkt.
MPT 1,5/S	3248100	50
MPT 1,5/S BU	3248101	50

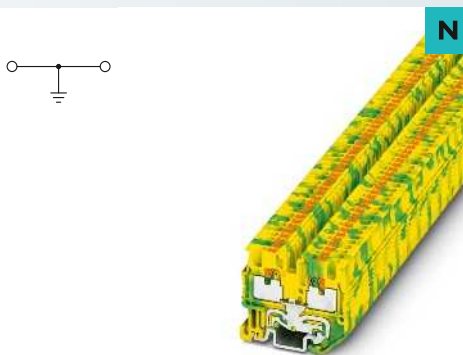
Cover, width 2.2 mm	gray
Insulation stop sleeve, cross section range:	
0.08 - 0.2 mm ²	white
0.25 - 0.5 mm ²	gray
0.75 - 1 mm ²	black
Plug-in bridge	
	2 red
	3 red
	4 red
	5 red
	10 red
	20 red
Partition plate, 2 mm width	gray
Test plug metal part, 2.3 mm Ø	
Insulating sleeve, for MPS metal part	red
Modular test plug, for the individual assembly of test plug strips	red
Screwdriver	
Center and lateral groove labeling	

Accessories		
D-MPT 1,5/S	3248120	50
FBS 2-3,5	3213014	50
FBS 3-3,5	3213027	50
FBS 4-3,5	3213030	50
FBS 5-3,5	3213043	50
FBS 10-3,5	3213056	50
FBS 20-3,5	3213069	50
ATP-ST 4	3030721	50
MPS-MT	0201744	10
MPS-IH RD	0201676	10
SZF 0-0,4X2,5	1204504	10
UCT-TMF 3,5 or ZBF 3,5 (see Catalog 5)		

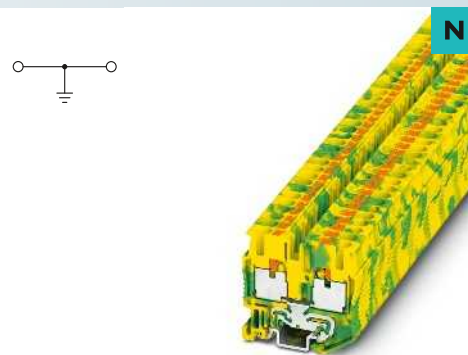




2.5 (4) mm², 30 A, mini feed-through terminal block



1.5 (1.5) mm², mini ground terminal block



2.5 (4) mm², mini ground terminal block

Technical data			
Width	Length	Height NS 15	
5.2	36	32.3	
I_{max} [A]	U_{max} [V]	max. Ø [mm ²]	AWG
30	500	0.14 - 4	26 - 12
IEC 60947-7-1			
IEC	UL/CUL	CSA	IEC/EN 60079-7
500	-	-	-
24 / 2.5	- / -	-	-
2.5	-	-	-
26 - 12	-	-	-
solid	stranded	Ferrule Without / with plastic sleeve	
0.14 - 4	0.14 - 2.5	0.14 - 2.5	0.14 - 2.5 0.5
0.34 - 4	-	0.34 - 2.5	0.34 - 2.5
10	PA	V0	

Technical data			
Width	Length	Height NS 15	
3.5	33.55	28.1	
I_{max} [A]	U_{max} [V]	max. Ø [mm ²]	AWG
-	-	0.14 - 1.5	26 - 14
IEC 60947-7-2			
IEC	UL/CUL	CSA	IEC/EN 60079-7
-	-	-	-
-	- / -	-	-
1.5	-	-	-
26 - 14	-	-	-
solid	stranded	Ferrule Without / with plastic sleeve	
0.14 - 1.5	0.14 - 1.5	0.14 - 1.5	0.14 - 1
0.25 - 1.5	-	0.34 - 1.5	0.34 - 1
8	PA	V0	

Technical data			
Width	Length	Height NS 15	
5.2	36	32.3	
I_{max} [A]	U_{max} [V]	max. Ø [mm ²]	AWG
-	-	0.14 - 4	26 - 12
IEC 60947-7-2			
IEC	UL/CUL	CSA	IEC/EN 60079-7
-	-	-	-
-	- / -	-	-
2.5	-	-	-
26 - 12	-	-	-
solid	stranded	Ferrule Without / with plastic sleeve	
0.14 - 4	0.14 - 2.5	0.14 - 2.5	0.14 - 2.5 0.5
0.34 - 4	-	0.34 - 2.5	0.34 - 2.5
10	PA	V0	

Ordering data		
Type	Order No.	Pcs. / Pkt.
MPT 2,5	3248125	50
MPT 2,5 BU	3248126	50

Ordering data		
Type	Order No.	Pcs. / Pkt.
MPT 1,5/S-PE	3248110	50

Ordering data		
Type	Order No.	Pcs. / Pkt.
MPT 2,5-PE	3248130	50

Accessories		
D-MPT 2,5	3248140	50
ISH 2,5/0,2	3002843	50
ISH 2,5/0,5	3002856	50
ISH 2,5/1,0	3002869	50
FBS 2-5	3030161	50
FBS 3-5	3030174	50
FBS 4-5	3030187	50
FBS 5-5	3030190	50
FBS 10-5	3030213	10
FBS 20-5	3030226	10
ATP-ST 4	3030721	50
MPS-MT	0201744	10
MPS-IH RD	0201676	10
PS-5	3030983	10
SZF 1-0,6X3,5	1204517	10

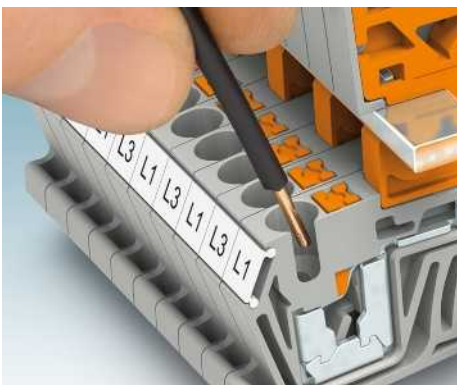
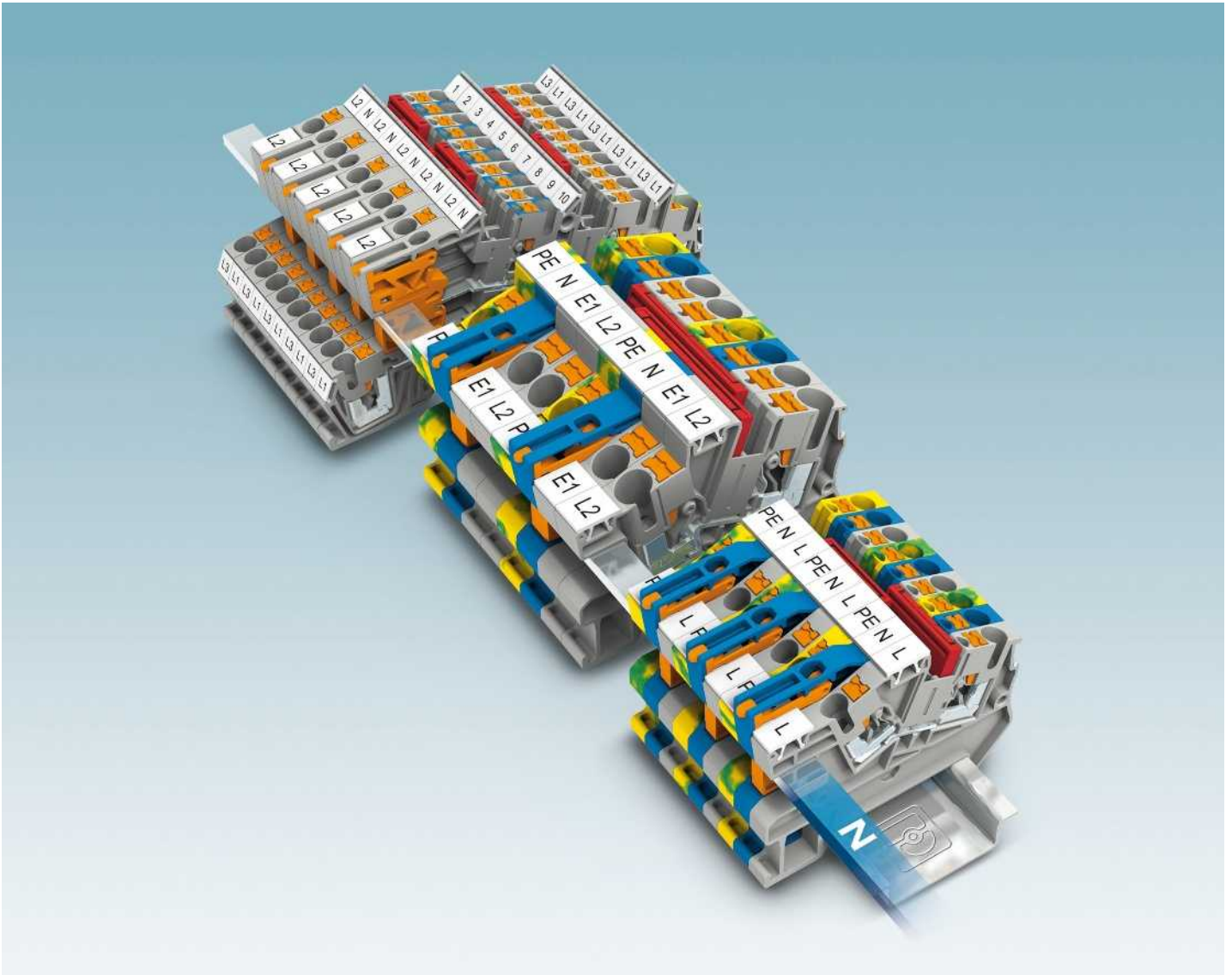
Accessories		
D-MPT 1,5/S	3248120	50
ATP-ST 4	3030721	50
MPS-MT	0201744	10
MPS-IH RD	0201676	10
SZF 0-0,4X2,5	1204504	10

Accessories		
D-MPT 2,5	3248140	50
ISH 2,5/0,2	3002843	50
ISH 2,5/0,5	3002856	50
ISH 2,5/1,0	3002869	50
ATP-ST 4	3030721	50
MPS-MT	0201744	10
MPS-IH RD	0201676	10
PS-5	3030983	10
SZF 1-0,6X3,5	1204517	10

UC-TMF 5, UCT-TMF 5 or ZBF 5 (see Catalog 5)

UCT-TMF 3,5 or ZBF 3,5 (see Catalog 5)

UC-TMF 5, UCT-TMF 5 or ZBF 5 (see Catalog 5)



Strip, insert, and you're done!

Given the limited space for wiring with this installation method, simple handling is a key benefit. The up to 50 percent reduction in insertion force offered by the new push-in connection method supports simple and direct insertion of solid and stranded conductors featuring ferrules with a cross section of 0.34 mm² or higher.



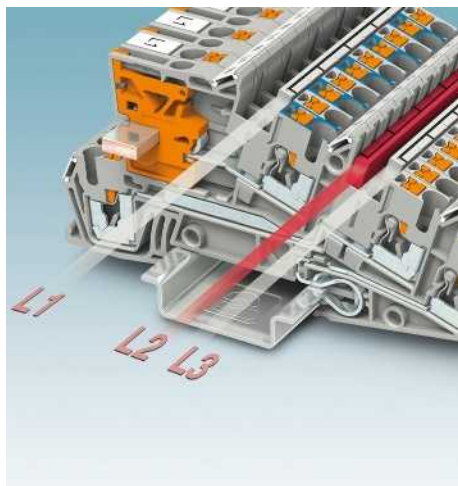
Fully-insulated actuation

The integrated latch allows you to release connections with any type of tool – easily and without direct contact with live parts.



Clear labeling

Large and clear marking is essential for reliable and quick installation. Every terminal point in the new push-in installation terminal blocks can be clearly labeled and clearly seen in every terminal block installation position in the installation distributor.



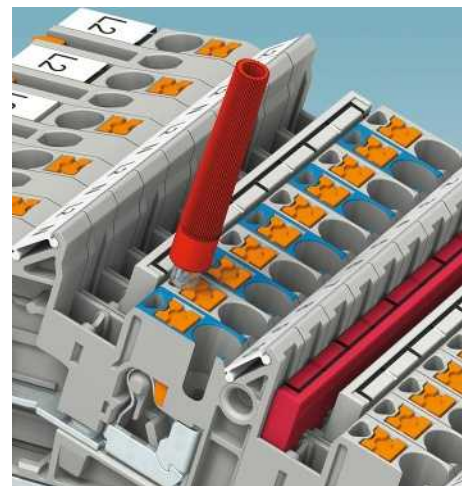
Double function shaft

Two function shafts are provided per level to allow fast and individual potential distribution. Cross connections can be reproduced any number of times with the standard bridges from the CLIPLINE complete system, e.g., three-phase systems with L1/L2/L3 potentials within a terminal strip.



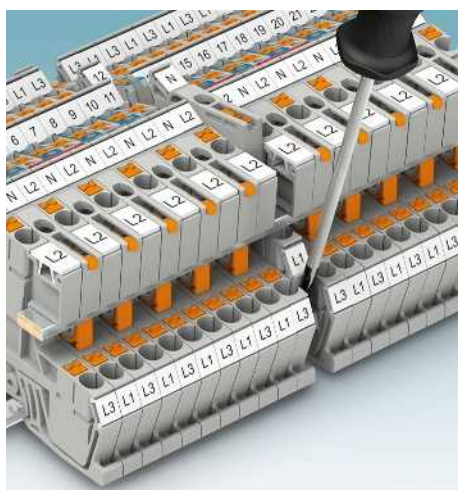
Fast and safe neutral conductor disconnection

All push-in neutral conductor disconnect terminal blocks are fitted with a robust, screwless disconnect slide. When this is levered over with a standard screwdriver, the contact fork slides onto the busbar. Engaging the slide in the end positions provides additional protection against accidental actuation. The disconnect slide is clearly visible in the respective location.



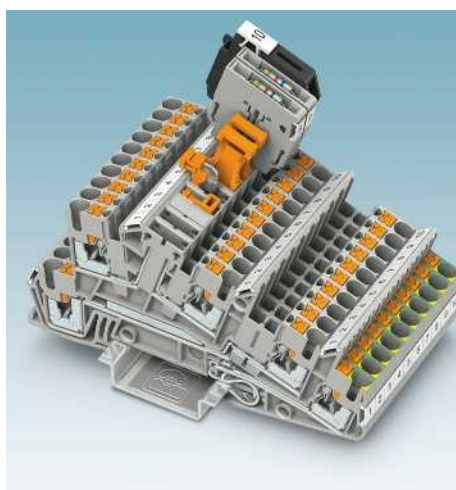
Testing facility on each terminal point

The CLIPLINE complete system features an extensive range of test accessories. All test plugs and adapters make contact in the function shaft. Furthermore, each terminal point has a 2.3 mm test contact. All measurement and test work can therefore be undertaken with ease and at speed with function shafts fitted with bridges.



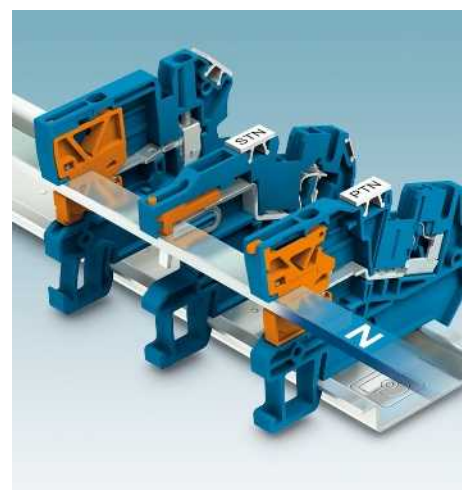
Easy to install

The push-in installation terminal blocks can be easily switched from the group, even once fitted, without the PEN conductor busbar having to be removed.



Safe individual circuit disconnection

Three-level terminal blocks with function blocks are available for special switching tasks. Disconnect element, component or fuse plugs can be easily and flexibly integrated in the standardized, universal disconnect zone. The terminal block versions with disconnect knife for individual circuit disconnection meet the safety requirements of DIN VDE 0100-718.



Any combination

All installation terminal blocks with the various STI ... spring-cage connection and UTI ... and PIK ... screw connections from Phoenix Contact can be combined in any way. The neutral busbar is on one level in all installation terminal blocks.

PTI push-in installation terminal blocks

PTI ... installation terminal blocks

The push-in installation terminal blocks are characterized by the system features of the CLIPLINE complete system and the following features:

- The new push-in connection method supports simple and direct insertion of solid and stranded conductors featuring ferrules with a cross section of 0.34 mm² or higher
- Compact design tailored to installation distributor
- Every terminal point can be clearly labeled and clearly seen in every terminal block installation position
- As well the testing facility in the function shaft, each terminal point has a test contact
- Compatible with all Phoenix Contact installation terminal blocks

Terminal strip service

We manufacture fully pre-assembled terminal strips for fitting straight in the installation distributor. This simplifies installation, saves time, and cuts costs.

CLIP PROJECT Planning enables the quick and convenient planning and configuration of fault-free terminal strips.

Notes:
Assembly instructions:
 For secure fastening of the neutral busbar, supports must be set at the beginning and end of each terminal strip as well as every 20 cm on longer terminal strips.



4 (4) mm², 24 A, feed-through terminal block

Dimensions	
	[mm]
Max. electrical data	
	[mm]
Rated data	
Rated voltage	[V]
Nominal current / cross section	[A] / [mm ²]
Rated cross section	[mm ²]
Cross section range	AWG
Connection capacity	
1 conductor	[mm ²]
Two stranded conductors with a TWIN ferrule	[mm ²]
Direct plug-in connection cross sections	[mm ²]
General data	
Stripping length	[mm]
Insulating material	
Inflammability class according to UL 94	



Technical data				
Width	Length	Height NS 35/7,5		
5.2	59.5	44		
I _{max} [A]	U _{max} [V]	max. Ø [mm ²]	AWG	
24	800	0.14 - 4	26 - 12	
IEC 60947-7-1				
IEC	UL/CUL	CSA	IEC/EN 60079-7	
800	600	-	-	
24 / 4	20 / -	-	-	
4	-	-	-	
26 - 12	26-12	-	-	
solid	stranded	Ferrule		
		Without / with plastic sleeve		
0.14 - 4	0.14 - 4	0.14 - 2.5	0.14 - 2.5	
		0.5		
0.34 - 4	-	0.34 - 2.5	0.34 - 2.5	
10				
PA				
V0				

Description	No. of pos.	Color
Terminal block, for mounting on NS 35...		gray blue

Ordering data			
Type	I _{max}	Order No.	Pcs. / Pkt.
PTI 2,5		3213968	50
PTI 2,5 BU		3213969	50

Cover, width 2.2 mm		gray
Insulation stop sleeve, cross section range:		
0.08 - 0.2 mm ²		white
0.25 - 0.5 mm ²		gray
0.75 - 1 mm ²		black
Plug-in bridge		
	2	red
	3	red
	4	red
	5	red
	10	red
	20	red
PEN conductor busbar, 3 x 10 mm, 1 m long, material: copper, tin-plated, nominal current: 140 A		silver

Accessories			
Type	I _{max}	Order No.	Pcs. / Pkt.
D-DTI 2,5		3034824	50
ISH 2,5/0,2		3002843	50
ISH 2,5/0,5		3002856	50
ISH 2,5/1,0		3002869	50
FBS 2-5	24 A	3030161	50
FBS 3-5	24 A	3030174	50
FBS 4-5	24 A	3030187	50
FBS 5-5	24 A	3030190	50
FBS 10-5	24 A	3030213	10
FBS 20-5	24 A	3030226	10
NLS-CU 3/10 SN 1000MM	140 A	0402174	10

Test adapter, 4-mm test socket hole		gray
Test plug metal part, 2.3 mm Ø		
Insulating sleeve, for MPS metal part		red
Modular test plug, for the individual assembly of test plug strips		red
Support, blue insulating material, for holding the neutral busbar, must be set every 20 cm, 2 mm wide		blue

PAI-4-N GY		3032871	10
MPS-MT		0201744	10
MPS-IH RD		0201676	10
PS-5		3030983	10
AB-PTI		3214006	50

Screwdriver

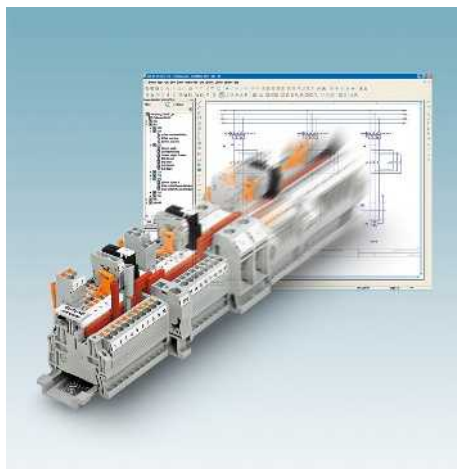
SZF 1-0,6X3,5 1204517 10

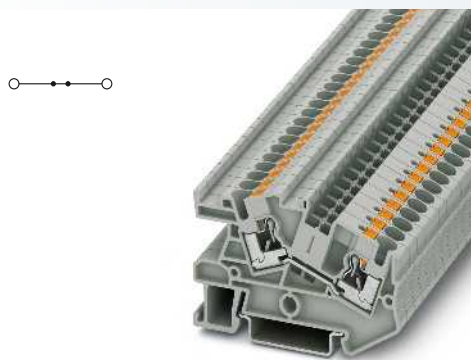
Center groove labeling

UC-TM 5, UCT-TM 5 or ZB 5 (see Catalog 5)

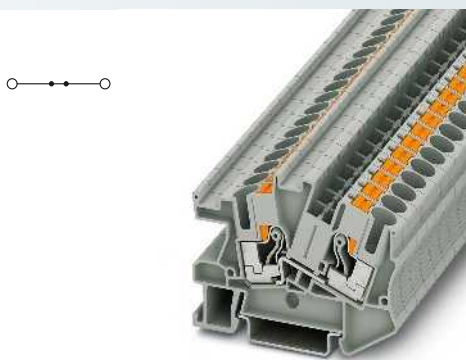
Center and lateral groove labeling

UC-TMF 5, UCT-TMF 5 or ZBF 5 (see Catalog 5)





4 (6) mm², 32 A, feed-through terminal block



6 (10) mm², 41 A, feed-through terminal block

Technical data			
Width	Length	Height NS 35/7,5	
6.2	66	44	
I_{max} [A]	U_{max} [V]	max. Ø [mm ²]	AWG
32	800	0.2 - 6	24 - 10
IEC 60947-7-1			
IEC	UL/CUL	CSA	IEC/EN 60079-7
800	-	-	-
32 / 4	- / -	-	-
4	-	-	-
24 - 10	-	-	-
solid	stranded	Ferrule Without / with plastic sleeve	
0.2 - 6	0.2 - 4	0.25 - 4	0.25 - 4 0.5 - 1
0.5 - 6	-	0.5 - 4	0.5 - 4
12			
PA			
V0			

Technical data			
Width	Length	Height NS 35/7,5	
8.2	66	50	
I_{max} [A]	U_{max} [V]	max. Ø [mm ²]	AWG
41	800	0.5 - 10	20 - 8
IEC 60947-7-1			
IEC	UL/CUL	CSA	IEC/EN 60079-7
800	-	-	-
41 / 6	- / -	-	-
6	-	-	-
20 - 8	-	-	-
solid	stranded	Ferrule Without / with plastic sleeve	
0.5 - 10	0.5 - 6	0.5 - 6	0.5 - 6 0.5 - 1.5
1 - 10	-	1 - 6	1 - 6
12			
PA			
V0			

Ordering data			
Type	I_{max}	Order No.	Pcs. / Pkt.
PTI 4		3213970	50
PTI 4 BU		3213971	50

Ordering data			
Type	I_{max}	Order No.	Pcs. / Pkt.
PTI 6		3213972	50
PTI 6 BU		3213973	50

Accessories			
D-DTI 4		3034895	50
ISH 4/0,5		3002885	50
ISH 4/1,0		3002898	50
FBS 2-6	32 A	3030336	50
FBS 3-6	32 A	3030242	50
FBS 4-6	32 A	3030255	50
FBS 5-6	32 A	3030349	50
FBS 10-6	32 A	3030271	10
FBS 20-6	32 A	3030365	10
NLS-CU 3/10 SN 1000MM	140 A	0402174	10
PAI-4-N GY		3032871	10
MPS-MT		0201744	10
MPS-IH RD		0201676	10
PS-6		3030996	10
AB-PTI		3214006	50
SZF 1-0,6X3,5		1204517	10

Accessories			
D-DTI 6		3034947	50
FBS 2-8	41 A	3030284	10
FBS 3-8	41 A	3030297	10
FBS 4-8	41 A	3030307	10
FBS 5-8	41 A	3030310	10
FBS 10-8	41 A	3030323	10
NLS-CU 3/10 SN 1000MM	140 A	0402174	10
PAI-4-N GY		3032871	10
MPS-MT		0201744	10
MPS-IH RD		0201676	10
PS-8		3031005	10
AB-PTI 6		3214008	50
SZF 2-0,8X4,0		1204520	10

UC-TM 6, UCT-TM 6 or ZB 6
(see Catalog 5)
UC-TMF 6, UCT-TMF 6 or ZBF 6
(see Catalog 5)

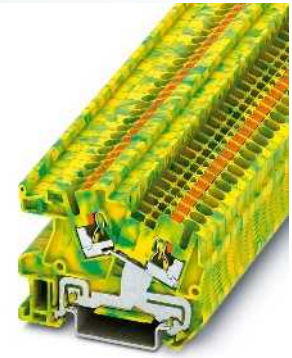
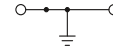
UC-TM 8, UCT-TM 8 or ZB 8
(see Catalog 5)
UC-TMF 8, UCT-TMF 8 or ZBF 8
(see Catalog 5)

PTI push-in installation terminal blocks

PTI ...-PE installation ground terminal blocks

- Same shape and pitch as the feed-through terminal blocks
- Contact is made free from mechanical and electrical errors by simply snapping onto the DIN rail
- All the requirements of standard IEC 60947-7-2 are met

Notes:
For current carrying capacity of DIN rails, see page 716.



4 (4) mm², ground terminal block



Dimensions			
		[mm]	
Max. electrical data			
Rated data			
Rated voltage		[V]	-
Nominal current / cross section		[A] / [mm ²]	- / -
Rated cross section		[mm ²]	4
Cross section range		AWG	26 - 12
Connection capacity			
1 conductor		[mm ²]	0.14 - 4
Two stranded conductors with a TWIN ferrule		[mm ²]	0.14 - 4
Direct plug-in connection cross sections		[mm ²]	0.34 - 4
General data			
Stripping length		[mm]	10
Insulating material			PA
Inflammability class according to UL 94			V0

Technical data			
Width	Length	Height NS 35/7,5	
5,2	59,5	44	
		max. Ø [mm ²]	AWG
		0.14 - 4	26 - 12
IEC 60947-7-2			
IEC	UL/CUL	CSA	IEC/EN 60079-7
-	-	-	-
Connection capacity			
		Ferrule	
		Without / with plastic sleeve	
1 conductor	Two stranded conductors with a TWIN ferrule	0.14 - 2.5	0.14 - 2.5
			0.5
Direct plug-in connection cross sections		0.34 - 2.5	0.34 - 2.5
General data			
Stripping length		10	
Insulating material		PA	
Inflammability class according to UL 94		V0	

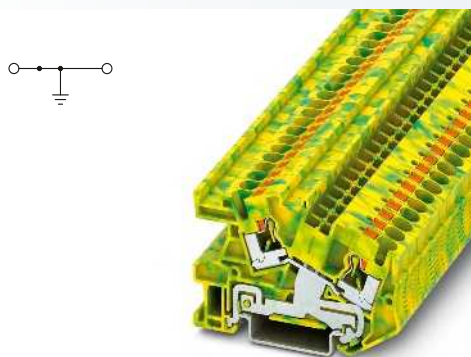
Description	No. of pos.	Color
Ground terminal block , for mounting on NS 35...		green-yellow

Ordering data			
Type	I _{max}	Order No.	Pcs. / Pkt.
PTI 2,5-PE		3213962	50

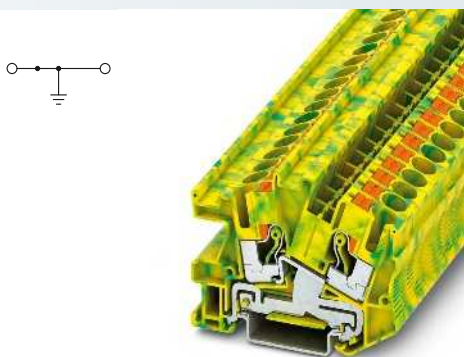
Cover , width 2.2 mm		gray
Insulation stop sleeve , cross section range:		
0.08 - 0.2 mm ²		white
0.25 - 0.5 mm ²		gray
0.75 - 1 mm ²		black
Plug-in bridge		
	2	red
	3	red
	4	red
	5	red
	10	red
	20	red
PEN conductor busbar , 3 x 10 mm, 1 m long, material: copper, tin-plated, nominal current: 140 A		silver
Test adapter , 4-mm test socket hole		gray
Test plug metal part , 2.3 mm Ø		
Insulating sleeve , for MPS metal part		red
Modular test plug , for the individual assembly of test plug strips		red
Support , blue insulating material, for holding the neutral busbar, must be set every 20 cm, 2 mm wide		blue
Screwdriver		

Accessories			
D-DTI 2,5		3034824	50
ISH 2,5/0,2		3002843	50
ISH 2,5/0,5		3002856	50
ISH 2,5/1,0		3002869	50
FBS 2-5		3030161	50
FBS 3-5		3030174	50
FBS 4-5		3030187	50
FBS 5-5		3030190	50
FBS 10-5		3030213	10
FBS 20-5		3030226	10
NLS-CU 3/10 SN 1000MM	140 A	0402174	10
PAI-4-N GY		3032871	10
MPS-MT		0201744	10
MPS-IH RD		0201676	10
PS-5		3030983	10
AB-PTI		3214006	50
SZF 1-0,6X3,5		1204517	10

Center groove labeling	UC-TM 5, UCT-TM 5 or ZB 5 (see Catalog 5)
Center and lateral groove labeling	UC-TMF 5, UCT-TMF 5 or ZBF 5 (see Catalog 5)



4 (6) mm², ground terminal block



6 (10) mm², ground terminal block

Technical data			
Width	Length	Height NS 35/7,5	
6.2	65.9	44	
		max. Ø [mm ²]	AWG
		0.2 - 6	24 - 10
IEC 60947-7-2			
IEC	UL/CUL	CSA	IEC/EN 60079-7
-	-	-	-
-	-/-	-	-
4	-	-	-
24 - 10	-	-	-
solid	stranded	Ferrule Without / with plastic sleeve	
0.2 - 6	0.2 - 4	0.25 - 4	0.25 - 4 0.5 - 1
0.5 - 6	-	0.5 - 4	0.5 - 4
12			
PA			
V0			

Technical data			
Width	Length	Height NS 35/7,5	
8.2	66	50	
		max. Ø [mm ²]	AWG
		0.5 - 10	20 - 8
IEC 60947-7-2			
IEC	UL/CUL	CSA	IEC/EN 60079-7
-	-	-	-
-	-/-	-	-
6	-	-	-
20 - 8	-	-	-
solid	stranded	Ferrule Without / with plastic sleeve	
0.5 - 10	0.5 - 6	0.5 - 6	0.5 - 6 0.5 - 1.5
1 - 10	-	1 - 6	1 - 6
12			
PA			
V0			

Ordering data			
Type	I _{max}	Order No.	Pcs. / Pkt.
PTI 4-PE		3213964	50

Ordering data			
Type	I _{max}	Order No.	Pcs. / Pkt.
PTI 6-PE		3213966	50

Accessories			
D-DTI 4		3034895	50
ISH 4/0,5		3002885	50
ISH 4/1,0		3002898	50
FBS 2-6		3030336	50
FBS 3-6		3030242	50
FBS 4-6		3030255	50
FBS 5-6		3030349	50
FBS 10-6		3030271	10
FBS 20-6		3030365	10
NLS-CU 3/10 SN 1000MM	140 A	0402174	10
PAI-4-N GY		3032871	10
MPS-MT		0201744	10
MPS-IH RD		0201676	10
PS-6		3030996	10
AB-PTI		3214006	50
SZF 1-0,6X3,5		1204517	10

Accessories			
D-DTI 6		3034947	50
FBS 2-8		3030284	10
FBS 3-8		3030297	10
FBS 4-8		3030307	10
FBS 5-8		3030310	10
FBS 10-8		3030323	10
NLS-CU 3/10 SN 1000MM	140 A	0402174	10
PAI-4-N GY		3032871	10
MPS-MT		0201744	10
MPS-IH RD		0201676	10
PS-8		3031005	10
AB-PTI 6		3214008	50
SZF 2-0,8X4,0		1204520	10

UC-TM 6, UCT-TM 6 or ZB 6
(see Catalog 5)
UC-TMF 6, UCT-TMF 6 or ZBF 6
(see Catalog 5)

UC-TM 8, UCT-TM 8 or ZB 8
(see Catalog 5)
UC-TMF 8, UCT-TMF 8 or ZBF 8
(see Catalog 5)

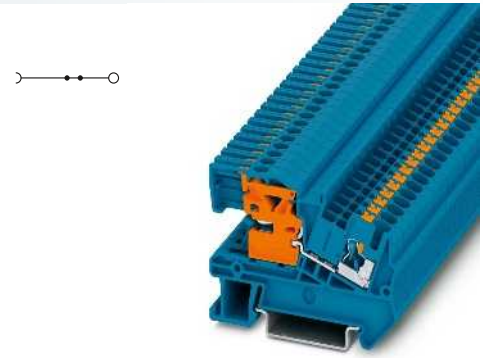
PTI push-in installation terminal blocks

PTN ... neutral conductor disconnect terminal blocks

All neutral conductor disconnect terminal blocks are fitted with a screwless disconnect slide and offer:

- Fast and reliable neutral conductor disconnect
- Secure latching of slide in end positions
- Clear view of the slide position

Notes:
Assembly instructions: For secure fastening of the neutral busbar, supports must be set at the beginning and end of each terminal strip as well as every 20 cm on longer terminal strips.
For L/N/PE AKG ... connection terminal blocks, see page 94.



4 (4) mm², 24 A, neutral disconnect terminal block



Dimensions		[mm]
Max. electrical data		
Rated data		
Rated voltage	[V]	250
Nominal current / cross section	[A] / [mm ²]	24 / 2.5
Rated cross section	[mm ²]	4
Cross section range	AWG	26 - 12
Connection capacity		
1 conductor	[mm ²]	0.14 - 4
Two stranded conductors with a TWIN ferrule	[mm ²]	0.14 - 4
Direct plug-in connection cross sections	[mm ²]	0.34 - 4
General data		
Stripping length	[mm]	10
Insulating material		PA
Inflammability class according to UL 94		V0

Technical data				
Width	Length	Height NS 35/7,5		
5.2	59	46.3		
I _{max} [A]	U _{max} [V]	max. Ø [mm ²]	AWG	
24	250	0.14 - 4	26 - 12	
IEC 60947-7-1				
IEC	UL/CUL	CSA	IEC/EN 60079-7	
250	600	-	-	
24 / 2.5	20 / -	-	-	
4	-	-	-	
26 - 12	26-12	-	-	
solid		stranded		Ferrule
		Without / with plastic sleeve		
0.14 - 4	0.14 - 4	0.14 - 2.5	0.14 - 2.5	
			0.5	
0.34 - 4	-	0.34 - 2.5	0.34 - 2.5	

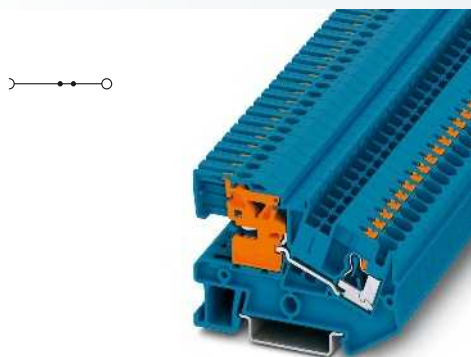
Description	No. of pos.	Color
Neutral disconnect terminal block, for mounting on NS 35...		blue

Ordering data			
Type	I _{max}	Order No.	Pcs. / Pkt.
PTN 2,5		3213963	50

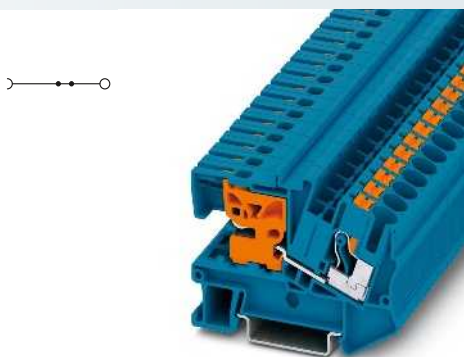
Cover, width 2.2 mm		blue
Insulation stop sleeve, cross section range:		
0.08 - 0.2 mm ²		white
0.25 - 0.5 mm ²		gray
0.75 - 1 mm ²		black
Plug-in bridge		
	2	red
	3	red
	4	red
	5	red
	10	red
	20	red
PEN conductor busbar , 3 x 10 mm, 1 m long, material: copper, tin-plated, nominal current: 140 A		silver
Test adapter , 4-mm test socket hole		gray
Test plug metal part , 2.3 mm Ø		
Insulating sleeve , for MPS metal part		red
Modular test plug , for the individual assembly of test plug strips		red
Support , blue insulating material, for holding the neutral busbar, must be set every 20 cm, 2 mm wide		blue
Screwdriver		

Accessories			
D-PTN 2,5		Order No.	Pcs. / Pkt.
		3213977	50
ISH 2,5/0,2		3002843	50
ISH 2,5/0,5		3002856	50
ISH 2,5/1,0		3002869	50
FBS 2-5	24 A	3030161	50
FBS 3-5	24 A	3030174	50
FBS 4-5	24 A	3030187	50
FBS 5-5	24 A	3030190	50
FBS 10-5	24 A	3030213	10
FBS 20-5	24 A	3030226	10
NLS-CU 3/10 SN 1000MM	140 A	0402174	10
PAI-4-N GY		3032871	10
MPS-MT		0201744	10
MPS-IH RD		0201676	10
PS-5		3030983	10
AB-PTI		3214006	50
SZF 1-0,6X3,5		1204517	10

Center groove labeling	UC-TM 5, UCT-TM 5 or ZB 5 (see Catalog 5)
Center and lateral groove labeling	UC-TMF 5, UCT-TMF 5 or ZBF 5 (see Catalog 5)



4 (6) mm², 32 A, neutral disconnect terminal block



6 (10) mm², 41 A, neutral disconnect terminal block

Technical data			
Width	Length	Height NS 35/7,5	
6.2	66	46.3	
I_{max} [A]	U_{max} [V]	max. Ø [mm ²]	AWG
32	250	0.2 - 6	24 - 10
IEC 60947-7-1			
IEC	UL/CUL	CSA	IEC/EN 60079-7
250	-	-	-
32 / 4	- / -	-	-
4	-	-	-
24 - 10	-	-	-
solid	stranded	Ferrule Without / with plastic sleeve	
0.2 - 6	0.2 - 4	0.25 - 4	0.25 - 4 0.5 - 1
0.5 - 6	-	0.5 - 4	0.5 - 4
12 PA V0			

Technical data			
Width	Length	Height NS 35/7,5	
8.2	66.3	50	
I_{max} [A]	U_{max} [V]	max. Ø [mm ²]	AWG
41	400	0.5 - 10	20 - 8
IEC 60947-7-1			
IEC	UL/CUL	CSA	IEC/EN 60079-7
400	-	-	-
41 / 6	- / -	-	-
6	-	-	-
20 - 8	-	-	-
solid	stranded	Ferrule Without / with plastic sleeve	
0.5 - 10	0.5 - 6	0.5 - 6	0.5 - 6 0.5 - 1.5
1 - 10	-	1 - 6	1 - 6
12 PA V0			

Ordering data			
Type	I_{max}	Order No.	Pcs. / Pkt.
PTN 4		3213965	50

Ordering data			
Type	I_{max}	Order No.	Pcs. / Pkt.
PTN 6		3213967	50

Accessories			
D-PTN 4		3213978	50
ISH 4/0,5		3002885	50
ISH 4/1,0		3002898	50
FBS 2-6	32 A	3030336	50
FBS 3-6	32 A	3030242	50
FBS 4-6	32 A	3030255	50
FBS 5-6	32 A	3030349	50
FBS 10-6	32 A	3030271	10
FBS 20-6	32 A	3030365	10
NLS-CU 3/10 SN 1000MM	140 A	0402174	10
PAI-4-N GY		3032871	10
MPS-MT		0201744	10
MPS-IH RD		0201676	10
PS-6		3030996	10
AB-PTI		3214006	50
SZF 1-0,6X3,5		1204517	10

Accessories			
D-PTN 6		3213979	50
FBS 2-8	41 A	3030284	10
FBS 3-8	41 A	3030297	10
FBS 4-8	41 A	3030307	10
FBS 5-8	41 A	3030310	10
FBS 10-8	41 A	3030323	10
NLS-CU 3/10 SN 1000MM	140 A	0402174	10
PS-8		3031005	10
AB-PTI 6		3214008	50
SZF 2-0,8X4,0		1204520	10

UC-TM 6, UCT-TM 6 or ZB 6
(see Catalog 5)
UC-TMF 6, UCT-TMF 6 or ZBF 6
(see Catalog 5)

UC-TM 8, UCT-TM 8 or ZB 8
(see Catalog 5)
UC-TMF 8, UCT-TMF 8 or ZBF 8
(see Catalog 5)

PTI push-in installation terminal blocks

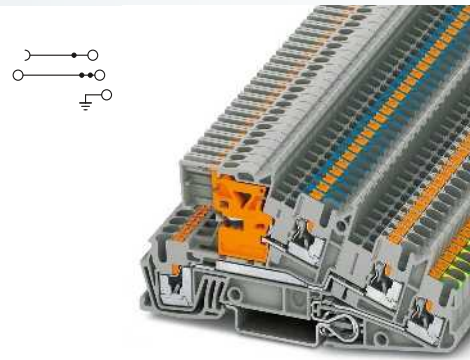
PTI ... three-level installation terminal blocks



- Optimum operating convenience with extremely compact design
- Quickly wire load circuits with a pitch of just 5.2 mm
- Double function shafts on all levels
- Every terminal point can be clearly labeled and clearly seen in every terminal block installation position

CLIP PROJECT Planning enables the quick and convenient planning and configuration of fault-free terminal strips.

Notes:
Assembly instructions: For secure fastening of the neutral busbar, supports must be set at the beginning and end of each terminal strip as well as every 20 cm on longer terminal strips.
For L/N/PE AKG ... connection terminal blocks and further accessories, see page 94.
1) 3-pos. termination block.



4 (4) mm², 30 A, three-level terminal block, 1 x L phase conductor, 1 x N conductor can be disconnected, 1 x PE

Dimensions				
		[mm]		
Max. electrical data				
Rated data				
Rated voltage	[V]	400	300	-
Phase conductor / phase conductor	[V]	400	-	-
Phase conductor / PE	[V]	250	-	-
Phase conductor / N	[V]	250	-	-
Nominal current / cross section	[A] / [mm ²]	24 / 4	20 / -	-
Rated cross section	[mm ²]	4	-	-
Cross section range	AWG	26 - 12	26-12	-
Connection capacity				
1 conductor	[mm ²]	0.14 - 4	0.14 - 4	0.14 - 2.5
Two stranded conductors with a TWIN ferrule	[mm ²]	-	-	0.5
Direct plug-in connection cross sections	[mm ²]	0.34 - 4	-	0.34 - 2.5
General data				
Stripping length	[mm]	10		
Insulating material		PA		
Inflammability class according to UL 94		V0		



Technical data				
Width	Length	Height NS 35/7,5		
5.2	101	50.5		
I _{max} [A]	U _{max} [V]	max. Ø [mm ²]	AWG	
30 ¹⁾	400	0.14 - 4	26 - 12	
IEC	UL/CUL	CSA	IEC/EN 60079-7	
400	300	-	-	
400	-	-	-	
250	-	-	-	
250	-	-	-	
24 / 4	20 / -	-	-	
4	-	-	-	
26 - 12	26-12	-	-	
solid	stranded	Ferrule		
		Without / with plastic sleeve		
0.14 - 4	0.14 - 4	0.14 - 2.5	0.14 - 2.5	
		0.5		
0.34 - 4	-	0.34 - 2.5	0.34 - 2.5	

Description	No. of pos.	Color
Terminal block , for mounting on NS 35...		gray

Cover , width 2.2 mm		gray
Plug-in bridge		

	2	red
	3	red
	4	red
	5	red
	10	red
	20	red
PEN conductor busbar , 3 x 10 mm, 1 m long, material: copper, tin-plated, nominal current: 140 A		silver

Connection terminal block , steel, is pushed onto the NLS neutral busbar, can be labeled using ZB, with insulating cap, solid up to 16 mm ² , 10 mm wide		blue
--	--	------

Up to 35 mm ² solid, 14.3 mm wide		blue
Test plug metal part , 2.3 mm Ø		red
Insulating sleeve , for MPS metal part		red
Modular test plug , for the individual assembly of test plug strips		red

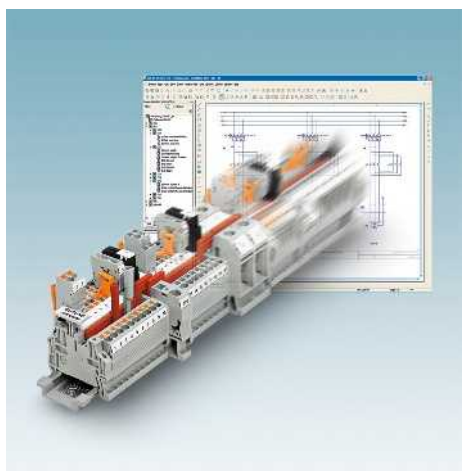
Support , to hold the neutral busbar, set every 20 cm, 2 mm wide		blue
---	--	------

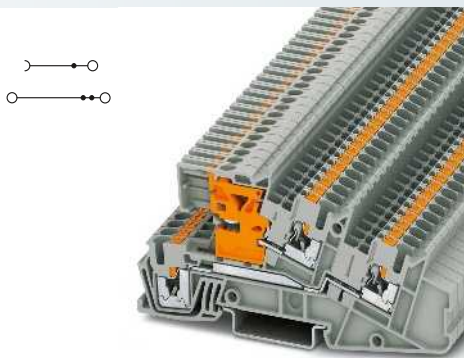
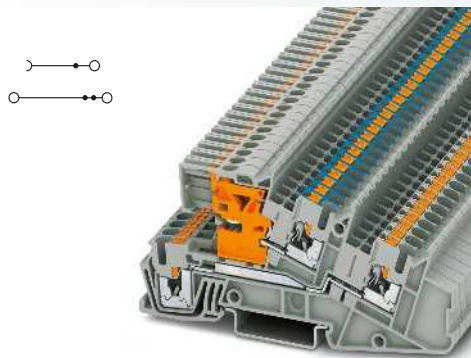
Partition plate , 2.2 mm wide		gray
Screwdriver		

Center groove labeling		
Center and lateral groove labeling		

Ordering data			
Type	I _{max}	Order No.	Pcs. / Pkt.
PTI 2,5-PE/L/NT		3213946	50

Accessories			
D-PTI/3		Order No.	Pcs. / Pkt.
		3213975	50
FBS 2-5	24 A	3030161	50
FBS 3-5	24 A	3030174	50
FBS 4-5	24 A	3030187	50
FBS 5-5	24 A	3030190	50
FBS 10-5	24 A	3030213	10
FBS 20-5	24 A	3030226	10
NLS-CU 3/10 SN 1000MM	140 A	0402174	10
AKG 16 BU		0423014	50
AKG 35 BU		0424013	50
MPS-MT		0201744	10
MPS-IH RD		0201676	10
PS-5		3030983	10
AB-PTI/3		3213974	50
ATP-PTI/3		3213990	50
SZF 1-0,6X3,5		1204517	10





4 (4) mm², 30 A, three-level terminal block, 1 x L phase conductor, 1 x N conductor can be disconnected

4 (4) mm², 30 A, three-level terminal block, 1 x L phase conductor, 1 x L phase conductor can be disconnected



Technical data			
Width	Length	Height NS 35/7,5	
5.2	101	50.5	
I_{max} [A]	U_{max} [V]	max. Ø [mm ²]	AWG
30 ¹⁾	400	0.14 - 4	26 - 12
IEC	UL/CUL	CSA	IEC/EN 60079-7
400	300	-	-
400	-	-	-
-	-	-	-
250	-	-	-
24 / 4	20 / -	-	-
4	-	-	-
26 - 12	26-12	-	-
solid	stranded	Ferrule Without / with plastic sleeve	
0.14 - 4	0.14 - 4	0.14 - 2.5	0.14 - 2.5 0.5
0.34 - 4	-	0.34 - 2.5	0.34 - 2.5
10	PA	V0	

Technical data			
Width	Length	Height NS 35/7,5	
5.2	101	50.5	
I_{max} [A]	U_{max} [V]	max. Ø [mm ²]	AWG
30 ¹⁾	400	0.14 - 4	26 - 12
IEC	UL/CUL	CSA	IEC/EN 60079-7
400	300	-	-
400	-	-	-
-	-	-	-
250	-	-	-
24 / 4	20 / -	-	-
4	-	-	-
26 - 12	26-12	-	-
solid	stranded	Ferrule Without / with plastic sleeve	
0.14 - 4	0.14 - 4	0.14 - 2.5	0.14 - 2.5 0.5
0.34 - 4	-	0.34 - 2.5	0.34 - 2.5
10	PA	V0	

Ordering data			
Type	I_{max}	Order No.	Pcs. / Pkt.
PTI 2,5-L/NT		3213947	50

Ordering data			
Type	I_{max}	Order No.	Pcs. / Pkt.
PTI 2,5-L/LT		3213948	50

Accessories			
D-PTI/3		3213975	50
FBS 2-5	24 A	3030161	50
FBS 3-5	24 A	3030174	50
FBS 4-5	24 A	3030187	50
FBS 5-5	24 A	3030190	50
FBS 10-5	24 A	3030213	10
FBS 20-5	24 A	3030226	10
NLS-CU 3/10 SN 1000MM	140 A	0402174	10
AKG 16 BU		0423014	50
AKG 35 BU		0424013	50
MPS-MT		0201744	10
MPS-IH RD		0201676	10
PS-5		3030983	10
AB-PTI/3		3213974	50
ATP-PTI/3		3213990	50
SZF 1-0,6X3,5		1204517	10

Accessories			
D-PTI/3		3213975	50
FBS 2-5	24 A	3030161	50
FBS 3-5	24 A	3030174	50
FBS 4-5	24 A	3030187	50
FBS 5-5	24 A	3030190	50
FBS 10-5	24 A	3030213	10
FBS 20-5	24 A	3030226	10
NLS-CU 3/10 SN 1000MM	140 A	0402174	10
AKG 16 BU		0423014	50
AKG 35 BU		0424013	50
MPS-MT		0201744	10
MPS-IH RD		0201676	10
PS-5		3030983	10
AB-PTI/3		3213974	50
ATP-PTI/3		3213990	50
SZF 1-0,6X3,5		1204517	10

UC-TM 5, UCT-TM 5 or ZB 5
(see Catalog 5)
UC-TMF 5, UCT-TMF 5 or ZBF 5
(see Catalog 5)

UC-TM 5, UCT-TM 5 or ZB 5
(see Catalog 5)
UC-TMF 5, UCT-TMF 5 or ZBF 5
(see Catalog 5)

Modular terminal blocks - CLIPLINE complete

PTI push-in installation terminal blocks

PTI ... three-level installation terminal blocks

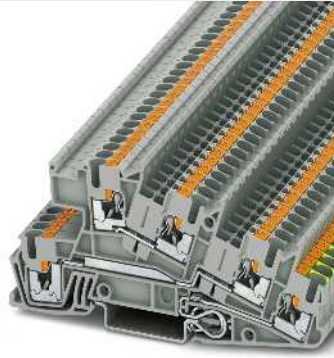
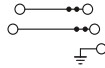
Notes:

Assembly instructions:

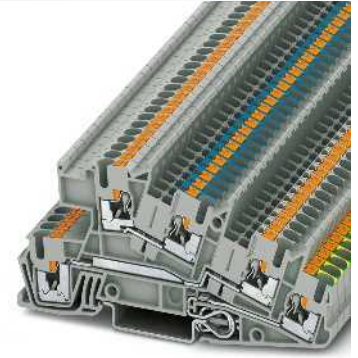
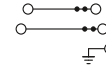
For secure fastening of the neutral busbar, supports must be set at the beginning and end of each terminal strip as well as every 20 cm on longer terminal strips.

For L/N/PE AKG ... connection terminal blocks and further accessories, see page 94.

1) 3-pos. termination block.



4 (4) mm², 30 A, three-level terminal block,
2 x L phase conductor, 1 x PE



4 (4) mm², 30 A, three-level terminal block,
1 x L phase conductor, 1 x N conductor, 1 x PE



Technical data				
Width	Length	Height NS 35/7,5		
5.2	101	50.5		
I _{max} [A]	U _{max} [V]	max. Ø [mm ²]	AWG	
30	400	0.14 - 4	26 - 12	
Rated data	IEC	UL/CUL	CSA	IEC/EN 60079-7
Rated voltage [V]	400	300	-	-
Phase conductor / phase conductor [V]	400	-	-	-
Phase conductor / PE [V]	250	-	-	-
Phase conductor / N [V]	-	-	-	-
Nominal current / cross section [A] / [mm ²]	24 / 4	20 / -	-	-
Rated cross section [mm ²]	4	-	-	-
Cross section range AWG	26 - 12	26-12	-	-
Connection capacity	solid	stranded	Ferrule Without / with plastic sleeve	
1 conductor [mm ²]	0.14 - 4	0.14 - 4	0.14 - 2.5	0.14 - 2.5
Two stranded conductors with a TWIN ferrule [mm ²]	-	-	-	0.5
Direct plug-in connection cross sections [mm ²]	0.34 - 4	-	0.34 - 2.5	0.34 - 2.5
General data				
Stripping length [mm]	10			
Insulating material	PA			
Inflammability class according to UL 94	V0			



Technical data				
Width	Length	Height NS 35/7,5		
5.2	101	50.5		
I _{max} [A]	U _{max} [V]	max. Ø [mm ²]	AWG	
30	400	0.14 - 4	26 - 12	
Rated data	IEC	UL/CUL	CSA	IEC/EN 60079-7
Rated voltage [V]	400	300	-	-
Phase conductor / phase conductor [V]	400	-	-	-
Phase conductor / PE [V]	250	-	-	-
Phase conductor / N [V]	250	-	-	-
Nominal current / cross section [A] / [mm ²]	24 / 4	20 / -	-	-
Rated cross section [mm ²]	4	-	-	-
Cross section range AWG	26 - 12	26-12	-	-
Connection capacity	solid	stranded	Ferrule Without / with plastic sleeve	
1 conductor [mm ²]	0.14 - 4	0.14 - 4	0.14 - 2.5	0.14 - 2.5
Two stranded conductors with a TWIN ferrule [mm ²]	-	-	-	0.5
Direct plug-in connection cross sections [mm ²]	0.34 - 4	-	0.34 - 2.5	0.34 - 2.5
General data				
Stripping length [mm]	10			
Insulating material	PA			
Inflammability class according to UL 94	V0			

Ordering data

Description	No. of pos.	Color
Terminal block, for mounting on NS 35...		gray gray/blue

Type	I _{max}	Order No.	Pcs. / Pkt.
PTI 2,5-PE/L/L		3213949	50

Ordering data

Type	I _{max}	Order No.	Pcs. / Pkt.
PTI 2,5-PE/L/N		3213950	50

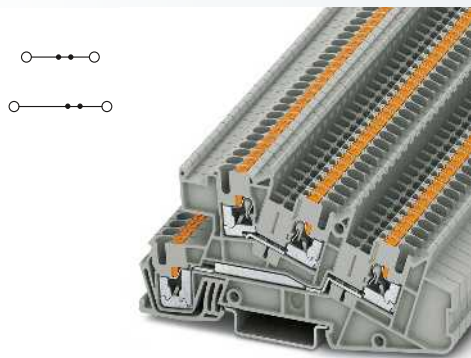
Accessories

Cover, width 2.2 mm	gray		
Plug-in bridge			
	2	red	
	3	red	
	4	red	
	5	red	
	10	red	
	20	red	
PEN conductor busbar, 3 x 10 mm, 1 m long, material: copper, tin-plated, nominal current: 140 A		silver	
Connection terminal block, steel, is pushed onto the NLS neutral busbar, can be labeled using ZB, with insulating cap, solid up to 16 mm ² , 10 mm wide		blue	
Up to 35 mm ² solid, 14.3 mm wide		blue	
Test plug metal part, 2.3 mm Ø			
Insulating sleeve, for MPS metal part		red	
Modular test plug, for the individual assembly of test plug strips		red	
Support, to hold the neutral busbar, set every 20 cm, 2 mm wide		blue	
Partition plate, 2.2 mm wide		gray	
Screwdriver			
Center groove labeling			
Center and lateral groove labeling			

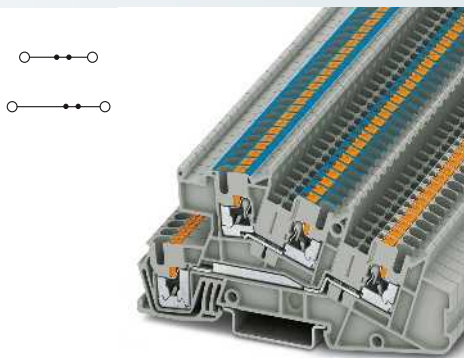
D-PTI/3		3213975	50
FBS 2-5	24 A	3030161	50
FBS 3-5	24 A	3030174	50
FBS 4-5	24 A	3030187	50
FBS 5-5	24 A	3030190	50
FBS 10-5	24 A	3030213	10
FBS 20-5	24 A	3030226	10
NLS-CU 3/10 SN 1000MM	140 A	0402174	10
AKG 16 BU		0423014	50
AKG 35 BU		0424013	50
MPS-MT		0201744	10
MPS-IH RD		0201676	10
PS-5		3030983	10
AB-PTI/3		3213974	50
ATP-PTI/3		3213990	50
SZF 1-0,6X3,5		1204517	10
UC-TM 5, UCT-TM 5 or ZB 5 (see Catalog 5)			
UC-TMF 5, UCT-TMF 5 or ZBF 5 (see Catalog 5)			

Accessories

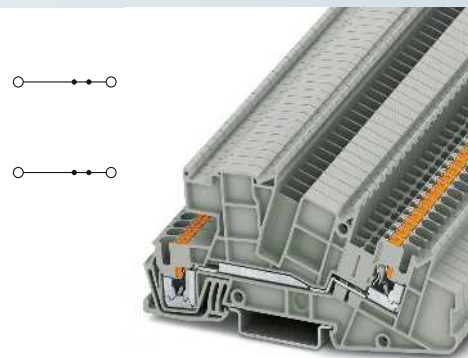
D-PTI/3		3213975	50
FBS 2-5	24 A	3030161	50
FBS 3-5	24 A	3030174	50
FBS 4-5	24 A	3030187	50
FBS 5-5	24 A	3030190	50
FBS 10-5	24 A	3030213	10
FBS 20-5	24 A	3030226	10
NLS-CU 3/10 SN 1000MM	140 A	0402174	10
AKG 16 BU		0423014	50
AKG 35 BU		0424013	50
MPS-MT		0201744	10
MPS-IH RD		0201676	10
PS-5		3030983	10
AB-PTI/3		3213974	50
ATP-PTI/3		3213990	50
SZF 1-0,6X3,5		1204517	10
UC-TM 5, UCT-TM 5 or ZB 5 (see Catalog 5)			
UC-TMF 5, UCT-TMF 5 or ZBF 5 (see Catalog 5)			



4 (4) mm², 30 A, three-level terminal block,
2 x L phase conductor



4 (4) mm², 30 A, three-level terminal block,
1 x L phase conductor, 1 x N conductor



4 (4) mm², 30 A, three-level terminal block,
1 x L phase conductor



Technical data			
Width	Length	Height NS 35/7,5	
5.2	101	50.5	
I_{max} [A]	U_{max} [V]	max. \varnothing [mm ²]	AWG
30	400	0.14 - 4	26 - 12
IEC	UL/CUL	CSA	IEC/ EN 60079-7
400	300	-	-
400	-	-	-
-	-	-	-
24 / 4	20 / -	-	-
4	-	-	-
26 - 12	26-12	-	-
solid	stranded	Ferrule Without / with plastic sleeve	
0.14 - 4	0.14 - 4	0.14 - 2.5	0.14 - 2.5 0.5
0.34 - 4	-	0.34 - 2.5	0.34 - 2.5
10	PA	V0	

Technical data			
Width	Length	Height NS 35/7,5	
5.2	101	50.5	
I_{max} [A]	U_{max} [V]	max. \varnothing [mm ²]	AWG
30 ¹⁾	400	0.14 - 4	26 - 12
IEC	UL/CUL	CSA	IEC/ EN 60079-7
400	300	-	-
400	-	-	-
-	-	-	-
250	-	-	-
24 / 4	20 / -	-	-
4	-	-	-
26 - 12	26-12	-	-
solid	stranded	Ferrule Without / with plastic sleeve	
0.14 - 4	0.14 - 4	0.14 - 2.5	0.14 - 2.5 0.5
0.34 - 4	-	0.34 - 2.5	0.34 - 2.5
10	PA	V0	

Technical data			
Width	Length	Height NS 35/7,5	
5.2	101	50.5	
I_{max} [A]	U_{max} [V]	max. \varnothing [mm ²]	AWG
30	400	0.14 - 4	26 - 12
IEC	UL/CUL	CSA	IEC/ EN 60079-7
400	300	-	-
400	-	-	-
-	-	-	-
24 / 4	20 / -	-	-
4	-	-	-
26 - 12	26-12	-	-
solid	stranded	Ferrule Without / with plastic sleeve	
0.14 - 4	0.14 - 4	0.14 - 2.5	0.14 - 2.5 0.5
0.34 - 4	-	0.34 - 2.5	0.34 - 2.5
10	PA	V0	

Ordering data			
Type	I_{max}	Order No.	Pcs. / Pkt.
PTI 2,5-L/L		3213953	50

Ordering data			
Type	I_{max}	Order No.	Pcs. / Pkt.
PTI 2,5-L/N		3213954	50

Ordering data			
Type	I_{max}	Order No.	Pcs. / Pkt.
PTI 2,5-L		3213951	50
PTI 2,5-N		3213952	50

Accessories			
D-PTI/3		3213975	50
FBS 2-5	24 A	3030161	50
FBS 3-5	24 A	3030174	50
FBS 4-5	24 A	3030187	50
FBS 5-5	24 A	3030190	50
FBS 10-5	24 A	3030213	10
FBS 20-5	24 A	3030226	10
NLS-CU 3/10 SN 1000MM	140 A	0402174	10
AKG 16 BU		0423014	50
AKG 35 BU		0424013	50
MPS-MT		0201744	10
MPS-IH RD		0201676	10
PS-5		3030983	10
AB-PTI/3		3213974	50
ATP-PTI/3		3213990	50
SZF 1-0,6X3,5		1204517	10

Accessories			
D-PTI/3		3213975	50
FBS 2-5	24 A	3030161	50
FBS 3-5	24 A	3030174	50
FBS 4-5	24 A	3030187	50
FBS 5-5	24 A	3030190	50
FBS 10-5	24 A	3030213	10
FBS 20-5	24 A	3030226	10
NLS-CU 3/10 SN 1000MM	140 A	0402174	10
AKG 16 BU		0423014	50
AKG 35 BU		0424013	50
MPS-MT		0201744	10
MPS-IH RD		0201676	10
PS-5		3030983	10
AB-PTI/3		3213974	50
ATP-PTI/3		3213990	50
SZF 1-0,6X3,5		1204517	10

Accessories			
D-PTI/3		3213975	50
FBS 2-5	24 A	3030161	50
FBS 3-5	24 A	3030174	50
FBS 4-5	24 A	3030187	50
FBS 5-5	24 A	3030190	50
FBS 10-5	24 A	3030213	10
FBS 20-5	24 A	3030226	10
NLS-CU 3/10 SN 1000MM	140 A	0402174	10
AKG 16 BU		0423014	50
AKG 35 BU		0424013	50
MPS-MT		0201744	10
MPS-IH RD		0201676	10
PS-5		3030983	10
AB-PTI/3		3213974	50
ATP-PTI/3		3213990	50
SZF 1-0,6X3,5		1204517	10

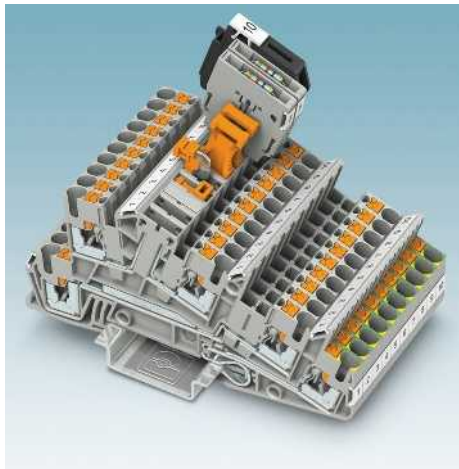
UC-TM 5, UCT-TM 5 or ZB 5
(see Catalog 5)
UC-TMF 5, UCT-TMF 5 or ZBF 5
(see Catalog 5)

UC-TM 5, UCT-TM 5 or ZB 5
(see Catalog 5)
UC-TMF 5, UCT-TMF 5 or ZBF 5
(see Catalog 5)

UC-TM 5, UCT-TM 5 or ZB 5
(see Catalog 5)
UC-TMF 5, UCT-TMF 5 or ZBF 5
(see Catalog 5)

PTI push-in installation terminal blocks

PTI ... three-level installation terminal blocks



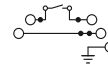
- Knife disconnect terminal block with a current carrying capacity of 16 A
- Seamless and can be double bridged for all tasks in time-saving potential supply and distribution
- Testing facility on both sides of the disconnect point
- Optimum operating convenience with extremely compact design
- Quickly wire load circuits with a pitch of just 5.2 mm
- Double function shafts on all levels
- Every terminal point can be clearly labeled and clearly seen in every terminal block installation position

S-MT switching lock

- The optional switching lock snaps in and effectively prevents accidental switching

Notes:

- 1) 3-pos. termination block.
- 2) Also see page 480.



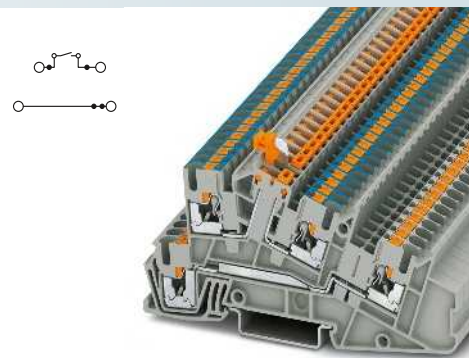
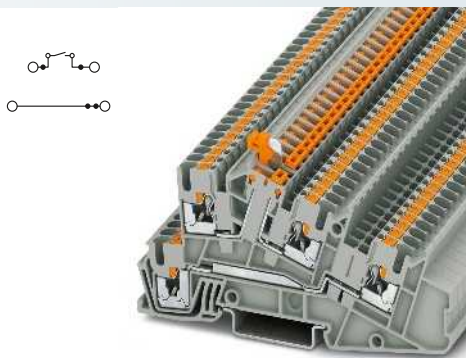
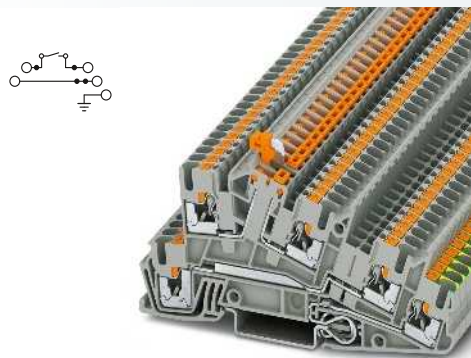
4 (4) mm², 30 A, three-level terminal block, 1 x L phase conductor, 1 x N conductor can be disconnected, 1 x PE



Dimensions		[mm]	
Max. electrical data			
I_{max} [A]	U_{max} [V]	max. Ø [mm ²]	AWG
30 ¹⁾	400	0.14 - 4	26 - 12
Rated data			
Rated voltage	[V]	400	300
Phase conductor / phase conductor	[V]	400	-
Phase conductor / PE	[V]	250	-
Phase conductor / N	[V]	250	-
Nominal current / cross section	[A] / [mm ²]	24 / 4	20 / -
Rated cross section	[mm ²]	4	-
Cross section range	AWG	26 - 12	26-12
Disconnect level rated data			
Nominal current / cross section	[A] / [mm ²]	16 / 1.5	20 / -
Connection capacity			
1 conductor	[mm ²]	0.14 - 4	0.14 - 4
Two stranded conductors with a TWIN ferrule	[mm ²]	-	0.14 - 2.5
Direct plug-in connection cross sections	[mm ²]	0.34 - 4	-
General data			
Stripping length	[mm]	10	
Insulating material		PA	
Inflammability class according to UL 94		V0	

Technical data				
Width	Length	Height NS 35/7,5		
5.2	101	50.5		
I_{max} [A]	U_{max} [V]	max. Ø [mm ²]	AWG	
30 ¹⁾	400	0.14 - 4	26 - 12	
IEC	UL/CUL	CSA	IEC/EN 60079-7	
400	300	-	-	
400	-	-	-	
250	-	-	-	
250	-	-	-	
24 / 4	20 / -	-	-	
4	-	-	-	
26 - 12	26-12	-	-	
IEC	UL/CUL	CSA	IEC/EN 60079-7	
16 / 1.5	20 / -	-	-	
solid	stranded	Ferrule		
		Without / with plastic sleeve		
0.14 - 4	0.14 - 4	0.14 - 2.5	0.14 - 2.5	
			0.5	
0.34 - 4	-	0.34 - 2.5	0.34 - 2.5	
Ordering data				
Type	I_{max}	Order No.	Pcs. / Pkt.	
PTI 2,5-PE/L/NTB		3213955	50	
Accessories				
D-PTI/3B		3213976	50	
ISH 2,5/0,2		3002843	50	
ISH 2,5/0,5		3002856	50	
ISH 2,5/1,0		3002869	50	
FBS 2-5	24 A	3030161	50	
FBS 3-5	24 A	3030174	50	
FBS 4-5	24 A	3030187	50	
FBS 5-5	24 A	3030190	50	
FBS 10-5	24 A	3030213	10	
FBS 20-5	24 A	3030226	10	
S-MT		3247954	50	
MPS-MT		0201744	10	
MPS-IH RD		0201676	10	
PS-5		3030983	10	
SZF 1-0,6X3,5		1204517	10	
Center and lateral groove labeling				
UC-TMF 5, UCT-TMF 5 or ZBF 5 (see Catalog 5)				

Description	No. of pos.	Color
Terminal block, for mounting on NS 35...		gray
Cover, width 2.2 mm		gray
Insulation stop sleeve, cross section range:		
0.08 - 0.2 mm ²		white
0.25 - 0.5 mm ²		gray
0.75 - 1 mm ²		black
Plug-in bridge		
	2	red
	3	red
	4	red
	5	red
	10	red
	20	red
Switching lock, plug-in ²⁾		white
Test plug metal part, 2.3 mm Ø		
Insulating sleeve, for MPS metal part		red
Modular test plug, for the individual assembly of test plug strips		red
Screwdriver		
SZF 1-0,6X3,5		



4 (4) mm², 30 A, three-level terminal block, 1 x L phase conductor, 1 x L phase conductor can be disconnected, 1 x PE

4 (4) mm², 30 A, three-level terminal block, 1 x L phase conductor, 1 x L phase conductor can be disconnected

4 (4) mm², 30 A, three-level terminal block, 1 x L phase conductor, 1 x N conductor can be disconnected



Technical data			
Width	Length	Height NS 35/7,5	
5.2	101	50.5	
I_{max} [A]	U_{max} [V]	max. Ø [mm ²]	AWG
30 ¹⁾	400	0.14 - 4	26 - 12
IEC	UL/CUL	CSA	IEC/EN 60079-7
400	300	-	-
400	-	-	-
250	-	-	-
-	-	-	-
24 / 4	20 / -	-	-
4	-	-	-
26 - 12	26-12	-	-
IEC	UL/CUL	CSA	IEC/EN 60079-7
16 / 1.5	20 / -	-	-
solid	stranded	Ferrule	
		Without / with plastic sleeve	
0.14 - 4	0.14 - 4	0.14 - 2.5	0.14 - 2.5
			0.5
0.34 - 4	-	0.34 - 2.5	0.34 - 2.5
10	PA	V0	

Technical data			
Width	Length	Height NS 35/7,5	
5.2	101	50.5	
I_{max} [A]	U_{max} [V]	max. Ø [mm ²]	AWG
30 ¹⁾	400	0.14 - 4	26 - 12
IEC	UL/CUL	CSA	IEC/EN 60079-7
400	300	-	-
400	-	-	-
-	-	-	-
24 / 4	20 / -	-	-
4	-	-	-
26 - 12	26-12	-	-
IEC	UL/CUL	CSA	IEC/EN 60079-7
16 / 1.5	20 / -	-	-
solid	stranded	Ferrule	
		Without / with plastic sleeve	
0.14 - 4	0.14 - 4	0.14 - 2.5	0.14 - 2.5
			0.5
0.34 - 4	-	0.34 - 2.5	0.34 - 2.5
10	PA	V0	

Technical data			
Width	Length	Height NS 35/7,5	
5.2	101	50.5	
I_{max} [A]	U_{max} [V]	max. Ø [mm ²]	AWG
30 ¹⁾	400	0.14 - 4	26 - 12
IEC	UL/CUL	CSA	IEC/EN 60079-7
400	-	-	-
400	-	-	-
-	-	-	-
24 / 4	- / -	-	-
4	-	-	-
26 - 12	-	-	-
IEC	UL/CUL	CSA	IEC/EN 60079-7
16 / 1.5	- / -	-	-
solid	stranded	Ferrule	
		Without / with plastic sleeve	
0.14 - 4	0.14 - 4	0.14 - 2.5	0.14 - 2.5
			0.5
0.34 - 4	-	0.34 - 2.5	0.34 - 2.5
10	PA	V0	

Ordering data			
Type	I_{max}	Order No.	Pcs. / Pkt.
PTI 2,5-PE/L/LTB		3213957	50

Ordering data			
Type	I_{max}	Order No.	Pcs. / Pkt.
PTI 2,5-L/LTB		3213958	50

Ordering data			
Type	I_{max}	Order No.	Pcs. / Pkt.
PTI 2,5-L/NTB		3213956	50

Accessories			
D-PTI/3B		3213976	50
ISH 2,5/0,2		3002843	50
ISH 2,5/0,5		3002856	50
ISH 2,5/1,0		3002869	50
FBS 2-5	24 A	3030161	50
FBS 3-5	24 A	3030174	50
FBS 4-5	24 A	3030187	50
FBS 5-5	24 A	3030190	50
FBS 10-5	24 A	3030213	10
FBS 20-5	24 A	3030226	10
S-MT		3247954	50
MPS-MT		0201744	10
MPS-IH RD		0201676	10
PS-5		3030983	10
SZF 1-0,6X3,5		1204517	10

Accessories			
D-PTI/3B		3213976	50
ISH 2,5/0,2		3002843	50
ISH 2,5/0,5		3002856	50
ISH 2,5/1,0		3002869	50
FBS 2-5	24 A	3030161	50
FBS 3-5	24 A	3030174	50
FBS 4-5	24 A	3030187	50
FBS 5-5	24 A	3030190	50
FBS 10-5	24 A	3030213	10
FBS 20-5	24 A	3030226	10
S-MT		3247954	50
MPS-MT		0201744	10
MPS-IH RD		0201676	10
PS-5		3030983	10
SZF 1-0,6X3,5		1204517	10

Accessories			
D-PTI/3B		3213976	50
ISH 2,5/0,2		3002843	50
ISH 2,5/0,5		3002856	50
ISH 2,5/1,0		3002869	50
FBS 2-5	24 A	3030161	50
FBS 3-5	24 A	3030174	50
FBS 4-5	24 A	3030187	50
FBS 5-5	24 A	3030190	50
FBS 10-5	24 A	3030213	10
FBS 20-5	24 A	3030226	10
S-MT		3247954	50
MPS-MT		0201744	10
MPS-IH RD		0201676	10
PS-5		3030983	10
SZF 1-0,6X3,5		1204517	10

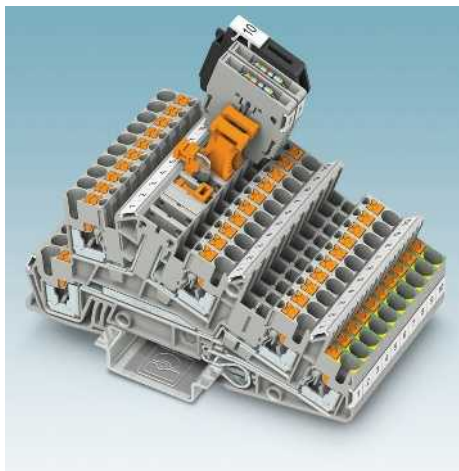
UC-TMF 5, UCT-TMF 5 or ZBF 5 (see Catalog 5)

UC-TMF 5, UCT-TMF 5 or ZBF 5 (see Catalog 5)

UC-TMF 5, UCT-TMF 5 or ZBF 5 (see Catalog 5)

PTI push-in installation terminal blocks

PTI ... three-level installation terminal blocks

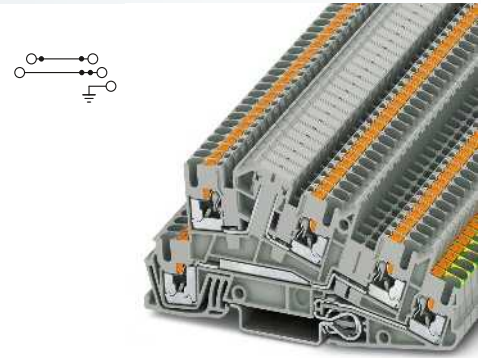


- Disconnect terminal block with universal disconnect zone for accommodating isolating plugs, feed-through connectors, component plugs, and fuse plugs
- Seamless and can be double bridged for all tasks in time-saving potential supply and distribution
- Testing facility on both sides of the disconnect point

P-FU 5X20-5 fuse plug

- When offset, the fuse plug fits on the disconnect terminal blocks with a 5.2 mm pitch
- Appropriate for short-circuit and overload protection

Notes:
For corresponding function plugs, see page 480.
1) Observe max. load current.
2) Observe max. load current, depending on the power dissipation of the components. Max. 0.5 W with single arrangement.
3) For max. power dissipation, see page 724.
4) Current and voltage are determined by the plug used.
5) 3-pos. termination block.



4 (4) mm², 30 A, three-level terminal block, 2 x L phase conductor, 1 x PE



Dimensions		[mm]
Max. electrical data		
Rated data		
Rated voltage	[V]	400
Phase conductor / phase conductor	[V]	400
Phase conductor / PE	[V]	250
Nominal current / cross section	[A] / [mm ²]	24 / 4
Rated cross section	[mm ²]	4
Cross section range	AWG	26 - 12
Disconnect level rated data		
Nominal current / cross section	[A] / [mm ²]	16 / 1.5
Connection capacity		
1 conductor	[mm ²]	0.14 - 4
Two stranded conductors with a TWIN ferrule	[mm ²]	0.14 - 4
Direct plug-in connection cross sections	[mm ²]	0.34 - 4
General data		
Stripping length	[mm]	10
Insulating material		PA
Inflammability class according to UL 94		V0

Technical data				
Width	Length	Height NS 35/7,5		
5.2	101	50.5		
I _{max} [A]	U _{max} [V]	max. Ø [mm ²]	AWG	
30 ⁵	400	0.14 - 4	26 - 12	
IEC	UL/CUL	CSA	IEC/EN 60079-7	
400	300	-	-	
400	-	-	-	
250	-	-	-	
24 / 4	20 / -	-	-	
4	-	-	-	
26 - 12	26-12	-	-	
IEC	UL/CUL	CSA	IEC/EN 60079-7	
16 / 1.5	20 / -	-	-	
solid	stranded		Ferrule	
			Without / with plastic sleeve	
0.14 - 4	0.14 - 4	0.14 - 2.5	0.14 - 2.5	
			0.5	
0.34 - 4	-	0.34 - 2.5	0.34 - 2.5	
10				
PA				
V0				

Description	No. of pos.	Color
Terminal block, for mounting on NS 35...		gray

Cover, width 2.2 mm		gray
Insulation stop sleeve, cross section range:		
0.08 - 0.2 mm ²		white
0.25 - 0.5 mm ²		gray
0.75 - 1 mm ²		black
Plug-in bridge		
	2	red
	3	red
	4	red
	5	red
	10	red
	20	red

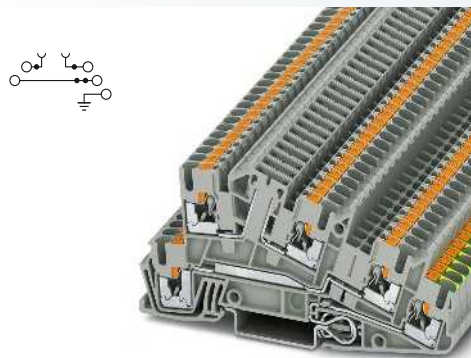
Test plug metal part, 2.3 mm Ø		
Insulating sleeve, for MPS metal part		red
Modular test plug, for the individual assembly of test plug strips		red
Isolating plug ¹⁾		orange
Feed-through connector ¹⁾		gray
Component plug, labeled with ZBF 5 or UC-TMF 5 ²⁾		gray
Fuse plug, width 6.2 mm ³⁾		black
Screwdriver		

Center and lateral groove labeling		
------------------------------------	--	--

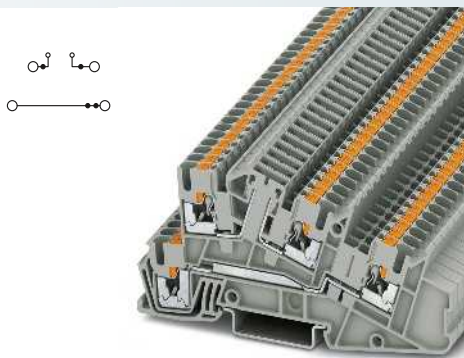
Ordering data			
Type	I _{max}	Order No.	Pcs. / Pkt.
PTI 2,5-PE/L/LB		3213959	50

Accessories			
D-PTI/3B		3213976	50
ISH 2,5/0,2		3002843	50
ISH 2,5/0,5		3002856	50
ISH 2,5/1,0		3002869	50
FBS 2-5	24 A	3030161	50
FBS 3-5	24 A	3030174	50
FBS 4-5	24 A	3030187	50
FBS 5-5	24 A	3030190	50
FBS 10-5	24 A	3030213	10
FBS 20-5	24 A	3030226	10
MPS-MT		0201744	10
MPS-IH RD		0201676	10
PS-5		3030983	10
SZF 1-0,6X3,5		1204517	10

UC-TMF 5, UCT-TMF 5 or ZBF 5 (see Catalog 5)			
--	--	--	--



4 (4) mm², 30 A, three-level terminal block,
1 x L phase conductor, 1 x PE, 1 x disconnect
zone



4 (4) mm², 30 A, three-level terminal block,
1 x L phase conductor, 1 x disconnect zone



Technical data			
Width	Length	Height NS 35/7,5	
5.2	101	50.5	
I_{max} [A]	U_{max} [V]	max. Ø [mm ²]	AWG
30 ⁵⁾	400	0.14 - 4	26 - 12
IEC	UL/CUL	CSA	IEC/ EN 60079-7
400	300	-	-
400	-	-	-
250	-	-	-
24 / 4	20 / -	-	-
4	-	-	-
26 - 12	26-12	-	-
IEC	UL/CUL	CSA	IEC/ EN 60079-7
16 / 1.5	20 / -	-	-
solid	stranded	Ferrule Without / with plastic sleeve	
0.14 - 4	0.14 - 4	0.14 - 2.5	0.14 - 2.5 0.5
0.34 - 4	-	0.34 - 2.5	0.34 - 2.5
10			
PA			
V0			

Technical data			
Width	Length	Height NS 35/7,5	
5.2	101	50.5	
I_{max} [A]	U_{max} [V]	max. Ø [mm ²]	AWG
30 ⁵⁾	400 ⁴⁾	0.14 - 4	26 - 12
IEC	UL/CUL	CSA	IEC/ EN 60079-7
400 ⁴⁾	300	-	-
400 ⁴⁾	-	-	-
-	-	-	-
24 / 4	20 / -	-	-
4	-	-	-
26 - 12	26-12	-	-
IEC	UL/CUL	CSA	IEC/ EN 60079-7
16 / 1.5	20 / -	-	-
solid	stranded	Ferrule Without / with plastic sleeve	
0.14 - 4	0.14 - 4	0.14 - 2.5	0.14 - 2.5 0.5
0.34 - 4	-	0.34 - 2.5	0.34 - 2.5
10			
PA			
V0			

Ordering data			
Type	I_{max}	Order No.	Pcs. / Pkt.
PTI 2,5-PE/L/TG		3213960	50

Ordering data			
Type	I_{max}	Order No.	Pcs. / Pkt.
PTI 2,5-L/TG		3213961	50

Accessories			
D-PTI/3B		3213976	50
ISH 2,5/0,2		3002843	50
ISH 2,5/0,5		3002856	50
ISH 2,5/1,0		3002869	50
FBS 2-5	24 A	3030161	50
FBS 3-5	24 A	3030174	50
FBS 4-5	24 A	3030187	50
FBS 5-5	24 A	3030190	50
FBS 10-5	24 A	3030213	10
FBS 20-5	24 A	3030226	10
MPS-MT		0201744	10
MPS-IH RD		0201676	10
PS-5		3030983	10
P-DI		3036783	50
P-FIX		3038956	50
P-CO		3036796	10
P-FU 5X20		3036806	10
SZF 1-0,6X3,5		1204517	10

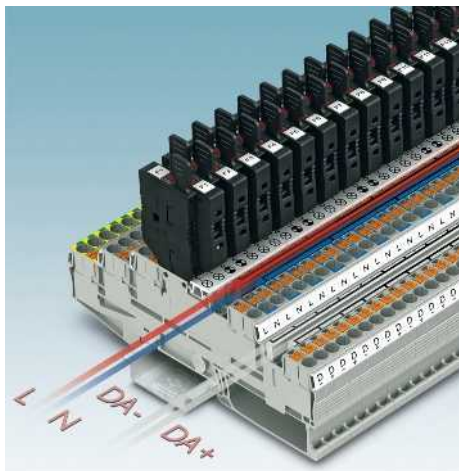
Accessories			
D-PTI/3B		3213976	50
ISH 2,5/0,2		3002843	50
ISH 2,5/0,5		3002856	50
ISH 2,5/1,0		3002869	50
FBS 2-5	24 A	3030161	50
FBS 3-5	24 A	3030174	50
FBS 4-5	24 A	3030187	50
FBS 5-5	24 A	3030190	50
FBS 10-5	24 A	3030213	10
FBS 20-5	24 A	3030226	10
MPS-MT		0201744	10
MPS-IH RD		0201676	10
PS-5		3030983	10
P-DI		3036783	50
P-FIX		3038956	50
P-CO		3036796	10
P-FU 5X20		3036806	10
SZF 1-0,6X3,5		1204517	10

UC-TMF 5, UCT-TMF 5 or ZBF 5
(see Catalog 5)

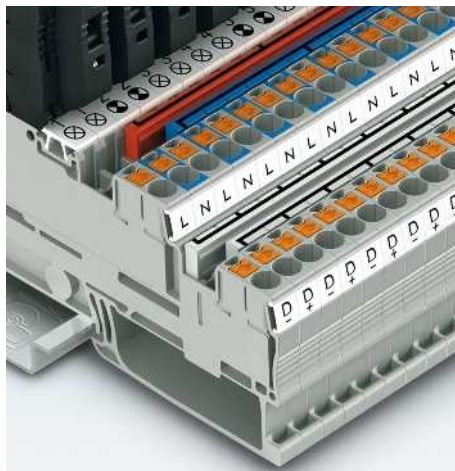
UC-TMF 5, UCT-TMF 5 or ZBF 5
(see Catalog 5)

PTI push-in installation terminal blocks

PTB ... three-level installation terminal blocks with disconnect zone



- The three-level installation terminal blocks have been specially developed for the building installation sector
- DALI-controlled emergency lighting systems can be conveniently fused and wired when space is at a premium



- Two function shafts are available on each level on the inside of the control cabinet
- Quick and easy potential distribution, e.g., from the DALI bus system



- The disconnect zone of the three-level terminal blocks is specially designed for use in standard distribution boards



- The P-FU ...-5 fuse plug can be inserted into the universal disconnect zone of the narrow 5.2 mm three-level terminal blocks with a nested arrangement
- Space-saving overload and short-circuit protection of the individual positive and negative potentials of emergency lighting systems, for example

Notes:

- For current carrying capacity of DIN rails, see page 716.
- For further plug-in bridges, see page 472.
- ¹⁾ If the fuse is faulty, the downstream circuit is not off load.
- ²⁾ Observe max. load current.
- ³⁾ Observe max. load current, depending on the power dissipation of the components. Max. 0.5 W with single arrangement.
- ⁴⁾ For max. power dissipation, see page 724.
- ⁵⁾ Current and voltage are determined by the plug used.
- ⁶⁾ 3-pos. termination block.

Dimensions

[mm]

Max. electrical data

Rated data

Rated voltage	[V]
Phase conductor / phase conductor	[V]
Phase conductor / PE	[V]
Phase conductor / N	[V]
Nominal current / cross section	[A] / [mm ²]
Rated cross section	[mm ²]
Cross section range	AWG

Disconnect level rated data

Nominal current / cross section	[A] / [mm ²]
---------------------------------	--------------------------

Connection capacity

1 conductor	[mm ²]
Two stranded conductors with a TWIN ferrule	[mm ²]
Direct plug-in connection cross sections	[mm ²]

General data

Stripping length	[mm]
Insulating material	
Inflammability class according to UL 94	

Description	No. of pos.	Color
Three-level terminal block with disconnect level , for mounting on NS 35...		gray
Fuse plug , width 5.2 mm ¹⁾		black
With LED for 12-30 V DC, 0.35-0.95 mA		black
For 30-60 V AC/DC, 0.36-0.95 mA		black
For 110-250 V AC/DC, 0.4-0.95 mA		black

Cover , width 2.2 mm	gray
-----------------------------	------

Insulation stop sleeve , cross section range:	
0.08 - 0.2 mm ²	white
0.25 - 0.5 mm ²	gray
0.75 - 1 mm ²	black

Plug-in bridge		
	2	red
	3	red
	10	red

Test adapter , 4-mm test socket hole	gray
---	------

Test plug metal part , 2.3 mm Ø	
--	--

Insulating sleeve , for MPS metal part	red
---	-----

Modular test plug , for the individual assembly of test plug strips	red
--	-----

Isolating plug ²⁾	orange
-------------------------------------	--------

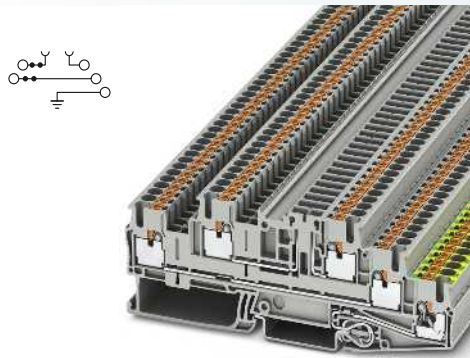
Feed-through connector ²⁾	gray
---	------

Component plug , labeled with ZBF 5 or UC-TMF 5 ³⁾	gray
--	------

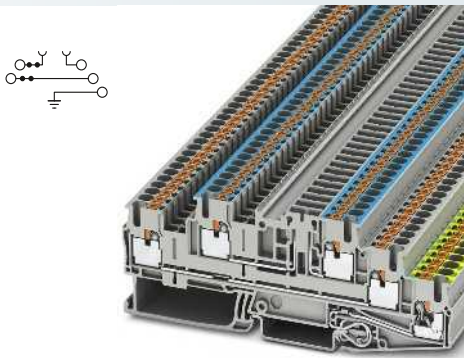
Screwdriver

Center groove labeling

Center and lateral groove labeling



4 (4) mm², 30 A, three-level terminal block, with disconnect zone



4 (4) mm², 30 A, three-level terminal block, with disconnect zone



5.2 mm fuse plug, for 5 x 20 mm cartridge fuses



Technical data			
Width	Length	Height NS 35/7,5	
5.2	118	42.3	
I_{max} [A]	U_{max} [V]	max. Ø [mm ²]	AWG
30 ³⁾	400 ⁵⁾	0.14 - 4	26 - 12
IEC	UL/CUL	CSA	IEC/EN 60079-7
400 ⁵⁾	-	-	-
400 ⁵⁾	-	-	-
250	-	-	-
-	-	-	-
24 / 4	- / -	-	-
4	-	-	-
26 - 12	-	-	-
IEC	UL/CUL	CSA	IEC/EN 60079-7
16 / 1.5	- / -	-	-
solid	stranded	Ferrule Without / with plastic sleeve	
0.14 - 4	0.14 - 4	0.14 - 2.5	0.14 - 2.5 0.5
0.34 - 4	-	0.34 - 2.5	0.34 - 2.5
10			
PA			
V0			

Technical data			
Width	Length	Height NS 35/7,5	
5.2	118	42.3	
I_{max} [A]	U_{max} [V]	max. Ø [mm ²]	AWG
30 ³⁾	400 ⁵⁾	0.14 - 4	26 - 12
IEC	UL/CUL	CSA	IEC/EN 60079-7
400 ⁵⁾	-	-	-
400 ⁵⁾	-	-	-
250	-	-	-
250	-	-	-
24 / 4	- / -	-	-
4	-	-	-
26 - 12	-	-	-
IEC	UL/CUL	CSA	IEC/EN 60079-7
16 / 1.5	- / -	-	-
solid	stranded	Ferrule Without / with plastic sleeve	
0.14 - 4	0.14 - 4	0.14 - 2.5	0.14 - 2.5 0.5
0.34 - 4	-	0.34 - 2.5	0.34 - 2.5
10			
PA			
V0			

Technical data			
Width	Length	Height NS 35/7,5	
5.2	23.5	-	
I_{max} [A]	U_{max} [V]	max. Ø [mm ²]	AWG
6.3 ⁴⁾	400 ⁵⁾	-	-
IEC	UL/CUL	CSA	IEC/EN 60079-7
400 ⁵⁾	300	300	-
400 ⁵⁾	-	-	-
-	-	-	-
-	-	-	-
6.3	10 / -	10 / -	-
-	-	-	-
-	-	-	-
IEC	UL/CUL	CSA	IEC/EN 60079-7
-	-	-	-
solid	stranded	Ferrule Without / with plastic sleeve	
-	-	-	-
-	-	-	-
10			
PA			
V0			

Ordering data			
Type	I_{max}	Order No.	Pcs. / Pkt.
PTB 2,5-PE/LTG		3210539	50

Ordering data			
Type	I_{max}	Order No.	Pcs. / Pkt.
PTB 2,5-PE/LNTG		3210545	50

Ordering data		
Type	Order No.	Pcs. / Pkt.
P-FU 5X20-5	3209235	10
P-FU 5X20 LED 24-5	3209248	10
P-FU 5X20 LED 60-5	3209251	10
P-FU 5X20 LED 250-5	3209264	10

Accessories			
D-PTB 2,5/3		3210552	50
ISH 2,5/0,2		3002843	50
ISH 2,5/0,5		3002856	50
ISH 2,5/1,0		3002869	50
FBS 2-5	24 A	3030161	50
FBS 3-5	24 A	3030174	50
FBS 10-5	24 A	3030213	10
PAI-4-N GY		3032871	10
MPS-MT		0201744	10
MPS-IH RD		0201676	10
PS-5		3030983	10
P-DI		3036783	50
P-FIX		3038956	50
P-CO		3036796	10
SZF 1-0,6X3,5		1204517	10

Accessories			
D-PTB 2,5/3		3210552	50
ISH 2,5/0,2		3002843	50
ISH 2,5/0,5		3002856	50
ISH 2,5/1,0		3002869	50
FBS 2-5	24 A	3030161	50
FBS 3-5	24 A	3030174	50
FBS 10-5	24 A	3030213	10
PAI-4-N GY		3032871	10
MPS-MT		0201744	10
MPS-IH RD		0201676	10
PS-5		3030983	10
P-DI		3036783	50
P-FIX		3038956	50
P-CO		3036796	10
SZF 1-0,6X3,5		1204517	10

Accessories		

UC-TM 5, UCT-TM 5 or ZB 5
(see Catalog 5)
UC-TMF 5, UCT-TMF 5 or ZBF 5
(see Catalog 5)

UC-TM 5, UCT-TM 5 or ZB 5
(see Catalog 5)
UC-TMF 5, UCT-TMF 5 or ZBF 5
(see Catalog 5)

UC-TMF 5, UCT-TMF 5 or ZBF 5
(see Catalog 5)

PTI push-in installation terminal blocks

PTB ...-MT three-level installation terminal blocks with knife disconnect zone

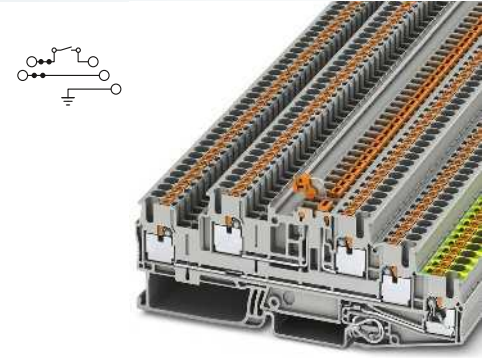
- Knife disconnect zone in upper level
- Same shape as the three-level installation terminal blocks with universal disconnect zone
- Testing facility on both sides of the disconnect point
- Optimum operating convenience with extremely compact design
- Quickly wire load circuits with a pitch of just 5.2 mm
- Double function shafts on all levels
- Each terminal point can be clearly labeled

S-MT switching lock

- The optional switching lock snaps in and effectively prevents accidental switching

CLIP PROJECT Planning enables the quick and convenient planning and configuration of fault-free terminal strips.

Notes:
For current carrying capacity of DIN rails, see page 716.
1) 3-pos. termination block.
2) Also see page 480.



4 (4) mm², 30 A, three-level terminal block, with knife disconnect zone

Dimensions		[mm]
Max. electrical data		
Rated data		
Rated voltage	[V]	400
Phase conductor / phase conductor	[V]	400
Phase conductor / PE	[V]	250
Nominal current / cross section	[A] / [mm ²]	24 / 4
Rated cross section	[mm ²]	4
Cross section range	AWG	26 - 12
Disconnect level rated data		
Nominal current / cross section	[A] / [mm ²]	16 / 1.5
Connection capacity		
1 conductor	[mm ²]	0.14 - 4
Two stranded conductors with a TWIN ferrule	[mm ²]	0.14 - 4
Direct plug-in connection cross sections	[mm ²]	0.34 - 4
General data		
Stripping length	[mm]	10
Insulating material		PA
Inflammability class according to UL 94		V0

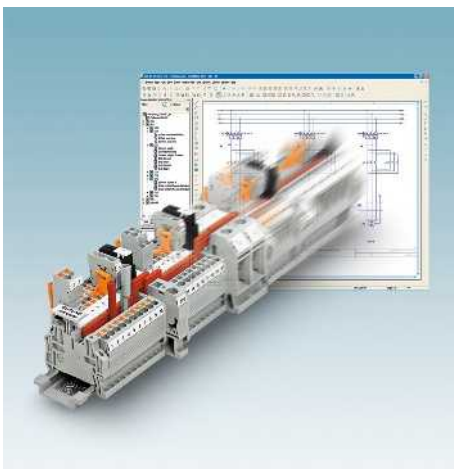
Technical data				
Width	Length	Height NS 35/7,5		
5.2	118	42.3		
I _{max} [A]	U _{max} [V]	max. Ø [mm ²]	AWG	
30 ¹⁾	400	0.14 - 4	26 - 12	
IEC	UL/CUL	CSA	IEC/EN 60079-7	
400	-	-	-	
400	-	-	-	
250	-	-	-	
24 / 4	- / -	-	-	
4	-	-	-	
26 - 12	-	-	-	
IEC	UL/CUL	CSA	IEC/EN 60079-7	
16 / 1.5	- / -	-	-	
Connection capacity			Ferrule	
solid	stranded		Without / with plastic sleeve	
0.14 - 4	0.14 - 4	0.14 - 2.5	0.14 - 2.5	
			0.5	
0.34 - 4	-	0.34 - 2.5	0.34 - 2.5	
General data				
Stripping length	[mm]	10		
Insulating material		PA		
Inflammability class according to UL 94		V0		

Description	No. of pos.	Color
Three-level terminal block with disconnect level, for mounting on NS 35...		gray
Three-level terminal block, for mounting on NS 35...		gray

Ordering data			
Type	I _{max}	Order No.	Pcs. / Pkt.
PTB 2,5-PE/L/MT		3210549	50

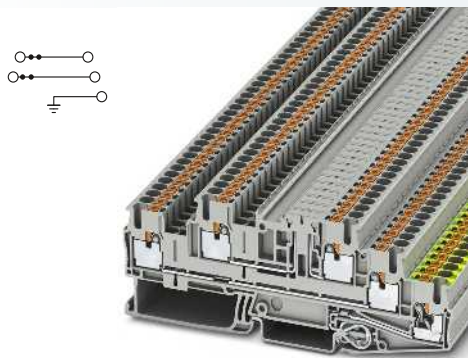
Cover, width 2.2 mm		gray
Insulation stop sleeve, cross section range:		
0.08 - 0.2 mm ²		white
0.25 - 0.5 mm ²		gray
0.75 - 1 mm ²		black
Plug-in bridge		
	2	red
	3	red
	4	red
	5	red
	10	red
	20	red
Test adapter, 4-mm test socket hole		gray
Test plug metal part, 2.3 mm Ø		
Insulating sleeve, for MPS metal part		red
Modular test plug, for the individual assembly of test plug strips		red

Accessories			
D-PTB 2,5/3		3210552	50
ISH 2,5/0,2		3002843	50
ISH 2,5/0,5		3002856	50
ISH 2,5/1,0		3002869	50
FBS 2-5	24 A	3030161	50
FBS 3-5	24 A	3030174	50
FBS 4-5	24 A	3030187	50
FBS 5-5	24 A	3030190	50
FBS 10-5	24 A	3030213	10
FBS 20-5	24 A	3030226	10
PAI-4-N GY		3032871	10
MPS-MT		0201744	10
MPS-IH RD		0201676	10
PS-5		3030983	10
S-MT		3247954	50
SZF 1-0,6X3,5		1204517	10



Switching lock, plug-in ²⁾	white
Screwdriver	
Center groove labeling	
Center and lateral groove labeling	

UC-TM 5, UCT-TM 5 or ZB 5 (see Catalog 5)
UC-TMF 5, UCT-TMF 5 or ZBF 5 (see Catalog 5)


 4 (4) mm², 30 A, three-level terminal block

Technical data

Width	Length	Height NS 35/7,5	
5.2	118	42.3	
I_{max} [A]	U_{max} [V]	max. Ø [mm ²]	AWG
30	400	0.14 - 4	26 - 12
IEC	UL/CUL	CSA	IEC/ EN 60079-7
400	-	-	-
400	-	-	-
250	-	-	-
24 / 4	- / -	-	-
4	-	-	-
26 - 12	-	-	-
IEC	UL/CUL	CSA	IEC/ EN 60079-7
-	- / -	-	-
solid	stranded	Ferrule	
		Without / with plastic sleeve	
0.14 - 4	0.14 - 4	0.14 - 2.5	0.14 - 2.5
			0.5
0.34 - 4	-	0.34 - 2.5	0.34 - 2.5
10			
PA			
V0			

Ordering data

Type	I_{max}	Order No.	Pcs. / Pkt.
PTB 2,5-PE/L/L		3210547	50

Accessories

D-PTB 2,5-PE/L/L		3210553	50
ISH 2,5/0,2		3002843	50
ISH 2,5/0,5		3002856	50
ISH 2,5/1,0		3002869	50
FBS 2-5	24 A	3030161	50
FBS 3-5	24 A	3030174	50
FBS 4-5	24 A	3030187	50
FBS 5-5	24 A	3030190	50
FBS 10-5	24 A	3030213	10
FBS 20-5	24 A	3030226	10
PAI-4-N GY		3032871	10
MPS-MT		0201744	10
MPS-IH RD		0201676	10
PS-5		3030983	10
SZF 1-0,6X3,5		1204517	10

UC-TM 5, UCT-TM 5 or ZB 5
(see Catalog 5)
UC-TMF 5, UCT-TMF 5 or ZBF 5
(see Catalog 5)

PTI push-in installation terminal blocks

PTU ... hybrid terminal block bases for distribution of potential with single-sided screw connection



The terminal block bases are ideal for use in building installation and mechanical engineering applications, thanks to the following features:

- Quick and easy potential distribution with 14 push-in terminal points
- Compact design
- 25 mm² screw connection
- Large labeling option

The branch terminals from the UDB ... series are suitable for the simple voltage pick-off of main supply cables up to 35 mm², see page 98.



Notes:

1) The total current of all connected conductors must not exceed the max. load current.

1 ... 12
○-○-○-○-○-○-○-○-○-○-○-○-○-○-○-○



16 (25) mm², 80 A, terminal block base, 15 connections

Dimensions		[mm]	
Max. electrical data			
Rated data, external screw connection			
Rated voltage	[V]	690	
Nominal current / cross section	[A] / [mm ²]	76 ¹⁾ / 16	
Rated cross section	[mm ²]	16	
Cross section range	AWG	16 - 4	
Connection capacity of screw connection			
1 conductor	[mm ²]	1.5 - 25	
Two conductors (of the same type)	[mm ²]	1.5 - 10	
Two stranded conductors with a TWIN ferrule	[mm ²]	1.5 - 6	
Rated data, 2 internal push-in connections			
Rated voltage	[V]	690	
Nominal current / cross section	[A] / [mm ²]	20 ¹⁾ / 2.5	
Cross section range	AWG	14 - 12	
Connection capacity, 2 internal push-in connections			
1 conductor	[mm ²]	1.5 - 4	
Two conductors with a TWIN ferrule	[mm ²]	1.5 - 4	
Direct plug-in connection cross sections	[mm ²]	1	
Rated data, 12 external Push-in connections			
Rated voltage	[V]	690	
Nominal current / cross section	[A] / [mm ²]	16 ¹⁾ / 1.5	
Cross section range	AWG	12 - 14	
Connection capacity, 12 external Push-in connections			
1 conductor	[mm ²]	1 - 2.5	
Two conductors with a TWIN ferrule	[mm ²]	1 - 2.5	
Direct plug-in connection cross sections	[mm ²]	1.5	
General data			
Stripping length, screw connection	[mm]	12	
Stripping length, push-in connection	[mm]	12	
Screw thread		M5	
Tightening torque	[Nm]	2 - 3	
Insulating material		PA	
Inflammability class according to UL 94		V0	

Technical data				
Width	Length	Height NS 35/7,5		
17.5	89.5	36		
I _{max} [A]	U _{max} [V]	max. Ø [mm ²]	AWG	
80 ¹⁾	690	1.5 - 25	16 - 4	
IEC 60998-1				
IEC	UL/CUL	CSA	IEC/EN 60079-7	
Rated data, external screw connection				
Rated voltage	[V]	690	-	-
Nominal current / cross section	[A] / [mm ²]	76 ¹⁾ / 16	-	-
Rated cross section	[mm ²]	16	-	-
Cross section range	AWG	16 - 4	-	-
Connection capacity of screw connection				
solid	stranded	Ferrule		
Without / with plastic sleeve				
1.5 - 25	2.5 - 16	1.5 - 16	1.5 - 16	
1.5 - 10	1.5 - 6	1.5 - 6	-	
1.5 - 6				
IEC 60998-2-2				
IEC	UL/CUL	CSA	IEC/EN 60079-7	
Rated data, 2 internal push-in connections				
Rated voltage	[V]	690	-	-
Nominal current / cross section	[A] / [mm ²]	20 ¹⁾ / 2.5	-	-
Cross section range	AWG	14 - 12	-	-
Connection capacity, 2 internal push-in connections				
solid	stranded	Ferrule		
Without / with plastic sleeve				
1.5 - 4	-	1 - 2.5	1 - 2.5	
1.5 - 4	-	1	0.5 - 1.5	
1				
IEC 60998-2-2				
IEC	UL/CUL	CSA	IEC/EN 60079-7	
Rated data, 12 external Push-in connections				
Rated voltage	[V]	690	-	-
Nominal current / cross section	[A] / [mm ²]	16 ¹⁾ / 1.5	-	-
Cross section range	AWG	12 - 14	-	-
Connection capacity, 12 external Push-in connections				
solid	stranded	Ferrule		
Without / with plastic sleeve				
1 - 2.5	-	0.75 - 1.5	0.75 - 1.5	
1 - 2.5	-	1.5	0.25 - 0.75	
1.5				

Description	Color
Terminal block , for mounting on NS 35...	gray blue green

Three-compartment marker carrier , can be snapped into ST 2,5-3... and PT 2,5-3... three-level terminal blocks, can be labeled with UC-TMF 5 and ZBF 5 or ...TM 5 and ZB 5	gray
---	------

Ordering data		
Type	Order No.	Pcs. / Pkt.
PTU 16/14X2,5 GY	3214016	10

Accessories		
Type	Order No.	Pcs. / Pkt.
STP 5-3	0810562	100

1 ... 12



16 (25) mm², 80 A, terminal block base,
15 connections

1 ... 12



16 (25) mm², 80 A, terminal block base,
15 connections

Technical data			
Width	Length	Height NS 35/7,5	
17.5	89.5	36	
I_{max} [A]	U_{max} [V]	max. Ø [mm ²]	AWG
80 ¹⁾	690	1.5 - 25	16 - 4
IEC 60998-1			
IEC	UL/CUL	CSA	IEC/ EN 60079-7
690	-	-	-
76 ¹⁾ / 16	-	-	-
16	-	-	-
16 - 4	-	-	-
solid	stranded	Ferrule Without / with plastic sleeve	
1.5 - 25	2.5 - 16	1.5 - 16	1.5 - 16
1.5 - 10	1.5 - 6	1.5 - 6	-
			1.5 - 6
IEC 60998-2-2			
IEC	UL/CUL	CSA	IEC/ EN 60079-7
690	-	-	-
20 ¹⁾ / 2.5	-	-	-
14 - 12	-	-	-
solid	stranded	Ferrule Without / with plastic sleeve	
1.5 - 4	-	1 - 2.5	1 - 2.5
			0.5 - 1.5
1.5 - 4	-	1	1
IEC 60998-2-2			
IEC	UL/CUL	CSA	IEC/ EN 60079-7
690	-	-	-
16 ¹⁾ / 1.5	-	-	-
12 - 14	-	-	-
solid	stranded	Ferrule Without / with plastic sleeve	
1 - 2.5	-	0.75 - 1.5	0.75 - 1.5
			0.25 - 0.75
1 - 2.5	-	1.5	1.5
12			
12			
M5			
2 - 3			
PA			
V0			

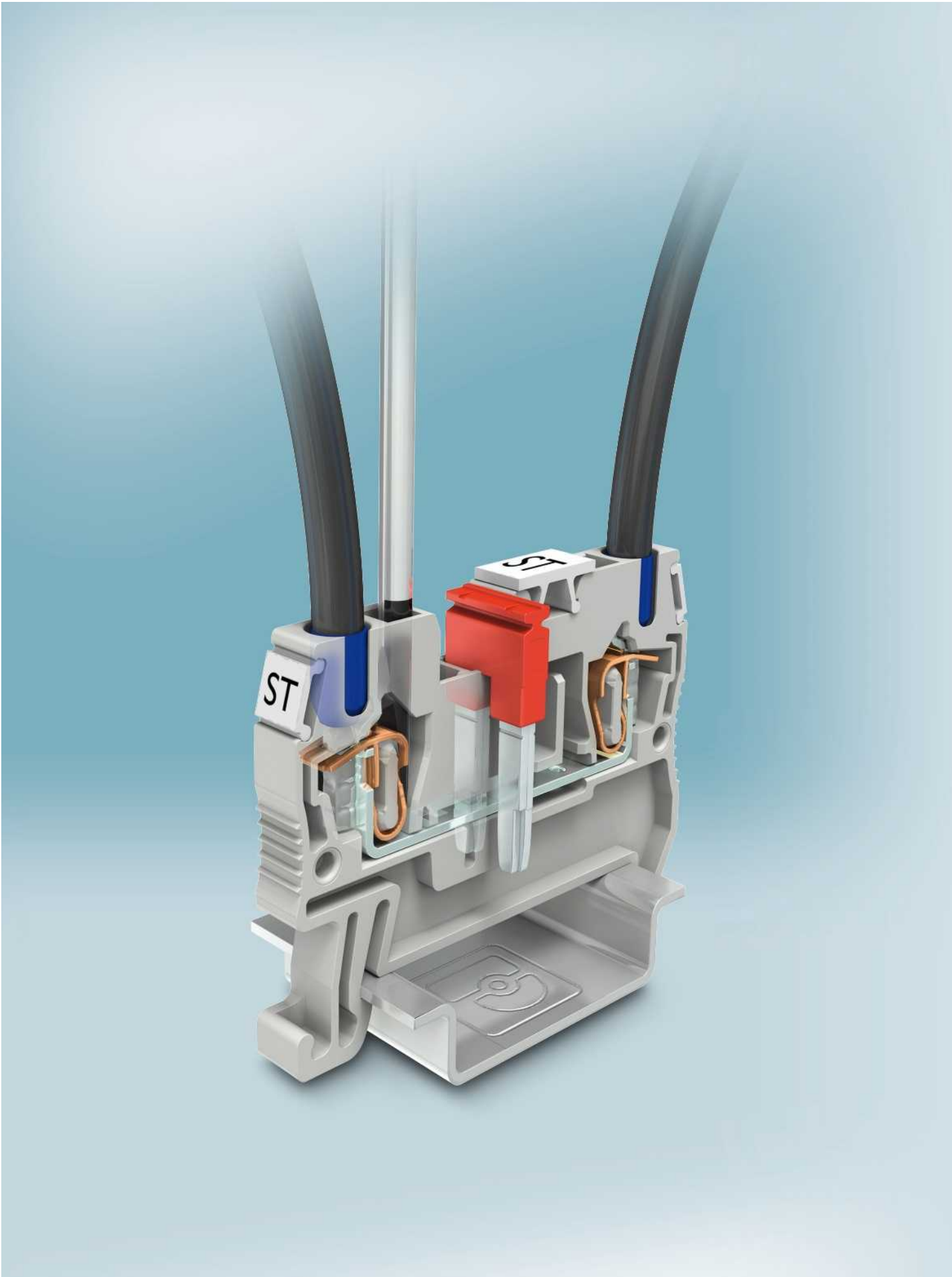
Technical data			
Width	Length	Height NS 35/7,5	
17.5	89.5	36	
I_{max} [A]	U_{max} [V]	max. Ø [mm ²]	AWG
80 ¹⁾	690	1.5 - 25	16 - 4
IEC 60998-1			
IEC	UL/CUL	CSA	IEC/ EN 60079-7
690	-	-	-
76 ¹⁾ / 16	-	-	-
16	-	-	-
16 - 4	-	-	-
solid	stranded	Ferrule Without / with plastic sleeve	
1.5 - 25	2.5 - 16	1.5 - 16	1.5 - 16
1.5 - 10	1.5 - 6	1.5 - 6	-
			1.5 - 6
IEC 60998-2-2			
IEC	UL/CUL	CSA	IEC/ EN 60079-7
690	-	-	-
20 ¹⁾ / 2.5	-	-	-
14 - 12	-	-	-
solid	stranded	Ferrule Without / with plastic sleeve	
1.5 - 4	-	1 - 2.5	1 - 2.5
			0.5 - 1.5
1.5 - 4	-	1	1
IEC 60998-2-2			
IEC	UL/CUL	CSA	IEC/ EN 60079-7
690	-	-	-
16 ¹⁾ / 1.5	-	-	-
12 - 14	-	-	-
solid	stranded	Ferrule Without / with plastic sleeve	
1 - 2.5	-	0.75 - 1.5	0.75 - 1.5
			0.25 - 0.75
1 - 2.5	-	1.5	1.5
12			
12			
M5			
2 - 3			
PA			
V0			

Ordering data		
Type	Order No.	Pcs. / Pkt.
PTU 16/14X2,5 BU	3214014	10

Ordering data		
Type	Order No.	Pcs. / Pkt.
PTU 16/14X2,5 GN	3214015	10

Accessories		
STP 5-3	Order No.	Pcs. / Pkt.
	0810562	100

Accessories		
STP 5-3	Order No.	Pcs. / Pkt.
	0810562	100



ST spring-cage connection terminal blocks

The ST spring-cage connection terminal blocks from the CLIPLINE complete system have been developed for universal spring-loaded conductor contacting. The high contact force guarantees a vibration-proof, gas-tight connection with long-term stability.

The compact front connection ensures easy operation. The terminal point is opened using a standard screwdriver. After the conductor has been inserted into the clamping space, the screwdriver is removed and the conductor automatically makes contact.

All kinds of copper conductors up to 35 mm² can be clamped without any pre-treatment.

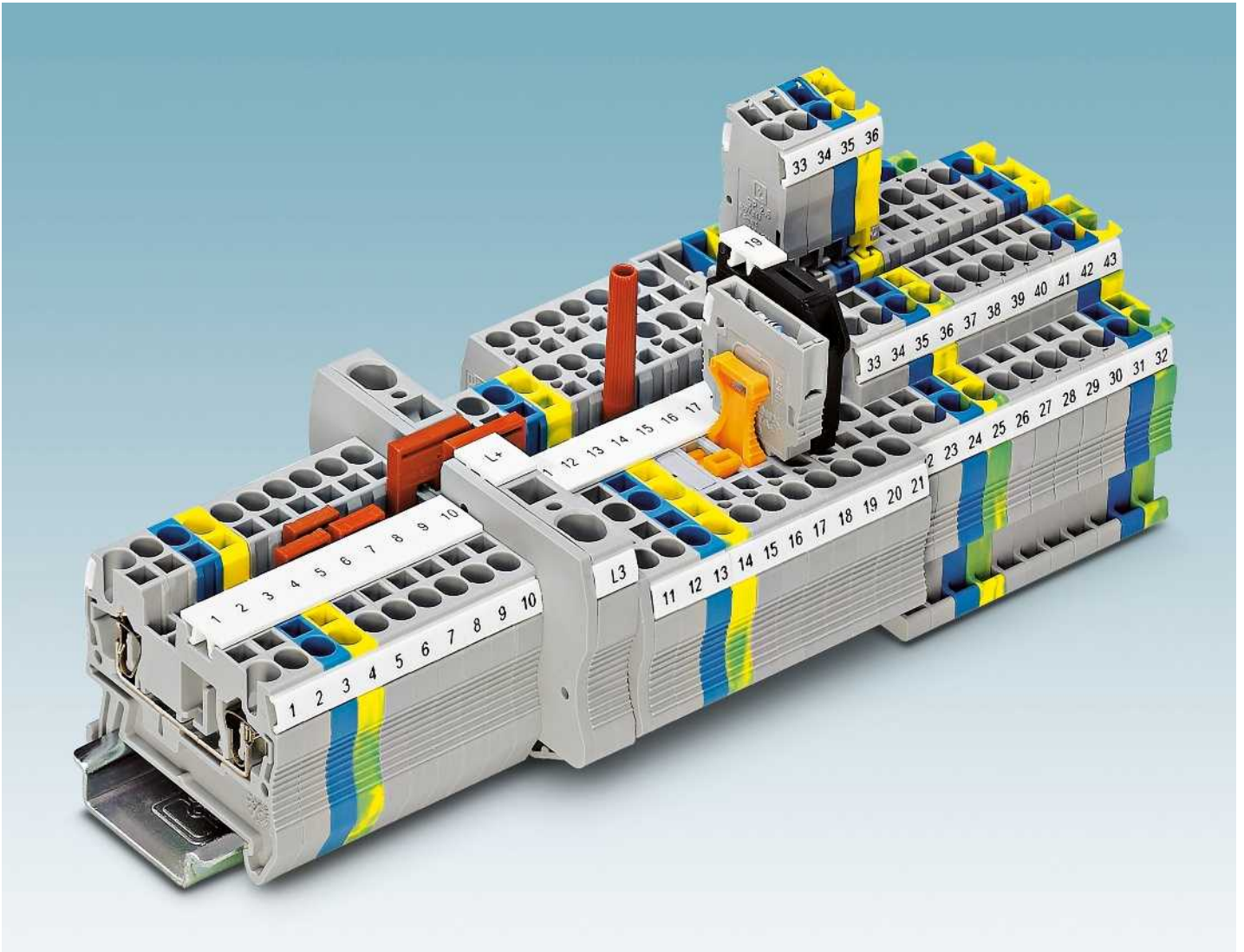
Spring-cage connection terminal blocks offer a large insertion space, which means that conductors with a nominal cross section can be wired both with and without ferrules.

Product range overview

ST spring-cage connection terminal blocks	202
Feed-through terminal blocks	204
Ground terminal blocks	208
Feed-through terminal blocks with 3 connections	212
Ground terminal blocks with 3 connections	216
Feed-through terminal blocks with 4 connections	220
Ground terminal blocks with 4 connections	224
Double-level terminal blocks	226
Double-level ground terminal blocks	228
Three-level terminal blocks	232
Four-level terminal blocks	235
Three-conductor initiator/actuator terminal blocks	236
Four-conductor initiator/actuator terminal blocks	238
Potential distributors and marshalling distributors	240
Lever-type fuse and disconnect terminal blocks	243
Fuse terminal blocks	244
Disconnect terminal blocks	246
Knife disconnect terminal blocks	248
Double-level knife disconnect terminal blocks	250
Test disconnect terminal blocks	253
Disconnect and diode terminal blocks for photovoltaics	254
Diode and LED double-level terminal blocks	258
Hybrid terminal blocks	262
Desk-design feed-through terminal blocks	268
Desk-design ground terminal blocks	270
Desk-design feed-through terminal blocks with 3 connections	272
Desk-design ground terminal blocks with 3 connections	274
Desk-design feed-through terminal blocks with 4 connections	276
Desk-design ground terminal blocks with 4 connections	277
Desk-design double-level terminal blocks	278
Desk-design knife disconnect and disconnect terminal blocks	280
Installation terminal blocks	282
Installation/ground terminal blocks	284
Installation neutral conductor disconnect terminal blocks	286
Three-level installation terminal blocks	288
Mini double-level terminal blocks	293
Mini feed-through terminal blocks with perpendicular conductor entry	294
Mini feed-through terminal blocks with perpendicular conductor entry for direct mounting	298
Mini feed-through terminal blocks with lateral conductor entry	300
Mini feed-through terminal blocks with lateral conductor entry for direct mounting	303

Modular terminal blocks - CLIPLINE complete

ST spring-cage connection terminal blocks



Space-saving design

Thanks to the space-saving design and conductor entry from above, ST spring-cage terminal blocks are ideal for control systems where limited space is available.



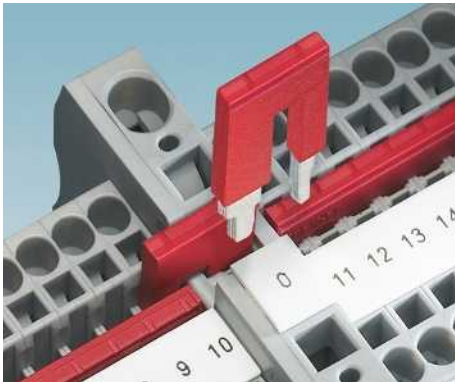
Maximum connection space

Thanks to their maximum connection space, miniature spring-cage terminal blocks offer a quick means of wiring solid and stranded conductors, even for conductors of nominal cross section with assembled ferrule.

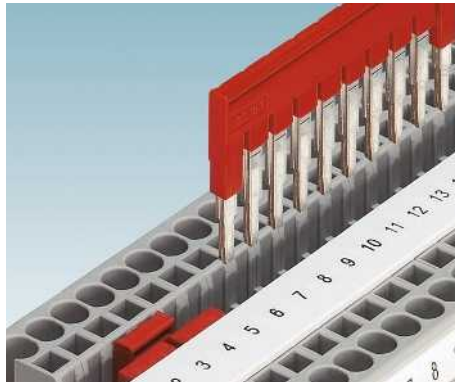


Large-surface labeling

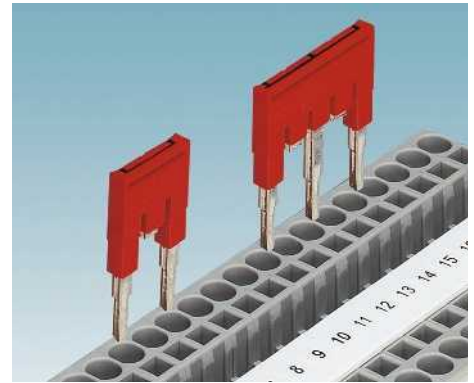
Large and clear marking of the terminal points is essential for reliable and quick installation. In addition to this, each terminal point can be labeled separately.



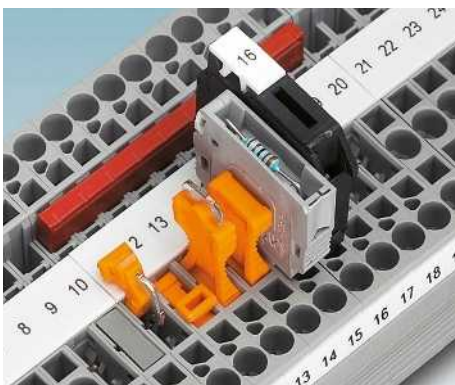
The reducing bridge allows terminal blocks with different nominal cross sections to be connected with ease. The reducing bridge can be used to quickly create power blocks, e.g., an ST 10 spring-cage terminal block with an ST 2,5 or ST 4.



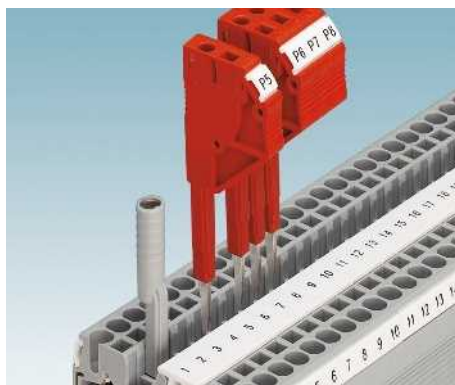
The double function shaft can be used to connect any number of terminal blocks with two-position bridges. The 2 to 50-pos. bridges allow up to 50 terminal blocks to be bridged in one step.



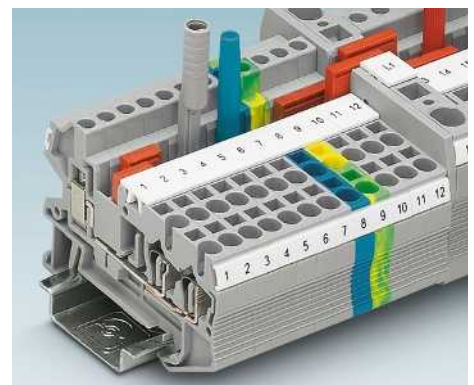
A jumping bridge is created by removing individual contact guides from the standard bridge. Two potentials can then be routed in parallel. The contact points can also be marked.



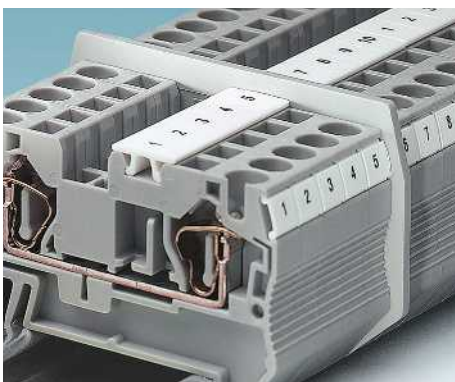
The P-FIX isolated feed-through connector, P-DI isolating plug, P-CO component plug, and P-FU cartridge fuse plug can be used in the universal plug-in zone of the disconnect terminal block.



A test plug with a 2.3 mm diameter is available for measuring lines. All measurement and test work can be completed at speed using test adapters for 4 mm diameter test plugs and the modular test plugs.



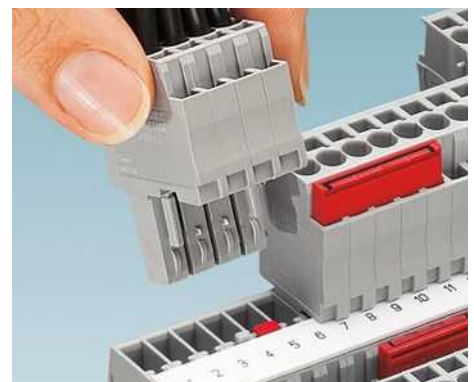
The hybrid versions combine the benefits of the spring-cage connection method with those of the universal screw connection.



The partition plates protrude beyond the terminal block contours. They provide visual as well as electrical group separation.



Cover segments are used to cover protruding terminal block segments of three or four-conductor terminal blocks, when adding two-conductor terminal blocks. Fingers are thereby protected from contact.



ST-COMBI terminal blocks are available for creating plug-in signal and power wiring. The system is touch proof and offers plugs for self-assembly with extensive accessories. See "COMBI" section, page 329.

Modular terminal blocks - CLIPLINE complete

ST spring-cage connection terminal blocks

ST ... feed-through terminal block



The ST spring-cage terminal block series is characterized by the system features of the CLIPLINE complete system and the following features:

- The compact design and front connection not only offer space savings but also convenient wiring in tight spaces
- The large connection space allows conductors with ferrules and plastic collars of nominal cross section to be accommodated
- The continuous dual function shaft offers every opportunity for time-saving potential distribution and storing test accessories

Terminal strip service

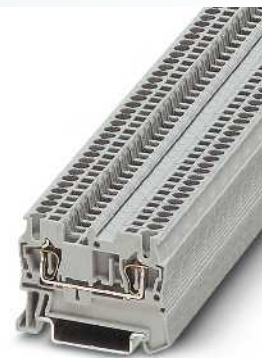
We produce fully pre-assembled terminal strips for fitting straight into the control cabinet or switch system. This simplifies installation, saves time, and cuts costs.

Marker carriers

- Various marker carriers and adapters are available for all tasks relating to the marking of terminal blocks and terminal strips.



Notes:
For suitable marker carriers or adapters, see page 484.
1) For installation notes on the use of accessories for Ex e applications, see page 710.
2) The reducing bridge table should be followed, see page 476.



1.5 (1.5) mm², 17.5 A, feed-through terminal block



Ex: KEMA 01ATEX2129 U / IECEx KEM 06.0043U

Dimensions	[mm]		
Max. electrical data			
Rated data			
Rated voltage	[V]	500	300
Nominal current / cross section	[A] / [mm ²]	17.5 / 1.5	15 / -
Rated cross section	[mm ²]	1.5	-
Cross section range	AWG	28 - 16	26-14
Connection capacity			
1 conductor	[mm ²]	0.08 - 1.5	0.08 - 1.5
Two stranded conductors with a TWIN ferrule	[mm ²]		0.14 - 1.5
General data			
Stripping length	[mm]	10	PA
Insulating material			V0
Inflammability class according to UL 94			

Technical data			
Width	Length	Height NS 35/7,5	
4.2	48.5	36.5	
I_{max} [A]	U_{max} [V]	max. Ø [mm²]	AWG
17.5	500	0.08 - 1.5	28 - 16
IEC 60947-7-1			
IEC	UL/CUL	CSA	IEC/EN 60079-7
300	15 / -	15 / -	440
17.5 / 1.5 //			17.5 / 1.5 //
17.5 / 1.5			17.5 / 1.5
1.5	-	-	1.5
28 - 16	26-14	26-14	28 - 16
Connection capacity		Ferrule	
solid	stranded	Without / with plastic sleeve	
0.08 - 1.5	0.08 - 1.5	0.14 - 1.5	0.14 - 1.5
			0.5
10	PA		V0

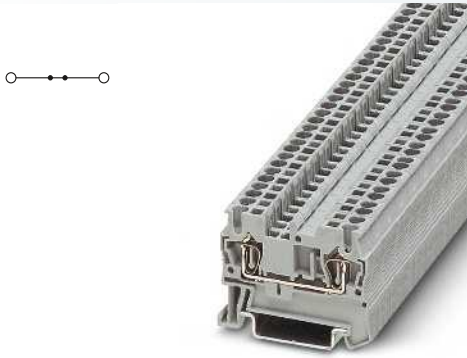
Description	No. of pos.	Color
Terminal block , for mounting on NS 35...		gray
		blue
		orange
		red
		black

Ordering data			
Type	I _{max}	Order No.	Pcs. / Pkt.
ST 1,5		3031076	50
ST 1,5 BU		3031089	50
ST 1,5 OG		3037012	50
ST 1,5 RD		3037038	50
ST 1,5 BK		3037067	50

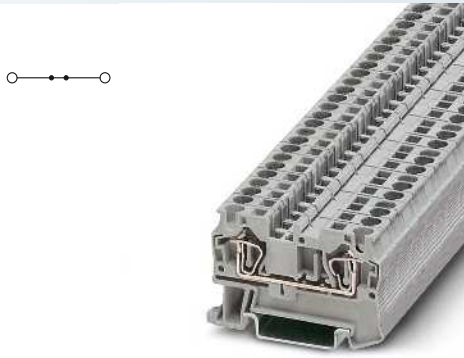
Cover , width 2.2 mm		gray
Cover , 0.8 mm width		orange
Insulation stop sleeve , cross section range:	0.08 - 0.2 mm ²	white
	0.25 - 0.5 mm ²	gray
	0.75 - 1 mm ²	black
Plug-in bridge	2	red
	3	red
	4	red
	5	red
	10	red
	20	red
Reducing bridge ²⁾	2	red
Partition plate , 2 mm width		gray
Test plug metal part , 2.3 mm Ø		
Insulating sleeve , for MPS metal part		red
Modular test plug , for the individual assembly of test plug strips		red
Warning cover , for ST series		yellow
Screwdriver		

Accessories ¹⁾		
D-ST 2,5	3030417	50
D-ST 2,5-0,8 OG	3030511	50
ISH 1,5/0,2	3206131	50
	3031034	50
FBS 2-4	17.5 A	3030116
FBS 3-4	17.5 A	3030129
FBS 4-4	17.5 A	3030132
FBS 5-4	17.5 A	3030145
FBS 10-4	17.5 A	3030158
FBS 20-4	17.5 A	3030352
ATP-ST 4		3030721
PS-4		3030970
WST 1,5		3030958
SZF 0-0,4X2,5		1204504

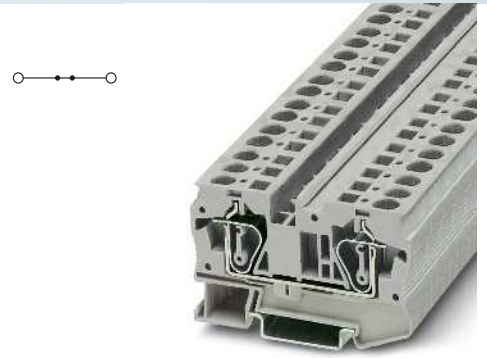
Center groove labeling	UC-TM 4, UCT-TM 4 or ZB 4 (see Catalog 5)
Center and lateral groove labeling	UC-TMF 4, UCT-TMF 4 or ZBF 4 (see Catalog 5)



2.5 (4) mm², 31 A, feed-through terminal block



4 (6) mm², 40 A, feed-through terminal block



6 (10) mm², 52 A, feed-through terminal block



Ex: KEMA 00ATEX2052U / IECEx KEM 06.0051U



Ex: KEMA 00ATEX2129U / IECEx KEM 06.0050U



Ex: KEMA 00ATEX2129U / IECEx KEM 06.0050U

Technical data			
Width	Length	Height NS 35/7,5	
5.2	48.5	36.5	
I_{max} [A]	U_{max} [V]	max. Ø [mm ²]	AWG
31	800	0.08 - 4	28 - 12
IEC 60947-7-1			
IEC	UL/CUL	CSA	IEC/EN 60079-7
800	600	600	550
24 / 2.5	20 / -	20 / -	21 / 2.5 // 27 / 4
2.5	-	-	2.5
28 - 12	28-12	28-12	28 - 12
solid	stranded	Ferrule	
Without / with plastic sleeve			
0.08 - 4	0.08 - 2.5	0.14 - 2.5	0.14 - 2.5
0.5			
10	PA	V0	

Technical data			
Width	Length	Height NS 35/7,5	
6.2	56	36.5	
I_{max} [A]	U_{max} [V]	max. Ø [mm ²]	AWG
40	800	0.08 - 6	28 - 10
IEC 60947-7-1			
IEC	UL/CUL	CSA	IEC/EN 60079-7
800	600	600	550
32 / 4	30 / -	30 / -	30 / 4 // 34.5 / 6
4	-	-	4
28 - 10	28-10	28-10	28 - 10
solid	stranded	Ferrule	
Without / with plastic sleeve			
0.08 - 6	0.08 - 4	0.14 - 4	0.14 - 4
0.5 - 1			
10	PA	V0	

Technical data			
Width	Length	Height NS 35/7,5	
8.2	69.5	43.5	
I_{max} [A]	U_{max} [V]	max. Ø [mm ²]	AWG
52	1000	0.2 - 10	24 - 8
IEC 60947-7-1			
IEC	UL/CUL	CSA	IEC/EN 60079-7
1000	600	600	550
41 / 6	50 / -	50 / -	36.5 / 6 // 45 / 10
6	-	-	6
24 - 8	24-8	24-8	24 - 8
solid	stranded	Ferrule	
Without / with plastic sleeve			
0.2 - 10	0.2 - 6	0.25 - 6	0.25 - 6
0.5 - 1.5			
12	PA	V0	

Ordering data			
Type	I_{max}	Order No.	Pcs. / Pkt.
ST 2,5		3031212	50
ST 2,5 BU		3031225	50
ST 2,5 OG		3037070	50
ST 2,5 RD		3037096	50
ST 2,5 BK		3037122	50

Ordering data			
Type	I_{max}	Order No.	Pcs. / Pkt.
ST 4		3031364	50
ST 4 BU		3031377	50
ST 4 OG		3037135	50
ST 4 RD		3037151	50
ST 4 BK		3037180	50

Ordering data			
Type	I_{max}	Order No.	Pcs. / Pkt.
ST 6		3031487	50
ST 6 BU		3031490	50

Accessories ¹⁾			
D-ST 2,5		3030417	50
D-ST 2,5-0,8 OG		3030511	50
ISH 2,5/0,2		3002843	50
ISH 2,5/0,5		3002856	50
ISH 2,5/1,0		3002869	50
FBS 2-5	24 A	3030161	50
FBS 3-5	24 A	3030174	50
FBS 4-5	24 A	3030187	50
FBS 5-5	24 A	3030190	50
FBS 10-5	24 A	3030213	10
FBS 20-5	24 A	3030226	10
RB ST (2,5/4)-1,5		3038943	10
ATP-ST 4		3030721	50
MPS-MT		0201744	10
MPS-IH RD		0201676	10
PS-5		3030983	10
WST 2,5		3030941	50
SZF 1-0,6X3,5		1204517	10

Accessories ¹⁾			
D-ST 4		3030420	50
ISH 4/0,5		3002885	50
ISH 4/1,0		3002898	50
FBS 2-6	32 A	3030336	50
FBS 3-6	32 A	3030242	50
FBS 4-6	32 A	3030255	50
FBS 5-6	32 A	3030349	50
FBS 10-6	32 A	3030271	10
FBS 20-6	32 A	3030365	10
RB ST (2,5/4)-1,5		3038943	10
ATP-ST 4		3030721	50
MPS-MT		0201744	10
MPS-IH RD		0201676	10
PS-6		3030996	10
WST 4		3030954	50
SZF 1-0,6X3,5		1204517	10

Accessories ¹⁾			
D-ST 6		3030433	50
FBS 2-8	41 A	3030284	10
FBS 3-8	41 A	3030297	10
FBS 4-8	41 A	3030307	10
FBS 5-8	41 A	3030310	10
FBS 10-8	41 A	3030323	10
RB ST 6-(2,5/4)		3030860	10
ATP-ST 6		3024481	50
MPS-MT		0201744	10
MPS-IH RD		0201676	10
PS-8		3031005	10
WST 6		3030967	10
SZF 2-0,8X4,0		1204520	10

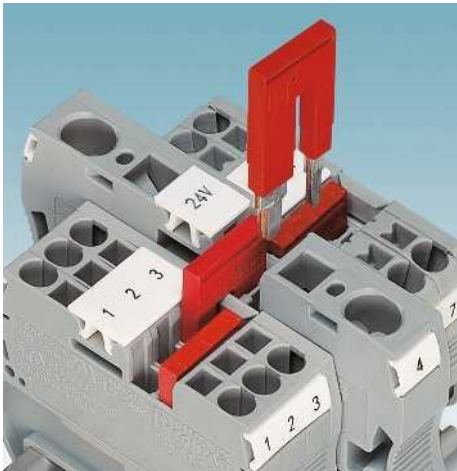
UC-TM 5, UCT-TM 5 or ZB 5
(see Catalog 5)
UC-TMF 5, UCT-TMF 5 or ZBF 5
(see Catalog 5)

UC-TM 6, UCT-TM 6 or ZB 6
(see Catalog 5)
UC-TMF 6, UCT-TMF 6 or ZBF 6
(see Catalog 5)

UC-TM 8, UCT-TM 8 or ZB 8
(see Catalog 5)
UC-TMF 8, UCT-TMF 8 or ZBF 8
(see Catalog 5)

ST spring-cage connection terminal blocks

ST ... feed-through terminal block



- The double bridge shaft not only allows individual chain bridging, but also step down bridging to spring-cage terminal blocks with smaller cross sections
- The flexible options for reducing bridging in the CLIPLINE complete system can be found in the "Accessories" section
- The PAI-ST 35/1000MM test plug with molded 2.5 mm² conductor functions both as a test connection and as a pick-off with a capacity of 24 A. The test connection makes contact in the function shaft of the ST 35 terminal blocks; see figure below.



Notes:
1) For installation notes on the use of accessories for Ex e applications, see page 710.
2) The reducing bridge table should be followed, see page 476.



10 (16) mm², 65 A, feed-through terminal block



Ex: Ex I, Ex II
KEMA 01ATEX2260 U / IECEx KEM 06.0033U

Dimensions		[mm]	
Max. electrical data			
Rated data			
Rated voltage	[V]	1000	600
Nominal current / cross section	[A] / [mm ²]	57 / 10	65 / -
Rated cross section	[mm ²]	10	-
Cross section range	AWG	24 - 6	16-6
Connection capacity			
1 conductor	[mm ²]	0.2 - 16	0.2 - 10
Two stranded conductors with a TWIN ferrule	[mm ²]		0.25 - 10
General data			
Stripping length	[mm]	18	
Insulating material		PA	
Inflammability class according to UL 94		V0	

Technical data			
Width	Length	Height NS 35/7,5	
10.2	71.5	50.3	
I _{max} [A]	U _{max} [V]	max. Ø [mm ²]	AWG
65	1000	0.2 - 16	24 - 6
IEC 60947-7-1			
IEC	UL/CUL	CSA	IEC/EN 60079-7
Rated voltage	[V]	600	550
Nominal current / cross section	[A] / [mm ²]	65 / -	50 / 10 // 63 / 16
Rated cross section	[mm ²]	-	10
Cross section range	AWG	16-6	24 - 6
Connection capacity			
solid	stranded	Ferrule	
		Without / with plastic sleeve	
0.2 - 16	0.2 - 10	0.25 - 10	0.25 - 10
			1.5 - 2.5
18			
PA			
V0			

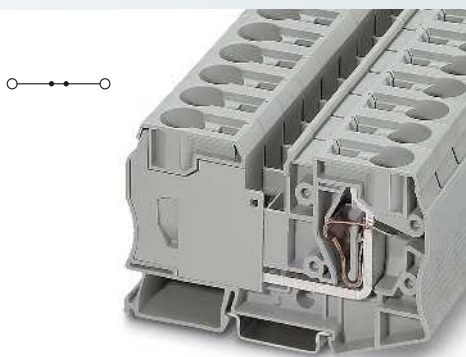
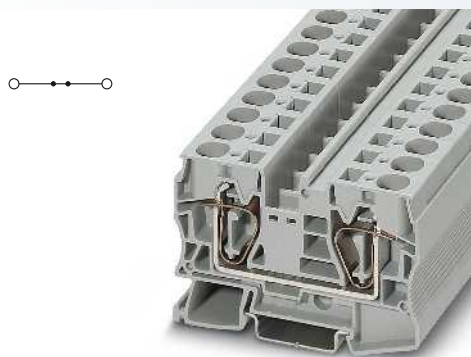
Description	No. of pos.	Color
Terminal block, for mounting on NS 35...		gray blue
Cover, width 2.2 mm		gray
Plug-in bridge	2	red
Reducing bridge ²⁾	2	red
Reducing bridge ²⁾	2	red
Test plug metal part, 2.3 mm Ø	2	red
Insulating sleeve, for MPS metal part		red
Test plug, with molded 2.5 mm ² conductor, length: 1 m		red
Warning cover, for actuation shafts, 5-pos.		yellow
Screwdriver		

Center groove labeling
Center and lateral groove labeling

Ordering data			
Type	I _{max}	Order No.	Pcs. / Pkt.
ST 10		3036110	50
ST 10 BU		3036123	50

Accessories ¹⁾			
D-ST 10		3036644	50
FBS 2-10	57 A	3005947	10
RB ST 10-(2,5/4)		3030873	10
MPS-MT		0201744	10
MPS-IH RD		0201676	10
WST 10/35		3030006	25
SZF 3-1,0X5,5		1206612	10

UC-TM 10, UCT-TM 10 or ZB 10 (see Catalog 5)
UC-TMF 10, UCT-TMF 10 or ZBF 10 (see Catalog 5)



16 (25) mm², 90 A, feed-through terminal block

35 (35) mm², 125 A, feed-through terminal block

Ex: KEMA 01ATEX2260 U / IECEx KEM 06.0033U

Ex: KEMA 01ATEX2260 U / IECEx KEM 06.0033U

Technical data			
Width	Length	Height NS 35/7,5	
12.2	80	51.5	
I_{max} [A]	U_{max} [V]	max. Ø [mm ²]	AWG
90	1000	0.2 - 25	24 - 4
IEC 60947-7-1			
IEC	UL/CUL	CSA	IEC/ EN 60079-7
1000	600	600	550
76 / 16	85 / -	85 / -	65 / 16 // 82 / 25
16	-	-	16
24 - 4	16-4	16-4	24 - 4
solid	stranded	Ferrule	
		Without / with plastic sleeve	
0.2 - 25	0.2 - 16	0.25 - 16	0.25 - 16 1.5 - 4
18			
PA			
V0			

Technical data			
Width	Length	Height NS 35/7,5	
16	100	59	
I_{max} [A]	U_{max} [V]	max. Ø [mm ²]	AWG
125	1000	2.5 - 35	14 - 2
IEC 60947-7-1			
IEC	UL/CUL	CSA	IEC/ EN 60079-7
1000	600	600	690
125 / 35	115 / -	115 / -	108 / 35 // 108 / 35
35	-	-	35
14 - 2	14-2	14-2	14 - 2
solid	stranded	Ferrule	
		Without / with plastic sleeve	
2.5 - 35	2.5 - 35	2.5 - 35	2.5 - 35 2.5 - 10
25			
PA			
V0			

Ordering data			
Type	I_{max}	Order No.	Pcs. / Pkt.
ST 16		3036149	50
ST 16 BU		3036152	50

Ordering data			
Type	I_{max}	Order No.	Pcs. / Pkt.
ST 35		3036178	10
ST 35 BU		3036181	10

Accessories ¹⁾			
D-ST 16		3036657	50
FBS 2-12	76 A	3005950	10
RB ST 16-(2,5/4)		3030886	10
MPS-MT		0201744	10
MPS-IH RD		0201676	10
WST 10/35		3030006	25
SZF 3-1,0X5,5		1206612	10

Accessories ¹⁾			
FBS 2-16	101 A	3005963	10
RB ST 35-(2,5/4)		3030899	10
RB 35-16		3032169	10
MPS-MT		0201744	10
MPS-IH RD		0201676	10
PAI-ST 35/1000MM		3029994	20
WST 10/35		3030006	25
SZF 3-1,0X5,5		1206612	10

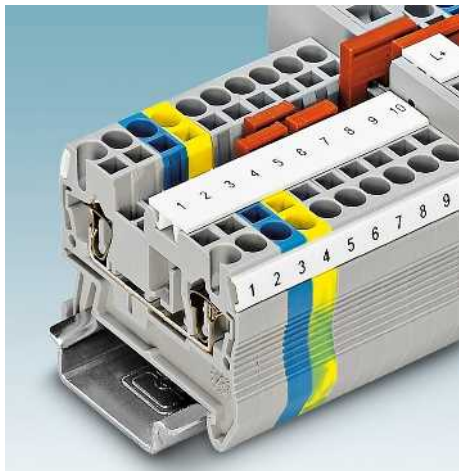
UC-TM 12, UCT-TM 12 or ZB 12
(see Catalog 5)
UC-TMF 12, UCT-TMF 12 or ZBF 12
(see Catalog 5)

UC-TM 16, UCT-TM 16 or ZB 16,3
(see Catalog 5)
UC-TMF 16, UCT-TMF 16 or ZBF 16
(see Catalog 5)

Modular terminal blocks - CLIPLINE complete

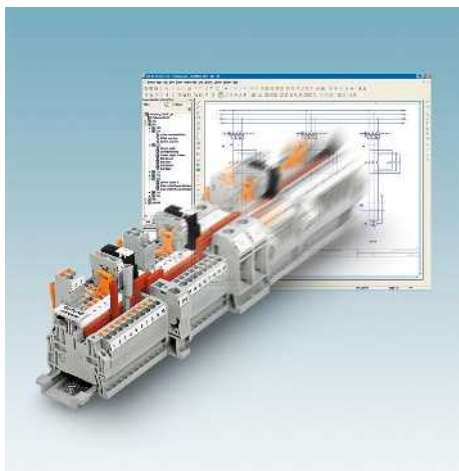
ST spring-cage connection terminal blocks

ST ...-PE ground terminal blocks

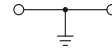


- Same shape and pitch as the feed-through terminal blocks
- Contact is made free from mechanical and electrical errors by simply snapping onto the DIN rail
- meet all the requirements of standard IEC 60947-7-2 ST ...-PE
These are in particular:
 - Low contact resistance
 - Corrosion-proof terminal points
 - Green-yellow housing
 - Additional options for marking

CLIP PROJECT Planning enables the quick and convenient planning and configuration of fault-free terminal strips.



Notes:
For current carrying capacity of DIN rails, see page 716.
1) For installation notes on the use of accessories for Ex e applications, see page 710.



1.5 (1.5) mm², ground terminal block

Ex: KEMA 01ATEX2129 U / IECEx KEM 06.0043U

Technical data

Dimensions		Width		Length		Height NS 35/7,5	
		4.2		48.5		36.5	
Max. electrical data		max. Ø [mm ²]		AWG			
		0.08 - 1.5		28 - 16			
Rated data		IEC 60947-7-2		UL/CUL		CSA	
Rated voltage [V]		-		-		-	
Nominal current / cross section [A] / [mm ²]		-		-/-		-	
Rated cross section [mm ²]		1.5		-		1.5	
Cross section range AWG		28 - 16		26-14		26-14	
Connection capacity		solid		stranded		Ferrule	
1 conductor [mm ²]		0.08 - 1.5		0.08 - 1.5		Without / with plastic sleeve	
Two stranded conductors with a TWIN ferrule [mm ²]						0.14 - 1.5 0.14 - 1.5	
						0.5	
General data		Stripping length [mm]		10		PA	
		Insulating material		V0			
		Inflammability class according to UL 94					

Ordering data

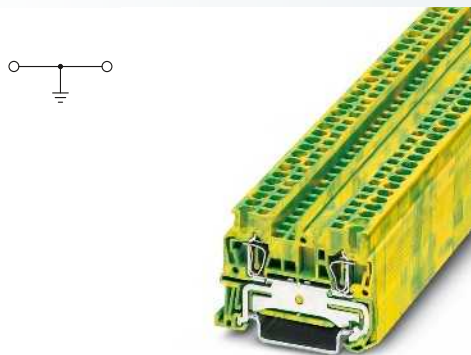
Description	No. of pos.	Color	Type	Order No.	Pcs. / Pkt.
Ground terminal block, for mounting on NS 35...		green-yellow	ST 1,5-PE	3031513	50

Accessories¹⁾

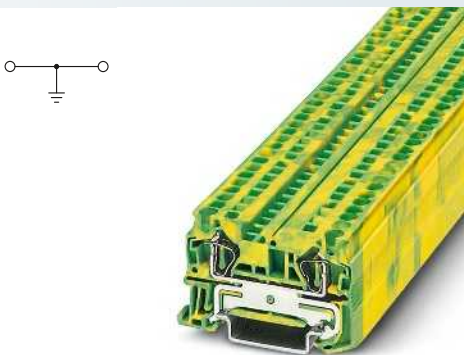
Cover, width 2.2 mm	gray	D-ST 2,5	3030417	50
Cover, 0.8 mm width	orange	D-ST 2,5-0,8 OG	3030511	50
Insulation stop sleeve, cross section range:				
0.08 - 0.2 mm ²	white	ISH 1,5/0,2	3206131	50
0.25 - 0.5 mm ²	gray	ISH 1,5/0,5	3031034	50
0.75 - 1 mm ²	black			
Plug-in bridge				
	2	red		
	3	red		
	4	red		
	5	red		
	10	red		
Partition plate, 2 mm width	gray	ATP-ST 4	3030721	50
Test plug metal part, 2,3 mm Ø				
Insulating sleeve, for MPS metal part	red			
Warning cover, for ST series	yellow	WST 1,5	3030958	50
Screwdriver		SZF 0-0,4X2,5	1204504	10

Center groove labeling
Center and lateral groove labeling

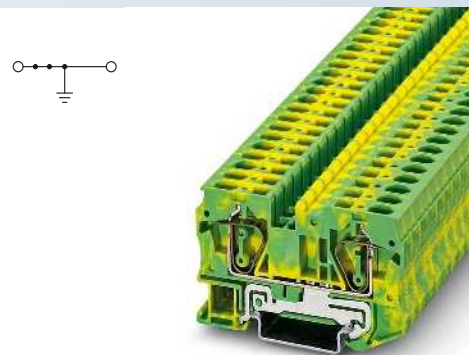
UC-TM 4, UCT-TM 4 or ZB 4 (see Catalog 5)
UC-TMF 4, UCT-TMF 4 or ZBF 4 (see Catalog 5)



2.5 (4) mm², ground terminal block



4 (6) mm², ground terminal block



6 (10) mm², ground terminal block



Ex:
 KEMA 00ATEX2052U / IECEx KEM 06.0051U



Ex:
 KEMA 00ATEX2129U / IECEx KEM 06.0050U



Ex:
 KEMA 00ATEX2129U / IECEx KEM 06.0050U

Technical data			
Width	Length	Height NS 35/7,5	
5.2	48.5	36.5	
		max. Ø [mm ²]	AWG
		0.08 - 4	28 - 12
IEC 60947-7-2			
IEC	UL/CUL	CSA	IEC/ EN 60079-7
-	-	-	-
-	-/-	-	-
2.5	-	-	2.5
28 - 12	28-12	28-12	28 - 12
solid	stranded	Ferrule	
		Without / with plastic sleeve	
0.08 - 4	0.08 - 2.5	0.14 - 2.5	0.14 - 2.5
			0.5
10	PA	V0	

Technical data			
Width	Length	Height NS 35/7,5	
6.2	56	36.5	
		max. Ø [mm ²]	AWG
		0.08 - 6	28 - 10
IEC 60947-7-2			
IEC	UL/CUL	CSA	IEC/ EN 60079-7
-	-	-	-
-	-/-	-	-
4	-	-	4
28 - 10	28-10	28-10	28 - 10
solid	stranded	Ferrule	
		Without / with plastic sleeve	
0.08 - 6	0.08 - 4	0.14 - 4	0.14 - 4
			0.5 - 1
10	PA	V0	

Technical data			
Width	Length	Height NS 35/7,5	
8.2	69.5	43.5	
		max. Ø [mm ²]	AWG
		0.2 - 10	24 - 8
IEC 60947-7-2			
IEC	UL/CUL	CSA	IEC/ EN 60079-7
-	-	-	-
-	-/-	-	-
6	-	-	6
24 - 8	24-8	24-8	24 - 8
solid	stranded	Ferrule	
		Without / with plastic sleeve	
0.2 - 10	0.2 - 6	0.25 - 6	0.25 - 6
			0.5 - 1.5
12	PA	V0	

Ordering data		
Type	Order No.	Pcs. / Pkt.
ST 2,5-PE	3031238	50

Ordering data		
Type	Order No.	Pcs. / Pkt.
ST 4-PE	3031380	50

Ordering data		
Type	Order No.	Pcs. / Pkt.
ST 6-PE	3031500	50

Accessories ¹⁾		
D-ST 2,5	3030417	50
D-ST 2,5-0,8 OG	3030511	50
ISH 2,5/0,2	3002843	50
ISH 2,5/0,5	3002856	50
ISH 2,5/1,0	3002869	50
ATP-ST 4	3030721	50
WST 2,5	3030941	50
SZF 1-0,6X3,5	1204517	10

Accessories ¹⁾		
D-ST 4	3030420	50
ISH 4/0,5	3002885	50
ISH 4/1,0	3002898	50
ATP-ST 4	3030721	50
WST 4	3030954	50
SZF 1-0,6X3,5	1204517	10

Accessories ¹⁾		
D-ST 6	3030433	50
FBS 2-8	3030284	10
FBS 3-8	3030297	10
FBS 4-8	3030307	10
FBS 5-8	3030310	10
FBS 10-8	3030323	10
ATP-ST 6	3024481	50
MPS-MT	0201744	10
MPS-IH RD	0201676	10
WST 6	3030967	10
SZF 2-0,8X4,0	1204520	10

UC-TM 5, UCT-TM 5 or ZB 5
(see Catalog 5)
UC-TMF 5, UCT-TMF 5 or ZBF 5
(see Catalog 5)

UC-TM 6, UCT-TM 6 or ZB 6
(see Catalog 5)
UC-TMF 6, UCT-TMF 6 or ZBF 6
(see Catalog 5)

UC-TM 8, UCT-TM 8 or ZB 8
(see Catalog 5)
UC-TMF 8, UCT-TMF 8 or ZBF 8
(see Catalog 5)

Modular terminal blocks - CLIPLINE complete

ST spring-cage connection terminal blocks

ST ...PE ground terminal blocks



PEN function in accordance with IEC 60947-7-2 from 10 mm² rated cross section

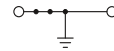
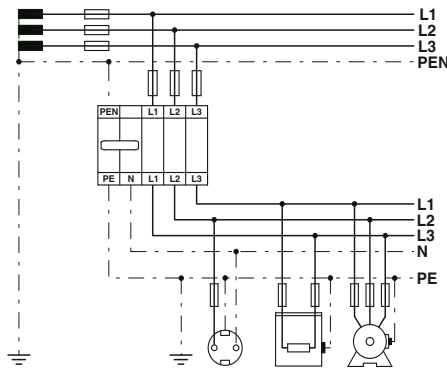
When electrical machine controls installed in a 5-conductor system are connected to the power supply at the site of installation, it is impossible to know in advance whether the connection will involve 4 or 5 conductors.

Larger cross sections normally have a 4-conductor supply, which must then be converted to a 5-conductor system on the terminal strip. The point at which the PEN conductor is split up into the neutral conductor and protective conductor is of particular importance here. In the case of ST spring-cage terminal blocks, this separation can be implemented very easily and according to the standard using a block that consists of a green-yellow ground terminal block with a metal foot and a blue modular terminal block that is isolated toward the DIN rail. Both terminal blocks are interconnected with a powerful plug-in bridge via which the current of the neutral conductor from the system is led to the PEN conductor. A copper DIN rail is not required, since the rail only has a PE function when the power block is used and can therefore be made of steel. Please observe the maximum permissible short-circuit current of the DIN rail for the PE function.

Notes:

For current carrying capacity of DIN rails, see page 716.

¹⁾ For installation notes on the use of accessories for Ex e applications, see page 710.



10 (16) mm², 65 A, ground terminal block

UL US PC VDE CE GBL KR TÜV SÜD ClassNK CB

Ex: Ex IECEx KEMA 01ATEX2260 U / IECEx KEM 06.0033U

Technical data

Width	Length	Height NS 35/7,5	
10.2	71.5	50.3	
I _{max} [A]	max. Ø [mm ²]	AWG	
65	0.2 - 16	24 - 6	
IEC 60947-7-2			
IEC	UL/CUL	CSA	IEC/EN 60079-7
Rated voltage [V]			
-			
Nominal current / cross section [A] / [mm ²]			
57 / 10			
Rated cross section [mm ²]			
10			
Cross section range AWG			
24 - 6		16-6	
Connection capacity			
1 conductor [mm ²]		Ferrule	
Two stranded conductors with a TWIN ferrule [mm ²]		Without / with plastic sleeve	
0.2 - 16		0.25 - 10	
0.2 - 10		0.25 - 10	
		1.5 - 2.5	
General data			
Stripping length [mm]			
18			
Insulating material			
PA			
Inflammability class according to UL 94			
V0			

Ordering data

Type	I _{max}	Order No.	Pcs. / Pkt.
ST 10-PE		3036136	50

Accessories¹⁾

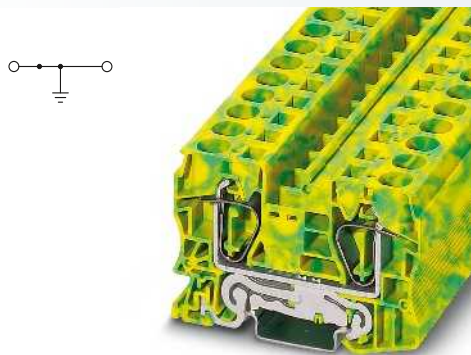
Accessories	Order No.	Pcs. / Pkt.
D-ST 10	3036644	50
FBS 2-10	3005947	10
MPS-MT	0201744	10
MPS-IH RD	0201676	10
WST 10/35	3030006	25
SZF 3-1,0X5,5	1206612	10
UC-TM 10, UCT-TM 10 or ZB 10 (see Catalog 5)		
UC-TMF 10, UCT-TMF 10 or ZBF 10 (see Catalog 5)		

Dimensions		[mm]
Max. electrical data		
Rated data		
Rated voltage [V]		-
Nominal current / cross section [A] / [mm ²]		57 / 10
Rated cross section [mm ²]		10
Cross section range AWG		24 - 6
Connection capacity		
1 conductor [mm ²]		0.2 - 16
Two stranded conductors with a TWIN ferrule [mm ²]		0.2 - 10
General data		
Stripping length [mm]		18
Insulating material		PA
Inflammability class according to UL 94		V0

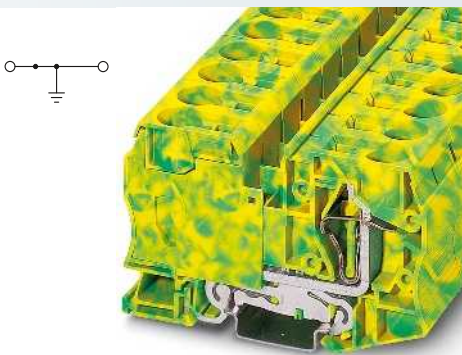
Description	No. of pos.	Color
Ground terminal block, for mounting on NS 35...		green-yellow

Cover, width 2.2 mm		gray
Plug-in bridge		
Test plug metal part, 2.3 mm Ø	2	red
Insulating sleeve, for MPS metal part		red
Warning cover, for actuation shafts, 5-pos.		yellow

Screwdriver		
Center groove labeling		
Center and lateral groove labeling		



16 (25) mm², 90 A, ground terminal block



35 (35) mm², 125 A, ground terminal block



Ex: KEMA 01ATEX2260 U / IECEx KEM 06.0033U



Ex: KEMA 01ATEX2260 U / IECEx KEM 06.0033U

Technical data			
Width	Length	Height NS 35/7,5	
12.2	80	51.5	
I_{max} [A]		max. Ø [mm ²]	AWG
90		0.2 - 25	24 - 4
IEC 60947-7-2			
IEC	UL/CUL	CSA	IEC/EN 60079-7
-	-	-	-
76 / 16	- / -	-	-
16	-	-	16
24 - 4	16-4	16-4	24 - 4
solid	stranded	Ferrule	
		Without / with plastic sleeve	
0.2 - 25	0.2 - 16	0.25 - 16	0.25 - 16 1.5 - 4
18			
PA			
V0			

Technical data			
Width	Length	Height NS 35/7,5	
16	100	59	
I_{max} [A]		max. Ø [mm ²]	AWG
125		2.5 - 35	14 - 2
IEC 60947-7-2			
IEC	UL/CUL	CSA	IEC/EN 60079-7
-	-	-	-
125 / 35	- / -	-	-
35	-	-	35
14 - 2	14-2	14-2	14 - 2
solid	stranded	Ferrule	
		Without / with plastic sleeve	
2.5 - 35	2.5 - 35	2.5 - 35	2.5 - 35 2.5 - 10
25			
PA			
V0			

Ordering data			
Type	I_{max}	Order No.	Pcs. / Pkt.
ST 16-PE		3036165	25

Ordering data			
Type	I_{max}	Order No.	Pcs. / Pkt.
ST 35-PE		3036194	10

Accessories ¹⁾			
D-ST 16		3036657	50
FBS 2-12	76 A	3005950	10
MPS-MT		0201744	10
MPS-IH RD		0201676	10
WST 10/35		3030006	25
SZF 3-1,0X5,5		1206612	10

Accessories ¹⁾			
FBS 2-16	101 A	3005963	10
MPS-MT		0201744	10
MPS-IH RD		0201676	10
WST 10/35		3030006	25
SZF 3-1,0X5,5		1206612	10

UC-TM 12, UCT-TM 12 or ZB 12
(see Catalog 5)
UC-TMF 12, UCT-TMF 12 or ZBF 12
(see Catalog 5)

UC-TM 16, UCT-TM 16 or ZB 16,3
(see Catalog 5)
UC-TMF 16, UCT-TMF 16 or ZBF 16
(see Catalog 5)

ST spring-cage connection terminal blocks

ST ...-TWIN feed-through terminal blocks with 3 connections



ST ...-TWIN terminal blocks with single-sided double connection enable:

- Space-saving and practical multi-conductor connection without additional bridge
- All potential distribution tasks can be undertaken with ease
- The continuous dual function shaft offers every opportunity for time-saving potential distribution and storing test accessories

End cover segments

- If two-conductor terminal blocks are aligned on three or four-conductor terminal blocks, cover segments cover protruding parts
- Fingers are protected from contact



Notes:
1) The total current of all connected conductors must not exceed the max. load current.
2) For installation notes on the use of accessories for Ex e applications, see page 710.
3) The reducing bridge table should be followed, see page 476.



1.5 (1.5) mm², 17.5 A, feed-through terminal block, 3 connections



Ex: Ex I, Ex II, Ex III
KEMA 01ATEX2129 U / IECEx KEM 06.0043U

Technical data

Dimensions		[mm]	
Max. electrical data			
I_{max} [A]	U_{max} [V]	max. Ø [mm ²]	AWG
17.5 ¹⁾	500	0.08 - 1.5	28 - 16
IEC 60947-7-1			
Rated data			
Rated voltage	[V]	500	300
Nominal current / cross section	[A] / [mm ²]	17.5 ¹⁾ / 1.5	15 / -
Rated cross section	[mm ²]	1.5	-
Cross section range	AWG	28 - 16	26-14
Connection capacity			
1 conductor	[mm ²]	0.08 - 1.5	0.14 - 1.5
Two stranded conductors with a TWIN ferrule	[mm ²]	0.08 - 1.5	0.14 - 1.5
General data			
Stripping length	[mm]	10	
Insulating material		PA	
Inflammability class according to UL 94		V0	

Width	Length	Height NS 35/7,5	
4.2	60.5	36.5	
I_{max} [A]	U_{max} [V]	max. Ø [mm ²]	AWG
17.5 ¹⁾	500	0.08 - 1.5	28 - 16
IEC 60947-7-1			
IEC	UL/CUL	CSA	IEC/EN 60079-7
500	300	300	440
17.5 ¹⁾ / 1.5	15 / -	15 / -	17.5 / 1.5 // 17.5 / 1.5
Rated cross section	[mm ²]	1.5	1.5
Cross section range	AWG	28 - 16	28 - 16
Connection capacity			
solid	stranded	Ferrule	
Without / with plastic sleeve			
0.08 - 1.5	0.08 - 1.5	0.14 - 1.5	0.14 - 1.5
0.5			
10			
PA			
V0			

Ordering data

Description	No. of pos.	Color
Terminal block, for mounting on NS 35...		gray blue orange red black

Type	I_{max}	Order No.	Pcs. / Pkt.
ST 1,5-TWIN		3031128	50
ST 1,5-TWIN BU		3031131	50
ST 1,5-TWIN OG		3037258	50
ST 1,5-TWIN RD		3037274	50
ST 1,5-TWIN BK		3037300	50

Accessories²⁾

Cover, width 2.2 mm	gray	
Cover, 0.8 mm width	orange	
End cover segment, for covering multi-conductor terminal blocks when two-conductor terminal blocks are aligned	gray	
Insulation stop sleeve, cross section range:		
0.08 - 0.2 mm ²	white	
0.25 - 0.5 mm ²	gray	
0.75 - 1 mm ²	black	
Plug-in bridge		
	2	red
	3	red
	4	red
	5	red
	10	red
	20	red

D-ST 2,5-TWIN	3030488	50
D-ST 2,5-TWIN-0,8 OG	3030512	50
DS-ST 2,5	3036602	10
ISH 1,5/0,2		
ISH 1,5/0,5	3206131	50
ISH 1,5/0,5	3031034	50
FBS 2-4	17.5 A	3030116
FBS 3-4	17.5 A	3030129
FBS 4-4	17.5 A	3030132
FBS 5-4	17.5 A	3030145
FBS 10-4	17.5 A	3030158
FBS 20-4	17.5 A	3030352

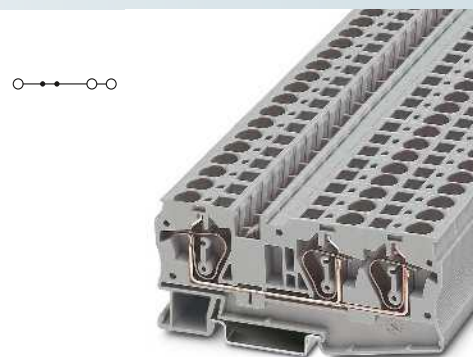
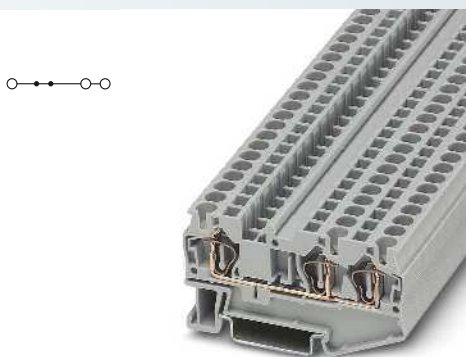
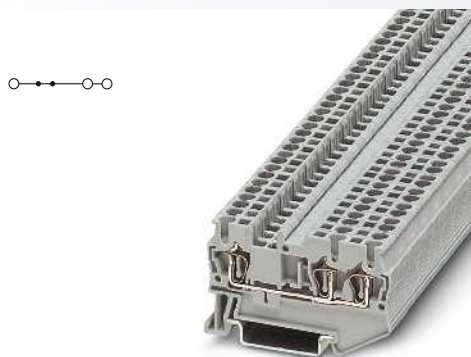
Reducing bridge³⁾		
	2	red
		gray
Partition plate, 2 mm width		gray
Test plug metal part, 2.3 mm Ø		
Insulating sleeve, for MPS metal part		red
Modular test plug, for the individual assembly of test plug strips		red
Warning cover, for ST series		yellow
Screwdriver		

ATP-ST-TWIN	3030789	50
PS-4	3030970	10
WST 1,5	3030958	50
SZF 0-0,4X2,5	1204504	10

Center groove labeling	UC-TM 4, UCT-TM 4 or ZB 4 (see Catalog 5)
Center and lateral groove labeling	UC-TMF 4, UCT-TMF 4 or ZBF 4 (see Catalog 5)

UC-TM 4, UCT-TM 4 or ZB 4 (see Catalog 5)
UC-TMF 4, UCT-TMF 4 or ZBF 4 (see Catalog 5)

ST spring-cage connection terminal blocks



2.5 (4) mm², 28 A, feed-through terminal block, 3 connections

4 (6) mm², 40 A, feed-through terminal block, 3 connections

6 (10) mm², 52 A, feed-through terminal block, 3 connections



Ex: KEMA 00ATEX2052U / IECEx KEM 06.0051U



Ex: KEMA 00ATEX2129U / IECEx KEM 06.0050U



Ex: KEMA 00ATEX2129U / IECEx KEM 06.0050U

Technical data			
Width	Length	Height NS 35/7,5	
5.2	60.5	36.5	
I _{max} [A]	U _{max} [V]	max. Ø [mm ²]	AWG
28 ¹⁾	800	0.08 - 4	28 - 12
IEC 60947-7-1			
IEC	UL/CUL	CSA	IEC/EN 60079-7
800	600	600	550
24 ¹⁾ / 2.5	20 / -	20 / -	21.5 / 2.5 // 25 / 4
2.5	-	-	2.5
28 - 12	28-12	28-12	28 - 12
solid	stranded	Ferrule	
Without / with plastic sleeve			
0.08 - 4	0.08 - 2.5	0.14 - 2.5	0.14 - 2.5
0.5			
10	PA	V0	

Technical data			
Width	Length	Height NS 35/7,5	
6.2	71.5	36.5	
I _{max} [A]	U _{max} [V]	max. Ø [mm ²]	AWG
40 ¹⁾	800	0.08 - 6	28 - 10
IEC 60947-7-1			
IEC	UL/CUL	CSA	IEC/EN 60079-7
800	600	600	550
32 ¹⁾ / 4	30 / -	30 / -	30 / 4 // 34.5 / 6
4	-	-	4
28 - 10	28-10	28-10	28 - 10
solid	stranded	Ferrule	
Without / with plastic sleeve			
0.08 - 6	0.08 - 4	0.14 - 4	0.14 - 4
0.5 - 1			
10	PA	V0	

Technical data			
Width	Length	Height NS 35/7,5	
8.2	90.5	43.5	
I _{max} [A]	U _{max} [V]	max. Ø [mm ²]	AWG
52 ¹⁾	1000	0.2 - 10	24 - 8
IEC 60947-7-1			
IEC	UL/CUL	CSA	IEC/EN 60079-7
1000	600	600	550
41 ¹⁾ / 6	50 / -	50 / -	36 / 6 // 46 / 10
6	-	-	6
24 - 8	24-8	24-8	24 - 8
solid	stranded	Ferrule	
Without / with plastic sleeve			
0.2 - 10	0.2 - 6	0.25 - 6	0.25 - 6
0.5 - 1.5			
12	PA	V0	

Ordering data			
Type	I _{max}	Order No.	Pcs. / Pkt.
ST 2,5-TWIN		3031241	50
ST 2,5-TWIN BU		3031254	50
ST 2,5-TWIN OG		3031982	50
ST 2,5-TWIN RD		3031995	50
ST 2,5-TWIN BK		3037342	50

Ordering data			
Type	I _{max}	Order No.	Pcs. / Pkt.
ST 4-TWIN		3031393	50
ST 4-TWIN BU		3031403	50
ST 4-TWIN OG		3037355	50
ST 4-TWIN RD		3037371	50
ST 4-TWIN BK		3037407	50

Ordering data			
Type	I _{max}	Order No.	Pcs. / Pkt.
ST 6-TWIN		3036466	50
ST 6-TWIN BU		3036479	50

Accessories ²⁾			
D-ST 2,5-TWIN		3030488	50
D-ST 2,5-TWIN-0,8 OG		3030512	50
DS-ST 2,5		3036602	10
ISH 2,5/0,2		3002843	50
ISH 2,5/0,5		3002856	50
ISH 2,5/1,0		3002869	50
FBS 2-5	24 A	3030161	50
FBS 3-5	24 A	3030174	50
FBS 4-5	24 A	3030187	50
FBS 5-5	24 A	3030190	50
FBS 10-5	24 A	3030213	10
FBS 20-5	24 A	3030226	10
RB ST (2,5/4)-1,5	31 A	3038943	10
ATP-ST-TWIN		3030789	50
MPS-MT		0201744	10
MPS-IH RD		0201676	10
PS-5		3030983	10
WST 2,5		3030941	50
SZF 1-0,6X3,5		1204517	10

Accessories ²⁾			
D-ST 4-TWIN		3030491	50
DS-ST 4		3036615	10
ISH 4/0,5		3002885	50
ISH 4/1,0		3002898	50
FBS 2-6	32 A	3030336	50
FBS 3-6	32 A	3030242	50
FBS 4-6	32 A	3030255	50
FBS 5-6	32 A	3030349	50
FBS 10-6	32 A	3030271	10
FBS 20-6	32 A	3030365	10
RB ST (2,5/4)-1,5	31 A	3038943	10
ATP-ST-TWIN		3030789	50
MPS-MT		0201744	10
MPS-IH RD		0201676	10
PS-6		3030996	10
WST 4		3030954	50
SZF 1-0,6X3,5		1204517	10

Accessories ²⁾			
D-ST 6-TWIN		3036767	50
FBS 2-8	41 A	3030284	10
FBS 3-8	41 A	3030297	10
FBS 4-8	41 A	3030307	10
FBS 5-8	41 A	3030310	10
FBS 10-8	41 A	3030323	10
RB ST 6-(2,5/4)		3030860	10
MPS-MT		0201744	10
MPS-IH RD		0201676	10
PS-8		3031005	10
WST 6		3030967	10
SZF 2-0,8X4,0		1204520	10

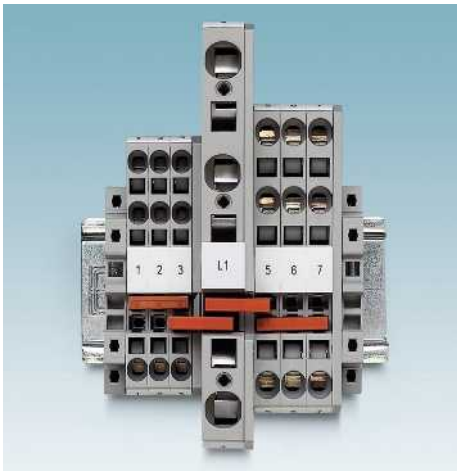
UC-TM 5, UCT-TM 5 or ZB 5
(see Catalog 5)
UC-TMF 5, UCT-TMF 5 or ZBF 5
(see Catalog 5)

UC-TM 6, UCT-TM 6 or ZB 6
(see Catalog 5)
UC-TMF 6, UCT-TMF 6 or ZBF 6
(see Catalog 5)

UC-TM 8, UCT-TM 8 or ZB 8
(see Catalog 5)
UC-TMF 8, UCT-TMF 8 or ZBF 8
(see Catalog 5)

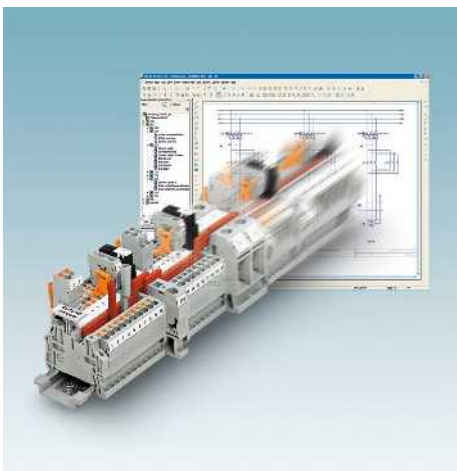
ST spring-cage connection terminal blocks

ST ...-TWIN feed-through terminal blocks with 3 connections



- ST ...-TWIN three-conductor spring-cage terminal blocks offer a space-saving alternative to standard feed-through terminal blocks where potential distribution with conductor cross sections of 10 and 16 mm² is required
- Ideal as potential distributors in loop wiring systems
- Terminal blocks with a nominal cross section of 2.5 or 4 mm² can be combined without additional wiring effort using the RB ST ... (2,5/4) reducing bridge
- The flexible options for reducing bridging in the CLIPLINE complete system can be found in the "Accessories" section

CLIP PROJECT Planning enables the quick and convenient planning and configuration of fault-free terminal strips.



Notes:
1) The total current of all connected conductors must not exceed the max. load current.
2) The reducing bridge table should be followed, see page 476.



10 (16) mm², 70 A, feed-through terminal block, 3 connections



Dimensions		[mm]
Max. electrical data		
Rated data		
Rated voltage	[V]	1000
Nominal current / cross section	[A] / [mm ²]	57 ¹⁾ / 10
Rated cross section	[mm ²]	10
Cross section range	AWG	24 - 6
Connection capacity		
1 conductor	[mm ²]	0.2 - 10
Two stranded conductors with a TWIN ferrule	[mm ²]	0.25 - 10
General data		
Stripping length	[mm]	15
Insulating material		PA
Inflammability class according to UL 94		V0

Technical data				
Width	Length	Height NS 35/7,5		
10.2	97	50.3		
I _{max} [A]	U _{max} [V]	max. Ø [mm ²]	AWG	
70 ¹⁾	1000	0.2 - 16	24 - 6	
IEC 60947-7-1				
IEC	UL/CUL	CSA	IEC/EN 60079-7	
Connection capacity		Ferrule		
		Without / with plastic sleeve		
0.2 - 16	0.2 - 10	0.25 - 10	0.25 - 10	
		1.5 - 2.5		

Description	No. of pos.	Color
Terminal block, for mounting on NS 35...		gray blue

Ordering data			
Type	I _{max}	Order No.	Pcs. / Pkt.
ST 10-TWIN		3035288	25
ST 10-TWIN BU		3035292	25

Cover, width 2.2 mm		gray
Plug-in bridge		
Reducing bridge ²⁾	2	red
	2	red
Test plug metal part, 2.3 mm Ø		
Insulating sleeve, for MPS metal part		red
Warning cover, for actuation shafts, 5-pos.		yellow
Screwdriver		

Accessories		
D-ST 10-TWIN	Order No.	Pcs.
	3035315	50
FBS 2-10	57 A	3005947
		10
RB ST 10-(2,5/4)		3030873
		10
MPS-MT		0201744
		10
MPS-IH RD		0201676
		10
WST 10/35		3030006
		25
SZF 3-1,0X5,5		1206612
		10

Center groove labeling	
Center and lateral groove labeling	

UC-TM 10, UCT-TM 10 or ZB 10 (see Catalog 5)
UC-TMF 10, UCT-TMF 10 or ZBF 10 (see Catalog 5)



16 (25) mm², 90 A, feed-through terminal block, 3 connections



Technical data

Width	Length	Height NS 35/7,5	
12.2	107.8	51.5	
I_{max} [A]	U_{max} [V]	max. Ø [mm ²]	AWG
90*)	1000	0.2 - 25	24 - 4
IEC 60947-7-1			
IEC	UL/CUL	CSA	IEC/ EN 60079-7
1000	600	-	-
76*) / 16	75 / -	-	-
16	-	-	-
24 - 4	16-4	-	-
solid	stranded	Ferrule	
		Without / with plastic sleeve	
0.2 - 25	0.2 - 16	0.25 - 16	0.25 - 16 1.5 - 4

16
PA
V0

Ordering data

Type	I_{max}	Order No.	Pcs. / Pkt.
ST 16-TWIN		3035328	25
ST 16-TWIN BU		3035331	25

Accessories

D-ST 16-TWIN		3035357	50
FBS 2-12	76 A	3005950	10
RB ST 16-(2,5/4)		3030886	10
MPS-MT		0201744	10
MPS-IH RD		0201676	10
WST 10/35		3030006	25
SZF 3-1,0X5,5		1206612	10

UC-TM 12, UCT-TM 12 or ZB 12
(see Catalog 5)
UC-TMF 12, UCT-TMF 12 or ZBF 12
(see Catalog 5)

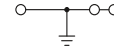
ST spring-cage connection terminal blocks

ST ...-TWIN-PE ground terminal blocks with 3 connections



- Same shape and pitch as the feed-through terminal blocks
- Contact is made free from mechanical and electrical errors by simply snapping onto the DIN rail
- ST ...-TWIN-PE fulfill all requirements of the IEC 60947-7-2 standard
These are in particular:
 - Low contact resistance
 - Corrosion-proof terminal points
 - Green-yellow housing
 - Additional options for marking

Notes:
For current carrying capacity of DIN rails, see page 716.
1) For installation notes on the use of accessories for Ex e applications, see page 710.



1.5 (1.5) mm², ground terminal block, 3 connections

Ex: KEMA 01ATEX2129 U / IECEx KEM 06.0043U

Dimensions		[mm]	
Max. electrical data			
Rated data			
Rated voltage	[V]	-	-
Nominal current / cross section	[A] / [mm ²]	-	-
Rated cross section	[mm ²]	1.5	1.5
Cross section range	AWG	28 - 16	28 - 16
Connection capacity			
1 conductor	[mm ²]	0.08 - 1.5	0.08 - 1.5
Two stranded conductors with a TWIN ferrule	[mm ²]	0.08 - 1.5	0.14 - 1.5
General data			
Stripping length	[mm]	10	10
Insulating material		PA	PA
Inflammability class according to UL 94		V0	V0

Technical data			
Width	Length	Height NS 35/7,5	
4.2	60.5	36.5	
		max. Ø [mm ²]	AWG
		0.08 - 1.5	28 - 16
IEC 60947-7-2			
IEC	UL/CUL	CSA	IEC/EN 60079-7
-	-	-	Ex
Ferrule			
		Without / with plastic sleeve	
		0.14 - 1.5	0.14 - 1.5
		0.5	

Description	No. of pos.	Color
Ground terminal block, for mounting on NS 35...		green-yellow

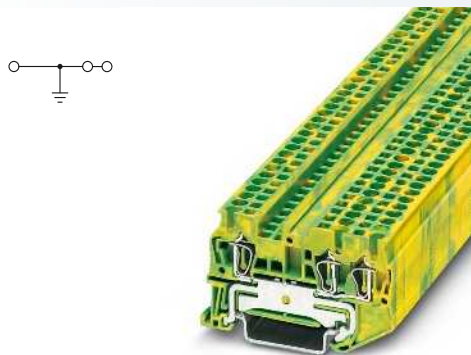
Ordering data		
Type	Order No.	Pcs. / Pkt.
ST 1,5-TWIN-PE	3031144	50

Cover, width 2.2 mm		gray
Cover, 0.8 mm width		orange
End cover segment, for covering multi-conductor terminal blocks when two-conductor terminal blocks are aligned		gray
Insulation stop sleeve, cross section range:		
0.08 - 0.2 mm ²		white
0.25 - 0.5 mm ²		gray
0.75 - 1 mm ²		black
Plug-in bridge		
	2	red
	3	red
	4	red
	5	red
	10	red
Test plug metal part, 2.3 mm Ø		
Insulating sleeve, for MPS metal part		red
Modular test plug, for the individual assembly of test plug strips		red
Warning cover, for ST series		yellow
Screwdriver		

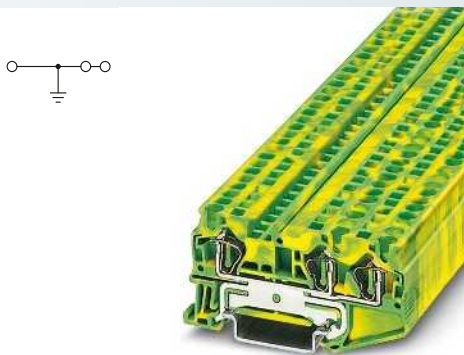
Accessories ¹⁾		
D-ST 2,5-TWIN	3030488	50
D-ST 2,5-TWIN-0,8 OG	3030512	50
DS-ST 2,5	3036602	10
ISH 1,5/0,2	3206131	50
ISH 1,5/0,5	3031034	50
WST 1,5	3030958	50
SZF 0-0,4X2,5	1204504	10

Center groove labeling
Center and lateral groove labeling

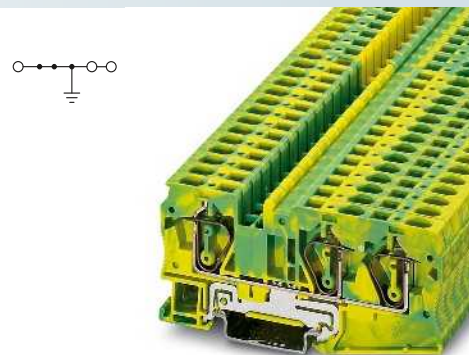
UC-TM 4, UCT-TM 4 or ZB 4 (see Catalog 5)
UC-TMF 4, UCT-TMF 4 or ZBF 4 (see Catalog 5)



2.5 (4) mm², ground terminal block,
3 connections



4 (6) mm², ground terminal block,
3 connections



6 (10) mm², ground terminal block,
3 connections



Ex:
KEMA 00ATEX2052U / IECEx KEM 06.0051U



Ex:
KEMA 00ATEX2129U / IECEx KEM 06.0050U



Ex:
KEMA 00ATEX2129U / IECEx KEM 06.0050U

Technical data			
Width	Length	Height NS 35/7,5	
5.2	60.5	36.5	
		max. Ø [mm ²]	AWG
		0.08 - 4	28 - 12
IEC 60947-7-2			
IEC	UL/CUL	CSA	IEC/ EN 60079-7
-	-	-	-
-	-/-	-	-
2.5	-	-	2.5
28 - 12	28-12	28-12	28 - 12
solid	stranded	Ferrule	
		Without / with plastic sleeve	
0.08 - 4	0.08 - 2.5	0.14 - 2.5	0.14 - 2.5 0.5
10			
PA			
V0			

Technical data			
Width	Length	Height NS 35/7,5	
6.2	71.5	36.5	
		max. Ø [mm ²]	AWG
		0.08 - 6	28 - 10
IEC 60947-7-2			
IEC	UL/CUL	CSA	IEC/ EN 60079-7
-	-	-	-
-	-/-	-	-
4	-	-	4
28 - 10	28-10	28-10	28 - 10
solid	stranded	Ferrule	
		Without / with plastic sleeve	
0.08 - 6	0.08 - 4	0.14 - 4	0.14 - 4 0.5 - 1
10			
PA			
V0			

Technical data			
Width	Length	Height NS 35/7,5	
8.2	90.5	43.5	
		max. Ø [mm ²]	AWG
		0.2 - 10	24 - 8
IEC 60947-7-2			
IEC	UL/CUL	CSA	IEC/ EN 60079-7
-	-	-	-
-	-/-	-	-
6	-	-	6
24 - 8	24-8	24-8	24 - 8
solid	stranded	Ferrule	
		Without / with plastic sleeve	
0.2 - 10	0.2 - 6	0.25 - 6	0.25 - 6 0.5 - 1.5
12			
PA			
V0			

Ordering data		
Type	Order No.	Pcs. / Pkt.
ST 2,5-TWIN-PE	3031267	50

Ordering data		
Type	Order No.	Pcs. / Pkt.
ST 4-TWIN-PE	3031416	50

Ordering data		
Type	Order No.	Pcs. / Pkt.
ST 6-TWIN-PE	3036482	50

Accessories ¹⁾		
D-ST 2,5-TWIN	3030488	50
D-ST 2,5-TWIN-0,8 OG	3030512	50
DS-ST 2,5	3036602	10
ISH 2,5/0,2	3002843	50
ISH 2,5/0,5	3002856	50
ISH 2,5/1,0	3002869	50
WST 2,5	3030941	50
SZF 1-0,6X3,5	1204517	10

Accessories ¹⁾		
D-ST 4-TWIN	3030491	50
DS-ST 4	3036615	10
ISH 4/0,5	3002885	50
ISH 4/1,0	3002898	50
WST 4	3030954	50
SZF 1-0,6X3,5	1204517	10

Accessories ¹⁾		
D-ST 6-TWIN	3036767	50
FBS 2-8	3030284	10
FBS 3-8	3030297	10
FBS 4-8	3030307	10
FBS 5-8	3030310	10
FBS 10-8	3030323	10
MPS-MT	0201744	10
MPS-IH RD	0201676	10
PS-8	3031005	10
WST 6	3030967	10
SZF 2-0,8X4,0	1204520	10

UC-TM 5, UCT-TM 5 or ZB 5
(see Catalog 5)
UC-TMF 5, UCT-TMF 5 or ZBF 5
(see Catalog 5)

UC-TM 6, UCT-TM 6 or ZB 6
(see Catalog 5)
UC-TMF 6, UCT-TMF 6 or ZBF 6
(see Catalog 5)

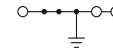
UC-TM 8, UCT-TM 8 or ZB 8
(see Catalog 5)
UC-TMF 8, UCT-TMF 8 or ZBF 8
(see Catalog 5)

ST spring-cage connection terminal blocks

ST ...-TWIN-PE ground terminal blocks with 3 connections

- Same shape and pitch as the feed-through terminal blocks
- Contact is made free from mechanical and electrical errors by simply snapping onto the DIN rail
- ST ...-TWIN-PE fulfill all requirements of the IEC 60947-7-2 standard
These are in particular:
 - Low contact resistance
 - Corrosion-proof terminal points
 - Green-yellow housing
 - Additional options for marking

Notes:
For current carrying capacity of DIN rails, see page 716.
1) The total current of all connected conductors must not exceed the max. load current.



10 (16) mm², 70 A, ground terminal block, 3 connections



Dimensions	
	[mm]
Max. electrical data	
Rated data	
Rated voltage	[V]
Nominal current / cross section	[A] / [mm ²]
Rated cross section	[mm ²]
Cross section range	AWG
Connection capacity	
1 conductor	[mm ²]
Two stranded conductors with a TWIN ferrule	[mm ²]
General data	
Stripping length	[mm]
Insulating material	
Inflammability class according to UL 94	

Technical data			
Width	Length	Height NS 35/7,5	
10.2	97	50.3	
I _{max} [A]		max. Ø [mm ²]	AWG
70 ¹⁾		0.2 - 16	24 - 6
IEC 60947-7-2			
IEC	UL/CUL	CSA	IEC/EN 60079-7
-	-	-	-
57 ¹⁾ / 10	- / -	-	-
10	-	-	-
24 - 6	16-6	-	-
Connection capacity		Ferrule	
	solid	Without / with plastic sleeve	
1 conductor	0.2 - 16	0.25 - 10	0.25 - 10
Two stranded conductors with a TWIN ferrule	0.2 - 10	1.5 - 2.5	
Stripping length	15		
Insulating material	PA		
Inflammability class according to UL 94	V0		

Description	No. of pos.	Color
Ground terminal block, for mounting on NS 35...		green-yellow

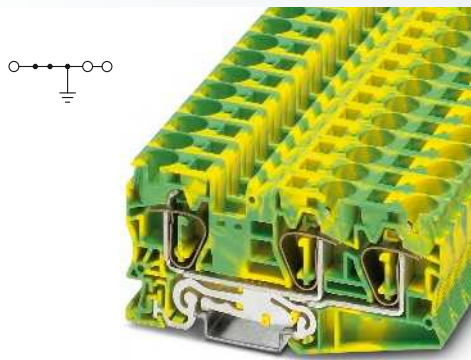
Ordering data			
Type	I _{max}	Order No.	Pcs. / Pkt.
ST 10-TWIN-PE		3035302	25

Accessories		
Cover, width 2.2 mm		gray
Plug-in bridge	2	red
Test plug metal part, 2.3 mm Ø		red
Insulating sleeve, for MPS metal part		red
Warning cover, for actuation shafts, 5-pos.		yellow

Accessories			
Type	I _{max}	Order No.	Pcs. / Pkt.
D-ST 10-TWIN		3035315	50
FBS 2-10	57 A	3005947	10
MPS-MT		0201744	10
MPS-IH RD		0201676	10
WST 10/35		3030006	25
Screwdriver		SZF 3-1,0X5,5	1206612

Center groove labeling	
Center and lateral groove labeling	

UC-TM 10, UCT-TM 10 or ZB 10 (see Catalog 5)
UC-TMF 10, UCT-TMF 10 or ZBF 10 (see Catalog 5)



16 (25) mm², 90 A, ground terminal block,
3 connections



Technical data

Width	Length	Height NS 35/7,5	
12.2	107.8	51.5	
I_{max} [A]		max. Ø [mm ²]	AWG
90*)		0.2 - 25	24 - 4
IEC 60947-7-2			
IEC	UL/CUL	CSA	IEC/ EN 60079-7
-	-	-	-
76*) / 16	- / -	-	-
16	-	-	-
24 - 4	16-4	-	-
solid	stranded	Ferrule	
		Without / with plastic sleeve	
0.2 - 25	0.2 - 16	0.25 - 16	0.25 - 16 1.5 - 4

16
PA
V0

Ordering data

Type	I_{max}	Order No.	Pcs. / Pkt.
ST 16-TWIN-PE		3035344	25

Accessories

D-ST 16-TWIN		3035357	50
FBS 2-12	76 A	3005950	10
MPS-MT		0201744	10
MPS-IH RD		0201676	10
WST 10/35		3030006	25
SZF 3-1,0X5,5		1206612	10

UC-TM 12, UCT-TM 12 or ZB 12
(see Catalog 5)
UC-TMF 12, UCT-TMF 12 or ZBF 12
(see Catalog 5)

Modular terminal blocks - CLIPLINE complete

ST spring-cage connection terminal blocks

ST ...-QUATTRO feed-through terminal blocks with 4 connections

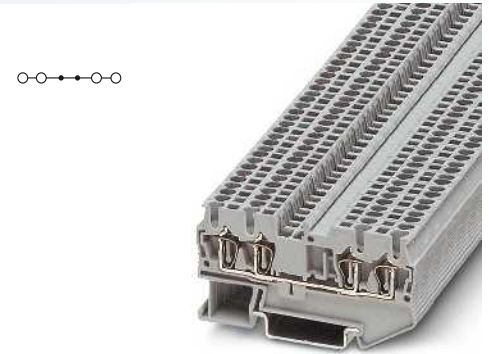


- Compact potential distributors, the double connection allows four conductors to be connected on one potential
- Cross connection to any number of terminal blocks with the FBS ... continuous plug-in bridge system

End cover segments

- If two-conductor terminal blocks are aligned on three or four-conductor terminal blocks, cover segments cover protruding parts
- Fingers are protected from contact

Notes:
1) The total current of all connected conductors must not exceed the max. load current.
2) For installation notes on the use of accessories for Ex e applications, see page 710.
3) The reducing bridge table should be followed, see page 476.



1.5 (1.5) mm², 17.5 A, feed-through terminal block, 4 connections



Dimensions		[mm]	
Max. electrical data			
Rated voltage [V]			
Nominal current / cross section [A] / [mm ²]			
Rated data			
Rated cross section [mm ²]			
Cross section range AWG			
Connection capacity			
1 conductor [mm ²]			
Two stranded conductors with a TWIN ferrule [mm ²]			
General data			
Stripping length [mm]			
Insulating material			
Inflammability class according to UL 94			

Technical data				
Width	Length	Height NS 35/7,5		
3.5	72	32		
I _{max} [A]	U _{max} [V]	max. Ø [mm ²]	AWG	
17.5 ¹⁾	500	0.08 - 1.5	28 - 16	
IEC 60947-7-1				
IEC	UL/CUL	CSA	IEC/EN 60079-7	
500	10	600	-	
17.5 ¹⁾ / 1.5	600 / -	10 / -	-	
Rated cross section [mm ²]				
Cross section range AWG				
1.5	-	-	-	
28 - 16	28-16	28-16	-	
Connection capacity				
solid				
stranded				
Ferrule				
Without / with plastic sleeve				
0.08 - 1.5	0.08 - 1.5	0.14 - 1.5	0.14 - 1	
8				
PA				
V0				

Description	No. of pos.	Color
Terminal block, for mounting on NS 35...		gray blue

Cover, width 2.2 mm		gray
Cover, 0.8 mm width		orange
End cover segment, for covering multi-conductor terminal blocks when two-conductor terminal blocks are aligned		gray
Insulation stop sleeve, cross section range:		
0.08 - 0.2 mm ²		white
0.25 - 0.5 mm ²		gray
0.75 - 1 mm ²		black
Plug-in bridge		
	2	red
	3	red
	4	red
	5	red
	10	red
	20	red

Reducing bridge³⁾		
	2	red
Partition plate, 2 mm width		gray
Test plug metal part, 2.3 mm Ø		
Insulating sleeve, for MPS metal part		red
Modular test plug, for the individual assembly of test plug strips		red
Warning cover, for ST series		
		yellow
Screwdriver		

Ordering data			
Type	I _{max}	Order No.	Pcs. / Pkt.
ST 1,5/S-QUATTRO		3213124	50

Accessories ²⁾			
D-ST 1,5/S-QUATTRO		3213166	50

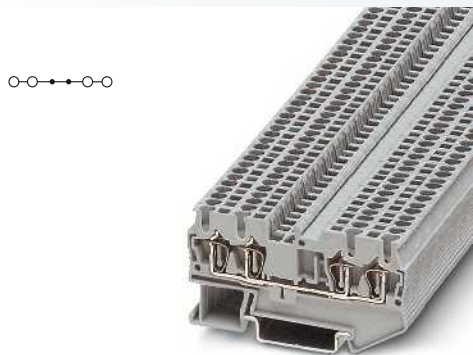
FBS 2-3,5	17.5 A	3213014	50
FBS 3-3,5	17.5 A	3213027	50
FBS 4-3,5	17.5 A	3213030	50
FBS 5-3,5	17.5 A	3213043	50
FBS 10-3,5	17.5 A	3213056	50
Reducing bridge³⁾			
RB ST (2,5/4)-1,5/S		3214356	10
ATP-ST QUATTRO		3030815	50
Warning cover, for ST series			
Screwdriver			
SZF 0-0,4X2,5		1204504	10



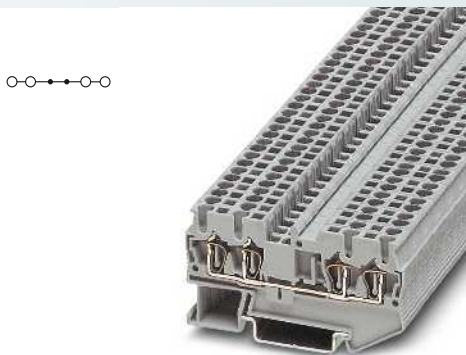
Center groove labeling	
Center and lateral groove labeling	

UCT-TM 3,5 or ZB 3,5 (see Catalog 5)	
UCT-TMF 3,5 or ZBF 3,5 (see Catalog 5)	

ST spring-cage connection terminal blocks



1.5 (1.5) mm², 17.5 A, feed-through terminal block, 4 connections



2.5 (4) mm², 28 A, feed-through terminal block, 4 connections



4 (6) mm², 40 A, feed-through terminal block, 4 connections



Ex: KEMA 01ATEX2129 U / IECEx KEM 06.0043U



Ex: KEMA 00ATEX2052U / IECEx KEM 06.0051U



Ex: KEMA 00ATEX2129U / IECEx KEM 06.0050U

Technical data			
Width	Length	Height NS 35/7,5	
4.2	72	36.5	
I _{max} [A]	U _{max} [V]	max. Ø [mm ²]	AWG
17.5 ¹⁾	500	0.08 - 1.5	28 - 16
IEC 60947-7-1			
IEC	UL/CUL	CSA	IEC/EN 60079-7
500	300	300	440
17.5 ¹⁾ / 1.5	15 / -	15 / -	17.5 / 1.5 // 17.5 / 1.5
1.5	-	-	1.5
28 - 16	26-14	26-14	28 - 16
solid	stranded	Ferrule Without / with plastic sleeve	
0.08 - 1.5	0.08 - 1.5	0.14 - 1.5	0.14 - 1.5
0.5			
10	PA	V0	

Technical data			
Width	Length	Height NS 35/7,5	
5.2	72	36.5	
I _{max} [A]	U _{max} [V]	max. Ø [mm ²]	AWG
28 ¹⁾	800	0.08 - 4	28 - 12
IEC 60947-7-1			
IEC	UL/CUL	CSA	IEC/EN 60079-7
800	600	600	550
24 ¹⁾ / 2.5	20 / -	20 / -	22 / 2.5 // 26 / 4
2.5	-	-	2.5
28 - 12	28-12	28-12	28 - 12
solid	stranded	Ferrule Without / with plastic sleeve	
0.08 - 4	0.08 - 2.5	0.14 - 2.5	0.14 - 2.5
0.5			
10	PA	V0	

Technical data			
Width	Length	Height NS 35/7,5	
6.2	87	36.5	
I _{max} [A]	U _{max} [V]	max. Ø [mm ²]	AWG
40 ¹⁾	800	0.08 - 6	28 - 10
IEC 60947-7-1			
IEC	UL/CUL	CSA	IEC/EN 60079-7
800	600	600	550
32 ¹⁾ / 4	30 / -	30 / -	28.5 / 4 // 34.5 / 6
4	-	-	4
28 - 10	28-10	28-10	28 - 10
solid	stranded	Ferrule Without / with plastic sleeve	
0.08 - 6	0.08 - 4	0.14 - 4	0.14 - 4
0.5 - 1			
10	PA	V0	

Ordering data			
Type	I _{max}	Order No.	Pcs. / Pkt.
ST 1,5-QUATTRO		3031186	50
ST 1,5-QUATTRO BU		3031199	50

Ordering data			
Type	I _{max}	Order No.	Pcs. / Pkt.
ST 2,5-QUATTRO		3031306	50
ST 2,5-QUATTRO BU		3031319	50

Ordering data			
Type	I _{max}	Order No.	Pcs. / Pkt.
ST 4-QUATTRO		3031445	50
ST 4-QUATTRO BU		3031458	50

Accessories ²⁾			
D-ST 2,5-QUATTRO		3030514	50
D-ST 2,5-QUATTRO-0,8 OG		3030513	50
DS-ST 2,5		3036602	10

Accessories ²⁾			
D-ST 2,5-QUATTRO		3030514	50
D-ST 2,5-QUATTRO-0,8 OG		3030513	50
DS-ST 2,5		3036602	10

Accessories ²⁾			
D-ST 4-QUATTRO		3030527	50
DS-ST 4		3036615	10

ISH 1,5/0,2		3206131	50
ISH 1,5/0,5		3031034	50
FBS 2-4	17.5 A	3030116	50
FBS 3-4	17.5 A	3030129	50
FBS 4-4	17.5 A	3030132	50
FBS 5-4	17.5 A	3030145	50
FBS 10-4	17.5 A	3030158	10
FBS 20-4	17.5 A	3030352	10

ISH 2,5/0,2		3002843	50
ISH 2,5/0,5		3002856	50
ISH 2,5/1,0		3002869	50
FBS 2-5	24 A	3030161	50
FBS 3-5	24 A	3030174	50
FBS 4-5	24 A	3030187	50
FBS 5-5	24 A	3030190	50
FBS 10-5	24 A	3030213	10
FBS 20-5	24 A	3030226	10

ISH 4/0,5		3002885	50
ISH 4/1,0		3002898	50
FBS 2-6	32 A	3030336	50
FBS 3-6	32 A	3030242	50
FBS 4-6	32 A	3030255	50
FBS 5-6	32 A	3030349	50
FBS 10-6	32 A	3030271	10
FBS 20-6	32 A	3030365	10

ATP-ST QUATTRO		3030815	50
PS-4		3030970	10
WST 1,5		3030958	50
SZF 0-0,4X2,5		1204504	10

RB ST (2,5/4)-1,5		3038943	10
ATP-ST QUATTRO		3030815	50
MPS-MT		0201744	10
MPS-IH RD		0201676	10
PS-5		3030983	10
WST 2,5		3030941	50
SZF 1-0,6X3,5		1204517	10

RB ST (2,5/4)-1,5		3038943	10
ATP-ST QUATTRO		3030815	50
MPS-MT		0201744	10
MPS-IH RD		0201676	10
PS-6		3030996	10
WST 4		3030954	50
SZF 1-0,6X3,5		1204517	10

UC-TM 4, UCT-TM 4 or ZB 4 (see Catalog 5)
UC-TMF 4, UCT-TMF 4 or ZBF 4 (see Catalog 5)

UC-TM 5, UCT-TM 5 or ZB 5 (see Catalog 5)
UC-TMF 5, UCT-TMF 5 or ZBF 5 (see Catalog 5)

UC-TM 6, UCT-TM 6 or ZB 6 (see Catalog 5)
UC-TMF 6, UCT-TMF 6 or ZBF 6 (see Catalog 5)

ST spring-cage connection terminal blocks

ST ...QUATTRO-U feed-through terminal blocks, 4 connections, with split power rail



- These four-conductor spring-cage terminal blocks are characterized by the interrupted power rail in the terminal center.
- This produces two feed-through terminal blocks on one level where one side of the terminal block can be bridged using FBS ... plug-in bridges.
- Double marker carriers can be used for clear marking of the feed-through levels.

Notes:
For suitable double marker carriers, see page 484.
1) The total current of all connected conductors must not exceed the max. load current.
2) The reducing bridge table should be followed, see page 476.



1.5 (1.5) mm², 17.5 A, feed-through terminal block, 4 connections, with split power rail



Dimensions		[mm]
Max. electrical data		
Rated data		
Rated voltage	[V]	500
Nominal current / cross section	[A] / [mm ²]	17.5* / 1.5
Rated cross section	[mm ²]	1.5
Cross section range	AWG	28 - 16
Connection capacity		
1 conductor	[mm ²]	0.08 - 1.5
Two stranded conductors with a TWIN ferrule	[mm ²]	0.08 - 1.5
General data		
Stripping length	[mm]	10
Insulating material		PA
Inflammability class according to UL 94		V0

Technical data				
Width	Length	Height NS 35/7,5		
4.2	72	36.5		
I _{max} [A]	U _{max} [V]	max. Ø [mm ²]	AWG	
17.5*	500	0.08 - 1.5	28 - 16	
IEC 60947-7-1				
IEC	UL/CUL	CSA	IEC/EN 60079-7	
500	300	-	-	
17.5* / 1.5	15 / -	-	-	
1.5	-	-	-	
28 - 16	26-14	-	-	
solid		stranded		Ferrule
				Without / with plastic sleeve
0.08 - 1.5	0.08 - 1.5	0.14 - 1.5	0.14 - 1.5	
				0.5

Description	No. of pos.	Color
Terminal block, with interrupted current bar, bridgeable on one side, for mounting on NS 35...		gray

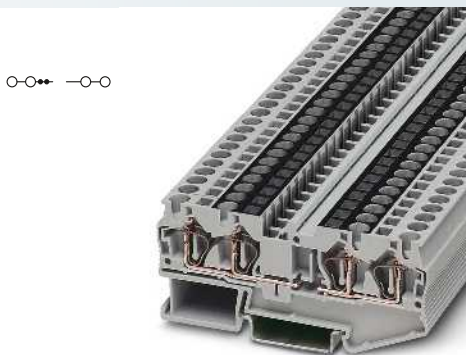
Ordering data			
Type	I _{max}	Order No.	Pcs. / Pkt.
ST 1,5-QUATTRO-U		3038600	50

Cover, width 2.2 mm		gray
Cover, 0.8 mm width		orange
End cover segment, for covering multi-conductor terminal blocks when two-conductor terminal blocks are aligned		gray
Insulation stop sleeve, cross section range:		
0.08 - 0.2 mm ²		white
0.25 - 0.5 mm ²		gray
0.75 - 1 mm ²		black
Plug-in bridge		
	2	red
	3	red
	4	red
	5	red
	10	red
	20	red
Reducing bridge ²⁾		
	2	red
Partition plate, 2 mm width		gray
Test plug metal part, 2.3 mm Ø		
Insulating sleeve, for MPS metal part		red
Modular test plug, for the individual assembly of test plug strips		red
Warning cover, for ST series		yellow
Screwdriver		

Accessories			
D-ST 2,5-QUATTRO		3030514	50
D-ST 2,5-QUATTRO-0,8 OG		3030513	50
DS-ST 2,5		3036602	10
ISH 1,5/0,2		3206131	50
ISH 1,5/0,5		3031034	50
FBS 2-4	17.5 A	3030116	50
FBS 3-4	17.5 A	3030129	50
FBS 4-4	17.5 A	3030132	50
FBS 5-4	17.5 A	3030145	50
FBS 10-4	17.5 A	3030158	10
FBS 20-4	17.5 A	3030352	10
ATP-ST QUATTRO		3030815	50
PS-4		3030970	10
WST 1,5		3030958	50
SZF 0-0,4X2,5		1204504	10

Center groove labeling
Center and lateral groove labeling

UC-TM 4, UCT-TM 4 or ZB 4 (see Catalog 5)
UC-TMF 4, UCT-TMF 4 or ZBF 4 (see Catalog 5)



2.5 (4) mm², 28 A, feed-through terminal block, 4 connections, with split power rail

4 (6) mm², 37 A, feed-through terminal block, 4 connections, with split power rail



Technical data			
Width	Length	Height NS 35/7,5	
5.2	72	36.5	
I_{max} [A]	U_{max} [V]	max. Ø [mm ²]	AWG
28 ¹⁾	800	0.08 - 4	28 - 12
IEC 60947-7-1			
IEC	UL/CUL	CSA	IEC/EN 60079-7
800	600	600	-
22 ¹⁾ / 2.5	20 / -	20 / -	-
2.5	-	-	-
28 - 12	28-12	28-12	-
solid	stranded	Ferrule	
Without / with plastic sleeve			
0.08 - 4	0.08 - 2.5	0.14 - 2.5	0.14 - 2.5
0.5			
10	PA	V0	

Technical data			
Width	Length	Height NS 35/7,5	
6.2	87	36.5	
I_{max} [A]	U_{max} [V]	max. Ø [mm ²]	AWG
37 ¹⁾	800	0.08 - 6	28 - 10
IEC 60947-7-1			
IEC	UL/CUL	CSA	IEC/EN 60079-7
800	600	-	-
28 ¹⁾ / 4	30 / -	-	-
4	-	-	-
28 - 10	28-10	-	-
solid	stranded	Ferrule	
Without / with plastic sleeve			
0.08 - 6	0.08 - 4	0.14 - 4	0.14 - 4
0.5 - 1			
10	PA	V0	

Ordering data			
Type	I_{max}	Order No.	Pcs. / Pkt.
ST 2,5-QUATTRO-U		3031636	50

Ordering data			
Type	I_{max}	Order No.	Pcs. / Pkt.
ST 4-QUATTRO-U		3038639	50

Accessories			
D-ST 2,5-QUATTRO		3030514	50
D-ST 2,5-QUATTRO-0,8 OG		3030513	50
DS-ST 2,5		3036602	10
ISH 2,5/0,2		3002843	50
ISH 2,5/0,5		3002856	50
ISH 2,5/1,0		3002869	50
FBS 2-5	24 A	3030161	50
FBS 3-5	24 A	3030174	50
FBS 4-5	24 A	3030187	50
FBS 5-5	24 A	3030190	50
FBS 10-5	24 A	3030213	10
FBS 20-5	24 A	3030226	10
RB ST (2,5/4)-1,5		3038943	10
ATP-ST QUATTRO		3030815	50
MPS-MT		0201744	10
MPS-IH RD		0201676	10
PS-5		3030983	10
WST 2,5		3030941	50
SZF 1-0,6X3,5		1204517	10

Accessories			
D-ST 4-QUATTRO		3030527	50
DS-ST 4		3036615	10
ISH 4/0,5		3002885	50
ISH 4/1,0		3002898	50
FBS 2-6	32 A	3030336	50
FBS 3-6	32 A	3030242	50
FBS 4-6	32 A	3030255	50
FBS 5-6	32 A	3030349	50
FBS 10-6	32 A	3030271	10
FBS 20-6	32 A	3030365	10
RB ST (2,5/4)-1,5		3038943	10
ATP-ST QUATTRO		3030815	50
MPS-MT		0201744	10
MPS-IH RD		0201676	10
PS-6		3030996	10
WST 4		3030954	50
SZF 1-0,6X3,5		1204517	10

UC-TM 5, UCT-TM 5 or ZB 5
(see Catalog 5)
UC-TMF 5, UCT-TMF 5 or ZBF 5
(see Catalog 5)

UC-TM 6, UCT-TM 6 or ZB 6
(see Catalog 5)
UC-TMF 6, UCT-TMF 6 or ZBF 6
(see Catalog 5)

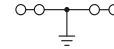
ST spring-cage connection terminal blocks

ST ...-QUATTRO-PE ground terminal blocks with 4 connections



- Same shape and pitch as the feed-through terminal blocks
- Contact is made free from mechanical and electrical errors by simply snapping onto the DIN rail
- ST ...-QUATTRO-PE fulfill all requirements of the IEC 60947-7-2 standard
- These are in particular:
 - Low contact resistance
 - Corrosion-proof terminal points
 - Green-yellow housing
 - Additional options for marking

Notes:
 For current carrying capacity of DIN rails, see page 716.
 1) For installation notes on the use of accessories for Ex e applications, see page 710.



1.5 (1.5) mm², ground terminal block, 4 connections

Ex: KEMA 01ATEX2129 U / IECEx KEM 06.0043U

Dimensions		[mm]	
Max. electrical data			
Rated data			
Rated voltage	[V]	-	-
Nominal current / cross section	[A] / [mm ²]	- / -	-
Rated cross section	[mm ²]	1.5	1.5
Cross section range	AWG	28 - 16	28 - 16
Connection capacity			
1 conductor	[mm ²]	0.08 - 1.5	0.08 - 1.5
Two stranded conductors with a TWIN ferrule	[mm ²]	0.08 - 1.5	0.14 - 1.5
General data			
Stripping length	[mm]	10	10
Insulating material		PA	PA
Inflammability class according to UL 94		V0	V0

Technical data			
Width	Length	Height NS 35/7,5	
4.2	72	36.5	
		max. Ø [mm ²]	AWG
		0.08 - 1.5	28 - 16
IEC 60947-7-2			
IEC	UL/CUL	CSA	IEC/EN 60079-7
		Ferrule	
		Without / with plastic sleeve	
		0.14 - 1.5	0.14 - 1.5
		0.5	

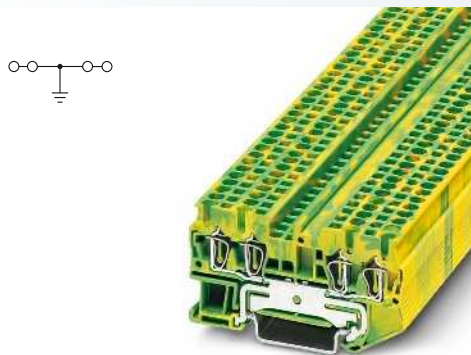
Description	Color
Ground terminal block , for mounting on NS 35...	green-yellow

Ordering data		
Type	Order No.	Pcs. / Pkt.
ST 1,5-QUATTRO-PE	3031209	50

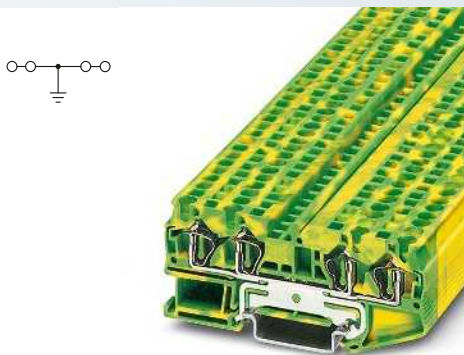
Cover , width 2.2 mm	gray
Cover , 0.8 mm width	orange
End cover segment , for covering multi-conductor terminal blocks when two-conductor terminal blocks are aligned	gray
Insulation stop sleeve , cross section range:	
0.08 - 0.2 mm ²	white
0.25 - 0.5 mm ²	gray
0.75 - 1 mm ²	black
Warning cover , for ST series	yellow
Screwdriver	

Accessories ¹⁾		
Type	Order No.	Pcs. / Pkt.
D-ST 2,5-QUATTRO	3030514	50
D-ST 2,5-QUATTRO-0,8 OG	3030513	50
DS-ST 2,5	3036602	10
ISH 1,5/0,2	3206131	50
ISH 1,5/0,5	3031034	50
WST 1,5	3030958	50
SZF 0-0,4X2,5	1204504	10

Center groove labeling	UC-TM 4, UCT-TM 4 or ZB 4 (see Catalog 5)
Center and lateral groove labeling	UC-TMF 4, UCT-TMF 4 or ZBF 4 (see Catalog 5)



**2.5 (4) mm², ground terminal block,
4 connections**



**4 (6) mm², ground terminal block,
4 connections**



Ex:
KEMA 00ATEX2052U / IECEx KEM 06.0051U



Ex:
KEMA 00ATEX2129U / IECEx KEM 06.0050U

Technical data			
Width	Length	Height NS 35/7,5	
5.2	72	36.5	
		max. Ø [mm ²]	AWG
		0.08 - 4	28 - 12
IEC 60947-7-2			
IEC	UL/CUL	CSA	IEC/ EN 60079-7
-	-	-	-
-	-/-	-	-
2.5	-	-	2.5
28 - 12	28-12	28-12	28 - 12
solid	stranded	Ferrule	
		Without / with plastic sleeve	
0.08 - 4	0.08 - 2.5	0.14 - 2.5	0.14 - 2.5 0.5
10			
PA			
V0			

Technical data			
Width	Length	Height NS 35/7,5	
6.2	87	36.5	
		max. Ø [mm ²]	AWG
		0.08 - 6	28 - 10
IEC 60947-7-2			
IEC	UL/CUL	CSA	IEC/ EN 60079-7
-	-	-	-
-	-/-	-	-
4	-	-	4
28 - 10	28-10	28-10	28 - 10
solid	stranded	Ferrule	
		Without / with plastic sleeve	
0.08 - 6	0.08 - 4	0.14 - 4	0.14 - 4 0.5 - 1
10			
PA			
V0			

Ordering data		
Type	Order No.	Pcs. / Pkt.
ST 2,5-QUATTRO-PE	3031322	50

Ordering data		
Type	Order No.	Pcs. / Pkt.
ST 4-QUATTRO-PE	3031461	50

Accessories ¹⁾		
D-ST 2,5-QUATTRO	3030514	50
D-ST 2,5-QUATTRO-0,8 OG	3030513	50
DS-ST 2,5	3036602	10
ISH 2,5/0,2	3002843	50
ISH 2,5/0,5	3002856	50
ISH 2,5/1,0	3002869	50
WST 2,5	3030941	50
SZF 1-0,6X3,5	1204517	10

Accessories ¹⁾		
D-ST 4-QUATTRO	3030527	50
DS-ST 4	3036615	10
ISH 4/0,5	3002885	50
ISH 4/1,0	3002898	50
WST 4	3030954	50
SZF 1-0,6X3,5	1204517	10

UC-TM 5, UCT-TM 5 or ZB 5
(see Catalog 5)
UC-TMF 5, UCT-TMF 5 or ZBF 5
(see Catalog 5)

UC-TM 6, UCT-TM 6 or ZB 6
(see Catalog 5)
UC-TMF 6, UCT-TMF 6 or ZBF 6
(see Catalog 5)

ST spring-cage connection terminal blocks

STTB ... double-level terminal blocks



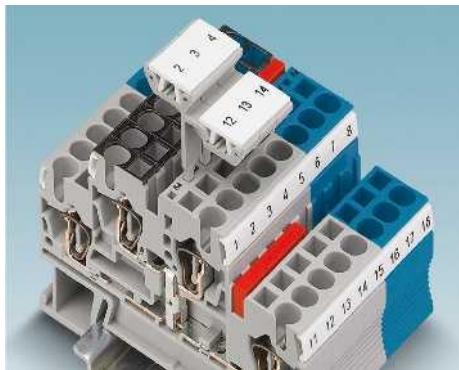
- Compact design for maximum space saving
- Design width of 4.2 mm, 5.2 mm or 6.2 mm
- Integrated labeling areas on every terminal point
- Optional, large labeling option using STP... double marker carriers

STTB ...-PV potential distributor terminals

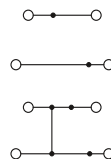
- With the **STTB ...-PV** double-level spring-cage terminal block version, both levels are interconnected
- Equipotential bonding is marked by an imprint on the terminal housing

STP ... double marker carriers

- Optional, large labeling option using STP... double marker carriers, see figure below



Notes:
1) The total current of all connected conductors must not exceed the max. load current.
2) For installation notes on the use of accessories for Ex e applications, see page 710.



1.5 (1.5) mm², 17.5 A, double-level terminal block



Ex: Ex I, Ex II, Ex III
KEMA 01ATEX2129 U / IECEx KEM 06.0043U

Technical data

Dimensions	[mm]				
Width	4.2	Length	67.5	Height NS 35/7,5	47.5
Max. electrical data					
I_{max} [A]	17.5	U_{max} [V]	500	max. Ø [mm ²]	0.08 - 1.5
	IEC 60947-7-1				
Rated data					
Rated voltage	[V]	500	300	300	440
Nominal current / cross section	[A] / [mm ²]	17.5 / 1.5	15 / -	15 / -	15 / 1.5 // 15 / 1.5
Rated cross section	[mm ²]	1.5	-	-	1.5
Cross section range	AWG	28 - 16	26-14	26-14	28 - 16
Connection capacity					
1 conductor	[mm ²]	0.08 - 1.5	0.08 - 1.5	Ferrule Without / with plastic sleeve	
Two stranded conductors with a TWIN ferrule	[mm ²]			0.14 - 1.5	0.14 - 1.5
				0.5	
General data					
Stripping length	[mm]	10			
Insulating material		PA			
Inflammability class according to UL 94		V0			

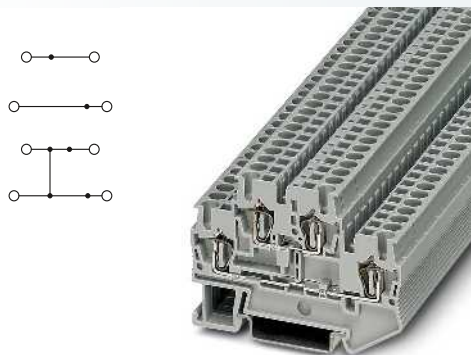
Ordering data

Description	No. of pos.	Color	Type	I_{max}	Order No.	Pcs. / Pkt.
Terminal block, for mounting on NS 35...		gray	STTB 1,5		3031157	50
		blue	STTB 1,5 BU		3031160	50
Terminal block, with equipotential bonding between the levels, for mounting on NS 35... ¹⁾		gray	STTB 1,5-PV		3031526	50
		blue				

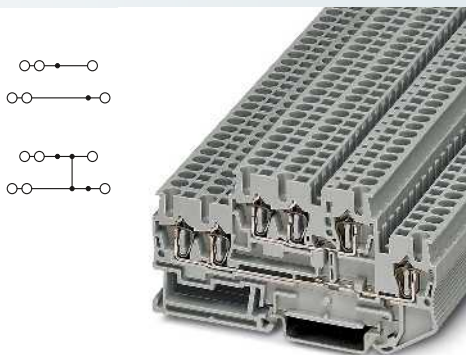
Accessories²⁾

Cover, width 2.2 mm	gray	D-STTB 2,5	3030459	50		
Insulation stop sleeve, cross section range:						
0.08 - 0.2 mm ²	white	ISH 1,5/0,2	3206131	50		
0.25 - 0.5 mm ²	gray	ISH 1,5/0,5	3031034	50		
0.75 - 1 mm ²	black					
Plug-in bridge						
	2	red	FBS 2-4	15 A	3030116	50
	3	red	FBS 3-4	15 A	3030129	50
	4	red	FBS 4-4	15 A	3030132	50
	5	red	FBS 5-4	15 A	3030145	50
	10	red	FBS 10-4	15 A	3030158	10
	20	red	FBS 20-4	15 A	3030352	10
Partition plate, 2 mm width	gray	ATP-STTB 4	3030747	50		
Test adapter, 4-mm test socket hole	gray	PAI-4	3030925	10		
Modular test plug, for the individual assembly of test plug strips	red	PS-4	3030970	10		
Double marker carrier, can be snapped into STTB 1,5, PTTB 1,5 double-level terminal blocks can be labeled with UC-TM 4, ZB 4 or UC-TMF 4, ZBF 4	gray	STP 4-2	0810575	100		
Warning cover, for ST series	yellow	WST 1,5	3030958	50		
Screwdriver		SZF 0-0,4X2,5	1204504	10		
Lateral groove labeling		UC-TMF 4, UCT-TMF 4 or ZBF 4 (see Catalog 5)				

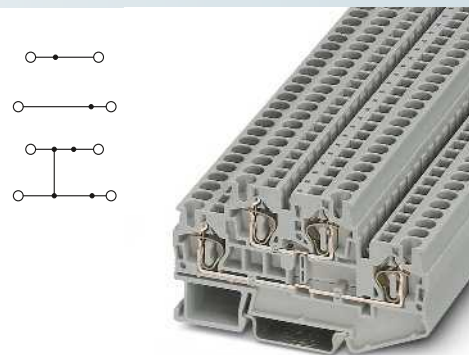
ST spring-cage connection terminal blocks



2.5 (4) mm², 26 A, double-level terminal block



2.5 (4) mm², 26 A, feed-through terminal block,
3 connections per level



4 (6) mm², 32 A, double-level terminal block



Ex: KEMA 00ATEX2052U / IECEx KEM 06.0051U



Ex: KEMA 00ATEX2129U / IECEx KEM 06.0050U



Ex: KEMA 00ATEX2129U / IECEx KEM 06.0050U

Technical data			
Width	Length	Height NS 35/7,5	
5.2	67.5	47.5	
I_{max} [A]	U_{max} [V]	max. Ø [mm ²]	AWG
26	500	0.08 - 4	28 - 12
IEC 60947-7-1			
IEC	UL/CUL	CSA	IEC/EN 60079-7
500	600	300	440
22 / 2.5	20 / -	20 / -	19.5 / 2.5 // 23.5 / 4
2.5	-	-	2.5
28 - 12	28-12	28-12	28 - 12
solid	stranded	Ferrule	
Without / with plastic sleeve			
0.08 - 4	0.08 - 2.5	0.25 - 2.5	0.25 - 2.5 0.5
10	PA	V0	

Technical data			
Width	Length	Height NS 35/7,5	
5.2	91.5	47.5	
I_{max} [A]	U_{max} [V]	max. Ø [mm ²]	AWG
26 ¹⁾	500	0.08 - 4	28 - 12
IEC 60947-7-1			
IEC	UL/CUL	CSA	IEC/EN 60079-7
500	600	300	-
22 ¹⁾ / 2.5	20 / -	20 / -	-
2.5	-	-	-
28 - 12	28-12	28-12	-
solid	stranded	Ferrule	
Without / with plastic sleeve			
0.08 - 4	0.08 - 2.5	0.14 - 2.5	0.14 - 2.5 0.5
10	PA	V0	

Technical data			
Width	Length	Height NS 35/7,5	
6.2	83.5	47.5	
I_{max} [A]	U_{max} [V]	max. Ø [mm ²]	AWG
32	500	0.08 - 6	28 - 10
IEC 60947-7-1			
IEC	UL/CUL	CSA	IEC/EN 60079-7
500	600	300	440
30 / 4	30 / -	30 / -	26.5 / 4 // 30 / 6
4	-	-	4
28 - 10	28-10	28-10	28 - 10
solid	stranded	Ferrule	
Without / with plastic sleeve			
0.08 - 6	0.08 - 4	0.14 - 4	0.14 - 4 0.5 - 1
10	PA	V0	

Ordering data			
Type	I_{max}	Order No.	Pcs. / Pkt.
STTB 2,5		3031270	50
STTB 2,5 BU		3031283	50
STTB 2,5-PV		3031539	50
STTB 2,5-PV BU		3035108	50

Ordering data			
Type	I_{max}	Order No.	Pcs. / Pkt.
STTB 2,5-TWIN		3038516	50
STTB 2,5-TWIN BU		3038529	50
STTB 2,5-TWIN-PV		3038545	50

Ordering data			
Type	I_{max}	Order No.	Pcs. / Pkt.
STTB 4		3031429	50
STTB 4 BU		3031432	50
STTB 4-PV		3031542	50

Accessories ²⁾			
D-STTB 2,5		3030459	50
ISH 2,5/0,2		3002843	50
ISH 2,5/0,5		3002856	50
ISH 2,5/1,0		3002869	50
FBS 2-5	20 A	3030161	50
FBS 3-5	20 A	3030174	50
FBS 4-5	20 A	3030187	50
FBS 5-5	20 A	3030190	50
FBS 10-5	20 A	3030213	10
FBS 20-5	20 A	3030226	10
ATP-STTB 4		3030747	50
PAI-4-N GY		3032871	10
PS-5		3030983	10
STP 5-2		0800967	100
WST 2,5		3030941	50
SZF 1-0,6X3,5		1204517	10

Accessories ²⁾			
D-STTB 2,5-TWIN		3038558	50
ISH 2,5/0,2		3002843	50
ISH 2,5/0,5		3002856	50
ISH 2,5/1,0		3002869	50
FBS 2-5	20 A	3030161	50
FBS 3-5	20 A	3030174	50
FBS 4-5	20 A	3030187	50
FBS 5-5	20 A	3030190	50
FBS 10-5	20 A	3030213	10
FBS 20-5	20 A	3030226	10
ATP-STTB 4		3030747	50
PAI-4-N GY		3032871	10
PS-5		3030983	10
STP 5-2		0800967	100
WST 2,5		3030941	50
SZF 1-0,6X3,5		1204517	10

Accessories ²⁾			
D-STTB 4		3030462	50
ISH 4/0,5		3002885	50
ISH 4/1,0		3002898	50
FBS 2-6	26 A	3030336	50
FBS 3-6	26 A	3030242	50
FBS 4-6	26 A	3030255	50
FBS 5-6	26 A	3030349	50
FBS 10-6	26 A	3030271	10
FBS 20-6	26 A	3030365	10
ATP-STTB 4		3030747	50
PAI-4-N GY		3032871	10
PS-6		3030996	10
STP 5-2		0800967	100
WST 4		3030954	50
SZF 1-0,6X3,5		1204517	10

UC-TMF 5, UCT-TMF 5 or ZBF 5
(see Catalog 5)

UC-TMF 5, UCT-TMF 5 or ZBF 5
(see Catalog 5)

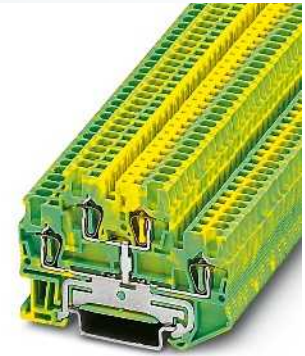
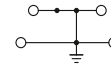
UC-TMF 6, UCT-TMF 6 or ZBF 6
(see Catalog 5)

ST spring-cage connection terminal blocks

STTB ... -PE double-level ground terminal blocks

- Same shape and pitch as the feed-through terminal blocks
- Contact is made free from mechanical and electrical errors by simply snapping onto the DIN rail
- STTB ...-PE fulfill all requirements of the IEC 60947-7-2 standard
These are in particular:
 - Low contact resistance
 - Corrosion-proof terminal points
 - Green-yellow housing
 - Additional options for marking

Notes:
For current carrying capacity of DIN rails, see page 716.
1) For installation notes on the use of accessories for Ex e applications, see page 710.



1.5 (1.5) mm², double-level ground terminal block

Ex: KEMA 01ATEX2129 U / IECEx KEM 06.0043U

Dimensions		
		[mm]
Max. electrical data		
Rated data		
Rated voltage		[V]
Nominal current / cross section		[A] / [mm ²]
Rated cross section		[mm ²]
Cross section range		AWG
Connection capacity		
1 conductor		[mm ²]
Two stranded conductors with a TWIN ferrule		[mm ²]
General data		
Stripping length		[mm]
Insulating material		
Inflammability class according to UL 94		

Technical data				
Width	Length	Height NS 35/7,5		
4.2	67.5	47.5		
		max. Ø [mm ²]	AWG	
		0.08 - 1.5	28 - 16	
IEC 60947-7-2			Ex	
IEC	UL/CUL	CSA	IEC/EN 60079-7	
-	-	-	-	
-	-/-	-	-	
1.5	-	-	1.5	
28 - 16	26-14	26-14	28 - 16	
solid	stranded	Ferrule		
		Without / with plastic sleeve		
0.08 - 1.5	0.08 - 1.5	0.14 - 1.5	0.14 - 1.5	
			0.5	

Description	No. of pos.	Color
Ground terminal block , for mounting on NS 35...		green-yellow

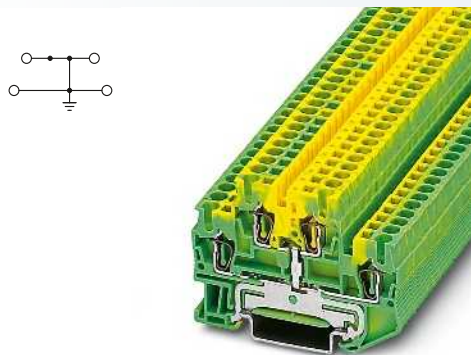
Ordering data		
Type	Order No.	Pcs. / Pkt.
STTB 1,5-PE	3036013	50

Cover , width 2.2 mm		gray
Insulation stop sleeve , cross section range:		
0.08 - 0.2 mm ²		white
0.25 - 0.5 mm ²		gray
0.75 - 1 mm ²		black
Plug-in bridge		
	2	red
	3	red
	4	red
	5	red
	10	red
	20	red
Partition plate , 2 mm width		gray
Test adapter , 4-mm test socket hole		gray
Modular test plug , for the individual assembly of test plug strips		red
Double marker carrier , can be snapped into STTB 1,5, PTTB 1,5 double-level terminal blocks can be labeled with UC-TM 4, ZB 4 or UC-TMF 4, ZBF 4		gray
Warning cover , for ST series		yellow
Screwdriver		

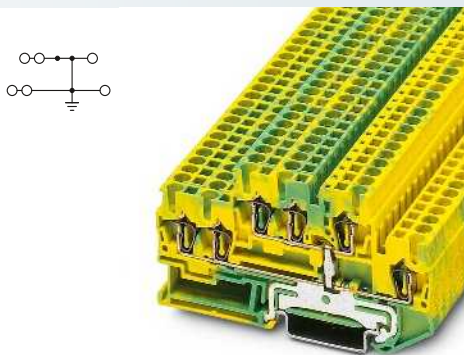
Accessories ¹⁾		
D-STTB 2,5	3030459	50
ISH 1,5/0,2	3206131	50
ISH 1,5/0,5	3031034	50
FBS 2-4	3030116	50
FBS 3-4	3030129	50
FBS 4-4	3030132	50
FBS 5-4	3030145	50
FBS 10-4	3030158	10
FBS 20-4	3030352	10
ATP-STTB 4	3030747	50
PAI-4	3030925	10
PS-4	3030970	10
STP 4-2	0810575	100
WST 1,5	3030958	50
SZF 0-0,4X2,5	1204504	10

Lateral groove labeling

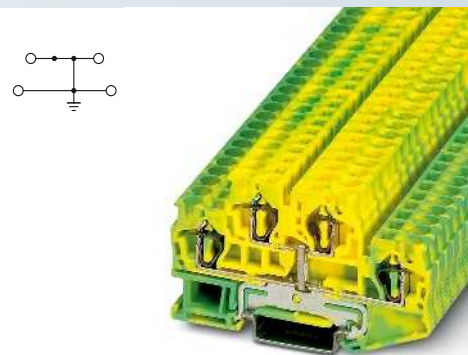
UC-TMF 4, UCT-TMF 4 or ZBF 4 (see Catalog 5)



2.5 (4) mm², double-level ground terminal block



2.5 (4) mm² double-level terminal block, 3 connections per level, with PE foot



4 (6) mm², double-level ground terminal block

UL, CE, VDE, KVR, ClassNK, CB

Ex: KEMA 00ATEX2052U / IECEx KEM 06.0051U

UL, CE, VDE, KVR, ClassNK, CB

Ex: KEMA 00ATEX2129U / IECEx KEM 06.0050U

UL, CE, VDE, KVR, ClassNK, CB

Ex: KEMA 00ATEX2129U / IECEx KEM 06.0050U

Technical data			
Width	Length	Height NS 35/7,5	
5.2	67.5	47.5	
		max. Ø [mm ²]	AWG
		0.08 - 4	28 - 12
IEC 60947-7-2			
IEC	UL/CUL	CSA	IEC/ EN 60079-7
-	-	-	-
-	-/-	-	-
2.5	-	-	2.5
28 - 12	28-12	28-12	28 - 12
solid	stranded	Ferrule	
		Without / with plastic sleeve	
0.08 - 4	0.08 - 2.5	0.14 - 2.5	0.14 - 2.5
			0.5
10	PA	V0	

Technical data			
Width	Length	Height NS 35/7,5	
5.2	91.5	47.5	
		max. Ø [mm ²]	AWG
		0.08 - 4	28 - 12
IEC 60947-7-2			
IEC	UL/CUL	CSA	IEC/ EN 60079-7
-	-	-	-
-	-/-	-	-
2.5	-	-	-
28 - 12	28-12	28-12	-
solid	stranded	Ferrule	
		Without / with plastic sleeve	
0.08 - 4	0.08 - 2.5	0.14 - 2.5	0.14 - 2.5
			0.5
10	PA	V0	

Technical data			
Width	Length	Height NS 35/7,5	
6.2	83.5	47.5	
		max. Ø [mm ²]	AWG
		0.08 - 6	28 - 10
IEC 60947-7-2			
IEC	UL/CUL	CSA	IEC/ EN 60079-7
-	-	-	-
-	-/-	-	-
4	-	-	4
28 - 10	28-10	28-10	28 - 10
solid	stranded	Ferrule	
		Without / with plastic sleeve	
0.08 - 6	0.08 - 4	0.14 - 4	0.14 - 4
			0.5 - 1
10	PA	V0	

Ordering data		
Type	Order No.	Pcs. / Pkt.
STTB 2,5-PE	3036026	50

Ordering data		
Type	Order No.	Pcs. / Pkt.
STTB 2,5-TWIN-PE	3038532	50

Ordering data		
Type	Order No.	Pcs. / Pkt.
STTB 4-PE	3036039	50

Accessories ¹⁾		
D-STTB 2,5	3030459	50
ISH 2,5/0,2	3002843	50
ISH 2,5/0,5	3002856	50
ISH 2,5/1,0	3002869	50
FBS 2-5	3030161	50
FBS 3-5	3030174	50
FBS 4-5	3030187	50
FBS 5-5	3030190	50
FBS 10-5	3030213	10
FBS 20-5	3030226	10
ATP-STTB 4	3030747	50
PAI-4-N GY	3032871	10
PS-5	3030983	10
STP 5-2	0800967	100
WST 2,5	3030941	50
SZF 1-0,6X3,5	1204517	10

Accessories ¹⁾		
D-STTB 2,5-TWIN	3038558	50
ISH 2,5/0,2	3002843	50
ISH 2,5/0,5	3002856	50
ISH 2,5/1,0	3002869	50
FBS 2-5	3030161	50
FBS 3-5	3030174	50
FBS 4-5	3030187	50
FBS 5-5	3030190	50
FBS 10-5	3030213	10
FBS 20-5	3030226	10
ATP-STTB 4	3030747	50
PAI-4-N GY	3032871	10
PS-5	3030983	10
STP 5-2	0800967	100
WST 2,5	3030941	50
SZF 1-0,6X3,5	1204517	10

Accessories ¹⁾		
D-STTB 4	3030462	50
ISH 4/0,5	3002885	50
ISH 4/1,0	3002898	50
FBS 2-6	3030336	50
FBS 3-6	3030242	50
FBS 4-6	3030255	50
FBS 5-6	3030349	50
FBS 10-6	3030271	10
FBS 20-6	3030365	10
ATP-STTB 4	3030747	50
PAI-4-N GY	3032871	10
PS-6	3030996	10
STP 5-2	0800967	100
WST 4	3030954	50
SZF 1-0,6X3,5	1204517	10

UC-TMF 5, UCT-TMF 5 or ZBF 5 (see Catalog 5)

UC-TMF 5, UCT-TMF 5 or ZBF 5 (see Catalog 5)

UC-TMF 6, UCT-TMF 6 or ZBF 6 (see Catalog 5)

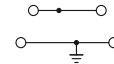
ST spring-cage connection terminal blocks

STTB 2,5 ... double-level terminal blocks



- These mixed versions combine the benefits of two-level feed-through terminal blocks and ground terminal blocks of the same shape
- The ...PE/L and ...PE/N terminal block types feature ground conductor contact with the DIN rail in the lower level, while the upper level is designed as a feed-through level
- The color coding of the PE and N levels helps to produce clear and unambiguous potential distribution

Notes:
For current carrying capacity of DIN rails, see page 716.



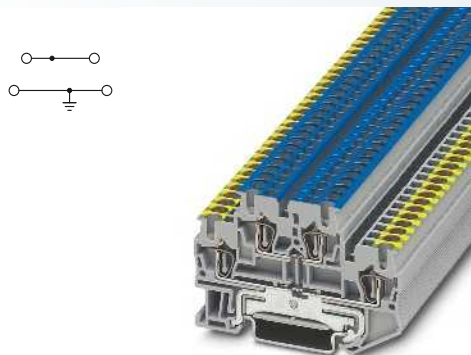
2.5 (4) mm², 32 A, double-level ground terminal block



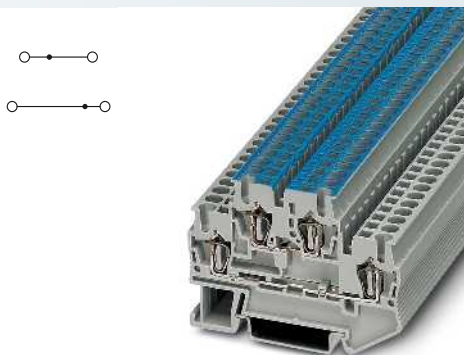
Dimensions		[mm]
Max. electrical data		
Rated data		
Rated voltage	[V]	500
Nominal current / cross section	[A] / [mm ²]	22 / 2.5
Rated cross section	[mm ²]	2.5
Cross section range	AWG	28 - 12
Connection capacity		
1 conductor	[mm ²]	0.08 - 4
Two stranded conductors with a TWIN ferrule	[mm ²]	0.08 - 2.5
General data		
Stripping length	[mm]	10
Insulating material		PA
Inflammability class according to UL 94		V0

Technical data				
Width	Length	Height NS 35/7,5		
5.2	67.5	47.5		
I _{max} [A]	U _{max} [V]	max. Ø [mm ²]	AWG	
32	500	0.08 - 4	28 - 12	
IEC 60947-7-1 / IEC 60947-7-2				
IEC	UL/CUL	CSA	IEC/EN 60079-7	
Connection capacity				
		Ferrule		
		Without / with plastic sleeve		
0.08 - 4	0.08 - 2.5	0.14 - 2.5	0.14 - 2.5	
		0.5		
Ordering data				
Type	I _{max}	Order No.	Pcs. / Pkt.	
STTB 2,5-PE/L		3036314	50	
Accessories				
D-STTB 2,5		3030459	50	
ISH 2,5/0,2		3002843	50	
ISH 2,5/0,5		3002856	50	
ISH 2,5/1,0		3002869	50	
FBS 2-5	20 A	3030161	50	
FBS 3-5	20 A	3030174	50	
FBS 4-5	20 A	3030187	50	
FBS 5-5	20 A	3030190	50	
FBS 10-5	20 A	3030213	10	
FBS 20-5	20 A	3030226	10	
ATP-STTB 4		3030747	50	
PAI-4-N GY		3032871	10	
PS-5		3030983	10	
STP 5-2		0800967	100	
WST 2,5		3030941	50	
SZF 1-0,6X3,5		1204517	10	
UC-TMF 5, UCT-TMF 5 or ZBF 5 (see Catalog 5)				

Description	No. of pos.	Color
Terminal block , for mounting on NS 35...		gray
Cover , width 2.2 mm		gray
Insulation stop sleeve , cross section range:		
0.08 - 0.2 mm ²		white
0.25 - 0.5 mm ²		gray
0.75 - 1 mm ²		black
Plug-in bridge		
	2	red
	3	red
	4	red
	5	red
	10	red
	20	red
Partition plate , 2 mm width		gray
Test adapter , 4-mm test socket hole		gray
Modular test plug , for the individual assembly of test plug strips		red
Double marker carrier , can be snapped into STTB 2,5, STTB 4, PTTB 2,5 PTTB 4 double-level terminal blocks, can be labeled with UC-TM 5, ZB 5 or UC-TMF 5, ZBF 5		gray
Warning cover , for actuation shafts, 5-pos.		yellow
Screwdriver		
Lateral groove labeling		



2.5 (4) mm², 32 A, double-level ground terminal block



2.5 (4) mm², 26 A, double-level terminal block



Technical data			
Width	Length	Height NS 35/7,5	
5.2	67.5	47.5	
I_{max} [A]	U_{max} [V]	max. Ø [mm ²]	AWG
32	500	0.08 - 4	28 - 12
IEC 60947-7-1 / IEC 60947-7-2			
IEC	UL/CUL	CSA	IEC/EN 60079-7
500	300	300	-
22 / 2.5	20 / -	20 / -	-
2.5	-	-	-
28 - 12	28-12	28-12	-
solid	stranded	Ferrule Without / with plastic sleeve	
0.08 - 4	0.08 - 2.5	0.14 - 2.5	0.14 - 2.5 0.5
10	PA	V0	

Technical data			
Width	Length	Height NS 35/7,5	
5.2	67.5	47.5	
I_{max} [A]	U_{max} [V]	max. Ø [mm ²]	AWG
26	500	0.08 - 4	28 - 12
IEC 60947-7-1			
IEC	UL/CUL	CSA	IEC/EN 60079-7
500	600	300	-
22 / 2.5	20 / -	20 / -	-
2.5	-	-	-
28 - 12	28-12	28-12	-
solid	stranded	Ferrule Without / with plastic sleeve	
0.08 - 4	0.08 - 2.5	0.25 - 2.5	0.25 - 2.5 0.5
10	PA	V0	

Ordering data			
Type	I_{max}	Order No.	Pcs. / Pkt.
STTB 2,5-PE/N		3036327	50

Ordering data			
Type	I_{max}	Order No.	Pcs. / Pkt.
STTB 2,5-L/N		3036330	50

Accessories			
D-STTB 2,5		3030459	50
ISH 2,5/0,2		3002843	50
ISH 2,5/0,5		3002856	50
ISH 2,5/1,0		3002869	50
FBS 2-5	20 A	3030161	50
FBS 3-5	20 A	3030174	50
FBS 4-5	20 A	3030187	50
FBS 5-5	20 A	3030190	50
FBS 10-5	20 A	3030213	10
FBS 20-5	20 A	3030226	10
ATP-STTB 4		3030747	50
PAI-4-N GY		3032871	10
PS-5		3030983	10
STP 5-2		0800967	100
WST 2,5		3030941	50
SZF 1-0,6X3,5		1204517	10

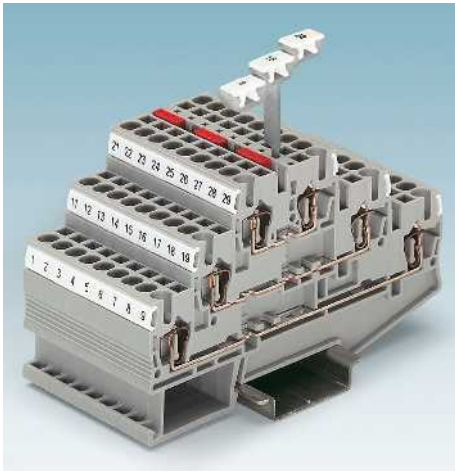
Accessories			
D-STTB 2,5		3030459	50
ISH 2,5/0,2		3002843	50
ISH 2,5/0,5		3002856	50
ISH 2,5/1,0		3002869	50
FBS 2-5	20 A	3030161	50
FBS 3-5	20 A	3030174	50
FBS 4-5	20 A	3030187	50
FBS 5-5	20 A	3030190	50
FBS 10-5	20 A	3030213	10
FBS 20-5	20 A	3030226	10
ATP-STTB 4		3030747	50
PAI-4-N GY		3032871	10
PS-5		3030983	10
STP 5-2		0800967	100
WST 2,5		3030941	50
SZF 1-0,6X3,5		1204517	10

UC-TMF 5, UCT-TMF 5 or ZBF 5
(see Catalog 5)

UC-TMF 5, UCT-TMF 5 or ZBF 5
(see Catalog 5)

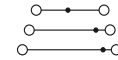
ST spring-cage connection terminal blocks

ST 2,5-3... three-level terminal blocks



- The three-level spring-cage terminal block has three feed-through levels in a 5.2 mm wide terminal housing
- High wiring density for particularly cramped switch systems
- With one bridge shaft on each level, this modular terminal block can be used as a compact potential distributor or as a sensor terminal, for example
- The ST 2,5-3PV version has six linked terminal points
- Can be labeled on every level
- The three-level range of terminal blocks is rounded off by a ground terminal block of the same shape
- Additional large-surface labeling of the three levels with STP 5-3 triple marker carrier

Notes:
For current carrying capacity of DIN rails, see page 716.
For suitable triple marker carriers, see page 484.
1) The total current of all connected conductors must not exceed the max. load current.
2) The operating voltage is determined by the LED version.



2.5 (4) mm², 28 A, three-level terminal block



Dimensions	
	[mm]
Max. electrical data	
Rated data	
Rated voltage	[V]
Nominal current / cross section	[A] / [mm ²]
Rated cross section	[mm ²]
Cross section range	AWG
Connection capacity	
1 conductor	[mm ²]
Two stranded conductors with a TWIN ferrule	[mm ²]
General data	
Stripping length	[mm]
Insulating material	
Inflammability class according to UL 94	

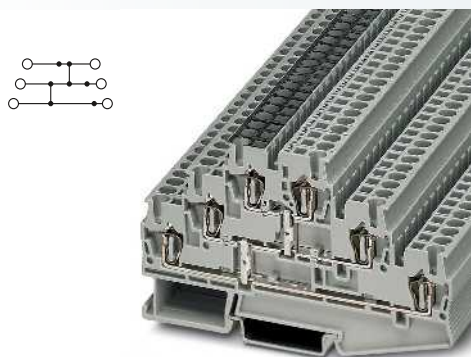
Technical data				
Width	Length	Height NS 35/7,5		
5.2	99.5	58		
I _{max} [A]	U _{max} [V]	max. Ø [mm ²]	AWG	
28	500	0.08 - 4	28 - 12	
IEC 60947-7-1				
IEC	UL/CUL	CSA	IEC/EN 60079-7	
500	600	300	-	
20 / 2.5	20 / -	20 / -	-	
2.5	-	-	-	
28 - 12	28-12	28-12	-	
solid	stranded	Ferrule		
		Without / with plastic sleeve		
0.08 - 4	0.08 - 2.5	0.14 - 2.5	0.14 - 2.5	
		0.5		
10				
PA				
V0				

Description	No. of pos.	Color
Terminal block, for mounting on NS 35...		gray
Terminal block, with equipotential bonding between the levels, for mounting on NS 35...		blue
Ground terminal block, for mounting on NS 35...		gray
Terminal block, with LED for 12 - 30 V DC, 0.7 - 2.4 mA		green-yellow
		gray

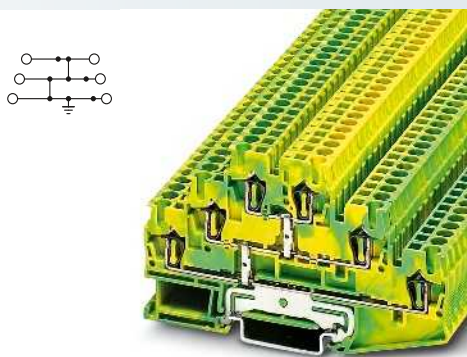
Ordering data			
Type	I _{max}	Order No.	Pcs. / Pkt.
ST 2,5-3L		3036042	50
ST 2,5-3L BU		3038710	50

Cover, width 2.2 mm		gray
Insulation stop sleeve, cross section range:		
0.08 - 0.2 mm ²		white
0.25 - 0.5 mm ²		gray
0.75 - 1 mm ²		black
Plug-in bridge		
	2	red
	3	red
	4	red
	5	red
	10	red
	20	red
Test adapter, 4-mm test socket hole		gray
Modular test plug, for the individual assembly of test plug strips		red
Three-compartment marker carrier, can be snapped into ST 2,5-3... and PT 2,5-3... three-level terminal blocks, can be labeled with UC-TMF 5 and ZBF 5 or ...TM 5 and ZB 5		gray
Warning cover, for actuation shafts, 5-pos.		yellow
Screwdriver		
Lateral groove labeling		

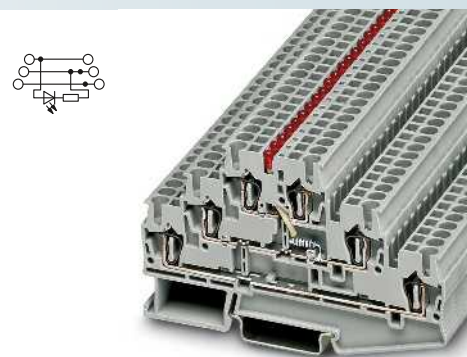
Accessories			
D-ST 2,5-3L		3036660	50
ISH 2,5/0,2		3002843	50
ISH 2,5/0,5		3002856	50
ISH 2,5/1,0		3002869	50
FBS 2-5	20 A	3030161	50
FBS 3-5	20 A	3030174	50
FBS 4-5	20 A	3030187	50
FBS 5-5	20 A	3030190	50
FBS 10-5	20 A	3030213	10
FBS 20-5	20 A	3030226	10
PAI-4-N GY		3032871	10
PS-5		3030983	10
STP 5-3		0810562	100
WST 2,5		3030941	50
SZF 1-0,6X3,5		1204517	10
UC-TMF 5, UCT-TMF 5 or ZBF 5 (see Catalog 5)			



2.5 (4) mm², 28 A, three-level terminal block, internally connected levels



2.5 (4) mm², ground terminal block, 6 connections



2.5 (4) mm², 28 A, three-level terminal block with LED



Technical data			
Width	Length	Height NS 35/7,5	
5.2	99.5	58	
I_{max} [A]	U_{max} [V]	max. Ø [mm ²]	AWG
28 ¹⁾	500	0.08 - 4	28 - 12
IEC 60947-7-1			
IEC	UL/CUL	CSA	IEC/EN 60079-7
500	600	300	-
20 ¹⁾ / 2.5	20 / -	20 / -	-
2.5	-	-	-
28 - 12	28-12	28-12	-
solid	stranded	Ferrule	
Without / with plastic sleeve			
0.08 - 4	0.08 - 2.5	0.14 - 2.5	0.14 - 2.5
0.5			
10	PA	V0	

Technical data			
Width	Length	Height NS 35/7,5	
5.2	99.5	58	
I_{max} [A]	U_{max} [V]	max. Ø [mm ²]	AWG
28	500 ²⁾	0.08 - 4	28 - 12
IEC 60947-7-2			
IEC	UL/CUL	CSA	IEC/EN 60079-7
-	-	-	-
-	- / -	-	-
2.5	-	-	-
28 - 12	28-12	28-12	-
solid	stranded	Ferrule	
Without / with plastic sleeve			
0.08 - 4	0.08 - 2.5	0.14 - 2.5	0.14 - 2.5
0.5			
10	PA	V0	

Technical data			
Width	Length	Height NS 35/7,5	
5.2	99.5	58	
I_{max} [A]	U_{max} [V]	max. Ø [mm ²]	AWG
28	500 ²⁾	0.08 - 4	28 - 12
IEC			
IEC	UL/CUL	CSA	IEC/EN 60079-7
500 ²⁾	-	-	-
20 / 2.5	- / -	-	-
2.5	-	-	-
28 - 12	-	-	-
solid	stranded	Ferrule	
Without / with plastic sleeve			
0.08 - 4	0.08 - 2.5	0.14 - 2.5	0.14 - 2.5
0.5			
10	PA	V0	

Ordering data			
Type	I_{max}	Order No.	Pcs. / Pkt.
ST 2,5-3PV		3036068	50

Ordering data			
Type	I_{max}	Order No.	Pcs. / Pkt.
ST 2,5-3PE		3036071	50

Ordering data			
Type	I_{max}	Order No.	Pcs. / Pkt.
ST 2,5-3L-LA 24RD/O-M		3035580	50

Accessories			
Accessories		Order No.	Pcs. / Pkt.
D-ST 2,5-3L		3036660	50
ISH 2,5/0,2		3002843	50
ISH 2,5/0,5		3002856	50
ISH 2,5/1,0		3002869	50
FBS 2-5	20 A	3030161	50
FBS 3-5	20 A	3030174	50
FBS 4-5	20 A	3030187	50
FBS 5-5	20 A	3030190	50
FBS 10-5	20 A	3030213	10
FBS 20-5	20 A	3030226	10
PAI-4-N GY		3032871	10
PS-5		3030983	10
STP 5-3		0810562	100
WST 2,5		3030941	50
SZF 1-0,6X3,5		1204517	10

Accessories			
Accessories		Order No.	Pcs. / Pkt.
D-ST 2,5-3L		3036660	50
ISH 2,5/0,2		3002843	50
ISH 2,5/0,5		3002856	50
ISH 2,5/1,0		3002869	50
FBS 2-5		3030161	50
FBS 3-5		3030174	50
FBS 4-5		3030187	50
FBS 5-5		3030190	50
FBS 10-5		3030213	10
FBS 20-5		3030226	10
PAI-4-N GY		3032871	10
PS-5		3030983	10
STP 5-3		0810562	100
WST 2,5		3030941	50
SZF 1-0,6X3,5		1204517	10

Accessories			
Accessories		Order No.	Pcs. / Pkt.
D-ST 2,5-3L		3036660	50
ISH 2,5/0,2		3002843	50
ISH 2,5/0,5		3002856	50
ISH 2,5/1,0		3002869	50
FBS 2-5	20 A	3030161	50
FBS 3-5	20 A	3030174	50
FBS 4-5	20 A	3030187	50
FBS 5-5	20 A	3030190	50
FBS 10-5	20 A	3030213	10
FBS 20-5	20 A	3030226	10
PAI-4-N GY		3032871	10
PS-5		3030983	10
STP 5-3		0810562	100
WST 2,5		3030941	50
SZF 1-0,6X3,5		1204517	10

UC-TMF 5, UCT-TMF 5 or ZBF 5 (see Catalog 5)

UC-TMF 5, UCT-TMF 5 or ZBF 5 (see Catalog 5)

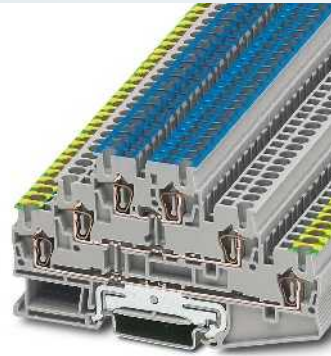
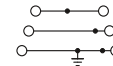
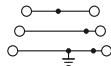
UC-TMF 5, UCT-TMF 5 or ZBF 5 (see Catalog 5)

Modular terminal blocks - CLIPLINE complete

ST spring-cage connection terminal blocks

ST 2,5... three-level terminal blocks

– The color coding of the PE and N levels helps to produce clear and unambiguous potential distribution



2.5 (4) mm², 28 A, three-level terminal block with PE foot

2.5 (4) mm², 28 A, three-level terminal block with PE foot

Notes:
For current carrying capacity of DIN rails, see page 716.
1) The total current of all connected conductors must not exceed the max. load current.



Dimensions		[mm]
Max. electrical data		
Rated voltage	[V]	500
Nominal current / cross section	[A] / [mm ²]	24 / 2.5
Rated cross section	[mm ²]	2.5
Cross section range	AWG	28 - 12
Connection capacity		
1 conductor	[mm ²]	0.08 - 4
Two stranded conductors with a TWIN ferrule	[mm ²]	0.08 - 2.5
General data		
Stripping length	[mm]	10
Insulating material		PA
Inflammability class according to UL 94		V0

Technical data				
Width	Length	Height NS 35/7,5		
5.2	99.5	58		
I _{max} [A]	U _{max} [V]	max. Ø [mm ²]	AWG	
28	500	0.08 - 4	28 - 12	
IEC 60947-7-1 / IEC 60947-7-2				
IEC	UL/CUL	CSA	IEC/EN 60079-7	
Rated voltage	[V]	300	-	
Nominal current / cross section	[A] / [mm ²]	20 / -	-	
Rated cross section	[mm ²]	-	-	
Cross section range	AWG	28-12	-	
Connection capacity				
		solid	stranded	
		Without / with plastic sleeve		
1 conductor	[mm ²]	0.08 - 4	0.08 - 2.5	0.14 - 2.5
Two stranded conductors with a TWIN ferrule	[mm ²]	0.5		
General data				
Stripping length	[mm]	10		
Insulating material		PA		
Inflammability class according to UL 94		V0		

Technical data				
Width	Length	Height NS 35/7,5		
5.2	99.5	58		
I _{max} [A]	U _{max} [V]	max. Ø [mm ²]	AWG	
28	500	0.08 - 4	28 - 12	
IEC 60947-7-1 / IEC 60947-7-2				
IEC	UL/CUL	CSA	IEC/EN 60079-7	
Rated voltage	[V]	300	-	
Nominal current / cross section	[A] / [mm ²]	20 / -	-	
Rated cross section	[mm ²]	-	-	
Cross section range	AWG	28-12	-	
Connection capacity				
		solid	stranded	
		Without / with plastic sleeve		
1 conductor	[mm ²]	0.08 - 4	0.08 - 2.5	0.14 - 2.5
Two stranded conductors with a TWIN ferrule	[mm ²]	0.5		
General data				
Stripping length	[mm]	10		
Insulating material		PA		
Inflammability class according to UL 94		V0		

Description	No. of pos.	Color
Terminal block, for mounting on NS 35...		gray
Terminal block, with equipotential bonding between the levels, for mounting on NS 35...1)		gray

Ordering data			
Type	I _{max}	Order No.	Pcs. / Pkt.
ST 2,5-PE/LN		3036084	50

Ordering data			
Type	I _{max}	Order No.	Pcs. / Pkt.
ST 2,5-PE/L/L		3036097	50
ST 2,5-PE/2PV		3038833	50

Accessories		
Description	No. of pos.	Color
Cover, width 2.2 mm		gray
Insulation stop sleeve, cross section range:		
0.08 - 0.2 mm ²		white
0.25 - 0.5 mm ²		gray
0.75 - 1 mm ²		black
Plug-in bridge		
	2	red
	3	red
	4	red
	5	red
	10	red
	20	red
Test adapter, 4-mm test socket hole		gray
Test plug metal part, 2.3 mm Ø		
Insulating sleeve, for MPS metal part		red
Modular test plug, for the individual assembly of test plug strips		red
Three-compartment marker carrier, can be snapped into ST 2,5-3... and PT 2,5-3... three-level terminal blocks, can be labeled with UC-TMF 5 and ZBF 5 or ...TM 5 and ZB 5		gray
Warning cover, for actuation shafts, 5-pos.		yellow
Screwdriver		
UC-TMF 5, UCT-TMF 5 or ZBF 5 (see Catalog 5)		

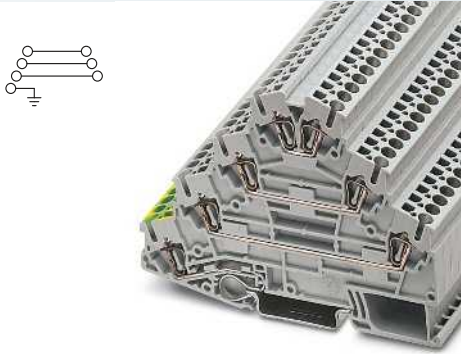
Accessories			
Description	No. of pos.	Color	
D-ST 2,5-3L			3036660 50
ISH 2,5/0,2			3002843 50
ISH 2,5/0,5			3002856 50
ISH 2,5/1,0			3002869 50
FBS 2-5	22 A		3030161 50
FBS 3-5	22 A		3030174 50
FBS 4-5	22 A		3030187 50
FBS 5-5	22 A		3030190 50
FBS 10-5	22 A		3030213 10
FBS 20-5	22 A		3030226 10
PAI-4-N GY			3032871 10
MPS-MT			0201744 10
MPS-IH RD			0201676 10
PS-5			3030983 10
STP 5-3			0810562 100
WST 2,5			3030941 50
SZF 1-0,6X3,5			1204517 10
UC-TMF 5, UCT-TMF 5 or ZBF 5 (see Catalog 5)			

Accessories			
Description	No. of pos.	Color	
D-ST 2,5-3L			3036660 50
ISH 2,5/0,2			3002843 50
ISH 2,5/0,5			3002856 50
ISH 2,5/1,0			3002869 50
FBS 2-5	22 A		3030161 50
FBS 3-5	22 A		3030174 50
FBS 4-5	22 A		3030187 50
FBS 5-5	22 A		3030190 50
FBS 10-5	22 A		3030213 10
FBS 20-5	22 A		3030226 10
PAI-4-N GY			3032871 10
MPS-MT			0201744 10
MPS-IH RD			0201676 10
PS-5			3030983 10
STP 5-3			0810562 100
WST 2,5			3030941 50
SZF 1-0,6X3,5			1204517 10
UC-TMF 5, UCT-TMF 5 or ZBF 5 (see Catalog 5)			

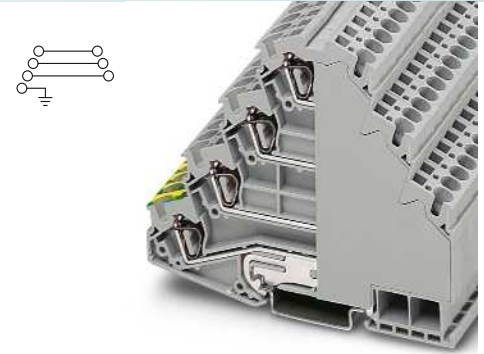
ST ...-PE/3L four-level terminal blocks with PE foot

- These four-level terminal blocks are particularly suitable for the compact wiring of three-phase loads
- Each terminal point can be labeled
- Testing facility for test plugs with 2.3 mm diameter

Notes:
For current carrying capacity of DIN rails, see page 716.



2.5 (4) mm², 26 A, four-level terminal block with PE foot



4 (6) mm², 32 A, four-level terminal block with PE foot



Technical data				
Width	Length	Height NS 35/7,5		
5.2	98.5	73.5		
I _{max} [A]	U _{max} [V]	max. Ø [mm ²]	AWG	
26	800	0.08 - 4	28 - 12	
IEC 60947-7-1 / IEC 60947-7-2				
IEC	UL/CUL	CSA	IEC/EN 60079-7	
Rated voltage [V]	800	600	600	-
Nominal current / cross section [A] / [mm ²]	20 / 2.5	20 / -	20 / -	
Rated cross section [mm ²]	2.5	-	-	
Cross section range AWG	28 - 12	28-12	28-12	
Connection capacity	solid	stranded	Ferrule Without / with plastic sleeve	
	1 conductor [mm ²]	Two stranded conductors with a TWIN ferrule [mm ²]	0.08 - 4	0.08 - 2.5
General data				
Stripping length [mm]	10			
Insulating material	PA			
Inflammability class according to UL 94	V0			

Ordering data			
Type	Order No.	Pcs. / Pkt.	
ST 2,5-PE/3L	3036055	50	

Accessories			
D-ST 2,5-PE/3L	3036673	50	
MPS-MT	0201744	10	
MPS-IH RD	0201676	10	
SZF 1-0,6X3,5	1204517	10	

Center groove labeling	UC-TM 5, UCT-TM 5 or ZB 5 (see Catalog 5)
Center and lateral groove labeling	UC-TMF 5, UCT-TMF 5 or ZBF 5 (see Catalog 5)



Technical data				
Width	Length	Height NS 35/7,5		
6.2	101	83.5		
I _{max} [A]	U _{max} [V]	max. Ø [mm ²]	AWG	
32	800	0.08 - 6	28 - 10	
IEC 60947-7-1 / IEC 60947-7-2				
IEC	UL/CUL	CSA	IEC/EN 60079-7	
Rated voltage [V]	800	600	600	-
Nominal current / cross section [A] / [mm ²]	28 / 4	30 / -	30 / -	
Rated cross section [mm ²]	4	-	-	
Cross section range AWG	28 - 10	28-10	28-10	
Connection capacity	solid	stranded	Ferrule Without / with plastic sleeve	
	1 conductor [mm ²]	Two stranded conductors with a TWIN ferrule [mm ²]	0.08 - 6	0.08 - 4
General data				
Stripping length [mm]	10			
Insulating material	PA			
Inflammability class according to UL 94	V0			

Ordering data			
Type	Order No.	Pcs. / Pkt.	
ST 4-PE/3L	3038338	50	

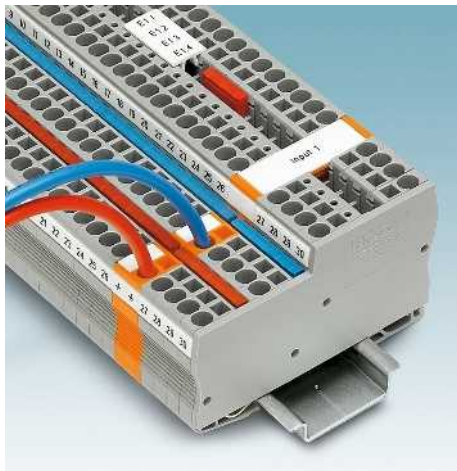
Accessories			
MPS-MT	0201744	10	
MPS-IH RD	0201676	10	
SZF 1-0,6X3,5	1204517	10	

Center groove labeling	UC-TM 6, UCT-TM 6 or ZB 6 (see Catalog 5)
Center and lateral groove labeling	UC-TMF 6, UCT-TMF 6 or ZBF 6 (see Catalog 5)

Modular terminal blocks - CLIPLINE complete

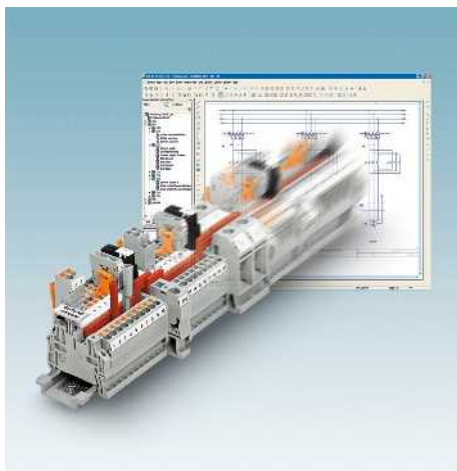
ST spring-cage connection terminal blocks

STIO 2,5/3 three-conductor initiator/actuator terminal block

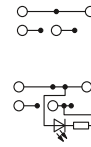


- For wiring three-conductor initiators and actuators in a space-saving and time-saving way
- The upper level is for signal wiring, whereas the two lower levels are for distributing the positive and negative potential
- Potential is supplied via STIO-IN power terminal blocks
- Power terminal blocks can be set at any desired point of the terminal strip for supply or extension
- Simple bridging and potential distribution using the patented plug-in bridges of the CLIPLINE complete system
- Three-conductor output terminal block of the same shape with PE connection in the lower level for wiring actuators
- Versions with light indicator for indicating the switching states

CLIP PROJECT Planning enables the quick and convenient planning and configuration of fault-free terminal strips.



Notes:
For current carrying capacity of DIN rails, see page 716.
For other color versions of the plug-in bridge, see page 473.
1) In the case of central power feed.



2.5 (4) mm², 18 A, three-conductor initiator terminal block



Dimensions		[mm]
Max. electrical data		
Rated data		
Rated voltage	[V]	250
Nominal current / cross section	[A] / [mm ²]	18 / 2.5
Rated cross section	[mm ²]	2.5
Cross section range	AWG	28 - 12
Connection capacity		
1 conductor	[mm ²]	0.08 - 4
Two stranded conductors with a TWIN ferrule	[mm ²]	0.08 - 2.5
General data		
Stripping length	[mm]	10
Insulating material		PA
Inflammability class according to UL 94		V0

Description	No. of pos.	Color
Terminal block , for mounting on NS 35...		gray
	With red light indicator for 15-30 V DC, 1-2.5 mA, LED between the upper and the lower levels	gray
With green light indicator for 15-30 V DC, 1-2.5 mA, LED between the upper and the lower levels		gray
Terminal block , with PE connection, for mounting on NS 35...		gray
	With red light indicator for 15-30 V DC, 1-2.5 mA, LED between the upper and the lower levels	gray
	With green light indicator for 15-30 V DC, 1-2.5 mA, LED between the upper and the lower levels	gray
Power terminal block		orange
Power terminal block with PE connection		orange

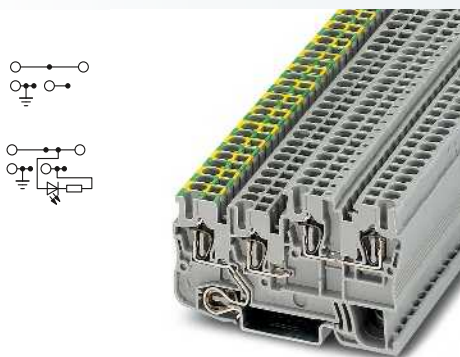
Cover , width 2.2 mm		gray	
Insulation stop sleeve , cross section range:	0.08 - 0.2 mm ²	white	
	0.25 - 0.5 mm ²	gray	
	0.75 - 1 mm ²	black	
Plug-in bridge		2	red
		3	red
		4	red
		5	red
		10	red
		20	red
		50	red
Modular test plug , for the individual assembly of test plug strips		red	

Center groove labeling	UC-TM 5, UCT-TM 5 or ZB 5 (see Catalog 5)
Center and lateral groove labeling	UC-TMF 5, UCT-TMF 5 or ZBF 5 (see Catalog 5)

Technical data				
Width	Length	Height NS 35/7.5		
5.2	75	44.5		
I _{max} [A]	U _{max} [V]	max. Ø [mm ²]	AWG	
18	250	0.08 - 4	28 - 12	
IEC 60947-7-1				
IEC	UL/CUL	CSA	IEC/EN 60079-7	
Rated voltage	300	-	-	
Nominal current / cross section	18 / -	-	-	
Rated cross section	-	-	-	
Cross section range	28 - 12	-	-	
Connection capacity		Ferrule		
		Without / with plastic sleeve		
1 conductor	0.08 - 4	0.08 - 2.5	0.14 - 2.5	0.14 - 2.5
Two stranded conductors with a TWIN ferrule			0.5	

Ordering data			
Type	I _{max}	Order No.	Pcs. / Pkt.
STIO 2,5/3-2B/L		3209015	50
STIO 2,5/3-2B/L-LA24RD/O-M		3209028	50
STIO 2,5/3-2B/L-LA24GN/O-M		3209031	50

Accessories			
D-STIO 2,5/3		3209112	50
ISH 2,5/0,2		3002843	50
ISH 2,5/0,5		3002856	50
ISH 2,5/1,0		3002869	50
FBS 2-5	20 A	3030161	50
FBS 3-5	20 A	3030174	50
FBS 4-5	20 A	3030187	50
FBS 5-5	20 A	3030190	50
FBS 10-5	20 A	3030213	10
FBS 20-5	20 A	3030226	10
FBS 50-5	20 A	3038930	10
PS-5		3030983	10



2.5 (4) mm², 18 A, three-wire actuator terminal block with PE foot



2.5 (4) mm², 30 A, power terminal block



2.5 (4) mm², 30 A, power terminal block with PE foot



Technical data			
Width	Length	Height NS 35/7,5	
5.2	75	44.5	
I_{max} [A]	U_{max} [V]	max. Ø [mm ²]	AWG
18	250	0.08 - 4	28 - 12
IEC 60947-7-1 / IEC 60947-7-2			
IEC	UL/CUL	CSA	IEC/EN 60079-7
250	300	-	-
18 / 2.5	18 / -	-	-
2.5	-	-	-
28 - 12	28-12	-	-
solid	stranded	Ferrule	
Without / with plastic sleeve			
0.08 - 4	0.08 - 2.5	0.14 - 2.5	0.14 - 2.5
0.5			
10	PA	V0	

Technical data			
Width	Length	Height NS 35/7,5	
10.4	75	44.5	
I_{max} [A]	U_{max} [V]	max. Ø [mm ²]	AWG
30 ¹⁾	250	0.08 - 4	28 - 12
IEC 60947-7-1			
IEC	UL/CUL	CSA	IEC/EN 60079-7
250	300	-	-
18 / 2.5	20 / -	-	-
2.5	-	-	-
28 - 12	28-12	-	-
solid	stranded	Ferrule	
Without / with plastic sleeve			
0.08 - 4	0.08 - 2.5	0.14 - 2.5	0.14 - 2.5
0.5			
10	PA	V0	

Technical data			
Width	Length	Height NS 35/7,5	
10.4	75	44.5	
I_{max} [A]	U_{max} [V]	max. Ø [mm ²]	AWG
30 ¹⁾	250	0.08 - 4	28 - 12
IEC 60947-7-1 / IEC 60947-7-2			
IEC	UL/CUL	CSA	IEC/EN 60079-7
250	300	-	-
18 / 2.5	20 / -	-	-
2.5	-	-	-
28 - 12	28-12	-	-
solid	stranded	Ferrule	
Without / with plastic sleeve			
0.08 - 4	0.08 - 2.5	0.14 - 2.5	0.14 - 2.5
0.5			
10	PA	V0	

Ordering data			
Type	I_{max}	Order No.	Pcs. / Pkt.
STIO 2,5/3-PE/B/L		3209044	50
STIO 2,5/3-PE/B/L-LA24RD/O-M		3209138	50
STIO 2,5/3-PE/B/L-LA24GN/O-M		3209141	50
STIO-IN 2,5/3 OG		3209196	25

Ordering data			
Type	I_{max}	Order No.	Pcs. / Pkt.
STIO-IN 2,5/3 OG		3209196	25

Ordering data			
Type	I_{max}	Order No.	Pcs. / Pkt.
STIO-IN 2,5/3-PE OG		3209086	25

Accessories			
D-STIO 2,5/3		3209112	50
ISH 2,5/0,2		3002843	50
ISH 2,5/0,5		3002856	50
ISH 2,5/1,0		3002869	50
FBS 2-5	20 A	3030161	50
FBS 3-5	20 A	3030174	50
FBS 4-5	20 A	3030187	50
FBS 5-5	20 A	3030190	50
FBS 10-5	20 A	3030213	10
FBS 20-5	20 A	3030226	10
FBS 50-5	20 A	3038930	10
PS-5		3030983	10

Accessories			
ISH 2,5/0,2		3002843	50
ISH 2,5/0,5		3002856	50
ISH 2,5/1,0		3002869	50
FBS 2-5	20 A	3030161	50
FBS 3-5	20 A	3030174	50
FBS 4-5	20 A	3030187	50
FBS 5-5	20 A	3030190	50
FBS 10-5	20 A	3030213	10
FBS 20-5	20 A	3030226	10
FBS 50-5	20 A	3038930	10
PS-5		3030983	10

Accessories			
ISH 2,5/0,2		3002843	50
ISH 2,5/0,5		3002856	50
ISH 2,5/1,0		3002869	50
FBS 2-5	20 A	3030161	50
FBS 3-5	20 A	3030174	50
FBS 4-5	20 A	3030187	50
FBS 5-5	20 A	3030190	50
FBS 10-5	20 A	3030213	10
FBS 20-5	20 A	3030226	10
FBS 50-5	20 A	3038930	10
PS-5		3030983	10

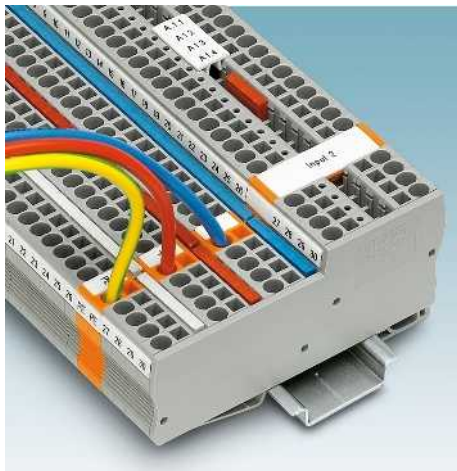
UC-TM 5, UCT-TM 5 or ZB 5
(see Catalog 5)
UC-TMF 5, UCT-TMF 5 or ZBF 5
(see Catalog 5)

UC-TM 5, UCT-TM 5 or ZB 5
(see Catalog 5)
UC-TMF 5, UCT-TMF 5 or ZBF 5
(see Catalog 5)

UC-TM 5, UCT-TM 5 or ZB 5
(see Catalog 5)
UC-TMF 5, UCT-TMF 5 or ZBF 5
(see Catalog 5)

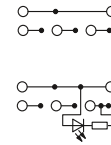
ST spring-cage connection terminal blocks

STIO 2,5/4... four-conductor initiator/actuator terminal block



- For wiring four-conductor initiators and actuators in a space-saving and time-saving way
- Upper level for signal wiring
- Additional protective conductor connection in lower level next to voltage levels
- Direct contacting on the DIN rail, visually clear labeling of PE terminal point
- Positive, negative or PE supply via STIO-IN power terminal blocks
- Lateral or central supply, existing structures can be extended later
- Lateral potential distribution by means of FBS ... plug-in bridges from the CLIPLINE complete system, individual terminal points can be jumped by releasing contact pins
- Versions with light indicator for indicating the switching states

Notes:
For current carrying capacity of DIN rails, see page 716.
For other color versions of the plug-in bridge, see page 473.
1) In the case of central power feed.



2.5 (4) mm², 18 A, four-conductor initiator terminal block



Dimensions	
	[mm]
Max. electrical data	
Rated data	
Rated voltage	[V]
Nominal current / cross section	[A] / [mm ²]
Rated cross section	[mm ²]
Cross section range	AWG
Connection capacity	
1 conductor	[mm ²]
Two stranded conductors with a TWIN ferrule	[mm ²]
General data	
Stripping length	[mm]
Insulating material	
Inflammability class according to UL 94	

Technical data				
Width	Length	Height NS 35/7,5		
5.2	92.3	44.5		
I _{max} [A]	U _{max} [V]	max. Ø [mm ²]	AWG	
18	250	0.08 - 4	28 - 12	
IEC 60947-7-1				
IEC	UL/CUL	CSA	IEC/EN 60079-7	
250	300	-	-	
18 / 2.5	18 / -	-	-	
2.5	-	-	-	
28 - 12	28-12	-	-	
solid		stranded		
Ferrule				
Without / with plastic sleeve				
0.08 - 4	0.08 - 2.5	0.14 - 2.5	0.14 - 2.5	
0.5				
10	PA	V0		

Description	No. of pos.	Color
Terminal block , for mounting on NS 35...		gray
	With red light indicator for 15-30 V DC, 1-2.5 mA, LED between the upper and the lower levels	gray
With green light indicator for 15-30 V DC, 1-2.5 mA, LED between the upper and the lower levels		gray
Terminal block , with PE connection, for mounting on NS 35...		gray
	With red light indicator for 15-30 V DC, 1-2.5 mA, LED between the upper and the lower levels	gray
With green light indicator for 15-30 V DC, 1-2.5 mA, LED between the upper and the lower levels		gray
Power terminal block		orange
Power terminal block with PE connection		orange

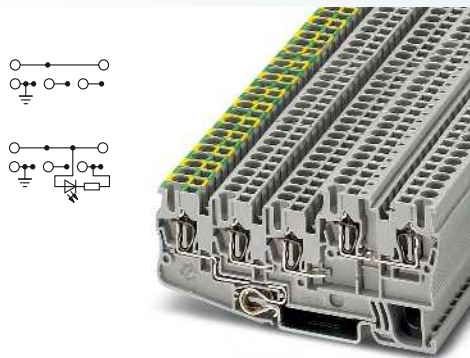
Ordering data			
Type	I _{max}	Order No.	Pcs. / Pkt.
STIO 2,5/4-3B/L		3209057	50
STIO 2,5/4-3B/L-LA24RD/O-M		3209154	50
STIO 2,5/4-3B/L-LA24GN/O-M		3209167	50

Cover , width 2.2 mm		gray
Insulation stop sleeve , cross section range:	0.08 - 0.2 mm ²	white
	0.25 - 0.5 mm ²	gray
	0.75 - 1 mm ²	black
Plug-in bridge	2	red
	3	red
	4	red
	5	red
	10	red
	20	red
	50	red
Modular test plug , for the individual assembly of test plug strips		red

Accessories		
D-STIO 2,5/4	3209125	50
ISH 2,5/0,2	3002843	50
ISH 2,5/0,5	3002856	50
ISH 2,5/1,0	3002869	50
FBS 2-5	20 A	3030161
FBS 3-5	20 A	3030174
FBS 4-5	20 A	3030187
FBS 5-5	20 A	3030190
FBS 10-5	20 A	3030213
FBS 20-5	20 A	3030226
FBS 50-5	20 A	3038930
PS-5		3030983

Center groove labeling
Center and lateral groove labeling

UC-TM 5, UCT-TM 5 or ZB 5 (see Catalog 5)
UC-TMF 5, UCT-TMF 5 or ZBF 5 (see Catalog 5)



2.5 (4) mm², 18 A, four-wire actuator terminal block with PE foot



2.5 (4) mm², 30 A, power terminal block



2.5 (4) mm², 30 A, power terminal block with PE foot



Technical data			
Width	Length	Height NS 35/7,5	
5.2	92.3	44.5	
I_{max} [A]	U_{max} [V]	max. Ø [mm ²]	AWG
18	250	0.08 - 4	28 - 12
IEC 60947-7-1 / IEC 60947-7-2			
IEC	UL/CUL	CSA	IEC/EN 60079-7
250	300	-	-
18 / 2.5	18 / -	-	-
2.5	-	-	-
28 - 12	28-12	-	-
solid	stranded	Ferrule	
Without / with plastic sleeve			
0.08 - 4	0.08 - 2.5	0.14 - 2.5	0.14 - 2.5
0.5			
10	PA	V0	

Technical data			
Width	Length	Height NS 35/7,5	
10.4	92.3	44.5	
I_{max} [A]	U_{max} [V]	max. Ø [mm ²]	AWG
30 ¹⁾	250	0.08 - 4	28 - 12
IEC 60947-7-1			
IEC	UL/CUL	CSA	IEC/EN 60079-7
250	300	-	-
18 / 2.5	20 / -	-	-
2.5	-	-	-
28 - 12	28-12	-	-
solid	stranded	Ferrule	
Without / with plastic sleeve			
0.08 - 4	0.08 - 2.5	0.14 - 2.5	0.14 - 2.5
0.5			
10	PA	V0	

Technical data			
Width	Length	Height NS 35/7,5	
10.4	92.3	44.5	
I_{max} [A]	U_{max} [V]	max. Ø [mm ²]	AWG
30 ¹⁾	250	0.08 - 4	28 - 12
IEC 60947-7-1 / IEC 60947-7-2			
IEC	UL/CUL	CSA	IEC/EN 60079-7
250	300	-	-
18 / 2.5	20 / -	-	-
2.5	-	-	-
28 - 12	28-12	-	-
solid	stranded	Ferrule	
Without / with plastic sleeve			
0.08 - 4	0.08 - 2.5	0.14 - 2.5	0.14 - 2.5
0.5			
10	PA	V0	

Ordering data			
Type	I_{max}	Order No.	Pcs. / Pkt.
STIO 2,5/4-PE/2B/L		3209060	50
STIO 2,5/4-PE/2B/L-LA24RD/O-M		3209170	50
STIO 2,5/4-PE/2B/L-LA24GN/O-M		3209183	50
STIO-IN 2,5/4 OG		3209206	25

Ordering data			
Type	I_{max}	Order No.	Pcs. / Pkt.
STIO-IN 2,5/4 OG		3209206	25

Ordering data			
Type	I_{max}	Order No.	Pcs. / Pkt.
STIO-IN 2,5/4-PE OG		3209109	25

Accessories			
D-STIO 2,5/4		3209125	50
ISH 2,5/0,2		3002843	50
ISH 2,5/0,5		3002856	50
ISH 2,5/1,0		3002869	50
FBS 2-5	20 A	3030161	50
FBS 3-5	20 A	3030174	50
FBS 4-5	20 A	3030187	50
FBS 5-5	20 A	3030190	50
FBS 10-5	20 A	3030213	10
FBS 20-5	20 A	3030226	10
FBS 50-5	20 A	3038930	10
PS-5		3030983	10

Accessories			
ISH 2,5/0,2		3002843	50
ISH 2,5/0,5		3002856	50
ISH 2,5/1,0		3002869	50
FBS 2-5	20 A	3030161	50
FBS 3-5	20 A	3030174	50
FBS 4-5	20 A	3030187	50
FBS 5-5	20 A	3030190	50
FBS 10-5	20 A	3030213	10
FBS 20-5	20 A	3030226	10
FBS 50-5	20 A	3038930	10
PS-5		3030983	10

Accessories			
ISH 2,5/0,2		3002843	50
ISH 2,5/0,5		3002856	50
ISH 2,5/1,0		3002869	50
FBS 2-5	20 A	3030161	50
FBS 3-5	20 A	3030174	50
FBS 4-5	20 A	3030187	50
FBS 5-5	20 A	3030190	50
FBS 10-5	20 A	3030213	10
FBS 20-5	20 A	3030226	10
FBS 50-5	20 A	3038930	10
PS-5		3030983	10

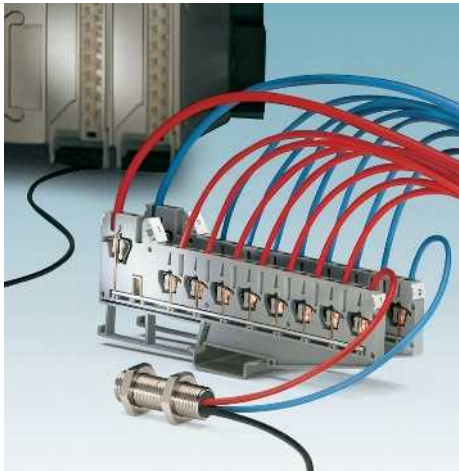
UC-TM 5, UCT-TM 5 or ZB 5
(see Catalog 5)
UC-TMF 5, UCT-TMF 5 or ZBF 5
(see Catalog 5)

UC-TM 5, UCT-TM 5 or ZB 5
(see Catalog 5)
UC-TMF 5, UCT-TMF 5 or ZBF 5
(see Catalog 5)

UC-TM 5, UCT-TM 5 or ZB 5
(see Catalog 5)
UC-TMF 5, UCT-TMF 5 or ZBF 5
(see Catalog 5)

ST spring-cage connection terminal blocks

ZPV 1,5/2,5 (8/1) potential distributor



- Actuators and active initiators are supplied with operating voltage in a clear and easy way
- The operating voltage is supplied via a 2.5 mm² spring-cage connection and distributed using eight 1.5 mm² connections
- They are mainly used in small switch cabinets with compact controllers

Notes:
1) Power supply

○●○○○○○○○○



2.5 (4) mm², 24 A, potential distributor terminal block, 8 x 1.5 mm² outlets



Dimensions				
		[mm]		
Max. electrical data				
Rated data, feed				
Rated voltage		[V]	500	300
Nominal current / cross section		[A] / [mm ²]	24 / 2.5	15 / -
Rated cross section		[mm ²]	2.5	-
Cross section range		AWG	24 - 12	24-10
Supply connection capacity				
1 conductor		[mm ²]	0.2 - 4	0.14 - 2.5
Rated data, distribution				
Rated voltage		[V]	500	300
Nominal current / cross section		[A] / [mm ²]	17.5 / 1.5	15 / -
Rated cross section		[mm ²]	2.5	-
Cross section range		AWG	26 - 16	-
Distribution connection capacity				
1 conductor		[mm ²]	0.14 - 2.5	0.14 - 1.5
General data				
Stripping length		[mm]	10	
Insulating material			PA	
Inflammability class according to UL 94			V0	

Technical data				
Width	Length	Height NS 35/7,5		
5.2	141	51		
I _{max} [A]	U _{max} [V]	max. Ø [mm ²]	AWG	
24 ¹⁾	500	0.14 - 4	24 - 12	
IEC 60947-7-1				
IEC	UL/CUL	CSA	IEC/EN 60079-7	
Rated voltage				
500	300	-	-	
Nominal current / cross section				
24 / 2.5	15 / -	-	-	
Rated cross section				
2.5	-	-	-	
Cross section range				
24 - 12	24-10	-	-	
Supply connection capacity				
solid	stranded		Ferrule	
			Without / with plastic sleeve	
0.2 - 4	0.14 - 2.5	0.14 - 2.5	0.14 - 2.5	
IEC	UL/CUL	CSA	IEC/EN 60079-7	
Rated voltage				
500	300	-	-	
Nominal current / cross section				
17.5 / 1.5	15 / -	-	-	
Rated cross section				
2.5	-	-	-	
Cross section range				
26 - 16	-	-	-	
Distribution connection capacity				
solid	stranded		Ferrule	
			Without / with plastic sleeve	
0.14 - 2.5	0.14 - 1.5	0.14 - 1.5	0.14 - 1.5	

Description	No. of pos.	Color
Potential distributor, for mounting on NS 35...		gray

Ordering data			
Type	I _{max}	Order No.	Pcs. / Pkt.
ZPV 1,5/2,5 (8/1)		3031047	50

Cover, width 2 mm		gray
Insulation stop sleeve, cross section range:		
0.08 - 0.2 mm ²		white
0.25 - 0.5 mm ²		gray
Plug-in bridge		
	2	red
	3	red
	4	red
	5	red
	10	red
	20	red
Screwdriver		

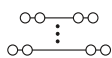
Accessories		
D-ZPV 1,5/2,5 (8/1)	Order No.	Pcs.
D-ZPV 1,5/2,5 (8/1)	3031050	25
ISH 1,5/0,2	3206131	50
ISH 1,5/0,5	3031034	50
FBS 2-5	24 A	3030161
FBS 3-5	24 A	3030174
FBS 4-5	24 A	3030187
FBS 5-5	24 A	3030190
FBS 10-5	24 A	3030213
FBS 20-5	24 A	3030226
SZF 1-0,6X3,5		1204517

Center groove labeling
Center and lateral groove labeling

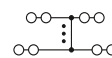
UC-TM 5, UCT-TM 5 or ZB 5 (see Catalog 5)
UC-TMF 5, UCT-TMF 5 or ZBF 5 (see Catalog 5)

ZRV 8 ... marshalling distributors

- The spring-cage marshalling distributors offer the highest possible wiring density in restricted spaces
- The double connection allows 4 conductors to make contact with one potential, whereby 8 potentials are transferred with one terminal block
- The associated PV terminal block can be used to implement potential distributions with up to 32 connections



1 (1.5) mm², 10 A, potential distributor terminal block, 8 levels



1 (1.5) mm², 17.5 A, potential distributor terminal block, 8 internally connected levels



Technical data				
Width	Length	Height NS 35/7,5		
7.62	225	82		
I _{max.} [A]	U _{max.} [V]	max. Ø [mm ²]	AWG	
10	250	0.14 - 1.5	26 - 14	
IEC 60947-7-1				
IEC	UL/CUL	CSA	IEC/EN 60079-7	
Rated voltage [V]	250	-	-	-
Nominal current / cross section [A] / [mm ²]	10 / 1	- / -	-	-
Rated cross section [mm ²]	1	-	-	-
Cross section range AWG	26 - 14	-	-	-
Connection capacity	solid	stranded	Ferrule	
			Without / with plastic sleeve	
1 conductor [mm ²]	0.14 - 1.5	0.14 - 1	0.14 - 0.75	0.14 - 0.75
General data				
Stripping length [mm]	8			
Insulating material	PA			
Inflammability class according to UL 94	V0			



Technical data				
Width	Length	Height NS 35/7,5		
7.62	225	82		
I _{max.} [A]	U _{max.} [V]	max. Ø [mm ²]	AWG	
17.5	250	0.14 - 1.5	26 - 14	
IEC 60947-7-1				
IEC	UL/CUL	CSA	IEC/EN 60079-7	
Rated voltage [V]	250	-	-	-
Nominal current / cross section [A] / [mm ²]	17.5 / 1	- / -	-	-
Rated cross section [mm ²]	1	-	-	-
Cross section range AWG	26 - 14	-	-	-
Connection capacity	solid	stranded	Ferrule	
			Without / with plastic sleeve	
1 conductor [mm ²]	0.14 - 1.5	0.14 - 1	0.14 - 0.75	0.14 - 0.75
General data				
Stripping length [mm]	8			
Insulating material	PA			
Inflammability class according to UL 94	V0			

Dimensions	
	[mm]
Max. electrical data	
Rated data	
Rated voltage [V]	250
Nominal current / cross section [A] / [mm ²]	10 / 1
Rated cross section [mm ²]	1
Cross section range AWG	26 - 14
Connection capacity	
1 conductor [mm ²]	0.14 - 1.5
General data	
Stripping length [mm]	8
Insulating material	PA
Inflammability class according to UL 94	V0

Description	Color
Marshalling distributor, for mounting on NS 35...	gray
Marshalling distributor, with equipotential bonding between the levels, for mounting on NS 35...	blue
	gray
	blue

Connection element, 7.62 mm wide, can be labeled on each level with ZB 7,62	gray
	blue
Loop bridge, 50-pos., divisible, max. bridging distance 60 mm, 0.5 mm ²	blue
	black
	gray
Clamp set, for holding together RV blocks, for 80 marshalling distributors	
Screwdriver	

Center groove labeling

Ordering data			
Type	Order No.	Pcs. / Pkt.	
ZRV 8	3025956	10	
ZRV 8 BU	3029318	10	

Accessories			
D-ZRV 8	3024766	10	
D-ZRV 8 BU	3029334	10	
DB 50- 90 BU	2821180	1	
DB 50- 90 BK	2820916	1	
DB 50- 90 GY	2820929	1	
RV 8-SPSA	3193011	1	
SZF 0-0,4X2,5	1204504	10	

ZB 7,62 (see Catalog 5)

Ordering data			
Type	Order No.	Pcs. / Pkt.	
ZRV 8-PV	3026007	10	
ZRV 8-PV BU	3029321	10	

Accessories			
D-ZRV 8	3024766	10	
D-ZRV 8 BU	3029334	10	
RV 8-SPSA	3193011	1	
SZF 0-0,4X2,5	1204504	10	

ZB 7,62 (see Catalog 5)

ST spring-cage connection terminal blocks

ST ...-HESI/-HEDI lever-type fuse and disconnect terminal blocks



The lever-type fuse terminal blocks are characterized by:

- An extremely compact design
- Two function shafts mean that all potential distribution tasks can be undertaken at speed
- For example, jumping bridging can be used to route two separate potentials side by side
- Test connection on both sides in safety lever
- Versions with light indicator for indicating that a fuse has blown round off the range

Notes:
¹⁾ If the fuse is faulty, the downstream circuit is not off load.
²⁾ The current is determined by the fuse used, the voltage by the light indicator. Observe max. power dissipation.
³⁾ The reducing bridge table should be followed, see page 476.
⁴⁾ The current is determined by the fuse used, the voltage by the selected light indicator. Observe the maximum power dissipation, see www.phoenixcontact.net/products .



The lever-type disconnect terminal block has the same shape and pitch as the 5 x 20 mm lever-type fuse terminal blocks and enables:

- A design to suit the function
- Continuous labeling of terminal points
- The dual function shaft allows two potentials running in parallel to be jumped separately
- Time-saving way of setting up potential in-feed

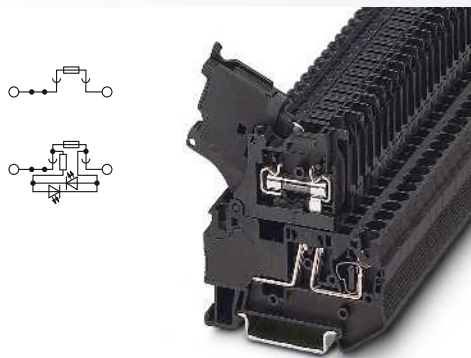
Dimensions	
	[mm]
Max. electrical data	
Rated data	
Rated voltage	[V]
Nominal current / cross section	[A] / [mm ²]
Rated cross section	[mm ²]
Cross section range	AWG
Connection capacity	
1 conductor	[mm ²]
Two stranded conductors with a TWIN ferrule	[mm ²]
General data	
Fuse type / dimensions	- / [mm]
Stripping length	[mm]
Insulating material	
Inflammability class according to UL 94	

Description	No. of pos.	Color
Fuse terminal block , for mounting on NS 35..., for cartridge fuse inserts 5 x 20 mm		black
With LED for 12-30 V AC/DC, 0.31-0.95 mA ¹⁾		black
With LED for 30-60 V AC/DC, 0.40-0.86 mA ¹⁾		black
With LED for 110-250 V AC/DC, 0.41-0.96 mA ¹⁾		black
Fuse terminal block , for mounting on NS 35..., for cartridge fuse inserts 6.3 x 32 mm		black
With LED for 12-30 V AC/DC, 0.31-0.95 mA ¹⁾		black
With LED for 110-250 V AC/DC, 0.41-0.96 mA ¹⁾		black
Disconnect terminal block , same shape as ST 4-HESI (5 x 20)		black/orange

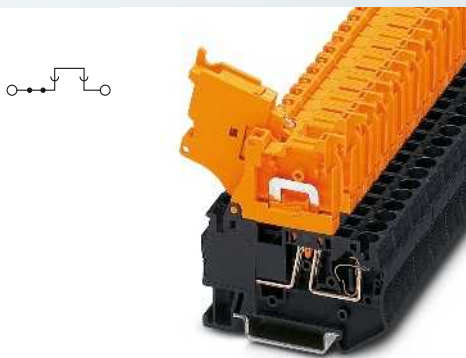
Plug-in bridge		
	2	red
	3	red
	4	red
	5	red
	10	red
	20	red

Reducing bridge ³⁾		
	2	red
Partition plate , 2 mm width		gray
Connection pin , for coupling several fuse terminal blocks, made of plastic, 1 m long		gray

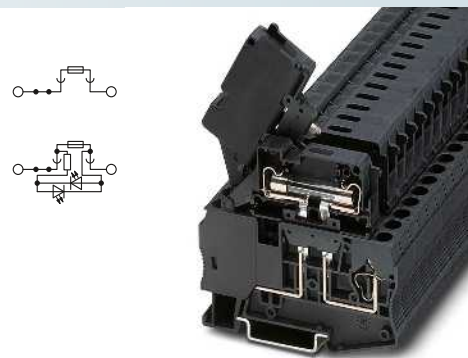
Screwdriver
Lever labeling
Lateral groove labeling



4 (6) mm², 6.3 A, lever-type fuse terminal block for 5 x 20 mm cartridge fuses



4 (6) mm², 20 A, lever-type disconnect terminal block, same shape



4 (6) mm², 10 A, lever-type fuse terminal block for 6.3 x 32 mm cartridge fuses



Technical data				
Width	Length	Height NS 35/7,5		
6.2	61.5	62.5		
I_{max} [A]	U_{max} [V]	max. Ø [mm ²]	AWG	
6.3 ^{*)}	500 ^{*)}	0.08 - 6	28 - 10	
IEC 60947-7-3				
IEC	UL/CUL	CSA	IEC/EN 60079-7	
500 ^{*)}	300	300	-	
6.3 ^{*)} / 1	10 / -	6.3 / -	-	
4	-	-	-	
28 - 10	28-10	28-10	-	
solid	stranded	Ferrule		
Without / with plastic sleeve				
0.08 - 6	0.08 - 4	0.14 - 4	0.14 - 4 0.5 - 1	
G / 5 x 20				
10				
PA				
V0				

Technical data				
Width	Length	Height NS 35/7,5		
6.2	61.5	62.5		
I_{max} [A]	U_{max} [V]	max. Ø [mm ²]	AWG	
20	500	0.08 - 6	28 - 10	
IEC 60947-7-1				
IEC	UL/CUL	CSA	IEC/EN 60079-7	
500	-	-	-	
20 / 2.5	- / -	-	-	
4	-	-	-	
28 - 10	-	-	-	
solid	stranded	Ferrule		
Without / with plastic sleeve				
0.08 - 6	0.08 - 4	0.14 - 4	0.14 - 4 0.5 - 1	
-				
10				
PA				
V0				

Technical data				
Width	Length	Height NS 35/7,5		
8.2	76.5	69		
I_{max} [A]	U_{max} [V]	max. Ø [mm ²]	AWG	
10 ^{*)}	500 ^{*)}	0.08 - 6	28 - 10	
IEC 60947-7-3				
IEC	UL/CUL	CSA	IEC/EN 60079-7	
500 ^{*)}	300	300	-	
10 ^{*)} / 1.5	15 / -	10 / -	-	
4	-	-	-	
28 - 10	28-10	28-10	-	
solid	stranded	Ferrule		
Without / with plastic sleeve				
0.08 - 6	0.08 - 4	0.14 - 4	0.14 - 4 0.5 - 1	
G / 6,3 x 32				
10				
PA				
V0				

Ordering data			
Type	I_{max}	Order No.	Pcs. / Pkt.
ST 4-HESI (5X20)		3036369	50
ST 4-HESILED 24 (5X20)		3036547	50
ST 4-HESILED 60 (5X20)		3036550	50
ST 4-HESILA 250 (5X20)		3036563	50
ST 4-HEDI		3035140	50

Ordering data			
Type	I_{max}	Order No.	Pcs. / Pkt.
ST 4-HESI (6,3X32)		3036385	50
ST 4-HESILED 24 (6,3X32)		3038765	50
ST 4-HESILA 250 (6,3X32)		3038778	50
ST 4-HEDI		3035140	50

Ordering data			
Type	I_{max}	Order No.	Pcs. / Pkt.
ST 4-HESI (6,3X32)		3036385	50
ST 4-HESILED 24 (6,3X32)		3038765	50
ST 4-HESILA 250 (6,3X32)		3038778	50
ST 4-HEDI		3035140	50

Accessories			
FBS 2-6	32 A	3030336	50
FBS 3-6	32 A	3030242	50
FBS 4-6	32 A	3030255	50
FBS 5-6	32 A	3030349	50
FBS 10-6	32 A	3030271	10
FBS 20-6	32 A	3030365	10
RB ST (2,5/4)-1,5		3038943	10
ATP-ST 4		3030721	50
VS		3004207	1
SZF 1-0,6X3,5		1204517	10
UC-TM 5, UCT-TM 5 or ZB 5 (see Catalog 5)			
UC-TMF 6, UCT-TMF 6 or ZBF 6 (see Catalog 5)			

Accessories			
FBS 2-6	32 A	3030336	50
FBS 3-6	32 A	3030242	50
FBS 4-6	32 A	3030255	50
FBS 5-6	32 A	3030349	50
FBS 10-6	32 A	3030271	10
FBS 20-6	32 A	3030365	10
RB ST (2,5/4)-1,5		3038943	10
ATP-ST 4		3030721	50
VS		3004207	1
SZF 1-0,6X3,5		1204517	10
UC-TM 5, UCT-TM 5 or ZB 5 (see Catalog 5)			

Accessories			
FBS 2-8	32 A	3030284	10
FBS 3-8	32 A	3030297	10
FBS 4-8	32 A	3030307	10
FBS 5-8	32 A	3030310	10
FBS 10-8	32 A	3030323	10
RB ST 6-(2,5/4)		3030860	10
ATP-QTC TWIN		3206212	50
VS		3004207	1
SZF 1-0,6X3,5		1204517	10
UC-TM 6, UCT-TM 6 or ZB 6 (see Catalog 5)			
UC-TMF 8, UCT-TMF 8 or ZBF 8 (see Catalog 5)			

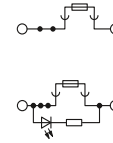
ST spring-cage connection terminal blocks

ST 4-FSI/C... fuse terminal blocks for auto flat-type fuses



- The ST 4-FSI/C fuse terminal block accommodates flat-type fuses according to ISO/DIS 8820/DIN 72581-3 or the TCP .../DC32V thermal miniature circuit breaker as the fuse element; see Catalog 6
- Versions with light indicator for indicating that a fuse has blown

Notes:
The recommended continuous load capacity of auto fuse inserts according to DIN 72581/Part 3 is a maximum of 80% of their nominal current (at an ambient temperature of 23°C).
1) If the fuse is faulty, the downstream circuit is not off load.
2) The current is determined by the fuse used, the voltage by the light indicator.
3) For derating curve, visit www.phoenixcontact.net/products



4 (6) mm², 30 A, fuse terminal block for type C flat-type fuses



Dimensions	
	[mm]
Max. electrical data	
Rated data	
Rated voltage	[V]
Nominal current / cross section	[A] / [mm ²]
Rated cross section	[mm ²]
Cross section range	AWG
Connection capacity	
1 conductor	[mm ²]
Two stranded conductors with a TWIN ferrule	[mm ²]
General data	
Fuse type / dimensions	- / [mm]
Stripping length	[mm]
Insulating material	
Inflammability class according to UL 94	

Technical data			
Width	Length	Height NS 35/7,5	
8.2	86.5	43.5	
I _{max} [A]	U _{max} [V]	max. Ø [mm ²]	AWG
30 ²	400 ²	0.08 - 6	28 - 10
IEC	UL/CUL	CSA	IEC/EN 60079-7
400 ²	300	300	-
30 ² / 4	30 / -	10 / -	-
4	-	-	-
28 - 10	28-10	28-10	-
solid	stranded	Ferrule	
		Without / with plastic sleeve	
0.08 - 6	0.08 - 4	0.14 - 4	0.14 - 4
			0.5 - 1
C			
10			
PA			
V0			

Description	No. of pos.	Color
Fuse terminal block, with spring-cage connection, for mounting on NS 35...		black
Fuse terminal block, with light indicator for 12 V DC, 1.7 mA ¹⁾		black
With light indicator for 24 V DC, 1.9 mA ¹⁾		black

Ordering data			
Type	I _{max}	Order No.	Pcs. / Pkt.
ST 4-FSI/C		3036372	50
ST 4-FSI/C-LED 12		3036495	50
ST 4-FSI/C-LED 24		3036505	50

Insulation stop sleeve, cross section range:		
0.25 - 0.5 mm ²		gray
0.75 - 1 mm ²		black
Plug-in bridge		
	2	red
	3	red
	4	red
	5	red
	10	red
Test adapter, 4-mm test socket hole		
		gray
Test plug metal part, 2.3 mm Ø		
		red
Insulating sleeve, for MPS metal part		
		red
Modular test plug, for the individual assembly of test plug strips		
		red

Accessories			
ISH 4/0,5		3002885	50
ISH 4/1,0		3002898	50
FBS 2-8	41 A	3030284	10
FBS 3-8	41 A	3030297	10
FBS 4-8	41 A	3030307	10
FBS 5-8	41 A	3030310	10
FBS 10-8	41 A	3030323	10
PAI-4-N GY		3032871	10
MPS-MT		0201744	10
MPS-IH RD		0201676	10
PS-8		3031005	10
SZF 1-0,6X3,5		1204517	10



Screwdriver
Center groove labeling
Center and lateral groove labeling

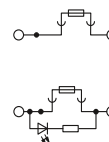
UC-TM 8, UCT-TM 8 or ZB 8 (see Catalog 5)
UC-TMF 8, UCT-TMF 8 or ZBF 8 (see Catalog 5)

ZFK 6 ... fuse terminal blocks with screw cap



- For standardized 5 x 20 mm and 6.3 x 32 mm fuse formats, the ZFK 6-DREHSI ... should be used
- With fuse screw cap
- Versions with light indicator for indicating that a fuse has blown

Notes:
1) If the fuse is faulty, the downstream circuit is not off load.
2) The current is determined by the fuse used, the voltage by the selected light indicator. Observe the maximum power dissipation, see www.phoenixcontact.net/products .



6 (10) mm², 10 A, fuse terminal block for cartridge fuses



Dimensions	
	[mm]
Max. electrical data	
Rated data	
Rated voltage	[V]
Nominal current / cross section	[A] / [mm ²]
Rated cross section	[mm ²]
Cross section range	AWG
Connection capacity	
1 conductor	[mm ²]
Two stranded conductors with a TWIN ferrule	[mm ²]
General data	
Fuse type / dimensions	- / [mm]
Stripping length	[mm]
Insulating material	
Inflammability class according to UL 94	

Technical data			
Width	Length	Height NS 35/7,5	
12	86.5	56.5	
I _{max} [A]	U _{max} [V]	max. Ø [mm ²]	AWG
10 ²	800 ²	0.5 - 10	20 - 8
IEC 60947-7-3			
IEC	UL/CUL	CSA	IEC/EN 60079-7
800 ²	600	-	-
10 ² / 1.5	20 / -	-	-
6	-	-	-
20 - 8	20-8	-	-
solid		stranded	
		Ferrule	
		Without / with plastic sleeve	
0.5 - 10	0.5 - 6	0.5 - 6	0.5 - 6
		0.5 - 1.5	
G / 5 x 20			
12			
PA			
V0			

Description	No. of pos.	Color
Fuse terminal block , for mounting on NS 35..., for cartridge fuse inserts 5 x 20 mm		black
For cartridge fuse inserts 6.3 x 32 mm		black
Fuse terminal block , for mounting on NS 35..., for 5 x 25 mm cartridge fuse inserts, with indicating pin		black
Fuse terminal block , for mounting on NS 35..., for cartridge fuse inserts 5 x 20 mm, with light indicator for 12 - 30 V DC, 0.7 - 2.4 mA ¹⁾		black
For cartridge fuse inserts 6.3 x 32 mm		black
Fuse terminal block , for mounting on NS 35..., for 5 x 20 mm cartridge fuse inserts, with light indicator for 110 - 250 V AC/DC, 0.2 - 0.9 mA ¹⁾		black
For cartridge fuse inserts 6.3 x 32 mm		black

Ordering data			
Type	I _{max}	Order No.	Pcs. / Pkt.
ZFK 6-DREHSI (5X20)		3025040	25
ZFK 6-DREHSI (6,3X32)		3025273	25
ZFK 6-DREHSI/K (5X25)		3029457	25
ZFK 6-DREHSILED 24 (5X20)		3025600	25
ZFK 6-DREHSILED 24 (6,3X32)		3025587	25
ZFK 6-DREHSILA 250 (5X20)		3025590	25
ZFK 6-DREHSILA 250 (6,3X32)		3025574	25

Fixed bridge , insulated	10	silver
Test plug metal part , 2.3 mm Ø		
Insulating sleeve , for MPS metal part		red
Screwdriver		

Accessories			
Type	I _{max}	Order No.	Pcs. / Pkt.
FBI 10-12	57 A	0203454	10
MPS-MT		0201744	10
MPS-IH RD		0201676	10
SZF 2-0,8X4,0		1204520	10

Center and lateral groove labeling

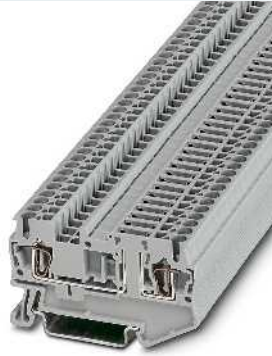
UC-TMF 12, UCT-TMF 12 or ZBF 12 (see Catalog 5)

ST spring-cage connection terminal blocks

ST ...-TG disconnect terminal blocks for accommodating function plugs

– For corresponding function plugs, see page 480

Notes:
1) The total current of all connected conductors must not exceed the max. load current.
2) If the fuse is faulty, the downstream circuit is not off load.
3) Observe max. load current.
4) Observe max. load current, depending on the power dissipation of the components. Max. 0.5 W with single arrangement.
5) For max. power dissipation, see page 724.
6) Current and voltage are determined by the plug used.
7) Lower level.



2.5 (4) mm², 20 A, disconnect terminal block



2.5 (4) mm², 20 A, disconnect terminal block, 3 connections



Dimensions		[mm]
Max. electrical data		
Rated data		
Rated voltage	[V]	400 ⁶⁾
Nominal current / cross section	[A] / [mm ²]	20 ⁶⁾ / 2.5
Rated cross section	[mm ²]	2.5
Cross section range	AWG	28 - 12
Connection capacity		
1 conductor	[mm ²]	0.08 - 4
Two stranded conductors with a TWIN ferrule	[mm ²]	0.08 - 2.5
General data		
Stripping length	[mm]	10
Insulating material		PA
Inflammability class according to UL 94		V0

Technical data				
Width	Length	Height NS 35/7,5		
5.2	60.5	36.5		
I_{max} [A]	U_{max} [V]	max. Ø [mm ²]	AWG	
20 ¹⁾	400 ⁶⁾	0.08 - 4	28 - 12	
IEC 60947-7-1				
IEC	UL/CUL	CSA	IEC/EN 60079-7	
Rated voltage	300	300	-	
Nominal current / cross section	16 / -	16 / -	-	
Rated cross section	-	-	-	
Cross section range	28-12	28-12	-	
Connection capacity				
		Ferrule		
		Without / with plastic sleeve		
1 conductor	0.08 - 4	0.08 - 2.5	0.14 - 2.5	0.14 - 2.5
Two stranded conductors with a TWIN ferrule				0.5
General data				
Stripping length	10			
Insulating material	PA			
Inflammability class according to UL 94	V0			

Technical data				
Width	Length	Height NS 35/7,5		
5.2	72	36.5		
I_{max} [A]	U_{max} [V]	max. Ø [mm ²]	AWG	
20 ¹⁾	400 ⁶⁾	0.08 - 4	28 - 12	
IEC 60947-7-1				
IEC	UL/CUL	CSA	IEC/EN 60079-7	
Rated voltage	300	300	-	
Nominal current / cross section	16 / -	16 / -	-	
Rated cross section	-	-	-	
Cross section range	28-12	28-12	-	
Connection capacity				
		Ferrule		
		Without / with plastic sleeve		
1 conductor	0.08 - 4	0.08 - 2.5	0.14 - 2.5	0.14 - 2.5
Two stranded conductors with a TWIN ferrule				0.5
General data				
Stripping length	10			
Insulating material	PA			
Inflammability class according to UL 94	V0			

Description	No. of pos.	Color
Basic terminal block , for mounting on NS 35...		gray

Ordering data			
Type	I_{max}	Order No.	Pcs. / Pkt.
ST 2,5-TG		3038435	50

Ordering data			
Type	I_{max}	Order No.	Pcs. / Pkt.
ST 2,5-TWIN-TG		3038448	50

Cover , width 2.2 mm	gray
Cover , 0.8 mm width	orange
End cover segment , for covering multi-conductor terminal blocks when two-conductor terminal blocks are aligned	gray
Plug-in bridge	
	2 red
	3 red
	4 red
	5 red
	10 red
	20 red
Partition plate , 2 mm width	gray
Test adapter , 4-mm test socket hole	gray
Test plug metal part , 2.3 mm Ø	
Insulating sleeve , for MPS metal part	red
Modular test plug , for the individual assembly of test plug strips	red
Isolating plug ³⁾	orange
Feed-through connector ³⁾	gray
Component plug , labeled with ZBF 5 or UC-TMF 5 ⁴⁾	gray
Fuse plug , width 5.2 mm ²⁾	black
With LED for 12-30 V DC, 0.35-0.95 mA	black
For 30-60 V AC/DC, 0.36-0.95 mA	black
For 110-250 V AC/DC, 0.4-0.95 mA	black
Screwdriver	
Center groove labeling	
Center and lateral groove labeling	

Accessories			
Type	I_{max}	Order No.	Pcs. / Pkt.
D-ST 2,5-TWIN		3030488	50
D-ST 2,5-TWIN-0,8 OG		3030512	50
DS-ST 2,5		3036602	10
FBS 2-5	24 A	3030161	50
FBS 3-5	24 A	3030174	50
FBS 4-5	24 A	3030187	50
FBS 5-5	24 A	3030190	50
FBS 10-5	24 A	3030213	10
FBS 20-5	24 A	3030226	10
ATP-ST-TWIN		3030789	50
PAI-4-N GY		3032871	10
MPS-MT		0201744	10
MPS-IH RD		0201676	10
PS-5		3030983	10
P-DI		3036783	50
P-FIX		3038956	50
P-CO		3036796	10
P-FU 5X20-5		3209235	10
P-FU 5X20 LED 24-5		3209248	10
P-FU 5X20 LED 60-5		3209251	10
P-FU 5X20 LED 250-5		3209264	10
SZF 1-0,6X3,5		1204517	10

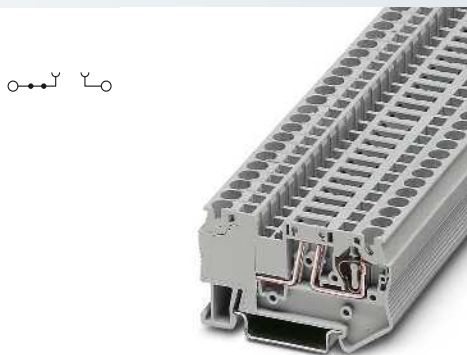
Accessories			
Type	I_{max}	Order No.	Pcs. / Pkt.
D-ST 2,5-QUATTRO		3030514	50
D-ST 2,5-QUATTRO-0,8 OG		3030513	50
DS-ST 2,5		3036602	10
FBS 2-5	24 A	3030161	50
FBS 3-5	24 A	3030174	50
FBS 4-5	24 A	3030187	50
FBS 5-5	24 A	3030190	50
FBS 10-5	24 A	3030213	10
FBS 20-5	24 A	3030226	10
ATP-ST QUATTRO		3030815	50
PAI-4-N GY		3032871	10
MPS-MT		0201744	10
MPS-IH RD		0201676	10
PS-5		3030983	10
P-DI		3036783	50
P-FIX		3038956	50
P-CO		3036796	10
P-FU 5X20-5		3209235	10
P-FU 5X20 LED 24-5		3209248	10
P-FU 5X20 LED 60-5		3209251	10
P-FU 5X20 LED 250-5		3209264	10
SZF 1-0,6X3,5		1204517	10

UC-TM 5, UCT-TM 5 or ZB 5 (see Catalog 5)
UC-TMF 5, UCT-TMF 5 or ZBF 5 (see Catalog 5)

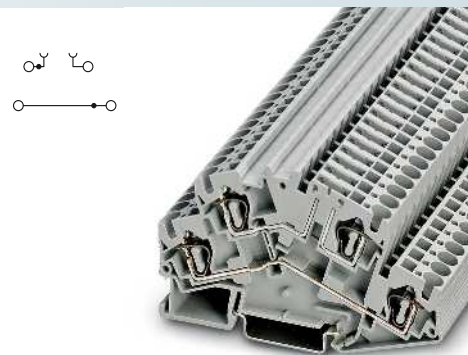
UC-TM 5, UCT-TM 5 or ZB 5 (see Catalog 5)
UC-TMF 5, UCT-TMF 5 or ZBF 5 (see Catalog 5)



2.5 (4) mm², 20 A, disconnect terminal block, 4 connections



4 (6) mm², 20 A, disconnect terminal block



4 (6) mm², 20 A, double-level terminal block with disconnect zone



Technical data			
Width	Length	Height NS 35/7,5	
5.2	84	36.5	
I_{max} [A]	U_{max} [V]	max. Ø [mm ²]	AWG
20 ^{*)}	400 ^{*)}	0.08 - 4	28 - 12
IEC 60947-7-1			
IEC	UL/CUL	CSA	IEC/EN 60079-7
400 ^{*)}	300	300	-
20 ^{*)} / 2.5	16 / -	16 / -	-
2.5	-	-	-
28 - 12	28-12	28-12	-
solid	stranded	Ferrule	
Without / with plastic sleeve			
0.08 - 4	0.08 - 2.5	0.14 - 2.5	0.14 - 2.5
0.5			
10	PA	V0	

Technical data			
Width	Length	Height NS 35/7,5	
6.2	61.5	36.5	
I_{max} [A]	U_{max} [V]	max. Ø [mm ²]	AWG
20 ^{*)}	400 ^{*)}	0.08 - 6	28 - 10
IEC 60947-7-1			
IEC	UL/CUL	CSA	IEC/EN 60079-7
400 ^{*)}	300	300	-
20 ^{*)} / 2.5	10 / -	16 / -	-
4	-	-	-
28 - 10	28-10	28-10	-
solid	stranded	Ferrule	
Without / with plastic sleeve			
0.08 - 6	0.08 - 4	0.14 - 4	0.14 - 4
0.5 - 0.5			
10	PA	V0	

Technical data			
Width	Length	Height NS 35/7,5	
6.2	92.4	55	
I_{max} [A]	U_{max} [V]	max. Ø [mm ²]	AWG
34 ^{*)}	500 ^{*)}	0.08 - 6	28 - 10
IEC 60947-7-1			
IEC	UL/CUL	CSA	IEC/EN 60079-7
500 ^{*)}	600	-	-
20 ^{*)} / 2.5	16 / -	-	-
4	-	-	-
28 - 10	28-10	-	-
solid	stranded	Ferrule	
Without / with plastic sleeve			
0.08 - 6	0.08 - 4	0.14 - 4	0.14 - 4
0.5 - 1			
10	PA	V0	

Ordering data			
Type	I_{max}	Order No.	Pcs. / Pkt.
ST 2,5-QUATTRO-TG		3038451	50

Ordering data			
Type	I_{max}	Order No.	Pcs. / Pkt.
ST 4-TG		3038367	50

Ordering data			
Type	I_{max}	Order No.	Pcs. / Pkt.
STBS 4-TG		3035483	50

Accessories			
D-ST 2,5-QUATTRO-MT		3038590	50
DS-ST 2,5		3036602	10
FBS 2-5	24 A	3030161	50
FBS 3-5	24 A	3030174	50
FBS 4-5	24 A	3030187	50
FBS 5-5	24 A	3030190	50
FBS 10-5	24 A	3030213	10
FBS 20-5	24 A	3030226	10
PAI-4-N GY		3032871	10
MPS-MT		0201744	10
MPS-IH RD		0201676	10
PS-5		3030983	10
P-DI		3036783	50
P-FIX		3038956	50
P-CO		3036796	10
P-FU 5X20-5		3209235	10
P-FU 5X20 LED 24-5		3209248	10
P-FU 5X20 LED 60-5		3209251	10
P-FU 5X20 LED 250-5		3209264	10
SZF 1-0,6X3,5		1204517	10

Accessories			
FBS 2-6	32 A	3030336	50
FBS 3-6	32 A	3030242	50
FBS 4-6	32 A	3030255	50
FBS 5-6	32 A	3030349	50
FBS 10-6	32 A	3030271	10
FBS 20-6	32 A	3030365	10
ATP-ST 4		3030721	50
PAI-4-N GY		3032871	10
MPS-MT		0201744	10
MPS-IH RD		0201676	10
PS-6		3030996	10
P-DI		3036783	50
P-FIX		3038956	50
P-CO		3036796	10
P-FU 5X20		3036806	10
P-FU 5X20 LED 24		3036819	10
P-FU 5X20 LED 60		3036822	10
P-FU 5X20 LA 250		3036835	10
SZF 1-0,6X3,5		1204517	10

Accessories			
D-STBS 4-MT		3035548	50
FBS 2-6	28 A	3030336	50
FBS 3-6	28 A	3030242	50
FBS 4-6	28 A	3030255	50
FBS 5-6	28 A	3030349	50
FBS 10-6	28 A	3030271	10
FBS 20-6	28 A	3030365	10
ATP-STTB 4		3030747	50
PAI-4-N GY		3032871	10
MPS-MT		0201744	10
MPS-IH RD		0201676	10
PS-6		3030996	10
P-DI		3036783	50
P-FIX		3038956	50
P-CO		3036796	10
P-FU 5X20		3036806	10
P-FU 5X20 LED 24		3036819	10
P-FU 5X20 LED 60		3036822	10
P-FU 5X20 LA 250		3036835	10
SZF 1-0,6X3,5		1204517	10

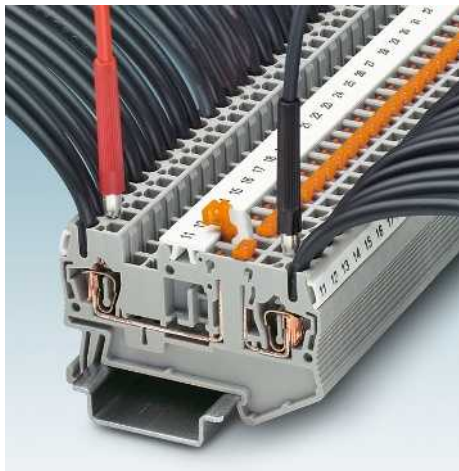
UC-TM 5, UCT-TM 5 or ZB 5
(see Catalog 5)
UC-TMF 5, UCT-TMF 5 or ZBF 5
(see Catalog 5)

UC-TM 6, UCT-TM 6 or ZB 6
(see Catalog 5)
UC-TMF 6, UCT-TMF 6 or ZBF 6
(see Catalog 5)

UC-TM 6, UCT-TM 6 or ZB 6
(see Catalog 5)
UC-TMF 6, UCT-TMF 6 or ZBF 6
(see Catalog 5)

ST spring-cage connection terminal blocks

ST ...-MT knife disconnect terminal blocks



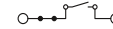
- Compact knife disconnect terminal block with a current carrying capacity of 20 A
- Seamless and can be double bridged for all tasks in time-saving potential supply and distribution
- Test connection parallel to disconnect point for test plugs with a 2.3 mm diameter
- Three and four-conductor terminal blocks can be used for multi-conductor connections
- User-friendly wiring thanks to front connection

S-MT switching lock

- The optional switching lock snaps in and effectively prevents accidental switching



Notes:
1) The total current of all connected conductors must not exceed the max. load current.
2) Also see page 480.



2.5 (4) mm², 20 A, knife disconnect terminal block



Dimensions	
	[mm]
Max. electrical data	
Rated voltage	[V]
Nominal current / cross section	[A] / [mm ²]
Rated cross section	[mm ²]
Cross section range	AWG
Connection capacity	
1 conductor	[mm ²]
Two stranded conductors with a TWIN ferrule	[mm ²]
General data	
Stripping length	[mm]
Insulating material	
Inflammability class according to UL 94	

Technical data				
Width	Length	Height NS 35/7,5		
5.2	60.5	36.5		
I _{max} [A]	U _{max} [V]	max. Ø [mm ²]	AWG	
20	400	0.08 - 4	28 - 12	
IEC 60947-7-1				
IEC	UL/CUL	CSA	IEC/EN 60079-7	
400	600	300	-	
20 / 2.5	16 / -	16 / -	-	
2.5	-	-	-	
28 - 12	28-12	28-12	-	
Connection capacity		Ferrule		
solid	stranded	Without / with plastic sleeve		
0.08 - 4	0.08 - 2.5	0.14 - 2.5	0.14 - 2.5	
			0.5	
10	PA	V0		

Description	No. of pos.	Color
Knife disconnect terminal block, for mounting on NS 35...		gray
		blue

Ordering data			
Type	I _{max}	Order No.	Pcs. / Pkt.
ST 2,5-MT		3036343	50
ST 2,5-MT BU		3037818	50

Cover, width 2.2 mm		gray
Cover, 0.8 mm width		orange
End cover segment, for covering multi-conductor terminal blocks when two-conductor terminal blocks are aligned		gray
Plug-in bridge		
	2	red
	3	red
	4	red
	5	red
	10	red
	20	red

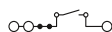
Accessories		
Accessories	Order No.	Pcs.
D-ST 2,5-TWIN	3030488	50
D-ST 2,5-TWIN-0,8 OG	3030512	50
DS-ST 2,5	3036602	10

Switching lock, plug-in ²⁾		white
Partition plate, 2 mm width		gray
Test adapter, 4-mm test socket hole		gray
Test plug metal part, 2.3 mm Ø		
Insulating sleeve, for MPS metal part		red
Modular test plug, for the individual assembly of test plug strips		red

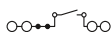
FBS 2-5	24 A	3030161	50
FBS 3-5	24 A	3030174	50
FBS 4-5	24 A	3030187	50
FBS 5-5	24 A	3030190	50
FBS 10-5	24 A	3030213	10
FBS 20-5	24 A	3030226	10
S-MT		3247954	50
ATP-ST-TWIN		3030789	50
PAI-4-N GY		3032871	10
MPS-MT		0201744	10
MPS-IH RD		0201676	10
PS-5		3030983	10
SZF 1-0,6X3,5		1204517	10

Screwdriver	
Center groove labeling	
Center and lateral groove labeling	

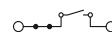
UC-TM 5, UCT-TM 5 or ZB 5 (see Catalog 5)
UC-TMF 5, UCT-TMF 5 or ZBF 5 (see Catalog 5)



2.5 (4) mm², 20 A, knife disconnect terminal block, 3 connections



2.5 (4) mm², 20 A, knife disconnect terminal block, 4 connections



4 (6) mm², 20 A, knife disconnect terminal block



Technical data			
Width	Length	Height NS 35/7,5	
5.2	72	36.5	
I_{max} [A]	U_{max} [V]	max. Ø [mm ²]	AWG
20 ¹⁾	400	0.08 - 4	28 - 12
IEC 60947-7-1			
IEC	UL/CUL	CSA	IEC/EN 60079-7
400	600	300	-
20 ¹⁾ / 2.5	16 / -	16 / -	-
2.5	-	-	-
28 - 12	28-12	28-12	-
solid	stranded	Ferrule	
Without / with plastic sleeve			
0.08 - 4	0.08 - 2.5	0.14 - 2.5	0.14 - 2.5
0.5			
10	PA	V0	

Technical data			
Width	Length	Height NS 35/7,5	
5.2	84	36.5	
I_{max} [A]	U_{max} [V]	max. Ø [mm ²]	AWG
20 ¹⁾	400	0.08 - 4	28 - 12
IEC 60947-7-1			
IEC	UL/CUL	CSA	IEC/EN 60079-7
400	600	300	-
20 ¹⁾ / 2.5	16 / -	16 / -	-
2.5	-	-	-
28 - 12	28-12	28-12	-
solid	stranded	Ferrule	
Without / with plastic sleeve			
0.08 - 4	0.08 - 2.5	0.14 - 2.5	0.14 - 2.5
0.5			
10	PA	V0	

Technical data			
Width	Length	Height NS 35/7,5	
6.2	61.5	36.5	
I_{max} [A]	U_{max} [V]	max. Ø [mm ²]	AWG
20	400	0.08 - 6	28 - 10
IEC 60947-7-1			
IEC	UL/CUL	CSA	IEC/EN 60079-7
400	300	300	-
20 / 2.5	10 / -	16 / -	-
4	-	-	-
28 - 10	28-10	28-10	-
solid	stranded	Ferrule	
Without / with plastic sleeve			
0.08 - 6	0.08 - 4	0.14 - 4	0.14 - 4
0.5 - 1			
10	PA	V0	

Ordering data			
Type	I_{max}	Order No.	Pcs. / Pkt.
ST 2,5-TWIN-MT		3036356	50
ST 2,5-TWIN-MT BU		3037821	50

Ordering data			
Type	I_{max}	Order No.	Pcs. / Pkt.
ST 2,5-QUATTRO-MT		3036576	50
ST 2,5-QUATTRO-MT BU		3037834	50

Ordering data			
Type	I_{max}	Order No.	Pcs. / Pkt.
ST 4-MT		3038875	50

Accessories			
D-ST 2,5-QUATTRO		3030514	50
D-ST 2,5-QUATTRO-0,8 OG		3030513	50
DS-ST 2,5		3036602	10
FBS 2-5	24 A	3030161	50
FBS 3-5	24 A	3030174	50
FBS 4-5	24 A	3030187	50
FBS 5-5	24 A	3030190	50
FBS 10-5	24 A	3030213	10
FBS 20-5	24 A	3030226	10
S-MT		3247954	50
ATP-ST QUATTRO		3030815	50
PAI-4-N GY		3032871	10
MPS-MT		0201744	10
MPS-IH RD		0201676	10
PS-5		3030983	10
SZF 1-0,6X3,5		1204517	10

Accessories			
D-ST 2,5-QUATTRO-MT		3038590	50
DS-ST 2,5		3036602	10
FBS 2-5	24 A	3030161	50
FBS 3-5	24 A	3030174	50
FBS 4-5	24 A	3030187	50
FBS 5-5	24 A	3030190	50
FBS 10-5	24 A	3030213	10
FBS 20-5	24 A	3030226	10
S-MT		3247954	50
PAI-4-N GY		3032871	10
MPS-MT		0201744	10
MPS-IH RD		0201676	10
PS-5		3030983	10
SZF 1-0,6X3,5		1204517	10

Accessories			
FBS 2-6	32 A	3030336	50
FBS 3-6	32 A	3030242	50
FBS 4-6	32 A	3030255	50
FBS 5-6	32 A	3030349	50
FBS 10-6	32 A	3030271	10
FBS 20-6	32 A	3030365	10
S-MT		3247954	50
ATP-ST 4		3030721	50
PAI-4-N GY		3032871	10
MPS-MT		0201744	10
MPS-IH RD		0201676	10
PS-6		3030996	10
SZF 1-0,6X3,5		1204517	10

UC-TM 5, UCT-TM 5 or ZB 5
(see Catalog 5)
UC-TMF 5, UCT-TMF 5 or ZBF 5
(see Catalog 5)

UC-TM 5, UCT-TM 5 or ZB 5
(see Catalog 5)
UC-TMF 5, UCT-TMF 5 or ZBF 5
(see Catalog 5)

UC-TMF 6, UCT-TMF 6 or ZBF 6
(see Catalog 5)

ST spring-cage connection terminal blocks

Double-level knife disconnect terminal blocks

The space-saving double-level knife disconnect terminal blocks are available in various versions and offer:

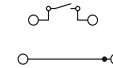
- Disconnect knife for one level
- Disconnect knives for both levels, a height offset indicates assignment of the disconnect knives to a level
- Test connections on both sides of the isolating point for 2.3 mm test plugs
- Function shafts provide scope for potential distribution

ZDMTK 2,5-TWIN

- If an input signal is to be divided and split over two disconnect points, the ZDMTK 2,5-TWIN is used

CLIP PROJECT Planning enables the quick and convenient planning and configuration of fault-free terminal strips.

Notes:
1) The total current of all connected conductors must not exceed the max. load current.
2) Lower level
3) Also see page 480.



2.5 (4) mm², 16 A, double-level knife disconnect terminal block



Dimensions		[mm]
Max. electrical data		
Rated data, lower level		
Rated voltage	[V]	400
Nominal current / cross section	[A] / [mm ²]	24 / 2.5
Rated cross section	[mm ²]	2.5
Cross section range	AWG	24 - 12
Rated data, upper level		
Nominal current / cross section	[A] / [mm ²]	16 / 1.5
Connection capacity		
1 conductor	[mm ²]	0.2 - 4
Two stranded conductors with a TWIN ferrule	[mm ²]	0.2 - 2.5
General data		
Stripping length	[mm]	10
Insulating material		PA
Inflammability class according to UL 94		V0

Technical data			
Width	Length	Height NS 35/7.5	
5.2	104	49	
I _{max} [A]	U _{max} [V]	max. Ø [mm ²]	AWG
26	400	0.2 - 4	24 - 12
IEC 60947-7-1			
IEC	UL/CUL	CSA	IEC/EN 60079-7
400	300	-	-
24 / 2.5	20 / -	- / -	- / -
2.5	-	-	-
24 - 12	26-12	-	-
IEC	UL/CUL	CSA	IEC/EN 60079-7
16 / 1.5	15 / -	- / -	- / -
solid		stranded Ferrule	
0.2 - 4		Without / with plastic sleeve	
		0.14 - 2.5 0.14 - 2.5	
		0.5	
10			
PA			
V0			

Description	No. of pos.	Color
Knife disconnect terminal block, for mounting on NS 35...		gray
		blue

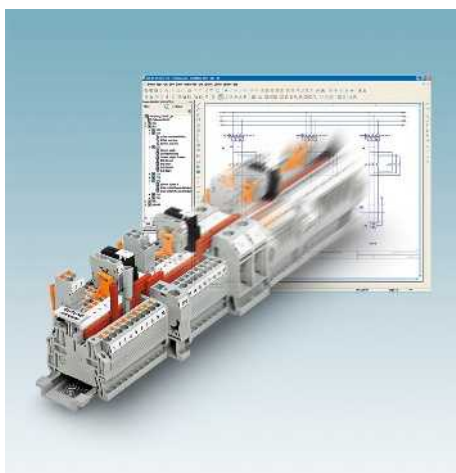
Ordering data			
Type	I _{max}	Order No.	Pcs. / Pkt.
ZFKK 2,5-MT		3025011	50
ZFKK 2,5-MT BU		3022221	50

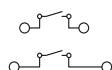
Cover, width 2 mm		gray
Cover, width 2.2 mm		gray
Insulation stop sleeve, cross section range:		
0.08 - 0.2 mm ²		white
0.25 - 0.5 mm ²		gray
0.75 - 1 mm ²		black
Fixed bridge, for cross connections in the terminal center, screw heads with insulation collar		
	2	silver
	3	silver
	10	silver
Plug-in bridge		
	2	red
	10	red
	20	red
Switching lock, plug-in ⁹⁾		
		white
Separating disk, for separation of neighboring bridges, can be fitted later, no loss of pitch		
Partition plate, 2 mm width		gray
Test plug metal part, 2.3 mm Ø		
Insulating sleeve, for MPS metal part		red
Screwdriver		

Accessories			
Type	I _{max}	Order No.	Pcs. / Pkt.
D-ZFKK 2,5-MT		3024151	50
ISH 2,5/0,2		3002843	50
ISH 2,5/0,5		3002856	50
ISH 2,5/1,0		3002869	50
FBRI 2-5 N	20 A	3000227	10
FBRI 3-5 N	20 A	3000201	10
FBRI 10-5 N	20 A	2770642	10
TS-U3K 2,5		2770066	50
ATP-ZFKKB 4		3005772	50
MPS-MT		0201744	10
MPS-IH RD		0201676	10
SZF 1-0,6X3,5		1204517	10

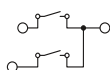
Center groove labeling
Center and lateral groove labeling

UC-TMF 5, UCT-TMF 5 or ZBF 5 (see Catalog 5)
--

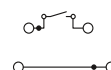




2.5 (4) mm², 16 A, double-level terminal block with one disconnect knife per level



2.5 (4) mm², 16 A, feed-through terminal block, 3 connections, with two disconnect knives



4 (6) mm², 20 A, double-level knife disconnect terminal block



Technical data				
Width	Length	Height NS 35/7,5		
6.2	107	55		
I_{max} [A]	U_{max} [V]	max. Ø [mm ²]	AWG	
16	400	0.2 - 4	24 - 12	
IEC 60947-7-1				
IEC	UL/CUL	CSA	IEC/EN 60079-7	
400	300	-	-	
16 / 1.5	10 / -	- / -	- / -	
2.5	-	-	-	
24 - 12	26-12	-	-	
IEC	UL/CUL	CSA	IEC/EN 60079-7	
16 / 1.5	10 / -	- / -	- / -	
solid	stranded	Ferrule Without / with plastic sleeve		
0.2 - 4	0.2 - 2.5	0.14 - 2.5	0.14 - 2.5 0.5	
10	PA	V0		

Technical data				
Width	Length	Height NS 35/7,5		
6.2	88.5	55		
I_{max} [A]	U_{max} [V]	max. Ø [mm ²]	AWG	
16 ¹⁾	400	0.2 - 4	24 - 12	
IEC 60947-7-1				
IEC	UL/CUL	CSA	IEC/EN 60079-7	
400	300	-	-	
16 / 1.5	10 / -	- / -	- / -	
2.5	-	-	-	
24 - 12	26-12	-	-	
IEC	UL/CUL	CSA	IEC/EN 60079-7	
16 / 1.5	10 / -	- / -	- / -	
solid	stranded	Ferrule Without / with plastic sleeve		
0.2 - 4	0.2 - 2.5	0.14 - 2.5	0.14 - 2.5 0.5	
10	PA	V0		

Technical data				
Width	Length	Height NS 35/7,5		
6.2	92.4	55		
I_{max} [A]	U_{max} [V]	max. Ø [mm ²]	AWG	
34 ²⁾	500	0.08 - 6	28 - 10	
IEC 60947-7-1				
IEC	UL/CUL	CSA	IEC/EN 60079-7	
500	600	-	-	
20 / 2.5	16 / -	- / -	- / -	
4	-	-	-	
28 - 10	28-10	-	-	
IEC	UL/CUL	CSA	IEC/EN 60079-7	
- / -	16 / -	- / -	- / -	
solid	stranded	Ferrule Without / with plastic sleeve		
0.08 - 6	0.08 - 4	0.14 - 4	0.14 - 4 0.5 - 1	
10	PA	V0		

Ordering data		
Type	Order No.	Pcs. / Pkt.
ZDMTK 2,5	3005798	50
ZDMTK 2,5 BU	3006784	50

Ordering data		
Type	Order No.	Pcs. / Pkt.
ZDMTK 2,5-TWIN	3005808	50

Ordering data			
Type	I_{max}	Order No.	Pcs. / Pkt.
STTBS 4-MT		3035470	50
STTBS 4-MT BU		3035522	50

Accessories		
ISH 2,5/0,2	3002843	50
ISH 2,5/0,5	3002856	50
ISH 2,5/1,0	3002869	50
ATP-ZFKKB 4	3005772	50
MPS-MT	0201744	10
MPS-IH RD	0201676	10
SZF 1-0,6X3,5	1204517	10

Accessories		
ISH 2,5/0,2	3002843	50
ISH 2,5/0,5	3002856	50
ISH 2,5/1,0	3002869	50
ATP-ZFKKB 4	3005772	50
MPS-MT	0201744	10
MPS-IH RD	0201676	10
SZF 1-0,6X3,5	1204517	10

Accessories			
D-STTBS 4-MT	3035548	50	
ISH 4/0,5	3002885	50	
ISH 4/1,0	3002898	50	
FBS 2-6	28 A	3030336	50
FBS 10-6	28 A	3030271	10
FBS 20-6	28 A	3030365	10
S-MT		3247954	50
ATP-STTB 4		3030747	50
MPS-MT		0201744	10
MPS-IH RD		0201676	10
SZF 1-0,6X3,5		1204517	10

UC-TMF 6, UCT-TMF 6 or ZBF 6
(see Catalog 5)

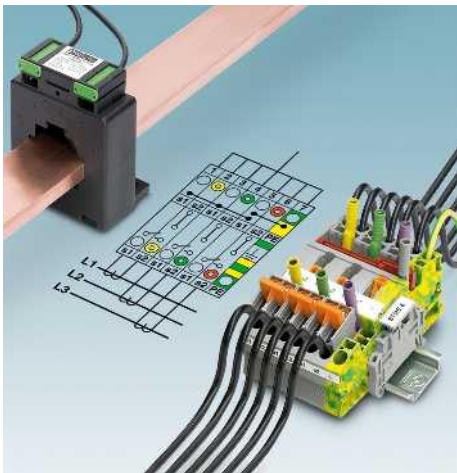
UC-TMF 6, UCT-TMF 6 or ZBF 6
(see Catalog 5)

UC-TM 6, UCT-TM 6 or ZB 6
(see Catalog 5)
UC-TMF 6, UCT-TMF 6 or ZBF 6
(see Catalog 5)

Modular terminal blocks - CLIPLINE complete

ST spring-cage connection terminal blocks

STME 6 test disconnect terminal blocks

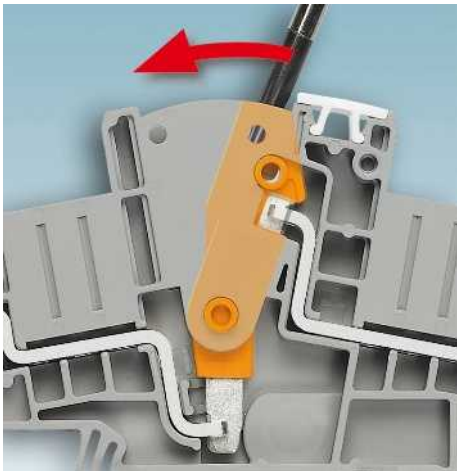


The latest generation of test disconnect terminal blocks with spring-cage connection are characterized by:

- Compact design
- Easy operation
- Six function shafts
- Clear arrangement
- Flexible and comprehensive accessories
- Feed-through terminal block of the same shape available



- Current transformer measuring circuit can be created using just two STME 6
- Less space required compared to creating circuits with slide-type terminal blocks
- ① FBS... plug-in bridge for cross connection
- ② 4 mm Ø PAI-4-FIX... test plug adapter
- ③ S-ME 6 switching lock
- ④ SB-ME... switching jumper
- ⑤ C-ME 6/2 connection bridge



- Reliable contacting and latching of the longitudinal isolating switch in the relevant switching state
- Clear selection thanks to printed switching symbols
- Unintentional switching prevented by means of optional switching lock
- Two or three switches can be actuated at the same time using a connection bridge



- SB-ME ... switching jumpers can be positioned and latched on both sides of the disconnect point in the bridge shaft
- Reliably snapped into the end positions
- Contact made via screw terminal points

Notes:

For current carrying capacity of DIN rails, see page 716.

For corresponding terminal strip covers, see Catalog 5.

Dimensions

[mm]

Max. electrical data

Rated data

Rated voltage	[V]
Nominal current / cross section	[A] / [mm ²]
Rated cross section	[mm ²]
Cross section range	AWG

Connection capacity

1 conductor	[mm ²]
Two stranded conductors with a TWIN ferrule	[mm ²]

General data

Stripping length	[mm]
Insulating material	
Inflammability class according to UL 94	

Description	No. of pos.	Color
Test disconnect terminal block , for mounting on NS 35		gray
Feed-through terminal block , for mounting on NS 35...		gray
Ground terminal block , for mounting on NS 35...		green-yellow

Cover, width 2.2 mm gray

Switching jumper , plug-in	2	gray/orange
	3	gray/orange
	4	gray/orange

Plug-in bridge	2	red
	3	red
	4	red
	5	red
	10	red

Pre-assembled bridge , labeled	3-pos., positions 1, 3	2	red
	4-pos., positions 1, 4	2	red
	5-pos., positions 1, 3, 5	3	red
	10-pos. positions 1, 4, 7, 10	4	red

Switching lock, plug-in white

Connection bridge, for connecting two test disconnect terminal blocks 3-pos. orange

Test adapter, for 4-mm-Ø safety test plug, snapped into bridge shaft orange

yellow
green
violet

Partition plate, with storage option for switching jumpers gray

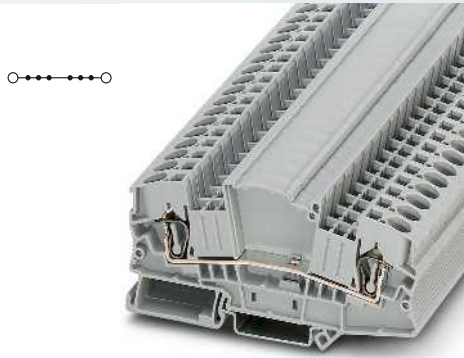
Screwdriver

Center groove labeling

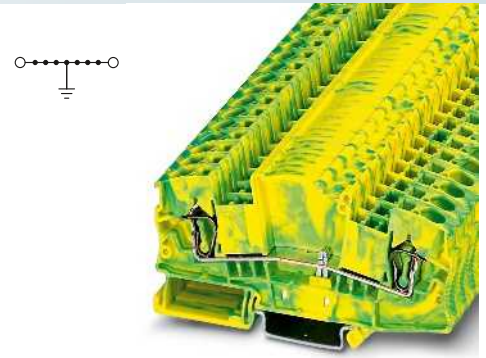
Center and lateral groove labeling



6 (10) mm², 30 A, test disconnect terminal block



6 (10) mm², 41 A, feed-through terminal block, same shape



6 (10) mm², ground terminal block



Technical data			
Width	Length	Height NS 35/7,5	
8.2	100.8	49.6	
I _{max} [A]	U _{max} [V]	max. Ø [mm ²]	AWG
30	500	0.2 - 10	24 - 8
IEC 60947-7-1			
IEC	UL/CUL	CSA	IEC/EN 60079-7
500	600	600	-
30 / 6	30 / -	30	-
6	-	-	-
24 - 8	24-8	24-8	-
solid	stranded	Ferrule	
Without / with plastic sleeve			
0.2 - 10	0.2 - 6	0.25 - 6	0.25 - 6 0.5 - 1.5
12	PA	V0	

Technical data			
Width	Length	Height NS 35/7,5	
8.2	100.8	49.6	
I _{max} [A]	U _{max} [V]	max. Ø [mm ²]	AWG
41	500	0.2 - 10	24 - 8
IEC 60947-7-1			
IEC	UL/CUL	CSA	IEC/EN 60079-7
500	600	600	-
41 / 6	30 / -	30	-
6	-	-	-
24 - 8	24-8	24-8	-
solid	stranded	Ferrule	
Without / with plastic sleeve			
0.2 - 10	0.2 - 6	0.25 - 6	0.25 - 6 0.5 - 1.5
12	PA	V0	

Technical data			
Width	Length	Height NS 35/7,5	
8.2	100.8	49.6	
max. Ø [mm ²]			
AWG			
0.2 - 10			
24 - 8			
IEC 60947-7-2			
IEC	UL/CUL	CSA	IEC/EN 60079-7
-	-	-	-
-	- / -	-	-
6	-	-	-
24 - 8	24-8	24-8	-
solid	stranded	Ferrule	
Without / with plastic sleeve			
0.2 - 10	0.2 - 6	0.25 - 6	0.25 - 6 0.5 - 1.5
12	PA	V0	

Ordering data			
Type	I _{max}	Order No.	Pcs. / Pkt.
STME 6		3035700	50

Ordering data			
Type	I _{max}	Order No.	Pcs. / Pkt.
STMED 6		3035713	50

Ordering data			
Type	Order No.	Pcs. / Pkt.	
STMED 6-PE	3035726	50	

Accessories			
D-DTME 6		3034426	10
SB-ME 2-8	30 A	3034468	10
SB-ME 3-8	30 A	3032800	10
SB-ME 4-8	30 A	3034484	10
FBS 2-8	41 A	3030284	10
FBS 3-8	41 A	3030297	10
FBS 4-8	41 A	3030307	10
FBS 5-8	41 A	3030310	10
FBS 10-8	41 A	3030323	10
FBS 1/3-8	41 A	3032363	10
FBS 1/4-8	41 A	3032376	10
FBS 1/3/5-8	41 A	3032389	10
FBS 1/4/7/10-8	41 A	3032402	10
S-ME 6		3034439	10
C-ME 6/2		3034442	10
C-ME 6/3		3034390	50
PAI-4-FIX OG		3034455	10
PAI-4-FIX YE		3032745	10
PAI-4-FIX GN		3032758	10
PAI-4-FIX VT		3032761	10
CARRIER 35-8		3034387	10
SZF 2-0,8X4,0		1204520	10

Accessories			
D-DTME 6		3034426	10
SB-ME 2-8	30 A	3034468	10
SB-ME 3-8	30 A	3032800	10
SB-ME 4-8	30 A	3034484	10
FBS 2-8	41 A	3030284	10
FBS 3-8	41 A	3030297	10
FBS 4-8	41 A	3030307	10
FBS 5-8	41 A	3030310	10
FBS 10-8	41 A	3030323	10
FBS 1/3-8	41 A	3032363	10
FBS 1/4-8	41 A	3032376	10
FBS 1/3/5-8	41 A	3032389	10
FBS 1/4/7/10-8	41 A	3032402	10
PAI-4-FIX OG		3034455	10
PAI-4-FIX YE		3032745	10
PAI-4-FIX GN		3032758	10
PAI-4-FIX VT		3032761	10
CARRIER 35-8		3034387	10
SZF 2-0,8X4,0		1204520	10

Accessories			
D-DTME 6		3034426	10
FBS 2-8		3030284	10
FBS 3-8		3030297	10
FBS 4-8		3030307	10
FBS 5-8		3030310	10
FBS 10-8		3030323	10
FBS 1/3-8		3032363	10
FBS 1/4-8		3032376	10
FBS 1/3/5-8		3032389	10
FBS 1/4/7/10-8		3032402	10
PAI-4-FIX OG		3034455	10
PAI-4-FIX YE		3032745	10
PAI-4-FIX GN		3032758	10
PAI-4-FIX VT		3032761	10
CARRIER 35-8		3034387	10
SZF 2-0,8X4,0		1204520	10

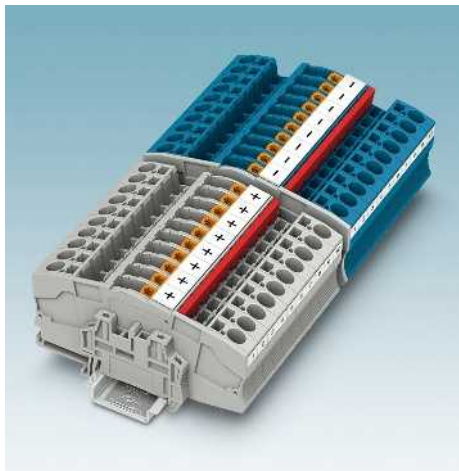
UC-TM 8, UCT-TM 8 or ZB 8
(see Catalog 5)
UC-TMF 8, UCT-TMF 8 or ZBF 8
(see Catalog 5)

UC-TM 8, UCT-TM 8 or ZB 8
(see Catalog 5)
UC-TMF 8, UCT-TMF 8 or ZBF 8
(see Catalog 5)

UC-TM 8, UCT-TM 8 or ZB 8
(see Catalog 5)
UC-TMF 8, UCT-TMF 8 or ZBF 8
(see Catalog 5)

ST spring-cage connection terminal blocks

STME 6 HV disconnect and diode terminal blocks for photovoltaics, 1000 V

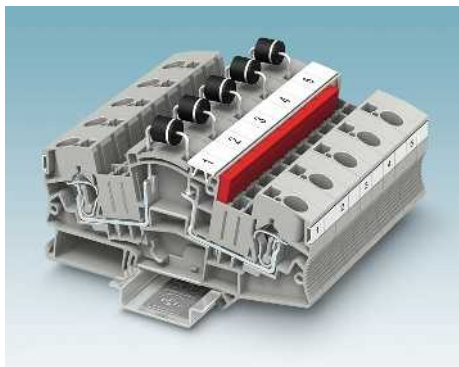


The new disconnect and diode terminal blocks were designed especially for applications in solar technology and are characterized by:

- A dielectric strength of up to 1000 V DC
- Scope for connecting standard solar cables of up to 10 mm² and with a 7.5 mm outside diameter
- A space-saving design of the same shape for compact generator switching boxes
- Continuous function shafts allow the individual PV lines to be easily grouped using plug-in bridges
- The DP-STMED 6 spacer plate provides sufficient space between two neighboring diode terminal blocks, see figure below

Fuse terminal blocks for 1000 V DC

- Fuse terminal blocks and inserts of up to 1000 V DC are available for fusing PV lines, see page 537



Notes:
If several diode terminal blocks need adding to the DIN rail, a spacer plate must be placed between them.
Covers should ensure that the parts are not touched.
For corresponding AP-ME and AH-ME terminal strip covers, see Catalog 5.
For further test adapters, see page 479.
1) If the diode is loaded with 5 A, the surface temperature reaches 140°C.
2) 1000 V reverse voltage.



6 (10) mm², 30 A, 1000 V, disconnect terminal block



Dimensions		[mm]
Max. electrical data		
Rated data		
Rated voltage	[V]	1000
Nominal current / cross section	[A] / [mm ²]	30 / 6
Rated cross section	[mm ²]	6
Cross section range	AWG	24 - 8
Connection capacity		
1 conductor	[mm ²]	0.2 - 10
Two stranded conductors with a TWIN ferrule	[mm ²]	0.2 - 6
General data		
Stripping length	[mm]	12
Insulating material		PA
Inflammability class according to UL 94		V0

Technical data				
Width	Length	Height NS 35/7.5		
8.2	100.8	49.6		
I _{max} [A]	U _{max} [V]	max. Ø [mm ²]	AWG	
30	1000	0.2 - 10	24 - 8	
IEC 60947-7-1				
IEC	UL/CUL	CSA	IEC/EN 60079-7	
600	600	30	-	
30 / 6	30 / -	30	-	
6	-	-	-	
24 - 8	24-8	24-8	-	
Connection capacity				
solid	stranded	Ferrule		
		Without / with plastic sleeve		
0.2 - 10	0.2 - 6	0.25 - 6	0.25 - 6	
		0.5 - 1.5		

Description	No. of pos.	Color
Terminal block , for mounting on NS 35...		gray blue
Spacer plate		gray
Terminal block , with integrated diode, conducting from left to right		gray
Conducting from right to left		gray
Terminal block , for soldering in a component		gray

Ordering data			
Type	I _{max}	Order No.	Pcs. / Pkt.
STME 6 HV		3035693	50
STME 6 HV BU		3035694	50

Cover , width 2.2 mm		gray
Switching jumper , plug-in		
	2	gray/orange
	3	gray/orange
	4	gray/orange
Plug-in bridge		
	2	red
	3	red
	4	red
	5	red
	10	red
Switching lock , plug-in		white
Connection bridge , for connecting two test disconnect terminal blocks		orange
3-pos.		orange
Test adapter , for 4-mm-Ø safety test plug, snapped into bridge shaft		orange
		yellow
		green
		violet
Partition plate , with storage option for switching jumpers		gray
Screwdriver		

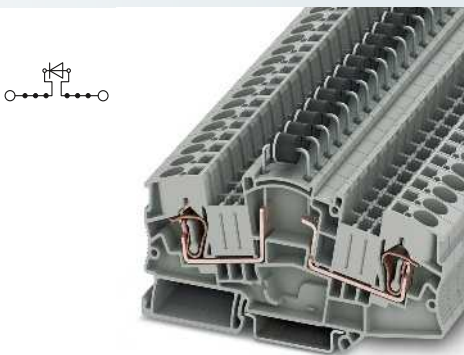
Accessories			
D-DTME 6		3034426	10
SB-ME 2-8	30 A	3034468	10
SB-ME 3-8	30 A	3032800	10
SB-ME 4-8	30 A	3034484	10
FBS 2-8	41 A	3030284	10
FBS 3-8	41 A	3030297	10
FBS 4-8	41 A	3030307	10
FBS 5-8	41 A	3030310	10
FBS 10-8	41 A	3030323	10
S-ME 6		3034439	10
C-ME 6/2		3034442	10
C-ME 6/3		3034390	50
PAI-4-FIX OG		3034455	10
PAI-4-FIX YE		3032745	10
PAI-4-FIX GN		3032758	10
PAI-4-FIX VT		3032761	10
CARRIER 35-8		3034387	10
SZF 2-0,8X4,0		1204520	10

Center groove labeling	UC-TM 8, UCT-TM 8 or ZB 8 (see Catalog 5)
Center and lateral groove labeling	UC-TMF 8, UCT-TMF 8 or ZBF 8 (see Catalog 5)

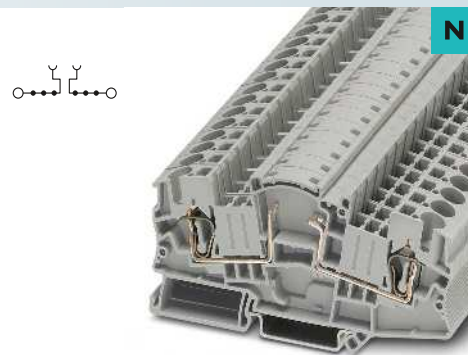
Center groove labeling	UC-TM 8, UCT-TM 8 or ZB 8 (see Catalog 5)
Center and lateral groove labeling	UC-TMF 8, UCT-TMF 8 or ZBF 8 (see Catalog 5)



Spacer plate, same shape



6 (10) mm², 5 A, 1000 V, diode terminal block, same shape



Terminal block, for soldering a component

N



Technical data			
Width	Length	Height NS 35/7,5	
8.2	100.8	49.6	
		max. Ø [mm ²]	AWG
		-	-
IEC	UL/CUL	CSA	IEC/EN 60079-7
-	-	-	-
-	-/-	-	-
-	-	-	-
-	-	-	-
solid	stranded	Ferrule Without / with plastic sleeve	
-	-	-	-
-	-	-	-
PA	V0	-	-

Technical data			
Width	Length	Height NS 35/7,5	
8.2	100.8	60	
I _{max.} [A]	U _{max.} [V]	max. Ø [mm ²]	AWG
5 ¹⁾	1000 ²⁾	0.2 - 10	24 - 8
IEC	UL/CUL	CSA	IEC/EN 60079-7
1000 ²⁾	600	-	-
5 ¹⁾ / 6	5 / -	-	-
6	-	-	-
24 - 8	24-8	-	-
solid	stranded	Ferrule Without / with plastic sleeve	
0.2 - 10	0.2 - 6	0.25 - 6	0.25 - 6 0.5 - 1.5
12	PA	V0	-

Technical data			
Width	Length	Height NS 35/7,5	
8.2	100.8	60	
		max. Ø [mm ²]	AWG
		0.2 - 10	24 - 8
IEC	UL/CUL	CSA	IEC/EN 60079-7
-	-	-	-
- / 6	- / -	-	-
6	-	-	-
24 - 8	-	-	-
solid	stranded	Ferrule Without / with plastic sleeve	
0.2 - 10	0.2 - 6	0.25 - 6	0.25 - 6 0.5 - 1.5
12	PA	V0	-

Ordering data		
Type	Order No.	Pcs. / Pkt.
DP-STMED 6	3035690	50

Ordering data			
Type	I _{max.}	Order No.	Pcs. / Pkt.
STME 6-DIO/L-R HV		3035691	50
STME 6-DIO/R-L HV		3035692	50

Ordering data		
Type	Order No.	Pcs. / Pkt.
STME 6-BE	3035688	50

Accessories		
SZF 2-0,8X4,0	1204520	10

Accessories			
D-DTME 6	3034426	10	
FBS 2-8	41 A	3030284	10
FBS 3-8	41 A	3030297	10
FBS 4-8	41 A	3030307	10
FBS 5-8	41 A	3030310	10
FBS 10-8	41 A	3030323	10
PAI-4-FIX OG		3034455	10
PAI-4-FIX YE		3032745	10
PAI-4-FIX GN		3032758	10
PAI-4-FIX VT		3032761	10
CARRIER 35-8		3034387	10
SZF 2-0,8X4,0	1204520	10	

Accessories		
D-DTME 6	3034426	10
FBS 2-8	3030284	10
FBS 3-8	3030297	10
FBS 4-8	3030307	10
FBS 5-8	3030310	10
FBS 10-8	3030323	10
PAI-4-FIX OG	3034455	10
PAI-4-FIX YE	3032745	10
PAI-4-FIX GN	3032758	10
PAI-4-FIX VT	3032761	10
CARRIER 35-8	3034387	10
SZF 2-0,8X4,0	1204520	10

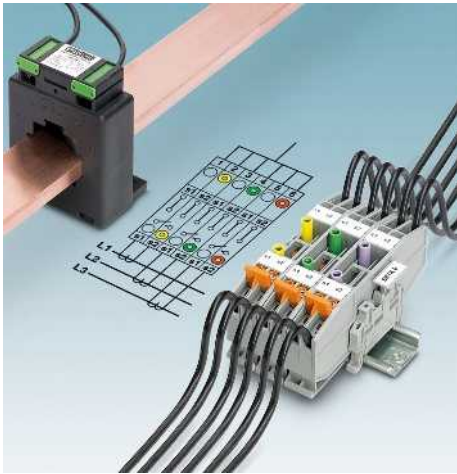
UC-TM 8, UCT-TM 8 or ZB 8
(see Catalog 5)
UC-TMF 8, UCT-TMF 8 or ZBF 8
(see Catalog 5)

UC-TM 8, UCT-TM 8 or ZB 8
(see Catalog 5)
UC-TMF 8, UCT-TMF 8 or ZBF 8
(see Catalog 5)

UC-TM 8, UCT-TM 8 or ZB 8
(see Catalog 5)
UC-TMF 8, UCT-TMF 8 or ZBF 8
(see Catalog 5)

ST spring-cage connection terminal blocks

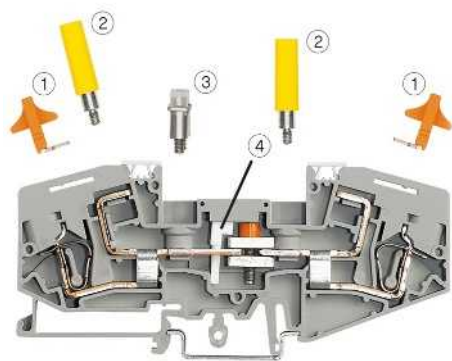
SRTK 6/SGSK 6 test disconnect and slide-type terminal blocks



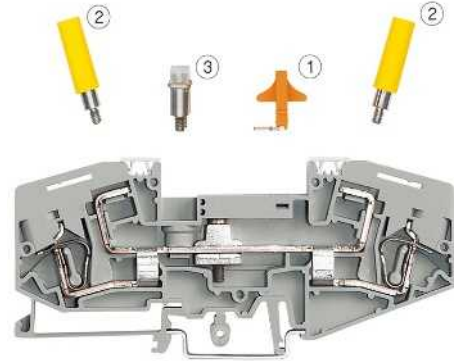
- The SRTK 6 test disconnect terminal block and the SGSK 6 slide-type terminal block were specially designed for use in current transformer secondary circuits
- Can be fitted on both sides with fixed and switchable bridges as well as test sockets with a 4 mm diameter
- Easy and clear operation
- Terminal block and accessories were designed to be touch-proof as per BGV A2



- The extensive range of accessories of the SRTK 6 test disconnect terminal blocks with spring-cage connection can also be used for the URTK 6 test disconnect terminal blocks with screw connection
- For more information and technical data on the screw connection versions, see page 77



- Only two SRTK 6 test disconnect terminal blocks are required for a current transformer measuring circuit
- Less space required compared to creating circuits with slide-type terminal blocks
- ① SB... switch bar
- ② 4 mm Ø PSBJ-URTK 6... test sockets
- ③ FBRI 10-8 N fixed bridge for cross connection
- ④ S-URTK/SP switching lock



- Several measuring devices or protective relays can be connected individually using the SGSK 6 slide-type terminal block
- The slide can be connected with the switch bar depending on the switching tasks
- ① SB... switch bar
- ② 4 mm Ø PSBJ-URTK 6... test sockets
- ③ FBRI 10-8 N fixed bridge for cross connection

Dimensions		[mm]
Max. electrical data		
Rated data		
Rated voltage		[V]
Nominal current / cross section		[A] / [mm ²]
Rated cross section		[mm ²]
Cross section range		AWG
Connection capacity		
1 conductor		[mm ²]
Two stranded conductors with a TWIN ferrule		[mm ²]
General data		
Stripping length		[mm]
Disconnect slide: thread / torque		- / [Nm]
Torque: test socket, fixed bridge, switch bar [Nm]		
Insulating material		
Inflammability class according to UL 94		

Description	No. of pos.	Color
Test disconnect terminal block , for mounting on NS 35 and NS 32		gray
Slide-type terminal block , for mounting on NS 35 and NS 32		gray
Feed-through terminal block , for mounting on NS 35 and NS 32		gray

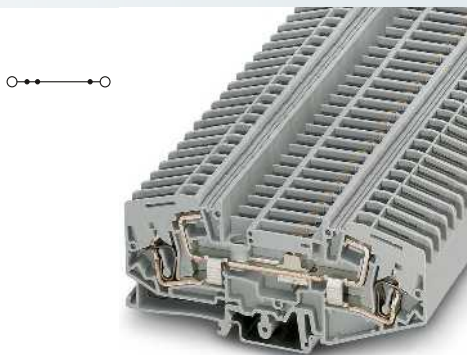
Cover , width 2 mm		gray
Switching jumper , complete		
	2	orange
	3	orange
	4	orange
	10	orange
for bridging between non-adjacent terminals	10	orange
Fixed bridge , insulated		
	10	silver

Switching lock , excludes the possibility of an unintentional operation of the disconnect slide		
Test socket , insulated		white
		transparent
		blue
		yellow
		green
		violet
		black
		gray
		brown
		red
Short-circuit plug , for short circuiting neighboring terminal blocks, fully insulated, 2-pos.		black
4-pos.		black
Screwdriver		

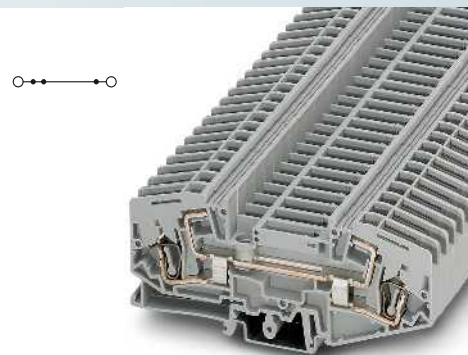
Center groove labeling



6 (10) mm², 45 A, test disconnect terminal block



6 (10) mm², 45 A, slide-type terminal block



6 (10) mm², 45 A, feed-through terminal block, same shape



Technical data			
Width	Length	Height NS 35/7,5	
8.2	113	49	
I_{max} [A]	U_{max} [V]	max. \emptyset [mm ²]	AWG
45	400	0.2 - 10	24 - 8
IEC 60947-7-1			
IEC	UL/CUL	CSA	IEC/EN 60079-7
400	300	-	-
41 / 6	40 / -	-	-
6	-	-	-
24 - 8	18-8	-	-
solid	stranded	Ferrule	
		Without / with plastic sleeve	
0.2 - 10	0.2 - 6	0.25 - 6	0.25 - 6 0.5 - 1.5
12			
M3 / 0.6 - 0.8			
0.6 - 0.8			
PA			
V0			

Technical data			
Width	Length	Height NS 35/7,5	
8.2	113	49	
I_{max} [A]	U_{max} [V]	max. \emptyset [mm ²]	AWG
45	400	0.2 - 10	24 - 8
IEC 60947-7-1			
IEC	UL/CUL	CSA	IEC/EN 60079-7
400	300	-	-
41 / 6	40 / -	-	-
6	-	-	-
24 - 8	18-8	-	-
solid	stranded	Ferrule	
		Without / with plastic sleeve	
0.2 - 10	0.2 - 6	0.25 - 6	0.25 - 6 0.5 - 1.5
12			
M3 / 0.6 - 0.8			
0.6 - 0.8			
PA			
V0			

Technical data			
Width	Length	Height NS 35/7,5	
8.2	113	49	
I_{max} [A]	U_{max} [V]	max. \emptyset [mm ²]	AWG
45	400	0.2 - 10	24 - 8
IEC 60947-7-1			
IEC	UL/CUL	CSA	IEC/EN 60079-7
400	300	-	-
41 / 6	40 / -	-	-
6	-	-	-
24 - 8	18-8	-	-
solid	stranded	Ferrule	
		Without / with plastic sleeve	
0.2 - 10	0.2 - 6	0.25 - 6	0.25 - 6 0.5 - 1.5
12			
- / -			
0.6 - 0.8			
PA			
V0			

Ordering data			
Type	I_{max}	Order No.	Pcs. / Pkt.
SRTK 6		3029952	50

Ordering data			
Type	I_{max}	Order No.	Pcs. / Pkt.
SGSK 6		3029965	50

Ordering data			
Type	I_{max}	Order No.	Pcs. / Pkt.
SRDK 6		3029973	50

Accessories			
D-SRTK 6		3029981	10
SB 2-8-T	41 A	3026366	10
SB 3-8-T	41 A	3026492	10
SB 4-8-T	41 A	3026379	10
SB 10-8-T	41 A	3026382	10
SB 10-8-T SO	41 A	3026395	10
FBRI 10-8 N	41 A	2772080	10
S-URTK/SP		0311155	50
PSBJ-URTK 6 FARBLOS		3026450	10
PSBJ-URTK 6 BU		3026434	10
PSBJ-URTK 6 YE		3026405	10
PSBJ-URTK 6 GN		3026418	10
PSBJ-URTK 6 VT		3026421	10
PSBJ-URTK 6 BK		3026447	10
PSBJ-URTK 6 GY		3026612	10
PSBJ-URTK 6 BN		3026971	10
PSBJ-URTK 6 RD		3026719	10
KSSI 2-8		3000722	10
KSSI 4-8		3000735	10
SZF 2-0,8X4,0		1204520	10

Accessories			
D-SRTK 6		3029981	10
SB 2-8-T	41 A	3026366	10
SB 3-8-T	41 A	3026492	10
SB 4-8-T	41 A	3026379	10
SB 10-8-T	41 A	3026382	10
SB 10-8-T SO	41 A	3026395	10
FBRI 10-8 N	41 A	2772080	10
PSBJ-URTK 6 FARBLOS		3026450	10
PSBJ-URTK 6 BU		3026434	10
PSBJ-URTK 6 YE		3026405	10
PSBJ-URTK 6 GN		3026418	10
PSBJ-URTK 6 VT		3026421	10
PSBJ-URTK 6 BK		3026447	10
PSBJ-URTK 6 GY		3026612	10
PSBJ-URTK 6 BN		3026971	10
PSBJ-URTK 6 RD		3026719	10
KSSI 2-8		3000722	10
KSSI 4-8		3000735	10
SZF 2-0,8X4,0		1204520	10

Accessories			
D-SRTK 6		3029981	10
SB 2-8-T	41 A	3026366	10
SB 3-8-T	41 A	3026492	10
SB 4-8-T	41 A	3026379	10
SB 10-8-T	41 A	3026382	10
SB 10-8-T SO	41 A	3026395	10
FBRI 10-8 N	41 A	2772080	10
PSBJ-URTK 6 FARBLOS		3026450	10
PSBJ-URTK 6 BU		3026434	10
PSBJ-URTK 6 YE		3026405	10
PSBJ-URTK 6 GN		3026418	10
PSBJ-URTK 6 VT		3026421	10
PSBJ-URTK 6 BK		3026447	10
PSBJ-URTK 6 GY		3026612	10
PSBJ-URTK 6 BN		3026971	10
PSBJ-URTK 6 RD		3026719	10
KSSI 2-8		3000722	10
KSSI 4-8		3000735	10
SZF 2-0,8X4,0		1204520	10

UC-TM 8, UCT-TM 8 or ZB 8 (see Catalog 5)

UC-TM 8, UCT-TM 8 or ZB 8 (see Catalog 5)

UC-TM 8, UCT-TM 8 or ZB 8 (see Catalog 5)

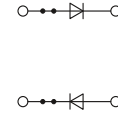
ST spring-cage connection terminal blocks

ST 2,5...DIO... diode terminal blocks



- Diode terminal blocks handle a large number of switching tasks
- Design width of 5.2 mm or 6.2 mm
- Versions with diode conducting direction from left to right or vice versa
- Three and four-conductor terminal blocks can be used for multi-conductor connections
- An increased maximum continuous current of 1.5 A through the 1N 5408 diode is provided by the ST 4-QUATTRO-DIO

Notes:
1) The max. current is determined by the diode. Integrated: diode 1N 4007, reverse voltage: 1300 V, maximum continuous current: 0.5 A.
2) The max. current is determined by the diode. Integrated: diode 1N 5408, reverse voltage: 1000 V, maximum continuous current 1.5 A.



2.5 (4) mm², 0.5 A, diode terminal block



Dimensions	
	[mm]
Max. electrical data	
Rated data	
Rated voltage	[V]
Nominal current / cross section	[A] / [mm ²]
Rated cross section	[mm ²]
Cross section range	AWG
Connection capacity	
1 conductor	[mm ²]
Two stranded conductors with a TWIN ferrule	[mm ²]
General data	
Stripping length	[mm]
Insulating material	
Inflammability class according to UL 94	

Technical data				
Width	Length	Height NS 35/7,5		
5.2	48.5	36.5		
I _{max} [A]	U _{max} [V]	max. Ø [mm ²]	AWG	
0.5 ¹⁾	800	0.08 - 4	28 - 12	
IEC	UL/CUL	CSA	IEC/EN 60079-7	
800	600	600	-	
0.5 ¹⁾ / 1	1 / -	1 / -	-	
2.5	-	-	-	
28 - 12	28-12	28-12	-	
solid	stranded	Ferrule		
		Without / with plastic sleeve		
0.08 - 4	0.08 - 2.5	0.14 - 2.5	0.14 - 2.5	
		0.5		
10	PA	V0		

Description	No. of pos.	Color
Terminal block, with integrated diode, conducting from left to right		gray
Terminal block, with integrated diode, conducting from right to left		gray

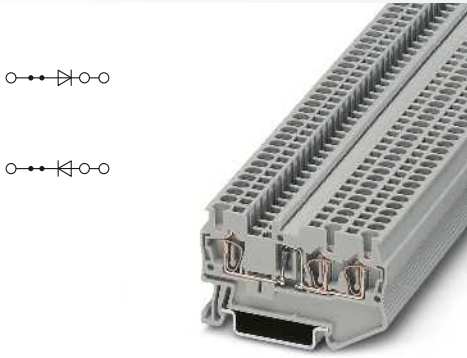
Ordering data			
Type	I _{max}	Order No.	Pcs. / Pkt.
ST 2,5-DIO/L-R		3036262	50
ST 2,5-DIO/R-L		3036518	50

Cover, width 2.2 mm		gray
Cover, 0.8 mm width		orange
End cover segment, for covering multi-conductor terminal blocks when two-conductor terminal blocks are aligned		gray
Insulation stop sleeve, cross section range:		
0.08 - 0.2 mm ²		white
0.25 - 0.5 mm ²		gray
0.75 - 1 mm ²		black
Plug-in bridge		
	2	red
	3	red
	4	red
	5	red
	10	red
	20	red
Partition plate, 2 mm width		gray
Test plug metal part, 2.3 mm Ø		
Insulating sleeve, for MPS metal part		red
Modular test plug, for the individual assembly of test plug strips		red
Warning cover, for actuation shafts, 5-pos.		yellow
Screwdriver		

Accessories			
Type	I _{max}	Order No.	Pcs. / Pkt.
D-ST 2,5		3030417	50
D-ST 2,5-0,8 OG		3030511	50
ISH 2,5/0,2		3002843	50
ISH 2,5/0,5		3002856	50
ISH 2,5/1,0		3002869	50
FBS 2-5	24 A	3030161	50
FBS 3-5	24 A	3030174	50
FBS 4-5	24 A	3030187	50
FBS 5-5	24 A	3030190	50
FBS 10-5	24 A	3030213	10
FBS 20-5	24 A	3030226	10
ATP-ST 4		3030721	50
MPS-MT		0201744	10
MPS-IH RD		0201676	10
PS-5		3030983	10
WST 2,5		3030941	50
SZF 1-0,6X3,5		1204517	10

Center groove labeling
Center and lateral groove labeling

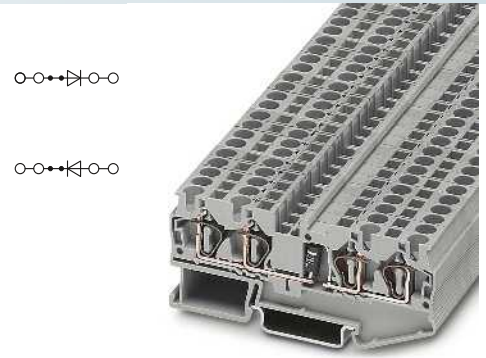
UC-TM 5, UCT-TM 5 or ZB 5 (see Catalog 5)
UC-TMF 5, UCT-TMF 5 or ZBF 5 (see Catalog 5)



2.5 (4) mm², 0.5 A, diode terminal block, 3 connections



2.5 (4) mm², 0.5 A, diode terminal block, 4 connections



4 (6) mm², 1.5 A, diode terminal block with 1N 5408, 4 connections



Technical data			
Width	Length	Height NS 35/7,5	
5.2	60.5	36.5	
I_{max} [A]	U_{max} [V]	max. Ø [mm ²]	AWG
0.5 ¹⁾	800	0.08 - 4	28 - 12
IEC	UL/CUL	CSA	IEC/ EN 60079-7
800	600	600	-
0.5 ¹⁾ / 1	20 / -	-	-
2.5	-	-	-
28 - 12	28-12	28-12	-
solid	stranded	Ferrule	
Without / with plastic sleeve			
0.08 - 4	0.08 - 2.5	0.14 - 2.5	0.14 - 2.5
0.5			
10	PA	V0	

Technical data			
Width	Length	Height NS 35/7,5	
5.2	72	36.5	
I_{max} [A]	U_{max} [V]	max. Ø [mm ²]	AWG
0.5 ¹⁾	800	0.08 - 4	28 - 12
IEC	UL/CUL	CSA	IEC/ EN 60079-7
800	600	600	-
0.5 ¹⁾ / 1	20 / -	-	-
2.5	-	-	-
28 - 12	28-12	28-12	-
solid	stranded	Ferrule	
Without / with plastic sleeve			
0.08 - 4	0.08 - 2.5	0.14 - 2.5	0.14 - 2.5
0.5			
10	PA	V0	

Technical data			
Width	Length	Height NS 35/7,5	
6.2	87	36.5	
I_{max} [A]	U_{max} [V]	max. Ø [mm ²]	AWG
1.5 ²⁾	800	0.08 - 6	28 - 10
IEC	UL/CUL	CSA	IEC/ EN 60079-7
800	-	-	-
1.5 ²⁾ / 1	- / -	-	-
4	-	-	-
28 - 10	-	-	-
solid	stranded	Ferrule	
Without / with plastic sleeve			
0.08 - 6	0.08 - 4	0.14 - 4	0.14 - 4
0.5 - 1			
10	PA	V0	

Ordering data			
Type	I_{max}	Order No.	Pcs. / Pkt.
ST 2,5-TWIN-DIO/L-R		3036246	50
ST 2,5-TWIN-DIO/R-L		3036521	50

Ordering data			
Type	I_{max}	Order No.	Pcs. / Pkt.
ST 2,5-QUATTRO-DIO/L-R		3036233	50
ST 2,5-QUATTRO-DIO/R-L		3036534	50

Ordering data			
Type	I_{max}	Order No.	Pcs. / Pkt.
ST 4-QUATTRO-DIO 1N 5408/L-R		3037782	50
ST 4-QUATTRO-DIO 1N 5408/R-L		3037795	50

Accessories			
D-ST 2,5-TWIN		3030488	50
D-ST 2,5-TWIN-0,8 OG		3030512	50
DS-ST 2,5		3036602	10
ISH 2,5/0,2		3002843	50
ISH 2,5/0,5		3002856	50
ISH 2,5/1,0		3002869	50
FBS 2-5	24 A	3030161	50
FBS 3-5	24 A	3030174	50
FBS 4-5	24 A	3030187	50
FBS 5-5	24 A	3030190	50
FBS 10-5	24 A	3030213	10
FBS 20-5	24 A	3030226	10
ATP-ST-TWIN		3030789	50
MPS-MT		0201744	10
MPS-IH RD		0201676	10
PS-5		3030983	10
WST 2,5		3030941	50
SZF 1-0,6X3,5		1204517	10

Accessories			
D-ST 2,5-QUATTRO		3030514	50
D-ST 2,5-QUATTRO-0,8 OG		3030513	50
DS-ST 2,5		3036602	10
ISH 2,5/0,2		3002843	50
ISH 2,5/0,5		3002856	50
ISH 2,5/1,0		3002869	50
FBS 2-5	24 A	3030161	50
FBS 3-5	24 A	3030174	50
FBS 4-5	24 A	3030187	50
FBS 5-5	24 A	3030190	50
FBS 10-5	24 A	3030213	10
FBS 20-5	24 A	3030226	10
ATP-ST QUATTRO		3030815	50
MPS-MT		0201744	10
MPS-IH RD		0201676	10
PS-5		3030983	10
WST 2,5		3030941	50
SZF 1-0,6X3,5		1204517	10

Accessories			
D-ST 4-QUATTRO		3030527	50
DS-ST 4		3036615	10
ISH 4/0,5		3002885	50
ISH 4/1,0		3002898	50
FBS 2-6	32 A	3030336	50
FBS 3-6	32 A	3030242	50
FBS 4-6	32 A	3030255	50
FBS 5-6	32 A	3030349	50
FBS 10-6	32 A	3030271	10
FBS 20-6	32 A	3030365	10
ATP-ST QUATTRO		3030815	50
MPS-MT		0201744	10
MPS-IH RD		0201676	10
PS-6		3030996	10
WST 4		3030954	50
SZF 1-0,6X3,5		1204517	10

UC-TM 5, UCT-TM 5 or ZB 5
(see Catalog 5)
UC-TMF 5, UCT-TMF 5 or ZBF 5
(see Catalog 5)

UC-TM 5, UCT-TM 5 or ZB 5
(see Catalog 5)
UC-TMF 5, UCT-TMF 5 or ZBF 5
(see Catalog 5)

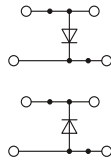
UC-TM 6, UCT-TM 6 or ZB 6
(see Catalog 5)
UC-TMF 6, UCT-TMF 6 or ZBF 6
(see Catalog 5)

Modular terminal blocks - CLIPLINE complete

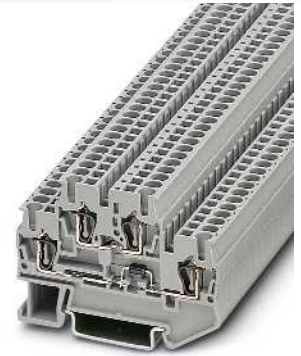
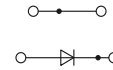
ST spring-cage connection terminal blocks

STTB 2,5... diode and LED double-level terminal blocks

- Double-level diode and light indicator terminal blocks carry out a great variety of switching tasks
- For more versions and versions for soldering in components yourself, visit www.phoenixcontact.net/products



2.5 (4) mm², 26 A, double-level diode terminal block



2.5 (4) mm², 26 A, double-level diode terminal block

Notes:
For more plug-in bridges, see page 472.
1) The max. current is determined by the diode. Integrated: diode 1N 4007, reverse voltage: 1300 V, maximum continuous current: 0.5 A.
2) The operating voltage is determined by the LED version.



Dimensions	[mm]
Max. electrical data	
Rated data	
Rated voltage [V]	500
Nominal current / cross section [A] / [mm ²]	22 ¹⁾ / 2.5
Rated cross section [mm ²]	2.5
Cross section range AWG	28 - 12
Connection capacity	
1 conductor [mm ²]	0.08 - 4
Two stranded conductors with a TWIN ferrule [mm ²]	0.08 - 2.5
General data	
Stripping length [mm]	10
Insulating material	PA
Inflammability class according to UL 94	V0

Technical data				
Width	Length	Height NS 35/7,5		
5.2	67.5	47.5		
I _{max} [A]	U _{max} [V]	max. Ø [mm ²]	AWG	
26 ¹⁾	500	0.08 - 4	28 - 12	
IEC	UL/CUL	CSA	IEC/EN 60079-7	
500	600	300	-	
22 ¹⁾ / 2.5	20 / -	-	-	
2.5	-	-	-	
28 - 12	28-12	28-12	-	
solid		stranded		Ferrule
				Without / with plastic sleeve
0.08 - 4	0.08 - 2.5	0.14 - 2.5	0.14 - 2.5	
0.5				
10	PA	V0		

Technical data				
Width	Length	Height NS 35/7,5		
5.2	67.5	47.5		
I _{max} [A]	U _{max} [V]	max. Ø [mm ²]	AWG	
26 ¹⁾	500	0.08 - 4	28 - 12	
IEC	UL/CUL	CSA	IEC/EN 60079-7	
500	600	300	-	
22 ¹⁾ / 2.5	20 / -	-	-	
2.5	-	-	-	
28 - 12	28-12	28-12	-	
solid		stranded		Ferrule
				Without / with plastic sleeve
0.08 - 4	0.08 - 2.5	0.14 - 2.5	0.14 - 2.5	
0.5				
10	PA	V0		

Description	No. of pos.	Color
Terminal block , with integrated 1N 4007 diode, conducting from top to bottom		gray
Spring-cage terminal block , with integrated 1N 4007 diode, conducting direction from bottom to top		gray
Terminal block , with integrated 1N 4007 diode, conducting from right to left		gray
Terminal block , with two integrated 1N 4007 diodes, conducting from top to bottom left and from bottom right to bottom left		gray
Terminal block , with two integrated 1N 4007 diodes, conducting direction from top to bottom left and from top to bottom right		gray
Terminal block , with light indicator		
With light indicator for 12-30 V DC, 0.7-2.4 mA		gray
With light indicator for 30-60 V DC, 0.8-1.8 mA		gray
With light indicator for 110-230 V AC/DC, 0.1-0.5 mA		gray
Terminal block , with integrated PT 100 temperature sensor and fitted cover		gray

Ordering data			
Type	I _{max}	Order No.	Pcs. / Pkt.
STTB 2,5-DIO/O-U		3031555	50
STTB 2,5-DIO/U-O		3031563	50
STTB 2,5-DIO/UL-UR		3031571	50

Ordering data			
Type	I _{max}	Order No.	Pcs. / Pkt.
STTB 2,5-DIO/O-U		3031555	50
STTB 2,5-DIO/U-O		3031563	50
STTB 2,5-DIO/UL-UR		3031571	50

Cover , width 2.2 mm	gray
Plug-in bridge	
	2 red
	5 red
	10 red
Double marker carrier , can be snapped into STTB 2,5, STTB 4, PTTB 2,5 PTTB 4 double-level terminal blocks, can be labeled with UC-TM 5, ZB 5 or UC-TMF 5, ZBF 5	gray
Warning cover , for actuation shafts, 5-pos.	yellow

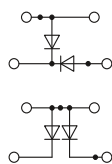
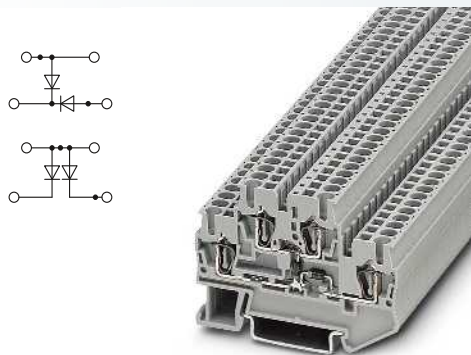
Accessories			
D-STTB 2,5		Order No.	Pcs. / Pkt.
FBS 2-5	20 A	3030161	50
FBS 5-5	20 A	3030190	50
FBS 10-5	20 A	3030213	10
STP 5-2		0800967	100
WST 2,5		3030941	50

Accessories			
D-STTB 2,5		Order No.	Pcs. / Pkt.
FBS 2-5	20 A	3030161	50
FBS 5-5	20 A	3030190	50
FBS 10-5	20 A	3030213	10
STP 5-2		0800967	100
WST 2,5		3030941	50

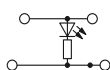
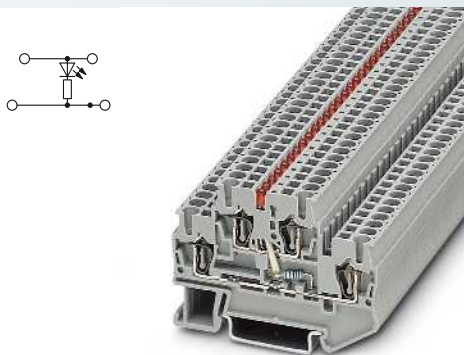
Center and lateral groove labeling

UC-TMF 5, UCT-TMF 5 or ZBF 5 (see Catalog 5)

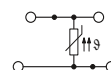
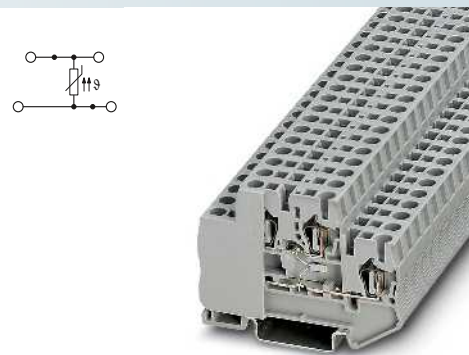
UC-TMF 5, UCT-TMF 5 or ZBF 5 (see Catalog 5)



2.5 (4) mm², 26 A, double-level diode terminal block



2.5 (4) mm², 26 A, double-level terminal block with LED



2.5 (4) mm², double-level terminal block with PT 100 temperature sensor



Technical data			
Width	Length	Height NS 35/7,5	
5.2	67.5	47.5	
I_{max} [A]	U_{max} [V]	max. Ø [mm ²]	AWG
26 ¹⁾	250	0.08 - 4	28 - 12
IEC	UL/CUL	CSA	IEC/EN 60079-7
250	600	300	-
22 ¹⁾ / 2.5	20 / -	-	-
2.5	-	-	-
28 - 12	28-12	28-12	-
solid	stranded	Ferrule	
Without / with plastic sleeve			
0.08 - 4	0.08 - 2.5	0.14 - 2.5	0.14 - 2.5
0.5			
10	PA	V0	

Technical data			
Width	Length	Height NS 35/7,5	
5.2	67.5	47.5	
I_{max} [A]	U_{max} [V]	max. Ø [mm ²]	AWG
26	500 ²⁾	0.08 - 4	28 - 12
IEC	UL/CUL	CSA	IEC/EN 60079-7
500 ²⁾	600	-	-
22 / 2.5	20 / -	-	-
2.5	-	-	-
28 - 12	28-12	-	-
solid	stranded	Ferrule	
Without / with plastic sleeve			
0.08 - 4	0.08 - 2.5	0.14 - 2.5	0.14 - 2.5
0.5			
10	PA	V0	

Technical data			
Width	Length	Height NS 35/7,5	
7.4	67.5	47.5	
I_{max} [A]	U_{max} [V]	max. Ø [mm ²]	AWG
-	-	0.08 - 4	28 - 12
IEC	UL/CUL	CSA	IEC/EN 60079-7
-	-	-	-
-	- / -	-	-
2.5	-	-	-
28 - 12	-	-	-
solid	stranded	Ferrule	
Without / with plastic sleeve			
0.08 - 4	0.08 - 2.5	0.14 - 2.5	0.14 - 2.5
0.5			
10	PA	V0	

Ordering data			
Type	I_{max}	Order No.	Pcs. / Pkt.
STTB 2,5-2DIO/O-UL/UR-UL		3031584	50
STTB 2,5-2DIO/O-UL/O-UR		3031597	50

Ordering data			
Type	I_{max}	Order No.	Pcs. / Pkt.
STTB 2,5-LA 24 RD		3031607	50
STTB 2,5-LA 60 RD		3031610	50
STTB 2,5-LA230		3031623	50

Ordering data			
Type	I_{max}	Order No.	Pcs. / Pkt.
STTB 2,5-PT100 MD		3035564	50

Accessories			
D-STTB 2,5		3030459	50
FBS 2-5	20 A	3030161	50
FBS 5-5	20 A	3030190	50
FBS 10-5	20 A	3030213	10
STP 5-2		0800967	100
WST 2,5		3030941	50

Accessories			
D-STTB 2,5		3030459	50
FBS 2-5	20 A	3030161	50
FBS 5-5	20 A	3030190	50
FBS 10-5	20 A	3030213	10
STP 5-2		0800967	100
WST 2,5		3030941	50

Accessories			
FBS 2-5	20 A	3030161	50
FBS 5-5	20 A	3030190	50
FBS 10-5	20 A	3030213	10
STP 5-2		0800967	100
WST 2,5		3030941	50

UC-TMF 5, UCT-TMF 5 or ZBF 5
(see Catalog 5)

UC-TMF 5, UCT-TMF 5 or ZBF 5
(see Catalog 5)

UC-TMF 5, UCT-TMF 5 or ZBF 5
(see Catalog 5)

Modular terminal blocks - CLIPLINE complete

ST spring-cage connection terminal blocks

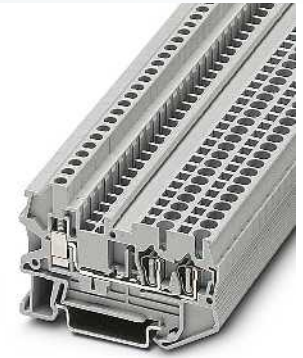
STU ... hybrid terminal blocks with screw connection on one side



The advantages of the different connection methods are:

- The TWIN spring-cage connection is used on the internal control cabinet side and the universal screw connection is used on the end customer side
- Compact design
- Can be consistently bridged to standard terminal blocks in the ST spring-cage terminal block series
- Operational large and continuous labeling
- Ground terminal blocks of the same shape meet all the requirements of standard IEC 60947-7-2

Notes:
For current carrying capacity of DIN rails, see page 716.



2.5 (4) mm², 28 A, feed-through terminal block, 3 connections



Dimensions	[mm]
Max. electrical data	
Rated data	
Rated voltage	[V]
Nominal current / cross section	[A] / [mm ²]
Rated cross section	[mm ²]
Cross section range	AWG
Connection capacity of screw connection	
1 conductor	[mm ²]
Two conductors (of the same type)	[mm ²]
Two stranded conductors with a TWIN ferrule	[mm ²]
Connection capacity of spring-cage connection	
1 conductor	[mm ²]
Two conductors with a TWIN ferrule	[mm ²]
General data	
Stripping length, screw connection	[mm]
Stripping length, spring-cage connection	[mm]
Screw thread	
Tightening torque	[Nm]
Insulating material	
Inflammability class according to UL 94	

Technical data				
Width	Length	Height NS 35/7,5		
5.2	65.3	42.8		
I _{max} [A]	U _{max} [V]	max. Ø [mm ²]	AWG	
28	800	0.08 - 4	28 - 12	
IEC 60947-7-1				
IEC	UL/CUL	CSA	IEC/EN 60079-7	
800	600	600	-	
24 / 2.5	20 / -	20 / -	-	
2.5	-	-	-	
28 - 12	28-12	28-12	-	
solid		stranded		Ferrule
				Without / with plastic sleeve
0.14 - 4	0.14 - 2.5	0.14 - 2.5	0.14 - 2.5	
0.14 - 2.5	0.2 - 2.5	0.14 - 1.5	-	
				0.5 - 1
solid		stranded		Ferrule
				Without / with plastic sleeve
0.08 - 4	0.08 - 2.5	0.14 - 2.5	0.14 - 2.5	
				0.5 - 1
General data				
Stripping length, screw connection [mm] 9				
Stripping length, spring-cage connection [mm] 10				
Screw thread M3				
Tightening torque [Nm] 0.6 - 0.8				
Insulating material PA				
Inflammability class according to UL 94 V0				

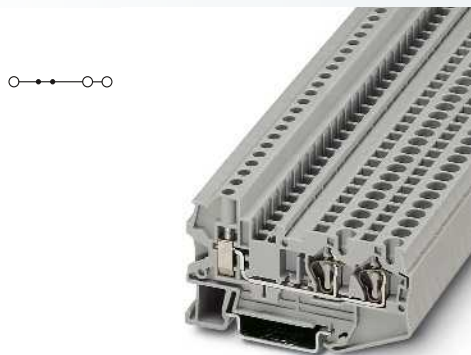
Description	No. of pos.	Color
Terminal block , for mounting on NS 35...		gray blue
Ground terminal block , for mounting on NS 35...		green-yellow

Ordering data			
Type	I _{max}	Order No.	Pcs. / Pkt.
STU 2,5-TWIN		3033016	50
STU 2,5-TWIN BU		3033029	50

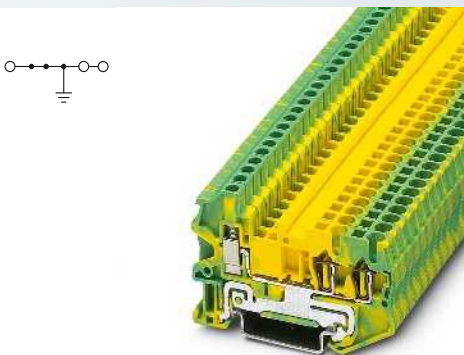
Cover , width 2.2 mm		gray
Insulation stop sleeve , cross section range:		
0.08 - 0.2 mm ²		white
0.25 - 0.5 mm ²		gray
0.75 - 1 mm ²		black
Plug-in bridge		
	2	red
	3	red
	4	red
	5	red
	10	red
	20	red
Test plug metal part , 2.3 mm Ø		red
Insulating sleeve , for MPS metal part		red
Modular test plug , for the individual assembly of test plug strips		red
Warning cover , for actuation shafts, 5-pos.		yellow

Accessories			
D-STU 2,5-TWIN		Order No.	Pcs. / Pkt.
		3033045	50
ISH 2,5/0,2		3002843	50
ISH 2,5/0,5		3002856	50
ISH 2,5/1,0		3002869	50
FBS 2-5	24 A	3030161	50
FBS 3-5	24 A	3030174	50
FBS 4-5	24 A	3030187	50
FBS 5-5	24 A	3030190	50
FBS 10-5	24 A	3030213	10
FBS 20-5	24 A	3030226	10
MPS-MT		0201744	10
MPS-IH RD		0201676	10
PS-5		3030983	10
WST 2,5		3030941	50
SZF 1-0,6X3,5		1204517	10

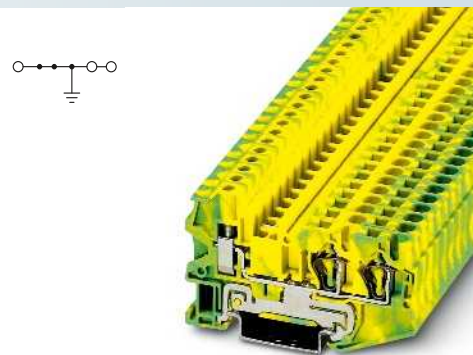
Center groove labeling	UC-TM 5, UCT-TM 5 or ZB 5 (see Catalog 5)
Center and lateral groove labeling	UC-TMF 5, UCT-TMF 5 or ZBF 5 (see Catalog 5)



4 (6) mm², 38 A, feed-through terminal block, 3 connections



2.5 (4) mm², ground terminal block, 3 connections



4 (6) mm², ground terminal block, 3 connections



Technical data			
Width	Length	Height NS 35/7,5	
6.2	74.4	42.8	
I _{max} [A]	U _{max} [V]	max. Ø [mm ²]	AWG
38	800	0.08 - 6	28 - 10
IEC 60947-7-1			
IEC	UL/CUL	CSA	IEC/EN 60079-7
800	600	600	-
32 / 4	30 / -	30 / -	-
4	-	-	-
28 - 10	28-10	28-10	-
solid	stranded	Ferrule Without / with plastic sleeve	
0.14 - 6	0.14 - 4	0.14 - 4	0.14 - 4
0.14 - 1.5	0.14 - 1.5	0.14 - 1.5	-
			0.5 - 2.5
solid	stranded	Ferrule Without / with plastic sleeve	
0.08 - 6	0.08 - 4	0.14 - 4	0.14 - 4
			0.5 - 1
10			
10			
M3			
0.6 - 0.8			
PA			
V0			

Technical data			
Width	Length	Height NS 35/7,5	
5.2	65.3	42.8	
I _{max} [A]	U _{max} [V]	max. Ø [mm ²]	AWG
		0.08 - 4	28 - 12
IEC 60947-7-2			
IEC	UL/CUL	CSA	IEC/EN 60079-7
-	-	-	-
-	-	-	-
2.5	-	-	-
28 - 12	28-12	28-12	-
solid	stranded	Ferrule Without / with plastic sleeve	
0.14 - 4	0.14 - 2.5	0.14 - 2.5	0.14 - 2.5
0.14 - 2.5	0.2 - 2.5	0.14 - 1.5	-
			0.5 - 1
solid	stranded	Ferrule Without / with plastic sleeve	
0.08 - 4	0.08 - 2.5	0.14 - 2.5	0.14 - 2.5
			0.5 - 1
9			
10			
M3			
0.6 - 0.8			
PA			
V0			

Technical data			
Width	Length	Height NS 35/7,5	
6.2	74.4	42.8	
I _{max} [A]	U _{max} [V]	max. Ø [mm ²]	AWG
38	800	0.08 - 6	28 - 10
IEC 60947-7-2			
IEC	UL/CUL	CSA	IEC/EN 60079-7
-	-	-	-
-	-	-	-
4	-	-	-
28 - 10	28-10	28-10	-
solid	stranded	Ferrule Without / with plastic sleeve	
0.14 - 6	0.14 - 4	0.14 - 4	0.14 - 4
0.14 - 1.5	0.14 - 1.5	0.14 - 1.5	-
			0.5 - 2.5
solid	stranded	Ferrule Without / with plastic sleeve	
0.08 - 6	0.08 - 4	0.14 - 4	0.14 - 4
			0.5 - 1
10			
10			
M3			
0.6 - 0.8			
PA			
V0			

Ordering data			
Type	I _{max}	Order No.	Pcs. / Pkt.
STU 4-TWIN		3033058	50
STU 4-TWIN BU		3033061	50

Ordering data			
Type		Order No.	Pcs. / Pkt.
STU 2,5-TWIN-PE		3033032	50

Ordering data			
Type		Order No.	Pcs. / Pkt.
STU 4-TWIN-PE		3033074	50

Accessories			
D-STU 4-TWIN		3033087	50
ISH 4/0,5		3002885	50
ISH 4/1,0		3002898	50
FBS 2-6	32 A	3030336	50
FBS 3-6	32 A	3030242	50
FBS 4-6	32 A	3030255	50
FBS 5-6	32 A	3030349	50
FBS 10-6	32 A	3030271	10
FBS 20-6	32 A	3030365	10
MPS-MT		0201744	10
MPS-IH RD		0201676	10
PS-6		3030996	10
WST 4		3030954	50
SZF 1-0,6X3,5		1204517	10

Accessories			
D-STU 2,5-TWIN		3033045	50
ISH 2,5/0,2		3002843	50
ISH 2,5/0,5		3002856	50
ISH 2,5/1,0		3002869	50
FBS 2-5		3030161	50
FBS 3-5		3030174	50
FBS 4-5		3030187	50
FBS 5-5		3030190	50
FBS 10-5		3030213	10
FBS 20-5		3030226	10
MPS-MT		0201744	10
MPS-IH RD		0201676	10
PS-5		3030983	10
WST 2,5		3030941	50
SZF 1-0,6X3,5		1204517	10

Accessories			
D-STU 4-TWIN		3033087	50
ISH 4/0,5		3002885	50
ISH 4/1,0		3002898	50
FBS 2-6		3030336	50
FBS 3-6		3030242	50
FBS 4-6		3030255	50
FBS 5-6		3030349	50
FBS 10-6		3030271	10
FBS 20-6		3030365	10
MPS-MT		0201744	10
MPS-IH RD		0201676	10
PS-6		3030996	10
WST 4		3030954	50
SZF 1-0,6X3,5		1204517	10

UC-TM 6, UCT-TM 6 or ZB 6
(see Catalog 5)
UC-TMF 6, UCT-TMF 6 or ZBF 6
(see Catalog 5)

UC-TM 5, UCT-TM 5 or ZB 5
(see Catalog 5)
UC-TMF 5, UCT-TMF 5 or ZBF 5
(see Catalog 5)

UC-TM 6, UCT-TM 6 or ZB 6
(see Catalog 5)
UC-TMF 6, UCT-TMF 6 or ZBF 6
(see Catalog 5)

ST spring-cage connection terminal blocks

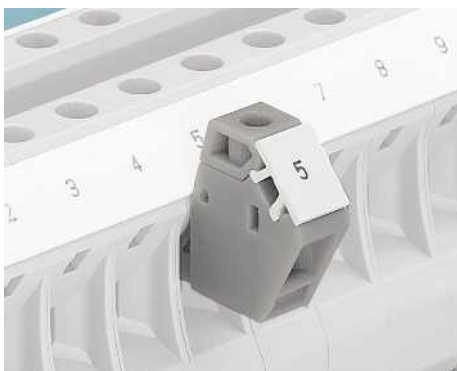
STU 10/ 4X2,5 hybrid terminal block for potential distribution



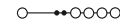
- The STU 10/4x2,5 spring-cage hybrid terminal block is a space-saving potential distributor that distributes a 10 mm² feed line to four 2.5 mm² connections
- It is supplied using a 10 mm² screw connection
- The system-internal distribution is via four spring-cage connections with a nominal cross section of 2.5 mm²
- The double bridge shaft allows further potential distributions
- Can be consistently bridged to standard terminal blocks in the ST spring-cage terminal block series

AGK 4-UT... pick-off terminal blocks

- The fully insulated pick-off terminal block (optional use) permits a voltage pick-off up to a nominal voltage of 1000 V (4 mm²)
- Large area for labeling



Notes:
For more plug-in bridges, see page 472.
1) The total current of all connected conductors must not exceed the max. load current.
2) The reducing bridge table should be followed, see page 476.



10 (16) mm², 60 A, power terminal block,
4 x 2.5 mm² outlets



Dimensions		[mm]	
Max. electrical data			
Rated voltage	[V]	800	600
Nominal current / cross section	[A] / [mm ²]	55 ¹⁾ / 10	50 / -
Rated cross section	[mm ²]	10	-
Cross section range	AWG	20 - 6	20-8
Connection capacity of screw connection			
1 conductor	[mm ²]	0.5 - 16	0.5 - 16
Two conductors (of the same type)	[mm ²]	0.5 - 4	0.5 - 4
Two stranded conductors with a TWIN ferrule	[mm ²]		0.5 - 6
Rated data, spring-cage connection			
Rated voltage	[V]	800	600
Nominal current / cross section	[A] / [mm ²]	24 ¹⁾ / 2.5	50 / -
Cross section range	AWG	28 - 12	-
Connection capacity of spring-cage connection			
1 conductor	[mm ²]	0.08 - 4	0.08 - 2.5
Two stranded conductors with a TWIN ferrule	[mm ²]		0.14 - 2.5

Technical data			
Width	Length	Height NS 35/7,5	
10.3	68	48.3	
I _{max} [A]	U _{max} [V]	max. Ø [mm ²]	AWG
57 ¹⁾	800	0.5 - 16	20 - 6
IEC 60947-7-1			
IEC	UL/CUL	CSA	IEC/EN 60079-7
Connection capacity of screw connection			
solid		stranded	
Ferrule			
Without / with plastic sleeve			
0.5 - 16		0.5 - 16	
0.5 - 4		0.5 - 4	
		0.5 - 2.5	
		0.5 - 6	
IEC 60947-7-1			
IEC	UL/CUL	CSA	IEC/EN 60079-7
Rated data, spring-cage connection			
Rated voltage	[V]	800	600
Nominal current / cross section	[A] / [mm ²]	24 ¹⁾ / 2.5	50 / -
Cross section range	AWG	28 - 12	-
Connection capacity of spring-cage connection			
solid		stranded	
Ferrule			
Without / with plastic sleeve			
0.08 - 4		0.08 - 2.5	
		0.14 - 2.5	
		0.14 - 2.5	
		0.5	
General data			
Stripping length, screw connection	[mm]	10	
Stripping length, spring-cage connection	[mm]	10	
Screw thread		M4	
Tightening torque	[Nm]	1.5 - 1.8	
Insulating material		PA	
Inflammability class according to UL 94		V0	

Description	No. of pos.	Color
Terminal block , for mounting on NS 35...		gray blue

Ordering data			
Type	I _{max}	Order No.	Pcs. / Pkt.
STU 10/ 4X2,5		3033139	50
STU 10/ 4X2,5 BU		3033142	50

Pick-off terminal block , for snapping into the lateral guide		gray
Cover , width 2.2 mm		gray
Plug-in bridge		
	2	red
	5	red
	10	red
	20	red

Accessories			
AGK 4-UT 10		3047112	50
D-STU 10/ 4X2,5		3033197	50
FBS 2-5	24 A	3030161	50
FBS 5-5	24 A	3030190	50
FBS 10-5	24 A	3030213	10
FBS 20-5	24 A	3030226	10

Reducing bridge²⁾		
	2	red
Modular test plug , for the individual assembly of test plug strips		red
Warning cover , for actuation shafts, 5-pos.		yellow

RB ST (2,5/4)-1,5		3038943	10
PS-5		3030983	10
WST 2,5		3030941	50
SZF 2-0,8X4,0		1204520	10

Screwdriver		
Center groove labeling		
Center and lateral groove labeling		

UC-TM 10, UCT-TM 10 or ZB 10 (see Catalog 5)
UC-TMF 5, UCT-TMF 5 or ZBF 5 (see Catalog 5)

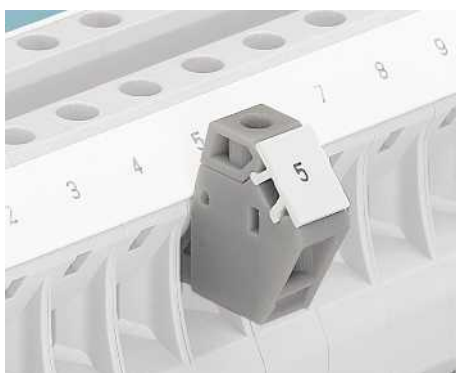
STU 35/ 4X10 hybrid terminal block for potential distribution



- The STU 35/4x10 spring-cage hybrid terminal block is used to subdivide a 35 mm² feed line into four 10 mm² connections
- It is supplied using a 35 mm² screw connection
- The system-internal distribution is via four spring-cage connections with a nominal cross section of 10 mm²
- The double bridge shaft allows further potential distributions
- Can be consistently bridged to standard terminal blocks in the ST spring-cage terminal block series

AGK 4-UT... pick-off terminal blocks

- The fully insulated pick-off terminal block (optional use) permits a voltage pick-off up to a nominal voltage of 1000 V (4 mm²)
- Large area for labeling



Notes:

For more plug-in bridges, see page 472.

1) The total current of all connected conductors must not exceed the max. load current.

2) The reducing bridge table should be followed, see page 476.



35 (50) mm², 125 A, power terminal block, 4 x 10 mm² outlets



Dimensions		[mm]	
Max. electrical data			
Rated voltage	[V]	1000	600
Nominal current / cross section	[A] / [mm ²]	125 ¹⁾ / 35	115 / -
Rated cross section	[mm ²]	35	-
Cross section range	AWG	16 - 1/0	14-2
Connection capacity of screw connection			
1 conductor	[mm ²]	1.5 - 50	1.5 - 35
Two conductors (of the same type)	[mm ²]	1.5 - 16	1.5 - 10
Two stranded conductors with a TWIN ferrule	[mm ²]		1.5 - 10
Rated data, spring-cage connection			
Rated voltage	[V]	1000	600
Nominal current / cross section	[A] / [mm ²]	41 ¹⁾ / 6	115 / -
Cross section range	AWG	24 - 8	-
Connection capacity of spring-cage connection			
1 conductor	[mm ²]	0.2 - 10	0.2 - 6
Two stranded conductors with a TWIN ferrule	[mm ²]		0.25 - 6
General data			
Stripping length, screw connection	[mm]	18	
Stripping length, spring-cage connection	[mm]	12	
Screw thread		M6	
Tightening torque	[Nm]	3.2 - 3.7	
Insulating material		PA	
Inflammability class according to UL 94		V0	

Technical data

Width	Length	Height NS 35/7,5	
16.2	86	46.8	
I _{max} [A]	U _{max} [V]	max. Ø [mm ²]	AWG
125 ¹⁾	1000	1.5 - 50	16 - 1/0
IEC 60947-7-1			
IEC	UL/CUL	CSA	IEC/EN 60079-7
Connection capacity of screw connection		Ferrule	
solid	stranded	Without / with plastic sleeve	
1.5 - 50	1.5 - 35	1.5 - 35	1.5 - 35
1.5 - 16	1.5 - 10	1.5 - 10	-
			1.5 - 10
IEC 60947-7-1			
IEC	UL/CUL	CSA	IEC/EN 60079-7
Connection capacity of spring-cage connection		Ferrule	
solid	stranded	Without / with plastic sleeve	
0.2 - 10	0.2 - 6	0.25 - 6	0.25 - 6
			0.5 - 1.5

Description	No. of pos.	Color
Terminal block , for mounting on NS 35...		gray blue

Ordering data

Type	I _{max}	Order No.	Pcs. / Pkt.
STU 35/ 4X10		3033126	25
STU 35/ 4X10 BU		3033210	25

Pick-off terminal block , for snapping into the lateral guide		gray
Plug-in bridge	2	red
	5	red
Reducing bridge²⁾		
	2	red
Test plug metal part , 2.3 mm Ø		red
Insulating sleeve , for MPS metal part		red
Modular test plug , for the individual assembly of test plug strips		red
Screwdriver		
Center and lateral groove labeling		

Accessories

AGK 4-UT 35		3047138	50
FBS 2-8	41 A	3030284	10
FBS 5-8	41 A	3030310	10
RB ST 6-(2,5/4)		3030860	10
MPS-MT		0201744	10
MPS-IH RD		0201676	10
PS-8		3031005	10
SZF 3-1,0X5,5		1206612	10

UC-TM 16, UCT-TM 16 or ZB 16,3 (see Catalog 5)

ST spring-cage connection terminal blocks

STU ... hybrid double-level terminal blocks with screw connection on one side

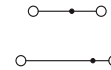
The compact hybrid double-level terminal blocks offer maximum wiring convenience combined with maximum space savings:

- Bridgeable on both levels to implement different switching tasks
- Can be continuously bridged to the STTB 4 standard double-level terminal blocks
- For ease of recognition, each terminal point can be labeled

STP ... double marker carriers

- Optional, large labeling option using STP... double marker carriers

Notes:
For current carrying capacity of DIN rails, see page 716.
For suitable double marker carriers, see page 484.
¹⁾ The total current of all connected conductors must not exceed the max. load current.



4 (6) mm², 36 A, double-level terminal block



Dimensions	
	[mm]
Max. electrical data	
Rated data	
Rated voltage	[V]
Nominal current / cross section	[A] / [mm ²]
Rated cross section	[mm ²]
Cross section range	AWG
Connection capacity of screw connection	
1 conductor	[mm ²]
Two conductors (of the same type)	[mm ²]
Two stranded conductors with a TWIN ferrule	[mm ²]
Connection capacity of spring-cage connection	
1 conductor	[mm ²]
Two stranded conductors with a TWIN ferrule	[mm ²]
General data	
Stripping length, screw connection	[mm]
Stripping length, spring-cage connection	[mm]
Screw thread	
Tightening torque	[Nm]
Insulating material	
Inflammability class according to UL 94	

Technical data				
Width	Length	Height NS 35/7,5		
6.2	81	55.5		
I _{max} [A]	U _{max} [V]	max. Ø [mm ²]	AWG	
36	500	0.14 - 6	26 - 10	
IEC 60947-7-1				
IEC	UL/CUL	CSA	IEC/EN 60079-7	
Rated voltage				
500	-	-	-	-
Nominal current / cross section				
30 / 4	-	-	-	-
Rated cross section				
4	-	-	-	-
Cross section range				
26 - 10	-	-	-	-
Connection capacity of screw connection		Ferrule		
	solid	stranded	Without / with plastic sleeve	
1 conductor	0.14 - 6	0.14 - 6	0.14 - 4	0.14 - 4
Two conductors (of the same type)	0.14 - 1.5	0.14 - 1.5	0.14 - 1.5	-
Two stranded conductors with a TWIN ferrule				0.5 - 2.5
Connection capacity of spring-cage connection		Ferrule		
	solid	stranded	Without / with plastic sleeve	
1 conductor	0.08 - 6	0.08 - 4	0.14 - 4	0.14 - 4
Two stranded conductors with a TWIN ferrule				0.5 - 1
General data				
Stripping length, screw connection	[mm]	10		
Stripping length, spring-cage connection	[mm]	10		
Screw thread		M3		
Tightening torque	[Nm]	0.6 - 0.8		
Insulating material		PA		
Inflammability class according to UL 94		V0		

Description	No. of pos.	Color
Terminal block, for mounting on NS 35...		gray blue
Terminal block, with equipotential bonder, for mounting on NS 35...		gray
Ground terminal block, for mounting on NS 35...		green-yellow

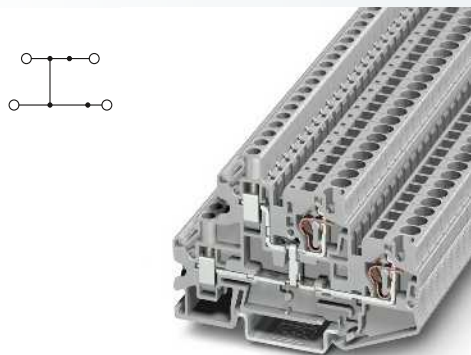
Ordering data			
Type	I _{max}	Order No.	Pcs. / Pkt.
STTB 4		3033155	50
STTB 4 BU		3033168	50

Cover, width 2.2 mm		gray
Plug-in bridge		
	2	red
	3	red
	4	red
	5	red
	10	red
	20	red
Partition plate, 2 mm width		gray
Double marker carrier, can be snapped into STTB 2,5, STTB 4, PTTB 2,5 PTTB 4 double-level terminal blocks, can be labeled with UC-TM 5, ZB 5 or UC-TMF 5, ZBF 5		gray

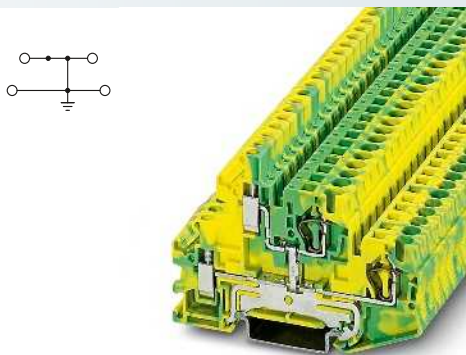
Accessories			
D-STTB 4		3033207	50
FBS 2-6	26 A	3030336	50
FBS 3-6	26 A	3030242	50
FBS 4-6	26 A	3030255	50
FBS 5-6	26 A	3030349	50
FBS 10-6	26 A	3030271	10
FBS 20-6	26 A	3030365	10
ATP-STTB 4		3030747	50
STP 5-2		0800967	100

Screwdriver		
Center groove labeling		
Center and lateral groove labeling		

SZF 1-0,6X3,5		1204517	10
UC-TM 6, UCT-TM 6 or ZB 6 (see Catalog 5)			
UC-TMF 6, UCT-TMF 6 or ZBF 6 (see Catalog 5)			



4 (6) mm², 36 A, double-level terminal block, internally connected levels



4 (6) mm², double-level ground terminal block



Technical data			
Width	Length	Height NS 35/7,5	
6.2	81	55.5	
I_{max} [A]	U_{max} [V]	max. Ø [mm ²]	AWG
36*)	500	0.14 - 6	26 - 10
IEC 60947-7-1			
IEC	UL/CUL	CSA	IEC/EN 60079-7
500	-	-	-
30 / 4	-	-	-
4	-	-	-
26 - 10	-	-	-
solid	stranded	Ferrule	
		Without / with plastic sleeve	
0.14 - 6	0.14 - 6	0.14 - 4	0.14 - 4
0.14 - 1.5	0.14 - 1.5	0.14 - 1.5	-
			0.5 - 2.5
solid	stranded	Ferrule	
		Without / with plastic sleeve	
0.08 - 6	0.08 - 4	0.14 - 4	0.14 - 4
			0.5 - 1
10			
10			
M3			
0.6 - 0.8			
PA			
V0			

Technical data			
Width	Length	Height NS 35/7,5	
6.2	81	55.5	
I_{max} [A]	U_{max} [V]	max. Ø [mm ²]	AWG
36*)	500	0.14 - 6	26 - 10
IEC 60947-7-2			
IEC	UL/CUL	CSA	IEC/EN 60079-7
-	-	-	-
-	-	-	-
4	-	-	-
26 - 10	-	-	-
solid	stranded	Ferrule	
		Without / with plastic sleeve	
0.14 - 6	0.14 - 6	0.14 - 4	0.14 - 4
0.14 - 1.5	0.14 - 1.5	0.14 - 1.5	-
			0.5 - 2.5
solid	stranded	Ferrule	
		Without / with plastic sleeve	
0.08 - 6	0.08 - 4	0.14 - 4	0.14 - 4
			0.5 - 1
10			
10			
M3			
0.6 - 0.8			
PA			
V0			

Ordering data			
Type	I_{max}	Order No.	Pcs. / Pkt.
STTB 4-PV		3033184	50

Ordering data			
Type	I_{max}	Order No.	Pcs. / Pkt.
STTB 4-PE		3033171	50

Accessories			
D-STTB 4		3033207	50
FBS 2-6	26 A	3030336	50
FBS 3-6	26 A	3030242	50
FBS 4-6	26 A	3030255	50
FBS 5-6	26 A	3030349	50
FBS 10-6	26 A	3030271	10
FBS 20-6	26 A	3030365	10
ATP-STTB 4		3030747	50
STP 5-2		0800967	100
SZF 1-0,6X3,5		1204517	10

Accessories			
D-STTB 4		3033207	50
FBS 2-6		3030336	50
FBS 3-6		3030242	50
FBS 4-6		3030255	50
FBS 5-6		3030349	50
FBS 10-6		3030271	10
FBS 20-6		3030365	10
ATP-STTB 4		3030747	50
STP 5-2		0800967	100
SZF 1-0,6X3,5		1204517	10

UC-TM 6, UCT-TM 6 or ZB 6
(see Catalog 5)
UC-TMF 6, UCT-TMF 6 or ZBF 6
(see Catalog 5)

UC-TM 6, UCT-TM 6 or ZB 6
(see Catalog 5)
UC-TMF 6, UCT-TMF 6 or ZBF 6
(see Catalog 5)

ST spring-cage connection terminal blocks

STS ... desk-design feed-through terminal blocks



The extremely compact STS ... spring-cage terminal blocks in desk design were developed for wiring systems where space is saved by means of underfloor wiring. They are characterized by:

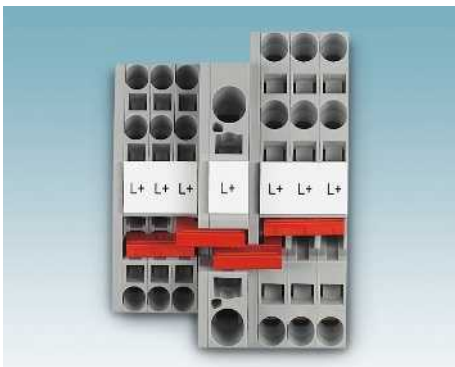
- Angled conductor entry for use in flat terminal boxes
- User-friendly wiring thanks to front connection
- Large space saving when used in concealed wiring systems
- The STS 2,5 and STS 4 are fitted with four bridge shafts which opens up a large number of potential bridging options
- Feed-through terminal blocks with 2, 3 or 4 connections have the same shape

Terminal strip service

We produce fully pre-assembled terminal strips for fitting straight into the control cabinet or switch system. This simplifies installation, saves time, and cuts costs.

Potential infeed

- Using the RB ST 6-(2,5/4) reducing bridge is the easiest way of producing potential infeeds on spring-cage terminal blocks with smaller cross sections



Notes:
1) For installation notes on the use of accessories for Ex e applications, see page 710.
2) The reducing bridge table should be followed, see page 476.



2.5 (4) mm², 31 A, feed-through terminal block



Ex: PTB 07ATEX1027U / IECEx PTB 07.0024U

Dimensions		[mm]	
Max. electrical data			
I_{max} [A]	U_{max} [V]	max. \varnothing [mm ²]	AWG
31	800	0.08 - 4	28 - 12
IEC 60947-7-1			
Rated data			
Rated voltage	[V]	800	600
Nominal current / cross section	[A] / [mm ²]	24 / 2.5	20 / -
Rated cross section	[mm ²]	2.5	-
Cross section range	AWG	28 - 12	28-12
Connection capacity			
1 conductor	[mm ²]	0.08 - 4	0.14 - 2.5
Two stranded conductors with a TWIN ferrule	[mm ²]	0.08 - 2.5	0.14 - 2.5
General data			
Stripping length	[mm]	10	
Insulating material		PA	
Inflammability class according to UL 94		V0	

Technical data				
Width	Length	Height NS 35/7,5		
5.2	49	43		
I_{max} [A]	U_{max} [V]	max. \varnothing [mm ²]	AWG	
31	800	0.08 - 4	28 - 12	
IEC 60947-7-1				
IEC	UL/CUL	CSA	IEC/EN 60079-7	
Rated voltage		600	550	
Nominal current / cross section	[A] / [mm ²]	20 / -	20.5 / 2.5 // 26.5 / 4	
Rated cross section	[mm ²]	-	2.5	
Cross section range	AWG	28-12	28 - 12	
Connection capacity				
		Ferrule		
		Without / with plastic sleeve		
0.08 - 4	0.08 - 2.5	0.14 - 2.5	0.14 - 2.5	
0.5				
10				
PA				
V0				

Description	No. of pos.	Color
Terminal block, for mounting on NS 35...		gray blue orange red

Ordering data			
Type	I_{max}	Order No.	Pcs. / Pkt.
STS 2,5		3036398	50
STS 2,5 BU		3036408	50
STS 2,5 OG		3037478	50
STS 2,5 RD		3037601	50

Cover, width 2.2 mm	gray
Insulation stop sleeve , cross section range:	
0.08 - 0.2 mm ²	white
0.25 - 0.5 mm ²	gray
0.75 - 1 mm ²	black
Plug-in bridge	
	2 red
	3 red
	4 red
	5 red
	10 red
	20 red

Accessories¹⁾

D-ST5 2,5	3031762	50
ISH 2,5/0,2	3002843	50
ISH 2,5/0,5	3002856	50
ISH 2,5/1,0	3002869	50
FBS 2-5	24 A	3030161
FBS 3-5	24 A	3030174
FBS 4-5	24 A	3030187
FBS 5-5	24 A	3030190
FBS 10-5	24 A	3030213
FBS 20-5	24 A	3030226
ATP-QTC	3206209	50
PAI-4-N GY	3032871	10
MPS-MT	0201744	10
MPS-IH RD	0201676	10
PS-5	3030983	10
WST 2,5	3030941	50
SZF 1-0,6X3,5	1204517	10

Reducing bridge ²⁾		
	2	red
Partition plate, 2 mm width	gray	
Test adapter, 4-mm test socket hole	gray	
Test plug metal part, 2.3 mm \varnothing		
Insulating sleeve, for MPS metal part	red	
Modular test plug, for the individual assembly of test plug strips	red	
Warning cover, for actuation shafts, 5-pos.	yellow	
Screwdriver		
Center groove labeling		

UC-TM 5, UCT-TM 5 or ZB 5 (see Catalog 5)



4 (6) mm², 38 A, feed-through terminal block



6 (10) mm², 57 A, feed-through terminal block



Ex: PTB 07ATEX1027U / IECEx PTB 07.0024U



Technical data			
Width	Length	Height NS 35/7,5	
6.2	64.5	43	
I _{max} [A]	U _{max} [V]	max. Ø [mm ²]	AWG
38	800	0.08 - 6	28 - 10
IEC 60947-7-1			
IEC	UL/CUL	CSA	IEC/ EN 60079-7
800	600	600	550
32 / 4	30 / -	30 / -	28.5 / 4 // 34.5 / 6
4	-	-	4
28 - 10	28-10	28-10	28 - 10
solid	stranded	Ferrule	
		Without / with plastic sleeve	
0.08 - 6	0.08 - 4	0.14 - 4	0.14 - 4 0.5 - 1
10	PA	V0	

Technical data			
Width	Length	Height NS 35/7,5	
8.2	58	50	
I _{max} [A]	U _{max} [V]	max. Ø [mm ²]	AWG
57	800	0.2 - 10	24 - 8
IEC 60947-7-1			
IEC	UL/CUL	CSA	IEC/ EN 60079-7
800	600	600	-
41 / 6	50 / -	50 / -	-
6	-	-	-
24 - 8	24-8	24-8	-
solid	stranded	Ferrule	
		Without / with plastic sleeve	
0.2 - 10	0.2 - 6	0.25 - 6	0.25 - 6 0.25 - 1.5
12	PA	V0	

Ordering data			
Type	I _{max}	Order No.	Pcs. / Pkt.
STS 4		3036424	50
STS 4 BU		3036437	50
STS 4 OG		3037481	50
STS 4 RD		3037494	50

Ordering data			
Type	I _{max}	Order No.	Pcs. / Pkt.
STS 6		3038121	50
STS 6 BU		3038134	50

Accessories ¹⁾			
D-ST5 4		3031704	50
ISH 4/0,5		3002885	50
ISH 4/1,0		3002898	50
FBS 2-6	32 A	3030336	50
FBS 3-6	32 A	3030242	50
FBS 4-6	32 A	3030255	50
FBS 5-6	32 A	3030349	50
FBS 10-6	32 A	3030271	10
FBS 20-6	32 A	3030365	10
ATP-ST 6		3024481	50
PAI-4-N GY		3032871	10
MPS-MT		0201744	10
MPS-IH RD		0201676	10
PS-6		3030996	10
WST 4		3030954	50
SZF 1-0,6X3,5		1204517	10

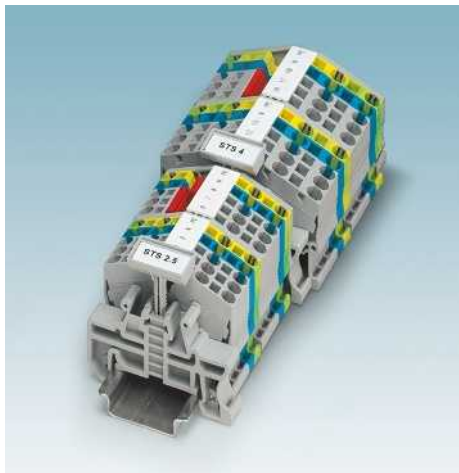
Accessories ¹⁾			
D-ST5 6		3038189	50
FBS 2-8	41 A	3030284	10
FBS 3-8	41 A	3030297	10
FBS 4-8	41 A	3030307	10
FBS 5-8	41 A	3030310	10
FBS 10-8	41 A	3030323	10
RB ST 6-(2,5/4)		3030860	10
ATP-ST 6		3024481	50
PAI-4-N GY		3032871	10
MPS-MT		0201744	10
MPS-IH RD		0201676	10
PS-8		3031005	10
SZF 2-0,8X4,0		1204520	10

UC-TM 6, UCT-TM 6 or ZB 6 (see Catalog 5)

UC-TM 8, UCT-TM 8 or ZB 8 (see Catalog 5)

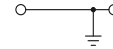
ST spring-cage connection terminal blocks

STS ...-PE desk-design ground terminal blocks



- Same shape and pitch as the feed-through terminal blocks
- Contact is made free from mechanical and electrical errors by simply snapping onto the DIN rail
- All the requirements of standard IEC 60947-7-2 are met

Notes:
For current carrying capacity of DIN rails, see page 716.
1) For installation notes on the use of accessories for Ex e applications, see page 710.



2.5 (4) mm², ground terminal block



Ex: PTB 07ATEX1027U / IECEx PTB 07.0024U

Dimensions		[mm]
Max. electrical data		
Rated data		
Rated voltage	[V]	-
Nominal current / cross section	[A] / [mm ²]	- / -
Rated cross section	[mm ²]	2,5
Cross section range	AWG	28 - 12
Connection capacity		
1 conductor	[mm ²]	0.08 - 4
Two stranded conductors with a TWIN ferrule	[mm ²]	0.08 - 2.5
General data		
Stripping length	[mm]	10
Insulating material		PA
Inflammability class according to UL 94		V0

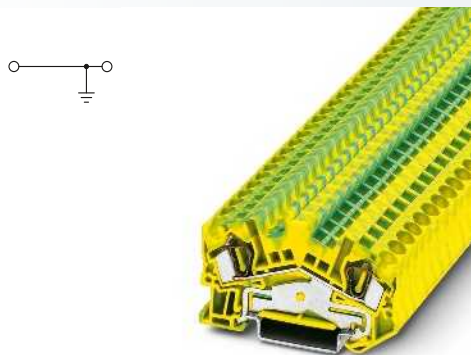
Technical data			
Width	Length	Height NS 35/7,5	
5,2	49	43	
		max. Ø [mm ²]	AWG
		0.08 - 4	28 - 12
IEC 60947-7-2			
IEC	UL/CUL	CSA	IEC/EN 60079-7
-	-	-	(Ex)
-	-	-	-
2,5	-	-	2,5
28 - 12	28-12	28-12	28 - 12
		Ferrule	
solid	stranded	Without / with plastic sleeve	
0.08 - 4	0.08 - 2.5	0.14 - 2.5	0.14 - 2.5
		0.5	

Description	No. of pos.	Color
Ground terminal block , for mounting on NS 35...		green-yellow

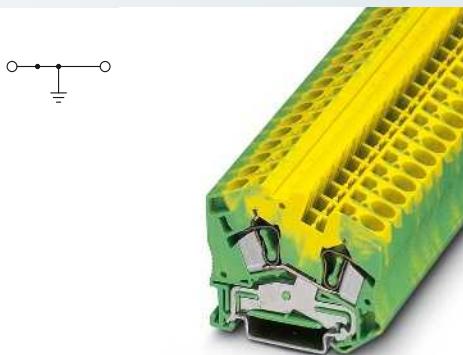
Ordering data		
Type	Order No.	Pcs. / Pkt.
STS 2,5-PE	3036411	50

Cover , width 2.2 mm		gray
Insulation stop sleeve , cross section range:		
0.08 - 0.2 mm ²		white
0.25 - 0.5 mm ²		gray
0.75 - 1 mm ²		black
Plug-in bridge		
	2	red
	3	red
	4	red
	5	red
	10	red
Partition plate , 2 mm width		gray
Test adapter , 4-mm test socket hole		gray
Test plug metal part , 2.3 mm Ø		
Insulating sleeve , for MPS metal part		red
Modular test plug , for the individual assembly of test plug strips		red
Warning cover , for actuation shafts, 5-pos.		yellow
Screwdriver		
Center groove labeling		

Accessories ¹⁾		
D-ST5 2,5	3031762	50
ISH 2,5/0,2	3002843	50
ISH 2,5/0,5	3002856	50
ISH 2,5/1,0	3002869	50
ATP-QTC	3206209	50
WST 2,5	3030941	50
SZF 1-0,6X3,5	1204517	10
UC-TM 5, UCT-TM 5 or ZB 5 (see Catalog 5)		



4 (6) mm², ground terminal block



6 (10) mm², ground terminal block

Ex:
 PTB 07ATEX1027U / IECEx PTB 07.0024U

Technical data			
Width	Length	Height NS 35/7,5	
6.2	64.5	43	
		max. Ø [mm ²]	AWG
		0.08 - 6	28 - 10
IEC 60947-7-2			
IEC	UL/CUL	CSA	IEC/ EN 60079-7
-	-	-	-
4	- / -	-	4
28 - 10	28-10	28-10	28 - 10
solid	stranded	Ferrule	
		Without / with plastic sleeve	
0.08 - 6	0.08 - 4	0.14 - 4	0.14 - 4 0.5 - 1
10			
PA			
V0			

Technical data			
Width	Length	Height NS 35/7,5	
8.2	58	50	
		max. Ø [mm ²]	AWG
		0.2 - 10	24 - 8
IEC 60947-7-2			
IEC	UL/CUL	CSA	IEC/ EN 60079-7
-	-	-	-
6	- / -	-	-
24 - 8	24-8	24-8	-
solid	stranded	Ferrule	
		Without / with plastic sleeve	
0.2 - 10	0.2 - 6	0.25 - 6	0.25 - 6 0.25 - 1.5
12			
PA			
V0			

Ordering data		
Type	Order No.	Pcs. / Pkt.
STS 4-PE	3036440	50

Ordering data		
Type	Order No.	Pcs. / Pkt.
STS 6-PE	3038147	50

Accessories ¹⁾		
D-ST5 4	3031704	50
ISH 4/0,5	3002885	50
ISH 4/1,0	3002898	50
ATP-ST 6	3024481	50
WST 4	3030954	50
SZF 1-0,6X3,5	1204517	10

Accessories ¹⁾		
D-ST5 6	3038189	50
FBS 2-8	3030284	10
FBS 3-8	3030297	10
FBS 4-8	3030307	10
FBS 5-8	3030310	10
FBS 10-8	3030323	10
ATP-ST 6	3024481	50
PAI-4-N GY	3032871	10
MPS-MT	0201744	10
MPS-IH RD	0201676	10
PS-8	3031005	10
SZF 2-0,8X4,0	1204520	10

UC-TM 6, UCT-TM 6 or ZB 6
(see Catalog 5)

UC-TM 8, UCT-TM 8 or ZB 8
(see Catalog 5)

ST spring-cage connection terminal blocks

STS ...-TWIN feed-through terminal blocks with 3 connections, in desk design



- Same shape and pitch as the feed-through terminal blocks
- Cross connection to neighboring feed-through terminal blocks with FBS ... continuous plug-in bridge system

Compact STS 4-TWIN/L

- The space requirements of the 4 mm² feed-through terminal block with 3 connections is minimized by the compact snap-on foot of the STS 4-TWIN/L

Notes:
1) The total current of all connected conductors must not exceed the max. load current.
2) For installation notes on the use of accessories for Ex e applications, see page 710.
3) The reducing bridge table should be followed, see page 476.



2.5 (4) mm², 28 A, feed-through terminal block, 3 connections



Ex: PTB 07ATEX1027U / IECEx PTB 07.0024U

Dimensions		[mm]	
Max. electrical data			
Rated data			
Rated voltage	[V]	800	600
Nominal current / cross section	[A] / [mm ²]	24 ¹⁾ / 2.5	20 / -
Rated cross section	[mm ²]	2.5	-
Cross section range	AWG	28 - 12	28-12
Connection capacity			
1 conductor	[mm ²]	0.08 - 4	0.08 - 2.5
Two stranded conductors with a TWIN ferrule	[mm ²]		
General data			
Stripping length	[mm]	10	
Insulating material		PA	
Inflammability class according to UL 94		V0	

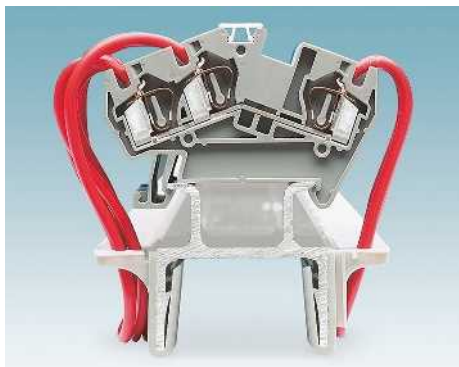
Technical data				
Width	Length	Height NS 35/7,5		
5.2	51	43		
I _{max} [A]	U _{max} [V]	max. Ø [mm ²]	AWG	
28 ¹⁾	800	0.08 - 4	28 - 12	
IEC 60947-7-1		Ex		
IEC	UL/CUL	CSA	IEC/EN 60079-7	
			21 / 2.5 // 25.5 / 4	
			2.5	
			28 - 12	
solid		stranded		Ferrule
				Without / with plastic sleeve
		0.14 - 2.5	0.14 - 2.5	
			0.5	
10				
PA				
V0				

Description	No. of pos.	Color
Terminal block, for mounting on NS 35...		gray blue orange

Ordering data			
Type	I _{max}	Order No.	Pcs. / Pkt.
STS 2,5-TWIN		3031720	50
STS 2,5-TWIN BU		3036275	50
STS 2,5-TWIN OG		3037504	50

Accessories ²⁾		
Cover, width 2.2 mm		gray
Insulation stop sleeve, cross section range:		
0.08 - 0.2 mm ²		white
0.25 - 0.5 mm ²		gray
0.75 - 1 mm ²		black
Plug-in bridge		
	2	red
	3	red
	4	red
	5	red
	10	red
	20	red
Reducing bridge ³⁾		
	2	red
Partition plate, 2 mm width		gray
Test adapter, 4-mm test socket hole		gray
Test plug metal part, 2.3 mm Ø		
Insulating sleeve, for MPS metal part		red
Modular test plug, for the individual assembly of test plug strips		red
Warning cover, for actuation shafts, 5-pos.		yellow
Screwdriver		
Center groove labeling		

Accessories ²⁾		
D-STX 2,5		3031762
		50
ISH 2,5/0,2		3002843
		50
ISH 2,5/0,5		3002856
		50
ISH 2,5/1,0		3002869
		50
FBS 2-5	24 A	3030161
		50
FBS 3-5	24 A	3030174
		50
FBS 4-5	24 A	3030187
		50
FBS 5-5	24 A	3030190
		50
FBS 10-5	24 A	3030213
		10
FBS 20-5	24 A	3030226
		10
ATP-QTC		3206209
		50
PAI-4-N GY		3032871
		10
MPS-MT		0201744
		10
MPS-IH RD		0201676
		10
PS-5		3030983
		10
WST 2,5		3030941
		50
SZF 1-0,6X3,5		1204517
		10
UC-TM 5, UCT-TM 5 or ZB 5 (see Catalog 5)		





4 (6) mm², 38 A, feed-through terminal block, 3 connections



4 (6) mm², 38 A, feed-through terminal block, 3 connections



6 (10) mm², 57 A, feed-through terminal block, 3 connections

UL US PC VDE ABS B KRF ClassNK CCA

Ex: IEC PTB 07ATEX1027U / IECEx PTB 07.0024U

UL US PC VDE ABS B KRF ClassNK CB

UL US ABS B KRF ClassNK

Technical data			
Width	Length	Height NS 35/7,5	
6.2	64.5	43	
I _{max} [A]	U _{max} [V]	max. Ø [mm ²]	AWG
38 ¹⁾	800	0.08 - 6	28 - 10
IEC 60947-7-1			
IEC	UL/CUL	CSA	IEC/EN 60079-7
800	600	600	550
32 ¹⁾ / 4	30 / -	30 / -	30 / 4 // 33 / 6
4	-	-	4
28 - 10	28-10	28-10	28 - 10
solid	stranded	Ferrule	
Without / with plastic sleeve			
0.08 - 6	0.08 - 4	0.14 - 4	0.14 - 4 0.5 - 1
10	PA	V0	

Technical data			
Width	Length	Height NS 35/7,5	
6.2	64.6	43	
I _{max} [A]	U _{max} [V]	max. Ø [mm ²]	AWG
38 ¹⁾	800	0.08 - 6	28 - 10
IEC 60947-7-1			
IEC	UL/CUL	CSA	IEC/EN 60079-7
800	600	-	-
32 ¹⁾ / 4	30 / -	-	-
4	-	-	-
28 - 10	28-10	-	-
solid	stranded	Ferrule	
Without / with plastic sleeve			
0.08 - 6	0.08 - 4	0.14 - 4	0.14 - 4 0.5 - 1
10	PA	V0	

Technical data			
Width	Length	Height NS 35/7,5	
8.2	70	50	
I _{max} [A]	U _{max} [V]	max. Ø [mm ²]	AWG
57 ¹⁾	800	0.2 - 10	24 - 8
IEC 60947-7-1			
IEC	UL/CUL	CSA	IEC/EN 60079-7
800	600	600	-
41 ¹⁾ / 6	50 / -	50 / -	-
6	-	-	-
24 - 8	24-8	24-8	-
solid	stranded	Ferrule	
Without / with plastic sleeve			
0.2 - 10	0.2 - 6	0.25 - 6	0.25 - 6 0.25 - 1.5
12	PA	V0	

Ordering data			
Type	I _{max}	Order No.	Pcs. / Pkt.
STS 4-TWIN		3031665	50
STS 4-TWIN BU		3036291	50
STS 4-TWIN OG		3037533	50

Ordering data			
Type	I _{max}	Order No.	Pcs. / Pkt.
STS 4-TWIN/L		3036592	50
STS 4-TWIN/L BU		3036589	50

Ordering data			
Type	I _{max}	Order No.	Pcs. / Pkt.
STS 6-TWIN		3038150	50
STS 6-TWIN BU		3038163	50

Accessories ²⁾			
D-ST5 4		3031704	50
ISH 4/0,5		3002885	50
ISH 4/1,0		3002898	50
FBS 2-6	32 A	3030336	50
FBS 3-6	32 A	3030242	50
FBS 4-6	32 A	3030255	50
FBS 5-6	32 A	3030349	50
FBS 10-6	32 A	3030271	10
FBS 20-6	32 A	3030365	10
ATP-ST 6		3024481	50
PAI-4-N GY		3032871	10
MPS-MT		0201744	10
MPS-IH RD		0201676	10
PS-6		3030996	10
WST 4		3030954	50
SZF 1-0,6X3,5		1204517	10

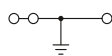
Accessories ²⁾			
D-ST5 4-TWIN/L		3036770	50
ISH 4/0,5		3002885	50
ISH 4/1,0		3002898	50
FBS 2-6	32 A	3030336	50
FBS 3-6	32 A	3030242	50
FBS 4-6	32 A	3030255	50
FBS 5-6	32 A	3030349	50
FBS 10-6	32 A	3030271	10
FBS 20-6	32 A	3030365	10
ATP-ST 6		3024481	50
PAI-4-N GY		3032871	10
MPS-MT		0201744	10
MPS-IH RD		0201676	10
PS-6		3030996	10
WST 4		3030954	50
SZF 1-0,6X3,5		1204517	10

Accessories ²⁾			
D-ST5 6-TWIN		3038202	50
FBS 2-8	41 A	3030284	10
FBS 3-8	41 A	3030297	10
FBS 4-8	41 A	3030307	10
FBS 5-8	41 A	3030310	10
FBS 10-8	41 A	3030323	10
RB ST 6-(2,5/4)		3030860	10
ATP-ST 6		3024481	50
PAI-4-N GY		3032871	10
MPS-MT		0201744	10
MPS-IH RD		0201676	10
PS-8		3031005	10
SZF 2-0,8X4,0		1204520	10

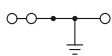
UC-TM 6, UCT-TM 6 or ZB 6 (see Catalog 5)

UC-TM 6, UCT-TM 6 or ZB 6 (see Catalog 5)

UC-TM 8, UCT-TM 8 or ZB 8 (see Catalog 5)



4 (6) mm², ground terminal block,
3 connections



6 (10) mm², ground terminal block,
3 connections

UL US PC ABS KR TUV SUD CCA

Ex: IEC
PTB 07ATEX1027U / IECEx PTB 07.0024U

UL US PC ABS KR TUV SUD ClassNK

Technical data			
Width	Length	Height NS 35/7,5	
6.2	64.5	43	
		max. Ø [mm ²]	AWG
		0.08 - 6	28 - 10
IEC 60947-7-2			
IEC	UL/CUL	CSA	IEC/ EN 60079-7
-	-	-	-
4	-/-	-	4
28 - 10	28-10	28-10	28 - 10
solid	stranded	Ferrule	
		Without / with plastic sleeve	
0.08 - 6	0.08 - 4	0.14 - 4	0.14 - 4 0.5 - 1
10			
PA			
V0			

Technical data			
Width	Length	Height NS 35/7,5	
8.2	70	50	
		max. Ø [mm ²]	AWG
		0.2 - 10	24 - 8
IEC 60947-7-2			
IEC	UL/CUL	CSA	IEC/ EN 60079-7
-	-	-	-
6	-/-	-	-
24 - 8	24-8	24-8	-
solid	stranded	Ferrule	
		Without / with plastic sleeve	
0.2 - 10	0.2 - 6	0.25 - 6	0.25 - 6 0.25 - 1.5
12			
PA			
V0			

Ordering data		
Type	Order No.	Pcs. / Pkt.
STS 4-TWIN-PE	3031678	50

Ordering data		
Type	Order No.	Pcs. / Pkt.
STS 6-TWIN-PE	3038176	50

Accessories ¹⁾		
D-ST5 4	3031704	50
ISH 4/0,5	3002885	50
ISH 4/1,0	3002898	50
ATP-ST 6	3024481	50
WST 4	3030954	50
SZF 1-0,6X3,5	1204517	10

Accessories ¹⁾		
D-ST5 6-TWIN	3038202	50
FBS 2-8	3030284	10
FBS 3-8	3030297	10
FBS 4-8	3030307	10
FBS 5-8	3030310	10
FBS 10-8	3030323	10
ATP-ST 6	3024481	50
PAI-4-N GY	3032871	10
MPS-MT	0201744	10
MPS-IH RD	0201676	10
PS-8	3031005	10
SZF 2-0,8X4,0	1204520	10

UC-TM 6, UCT-TM 6 or ZB 6
(see Catalog 5)

UC-TM 8, UCT-TM 8 or ZB 8
(see Catalog 5)

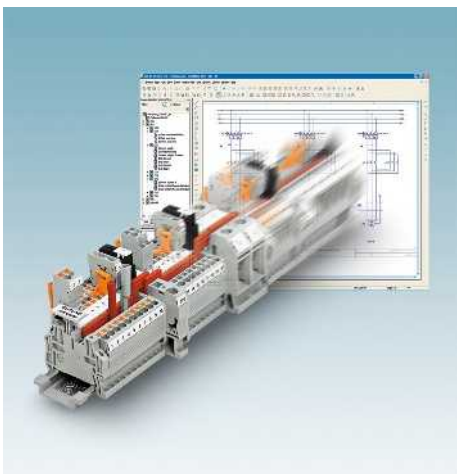
ST spring-cage connection terminal blocks

Feed-through terminal blocks with 4 connections, in desk design STS ...-QUATTRO



- These compact four-conductor terminal blocks are the same shape as the feed-through and three-conductor terminal blocks with the same cross section
- Ground terminal blocks of the same shape are available
- Contact is made free from mechanical and electrical errors by simply snapping onto the DIN rail
- All the requirements of standard IEC 60947-7-2 are met

CLIP PROJECT Planning enables the quick and convenient planning and configuration of fault-free terminal strips.



Notes:
For current carrying capacity of DIN rails, see page 716.
1) The total current of all connected conductors must not exceed the max. load current.
2) For installation notes on the use of accessories for Ex e applications, see page 710.



2.5 (4) mm², 28 A, feed-through terminal block, 4 connections

Ex:

 PTB 07ATEX1027U / IECEx PTB 07.0024U

Dimensions		[mm]	
Max. electrical data			
Rated data			
Rated voltage	[V]	800	600
Nominal current / cross section	[A] / [mm ²]	24 ¹⁾ / 2.5	20 / -
Rated cross section	[mm ²]	2.5	-
Cross section range	AWG	28 - 12	28-12
Connection capacity			
1 conductor	[mm ²]	0.08 - 4	0.08 - 2.5
Two stranded conductors with a TWIN ferrule	[mm ²]		
General data			
Stripping length	[mm]	10	
Insulating material		PA	
Inflammability class according to UL 94		V0	

Technical data			
Width	Length	Height NS 35/7,5	
5.2	51	43	
I _{max} [A]	U _{max} [V]	max. Ø [mm ²]	AWG
28 ¹⁾	800	0.08 - 4	28 - 12
IEC 60947-7-1			
IEC	UL/CUL	CSA	IEC/EN 60079-7
800	600	600	550
24 ¹⁾ / 2.5	20 / -	20 / -	20.5 / 2.5 // 25 / 4
Rated cross section	[mm ²]	2.5	2.5
Cross section range	AWG	28 - 12	28 - 12
Connection capacity			
solid	stranded	Ferrule	
		Without / with plastic sleeve	
0.08 - 4	0.08 - 2.5	0.14 - 2.5	0.14 - 2.5
			0.5
General data			
Stripping length	[mm]	10	
Insulating material		PA	
Inflammability class according to UL 94		V0	

Description	Color
Terminal block , for mounting on NS 35...	gray
	blue
	orange
	red
Ground terminal block , for mounting on NS 35...	green-yellow

Cover , width 2.2 mm	gray	
Insulation stop sleeve , cross section range:	0.08 - 0.2 mm ²	white
	0.25 - 0.5 mm ²	gray
	0.75 - 1 mm ²	black
Partition plate , 2 mm width	gray	
Warning cover , for actuation shafts, 5-pos.	yellow	

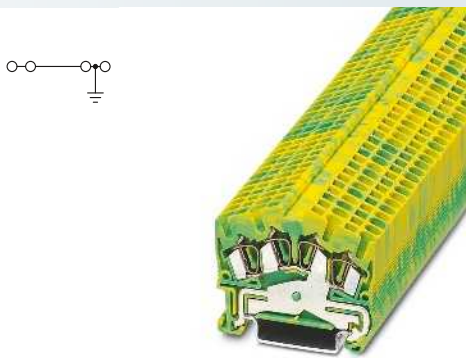
Screwdriver	SZF 1-0,6X3,5
Center groove labeling	UC-TM 5, UCT-TM 5 or ZB 5 (see Catalog 5)

Ordering data		
Type	Order No.	Pcs. / Pkt.
STS 2,5-QUATTRO	3031746	50
STS 2,5-QUATTRO BU	3036288	50
STS 2,5-QUATTRO OG	3037575	50
STS 2,5-QUATTRO RD	3037562	50

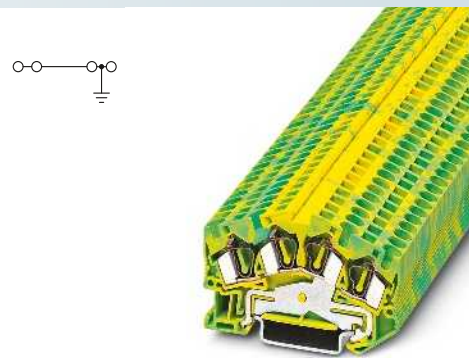
Accessories ²⁾		
Type	Order No.	Pcs. / Pkt.
D-ST 2,5	3031762	50
ISH 2,5/0,2	3002843	50
ISH 2,5/0,5	3002856	50
ISH 2,5/1,0	3002869	50
ATP-QTC	3206209	50
WST 2,5	3030941	50
SZF 1-0,6X3,5	1204517	10
UC-TM 5, UCT-TM 5 or ZB 5 (see Catalog 5)		



4 (6) mm², 38 A, feed-through terminal block, 4 connections



2.5 (4) mm², ground terminal block, 4 connections



4 (6) mm², ground terminal block, 4 connections

UL US PC ABS BL KFT Lloyd's Register ClassNK CCA

Ex: Ex IEC
PTB 07ATEX1027U / IECEx PTB 07.0024U

UL US PC ABS VDE BL KFT Lloyd's Register CCA CB

Ex: Ex IEC
PTB 07ATEX1027U / IECEx PTB 07.0024U

UL US PC ABS BL KFT Lloyd's Register ClassNK CCA

Ex: Ex IEC
PTB 07ATEX1027U / IECEx PTB 07.0024U

Technical data			
Width	Length	Height NS 35/7,5	
6.2	64.5	43	
I _{max} [A]	U _{max} [V]	max. Ø [mm ²]	AWG
38 ¹⁾	800	0.08 - 6	28 - 10
IEC 60947-7-1			
IEC	UL/CUL	CSA	IEC/ EN 60079-7
800	600	600	550
32 ¹⁾ / 4	30 / -	30 / -	28.5 / 4 // 35 / 6
4	-	-	4
28 - 10	28-10	28-10	28 - 10
solid	stranded	Ferrule	
Without / with plastic sleeve			
0.08 - 6	0.08 - 4	0.14 - 4	0.14 - 4 0.5 - 1
10	PA	V0	

Technical data			
Width	Length	Height NS 35/7,5	
5.2	51	43	
I _{max} [A]	U _{max} [V]	max. Ø [mm ²]	AWG
-	-	0.08 - 4	28 - 12
IEC 60947-7-2			
IEC	UL/CUL	CSA	IEC/ EN 60079-7
-	-	-	-
-	- / -	-	-
2.5	-	-	2.5
28 - 12	28-12	28-12	28 - 12
solid	stranded	Ferrule	
Without / with plastic sleeve			
0.08 - 4	0.08 - 2.5	0.14 - 2.5	0.14 - 2.5 0.5
10	PA	V0	

Technical data			
Width	Length	Height NS 35/7,5	
6.2	64.5	43	
I _{max} [A]	U _{max} [V]	max. Ø [mm ²]	AWG
-	-	0.08 - 6	28 - 10
IEC 60947-7-2			
IEC	UL/CUL	CSA	IEC/ EN 60079-7
-	-	-	-
-	- / -	-	-
4	-	-	4
28 - 10	28-10	28-10	28 - 10
solid	stranded	Ferrule	
Without / with plastic sleeve			
0.08 - 6	0.08 - 4	0.14 - 4	0.14 - 4 0.5 - 1
10	PA	V0	

Ordering data		
Type	Order No.	Pcs. / Pkt.
STS 4-QUATTRO	3031681	50
STS 4-QUATTRO BU	3036301	50
STS 4-QUATTRO OG	3037546	50
STS 4-QUATTRO RD	3037559	50

Ordering data		
Type	Order No.	Pcs. / Pkt.
STS 2,5-QUATTRO-PE	3031759	50

Ordering data		
Type	Order No.	Pcs. / Pkt.
STS 4-QUATTRO-PE	3031694	50

Accessories ²⁾		
D-ST5 4	3031704	50
ISH 4/0,5	3002885	50
ISH 4/1,0	3002898	50
ATP-ST 6	3024481	50
WST 4	3030954	50
SZF 1-0,6X3,5	1204517	10

Accessories ²⁾		
D-ST5 2,5	3031762	50
ISH 2,5/0,2	3002843	50
ISH 2,5/0,5	3002856	50
ISH 2,5/1,0	3002869	50
ATP-QTC	3206209	50
WST 2,5	3030941	50
SZF 1-0,6X3,5	1204517	10

Accessories ²⁾		
D-ST5 4	3031704	50
ISH 4/0,5	3002885	50
ISH 4/1,0	3002898	50
ATP-ST 6	3024481	50
WST 4	3030954	50
SZF 1-0,6X3,5	1204517	10

UC-TM 6, UCT-TM 6 or ZB 6 (see Catalog 5)

UC-TM 5, UCT-TM 5 or ZB 5 (see Catalog 5)

UC-TM 6, UCT-TM 6 or ZB 6 (see Catalog 5)

ST spring-cage connection terminal blocks

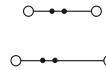
STTBS ... desk-design double-level terminal blocks



The STTBS ... desk-design compact double-level terminal blocks are characterized by:

- Two bridge shafts on both levels for all potential distribution tasks
- Two large-surface labeling options
- The different heights of the marking grooves makes it easy to see to which level the labeling belongs
- Potential bridging of levels using the **FBS-PV** vertical potential bridge, see figure below

Notes:
For current carrying capacity of DIN rails, see page 716.
1) The total current of all connected conductors must not exceed the max. load current.
2) For installation notes on the use of accessories for Ex e applications, see page 710.



2.5 (4) mm², 26 A, double-level terminal block



Ex: Ex I, Ex II
PTB 07ATEX1027U / IECEx PTB 07.0024U

Dimensions		[mm]	
Max. electrical data			
Rated data			
Rated voltage	[V]	500	600
Nominal current / cross section	[A] / [mm ²]	22 / 2.5	20 / -
Rated cross section	[mm ²]	2.5	-
Cross section range	AWG	28 - 12	28-12
Connection capacity			
1 conductor	[mm ²]	0.08 - 4	0.08 - 2.5
Two stranded conductors with a TWIN ferrule	[mm ²]		0.14 - 2.5
General data			
Stripping length	[mm]	10	
Insulating material		PA	
Inflammability class according to UL 94		V0	

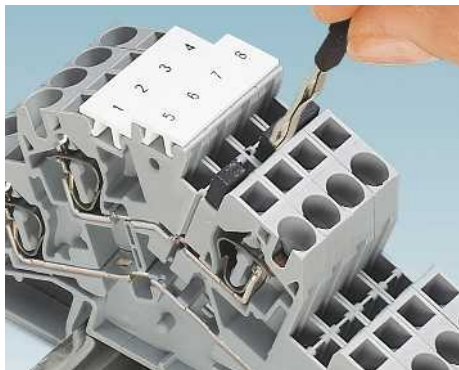
Technical data				
Width	Length	Height NS 35/7,5		
5.2	78	55		
I _{max} [A]	U _{max} [V]	max. Ø [mm ²]	AWG	
26	500	0.08 - 4	28 - 12	
IEC 60947-7-1				
IEC	UL/CUL	CSA	IEC/EN 60079-7	
			Without / with plastic sleeve	
			0.14 - 2.5 0.14 - 2.5	
			0.5	

Description	No. of pos.	Color
Terminal block, for mounting on NS 35...		gray
Terminal block, with equipotential bonding between the levels, for mounting on NS 35... ¹⁾		blue
Ground terminal block, for mounting on NS 35...		green-yellow

Ordering data			
Type	I _{max}	Order No.	Pcs. / Pkt.
STTBS 2,5		3038464	50
STTBS 2,5 BU		3038493	50
STTBS 2,5-PV		3038477	50
STTBS 2,5-PV BU		3035289	50

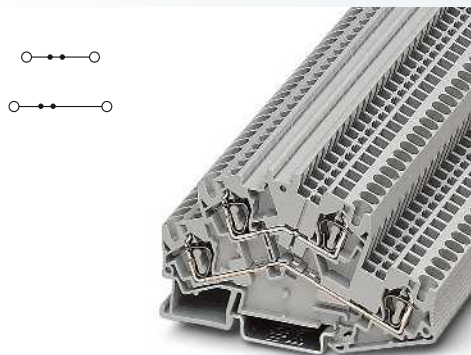
Cover, width 2.2 mm		gray
Insulation stop sleeve, cross section range:		
0.08 - 0.2 mm ²		white
0.25 - 0.5 mm ²		gray
0.75 - 1 mm ²		black
Plug-in bridge		
	2	red
	3	red
	4	red
	5	red
	10	red
	20	red

Accessories ²⁾			
D-STTBS 2,5		3038503	50
ISH 2,5/0,2		3002843	50
ISH 2,5/0,5		3002856	50
ISH 2,5/1,0		3002869	50
FBS 2-5	22 A	3030161	50
FBS 3-5	22 A	3030174	50
FBS 4-5	22 A	3030187	50
FBS 5-5	22 A	3030190	50
FBS 10-5	22 A	3030213	10
FBS 20-5	22 A	3030226	10

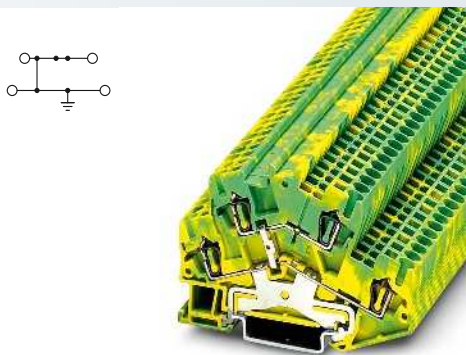


Vertical potential bridge, to connect the upper and lower level		black
Test adapter, 4-mm test socket hole		gray
Test plug metal part, 2.3 mm Ø		
Insulating sleeve, for MPS metal part		red
Modular test plug, for the individual assembly of test plug strips		red
Warning cover, for actuation shafts, 5-pos.		yellow
Screwdriver		
Center groove labeling		

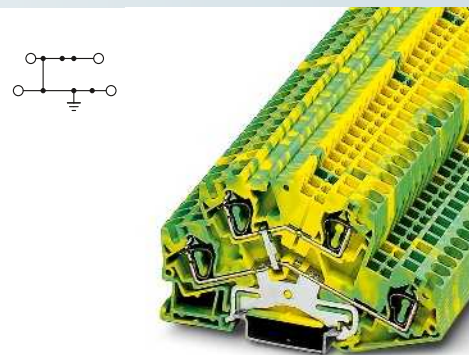
FBS-PV		3032185	50
PAI-4-N GY		3032871	10
MPS-MT		0201744	10
MPS-IH RD		0201676	10
PS-5		3030983	10
WST 2,5		3030941	50
SZF 1-0,6X3,5		1204517	10
UC-TM 5, UCT-TM 5 or ZB 5 (see Catalog 5)			



4 (6) mm², 34 A, double-level terminal block



2.5 (4) mm², double-level ground terminal block



4 (6) mm², double-level ground terminal block



PTB 07ATEX1027U / IECEx PTB 07.0024U

Technical data			
Width	Length	Height NS 35/7,5	
6.2	92.4	55	
I _{max} [A]	U _{max} [V]	max. Ø [mm ²]	AWG
34	500	0.08 - 6	28 - 10
IEC 60947-7-1			
IEC	UL/CUL	CSA	IEC/EN 60079-7
500	600	-	-
28 / 4	30 / -	-	-
4	-	-	-
28 - 10	28-10	-	-
solid	stranded	Ferrule	
		Without / with plastic sleeve	
0.08 - 6	0.08 - 4	0.14 - 4	0.14 - 4 0.5 - 1
10	PA	V0	

Technical data			
Width	Length	Height NS 35/7,5	
5.2	78	55	
I _{max} [A]	U _{max} [V]	max. Ø [mm ²]	AWG
2.5	500	0.08 - 4	28 - 12
IEC 60947-7-2			
IEC	UL/CUL	CSA	IEC/EN 60079-7
-	-	-	-
-	- / -	-	-
2.5	-	-	2.5
28 - 12	28-12	28-12	28 - 12
solid	stranded	Ferrule	
		Without / with plastic sleeve	
0.08 - 4	0.08 - 2.5	0.14 - 2.5	0.14 - 2.5 0.5
10	PA	V0	

Technical data			
Width	Length	Height NS 35/7,5	
6.2	92.4	55	
I _{max} [A]	U _{max} [V]	max. Ø [mm ²]	AWG
34	500	0.08 - 6	28 - 10
IEC 60947-7-2			
IEC	UL/CUL	CSA	IEC/EN 60079-7
-	-	-	-
-	- / -	-	-
4	-	-	-
28 - 10	28-10	28-10	-
solid	stranded	Ferrule	
		Without / with plastic sleeve	
0.08 - 6	0.08 - 4	0.14 - 4	0.14 - 4 0.5 - 1
10	PA	V0	

Ordering data			
Type	I _{max}	Order No.	Pcs. / Pkt.
STTBS 4		3035056	50
STTBS 4 BU		3035069	50
STTBS 4-PV		3035085	50
STTBS 2,5-PE		3038480	50

Ordering data			
Type	I _{max}	Order No.	Pcs. / Pkt.
STTBS 4		3035056	50
STTBS 4 BU		3035069	50
STTBS 4-PV		3035085	50
STTBS 2,5-PE		3038480	50

Ordering data			
Type	I _{max}	Order No.	Pcs. / Pkt.
STTBS 4		3035056	50
STTBS 4 BU		3035069	50
STTBS 4-PV		3035085	50
STTBS 2,5-PE		3038480	50

Accessories ²⁾			
D-STTBS 4		3035098	50
ISH 4/0,5		3002885	50
ISH 4/1,0		3002898	50
FBS 2-6	28 A	3030336	50
FBS 3-6	28 A	3030242	50
FBS 4-6	28 A	3030255	50
FBS 5-6	28 A	3030349	50
FBS 10-6	28 A	3030271	10
FBS 20-6	28 A	3030365	10
FBS-PV		3032185	50
PAI-4-N GY		3032871	10
MPS-MT		0201744	10
MPS-IH RD		0201676	10
PS-6		3030996	10
WST 4		3030954	50
SZF 1-0,6X3,5		1204517	10

Accessories ²⁾			
D-STTBS 2,5		3038503	50
ISH 2,5/0,2		3002843	50
ISH 2,5/0,5		3002856	50
ISH 2,5/1,0		3002869	50
FBS 2-5		3030161	50
FBS 3-5		3030174	50
FBS 4-5		3030187	50
FBS 5-5		3030190	50
FBS 10-5		3030213	10
FBS 20-5		3030226	10
PAI-4-N GY		3032871	10
MPS-MT		0201744	10
MPS-IH RD		0201676	10
PS-5		3030983	10
WST 2,5		3030941	50
SZF 1-0,6X3,5		1204517	10

Accessories ²⁾			
D-STTBS 4		3035098	50
ISH 4/0,5		3002885	50
ISH 4/1,0		3002898	50
FBS 2-6		3030336	50
FBS 3-6		3030242	50
FBS 4-6		3030255	50
FBS 5-6		3030349	50
FBS 10-6		3030271	10
FBS 20-6		3030365	10
PAI-4-N GY		3032871	10
MPS-MT		0201744	10
MPS-IH RD		0201676	10
PS-6		3030996	10
WST 4		3030954	50
SZF 1-0,6X3,5		1204517	10

UC-TM 6, UCT-TM 6 or ZB 6 (see Catalog 5)

UC-TM 5, UCT-TM 5 or ZB 5 (see Catalog 5)

UC-TM 6, UCT-TM 6 or ZB 6 (see Catalog 5)

ST spring-cage connection terminal blocks

STS 2,5 ... / STTBS 4... desk-design knife disconnect and disconnect terminal blocks



- Same shape and pitch as the feed-through terminal blocks
- Knife disconnect terminal block with a current carrying capacity of 20 A
- Compact design
- Test connection parallel to disconnect point for test plugs with a 2.3 mm diameter
- For use in small terminal boxes
- For disconnect terminal block with universal disconnect zone for accommodating isolating plugs, feed-through connectors, component plugs, and fuse plugs, see page 483

Notes:
1) Observe max. load current.
2) Observe max. load current, depending on the power dissipation of the components. Max. 0.5 W with single arrangement.
3) For max. power dissipation, see page 724.
4) Current and voltage are determined by the plug used.
5) Lower level
6) Also see page 480.



2.5 (4) mm², 20 A, disconnect terminal block

Dimensions	
	[mm]
Max. electrical data	
Rated data	
Rated voltage	[V]
Nominal current / cross section	[A] / [mm ²]
Rated cross section	[mm ²]
Cross section range	AWG
Connection capacity	
1 conductor	[mm ²]
Two stranded conductors with a TWIN ferrule	[mm ²]
General data	
Stripping length	[mm]
Insulating material	
Inflammability class according to UL 94	

Technical data				
Width	Length	Height NS 35/7,5		
5.2	51	43		
I _{max} [A]	U _{max} [V]	max. Ø [mm ²]	AWG	
20 ¹⁾	400 ⁴⁾	0.08 - 4	28 - 12	
IEC 60947-7-1				
IEC	UL/CUL	CSA	IEC/EN 60079-7	
400 ⁴⁾	300	300	-	
20 ²⁾	16 / -	16 / -	-	
2.5	-	-	-	
28 - 12	28-12	28-12	-	
solid		stranded		Ferrule
				Without / with plastic sleeve
0.08 - 4	0.08 - 2.5	0.14 - 2.5	0.14 - 2.5	
				0.5
10				
PA				
V0				

Description	No. of pos.	Color
Disconnect terminal block, for mounting on NS 35...		gray
Knife disconnect terminal block, for mounting on NS 35...		gray
		blue

Ordering data			
Type	I _{max}	Order No.	Pcs. / Pkt.
STS 2,5-TG		3037009	50

Cover, width 2.2 mm		gray
Insulation stop sleeve, cross section range:		
0.08 - 0.2 mm ²		white
0.25 - 0.5 mm ²		gray
0.75 - 1 mm ²		black
Plug-in bridge		
	2	red
	3	red
	4	red
	5	red
	10	red
	20	red
Switching lock, plug-in ⁶⁾		white
Test adapter, 4-mm test socket hole		gray
Test plug metal part, 2.3 mm Ø		
Insulating sleeve, for MPS metal part		red
Modular test plug, for the individual assembly of test plug strips		red
Isolating plug ¹⁾		orange
Feed-through connector ¹⁾		gray
Component plug, labeled with ZBF 5 or UC-TMF 5 ²⁾		gray
Fuse plug, width 6.2 mm ³⁾		black
With LED for 12-30 V DC, 0.31-0.95 mA		black
For 30-60 V AC/DC, 0.40-0.86 mA		black
For 110-250 V AC/DC, 0.41-0.96 mA		black
Screwdriver		

Accessories			
D-ST5 2,5		3031762	50
ISH 2,5/0,2		3002843	50
ISH 2,5/0,5		3002856	50
ISH 2,5/1,0		3002869	50
FBS 2-5	24 A	3030161	50
FBS 3-5	24 A	3030174	50
FBS 4-5	24 A	3030187	50
FBS 5-5	24 A	3030190	50
FBS 10-5	24 A	3030213	10
FBS 20-5	24 A	3030226	10
PAI-4-N GY		3032871	10
MPS-MT		0201744	10
MPS-IH RD		0201676	10
PS-5		3030983	10
P-DI		3036783	50
P-FIX		3038956	50
P-CO		3036796	10
P-FU 5X20		3036806	10
P-FU 5X20 LED 24		3036819	10
P-FU 5X20 LED 60		3036822	10
P-FU 5X20 LA 250		3036835	10
SZF 1-0,6X3,5		1204517	10

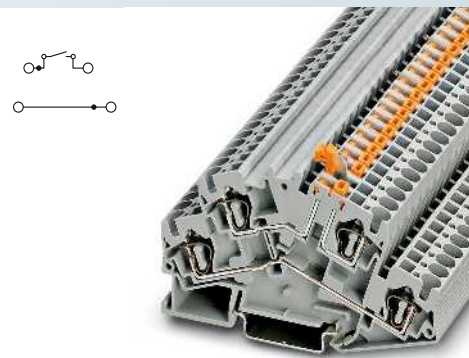
Center groove labeling	UC-TM 5, UCT-TM 5 or ZB 5 (see Catalog 5)
------------------------	---



2.5 (4) mm², 20 A, knife disconnect terminal block



4 (6) mm², 20 A, double-level terminal block with disconnect zone



4 (6) mm², 20 A, double-level knife disconnect terminal block

UL, ABS, ClassNK

UL, PC

UL, PC

Technical data			
Width	Length	Height NS 35/7,5	
5.2	51	43	
I_{max} [A]	U_{max} [V]	max. Ø [mm ²]	AWG
20	400	0.08 - 4	28 - 12
IEC 60947-7-1			
IEC	UL/CUL	CSA	IEC/EN 60079-7
400	300	300	-
20 / 2.5	16 / -	16 / -	-
2.5	-	-	-
28 - 12	28-12	28-12	-
solid	stranded	Ferrule Without / with plastic sleeve	
0.08 - 4	0.08 - 2.5	0.14 - 2.5	0.14 - 2.5 0.5
10	PA	V0	

Technical data			
Width	Length	Height NS 35/7,5	
6.2	92.4	55	
I_{max} [A]	U_{max} [V]	max. Ø [mm ²]	AWG
34 ⁵⁾	500 ⁴⁾	0.08 - 6	28 - 10
IEC 60947-7-1			
IEC	UL/CUL	CSA	IEC/EN 60079-7
500 ⁴⁾	600	-	-
20 ⁴⁾ / 2.5	16 / -	-	-
4	-	-	-
28 - 10	28-10	-	-
solid	stranded	Ferrule Without / with plastic sleeve	
0.08 - 6	0.08 - 4	0.14 - 4	0.14 - 4 0.5 - 1
10	PA	V0	

Technical data			
Width	Length	Height NS 35/7,5	
6.2	92.4	55	
I_{max} [A]	U_{max} [V]	max. Ø [mm ²]	AWG
34 ⁵⁾	500	0.08 - 6	28 - 10
IEC 60947-7-1			
IEC	UL/CUL	CSA	IEC/EN 60079-7
500	600	-	-
20 / 2.5	16 / -	-	-
4	-	-	-
28 - 10	28-10	-	-
solid	stranded	Ferrule Without / with plastic sleeve	
0.08 - 6	0.08 - 4	0.14 - 4	0.14 - 4 0.5 - 1
10	PA	V0	

Ordering data			
Type	I_{max}	Order No.	Pcs. / Pkt.
STS 2,5-MT		3036990	50
STS 2,5-MT BU		3035425	50

Ordering data			
Type	I_{max}	Order No.	Pcs. / Pkt.
STTBS 4-TG		3035483	50

Ordering data			
Type	I_{max}	Order No.	Pcs. / Pkt.
STTBS 4-MT		3035470	50
STTBS 4-MT BU		3035522	50

Accessories			
D-STBS 2,5		3031762	50
ISH 2,5/0,2		3002843	50
ISH 2,5/0,5		3002856	50
ISH 2,5/1,0		3002869	50
FBS 2-5	24 A	3030161	50
FBS 3-5	24 A	3030174	50
FBS 4-5	24 A	3030187	50
FBS 5-5	24 A	3030190	50
FBS 10-5	24 A	3030213	10
FBS 20-5	24 A	3030226	10
S-MT		3247954	50
PAI-4-N GY		3032871	10
MPS-MT		0201744	10
MPS-IH RD		0201676	10
PS-5		3030983	10

Accessories			
D-STTBS 4-MT		3035548	50
ISH 4/0,5		3002885	50
ISH 4/0,5		3002885	50
FBS 2-6	28 A	3030336	50
FBS 3-6	28 A	3030242	50
FBS 4-6	28 A	3030255	50
FBS 5-6	28 A	3030349	50
FBS 10-6	28 A	3030271	10
FBS 20-6	28 A	3030365	10
PAI-4-N GY		3032871	10
MPS-MT		0201744	10
MPS-IH RD		0201676	10
PS-6		3030996	10
P-DI		3036783	50
P-FIX		3038956	50
P-CO		3036796	10
P-FU 5X20		3036806	10
P-FU 5X20 LED 24		3036819	10
P-FU 5X20 LED 60		3036822	10
P-FU 5X20 LA 250		3036835	10
SZF 1-0,6X3,5		1204517	10

Accessories			
D-STTBS 4-MT		3035548	50
ISH 4/1,0		3002898	50
ISH 4/1,0		3002898	50
FBS 2-6	28 A	3030336	50
FBS 3-6	28 A	3030242	50
FBS 4-6	28 A	3030255	50
FBS 5-6	28 A	3030349	50
FBS 10-6	28 A	3030271	10
FBS 20-6	28 A	3030365	10
S-MT		3247954	50
PAI-4-N GY		3032871	10
MPS-MT		0201744	10
MPS-IH RD		0201676	10
PS-6		3030996	10
SZF 1-0,6X3,5		1204517	10

UC-TM 5, UCT-TM 5 or ZB 5 (see Catalog 5)

UC-TM 6, UCT-TM 6 or ZB 6 (see Catalog 5)

UC-TM 6, UCT-TM 6 or ZB 6 (see Catalog 5)

ST spring-cage connection terminal blocks

STI ... installation terminal blocks



The STI installation terminal blocks are characterized by the system features of the CLIPLINE complete system and the following features:

- Compact design tailored to installation distributor
- Each terminal point can be clearly labeled and easily recognized in each terminal block mounting position
- Compatible with all Phoenix Contact installation terminal blocks

Terminal strip service

We manufacture fully pre-assembled terminal strips for fitting straight in the installation distributor. This simplifies installation, saves time, and cuts costs.

Notes:

Assembly instructions:

For secure fastening of the neutral busbar, supports must be set at the beginning and end of each terminal strip as well as every 20 cm on longer terminal strips.



2.5 (4) mm², 32 A, feed-through terminal block



Dimensions		[mm]
Max. electrical data		
Rated data		
Rated voltage	[V]	400
Nominal current / cross section	[A] / [mm ²]	24 / 2.5
Rated cross section	[mm ²]	2.5
Cross section range	AWG	28 - 12
Connection capacity		
1 conductor	[mm ²]	0.08 - 4
Two stranded conductors with a TWIN ferrule	[mm ²]	0.08 - 4
General data		
Stripping length	[mm]	10
Insulating material		PA
Inflammability class according to UL 94		V0

Technical data				
Width	Length	Height NS 35/7,5		
5.2	59.5	43		
I _{max} [A]	U _{max} [V]	max. Ø [mm ²]	AWG	
32	400	0.08 - 4	28 - 12	
IEC 60947-7-1				
IEC	UL/CUL	CSA	IEC/EN 60079-7	
Rated voltage				
Nominal current / cross section		Ferrule		
		Without / with plastic sleeve		
		0.14 - 2.5 0.14 - 2.5		
		0.5		

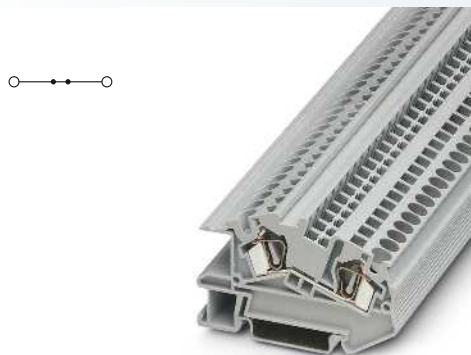
Description	No. of pos.	Color
Terminal block, for mounting on NS 35...		gray blue

Ordering data		
Type	Order No.	Pcs. / Pkt.
STI 2,5	3031924	50
STI 2,5 BU	3036217	50

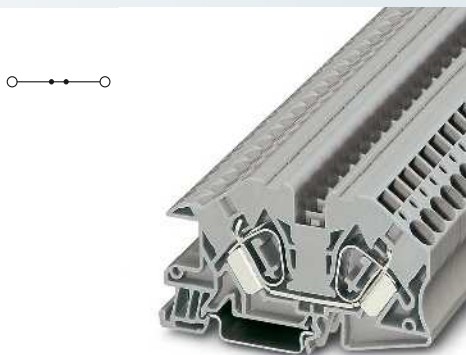
Cover, width 2.2 mm		gray
Cover, width 2 mm		gray
Insulation stop sleeve, cross section range:		
0.08 - 0.2 mm ²		white
0.25 - 0.5 mm ²		gray
0.75 - 1 mm ²		black
Plug-in bridge		
	2	red
	3	red
	4	red
	5	red
	10	red
	20	red
Test adapter, 4-mm test socket hole		gray
Test plug metal part, 2.3 mm Ø		
Insulating sleeve, for MPS metal part		red
Modular test plug, for the individual assembly of test plug strips		red
Support, blue insulating material, for holding the neutral busbar, must be set every 20 cm, 2 mm wide		blue
Warning cover, for actuation shafts, 5-pos.		yellow
Screwdriver		

Accessories		
D-STI 2,5	3030569	50
ISH 2,5/0,2	3002843	50
ISH 2,5/0,5	3002856	50
ISH 2,5/1,0	3002869	50
FBS 2-5	3030161	50
FBS 3-5	3030174	50
FBS 4-5	3030187	50
FBS 5-5	3030190	50
FBS 10-5	3030213	10
FBS 20-5	3030226	10
PAI-4-N GY	3032871	10
MPS-MT	0201744	10
MPS-IH RD	0201676	10
PS-5	3030983	10
AB-STI	3030828	50
WST 2,5	3030941	50
SZF 1-0,6X3,5	1204517	10

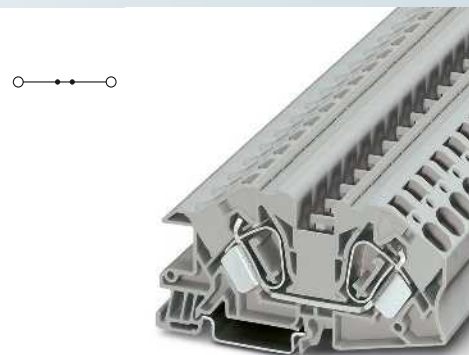
Center groove labeling	UC-TM 5, UCT-TM 5 or ZB 5 (see Catalog 5)
Center and lateral groove labeling	UC-TMF 5, UCT-TMF 5 or ZBF 5 (see Catalog 5)



4 (6) mm², 41 A, feed-through terminal block



10 (16) mm², 57 A, feed-through terminal block



16 (25) mm², 76 A, feed-through terminal block



Technical data			
Width	Length	Height NS 35/7,5	
6.2	66	43	
I_{max} [A]	U_{max} [V]	max. Ø [mm ²]	AWG
41	400	0.08 - 6	28 - 10
IEC 60947-7-1			
IEC	UL/CUL	CSA	IEC/EN 60079-7
400	-	-	-
32 / 4	- / -	-	-
4	-	-	-
28 - 10	-	-	-
solid	stranded	Ferrule Without / with plastic sleeve	
0.08 - 6	0.08 - 4	0.14 - 4	0.14 - 4 0.5 - 1
10	PA	V0	

Technical data			
Width	Length	Height NS 35/7,5	
10	87	49	
I_{max} [A]	U_{max} [V]	max. Ø [mm ²]	AWG
57	400	0.2 - 16	24 - 6
IEC 60947-7-1			
IEC	UL/CUL	CSA	IEC/EN 60079-7
400	-	-	-
57 / 10	- / -	-	-
10	-	-	-
24 - 6	-	-	-
solid	stranded	Ferrule Without / with plastic sleeve	
0.2 - 16	0.2 - 10	0.25 - 10	0.25 - 10 1.5 - 2.5
18	PA	V0	

Technical data			
Width	Length	Height NS 35/7,5	
12	95	49	
I_{max} [A]	U_{max} [V]	max. Ø [mm ²]	AWG
76	400	0.2 - 25	24 - 4
IEC 60947-7-1			
IEC	UL/CUL	CSA	IEC/EN 60079-7
400	-	-	-
76 / 16	- / -	-	-
16	-	-	-
24 - 4	-	-	-
solid	stranded	Ferrule Without / with plastic sleeve	
0.2 - 25	0.2 - 16	0.25 - 16	0.25 - 16 1.5 - 4
18	PA	V0	

Ordering data			
Type	I_{max}	Order No.	Pcs. / Pkt.
STI 4		3031953	50
STI 4 BU		3036220	50

Ordering data			
Type	I_{max}	Order No.	Pcs. / Pkt.
STI 10		3038215	25
STI 10 BU		3038228	25

Ordering data			
Type	I_{max}	Order No.	Pcs. / Pkt.
STI 16		3038257	25
STI 16 BU		3038260	25

Accessories			
D-STI 4		3030640	50
ISH 4/0,5		3002885	50
ISH 4/1,0		3002898	50
FBS 2-6	32 A	3030336	50
FBS 3-6	32 A	3030242	50
FBS 4-6	32 A	3030255	50
FBS 5-6	32 A	3030349	50
FBS 10-6	32 A	3030271	10
FBS 20-6	32 A	3030365	10
PAI-4-N GY		3032871	10
MPS-MT		0201744	10
MPS-IH RD		0201676	10
PS-6		3030996	10
AB-STI		3030828	50
WST 4		3030954	50
SZF 1-0,6X3,5		1204517	10

Accessories			
D-STI 10/16		3038309	25
FBS 2-10	57 A	3005947	10
MPS-MT		0201744	10
MPS-IH RD		0201676	10
AB-STI 16/10		3037669	10
WST 10/35		3030006	25
SZF 2-0,8X4,0		1204520	10

Accessories			
D-STI 10/16		3038309	25
FBS 2-12	76 A	3005950	10
MPS-MT		0201744	10
MPS-IH RD		0201676	10
AB-STI 16/10		3037669	10
WST 10/35		3030006	25
SZF 3-1,0X5,5		1206612	10

UC-TM 6, UCT-TM 6 or ZB 6
(see Catalog 5)
UC-TMF 6, UCT-TMF 6 or ZBF 6
(see Catalog 5)

UC-TM 10, UCT-TM 10 or ZB 10
(see Catalog 5)
UC-TMF 10, UCT-TMF 10 or ZBF 10
(see Catalog 5)

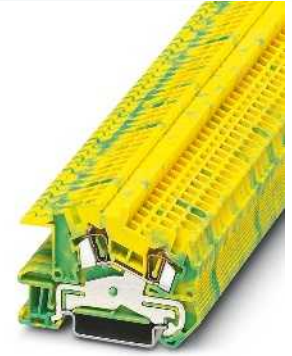
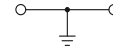
UC-TM 12, UCT-TM 12 or ZB 12
(see Catalog 5)
UC-TMF 12, UCT-TMF 12 or ZBF 12
(see Catalog 5)

ST spring-cage connection terminal blocks

STI ...-PE installation ground terminal blocks

- Same shape and pitch as the feed-through terminal blocks
- Contact is made free from mechanical and electrical errors by simply snapping onto the DIN rail
- The green-yellow housing clearly indicates the ground conductor function of the terminal block

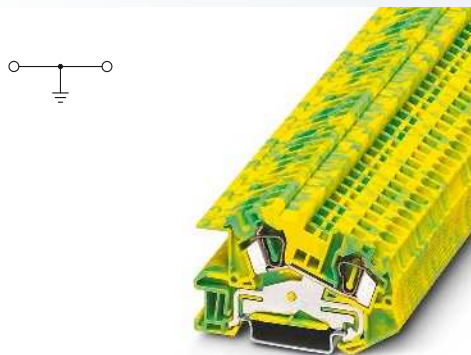
Notes:
For current carrying capacity of DIN rails, see page 716.
Assembly instructions:
For secure fastening of the neutral busbar, supports must be set at the beginning and end of each terminal strip as well as every 20 cm on longer terminal strips.



2.5 (4) mm², ground terminal block



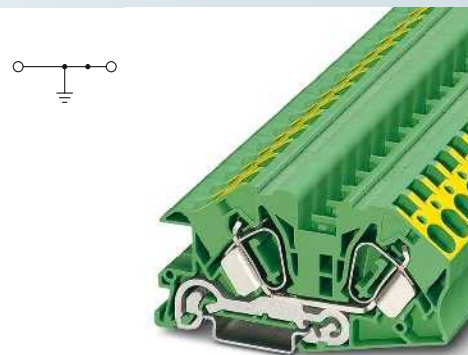
			Technical data			
Dimensions		[mm]	Width	Length	Height NS 35/7,5	
			5.2	59.5	43	
Max. electrical data					max. Ø [mm ²]	AWG
					0.08 - 4	28 - 12
Rated data			IEC 60947-7-2			
			IEC	UL/CUL	CSA	IEC/EN 60079-7
Rated voltage		[V]	-	-	-	-
Nominal current / cross section		[A] / [mm ²]	-	- / -	-	-
Rated cross section		[mm ²]	2.5	-	-	-
Cross section range		AWG	28 - 12	28-12	28-12	-
Connection capacity			solid	stranded	Ferrule	
					Without / with plastic sleeve	
1 conductor		[mm ²]	0.08 - 4	0.08 - 4	0.14 - 2.5	0.14 - 2.5
Two stranded conductors with a TWIN ferrule		[mm ²]				0.5
General data						
Stripping length		[mm]	10			
Insulating material			PA			
Inflammability class according to UL 94			V0			
			Ordering data			
Description	No. of pos.	Color	Type	Order No.	Pcs. / Pkt.	
Ground terminal block , for mounting on NS 35...		green-yellow	STI 2,5-PE	3031937	50	
			Accessories			
Cover , width 2.2 mm		gray	D-STI 2,5	3030569	50	
Cover , width 2 mm		gray				
Insulation stop sleeve , cross section range:						
0.08 - 0.2 mm ²		white	ISH 2,5/0,2	3002843	50	
0.25 - 0.5 mm ²		gray	ISH 2,5/0,5	3002856	50	
0.75 - 1 mm ²		black	ISH 2,5/1,0	3002869	50	
Plug-in bridge	2	red				
Support , blue insulating material, for holding the neutral busbar, must be set every 20 cm, 2 mm wide		blue	AB-STI	3030828	50	
Warning cover , for actuation shafts, 5-pos.		yellow	WST 2,5	3030941	50	
Screwdriver			SZF 1-0,6X3,5	1204517	10	
Center groove labeling			UC-TM 5, UCT-TM 5 or ZB 5 (see Catalog 5)			
Center and lateral groove labeling			UC-TMF 5, UCT-TMF 5 or ZBF 5 (see Catalog 5)			



4 (6) mm², ground terminal block



10 (16) mm², 57 A, ground terminal block



16 (25) mm², 76 A, ground terminal block



Technical data			
Width	Length	Height NS 35/7,5	
6.2	66	43	
		max. Ø [mm ²]	AWG
		0.08 - 6	28 - 10
IEC 60947-7-2			
IEC	UL/CUL	CSA	IEC/EN 60079-7
-	-	-	-
-	-/-	-	-
4	-	-	-
28 - 10	-	-	-
solid	stranded	Ferrule Without / with plastic sleeve	
0.08 - 6	0.08 - 4	0.14 - 4	0.14 - 4 0.5 - 1
10			
PA			
V0			

Technical data			
Width	Length	Height NS 35/7,5	
10	87	49	
		max. Ø [mm ²]	AWG
		0.2 - 16	24 - 6
IEC 60947-7-2			
IEC	UL/CUL	CSA	IEC/EN 60079-7
-	-	-	-
57 / 10	-/-	-	-
10	-	-	-
24 - 6	-	-	-
solid	stranded	Ferrule Without / with plastic sleeve	
0.2 - 16	0.2 - 10	0.25 - 10	0.25 - 10 1.5 - 2.5
18			
PA			
V0			

Technical data			
Width	Length	Height NS 35/7,5	
12	95	49	
		max. Ø [mm ²]	AWG
		0.2 - 25	24 - 4
IEC 60947-7-2			
IEC	UL/CUL	CSA	IEC/EN 60079-7
-	-	-	-
76 / 16	-/-	-	-
16	-	-	-
24 - 4	-	-	-
solid	stranded	Ferrule Without / with plastic sleeve	
0.2 - 25	0.2 - 16	0.25 - 16	0.25 - 16 1.5 - 4
18			
PA			
V0			

Ordering data		
Type	Order No.	Pcs. / Pkt.
STI 4-PE	3031966	50

Ordering data			
Type	I _{max}	Order No.	Pcs. / Pkt.
STI 10-PE		3038231	25

Ordering data			
Type	I _{max}	Order No.	Pcs. / Pkt.
STI 16-PE		3038273	25

Accessories		
D-STI 4	3030640	50
ISH 4/0,5	3002885	50
ISH 4/1,0	3002898	50
AB-STI	3030828	50
WST 4	3030954	50
SZF 1-0,6X3,5	1204517	10

Accessories			
D-STI 10/16		3038309	25
FBS 2-10	57 A	3005947	10
AB-STI 16/10		3037669	10
WST 10/35		3030006	25
SZF 2-0,8X4,0		1204520	10

Accessories			
D-STI 10/16		3038309	25
FBS 2-12	76 A	3005950	10
AB-STI 16/10		3037669	10
WST 10/35		3030006	25
SZF 3-1,0X5,5		1206612	10

UC-TM 6, UCT-TM 6 or ZB 6
(see Catalog 5)
UC-TMF 6, UCT-TMF 6 or ZBF 6
(see Catalog 5)

UC-TM 10, UCT-TM 10 or ZB 10
(see Catalog 5)
UC-TMF 10, UCT-TMF 10 or ZBF 10
(see Catalog 5)

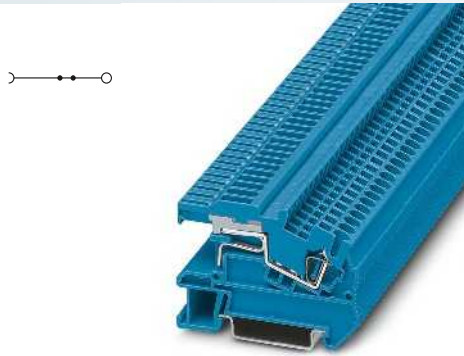
UC-TM 12, UCT-TM 12 or ZB 12
(see Catalog 5)
UC-TMF 12, UCT-TMF 12 or ZBF 12
(see Catalog 5)

ST spring-cage connection terminal blocks

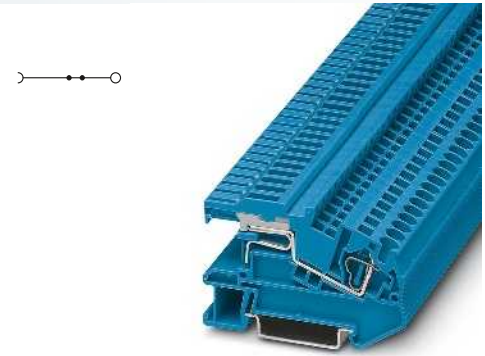
STN ... neutral conductor disconnect terminal block

– The N disconnect slides are located in the same position on all Phoenix Contact screw and spring-cage installation terminal blocks

Notes:
Assembly instructions: For secure fastening of the neutral busbar, supports must be set at the beginning and end of each terminal strip as well as every 20 cm on longer terminal strips.
For L/N/PE AGK ... connection terminal blocks, see page 94.



2.5 (4) mm², 30 A, neutral disconnect terminal block



4 (6) mm², 36 A, neutral disconnect terminal block

Dimensions		[mm]
Max. electrical data		
Rated data		
Rated voltage	[V]	250
Nominal current / cross section	[A] / [mm ²]	24 / 2.5
Rated cross section	[mm ²]	2.5
Cross section range	AWG	28 - 12
Connection capacity		
1 conductor	[mm ²]	0.08 - 4
Two stranded conductors with a TWIN ferrule	[mm ²]	0.08 - 2.5
General data		
Stripping length	[mm]	10
Disconnect slide: thread / torque	- / [Nm]	- / -
Insulating material		
Inflammability class according to UL 94		

Technical data				
Width	Length	Height NS 35/7,5		
5.2	59.5	43		
I _{max} [A]	U _{max} [V]	max. Ø [mm ²]	AWG	
30	250	0.08 - 4	28 - 12	
IEC 60947-7-1				
IEC	UL/CUL	CSA	IEC/EN 60079-7	
Connection capacity				
solid		stranded		
		Ferrule		
		Without / with plastic sleeve		
0.08 - 4	0.08 - 2.5	0.14 - 2.5	0.14 - 2.5	
10				
- / -				
PA				
V0				

Technical data				
Width	Length	Height NS 35/7,5		
6.2	66	43		
I _{max} [A]	U _{max} [V]	max. Ø [mm ²]	AWG	
36	250	0.08 - 6	28 - 10	
IEC 60947-7-1				
IEC	UL/CUL	CSA	IEC/EN 60079-7	
Connection capacity				
solid		stranded		
		Ferrule		
		Without / with plastic sleeve		
0.08 - 6	0.08 - 4	0.14 - 4	0.14 - 4	
10				
- / -				
PA				
V0				

Description	No. of pos.	Color
Neutral disconnect terminal block, for mounting on NS 35...		blue

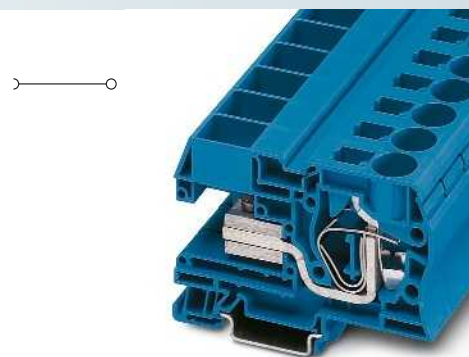
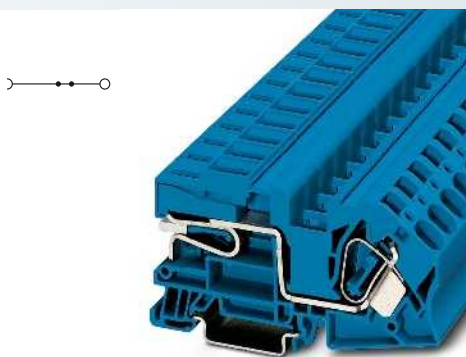
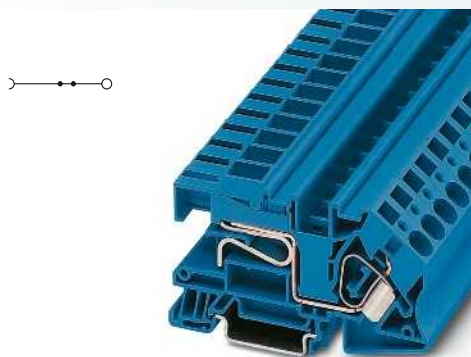
Ordering data			
Type	I _{max}	Order No.	Pcs. / Pkt.
STN 2,5		3031940	50

Ordering data			
Type	I _{max}	Order No.	Pcs. / Pkt.
STN 4		3031979	50

Accessories		
Cover, width 2.2 mm	gray	
Cover, width 2 mm	gray	
Insulation stop sleeve, cross section range:		
0.08 - 0.2 mm ²	white	
0.25 - 0.5 mm ²	gray	
0.75 - 1 mm ²	black	
Plug-in bridge		
	2	red
	3	red
	4	red
	5	red
	10	red
	20	red
PEN conductor busbar, 3 x 10 mm, 1 m long, material: copper, tin-plated, nominal current: 140 A		silver
Test adapter, 4-mm test socket hole		gray
Test plug metal part, 2.3 mm Ø		red
Insulating sleeve, for MPS metal part		red
Modular test plug, for the individual assembly of test plug strips		red
Support, blue insulating material, for holding the neutral busbar, must be set every 20 cm, 2 mm wide		blue
Warning cover, for actuation shafts, 5-pos.		yellow
Screwdriver		
SZF 1-0,6X3,5		
Center groove labeling		
UC-TM 5, UCT-TM 5 or ZB 5 (see Catalog 5)		
Center and lateral groove labeling		
UC-TMF 5, UCT-TMF 5 or ZBF 5 (see Catalog 5)		

Accessories			
D-STI 2,5		3030569	50
ISH 2,5/0,2		3002843	50
ISH 2,5/0,5		3002856	50
ISH 2,5/1,0		3002869	50
FBS 2-5	24 A	3030161	50
FBS 3-5	24 A	3030174	50
FBS 4-5	24 A	3030187	50
FBS 5-5	24 A	3030190	50
FBS 10-5	24 A	3030213	10
FBS 20-5	24 A	3030226	10
NLS-CU 3/10 SN 1000MM	140 A	0402174	10
PAI-4-N GY		3032871	10
MPS-MT		0201744	10
MPS-IH RD		0201676	10
PS-5		3030983	10
AB-STI		3030828	50
SZF 1-0,6X3,5		1204517	10
UC-TM 5, UCT-TM 5 or ZB 5 (see Catalog 5)			
UC-TMF 5, UCT-TMF 5 or ZBF 5 (see Catalog 5)			

Accessories			
D-STI 4		3030640	50
ISH 4/0,5		3002885	50
ISH 4/1,0		3002898	50
FBS 2-6	32 A	3030336	50
FBS 3-6	32 A	3030242	50
FBS 4-6	32 A	3030255	50
FBS 5-6	32 A	3030349	50
FBS 10-6	32 A	3030271	10
FBS 20-6	32 A	3030365	10
NLS-CU 3/10 SN 1000MM	140 A	0402174	10
PAI-4-N GY		3032871	10
MPS-MT		0201744	10
MPS-IH RD		0201676	10
PS-6		3030996	10
AB-STI		3030828	50
SZF 1-0,6X3,5		1204517	10
UC-TM 6, UCT-TM 6 or ZB 6 (see Catalog 5)			
UC-TMF 6, UCT-TMF 6 or ZBF 6 (see Catalog 5)			



10 (16) mm², 57 A, neutral disconnect terminal block

16 (25) mm², 76 A, neutral disconnect terminal block

35 (35) mm², 125 A, neutral disconnect terminal block



Technical data			
Width	Length	Height NS 35/7,5	
10	87	50	
I_{max} [A]	U_{max} [V]	max. Ø [mm ²]	AWG
57	400	0.2 - 16	24 - 6
IEC 60947-7-1			
IEC	UL/CUL	CSA	IEC/EN 60079-7
400	-	-	-
57 / 10	- / -	-	-
10	-	-	-
24 - 6	-	-	-
solid	stranded	Ferrule Without / with plastic sleeve	
0.2 - 16	0.2 - 10	1.5 - 10	1.5 - 10 1.5 - 2.5
18	- / -		
PA	V0		

Technical data			
Width	Length	Height NS 35/7,5	
12	95	50	
I_{max} [A]	U_{max} [V]	max. Ø [mm ²]	AWG
76	400	0.2 - 25	24 - 4
IEC 60947-7-1			
IEC	UL/CUL	CSA	IEC/EN 60079-7
400	-	-	-
76 / 16	- / -	-	-
16	-	-	-
24 - 4	-	-	-
solid	stranded	Ferrule Without / with plastic sleeve	
0.2 - 25	0.2 - 16	1.5 - 16	1.5 - 16 1.5 - 4
18	- / -		
PA	V0		

Technical data			
Width	Length	Height NS 35/7,5	
16	92	59	
I_{max} [A]	U_{max} [V]	max. Ø [mm ²]	AWG
125	400	2.5 - 35	14 - 2
IEC 60947-7-1			
IEC	UL/CUL	CSA	IEC/EN 60079-7
400	-	-	-
125 / 35	- / -	-	-
35	-	-	-
14 - 2	-	-	-
solid	stranded	Ferrule Without / with plastic sleeve	
2.5 - 35	2.5 - 35	2.5 - 35	2.5 - 35
25	M5 / 2.5 - 3		
PA	V0		

Ordering data			
Type	I_{max}	Order No.	Pcs. / Pkt.
STN 10		3038244	25

Ordering data			
Type	I_{max}	Order No.	Pcs. / Pkt.
STN 16		3038286	25

Ordering data			
Type	I_{max}	Order No.	Pcs. / Pkt.
STN 35		3038299	10

Accessories			
D-STI 10/16		3038309	25
FBS 2-10	57 A	3005947	10
NLS-CU 3/10 SN 1000MM	140 A	0402174	10
MPS-MT		0201744	10
MPS-IH RD		0201676	10
AB-STI 16/10		3037669	10
WST 10/35		3030006	25
SZF 2-0,8X4,0		1204520	10

Accessories			
D-STI 10/16		3038309	25
FBS 2-12	76 A	3005950	10
NLS-CU 3/10 SN 1000MM	140 A	0402174	10
MPS-MT		0201744	10
MPS-IH RD		0201676	10
AB-STI 16/10		3037669	10
WST 10/35		3030006	25
SZF 3-1,0X5,5		1206612	10

Accessories			
D-STI 10/16		3038309	25
FBS 2-12	76 A	3005950	10
NLS-CU 3/10 SN 1000MM	140 A	0402174	10
MPS-MT		0201744	10
MPS-IH RD		0201676	10
AB-STI 16/10		3037669	10
WST 10/35		3030006	25
SZF 3-1,0X5,5		1206612	10

UC-TM 10, UCT-TM 10 or ZB 10
(see Catalog 5)

UC-TM 12, UCT-TM 12 or ZB 12
(see Catalog 5)

UC-TM 16, UCT-TM 16 or ZB 16,3
(see Catalog 5)
UC-TMF 16, UCT-TMF 16 or ZBF 16
(see Catalog 5)

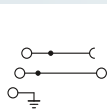
Modular terminal blocks - CLIPLINE complete

ST spring-cage connection terminal blocks

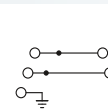
STI ... three-level installation terminal blocks

- Optimum operating convenience with extremely compact design
- Quickly wire load circuits with a pitch of just 5.2 mm
- Each terminal point can be clearly labeled

Notes:
Assembly instructions:
 For secure fastening of the neutral busbar, supports must be set at the beginning and end of each terminal strip as well as every 20 cm on longer terminal strips.



2.5 (4) mm², 20 A, three-level terminal block, 1 x L phase conductor, 1 x N conductor can be disconnected, 1 x PE



2.5 (4) mm², 24 A, three-level terminal block, 2 x L phase conductor, 1 x PE



Dimensions		[mm]	
Max. electrical data			
Rated data			
Rated voltage	[V]	400	300
Phase conductor / phase conductor	[V]	400	-
Phase conductor / PE	[V]	250	-
Phase conductor / N	[V]	250	-
Nominal current / cross section	[A] / [mm ²]	20 / 2.5	20 / -
Rated cross section	[mm ²]	2.5	-
Cross section range	AWG	28 - 12	28-12
Connection capacity			
1 conductor	[mm ²]	0.08 - 4	0.08 - 4
Two stranded conductors with a TWIN ferrule	[mm ²]	0.08 - 4	0.14 - 2.5
General data			
Stripping length	[mm]	10	
Insulating material		PA	
Inflammability class according to UL 94		V0	

Technical data				
Width	Length	Height NS 35/7,5		
5.2	97	50.5		
I _{max} [A]	U _{max} [V]	max. Ø [mm ²]	AWG	
20	400	0.08 - 4	28 - 12	
IEC 60947-7-1 / IEC 60947-7-2				
IEC	UL/CUL	CSA	IEC/EN 60079-7	
Connection capacity				
solid		stranded		Ferrule
				Without / with plastic sleeve
0.08 - 4	0.08 - 4	0.14 - 2.5	0.14 - 2.5	
				0.5
General data				
Stripping length		10		
Insulating material		PA		
Inflammability class according to UL 94		V0		

Description	No. of pos.	Color
Terminal block, for mounting on NS 35...		gray

Ordering data			
Type	I _{max}	Order No.	Pcs. / Pkt.
STI 2,5-PE/LNT		3031827	50

Ordering data			
Type	I _{max}	Order No.	Pcs. / Pkt.
STI 2,5-PE/L/L		3031830	50

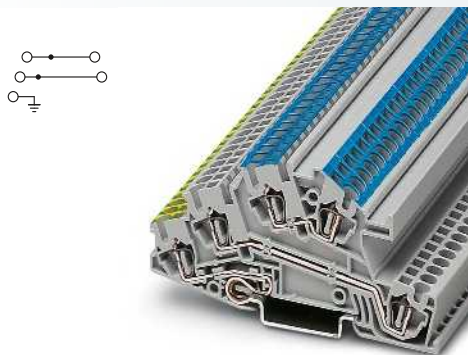
Accessories		Color
Connection terminal block, steel, is pushed onto the NLS neutral busbar, can be labeled using ZB, with insulating cap, solid up to 16 mm ² , 10 mm wide		blue
Up to 35 mm ² solid, 14.3 mm wide		blue
Cover, width 2.2 mm		gray
Plug-in bridge		
	2	red
	3	red
	4	red
	5	red
	10	red
	20	red
Partition plate, 2 mm width		gray
PEN conductor busbar, 3 x 10 mm, 1 m long, material: copper, tin-plated, nominal current: 140 A		silver
Test adapter, 4-mm test socket hole		gray
Modular test plug, for the individual assembly of test plug strips		red
Support, blue insulating material, for holding the neutral busbar, must be set every 20 cm, 2 mm wide		blue
Screwdriver		

Accessories			
Type	I _{max}	Order No.	Pcs. / Pkt.
AKG 16 BU		0423014	50
AKG 35 BU		0424013	50
D-STI/3		3030844	10
FBS 2-5	24 A	3030161	50
FBS 3-5	24 A	3030174	50
FBS 4-5	24 A	3030187	50
FBS 5-5	24 A	3030190	50
FBS 10-5	24 A	3030213	10
FBS 20-5	24 A	3030226	10
ATP-STI/3		3030857	10
NLS-CU 3/10 SN 1000MM	140 A	0402174	10
PAI-4-N GY		3032871	10
PS-5		3030983	10
AB-STI/3		3030831	10
SZF 1-0,6X3,5		1204517	10

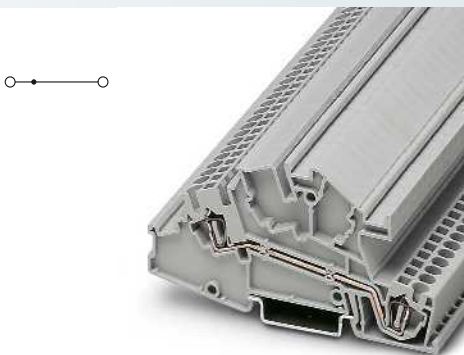
Accessories			
Type	I _{max}	Order No.	Pcs. / Pkt.
D-STI/3		3030844	10
FBS 2-5	24 A	3030161	50
FBS 3-5	24 A	3030174	50
FBS 4-5	24 A	3030187	50
FBS 5-5	24 A	3030190	50
FBS 10-5	24 A	3030213	10
FBS 20-5	24 A	3030226	10
ATP-STI/3		3030857	10
NLS-CU 3/10 SN 1000MM	140 A	0402174	10
PAI-4-N GY		3032871	10
PS-5		3030983	10
AB-STI/3		3030831	10
SZF 1-0,6X3,5		1204517	10

Center groove labeling	UC-TM 5, UCT-TM 5 or ZB 5 (see Catalog 5)
Center and lateral groove labeling	UC-TMF 5, UCT-TMF 5 or ZBF 5 (see Catalog 5)

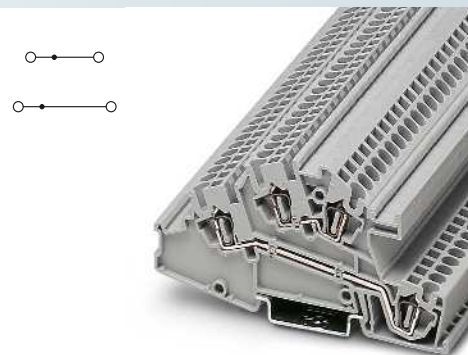
Center groove labeling	UC-TM 5, UCT-TM 5 or ZB 5 (see Catalog 5)
Center and lateral groove labeling	UC-TMF 5, UCT-TMF 5 or ZBF 5 (see Catalog 5)



2.5 (4) mm², 24 A, three-level terminal block, 1 x L phase conductor, 1 x N conductor, 1 x PE



2.5 (4) mm², 24 A, three-level terminal block, 1 x L phase conductor



2.5 (4) mm², 24 A, three-level terminal block, 2 x L phase conductor



Technical data			
Width	Length	Height NS 35/7,5	
5.2	97	50.5	
I_{max} [A]	U_{max} [V]	max. Ø [mm ²]	AWG
24	400	0.08 - 4	28 - 12
IEC 60947-7-1 / IEC 60947-7-2			
IEC	UL/CUL	CSA	IEC/EN 60079-7
400	300	300	-
400	-	-	-
250	-	-	-
400	-	-	-
24 / 2.5	20 / -	20 / -	-
2.5	-	-	-
28 - 12	28-12	28-12	-
solid	stranded	Ferrule Without / with plastic sleeve	
0.08 - 4	0.08 - 4	0.14 - 2.5	0.14 - 2.5 0.5
10	PA	V0	

Technical data			
Width	Length	Height NS 35/7,5	
5.2	97	50.5	
I_{max} [A]	U_{max} [V]	max. Ø [mm ²]	AWG
24	400	0.08 - 4	28 - 12
IEC 60947-7-1			
IEC	UL/CUL	CSA	IEC/EN 60079-7
400	300	300	-
400	-	-	-
-	-	-	-
-	-	-	-
24 / 2.5	20 / -	20 / -	-
2.5	-	-	-
28 - 12	28-12	28-12	-
solid	stranded	Ferrule Without / with plastic sleeve	
0.08 - 4	0.08 - 4	0.14 - 2.5	0.14 - 2.5 0.5
10	PA	V0	

Technical data			
Width	Length	Height NS 35/7,5	
5.2	97	50.5	
I_{max} [A]	U_{max} [V]	max. Ø [mm ²]	AWG
24	400	0.08 - 4	28 - 12
IEC 60947-7-1			
IEC	UL/CUL	CSA	IEC/EN 60079-7
400	300	300	-
400	-	-	-
-	-	-	-
-	-	-	-
24 / 2.5	20 / -	20 / -	-
2.5	-	-	-
28 - 12	28-12	28-12	-
solid	stranded	Ferrule Without / with plastic sleeve	
0.08 - 4	0.08 - 4	0.14 - 2.5	0.14 - 2.5 0.5
10	PA	V0	

Ordering data			
Type	I_{max}	Order No.	Pcs. / Pkt.
STI 2,5-PE/L/N		3031843	50

Ordering data			
Type	I_{max}	Order No.	Pcs. / Pkt.
STI 2,5-L		3031869	50

Ordering data			
Type	I_{max}	Order No.	Pcs. / Pkt.
STI 2,5-L/L		3031856	50

Accessories			
D-STI/3		3030844	10
FBS 2-5	24 A	3030161	50
FBS 3-5	24 A	3030174	50
FBS 4-5	24 A	3030187	50
FBS 5-5	24 A	3030190	50
FBS 10-5	24 A	3030213	10
FBS 20-5	24 A	3030226	10
ATP-STI/3		3030857	10
NLS-CU 3/10 SN 1000MM	140 A	0402174	10
PAI-4-N GY		3032871	10
PS-5		3030983	10
AB-STI/3		3030831	10
SZF 1-0,6X3,5		1204517	10

Accessories			
D-STI/3		3030844	10
FBS 2-5	24 A	3030161	50
FBS 3-5	24 A	3030174	50
FBS 4-5	24 A	3030187	50
FBS 5-5	24 A	3030190	50
FBS 10-5	24 A	3030213	10
FBS 20-5	24 A	3030226	10
ATP-STI/3		3030857	10
NLS-CU 3/10 SN 1000MM	140 A	0402174	10
PAI-4-N GY		3032871	10
PS-5		3030983	10
AB-STI/3		3030831	10
SZF 1-0,6X3,5		1204517	10

Accessories			
D-STI/3		3030844	10
FBS 2-5	24 A	3030161	50
FBS 3-5	24 A	3030174	50
FBS 4-5	24 A	3030187	50
FBS 5-5	24 A	3030190	50
FBS 10-5	24 A	3030213	10
FBS 20-5	24 A	3030226	10
ATP-STI/3		3030857	10
NLS-CU 3/10 SN 1000MM	140 A	0402174	10
PAI-4-N GY		3032871	10
PS-5		3030983	10
AB-STI/3		3030831	10
SZF 1-0,6X3,5		1204517	10

UC-TM 5, UCT-TM 5 or ZB 5
(see Catalog 5)
UC-TMF 5, UCT-TMF 5 or ZBF 5
(see Catalog 5)

UC-TM 5, UCT-TM 5 or ZB 5
(see Catalog 5)
UC-TMF 5, UCT-TMF 5 or ZBF 5
(see Catalog 5)

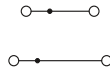
UC-TM 5, UCT-TM 5 or ZB 5
(see Catalog 5)
UC-TMF 5, UCT-TMF 5 or ZBF 5
(see Catalog 5)

ST spring-cage connection terminal blocks

STI ... three-level installation terminal blocks

– The terminal blocks with the knife disconnect zone in the upper level comply with the safety requirement of single circuit disconnection according to DIN VDE 0100-718

Notes:
For more plug-in bridges, see page 472.
For corresponding function plugs, see page 480.
1) Also see page 480.



2.5 (4) mm², 24 A, three-level terminal block, 1 x L phase conductor, 1 x N conductor

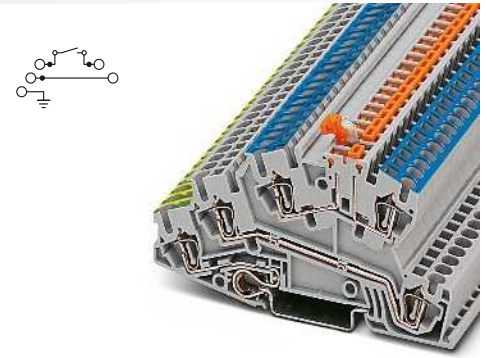


Technical data				
Width	Length	Height NS 35/7,5		
5.2	97	50.5		
I _{max.} [A]	U _{max.} [V]	max. Ø [mm ²]	AWG	
24	400	0.08 - 4	28 - 12	
IEC 60947-7-1				
IEC	UL/CUL	CSA	IEC/EN 60079-7	
400	300	300	-	
400	-	-	-	
400	-	-	-	
-	-	-	-	
24 / 2.5	20 / -	20 / -	-	
2.5	-	-	-	
28 - 12	28-12	28-12	-	
IEC 60947-7-1				
IEC	UL/CUL	CSA	IEC/EN 60079-7	
-	-	-	-	
IEC 60947-7-1				
IEC	UL/CUL	CSA	IEC/EN 60079-7	
16 / 2.5	16 / -	16 / -	-	
0.08 - 4	0.08 - 4	0.14 - 2.5	0.14 - 2.5	
Without / with plastic sleeve				
		0.5		
General data				
Stripping length	10 [mm]			
Insulating material	PA			
Inflammability class according to UL 94	V0			

Ordering data				
Type	I _{max.}	Order No.	Pcs. / Pkt.	
STI 2,5-L/N		3201851	50	

Accessories				
Type	I _{max.}	Order No.	Pcs. / Pkt.	
AKG 16 BU		0423014	50	
AKG 35 BU		0424013	50	
D-STI/3		3030844	10	
FBS 2-5	24 A	3030161	50	
FBS 5-5	24 A	3030190	50	
FBS 20-5	24 A	3030226	10	
ATP-STI/3		3030857	10	
NLS-CU 3/10 SN 1000MM	140 A	0402174	10	
PAI-4-N GY		3032871	10	
PS-5		3030983	10	
AB-STI/3		3030831	10	
SZF 1-0,6X3,5		1204517	10	

UC-TM 5, UCT-TM 5 or ZB 5 (see Catalog 5)
UC-TMF 5, UCT-TMF 5 or ZBF 5 (see Catalog 5)



2.5 (4) mm², 24 A, three-level terminal block, 1 x L phase conductor, 1 x N conductor can be disconnected, 1 x PE

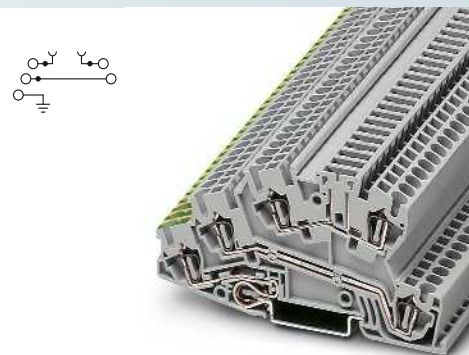
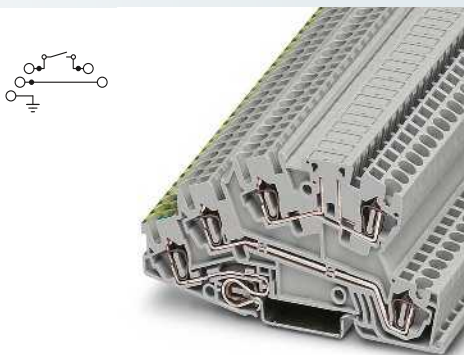
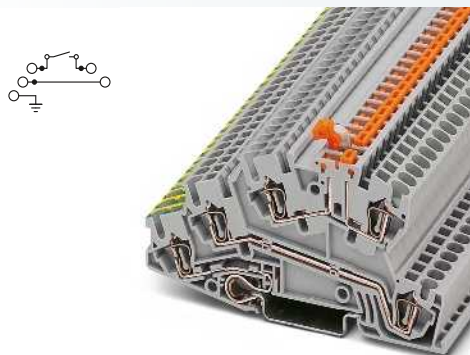


Technical data				
Width	Length	Height NS 35/7,5		
5.2	97	50.5		
I _{max.} [A]	U _{max.} [V]	max. Ø [mm ²]	AWG	
24	400	0.08 - 4	28 - 12	
IEC 60947-7-1 / IEC 60947-7-2				
IEC	UL/CUL	CSA	IEC/EN 60079-7	
400	300	300	-	
400	-	-	-	
250	-	-	-	
250	-	-	-	
24 / 2.5	20 / -	20	-	
2.5	-	-	-	
28 - 12	28-12	28-12	-	
IEC 60947-7-1				
IEC	UL/CUL	CSA	IEC/EN 60079-7	
16 / 2.5	16 / -	16 / -	-	
0.08 - 4	0.08 - 4	0.14 - 2.5	0.14 - 2.5	
Without / with plastic sleeve				
		0.5		
General data				
Stripping length	10 [mm]			
Insulating material	PA			
Inflammability class according to UL 94	V0			

Ordering data				
Type	I _{max.}	Order No.	Pcs. / Pkt.	
STI 2,5-PE/L/NTB		3038642	50	

Accessories				
Type	I _{max.}	Order No.	Pcs. / Pkt.	
D-STI/3B		3038655	10	
FBS 2-5	24 A	3030161	50	
FBS 5-5	24 A	3030190	50	
FBS 20-5	24 A	3030226	10	
S-MT		3247954	50	
PAI-4-N GY		3032871	10	
PS-5		3030983	10	
SZF 1-0,6X3,5		1204517	10	

UC-TM 5, UCT-TM 5 or ZB 5 (see Catalog 5)
UC-TMF 5, UCT-TMF 5 or ZBF 5 (see Catalog 5)



2.5 (4) mm², 24 A, three-level terminal block, 1 x L phase conductor, 1 phase conductor can be disconnected

2.5 (4) mm², 24 A, three-level terminal block, 2 x L phase conductor

2.5 (4) mm², 24 A, three-level terminal block, 1 x L phase conductor, 1 x PE, 1 x disconnect zone



Technical data			
Width	Length	Height NS 35/7,5	
5.2	97	50.5	
I_{max} [A]	U_{max} [V]	max. Ø [mm ²]	AWG
24	400	0.08 - 4	28 - 12
IEC 60947-7-1 / IEC 60947-7-2			
IEC	UL/CUL	CSA	IEC/EN 60079-7
400	300	300	-
400	-	-	-
250	-	-	-
-	-	-	-
24 / 2.5	20 / -	20	-
2.5	-	-	-
28 - 12	28-12	28-12	-
IEC 60947-7-1			
IEC	UL/CUL	CSA	IEC/EN 60079-7
16 / 2.5	16 / -	16 / -	-
solid	stranded	Ferrule	
		Without / with plastic sleeve	
0.08 - 4	0.08 - 4	0.14 - 2.5	0.14 - 2.5
0.5			
10	PA	V0	

Technical data			
Width	Length	Height NS 35/7,5	
5.2	97	50.5	
I_{max} [A]	U_{max} [V]	max. Ø [mm ²]	AWG
24	400	0.08 - 4	28 - 12
IEC 60947-7-1 / IEC 60947-7-2			
IEC	UL/CUL	CSA	IEC/EN 60079-7
400	300	300	-
400	-	-	-
250	-	-	-
-	-	-	-
24 / 2.5	20 / -	20	-
2.5	-	-	-
28 - 12	28-12	28-12	-
IEC 60947-7-1			
IEC	UL/CUL	CSA	IEC/EN 60079-7
16 / 2.5	16 / -	16 / -	-
solid	stranded	Ferrule	
		Without / with plastic sleeve	
0.08 - 4	0.08 - 4	0.14 - 2.5	0.14 - 2.5
0.5			
10	PA	V0	

Technical data			
Width	Length	Height NS 35/7,5	
5.2	97	50.5	
I_{max} [A]	U_{max} [V]	max. Ø [mm ²]	AWG
24	400	0.08 - 4	28 - 12
IEC 60947-7-1 / IEC 60947-7-2			
IEC	UL/CUL	CSA	IEC/EN 60079-7
400	300	300	-
400	-	-	-
250	-	-	-
-	-	-	-
24 / 2.5	20 / -	20	-
2.5	-	-	-
28 - 12	28-12	28-12	-
IEC 60947-7-1			
IEC	UL/CUL	CSA	IEC/EN 60079-7
16 / 2.5	16 / -	16 / -	-
solid	stranded	Ferrule	
		Without / with plastic sleeve	
0.08 - 4	0.08 - 4	0.14 - 2.5	0.14 - 2.5
0.5			
10	PA	V0	

Ordering data			
Type	I_{max}	Order No.	Pcs. / Pkt.
STI 2,5-PE/L/LTB		3032130	50

Ordering data			
Type	I_{max}	Order No.	Pcs. / Pkt.
STI 2,5-PE/L/LB		3035205	50

Ordering data			
Type	I_{max}	Order No.	Pcs. / Pkt.
STI 2,5-PE/L/TG		3039942	50

Accessories			
D-STI/3B		3038655	10
FBS 2-5	24 A	3030161	50
FBS 5-5	24 A	3030190	50
FBS 20-5	24 A	3030226	10
S-MT		3247954	50
PAI-4-N GY		3032871	10
PS-5		3030983	10
SZF 1-0,6X3,5		1204517	10

Accessories			
D-STI/3B		3038655	10
FBS 2-5	24 A	3030161	50
FBS 5-5	24 A	3030190	50
FBS 20-5	24 A	3030226	10
PAI-4-N GY		3032871	10
PS-5		3030983	10
SZF 1-0,6X3,5		1204517	10

Accessories			
D-STI/3B		3038655	10
FBS 2-5	24 A	3030161	50
FBS 5-5	24 A	3030190	50
FBS 20-5	24 A	3030226	10
PAI-4-N GY		3032871	10
PS-5		3030983	10
SZF 1-0,6X3,5		1204517	10

UC-TM 5, UCT-TM 5 or ZB 5
(see Catalog 5)
UC-TMF 5, UCT-TMF 5 or ZBF 5
(see Catalog 5)

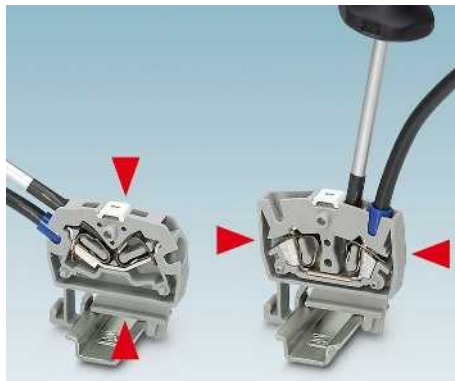
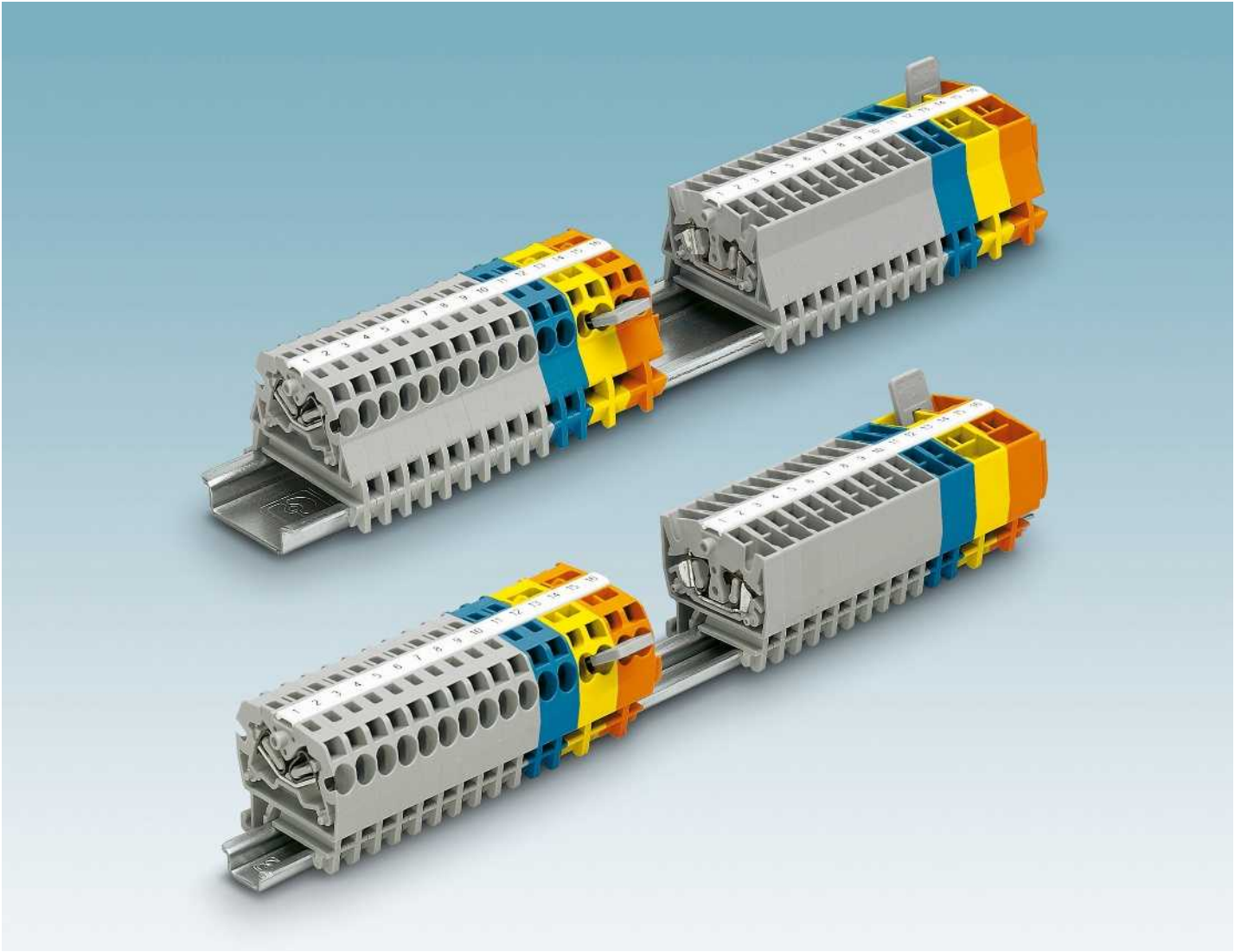
UC-TM 5, UCT-TM 5 or ZB 5
(see Catalog 5)
UC-TMF 5, UCT-TMF 5 or ZBF 5
(see Catalog 5)

UC-TM 5, UCT-TM 5 or ZB 5
(see Catalog 5)
UC-TMF 5, UCT-TMF 5 or ZBF 5
(see Catalog 5)

Modular terminal blocks - CLIPLINE complete

ST spring-cage connection terminal blocks

MSB and MSBV mini spring-cage terminal blocks



Miniature terminal connection with maximum benefits

Thanks to the space-saving design and conductor entry from above and from the side, MSB 2,5 and MSBV 2,5 mini spring-cage terminal blocks are ideal for wiring in a confined space.



Maximum connection space

Thanks to their maximum connection space, miniature spring-cage terminal blocks offer a quick means of wiring solid and stranded conductors, even for conductors of nominal cross section with assembled ferrule.



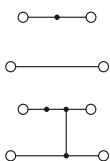
Flexible application

The miniature spring-cage terminal blocks are available for DIN rail mounting on NS 15 or NS 35 and direct mounting with screw flange or engagement pin.

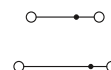
MZFKK 1,5 and MZFKKB 1,5 mini double-level terminal blocks

- For maximum space saving with 5.2 mm pitch
- Fit on NS 15 and NS 35 DIN rails
- Bridging facility in both levels with MZFKKB 1,5
- Each terminal point can be labeled

Notes:
 1) The total current of all connected conductors must not exceed the max. load current.



1.5 (2.5) mm², 24 A, double-level terminal block



1.5 (2.5) mm², 20 A, double-level terminal block, both levels can be bridged



Technical data				
Width	Length	Height NS 35/7,5		
5.2	67.5	42.5		
Width	Length	Height NS 15		
5.2	67.5	42		
I _{max} [A]	U _{max} [V]	max. Ø [mm ²]	AWG	
24	500	0.14 - 2.5	26 - 14	
IEC 60947-7-1				
IEC	UL/CUL	CSA	IEC/EN 60079-7	
Rated voltage	[V]	500	600	-
Nominal current / cross section	[A] / [mm ²]	17.5 / 1.5	15 / -	-
Rated cross section	[mm ²]	1.5	-	-
Cross section range	AWG	26 - 14	26-14	-
Connection capacity				
	solid	stranded	Ferrule	
			Without / with plastic sleeve	
1 conductor	[mm ²]	0.14 - 2.5	0.14 - 1.5	0.14 - 1.5
Two stranded conductors with a TWIN ferrule	[mm ²]			
General data				
Stripping length	[mm]	9		
Insulating material		PA		
Inflammability class according to UL 94		V0		



Technical data				
Width	Length	Height NS 35/7,5		
5.2	85	42.5		
Width	Length	Height NS 15		
5.2	85	42		
I _{max} [A]	U _{max} [V]	max. Ø [mm ²]	AWG	
20	500	0.14 - 2.5	26 - 14	
IEC 60947-7-1				
IEC	UL/CUL	CSA	IEC/EN 60079-7	
Rated voltage	[V]	500	600	-
Nominal current / cross section	[A] / [mm ²]	17.5 / 1.5	15 / -	-
Rated cross section	[mm ²]	1.5	-	-
Cross section range	AWG	26 - 14	26-14	-
Connection capacity				
	solid	stranded	Ferrule	
			Without / with plastic sleeve	
1 conductor	[mm ²]	0.14 - 2.5	0.14 - 1.5	0.14 - 1.5
Two stranded conductors with a TWIN ferrule	[mm ²]			
General data				
Stripping length	[mm]	9		
Insulating material		PA		
Inflammability class according to UL 94		V0		

Ordering data			
Description	No. of pos.	Color	
Mini spring-cage terminal block, for mounting on NS 15 or NS 35 DIN rail		gray	
Mini spring-cage terminal block, for mounting on NS 15 or NS 35 DIN rail, with potential distribution between the levels ¹⁾		gray	
Type	I _{max}	Order No.	Pcs. / Pkt.
MZFKK 1,5		3029813	50
MZFKK 1,5-PV		3029826	50

Ordering data			
Type	I _{max}	Order No.	Pcs. / Pkt.
MZFKKB 1,5		3005714	50

Accessories			
D-MZFKK 1,5		3029839	50
FBRI 2-5 N	20 A	3000227	10
FBRI 3-5 N	20 A	3000201	10
FBRI 10-5 N	20 A	2770642	10
TS-KK 3		2770215	50
SZF 1-0,6X3,5		1204517	10

Accessories			
D-MZFKK 1,5		3029839	50
FBRI 2-5 N	20 A	3000227	10
FBRI 3-5 N	20 A	3000201	10
FBRI 10-5 N	20 A	2770642	10
TS-KK 3		2770215	50
SZF 1-0,6X3,5		1204517	10

UC-TMF 5, UCT-TMF 5 or ZBF 5 (see Catalog 5)

UC-TMF 5, UCT-TMF 5 or ZBF 5 (see Catalog 5)

ST spring-cage connection terminal blocks

MS(D)B 2,5 mini feed-through and ground terminal block, for mounting on NS 15



- Can be used in smaller terminal boxes
- For connecting smaller motors and wiring in the lower power spectrum
- The mini spring-cage terminal block for NS 15 DIN rails is available as a 2 and 4-wire terminal block
- Maximum wiring space, 4 mm² solid or 2.5 mm² stranded conductors can also be contacted with ferrules
- Ideal for wiring in a small amount of space
- Ground terminal block of the same shape makes contact when simply snapped on and meets the high requirements of IEC 60947-7-2

Notes:
For current carrying capacity of DIN rails, see page 716.
1) The total current of all connected conductors must not exceed the max. load current.
2) For installation notes on the use of accessories for Ex e applications, see page 710.



2.5 (4) mm², 30 A, feed-through terminal block



Ex: PTB 08ATEX1075U / IECEx PTB 08.0048U

Dimensions		[mm]	
Max. electrical data			
Rated data			
Rated voltage	[V]	800	600
Nominal current / cross section	[A] / [mm ²]	24 / 2.5	20 / -
Rated cross section	[mm ²]	2.5	-
Cross section range	AWG	28 - 12	28-12
Connection capacity			
1 conductor	[mm ²]	0.08 - 4	0.08 - 2.5
Two stranded conductors with a TWIN ferrule	[mm ²]		
General data			
Stripping length	[mm]	8	
Insulating material		PA	
Inflammability class according to UL 94		V0	

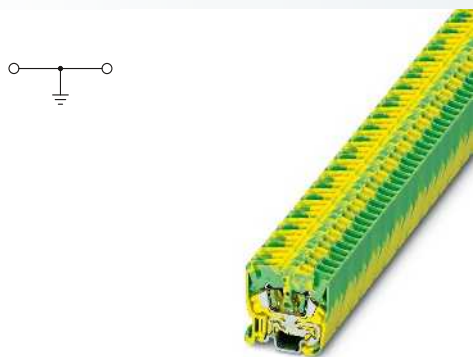
Technical data				
Width	Length	Height NS 15		
5.2	32	30		
I _{max} [A]	U _{max} [V]	max. Ø [mm ²]	AWG	
30	800	0.08 - 4	28 - 12	
IEC 60947-7-1				
IEC	UL/CUL	CSA	IEC/EN 60079-7	
			Without / with plastic sleeve	
solid	stranded		0.14 - 2.5	0.14 - 2.5
Ferrule				
0.5				

Description	No. of pos.	Color
Mini terminal block , for mounting on NS 15		gray
		blue
		orange
		yellow
Mini ground terminal block , for mounting on NS 15		green-yellow
Double mini terminal block , with four terminal points having the same potential, for mounting on NS 15		gray
		blue
		orange
		yellow

Ordering data		
Type	Order No.	Pcs. / Pkt.
MSB 2,5	3244012	50
MSB 2,5 BU	3244025	50
MSB 2,5 OG	3244038	50
MSB 2,5 YE	3073092	50

Cover , width 4 mm		gray
		blue
Insertion bridge , fully insulated		
	2	gray
Screwdriver		
Center groove labeling		

Accessories ²⁾		
	Order No.	Pcs. / Pkt.
D-MZB 1,5	3024177	50
D-MZB 1,5 BU	3024423	50
SZF 1-0,6X3,5	1204517	10
UC-TMF 5, UCT-TMF 5 or ZBF 5 (see Catalog 5)		



2.5 (4) mm², ground terminal block



2.5 (4) mm², 30 A, feed-through terminal block, 4 connections



Ex: PTB 08ATEX1075U / IECEx PTB 08.0048U

Technical data			
Width	Length	Height NS 15	
5.2	32	30	
		max. Ø [mm ²]	AWG
		0.08 - 4	28 - 12
IEC 60947-7-2			
IEC	UL/CUL	CSA	IEC/EN 60079-7
-	-	-	-
-	- / -	-	-
2.5	-	-	-
28 - 12	28-12	28-12	-
solid	stranded	Ferrule	
		Without / with plastic sleeve	
0.08 - 4	0.08 - 2.5	0.14 - 2.5	0.14 - 2.5
		0.5	
8			
PA			
V0			

Technical data			
Width	Length	Height NS 15	
10.4	32	30	
<i>I</i> _{max} [A]	<i>U</i> _{max} [V]	max. Ø [mm ²]	AWG
30 ¹⁾	800	0.08 - 4	28 - 12
IEC 60947-7-1			
IEC	UL/CUL	CSA	IEC/EN 60079-7
800	600	600	690
24 ¹⁾ / 2.5	20 / -	20 / -	22 / 2.5 // 28 / 4
2.5	-	-	2.5
28 - 12	28-12	28-12	28 - 12
solid	stranded	Ferrule	
		Without / with plastic sleeve	
0.08 - 4	0.08 - 2.5	0.14 - 2.5	0.14 - 2.5
		0.5	
8			
PA			
V0			

Ordering data		
Type	Order No.	Pcs. / Pkt.
MSB 2,5-PE	3244151	50

Ordering data			
Type	<i>I</i> _{max}	Order No.	Pcs. / Pkt.
MSDB 2,5		3244216	50
MSDB 2,5 BU		3244229	50
MSDB 2,5 OG		3073102	50
MSDB 2,5 YE		3073115	50

Accessories ²⁾		
D-MZB 1,5	3024177	50
SZF 1-0,6X3,5	1204517	10

Accessories ²⁾			
D-MZB 1,5		3024177	50
ESB 2-MZDB	24 A	3029703	10
SZF 1-0,6X3,5		1204517	10

UC-TMF 5, UCT-TMF 5 or ZBF 5
(see Catalog 5)

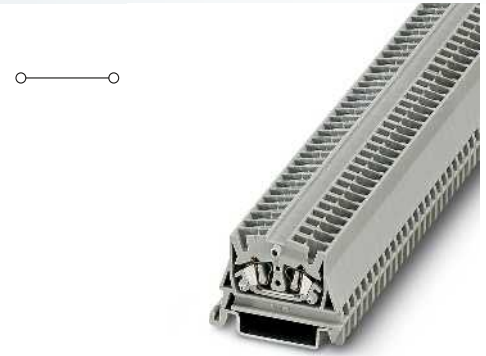
UC-TMF 5, UCT-TMF 5 or ZBF 5
(see Catalog 5)

ST spring-cage connection terminal blocks

MS(D)B 2,5 mini feed-through and ground terminal block, for mounting on NS 35

- The mini spring-cage terminal block for NS 35 DIN rails is available as a 2 and 4-wire terminal block
- Maximum wiring space, 4 mm² solid or 2.5 mm² stranded conductors can also be contacted with ferrules
- Ideal for wiring in a small amount of space
- Ground terminal block of the same shape makes contact when simply snapped on and meets the high requirements of IEC 60947-7-2

Notes:
For current carrying capacity of DIN rails, see page 716.
1) The total current of all connected conductors must not exceed the max. load current.
2) For installation notes on the use of accessories for Ex e applications, see page 710.



2.5 (4) mm², 30 A, feed-through terminal block



Ex: Ex IIC PTB 08ATEX1075U / IECEx PTB 08.0048U

Dimensions		
		[mm]
Max. electrical data		
Rated data		
Rated voltage	[V]	800
Nominal current / cross section	[A] / [mm ²]	24 / 2.5
Rated cross section	[mm ²]	2.5
Cross section range	AWG	28 - 12
Connection capacity		
1 conductor	[mm ²]	0.08 - 4
Two stranded conductors with a TWIN ferrule	[mm ²]	0.08 - 2.5
General data		
Stripping length	[mm]	8
Insulating material		PA
Inflammability class according to UL 94		V0

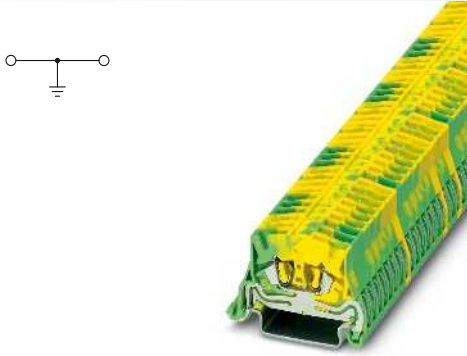
Technical data				
Width	Length	Height NS 35/7,5		
5.2	42.7	32		
I _{max} [A]	U _{max} [V]	max. Ø [mm ²]	AWG	
30	800	0.08 - 4	28 - 12	
IEC 60947-7-1		Ex		
IEC	UL/CUL	CSA	IEC/EN 60079-7	
			Without / with plastic sleeve	
			0.14 - 2.5	0.14 - 2.5
				0.5

Description	No. of pos.	Color
Mini terminal block, for mounting on NS 35		gray
		blue
		orange
		yellow
Mini ground terminal block, for mounting on NS 35...		green-yellow
Double mini terminal block, with four terminal points having the same potential, for mounting on NS 35		gray
		blue
		orange
		yellow

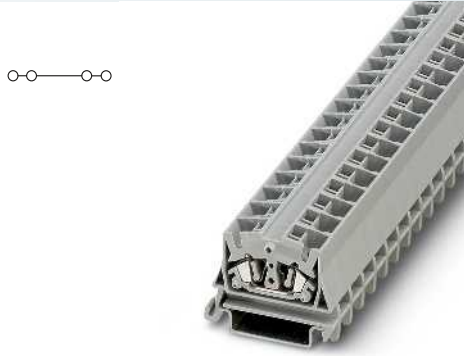
Ordering data		
Type	Order No.	Pcs. / Pkt.
MSB 2,5-NS 35	3244119	50
MSB 2,5-NS 35 BU	3244122	50
MSB 2,5-NS 35 OG	3244135	50
MSB 2,5-NS 35 YE	3073128	50

Cover, width 4 mm		gray blue
Insertion bridge, fully insulated	2	gray
Screwdriver		
Center groove labeling		

Accessories ²⁾		
D-MZB 1,5	3024177	50
D-MZB 1,5 BU	3024423	50
SZF 1-0,6X3,5	1204517	10
UC-TMF 5, UCT-TMF 5 or ZBF 5 (see Catalog 5)		



For mounting on NS 35 DIN rail acc. to EN 60715



2.5 (4) mm², 30 A, feed-through terminal block, 4 connections



Ex: PTB 08ATEX1075U / IECEx PTB 08.0048U

Technical data			
Width	Length	Height NS 35/7,5	
5.2	42.7	32	
		max. Ø [mm ²]	AWG
		0.08 - 4	28 - 12
IEC 60947-7-2			
IEC	UL/CUL	CSA	IEC/EN 60079-7
-	-	-	-
-	- / -	-	-
2.5	-	-	-
28 - 12	28-12	28-12	-
solid	stranded	Ferrule	
		Without / with plastic sleeve	
0.08 - 4	0.08 - 2.5	0.14 - 2.5	0.14 - 2.5
			0.5
8			
PA			
V0			

Technical data			
Width	Length	Height NS 35/7,5	
10.4	42.7	32	
I _{max} [A]	U _{max} [V]	max. Ø [mm ²]	AWG
30 ¹⁾	800	0.08 - 4	28 - 12
IEC 60947-7-1			
IEC	UL/CUL	CSA	IEC/EN 60079-7
800	600	600	690
24 ¹⁾ / 2.5	20 / -	20 / -	22 / 2.5 // 28 / 4
2.5	-	-	2.5
28 - 12	28-12	28-12	28 - 12
solid	stranded	Ferrule	
		Without / with plastic sleeve	
0.08 - 4	0.08 - 2.5	0.14 - 2.5	0.14 - 2.5
			0.5
8			
PA			
V0			

Ordering data		
Type	Order No.	Pcs. / Pkt.
MSB 2,5-NS 35-PE	3244148	50

Ordering data			
Type	I _{max}	Order No.	Pcs. / Pkt.
MSDB 2,5-NS 35		3244300	50
MSDB 2,5-NS 35 BU		3244313	50
MSDB 2,5-NS 35 OG		3244326	50
MSDB 2,5-NS 35 YE		3073131	50

Accessories ²⁾		
D-MZB 1,5	3024177	50
SZF 1-0,6X3,5	1204517	10

Accessories ²⁾			
D-MZB 1,5	3024177	50	
ESB 2-MZDB	24 A	3029703	10
SZF 1-0,6X3,5		1204517	10

UC-TMF 5, UCT-TMF 5 or ZBF 5 (see Catalog 5)

UC-TMF 5, UCT-TMF 5 or ZBF 5 (see Catalog 5)

ST spring-cage connection terminal blocks

MS(D)B 2,5 mini feed-through terminal blocks, for direct mounting with flange

- MS(D)B 2,5-M middle terminal blocks can be mounted directly on a mounting plate in conjunction with the MS(D)B 2,5-F flange terminal block and the D-MZB 1,5-F flange end cover

Notes:
1) The total current of all connected conductors must not exceed the max. load current.
2) For installation notes on the use of accessories for Ex e applications, see page 710.

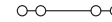


2.5 (4) mm², 30 A, feed-through terminal block, for grouping

Ex:

 PTB 08ATEX1075U / IECEx PTB 08.0048U

Technical data				
Width	Length	Height		
5.2	32	22		
I _{max.} [A]	U _{max.} [V]	max. Ø [mm ²]	AWG	
30	800	0.08 - 4	28 - 12	
IEC 60947-7-1				
IEC	UL/CUL	CSA	IEC/EN 60079-7	
800	600	600	550	
Nominal current / cross section [A] / [mm ²]	24 / 2.5	20 / -	20 / -	22 / 2.5 // 28 / 4
Rated cross section [mm ²]	2.5	-	2.5	
Cross section range AWG	28 - 12	28-12	28 - 12	
Connection capacity		Ferrule		
1 conductor [mm ²]	0.08 - 4	0.08 - 2.5	Without / with plastic sleeve	
Two stranded conductors with a TWIN ferrule [mm ²]			0.14 - 2.5	0.14 - 2.5
			0.5	
General data				
Stripping length [mm]	8			
Insulating material	PA			
Inflammability class according to UL 94	V0			



2.5 (4) mm², 30 A, feed-through terminal block, 4 connections, for grouping

Ex:

 PTB 08ATEX1075U / IECEx PTB 08.0048U

Technical data				
Width	Length	Height		
10.4	32	22		
I _{max.} [A]	U _{max.} [V]	max. Ø [mm ²]	AWG	
30 ¹⁾	800	0.08 - 4	28 - 12	
IEC 60947-7-1				
IEC	UL/CUL	CSA	IEC/EN 60079-7	
800	600	600	550	
Nominal current / cross section [A] / [mm ²]	24 ¹⁾ / 2.5	20 / -	20 / -	22 / 2.5 // 28 / 4
Rated cross section [mm ²]	2.5	-	2.5	
Cross section range AWG	28 - 12	28-12	28 - 12	
Connection capacity		Ferrule		
1 conductor [mm ²]	0.08 - 4	0.08 - 2.5	Without / with plastic sleeve	
Two stranded conductors with a TWIN ferrule [mm ²]			0.14 - 2.5	0.14 - 2.5
			0.5	
General data				
Stripping length [mm]	8			
Insulating material	PA			
Inflammability class according to UL 94	V0			

Description	No. of pos.	Color
Mini middle terminal block , mounting in conjunction with flange and engagement pin versions		gray
		blue
		orange
		yellow
Mini flange terminal block , for direct mounting with screws		gray
		blue
Mini middle terminal block , double connection, mounting in conjunction with flange and engagement pin versions		gray
		blue
		orange
		yellow
Mini flange terminal block , double connection, for direct mounting with screws		gray
		blue

Ordering data			
Type	Order No.	Pcs. / Pkt.	
MSB 2,5-M	3244067	50	
MSB 2,5-M BU	3244070	50	
MSB 2,5-M OG	3244096	50	
MSB 2,5-M YE	3244106	50	
MSB 2,5-F	3244041	50	
MSB 2,5-F BU	3244054	50	

Ordering data			
Type	I _{max.}	Order No.	Pcs. / Pkt.
MSDB 2,5-M		3244258	50
MSDB 2,5-M BU		3244261	50
MSDB 2,5-M OG		3244287	50
MSDB 2,5-M YE		3244290	50
MSDB 2,5-F		3244232	50
MSDB 2,5-F BU		3244245	50

Accessories ²⁾		
Cover , width 4 mm	gray	D-MZB 1,5
	blue	D-MZB 1,5 BU
Cover , with flange, width 9.9 mm	gray	D-MZB 1,5-F
	blue	D-MZB 1,5-F BU
Insertion bridge , fully insulated	2	gray
Screwdriver		SZF 1-0,6X3,5
Center groove labeling		UC-TMF 5, UCT-TMF 5 or ZBF 5 (see Catalog 5)

Accessories ²⁾		
D-MZB 1,5	3024177	50
D-MZB 1,5 BU	3024423	50
D-MZB 1,5-F	3024180	50
D-MZB 1,5-F BU	3024449	50
ESB 2-MZDB	24 A	3029703
SZF 1-0,6X3,5		1204517
UC-TMF 5, UCT-TMF 5 or ZBF 5		1204517
UC-TMF 5, UCT-TMF 5 or ZBF 5		1204517

Accessories ²⁾		
D-MZB 1,5	3024177	50
D-MZB 1,5 BU	3024423	50
D-MZB 1,5-F	3024180	50
D-MZB 1,5-F BU	3024449	50
ESB 2-MZDB	24 A	3029703
SZF 1-0,6X3,5		1204517
UC-TMF 5, UCT-TMF 5 or ZBF 5		1204517
UC-TMF 5, UCT-TMF 5 or ZBF 5		1204517

MS(D)B 2,5 mini feed-through terminal blocks, for direct mounting with engagement pin

- The MS(D)B 2,5 RZ engagement pin versions can be directly snapped onto pre-drilled base plates
- Can be freely combined with MS(D)B 2,5-M middle terminal blocks

Notes:
1) The total current of all connected conductors must not exceed the max. load current.
2) For installation notes on the use of accessories for Ex e applications, see page 710.



2.5 (4) mm², 30 A, feed-through terminal block, with engagement pin

2.5 (4) mm², 30 A, feed-through terminal block, 4 connections, with engagement pin



Ex: PTB 08ATEX1075U / IECEx PTB 08.0048U



Ex: PTB 08ATEX1075U / IECEx PTB 08.0048U

Dimensions					
		[mm]			
Max. electrical data					
Rated data					
Rated voltage	[V]	800	600	600	550
Nominal current / cross section	[A] / [mm ²]	24 / 2.5	20 / -	20 / -	22 / 2.5 // 28 / 4
Rated cross section	[mm ²]	2.5	-	-	2.5
Cross section range	AWG	28 - 12	28-12	28-12	28 - 12
Connection capacity					
1 conductor	[mm ²]	0.08 - 4	0.08 - 2.5	0.14 - 2.5	0.14 - 2.5
Two stranded conductors with a TWIN ferrule	[mm ²]				0.5
General data					
Plate thickness	[mm]	0.6 - 1.5			
Hole diameter	[mm]	3.5			
Drill hole spacing	[mm]	5.2			
Stripping length	[mm]	8			
Insulating material		PA			
Inflammability class according to UL 94		V0			

Technical data				
Width	Length	Height		
5.2	32	22		
I _{max} [A]	U _{max} [V]	max. Ø [mm ²]	AWG	
30	800	0.08 - 4	28 - 12	
IEC 60947-7-1		Ex		
IEC	UL/CUL	CSA	IEC/EN 60079-7	
800	600	600	550	
24 / 2.5	20 / -	20 / -	22 / 2.5 // 28 / 4	
2.5	-	-	2.5	
28 - 12	28-12	28-12	28 - 12	
Connection capacity		Ferrule		
		Without / with plastic sleeve		
1 conductor	[mm ²]	0.08 - 4	0.08 - 2.5	0.14 - 2.5
Two stranded conductors with a TWIN ferrule	[mm ²]			0.5
General data		Without / with plastic sleeve		
Plate thickness	[mm]	0.6 - 1.5		
Hole diameter	[mm]	3.5		
Drill hole spacing	[mm]	5.2		
Stripping length	[mm]	8		
Insulating material		PA		
Inflammability class according to UL 94		V0		

Technical data				
Width	Length	Height		
10.4	32	22		
I _{max} [A]	U _{max} [V]	max. Ø [mm ²]	AWG	
30 ¹⁾	800	0.08 - 4	28 - 12	
IEC 60947-7-1		Ex		
IEC	UL/CUL	CSA	IEC/EN 60079-7	
800	600	600	550	
24 ¹⁾ / 2.5	20 / -	20 / -	22 / 2.5 // 28 / 4	
2.5	-	-	2.5	
28 - 12	28-12	28-12	28 - 12	
Connection capacity		Ferrule		
		Without / with plastic sleeve		
1 conductor	[mm ²]	0.08 - 4	0.08 - 2.5	0.14 - 2.5
Two stranded conductors with a TWIN ferrule	[mm ²]			0.5
General data		Without / with plastic sleeve		
Plate thickness	[mm]	0.6 - 1.5		
Hole diameter	[mm]	3.5		
Drill hole spacing	[mm]	10.3		
Stripping length	[mm]	8		
Insulating material		PA		
Inflammability class according to UL 94		V0		

Description	No. of pos.	Color
Mini terminal block , for direct mounting using engagement pins		gray
		blue
		orange
		yellow
Double mini terminal block , with four terminal points having the same potential, for direct mounting with an engagement pin		gray
		blue
		orange
		yellow

Ordering data			
Type	Order No.	Pcs. / Pkt.	
MSB 2,5-RZ	3244164	50	
MSB 2,5-RZ BU	3244177	50	
MSB 2,5-RZ OG	3244193	50	
MSB 2,5-RZ YE	3244203	50	

Ordering data			
Type	I _{max}	Order No.	Pcs. / Pkt.
MSDB 2,5-RZ		3244339	50
MSDB 2,5-RZ BU		3244342	50
MSDB 2,5-RZ OG		3244368	50
MSDB 2,5-RZ YE		3244371	50

Cover , width 4 mm	gray
Insertion bridge , fully insulated	blue
Screwdriver	2 gray
Center groove labeling	

Accessories ²⁾			
D-MZB 1,5	3024177	50	
D-MZB 1,5 BU	3024423	50	
SZF 1-0,6X3,5	1204517	10	
UC-TMF 5, UCT-TMF 5 or ZBF 5 (see Catalog 5)			

Accessories ²⁾			
D-MZB 1,5	3024177	50	
D-MZB 1,5 BU	3024423	50	
ESB 2-MZDB	24 A	3029703	10
SZF 1-0,6X3,5		1204517	10
UC-TMF 5, UCT-TMF 5 or ZBF 5 (see Catalog 5)			

Modular terminal blocks - CLIPLINE complete

ST spring-cage connection terminal blocks

MS(D)BV 2,5 mini feed-through terminal blocks, for mounting on NS 15 DIN rails



- Thanks to the lateral conductor connection, especially suitable for mounting locations with low installation height
- The terminal block can be actuated from the side as well as from the front using a standard screwdriver
- For mounting on NS 15 ... DIN rails

Notes:

1) The total current of all connected conductors must not exceed the max. load current.



2.5 (4) mm², 30 A, lateral conductor entry, feed-through terminal block



Technical data

Dimensions	[mm]
Max. electrical data	
Rated data	
Rated voltage	[V]
Nominal current / cross section	[A] / [mm ²]
Rated cross section	[mm ²]
Cross section range	AWG
Connection capacity	
1 conductor	[mm ²]
Two stranded conductors with a TWIN ferrule	[mm ²]
General data	
Stripping length	[mm]
Insulating material	
Inflammability class according to UL 94	

Width	Length	Height NS 15	
5.2	32	30	
I _{max} [A]	U _{max} [V]	max. Ø [mm ²]	AWG
30	800	0.08 - 4	28 - 12
IEC 60947-7-1			
IEC	UL/CUL	CSA	IEC/EN 60079-7
800	600	600	-
24 / 2.5	20 / -	20 / -	-
2.5	-	-	-
28 - 12	28-12	28-12	-
Connection capacity		Ferrule	
solid	stranded	Without / with plastic sleeve	
0.08 - 4	0.08 - 2.5	0.14 - 2.5	0.14 - 2.5
			0.5
8	PA	V0	

Description	Color
Mini terminal block , with lateral conductor entry, for mounting on NS 15	gray
	blue
	orange
	yellow
Double miniature terminal block , with 4 equipotential terminal points, with lateral conductor entry, for direct mounting on NS 15	gray
	blue
	orange
	yellow

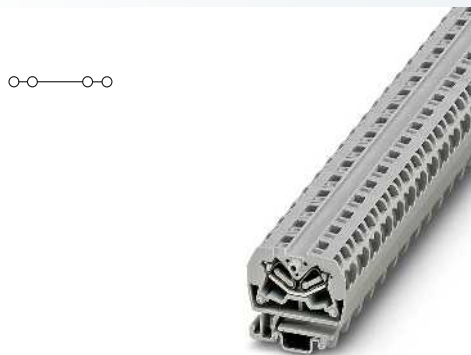
Cover , width 4 mm	gray
Screwdriver	
Center groove labeling	

Ordering data

Type	Order No.	Pcs. / Pkt.
MSBV 2,5	3249017	50
MSBV 2,5 BU	3249020	50
MSBV 2,5 OG	3073157	50
MSBV 2,5 YE	3073144	50

Accessories

D-MSBV 2,5	3251018	50
SZF 1-0,6X3,5	1204517	10
UC-TMF 5, UCT-TMF 5 or ZBF 5 (see Catalog 5)		



2.5 (4) mm², 30 A, lateral conductor entry,
feed-through terminal block, 4 connections



Technical data

Width	Length	Height NS 15	
10.4	32	30	
I_{max} [A]	U_{max} [V]	max. Ø [mm ²]	AWG
30*)	800	0.08 - 4	28 - 12
IEC 60947-7-1			
IEC	UL/CUL	CSA	IEC/ EN 60079-7
800	600	600	-
24*) / 2.5	20 / -	20 / -	-
2.5	-	-	-
28 - 12	28-12	28-12	-
solid	stranded	Ferrule	
		Without / with plastic sleeve	
0.08 - 4	0.08 - 2.5	0.14 - 2.5	0.14 - 2.5 0.5

8
PA
V0

Ordering data

Type	Order No.	Pcs. / Pkt.
MSDBV 2,5	3249143	50
MSDBV 2,5 BU	3249156	50
MSDBV 2,5 OG	3073173	50
MSDBV 2,5 YE	3073160	50

Accessories

D-MSBV 2,5	3251018	50
SZF 1-0,6X3,5	1204517	10
UC-TMF 5, UCT-TMF 5 or ZBF 5 (see Catalog 5)		

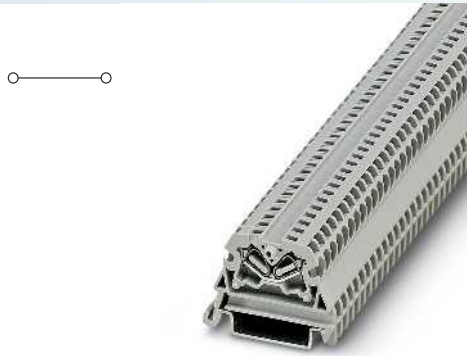
Modular terminal blocks - CLIPLINE complete

ST spring-cage connection terminal blocks

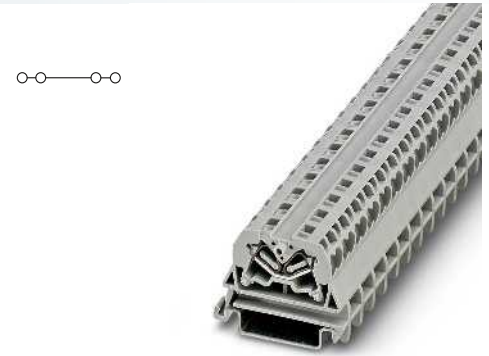
MS(D)BV 2,5 mini feed-through terminal blocks, for mounting on NS 35 DIN rails

- For mounting on NS 35 ... DIN rails
- Same advantages as the version for NS 15 ... DIN rails

Notes:
 1) The total current of all connected conductors must not exceed the max. load current.



2.5 (4) mm², 30 A, lateral conductor entry, feed-through terminal block



2.5 (4) mm², 30 A, lateral conductor entry, feed-through terminal block, 4 connections



Dimensions	
	[mm]
Max. electrical data	
Rated voltage	[V]
Nominal current / cross section	[A] / [mm ²]
Rated cross section	[mm ²]
Cross section range	AWG
Connection capacity	
1 conductor	[mm ²]
Two stranded conductors with a TWIN ferrule	[mm ²]
General data	
Stripping length	[mm]
Insulating material	
Inflammability class according to UL 94	

Technical data				
Width	Length	Height NS 35/7,5		
5.2	42.7	32		
I _{max.} [A]	U _{max.} [V]	max. Ø [mm ²]	AWG	
30	800	0.08 - 4	28 - 12	
IEC 60947-7-1				
IEC	UL/CUL	CSA	IEC/EN 60079-7	
800	600	600	-	
24 / 2.5	20 / -	20 / -	-	
2.5	-	-	-	
28 - 12	28-12	28-12	-	
Connection capacity				
	solid	stranded	Ferrule	
			Without / with plastic sleeve	
1 conductor	0.08 - 4	0.08 - 2.5	0.14 - 2.5	0.14 - 2.5
Two stranded conductors with a TWIN ferrule			0.5	
General data				
Stripping length	8			
Insulating material	PA			
Inflammability class according to UL 94	V0			

Technical data				
Width	Length	Height NS 35/7,5		
10.4	42.7	32		
I _{max.} [A]	U _{max.} [V]	max. Ø [mm ²]	AWG	
30 ¹⁾	800	0.08 - 4	28 - 12	
IEC 60947-7-1				
IEC	UL/CUL	CSA	IEC/EN 60079-7	
800	600	600	-	
24 ¹⁾ / 2.5	20 / -	20 / -	-	
2.5	-	-	-	
28 - 12	28-12	28-12	-	
Connection capacity				
	solid	stranded	Ferrule	
			Without / with plastic sleeve	
1 conductor	0.08 - 4	0.08 - 2.5	0.14 - 2.5	0.14 - 2.5
Two stranded conductors with a TWIN ferrule			0.5	
General data				
Stripping length	8			
Insulating material	PA			
Inflammability class according to UL 94	V0			

Description		Color
Mini terminal block , with lateral conductor entry, for mounting on NS 35		gray
		blue
		orange
		yellow
Double miniature terminal block , with 4 equipotential terminal points, with lateral conductor entry, for direct mounting on NS 35		gray
		blue
		orange
		yellow

Ordering data			
Type	Order No.	Pcs. / Pkt.	
MSBV 2,5-NS 35	3249088	50	
MSBV 2,5-NS 35 BU	3249091	50	
MSBV 2,5-NS 35 OG	3073199	50	
MSBV 2,5-NS 35 YE	3073186	50	

Ordering data		
Type	Order No.	Pcs. / Pkt.
MSDBV 2,5-NS 35	3249211	50
MSDBV 2,5-NS 35 BU	3249224	50
MSDBV 2,5-NS 35 OG	3073212	50
MSDBV 2,5-NS 35 YE	3073209	50

Accessories	
Cover , width 4 mm	gray
Screwdriver	
Center groove labeling	

Accessories		
Order No.	Pcs. / Pkt.	
D-MSBV 2,5	3251018	50
SZF 1-0,6X3,5	1204517	10
UC-TMF 5, UCT-TMF 5 or ZBF 5 (see Catalog 5)		

Accessories		
Order No.	Pcs. / Pkt.	
D-MSBV 2,5	3251018	50
SZF 1-0,6X3,5	1204517	10
UC-TMF 5, UCT-TMF 5 or ZBF 5 (see Catalog 5)		

MS(D)BV 2,5 mini feed-through terminal blocks, for direct mounting with flange

– MS(D)BV 2,5-M middle terminal blocks can be mounted directly on a mounting plate in conjunction with the MS(D)BV 2,5-F flange terminal block and the D-MZBV 2,5-F flange end cover

Notes:
 1) The total current of all connected conductors must not exceed the max. load current.



2.5 (4) mm², 30 A, feed-through terminal block, for grouping



2.5 (4) mm², 30 A, feed-through terminal block, 4 connections, for grouping



Dimensions		[mm]	
Max. electrical data			
Rated data			
Rated voltage	[V]	800	
Nominal current / cross section	[A] / [mm ²]	24 / 2.5	
Rated cross section	[mm ²]	2.5	
Cross section range	AWG	28 - 12	
Connection capacity			
1 conductor	[mm ²]	0.08 - 4	
Two stranded conductors with a TWIN ferrule	[mm ²]	0.08 - 2.5	
General data			
Stripping length	[mm]	8	
Insulating material		PA	
Inflammability class according to UL 94		V0	

Technical data				
Width	Length	Height		
5.2	32	22		
I _{max.} [A]	U _{max.} [V]	max. Ø [mm ²]	AWG	
30	800	0.08 - 4	28 - 12	
IEC 60947-7-1				
IEC	UL/CUL	CSA	IEC/EN 60079-7	
Rated voltage	[V]	600	-	
Nominal current / cross section	[A] / [mm ²]	20 / -	-	
Rated cross section	[mm ²]	-	-	
Cross section range	AWG	28 - 12	-	
Connection capacity		Ferrule		
		Without / with plastic sleeve		
1 conductor	[mm ²]	0.08 - 4	0.08 - 2.5	0.14 - 2.5
Two stranded conductors with a TWIN ferrule	[mm ²]			0.5
General data				
Stripping length	[mm]	8		
Insulating material		PA		
Inflammability class according to UL 94		V0		

Technical data				
Width	Length	Height		
10.4	32	22		
I _{max.} [A]	U _{max.} [V]	max. Ø [mm ²]	AWG	
30 ¹⁾	800	0.08 - 4	28 - 12	
IEC 60947-7-1				
IEC	UL/CUL	CSA	IEC/EN 60079-7	
Rated voltage	[V]	600	-	
Nominal current / cross section	[A] / [mm ²]	20 / -	-	
Rated cross section	[mm ²]	-	-	
Cross section range	AWG	28 - 12	-	
Connection capacity		Ferrule		
		Without / with plastic sleeve		
1 conductor	[mm ²]	0.08 - 4	0.08 - 2.5	0.14 - 2.5
Two stranded conductors with a TWIN ferrule	[mm ²]			0.5
General data				
Stripping length	[mm]	8		
Insulating material		PA		
Inflammability class according to UL 94		V0		

Description		Color
Mini middle terminal block , with lateral conductor entry, mounting in conjunction with flange and engagement pin versions		gray
		blue
		orange
		yellow
Mini flange terminal block , with lateral conductor entry, for direct mounting with screws		gray
		blue
		gray
Double miniature terminal block, middle terminal block , with 4 equipotential bonding terminal points, with lateral conductor entry, mounting in conjunction with flange and engagement pin variants		blue
		orange
		yellow
Double miniature terminal block, flange terminal block , with 4 equipotential bonding terminal points, with lateral conductor entry, for direct mounting with screws		gray
		blue

Ordering data			
Type	Order No.	Pcs. / Pkt.	
MSBV 2,5-M	3249062	50	
MSBV 2,5-M BU	3249075	50	
MSBV 2,5-M OG	3073238	50	
MSBV 2,5-M YE	3073225	50	
MSBV 2,5-F	3249059	50	
MSBV 2,5-F BU	3249046	50	

Ordering data			
Type	Order No.	Pcs. / Pkt.	
MSDBV 2,5-M	3249198	50	
MSDBV 2,5-M BU	3249208	50	
MSDBV 2,5-M OG	3073254	50	
MSDBV 2,5-M YE	3073241	50	
MSDBV 2,5-F	3249172	50	
MSDBV 2,5-F BU	3249185	50	

Accessories	
Cover, width 4 mm	gray
Flange cover, for direct mounting with screws	gray
Screwdriver	
Center groove labeling	

Accessories			
Type	Order No.	Pcs. / Pkt.	
D-MSBV 2,5	3251018	50	
D-MSBV 2,5-F	3251021	50	
SZF 1-0,6X3,5	1204517	10	
UC-TMF 5, UCT-TMF 5 or ZBF 5 (see Catalog 5)			

Accessories			
Type	Order No.	Pcs. / Pkt.	
D-MSBV 2,5	3251018	50	
D-MSBV 2,5-F	3251021	50	
SZF 1-0,6X3,5	1204517	10	
UC-TMF 5, UCT-TMF 5 or ZBF 5 (see Catalog 5)			



QT fast connection terminal blocks

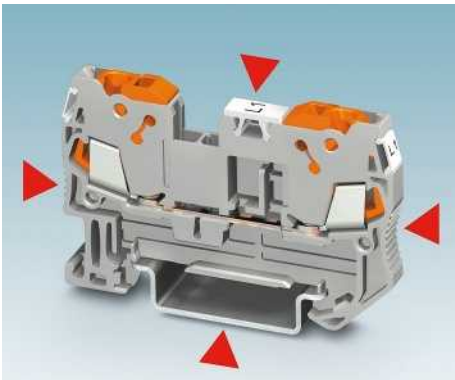
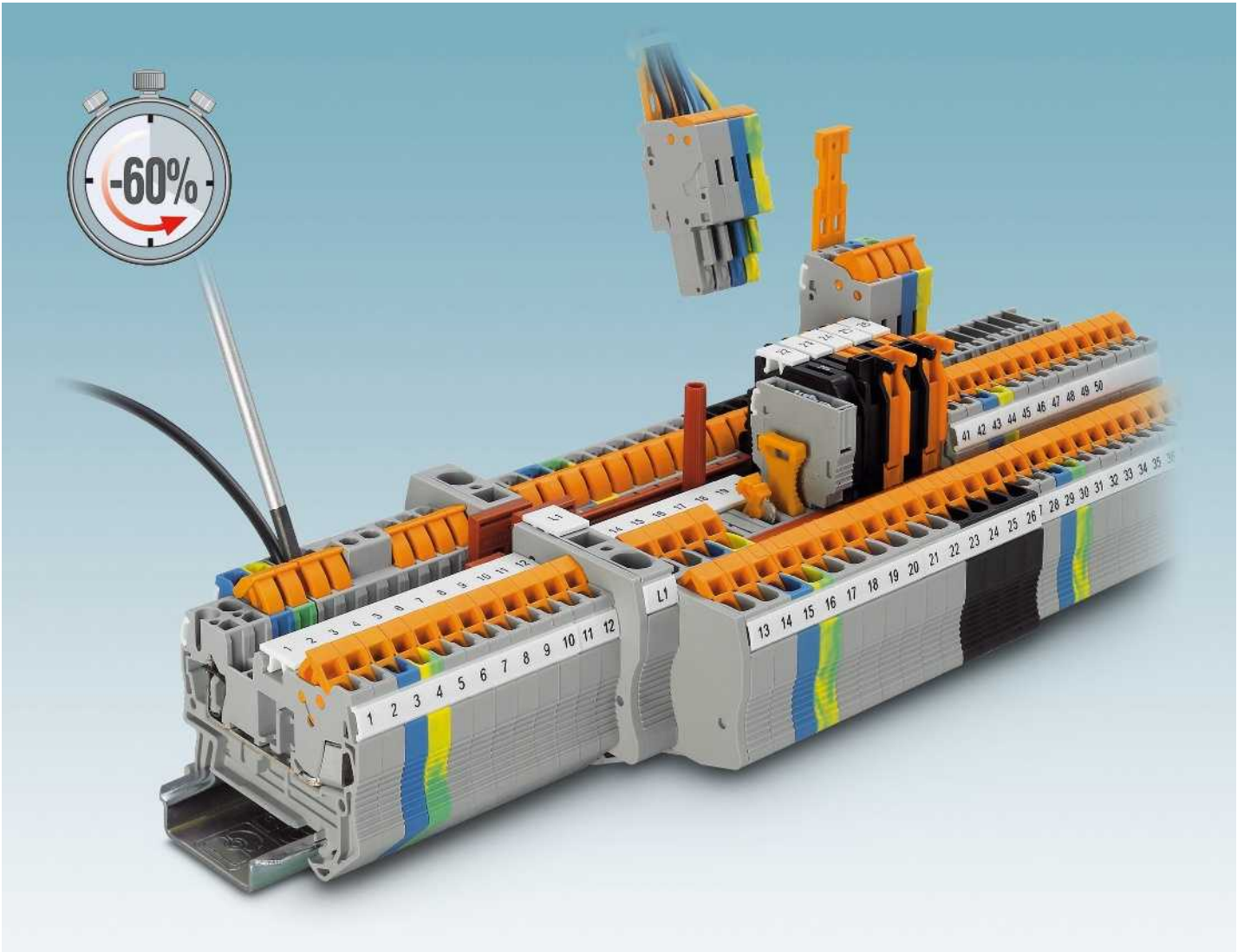
The use of QT fast connection terminal blocks can save up to 60 percent of the time required for wiring, since stripping and fitting splicing protection are no longer necessary. The cables just need to be cut to length for contact to be made in a matter of seconds. An important characteristic is the space-saving connection with patented insulation displacement contact.

The start and end positions of the conductor connection are clearly identified by engagement points. When a conductor is connected, the insulation is cut open, displaced, and the conductor is securely engaged in the end position where it makes extensive, gas-tight contact. Solid and stranded conductors from 0.25 to 2.5 mm² can be wired without aids such as guide ferrules.

The high quality of the QT fast connection terminal blocks is proven by the fact that this connection technology features various approvals and is certified under the standard for Ex e applications.

Product range overview

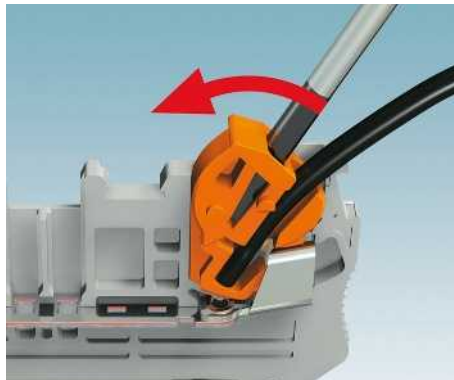
QT fast connection terminal blocks	306
Feed-through terminal blocks	308
Ground terminal blocks	310
Double-level terminal blocks	312
Lever-type fuse terminal blocks	314
Lever-type disconnect terminal block	315
Disconnect terminal blocks for accommodating function plugs	316
Knife disconnect terminal blocks	318
Hybrid feed-through terminal blocks with screw connection on one side	320
Hybrid feed-through terminal blocks with spring-cage connection on one side	324



Space-saving design

The QUICKON QT series is characterized by the IDC connection. This allows space to be saved without limiting the quality features in any way:

- Large-surface marking
- Maximum connection space
- Flexible plug-in bridge system



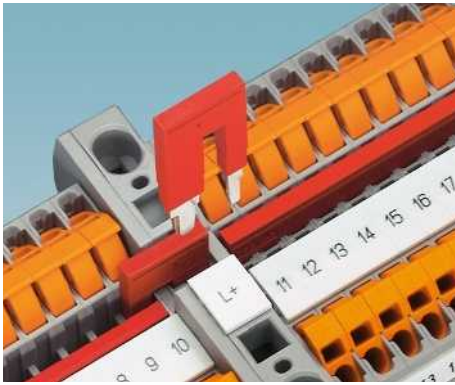
Cut to length, cut, and you're done!

Time savings of 60% and more compared with other connection systems. Stripping and fitting splicing protection is no longer necessary thanks to the QUICKON fast connection system. All that is needed is to cut the conductors to the correct length and they can then be contacted within seconds.

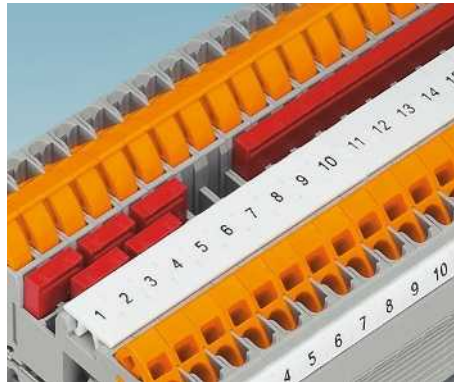


Powerful insulation displacement contact

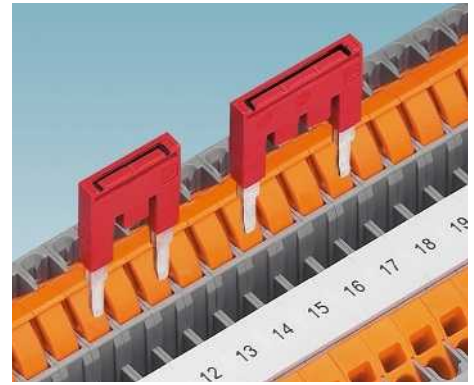
The 0.25 to 2.5 mm² conductor connection is provided by the patented insulation displacement contact. High-quality special alloys and latches for the switching states ensure safe electrical connections at all times. Large, spring-mounted contact points guarantee 24 A current-carrying capacity.



The reducing bridge enables time-saving and low-cost potential distribution when supplying large cross sections. The reducing bridge connects, e.g., an ST 10 terminal block to a QTC 1,5 or QTC 2,5.



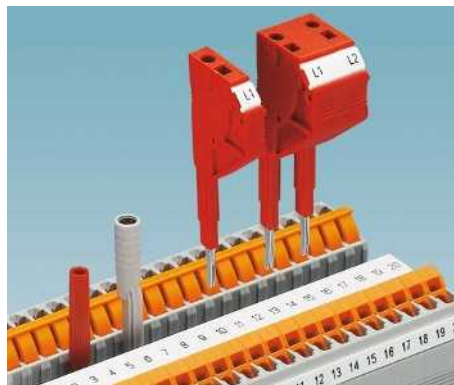
The double function shaft can be used to connect any number of terminal blocks with two-position bridges. The 2 to 50-pos. bridges allow up to 50 terminal blocks to be bridged in one step.



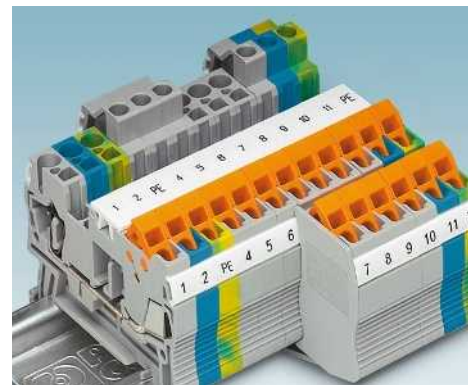
A jumping bridge is created by removing individual forks from the standard bridge. Two potentials can then be routed in parallel. There is scope for marking on the top of the bridge.



The P-FIX isolated feed-through connector, P-DI isolating plug, P-CO component plug, and P-FU cartridge fuse plug with 5.2 mm pitch can be used in the universal plug-in zone of the disconnect terminal block.



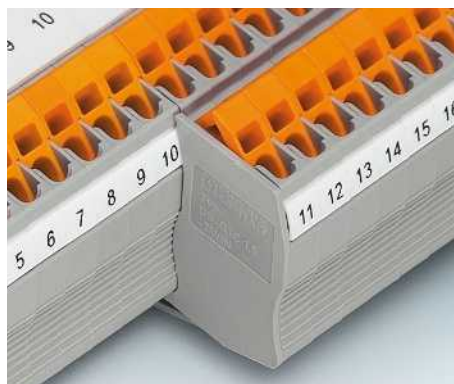
A test plug with a 2.3 mm diameter is available for measuring lines. All measurement and test work can be completed at speed using test adapters for 4 mm diameter test plugs and the modular test plugs.



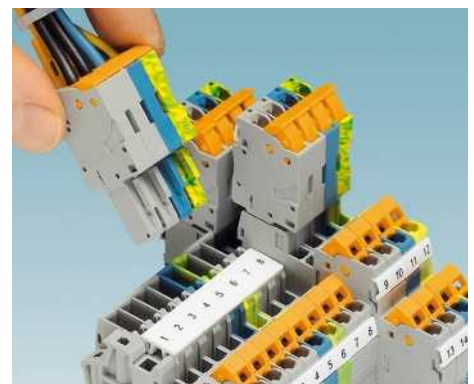
The hybrid versions combine the time-saving rapid connection method with the benefits of the screw or spring-cage method.



Lever-type fuse terminal blocks are also available to suit the function terminal blocks. The retentive fuse holders can be used in black housing with a micro fuse or in orange housing with a contact metal.



Cover segments are used to cover protruding terminal block segments of three or four-conductor terminal blocks, when adding two-conductor terminal blocks. Fingers are thereby protected from contact.



QT COMBI basic terminal blocks and plugs with fast connection are available for the plug-in configuration of signal wiring with fast connection. See "COMBI" section, page 329.

Modular terminal blocks - CLIPLINE complete

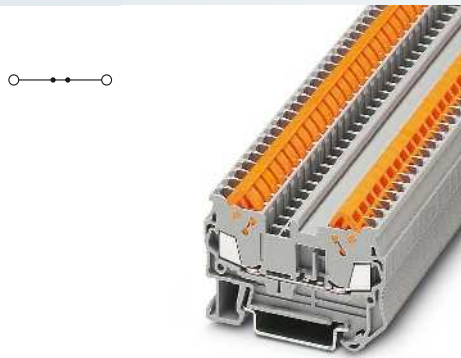
QT fast connection terminal blocks

QTC ... feed-through terminal blocks

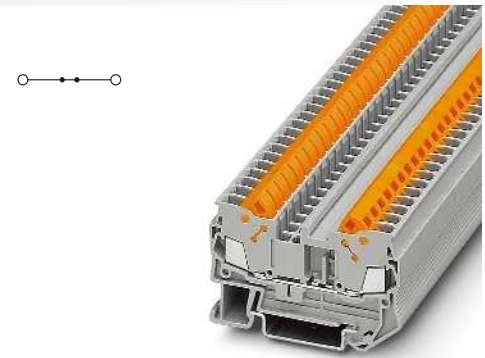
The QTC fast connection series is characterized by the system features of CLIPLINE complete and the following:

- Compact design
- The fastest conductor connection for signal and low-spectrum power wiring

Notes:
1) The total current of all connected conductors must not exceed the max. load current.
2) For installation notes on the use of accessories for Ex e applications, see page 710.



1.5 (1.5) mm², 17.5 A, feed-through terminal block



2.5 (2.5) mm², 24 A, feed-through terminal block

UL US PCG ABS R KR TUV ClassNK

Ex: Ex I Ex II KEMA 03ATEX2557U / IECEx KEM 07.0015U

Technical data				
Width	Length	Height NS 35/7,5		
5.2	58.8	39.3		
I _{max.} [A]	U _{max.} [V]	max. Ø [mm ²]	AWG	
17.5	800	0.25 - 1.5	24 - 16	
IEC 60947-7-1		Ex		
IEC	UL/CUL	CSA	IEC/EN 60079-7	
Rated voltage [V]	800	600	600	
Nominal current / cross section [A] / [mm ²]	17.5 / 1.5	10 / -	10 / -	
Rated cross section [mm ²]	1.5	-	1.5	
Cross section range AWG	24 - 16	24-16	24 - 16	
Connection cross section in acc. with DIN VDE 0295				
H05V(Z) / H07V(Z)	[mm ²] 0.5 - 1.5			
Class 5 / Class 6 [litz wires Ø ≥ 0.1 mm]	[mm ²] 0.25 - 0.34			
[Litz wires Ø ≥ 0.19 mm]	AWG 24 - 16			
Frequency of connections with the same cross section	100			

Dimensions		[mm]
Max. electrical data		
Rated data		
Rated voltage [V]	800	
Nominal current / cross section [A] / [mm ²]	17.5 / 1.5	
Rated cross section [mm ²]	1.5	
Cross section range AWG	24 - 16	
General data		
Insulating material	PA	
Inflammability class according to UL 94	V0	

UL US PCG ABS R ClassNK

Ex: Ex I Ex II KEMA 05ATEX2148 U / IECEx KEM 07.0010U

Technical data				
Width	Length	Height NS 35/7,5		
6.2	62.6	39.3		
I _{max.} [A]	U _{max.} [V]	max. Ø [mm ²]	AWG	
24	800	0.5 - 2.5	20 - 14	
IEC 60947-7-1		Ex		
IEC	UL/CUL	CSA	IEC/EN 60079-7	
Rated voltage [V]	800	600	600	
Nominal current / cross section [A] / [mm ²]	24 / 2.5	15 / -	15 / -	
Rated cross section [mm ²]	2.5	-	2.5	
Cross section range AWG	20 - 14	20-14	20 - 14	
Connection cross section in acc. with DIN VDE 0295				
H05V(Z) / H07V(Z)	[mm ²] 0.5 - 2.5			
Class 5 / Class 6 [litz wires Ø ≥ 0.1 mm]	[mm ²] -			
[Litz wires Ø ≥ 0.19 mm]	AWG 20 - 14			
Frequency of connections with the same cross section	100			

Description	No. of pos.	Color
Terminal block, for mounting on NS 35...		gray blue

Ordering data			
Type	I _{max.}	Order No.	Pcs. / Pkt.
QTC 1,5		3205019	50
QTC 1,5 BU		3205022	50

Ordering data			
Type	I _{max.}	Order No.	Pcs. / Pkt.
QTC 2,5		3206416	50
QTC 2,5 BU		3206429	50

Accessories ²⁾	No. of pos.	Color
Cover, width 2.2 mm		gray
End cover segment, for covering multi-conductor terminal blocks when two-conductor terminal blocks are aligned		gray
Plug-in bridge		
	2	red
	3	red
	4	red
	5	red
	10	red
	20	red
Partition plate, 2 mm width		gray
Test adapter, 4-mm test socket hole		gray
Test plug metal part, 2.3 mm Ø		
Insulating sleeve, for MPS metal part		red
Modular test plug, for the individual assembly of test plug strips		red
Screwdriver		
Double marker carrier, snaps into all terminal blocks with a width of 5.2 mm and a zack marker strip center groove, can be labeled with ZB 5 or ZBF 5		gray

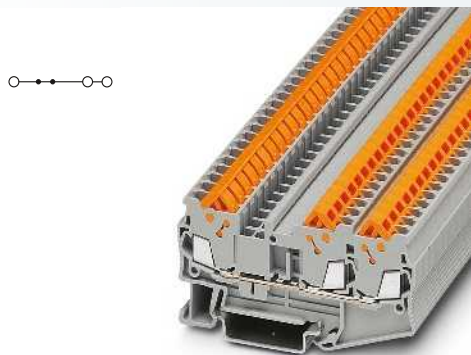
Accessories ²⁾			
Type	I _{max.}	Order No.	Pcs. / Pkt.
D-QTC 1,5		3205161	50
FBS 2-5	24 A	3030161	50
FBS 3-5	24 A	3030174	50
FBS 4-5	24 A	3030187	50
FBS 5-5	24 A	3030190	50
FBS 10-5	24 A	3030213	10
FBS 20-5	24 A	3030226	10
ATP-QTC		3206209	50
PAI-4-N GY		3032871	10
MPS-MT		0201744	10
MPS-IH RD		0201676	10
PS-5		3030983	10
SZF 1-0,6X3,5		1204517	10
STP 5-2-ZB		3037643	100

Accessories ²⁾			
Type	I _{max.}	Order No.	Pcs. / Pkt.
D-QTC 2,5		3206568	50
FBS 2-6	32 A	3030336	50
FBS 3-6	32 A	3030242	50
FBS 4-6	32 A	3030255	50
FBS 5-6	32 A	3030349	50
FBS 10-6	32 A	3030271	10
FBS 20-6	32 A	3030365	10
ATP-QTC		3206209	50
PAI-4-N GY		3032871	10
MPS-MT		0201744	10
MPS-IH RD		0201676	10
PS-6		3030996	10
SZF 1-0,6X3,5		1204517	10
STP 5-2-ZB		3037643	100

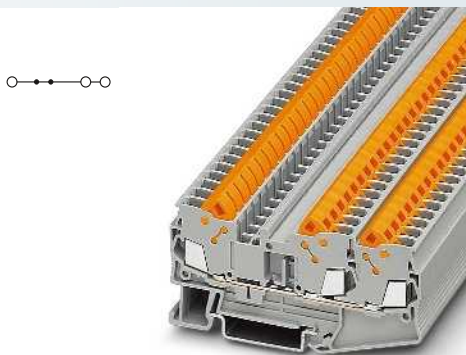
Center groove labeling
Center and lateral groove labeling

UC-TM 5, UCT-TM 5 or ZB 5 (see Catalog 5)
UC-TMF 5, UCT-TMF 5 or ZBF 5 (see Catalog 5)

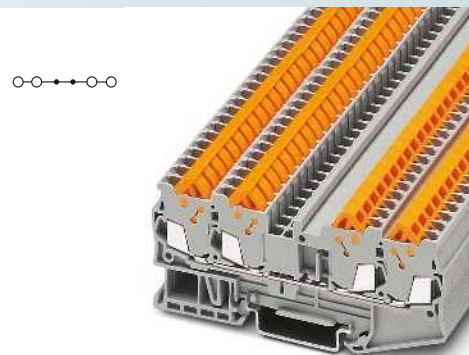
UC-TM 6, UCT-TM 6 or ZB 6 (see Catalog 5)
UC-TMF 6, UCT-TMF 6 or ZBF 6 (see Catalog 5)



1.5 (1.5) mm², 17.5 A, feed-through terminal block, 3 connections



2.5 (2.5) mm², 24 A, feed-through terminal block, 3 connections



1.5 (1.5) mm², 17.5 A, feed-through terminal block, 4 connections

UL US PC ABS B KR Lbook Register ClassNK

Ex: KEMA 03ATEX2557U / IECEx KEM 07.0015U

UL US PC ABS B ClassNK

Ex: KEMA 05ATEX2148 U / IECEx KEM 07.0010U

UL US PC ABS B KR Lbook Register ClassNK

Ex: KEMA 03ATEX2557U / IECEx KEM 07.0015U

Technical data			
Width	Length	Height NS 35/7,5	
5.2	76.4	39.3	
I _{max} [A]	U _{max} [V]	max. Ø [mm ²]	AWG
17.5 ¹⁾	800	0.25 - 1.5	24 - 16
IEC 60947-7-1			
IEC	UL/CUL	CSA	IEC/EN 60079-7
800	600	600	550
17.5 / 1.5	10 / -	10 / -	16 / 1.5 // 16 / 1.5
1.5	-	-	1.5
24 - 16	24-16	24-16	24 - 16
0.5 - 1.5			
0.25 - 0.34			
24 - 16			
100			

Technical data			
Width	Length	Height NS 35/7,5	
6.2	82.5	39.3	
I _{max} [A]	U _{max} [V]	max. Ø [mm ²]	AWG
24 ¹⁾	800	0.5 - 2.5	20 - 14
IEC 60947-7-1			
IEC	UL/CUL	CSA	IEC/EN 60079-7
800	600	600	550
24 / 2.5	15 / -	15 / -	22.5 / 2.5 // 22.5 / 2.5
2.5	-	-	2.5
20 - 14	20-14	20-14	20 - 14
0.5 - 2.5			
-			
20 - 14			
100			

Technical data			
Width	Length	Height NS 35/7,5	
5.2	94	39.3	
I _{max} [A]	U _{max} [V]	max. Ø [mm ²]	AWG
17.5 ¹⁾	800	0.25 - 1.5	24 - 16
IEC 60947-7-1			
IEC	UL/CUL	CSA	IEC/EN 60079-7
800	600	600	550
17.5 / 1.5	10 / -	10 / -	16 / 1.5 // 16 / 1.5
1.5	-	-	1.5
24 - 16	24-16	24-16	24 - 16
0.5 - 1.5			
0.25 - 0.34			
24 - 16			
100			

PA
V0

PA
V0

PA
V0

Ordering data			
Type	I _{max}	Order No.	Pcs. / Pkt.
QTC 1,5-TWIN		3205048	50
QTC 1,5-TWIN BU		3205051	50

Ordering data			
Type	I _{max}	Order No.	Pcs. / Pkt.
QTC 2,5-TWIN		3206445	50
QTC 2,5-TWIN BU		3206461	50

Ordering data			
Type	I _{max}	Order No.	Pcs. / Pkt.
QTC 1,5-QUATTRO		3205077	50
QTC 1,5-QUATTRO BU		3205080	50

Accessories ²⁾			
D-QTC 1,5-TWIN		3205190	50
DS-QTC 1,5		3205200	50
FBS 2-5	24 A	3030161	50
FBS 3-5	24 A	3030174	50
FBS 4-5	24 A	3030187	50
FBS 5-5	24 A	3030190	50
FBS 10-5	24 A	3030213	10
FBS 20-5	24 A	3030226	10
ATP-QTC TWIN		3206212	50
PAI-4-N GY		3032871	10
MPS-MT		0201744	10
MPS-IH RD		0201676	10
PS-5		3030983	10
SZF 1-0,6X3,5		1204517	10
STP 5-2-ZB		3037643	100

Accessories ²⁾			
D-QTC 2,5-TWIN		3206571	50
DS-QTC 2,5		3206607	50
FBS 2-6	32 A	3030336	50
FBS 3-6	32 A	3030242	50
FBS 4-6	32 A	3030255	50
FBS 5-6	32 A	3030349	50
FBS 10-6	32 A	3030271	10
FBS 20-6	32 A	3030365	10
ATP-QTC TWIN		3206212	50
PAI-4-N GY		3032871	10
MPS-MT		0201744	10
MPS-IH RD		0201676	10
PS-6		3030996	10
SZF 1-0,6X3,5		1204517	10
STP 5-2-ZB		3037643	100

Accessories ²⁾			
D-QTC 1,5-QUATTRO		3205174	50
DS-QTC 1,5		3205200	50
FBS 2-5	24 A	3030161	50
FBS 3-5	24 A	3030174	50
FBS 4-5	24 A	3030187	50
FBS 5-5	24 A	3030190	50
FBS 10-5	24 A	3030213	10
FBS 20-5	24 A	3030226	10
ATP-QTC QUATTRO		3206225	50
PAI-4-N GY		3032871	10
MPS-MT		0201744	10
MPS-IH RD		0201676	10
PS-5		3030983	10
SZF 1-0,6X3,5		1204517	10
STP 5-2-ZB		3037643	100

UC-TM 5, UCT-TM 5 or ZB 5
(see Catalog 5)
UC-TMF 5, UCT-TMF 5 or ZBF 5
(see Catalog 5)

UC-TM 6, UCT-TM 6 or ZB 6
(see Catalog 5)
UC-TMF 6, UCT-TMF 6 or ZBF 6
(see Catalog 5)

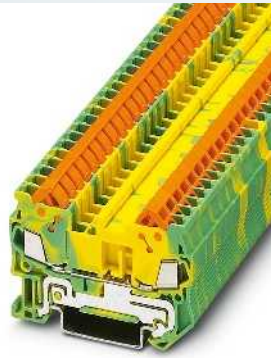
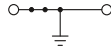
UC-TM 5, UCT-TM 5 or ZB 5
(see Catalog 5)
UC-TMF 5, UCT-TMF 5 or ZBF 5
(see Catalog 5)

Modular terminal blocks - CLIPLINE complete

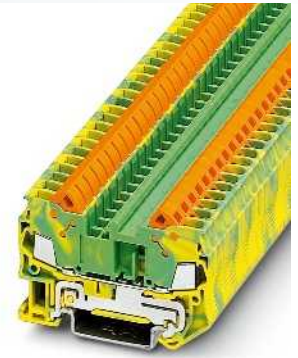
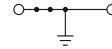
QT fast connection terminal blocks

QTC ...-PE ground terminal blocks

- Same shape and pitch as the feed-through terminal blocks
- Contact is made free from mechanical and electrical errors by simply snapping onto the DIN rail
- All the requirements of standard IEC 60947-7-2 are met



1.5 (1.5) mm², ground terminal block



2.5 (2.5) mm², ground terminal block

Notes:
 For current carrying capacity of DIN rails, see page 716.
 1) For installation notes on the use of accessories for Ex e applications, see page 710.

Ex: KEMA 03ATEX2557U / IECEx KEM 07.0015U

Technical data				
Width	Length	Height NS 35/7,5		
5.2	58.8	39.3		
Max. electrical data		max. Ø [mm ²]	AWG	
		0.25 - 1.5	24 - 16	
IEC 60947-7-2				
IEC	UL/CUL	CSA	IEC/EN 60079-7	
Rated data				
Rated voltage	[V]	-	-	-
Nominal current / cross section	[A] / [mm ²]	-	-	-
Rated cross section	[mm ²]	1.5	-	1.5
Cross section range	AWG	24 - 16	24-16	24 - 16
Connection cross section in acc. with DIN VDE 0295				
H05V(Z) / H07V(Z)	[mm ²]	0.5 - 1.5		
Class 5 / Class 6 [litz wires Ø ≥ 0.1 mm]	[mm ²]	0.25 - 0.34		
[Litz wires Ø ≥ 0.19 mm]	AWG	24 - 16		
Frequency of connections with the same cross section		100		
General data				
Insulating material		PA		
Inflammability class according to UL 94		V0		

Ex: KEMA 05ATEX2148 U / IECEx KEM 07.0010U

Technical data				
Width	Length	Height NS 35/7,5		
6.2	62.6	39.3		
Max. electrical data		max. Ø [mm ²]	AWG	
		0.5 - 2.5	20 - 14	
IEC 60947-7-2				
IEC	UL/CUL	CSA	IEC/EN 60079-7	
Rated data				
Rated voltage	[V]	-	-	-
Nominal current / cross section	[A] / [mm ²]	-	-	-
Rated cross section	[mm ²]	2.5	-	2.5
Cross section range	AWG	20 - 14	20-14	20 - 14
Connection cross section in acc. with DIN VDE 0295				
H05V(Z) / H07V(Z)	[mm ²]	0.5 - 2.5		
Class 5 / Class 6 [litz wires Ø ≥ 0.1 mm]	[mm ²]	-		
[Litz wires Ø ≥ 0.19 mm]	AWG	20 - 14		
Frequency of connections with the same cross section		100		
General data				
Insulating material		PA		
Inflammability class according to UL 94		V0		

Ordering data		
Description	No. of pos.	Color
Ground terminal block, for mounting on NS 35...		green-yellow

Ordering data		
Type	Order No.	Pcs. / Pkt.
QTC 1,5-PE	3205035	50

Ordering data		
Type	Order No.	Pcs. / Pkt.
QTC 2,5-PE	3206432	50

Accessories ¹⁾		
Cover, width 2.2 mm	gray	
End cover segment, for covering multi-conductor terminal blocks when two-conductor terminal blocks are aligned	gray	
Plug-in bridge		
2	red	
3	red	
4	red	
5	red	
10	red	
20	red	
Partition plate, 2 mm width	gray	
Test adapter, 4-mm test socket hole	gray	
Test plug metal part, 2.3 mm Ø		
Insulating sleeve, for MPS metal part	red	
Modular test plug, for the individual assembly of test plug strips	red	
Screwdriver		
Double marker carrier, snaps into all terminal blocks with a width of 5.2 mm and a zack marker strip center groove, can be labeled with ZB 5 or ZBF 5	gray	

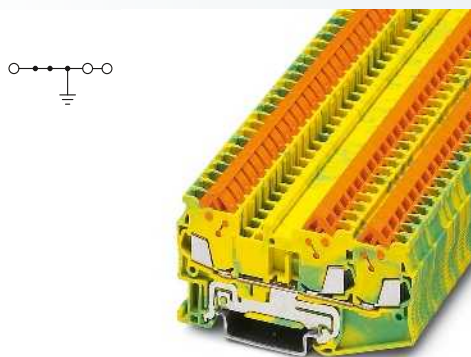
Accessories ¹⁾		
D-QTC 1,5	3205161	50
FBS 2-5	3030161	50
FBS 3-5	3030174	50
FBS 4-5	3030187	50
FBS 5-5	3030190	50
FBS 10-5	3030213	10
FBS 20-5	3030226	10
ATP-QTC	3206209	50
PAI-4-N GY	3032871	10
MPS-MT	0201744	10
MPS-IH RD	0201676	10
PS-5	3030983	10
SZF 1-0,6X3,5	1204517	10
STP 5-2-ZB	3037643	100

Accessories ¹⁾		
D-QTC 2,5	3206568	50
FBS 2-6	3030336	50
FBS 3-6	3030242	50
FBS 4-6	3030255	50
FBS 5-6	3030349	50
FBS 10-6	3030271	10
FBS 20-6	3030365	10
ATP-QTC	3206209	50
PAI-4-N GY	3032871	10
MPS-MT	0201744	10
MPS-IH RD	0201676	10
PS-6	3030996	10
SZF 1-0,6X3,5	1204517	10
STP 5-2-ZB	3037643	100

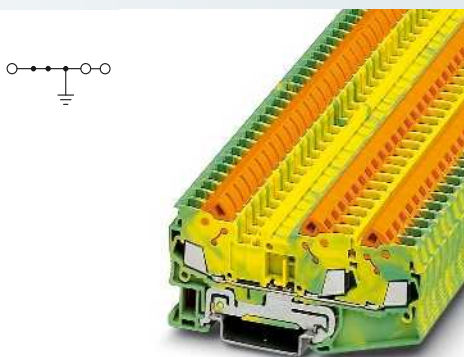
Center groove labeling	
Center and lateral groove labeling	

UC-TM 5, UCT-TM 5 or ZB 5 (see Catalog 5)
UC-TMF 5, UCT-TMF 5 or ZBF 5 (see Catalog 5)

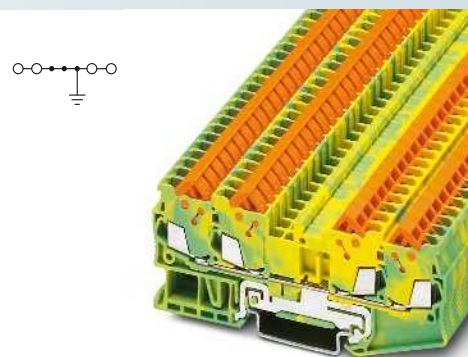
UC-TM 6, UCT-TM 6 or ZB 6 (see Catalog 5)
UC-TMF 6, UCT-TMF 6 or ZBF 6 (see Catalog 5)



1.5 (1.5) mm², ground terminal block,
3 connections



2.5 (2.5) mm², ground terminal block,
3 connections



1.5 (1.5) mm², ground terminal block,
4 connections

UL US PC ABS KR ClassNK

Ex: KEMA 03ATEX2557U / IECEx KEM 07.0015U

UL US PC ABS KR ClassNK

Ex: KEMA 05ATEX2148 U / IECEx KEM 07.0010U

UL US PC ABS KR ClassNK

Ex: KEMA 03ATEX2557U / IECEx KEM 07.0015U

Technical data			
Width	Length	Height NS 35/7,5	
5.2	76.4	39.3	
		max. Ø [mm ²]	AWG
		0.25 - 1.5	24 - 16
IEC 60947-7-2			
IEC	UL/CUL	CSA	IEC/EN 60079-7
-	-	-	-
-	-/-	-	-
1.5	-	-	1.5
24 - 16	24-16	24-16	24 - 16
0.5 - 1.5			
0.25 - 0.34			
24 - 16			
100			

Technical data			
Width	Length	Height NS 35/7,5	
6.2	82.5	39.3	
		max. Ø [mm ²]	AWG
		0.5 - 2.5	20 - 14
IEC 60947-7-2			
IEC	UL/CUL	CSA	IEC/EN 60079-7
-	-	-	-
-	-/-	-	-
2.5	-	-	2.5
20 - 14	20-14	20-14	20 - 14
0.5 - 2.5			
-			
20 - 14			
100			

Technical data			
Width	Length	Height NS 35/7,5	
5.2	94	39.3	
		max. Ø [mm ²]	AWG
		0.25 - 1.5	24 - 16
IEC 60947-7-2			
IEC	UL/CUL	CSA	IEC/EN 60079-7
-	-	-	-
-	-/-	-	-
1.5	-	-	1.5
24 - 16	24-16	24-16	24 - 16
0.5 - 1.5			
0.25 - 0.34			
24 - 16			
100			

PA
V0

PA
V0

PA
V0

Ordering data		
Type	Order No.	Pcs. / Pkt.
QTC 1,5-TWIN-PE	3205064	50

Ordering data		
Type	Order No.	Pcs. / Pkt.
QTC 2,5-TWIN-PE	3206474	50

Ordering data		
Type	Order No.	Pcs. / Pkt.
QTC 1,5-QUATTRO-PE	3205093	50

Accessories ¹⁾		
D-QTC 1,5-TWIN	3205190	50
DS-QTC 1,5	3205200	50
FBS 2-5	3030161	50
FBS 3-5	3030174	50
FBS 4-5	3030187	50
FBS 5-5	3030190	50
FBS 10-5	3030213	10
FBS 20-5	3030226	10
ATP-QTC TWIN	3206212	50
PAI-4-N GY	3032871	10
MPS-MT	0201744	10
MPS-IH RD	0201676	10
PS-5	3030983	10
SZF 1-0,6X3,5	1204517	10
STP 5-2-ZB	3037643	100

Accessories ¹⁾		
D-QTC 2,5-TWIN	3206571	50
DS-QTC 2,5	3206607	50
FBS 2-6	3030336	50
FBS 3-6	3030242	50
FBS 4-6	3030255	50
FBS 5-6	3030349	50
FBS 10-6	3030271	10
FBS 20-6	3030365	10
ATP-QTC TWIN	3206212	50
PAI-4-N GY	3032871	10
MPS-MT	0201744	10
MPS-IH RD	0201676	10
PS-6	3030996	10
SZF 1-0,6X3,5	1204517	10
STP 5-2-ZB	3037643	100

Accessories ¹⁾		
D-QTC 1,5-QUATTRO	3205174	50
DS-QTC 1,5	3205200	50
FBS 2-5	3030161	50
FBS 3-5	3030174	50
FBS 4-5	3030187	50
FBS 5-5	3030190	50
FBS 10-5	3030213	10
FBS 20-5	3030226	10
ATP-QTC QUATTRO	3206225	50
PAI-4-N GY	3032871	10
MPS-MT	0201744	10
MPS-IH RD	0201676	10
PS-5	3030983	10
SZF 1-0,6X3,5	1204517	10
STP 5-2-ZB	3037643	100

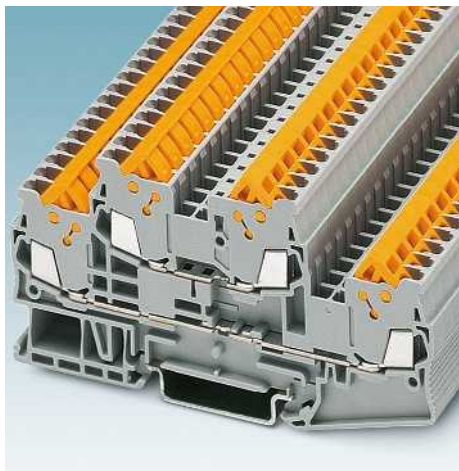
UC-TM 5, UCT-TM 5 or ZB 5
(see Catalog 5)
UC-TMF 5, UCT-TMF 5 or ZBF 5
(see Catalog 5)

UC-TM 6, UCT-TM 6 or ZB 6
(see Catalog 5)
UC-TMF 6, UCT-TMF 6 or ZBF 6
(see Catalog 5)

UC-TM 5, UCT-TM 5 or ZB 5
(see Catalog 5)
UC-TMF 5, UCT-TMF 5 or ZBF 5
(see Catalog 5)

QT fast connection terminal blocks

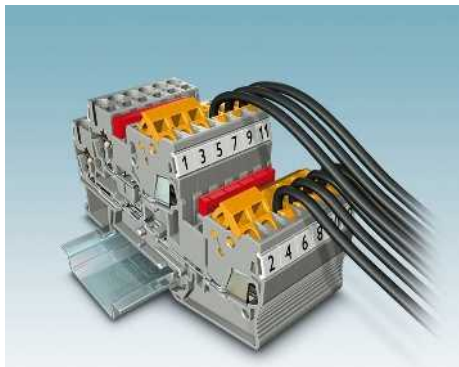
QTTCB ... double-level terminal blocks



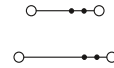
- Compact design and front connection enable wiring in a small amount of space
- Double bridge shaft per level for concurrent bridging and testing
- In the case of the QTTCB 1,5-PV terminal block, both the levels are interconnected
- One diode is fitted in the diode terminal block, conducting from the upper to the lower level
- Ground terminal blocks of the same shape are available
- All the requirements of standard IEC 60947-7-2 are met

STP ... double marker carriers

- Optional, large labeling option using STP... double marker carriers



Notes:
For current carrying capacity of DIN rails, see page 716.
1) The total current of all connected conductors must not exceed the max. load current.
2) The max. current is determined by the diode. Integrated: diode 1N 4007, reverse voltage: 1300 V, maximum continuous current: 0.5 A.
3) For installation notes on the use of accessories for Ex e applications, see page 710.



1.5 (1.5) mm², 17.5 A, double-level terminal block

UL US PC ABS KFR ClassNK

Ex: IEC KEMA 03ATEX2557U / IECEx KEM 07.0015U

Technical data

Dimensions	[mm]				
Width	5.2	Length	99.6	Height NS 35/7,5	49.9
Max. electrical data					
I_{max} [A]	17.5	U_{max} [V]	500	max. Ø [mm ²]	0.25 - 1.5
	AWG 24 - 16				
	IEC 60947-7-1				
Rated data					
Rated voltage	[V]	500	600	600	440
Nominal current / cross section	[A] / [mm ²]	17.5 / 1.5	10 / -	10 / -	15 / 1.5 // 15 / 1.5
Rated cross section	[mm ²]	1.5	-	-	1.5
Cross section range	AWG	24 - 16	24-16	24-16	24 - 16
Connection cross section in acc. with DIN VDE 0295					
H05V(Z) / H07V(Z)	[mm ²]	0.5 - 1.5			
Class 5 / Class 6 [litz wires Ø ≥ 0.1 mm]	[mm ²]	0.25 - 0.34			
[Litz wires Ø ≥ 0.19 mm]	AWG	24 - 16			
Frequency of connections with the same cross section		100			
General data					
Insulating material	PA				
Inflammability class according to UL 94	V0				

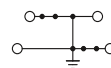
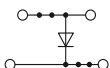
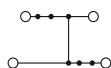
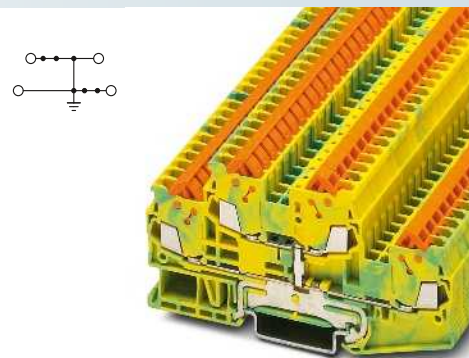
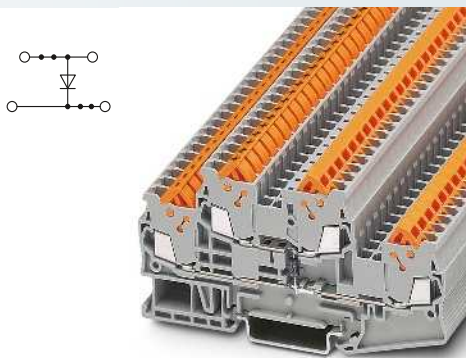
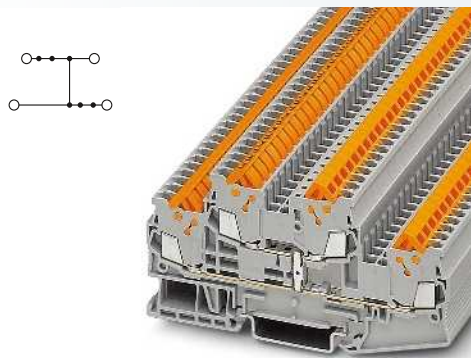
Ordering data

Description	No. of pos.	Color	Type	I_{max}	Order No.	Pcs. / Pkt.
Terminal block, for mounting on NS 35...		gray	QTTCB 1,5		3205116	50
		blue	QTTCB 1,5 BU		3205129	50
Terminal block, with equipotential bonder, for mounting on NS 35...		gray				
Terminal block, with integrated diode, conducting from top to bottom ²⁾		gray				
Ground terminal block, for mounting on NS 35...		green-yellow				

Accessories³⁾

Accessories	Order No.	Pcs. / Pkt.
Cover, width 2.2 mm	gray	
Plug-in bridge		
	2	red
	3	red
	4	red
	5	red
	10	red
	20	red
Vertical potential bridge, to connect the upper and lower level		
	black	
Partition plate, 2 mm width	gray	
Test adapter, 4-mm test socket hole	gray	
Test plug metal part, 2.3 mm Ø		
Insulating sleeve, for MPS metal part	red	
Modular test plug, for the individual assembly of test plug strips	red	
Screwdriver		
Double marker carrier, snaps into QTTCB ... and QTTCBS double-level fast connection terminal blocks, can be labeled with ZB 5 and ZBF 5	gray	

Lateral groove labeling	UC-TMF 5, UCT-TMF 5 or ZBF 5 (see Catalog 5)



1.5 (1.5) mm², 17.5 A, double-level terminal block, internally connected levels

1.5 (1.5) mm², 17.5 A, double-level diode terminal block

1.5 (1.5) mm², double-level ground terminal block

UL US PC ABS B KR Lbook Register ClassNK

Ex: KEMA 03ATEX2557U / IECEx KEM 07.0015U

UL US PC ABS B KR Lbook Register ClassNK

Ex: KEMA 03ATEX2557U / IECEx KEM 07.0015U

UL US PC ABS B KR Lbook Register ClassNK

Ex: KEMA 03ATEX2557U / IECEx KEM 07.0015U

Technical data			
Width	Length	Height NS 35/7,5	
5.2	99.6	49.9	
I _{max} [A]	U _{max} [V]	max. Ø [mm ²]	AWG
17.5 ¹⁾	500	0.25 - 1.5	24 - 16
IEC 60947-7-1			
IEC	UL/CUL	CSA	IEC/EN 60079-7
500	600	600	440
17.5 / 1.5	10 / -	10 / -	15 / 1.5 // 15 / 1.5
1.5	-	-	1.5
24 - 16	24-16	24-16	24 - 16
0.5 - 1.5			
0.25 - 0.34			
24 - 16			
100			
PA			
V0			

Technical data			
Width	Length	Height NS 35/7,5	
5.2	99.6	49.9	
I _{max} [A]	U _{max} [V]	max. Ø [mm ²]	AWG
17.5 ¹⁾	500	0.25 - 1.5	24 - 16
IEC 60947-7-2			
IEC	UL/CUL	CSA	IEC/EN 60079-7
500	600	600	-
17.5 / 1.5	10 / -	10 / -	-
1.5	-	-	-
24 - 16	24-16	24-16	-
0.5 - 1.5			
0.25 - 0.34			
24 - 16			
100			
PA			
V0			

Technical data			
Width	Length	Height NS 35/7,5	
5.2	99.6	49.9	
I _{max} [A]	U _{max} [V]	max. Ø [mm ²]	AWG
17.5 ¹⁾	500	0.25 - 1.5	24 - 16
IEC 60947-7-2			
IEC	UL/CUL	CSA	IEC/EN 60079-7
-	-	-	-
-	- / -	-	-
1.5	-	-	1.5
24 - 16	24-16	24-16	24 - 16
0.5 - 1.5			
0.25 - 0.34			
24 - 16			
100			
PA			
V0			

Ordering data			
Type	I _{max}	Order No.	Pcs. / Pkt.
QTTCB 1,5-PV		3205153	50

Ordering data			
Type	I _{max}	Order No.	Pcs. / Pkt.
QTTCB 1,5-DIO/O-U		3206241	50

Ordering data			
Type	Order No.	Pcs. / Pkt.	
QTTCB 1,5-PE	3205132	50	

Accessories ³⁾			
D-QTTCB 1,5		3205187	50
FBS 2-5	24 A	3030161	50
FBS 3-5	24 A	3030174	50
FBS 4-5	24 A	3030187	50
FBS 5-5	24 A	3030190	50
FBS 10-5	24 A	3030213	10
FBS 20-5	24 A	3030226	10
ATP-QTTCB		3206238	50
PAI-4-N GY		3032871	10
MPS-MT		0201744	10
MPS-IH RD		0201676	10
PS-5		3030983	10
SZF 1-0,6X3,5		1204517	10
STP 5-2/S		0800970	100

Accessories ³⁾			
D-QTTCB 1,5		3205187	50
FBS 2-5	24 A	3030161	50
FBS 3-5	24 A	3030174	50
FBS 4-5	24 A	3030187	50
FBS 5-5	24 A	3030190	50
FBS 10-5	24 A	3030213	10
FBS 20-5	24 A	3030226	10
ATP-QTTCB		3206238	50
PAI-4-N GY		3032871	10
MPS-MT		0201744	10
MPS-IH RD		0201676	10
PS-5		3030983	10
SZF 1-0,6X3,5		1204517	10
STP 5-2/S		0800970	100

Accessories ³⁾			
D-QTTCB 1,5		3205187	50
FBS 2-5		3030161	50
FBS 3-5		3030174	50
FBS 4-5		3030187	50
FBS 5-5		3030190	50
FBS 10-5		3030213	10
FBS 20-5		3030226	10
ATP-QTTCB		3206238	50
PAI-4-N GY		3032871	10
MPS-MT		0201744	10
MPS-IH RD		0201676	10
PS-5		3030983	10
SZF 1-0,6X3,5		1204517	10
STP 5-2/S		0800970	100

UC-TMF 5, UCT-TMF 5 or ZBF 5
(see Catalog 5)

UC-TMF 5, UCT-TMF 5 or ZBF 5
(see Catalog 5)

UC-TMF 5, UCT-TMF 5 or ZBF 5
(see Catalog 5)

QT fast connection terminal blocks

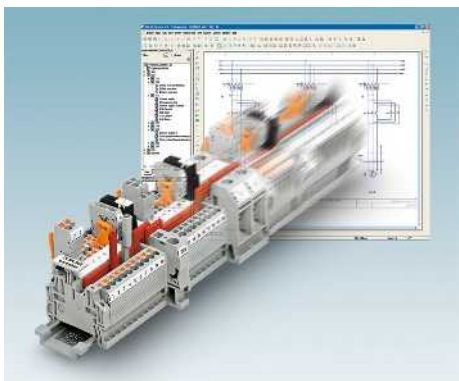
QTC... lever-type fuse terminal blocks



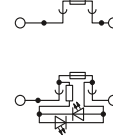
The lever-type fuse terminal blocks are characterized by:

- An extremely compact design
- Two function shafts can implement all the potential distribution work. For example, two separate potentials can be routed side by side with the help of jumping bridging.
- QTC 2,5-TG/-MT function terminal blocks of the same shape are available
- Test connection on both sides in safety lever
- Versions with light indicator for indicating that a fuse has blown round off the range

CLIP PROJECT Planning enables the quick and convenient planning and configuration of fault-free terminal strips.



Notes:
For further technical notes on power dissipation, see page 724.
1) If the fuse is faulty, the downstream circuit is not off load.
2) For max. power dissipation, see page 724.
3) The current is determined by the fuse used, the voltage by the light indicator.



2.5 (2.5) mm², 6.3 A, lever-type fuse terminal block for 5 x 20 mm cartridge fuses

UL US PC KEBA ABS ClassNK CB

Dimensions		[mm]
Max. electrical data		
Rated data		
Rated voltage	[V]	500 ³⁾
Nominal current / cross section	[A] / [mm ²]	6.3 / 1.5
Rated cross section	[mm ²]	2.5
Cross section range	AWG	20 - 14
Connection cross section in acc. with DIN VDE 0295		
H05V(Z) / H07V(Z)	[mm ²]	0.5 - 2.5
Class 5 / Class 6 [litz wires Ø ≥ 0.1 mm]	[mm ²]	-
[Litz wires Ø ≥ 0.19 mm]	AWG	20 - 14
Frequency of connections with the same cross section		100
General data		
Insulating material		PA
Inflammability class according to UL 94		V0

Technical data			
Width	Length	Height NS 35/7,5	
6.2	82.5	64.9	
I _{max} [A]	U _{max} [V]	max. Ø [mm ²]	AWG
6.3 ³⁾	500 ³⁾	0.5 - 2.5	20 - 14
IEC 60947-7-3			
IEC	UL/CUL	CSA	IEC/EN 60079-7

Description	No. of pos.	Color
Fuse terminal block , for mounting on NS 35..., for cartridge fuse inserts 5 x 20 mm		black
With LED for 12-30 V AC/DC, 0.31-0.95 mA ¹⁾		black
With LED for 30-60 V AC/DC, 0.40-0.86 mA ¹⁾		black
With LED for 110-250 V AC/DC, 0.41-0.96 mA ¹⁾		black

Ordering data			
Type	I _{max}	Order No.	Pcs. / Pkt.
QTC 2,5-HESI (5X20)		3050293	50
QTC 2,5-HESILED 24 (5X20)		3050374	50
QTC 2,5 HESILED 60 (5X20)		3050390	50
QTC 2,5-HESILA 250 (5X20)		3050387	50

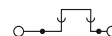
Cover , width 2.2 mm	gray
End cover segment , for covering multi-conductor terminal blocks when two-conductor terminal blocks are aligned	gray
Plug-in bridge	
	2 red
	3 red
	4 red
	5 red
	10 red
	20 red
Connection pin , for coupling several fuse terminal blocks, made of plastic, 1 m long	gray
Screwdriver	SZF 1-0,6X3,5
Lever labeling	UC-TM 5, UCT-TM 5 or ZB 5 (see Catalog 5)
Lateral groove labeling	UC-TMF 6, UCT-TMF 6 or ZBF 6 (see Catalog 5)

Accessories		
D-QTC 2,5-TWIN		3206571
DS-QTC 2,5		3206607
FBS 2-6	32 A	3030336
FBS 3-6	32 A	3030242
FBS 4-6	32 A	3030255
FBS 5-6	32 A	3030349
FBS 10-6	32 A	3030271
FBS 20-6	32 A	3030365
VS		3004207
SZF 1-0,6X3,5		1204517
UC-TM 5, UCT-TM 5 or ZB 5 (see Catalog 5)		50
UC-TMF 6, UCT-TMF 6 or ZBF 6 (see Catalog 5)		50

QTC ... lever-type disconnect terminal block

The lever-type disconnect terminal blocks have the same shape and pitch as the 5 x 20 mm lever-type fuse terminal blocks and allow for:

- A design to suit their function
- Continuous labeling of terminal points
- The dual function shaft allows two potentials running in parallel to be jumped separately
- The time-saving way to set up potential infeed



2.5 (2.5) mm², 20 A, lever-type disconnect terminal block, same shape

Dimensions [mm]

Max. electrical data
Rated data

Rated voltage	[V]	500
Nominal current / cross section	[A] / [mm ²]	20 / 2.5
Rated cross section	[mm ²]	2.5
Cross section range	AWG	20 - 14
Connection cross section in acc. with DIN VDE 0295		
H05V(Z) / H07V(Z)	[mm ²]	0.5 - 2.5
Class 5 / Class 6 [litz wires Ø ≥ 0.1 mm]	[mm ²]	-
[Litz wires Ø ≥ 0.19 mm]	AWG	20 - 14
Frequency of connections with the same cross section		100

General data

Insulating material	PA
Inflammability class according to UL 94	V0

Description	No. of pos.	Color
Lever-type disconnect terminal block, same shape as QTC 2,5-HESI		black/orange

Cover, width 2.2 mm gray

End cover segment, for covering multi-conductor terminal blocks when two-conductor terminal blocks are aligned gray

Plug-in bridge	No. of pos.	Color
	2	red
	3	red
	4	red
	5	red
	10	red
	20	red

Connection pin, for coupling several fuse terminal blocks, made of plastic, 1 m long gray

Screwdriver
Lever labeling
Lateral groove labeling
Technical data

Width	Length	Height NS 35/7,5	
6.2	82.5	64.9	
I_{max} [A]	U_{max} [V]	max. Ø [mm ²]	AWG
20	500	0.5 - 2.5	20 - 14
IEC 60947-7-1			
IEC	UL/CUL	CSA	IEC/EN 60079-7

Ordering data

Type	I_{max}	Order No.	Pcs. / Pkt.
QTC 2,5-HEDI		3206678	50

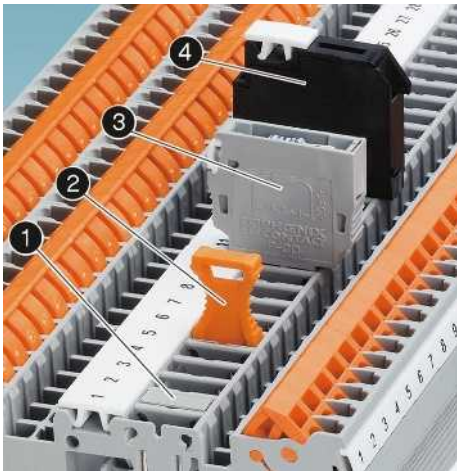
Accessories

Accessories	Order No.	Pcs. / Pkt.
D-QTC 2,5-TWIN	3206571	50
DS-QTC 2,5	3206607	50
FBS 2-6	32 A 3030336	50
FBS 3-6	32 A 3030242	50
FBS 4-6	32 A 3030255	50
FBS 5-6	32 A 3030349	50
FBS 10-6	32 A 3030271	10
FBS 20-6	32 A 3030365	10
VS	3004207	1
SZF 1-0,6X3,5	1204517	10

UC-TM 5, UCT-TM 5 or ZB 5
 (see Catalog 5)
 UC-TMF 6, UCT-TMF 6 or ZBF 6
 (see Catalog 5)

QT fast connection terminal blocks

QTC ...-TG disconnect terminal blocks to accommodate function plugs

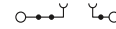


- Triple bridge shaft enables individual potential distribution and supply
- Disconnect terminal block with universal disconnect zone for accommodating isolating plugs, feed-through connectors, component plugs, and fuse plugs
- The P-FIX isolated feed-through connector ① enables the installation of a feed-through terminal of the same shape
- The P-DI isolating plug ② can be used in all disconnect terminal blocks. Following disconnection, the P-DI can be “parked” back to front in the basic terminal block.
- The P-CO component plug ③ is used to accommodate different components such as resistors or diodes
- 5 x 20 mm cartridge fuses can be inserted into the P-FU fuse plug ④. This plug is also available with a light indicator for signaling a tripped fuse.

Function plugs

- For detailed information about the function plugs, see page 480

Notes:
1) The total current of all connected conductors must not exceed the max. load current.
2) If the fuse is faulty, the downstream circuit is not off load.
3) Observe max. load current.
4) Observe max. load current, depending on the power dissipation of the components. Max. 0.5 W with single arrangement.
5) For max. power dissipation, see page 724.
6) Current and voltage are determined by the plug used.



1.5 (1.5) mm², 17.5 A, disconnect terminal block



Dimensions

	[mm]
--	------

Max. electrical data

--	--

Rated data

Rated voltage	[V]	400 ⁶⁾	600	600	-
Nominal current / cross section	[A] / [mm ²]	17.5 / 1.5	10 / -	10 / -	-
Rated cross section	[mm ²]	1.5	-	-	-
Cross section range	AWG	24 - 16	24-16	24-16	-
Connection cross section in acc. with DIN VDE 0295					
H05V(Z) / H07V(Z)	[mm ²]	0.5 - 1.5			
Class 5 / Class 6 [litz wires Ø ≥ 0.1 mm]	[mm ²]	0.25 - 0.34			
[Litz wires Ø ≥ 0.19 mm]	AWG	24 - 16			
Frequency of connections with the same cross section		100			

General data

Insulating material	PA
Inflammability class according to UL 94	V0

Description	No. of pos.	Color
Terminal block, for mounting on NS 35...		gray

Cover, width 2.2 mm	gray
End cover segment, for covering multi-conductor terminal blocks when two-conductor terminal blocks are aligned	gray

Plug-in bridge	No. of pos.	Color
	2	red
	3	red
	4	red
	5	red
	10	red
	20	red

Partition plate, 2 mm width	gray
Test adapter, 4-mm test socket hole	gray
Test plug metal part, 2.3 mm Ø	
Insulating sleeve, for MPS metal part	red
Modular test plug, for the individual assembly of test plug strips	red

Isolating plug ²⁾	orange
Feed-through connector ³⁾	gray
Component plug, labeled with ZBF 5 or UC-TMF 5 ⁴⁾	gray

Fuse plug, width 5.2 mm ²⁾	black
With LED for 12-30 V DC, 0.35-0.95 mA	black
For 30-60 V AC/DC, 0.36-0.95 mA	black
For 110-250 V AC/DC, 0.4-0.95 mA	black
Screwdriver	

Center groove labeling	
Center and lateral groove labeling	

Technical data

Width	Length	Height NS 35/7.5	
5.2	76.4	39.3	
I _{max} [A]	U _{max} [V]	max. Ø [mm ²]	AWG
17.5 ⁶⁾	400 ⁶⁾	0.25 - 1.5	24 - 16
IEC 60947-7-1			
IEC	UL/CUL	CSA	IEC/EN 60079-7

PA
V0

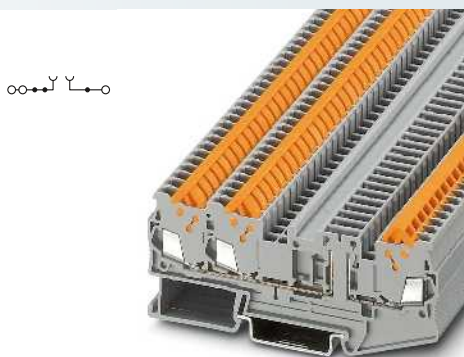
Ordering data

Type	I _{max}	Order No.	Pcs. / Pkt.
QTC 1,5-TG		3205145	50

Accessories

Accessories	Order No.	Pcs.
D-QTC 1,5-TWIN	3205190	50
DS-QTC 1,5	3205200	50
FBS 2-5	3030161	50
FBS 3-5	3030174	50
FBS 4-5	3030187	50
FBS 5-5	3030190	50
FBS 10-5	3030213	10
FBS 20-5	3030226	10
ATP-QTC TWIN	3206212	50
PAI-4-N GY	3032871	10
MPS-MT	0201744	10
MPS-IH RD	0201676	10
PS-5	3030983	10
P-DI	3036783	50
P-FIX	3038956	50
P-CO	3036796	10
P-FU 5X20-5	3209235	10
P-FU 5X20 LED 24-5	3209248	10
P-FU 5X20 LED 60-5	3209251	10
P-FU 5X20 LED 250-5	3209264	10
SZF 1-0,6X3,5	1204517	10

UC-TM 5, UCT-TM 5 or ZB 5 (see Catalog 5)
UC-TMF 5, UCT-TMF 5 or ZBF 5 (see Catalog 5)



2.5 (2.5) mm², 20 A, disconnect terminal block

1.5 (1.5) mm², 17.5 A, disconnect terminal block, 3 connections

UL, ABS, ClassNK

PC

Technical data			
Width	Length	Height NS 35/7,5	
6.2	82.5	39.3	
I_{max} [A]	U_{max} [V]	max. Ø [mm ²]	AWG
20 ^{*)}	400 ^{*)}	0.5 - 2.5	20 - 14
IEC 60947-7-1			
IEC	UL/CUL	CSA	IEC/EN 60079-7
400 ^{*)}	300	600	-
20 / 2.5	15 / -	15 / -	-
2.5	-	-	-
20 - 14	20-14	20-14	-
0.5 - 2.5			
-			
20 - 14			
100			
PA			
V0			

Technical data			
Width	Length	Height NS 35/7,5	
5.2	94	39.3	
I_{max} [A]	U_{max} [V]	max. Ø [mm ²]	AWG
17.5 ¹⁾	400 ^{*)}	0.25 - 1.5	24 - 16
IEC 60947-7-1			
IEC	UL/CUL	CSA	IEC/EN 60079-7
400 ^{*)}	-	-	-
17.5 ¹⁾ / 1.5	- / -	-	-
1.5	-	-	-
24 - 16	-	-	-
0.5 - 1.5			
0.25 - 0.34			
24 - 16			
100			
PA			
V0			

Ordering data			
Type	I_{max}	Order No.	Pcs. / Pkt.
QTC 2,5-TG		3206490	50

Ordering data			
Type	I_{max}	Order No.	Pcs. / Pkt.
QTC 1,5-TWIN-TG		3050413	50

Accessories			
D-QTC 2,5-TWIN		3206571	50
DS-QTC 2,5		3206607	50
FBS 2-6	32 A	3030336	50
FBS 3-6	32 A	3030242	50
FBS 4-6	32 A	3030255	50
FBS 5-6	32 A	3030349	50
FBS 10-6	32 A	3030271	10
FBS 20-6	32 A	3030365	10
ATP-QTC TWIN		3206212	50
PAI-4-N GY		3032871	10
MPS-MT		0201744	10
MPS-IH RD		0201676	10
PS-6		3030996	10
P-DI		3036783	50
P-FIX		3038956	50
P-CO		3036796	10
P-FU 5X20		3036806	10
P-FU 5X20 LED 24		3036819	10
P-FU 5X20 LED 60		3036822	10
P-FU 5X20 LA 250		3036835	10
SZF 1-0,6X3,5		1204517	10

Accessories			
D-QTC 1,5-QUATTRO		3205174	50
DS-QTC 1,5		3205200	50
FBS 2-5	24 A	3030161	50
FBS 3-5	24 A	3030174	50
FBS 4-5	24 A	3030187	50
FBS 5-5	24 A	3030190	50
FBS 10-5	24 A	3030213	10
FBS 20-5	24 A	3030226	10
ATP-QTC QUATTRO		3206225	50
PAI-4-N GY		3032871	10
MPS-MT		0201744	10
MPS-IH RD		0201676	10
PS-5		3030983	10
P-DI		3036783	50
P-FIX		3038956	50
P-CO		3036796	10
P-FU 5X20-5		3209235	10
P-FU 5X20 LED 24-5		3209248	10
P-FU 5X20 LED 60-5		3209251	10
P-FU 5X20 LED 250-5		3209264	10
SZF 1-0,6X3,5		1204517	10

UC-TM 6, UCT-TM 6 or ZB 6
(see Catalog 5)
UC-TMF 6, UCT-TMF 6 or ZBF 6
(see Catalog 5)

UC-TM 5, UCT-TM 5 or ZB 5
(see Catalog 5)
UC-TMF 5, UCT-TMF 5 or ZBF 5
(see Catalog 5)

QT fast connection terminal blocks

QTC ...-MT knife disconnect terminal blocks

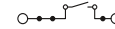


- Compact design and high current-carrying capacity of 20 A
- Triple bridge shaft enables individual potential distribution and supply
- Testing facility on both sides of the disconnect point

S-MT switching lock

- The optional switching lock snaps in and effectively prevents accidental switching

Notes:
1) The total current of all connected conductors must not exceed the max. load current.
2) Also see page 480.



1.5 (1.5) mm², 17.5 A, knife disconnect terminal block

Dimensions	
	[mm]
Max. electrical data	
Rated voltage	[V]
Nominal current / cross section	[A] / [mm ²]
Rated cross section	[mm ²]
Cross section range	AWG
Rated data	
Connection cross section in acc. with DIN VDE 0295	
H05V(Z) / H07V(Z)	[mm ²]
Class 5 / Class 6 [litz wires Ø ≥ 0.1 mm]	[mm ²]
[Litz wires Ø ≥ 0.19 mm]	AWG
Frequency of connections with the same cross section	

Technical data				
Width	Length	Height NS 35/7,5		
5.2	76.4	39.3		
I _{max} [A]	U _{max} [V]	max. Ø [mm ²]	AWG	
17.5	400	0.25 - 1.5	24 - 16	
IEC 60947-7-1				
IEC	UL/CUL	CSA	IEC/EN 60079-7	
400	600	600	-	
17.5 / 1.5	10 / -	10 / -	-	
1.5	-	-	-	
24 - 16	24-16	24-16	-	
Connection cross section in acc. with DIN VDE 0295				
H05V(Z) / H07V(Z)	[mm ²]	0.5 - 1.5		
Class 5 / Class 6 [litz wires Ø ≥ 0.1 mm]	[mm ²]	0.25 - 0.34		
[Litz wires Ø ≥ 0.19 mm]	AWG	24 - 16		
Frequency of connections with the same cross section		100		

General data	
Insulating material	PA
Inflammability class according to UL 94	V0

Description	No. of pos.	Color
Knife disconnect terminal block, for mounting on NS 35...		gray

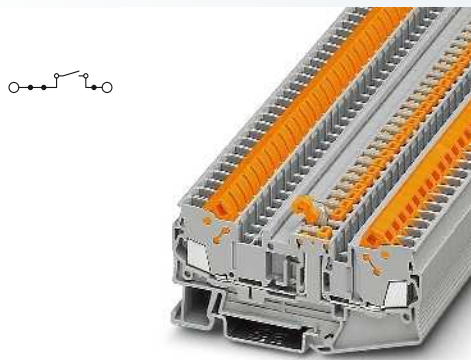
Ordering data			
Type	I _{max}	Order No.	Pcs. / Pkt.
QTC 1,5-MT		3205103	50

Cover, width 2.2 mm	gray
End cover segment, for covering multi-conductor terminal blocks when two-conductor terminal blocks are aligned	gray
Plug-in bridge	
	2 red
	3 red
	4 red
	5 red
	10 red
	20 red
Switching lock, plug-in ²⁾	white
Partition plate, 2 mm width	gray
Test adapter, 4-mm test socket hole	gray
Test plug metal part, 2.3 mm Ø	
Insulating sleeve, for MPS metal part	red
Modular test plug, for the individual assembly of test plug strips	red

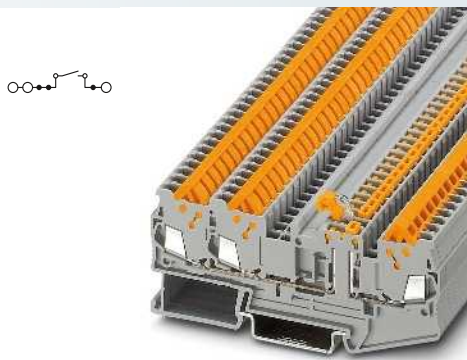
Accessories			
D-QTC 1,5-TWIN		3205190	50
DS-QTC 1,5		3205200	50
FBS 2-5	24 A	3030161	50
FBS 3-5	24 A	3030174	50
FBS 4-5	24 A	3030187	50
FBS 5-5	24 A	3030190	50
FBS 10-5	24 A	3030213	10
FBS 20-5	24 A	3030226	10
S-MT		3247954	50
ATP-QTC TWIN		3206212	50
PAI-4-N GY		3032871	10
MPS-MT		0201744	10
MPS-IH RD		0201676	10
PS-5		3030983	10
SZF 1-0,6X3,5		1204517	10

Screwdriver
Center groove labeling
Center and lateral groove labeling

UC-TM 5, UCT-TM 5 or ZB 5 (see Catalog 5)
UC-TMF 5, UCT-TMF 5 or ZBF 5 (see Catalog 5)



2.5 (2.5) mm², 20 A, knife disconnect terminal block



1.5 (1.5) mm², 17.5 A, knife disconnect terminal block, 3 connections

UL, ABS, ClassNK

PC

Technical data			
Width	Length	Height NS 35/7,5	
6.2	82.5	39.3	
I _{max} [A]	U _{max} [V]	max. Ø [mm ²]	AWG
20	400	0.5 - 2.5	20 - 14
IEC 60947-7-1			
IEC	UL/CUL	CSA	IEC/EN 60079-7
400	300	600	-
20 / 2.5	15 / -	15 / -	-
2.5	-	-	-
20 - 14	20-14	20-14	-
0.5 - 2.5			
-			
20 - 14			
100			

Technical data			
Width	Length	Height NS 35/7,5	
5.2	94	39.3	
I _{max} [A]	U _{max} [V]	max. Ø [mm ²]	AWG
17.5 ¹⁾	400	0.25 - 1.5	24 - 16
IEC 60947-7-1			
IEC	UL/CUL	CSA	IEC/EN 60079-7
400	-	-	-
17.5 ¹⁾ / 1.5	- / -	-	-
1.5	-	-	-
24 - 16	-	-	-
0.5 - 1.5			
0.25 - 0.34			
24 - 16			
100			

PA
V0

PA
V0

Ordering data			
Type	I _{max}	Order No.	Pcs. / Pkt.
QTC 2,5-MT		3206487	50

Ordering data			
Type	I _{max}	Order No.	Pcs. / Pkt.
QTC 1,5-TWIN-MT		3050407	50

Accessories			
D-QTC 2,5-TWIN		3206571	50
DS-QTC 2,5		3206607	50
FBS 2-6	32 A	3030336	50
FBS 3-6	32 A	3030242	50
FBS 4-6	32 A	3030255	50
FBS 5-6	32 A	3030349	50
FBS 10-6	32 A	3030271	10
FBS 20-6	32 A	3030365	10
S-MT		3247954	50
ATP-QTC TWIN		3206212	50
PAI-4-N GY		3032871	10
MPS-MT		0201744	10
MPS-IH RD		0201676	10
PS-6		3030996	10
SZF 1-0,6X3,5		1204517	10

Accessories			
D-QTC 1,5-QUATTRO		3205174	50
DS-QTC 1,5		3205200	50
FBS 2-5	24 A	3030161	50
FBS 3-5	24 A	3030174	50
FBS 4-5	24 A	3030187	50
FBS 5-5	24 A	3030190	50
FBS 10-5	24 A	3030213	10
FBS 20-5	24 A	3030226	10
S-MT		3247954	50
ATP-QTC QUATTRO		3206225	50
PAI-4-N GY		3032871	10
MPS-MT		0201744	10
MPS-IH RD		0201676	10
PS-5		3030983	10
SZF 1-0,6X3,5		1204517	10

UC-TM 6, UCT-TM 6 or ZB 6
(see Catalog 5)
UC-TMF 6, UCT-TMF 6 or ZBF 6
(see Catalog 5)

UC-TM 5, UCT-TM 5 or ZB 5
(see Catalog 5)
UC-TMF 5, UCT-TMF 5 or ZBF 5
(see Catalog 5)

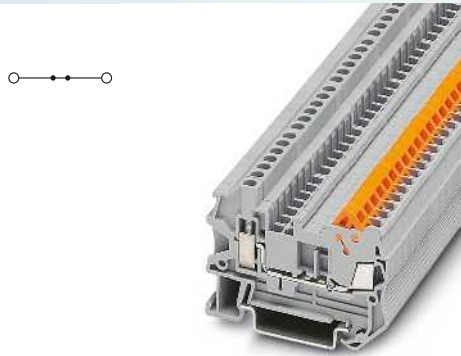
Modular terminal blocks - CLIPLINE complete

QT fast connection terminal blocks

QTCU ... hybrid feed-through terminal blocks with screw connection on one side

- The hybrid variants combine the advantages of the different connection methods
- On the control cabinet side, the time-saving QUICKON fast connection is used
- The screw connection is used on the connection side

Notes:
For more plug-in bridges, see page 472..
1) The total current of all connected conductors must not exceed the max. load current.
2) For installation notes on the use of accessories for Ex e applications, see page 710.



1.5 (1.5) mm², 17.5 A, feed-through terminal block



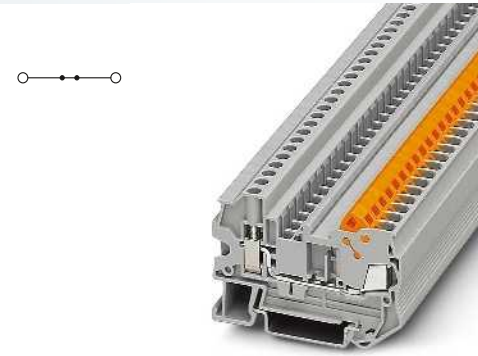
Ex: KEMA 04ATEX2226 U / IECEx KEM 07.0007U

Technical data				
Width	Length	Height NS 35/7,5		
5.2	58.8	42.8		
I _{max.} [A]	U _{max.} [V]	max. Ø [mm ²]	AWG	
17.5	800	0.14 - 4	26 - 12	
IEC 60947-7-1				
IEC	UL/CUL	CSA	IEC/EN 60079-7	
Rated voltage [V]	800	600	600	
Nominal current / cross section [A] / [mm ²]	17.5 / 1.5	10 / -	10 / -	
Rated cross section [mm ²]	1.5	-	1.5	
Cross section range AWG	24 - 16	24-16	24 - 16	
Connection cross section in acc. with DIN VDE 0295				
H05V(Z) / H07V(Z)	[mm ²]	0.5 - 1.5		
Class 5 / Class 6 [litz wires Ø ≥ 0.1 mm]	[mm ²]	0.25 - 0.34		
[Litz wires Ø ≥ 0.19 mm]	AWG	24 - 16		
Frequency of connections with the same cross section		100		

Dimensions	[mm]
Max. electrical data	
Rated data, fast connection	
Rated voltage [V]	800
Nominal current / cross section [A] / [mm ²]	17.5 / 1.5
Rated cross section [mm ²]	1.5
Cross section range AWG	24 - 16
Connection cross section in acc. with DIN VDE 0295	
H05V(Z) / H07V(Z)	[mm ²]
Class 5 / Class 6 [litz wires Ø ≥ 0.1 mm]	[mm ²]
[Litz wires Ø ≥ 0.19 mm]	AWG
Frequency of connections with the same cross section	

Rated data, screw connection	
Rated voltage [V]	800
Nominal current / cross section [A] / [mm ²]	17.5 / 1.5
Rated cross section [mm ²]	1.5
Cross section range AWG	26 - 12
Connection capacity of screw connection	
1 conductor [mm ²]	0.14 - 4
Two conductors (of the same type) [mm ²]	0.14 - 1.5
Two conductors with a TWIN ferrule [mm ²]	0.14 - 1.5
General data	
Stripping length [mm]	9
Screw thread	M3
Tightening torque [Nm]	0.5 - 0.6
Insulating material	PA
Inflammability class according to UL 94	V0

IEC 60947-7-1				
IEC	UL/CUL	CSA	IEC/EN 60079-7	
Rated voltage [V]	800	600	600	
Nominal current / cross section [A] / [mm ²]	17.5 / 1.5	10 / -	10 / -	
Rated cross section [mm ²]	1.5	-	1.5	
Cross section range AWG	26 - 12	24-16	26 - 12	
Connection capacity of screw connection				
solid		stranded		Ferrule
				Without / with plastic sleeve
1 conductor [mm ²]	0.14 - 4	0.14 - 2.5	0.14 - 2.5	0.14 - 2.5
Two conductors (of the same type) [mm ²]	0.14 - 1.5	0.14 - 1.5	0.14 - 1.5	-
Two conductors with a TWIN ferrule [mm ²]				0.5 - 1.5
General data				
Stripping length [mm]	9			
Screw thread	M3			
Tightening torque [Nm]	0.6 - 0.8			
Insulating material	PA			
Inflammability class according to UL 94	V0			



2.5 (2.5) mm², 24 A, feed-through terminal block



Ex: KEMA 05ATEX2148 U / IECEx KEM 07.0010U

Technical data				
Width	Length	Height NS 35/7,5		
6.2	62.6	42.8		
I _{max.} [A]	U _{max.} [V]	max. Ø [mm ²]	AWG	
24	800	0.14 - 6	26 - 10	
IEC 60947-7-1				
IEC	UL/CUL	CSA	IEC/EN 60079-7	
Rated voltage [V]	800	600	600	
Nominal current / cross section [A] / [mm ²]	24 / 2.5	15 / -	15 / -	
Rated cross section [mm ²]	2.5	-	2.5	
Cross section range AWG	20 - 14	20-14	20-14	
Connection cross section in acc. with DIN VDE 0295				
H05V(Z) / H07V(Z)	[mm ²]	0.5 - 2.5		
Class 5 / Class 6 [litz wires Ø ≥ 0.1 mm]	[mm ²]	-		
[Litz wires Ø ≥ 0.19 mm]	AWG	20 - 14		
Frequency of connections with the same cross section		100		

IEC 60947-7-1				
IEC	UL/CUL	CSA	IEC/EN 60079-7	
Rated voltage [V]	800	600	600	
Nominal current / cross section [A] / [mm ²]	24 / 2.5	15 / -	15 / -	
Rated cross section [mm ²]	2.5	-	2.5	
Cross section range AWG	26 - 10	20-14	26 - 10	
Connection capacity of screw connection				
solid		stranded		Ferrule
				Without / with plastic sleeve
1 conductor [mm ²]	0.14 - 6	0.14 - 4	0.14 - 4	0.14 - 4
Two conductors (of the same type) [mm ²]	0.14 - 1.5	0.14 - 1.5	0.14 - 1.5	-
Two conductors with a TWIN ferrule [mm ²]				0.5 - 2.5
General data				
Stripping length [mm]	9			
Screw thread	M3			
Tightening torque [Nm]	0.6 - 0.8			
Insulating material	PA			
Inflammability class according to UL 94	V0			

Description	No. of pos.	Color
Terminal block , for mounting on NS 35...		gray
		blue
With potential distribution ¹⁾		gray

Ordering data				
Type	I _{max.}	Order No.	Pcs. / Pkt.	
QTCU 1,5		3050015	50	
QTCU 1,5 BU		3050028	50	

Ordering data				
Type	I _{max.}	Order No.	Pcs. / Pkt.	
QTCU 2,5		3206539	50	
QTCU 2,5 BU		3206542	50	

Accessories ²⁾		
Cover , width 2.2 mm		gray
End cover segment , for covering multi-conductor terminal blocks when two-conductor terminal blocks are aligned		gray
Plug-in bridge		
	2	red
	3	red
	5	red
	20	red
Vertical potential bridge , to connect the upper and lower level		black

Accessories ²⁾				
D-QTCU 1,5		3206283	50	
FBS 2-5	24 A	3030161	50	
FBS 3-5	24 A	3030174	50	
FBS 5-5	24 A	3030190	50	
FBS 20-5	24 A	3030226	10	

Accessories ²⁾				
D-QTCU 2,5		3206597	50	
FBS 2-6	32 A	3030336	50	
FBS 3-6	32 A	3030242	50	
FBS 5-6	32 A	3030349	50	
FBS 20-6	32 A	3030365	10	

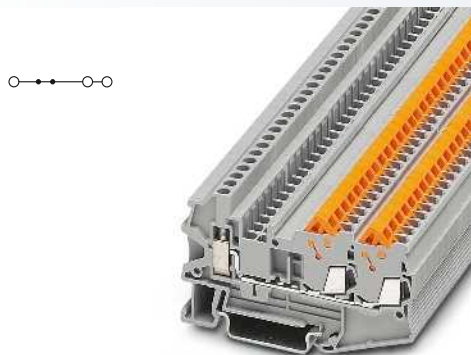
Partition plate , 2 mm width	gray
-------------------------------------	------

ATP-QTC	3206209	50
----------------	---------	----

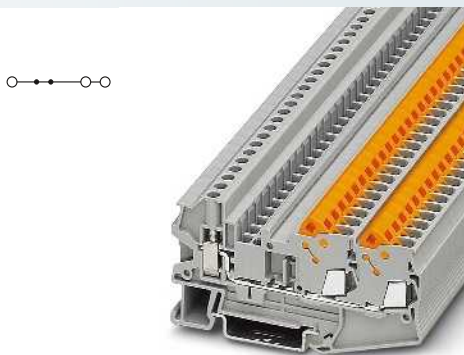
ATP-QTC	3206209	50
----------------	---------	----

Center groove labeling	UC-TM 5, UCT-TM 5 or ZB 5 (see Catalog 5)
Center and lateral groove labeling	UC-TMF 5, UCT-TMF 5 or ZBF 5 (see Catalog 5)

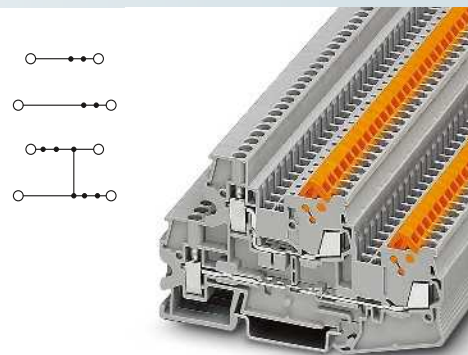
Center groove labeling	UC-TM 6, UCT-TM 6 or ZB 6 (see Catalog 5)
Center and lateral groove labeling	UC-TMF 6, UCT-TMF 6 or ZBF 6 (see Catalog 5)



1.5 (1.5) mm², 17.5 A, feed-through terminal block, 3 connections



2.5 (2.5) mm², 24 A, feed-through terminal block, 3 connections



1.5 (1.5) mm², 17.5 A, double-level terminal block



Ex: KEMA 04ATEX2226 U / IECEx KEM 07.0007U



Ex: KEMA 05ATEX2148 U / IECEx KEM 07.0010U



Technical data

Width	Length	Height NS 35/7,5	
5.2	76.4	42.8	
I_{max} [A]	U_{max} [V]	max. Ø [mm ²]	AWG
17.5 ¹⁾	800	0.14 - 4	26 - 12
IEC 60947-7-1			
IEC	UL/CUL	CSA	IEC/EN 60079-7
800	600	-	550
17.5 / 1.5	10 / -	-	17.5 / 1.5 // 17.5 / 1.5
1.5	-	-	1.5
24 - 16	24-16	-	24 - 16
0.5 - 1.5			
0.25 - 0.34			
24 - 16			
100			

IEC 60947-7-1

IEC	UL/CUL	CSA	IEC/EN 60079-7
800	600	-	550
17.5 / 1.5	10 / -	-	17.5 / 1.5 // 17.5 / 1.5
1.5	-	-	1.5
26 - 12	24-16	-	26 - 12
solid	stranded	Ferrule	
Without / with plastic sleeve			
0.14 - 4	0.14 - 2.5	0.14 - 2.5	0.14 - 2.5
0.14 - 1.5	0.14 - 1.5	0.14 - 1.5	-
0.5 - 1.5			

9
M3
0.5 - 0.6
PA
V0

Technical data

Width	Length	Height NS 35/7,5	
6.2	82.5	42.8	
I_{max} [A]	U_{max} [V]	max. Ø [mm ²]	AWG
24 ¹⁾	800	0.14 - 6	26 - 10
IEC 60947-7-1			
IEC	UL/CUL	CSA	IEC/EN 60079-7
800	600	-	550
24 / 2.5	15 / -	-	22 / 2.5 // 22 / 2.5
2.5	-	-	2.5
20 - 14	20-14	-	20 - 14
0.5 - 2.5			
20 - 14			
100			

IEC 60947-7-1

IEC	UL/CUL	CSA	IEC/EN 60079-7
800	600	-	550
24 / 2.5	15 / -	-	22 / 2.5 // 22 / 2.5
2.5	-	-	2.5
26 - 10	20-14	-	26 - 10
solid	stranded	Ferrule	
Without / with plastic sleeve			
0.14 - 6	0.14 - 4	0.14 - 4	0.14 - 4
0.14 - 1.5	0.14 - 1.5	0.14 - 1.5	-
0.5 - 2.5			

9
M3
0.6 - 0.8
PA
V0

Ordering data

Type	I_{max}	Order No.	Pcs. / Pkt.
QTCU 1,5-TWIN		3050044	50
QTCU 1,5-TWIN BU		3050057	50
QTCU 2,5-TWIN		3050303	50
QTCU 2,5-TWIN BU		3050316	50

Accessories²⁾

D-QTCU 1,5-TWIN		3206296	50
DS-QTC 1,5		3205200	50
FBS 2-5	24 A	3030161	50
FBS 3-5	24 A	3030174	50
FBS 5-5	24 A	3030190	50
FBS 20-5	24 A	3030226	10
ATP-QTC TWIN		3206212	50

UC-TM 5, UCT-TM 5 or ZB 5
(see Catalog 5)
UC-TMF 5, UCT-TMF 5 or ZBF 5
(see Catalog 5)

Technical data

Width	Length	Height NS 35/7,5	
5.2	93.5	55.5	
I_{max} [A]	U_{max} [V]	max. Ø [mm ²]	AWG
17.5	500	0.14 - 4	26 - 12
IEC 60947-7-1			
IEC	UL/CUL	CSA	IEC/EN 60079-7
500	600	600	-
17.5 / 1.5	10 / -	10 / -	-
1.5	-	-	-
24 - 16	24-16	24-16	-
0.5 - 1.5			
0.25 - 0.34			
24 - 16			
100			

IEC 60947-7-1

IEC	UL/CUL	CSA	IEC/EN 60079-7
500	600	600	-
17.5 / 1.5	10 / -	10 / -	-
1.5	-	-	-
26 - 12	24-16	24-16	-
solid	stranded	Ferrule	
Without / with plastic sleeve			
0.14 - 4	0.14 - 2.5	0.14 - 2.5	0.14 - 2.5
0.14 - 1.5	0.14 - 1.5	0.14 - 1.5	-
0.5 - 1.5			

9
M3
0.5 - 0.6
PA
V0

Ordering data

Type	I_{max}	Order No.	Pcs. / Pkt.
QTTTCBU 1,5		3050264	50
QTTTCBU 1,5 BU		3050280	50
QTTTCBU 1,5-PV		3050361	50

Accessories²⁾

D-QTTTCBU 1,5		3050536	50
FBS 2-5	24 A	3030161	50
FBS 3-5	24 A	3030174	50
FBS 5-5	24 A	3030190	50
FBS 20-5	24 A	3030226	10
FBS-PV		3032185	50
ATP-QTTTCB		3206238	50

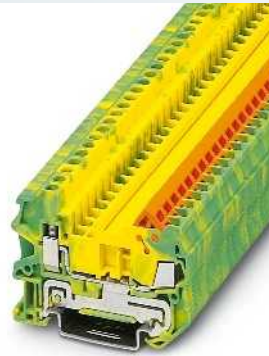
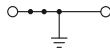
UC-TMF 5, UCT-TMF 5 or ZBF 5
(see Catalog 5)

Modular terminal blocks - CLIPLINE complete

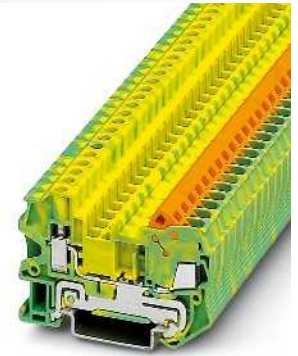
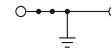
QT fast connection terminal blocks

QTCU ...-PE hybrid ground terminal blocks with screw connection on one side

- Same shape and pitch as the feed-through terminal blocks
- Contact is made free from mechanical and electrical errors by simply snapping onto the DIN rail
- All the requirements of standard IEC 60947-7-2 are met



1.5 (1.5) mm², ground terminal block



2.5 (2.5) mm², ground terminal block

Notes:
 For current carrying capacity of DIN rails, see page 716.
 1) For installation notes on the use of accessories for Ex e applications, see page 710.

UL US PC BL
 Ex:
 KEMA 04ATEX2226 U / IECEx KEM 07.0007U

Technical data				
Width	Length	Height NS 35/7,5		
5.2	58.8	42.8		
		max. Ø [mm ²]	AWG	
		0.14 - 4	26 - 12	
IEC 60947-7-2				
IEC	UL/CUL	CSA	IEC/EN 60079-7	
Rated voltage [V]	-	-	-	-
Nominal current / cross section [A] / [mm ²]	-	-	-	-
Rated cross section [mm ²]	1.5	-	-	1.5
Cross section range AWG	24 - 16	24-16	-	24 - 16
Connection cross section in acc. with DIN VDE 0295				
H05V(Z) / H07V(Z) [mm ²]	0.5 - 1.5			
Class 5 / Class 6 [litz wires Ø ≥ 0.1 mm] [mm ²]	0.25 - 0.34			
[Litz wires Ø ≥ 0.19 mm] AWG	24 - 16			
Frequency of connections with the same cross section	100			
IEC 60947-7-2				
IEC	UL/CUL	CSA	IEC/EN 60079-7	
Rated voltage [V]	-	-	-	-
Nominal current / cross section [A] / [mm ²]	-	-	-	-
Rated cross section [mm ²]	1.5	-	-	1.5
Cross section range AWG	26 - 12	24-16	-	26 - 12
Connection capacity of screw connection				
1 conductor [mm ²]	0.14 - 4	0.14 - 2.5	0.14 - 2.5	0.14 - 2.5
Two conductors (of the same type) [mm ²]	0.14 - 1.5	0.14 - 1.5	0.14 - 1.5	-
Two conductors with a TWIN ferrule [mm ²]			0.5 - 1.5	
General data				
Stripping length [mm]	9			
Screw thread	M3			
Tightening torque [Nm]	0.5 - 0.6			
Insulating material	PA			
Inflammability class according to UL 94	V0			

UL US PC BL ABS **ClassNK**
 Ex:
 KEMA 05ATEX2148 U / IECEx KEM 07.0010U

Technical data				
Width	Length	Height NS 35/7,5		
6.2	62.6	42.8		
		max. Ø [mm ²]	AWG	
		0.14 - 6	26 - 10	
IEC 60947-7-2				
IEC	UL/CUL	CSA	IEC/EN 60079-7	
Rated voltage [V]	-	-	-	-
Nominal current / cross section [A] / [mm ²]	-	-	-	-
Rated cross section [mm ²]	2.5	-	-	2.5
Cross section range AWG	20 - 14	20-14	-	20 - 14
Connection cross section in acc. with DIN VDE 0295				
H05V(Z) / H07V(Z) [mm ²]	0.5 - 2.5			
Class 5 / Class 6 [litz wires Ø ≥ 0.1 mm] [mm ²]	-			
[Litz wires Ø ≥ 0.19 mm] AWG	20 - 14			
Frequency of connections with the same cross section	100			
IEC 60947-7-2				
IEC	UL/CUL	CSA	IEC/EN 60079-7	
Rated voltage [V]	-	-	-	-
Nominal current / cross section [A] / [mm ²]	-	-	-	-
Rated cross section [mm ²]	2.5	-	-	2.5
Cross section range AWG	26 - 10	20-14	-	26 - 10
Connection capacity of screw connection				
1 conductor [mm ²]	0.14 - 6	0.14 - 4	0.14 - 4	0.14 - 4
Two conductors (of the same type) [mm ²]	0.14 - 1.5	0.14 - 1.5	0.14 - 1.5	-
Two conductors with a TWIN ferrule [mm ²]			0.5 - 2.5	
General data				
Stripping length [mm]	9			
Screw thread	M3			
Tightening torque [Nm]	0.6 - 0.8			
Insulating material	PA			
Inflammability class according to UL 94	V0			

Description	No. of pos.	Color
Ground terminal block, for mounting on NS 35...		green-yellow

Ordering data		
Type	Order No.	Pcs. / Pkt.
QTCU 1,5-PE	3050031	50

Ordering data		
Type	Order No.	Pcs. / Pkt.
QTCU 2,5-PE	3206555	50

Accessories ¹⁾		
Cover , width 2.2 mm		gray
End cover segment , for covering multi-conductor terminal blocks when two-conductor terminal blocks are aligned		gray
Plug-in bridge		
	2	red
	3	red
	4	red
	5	red
	10	red
	20	red
Partition plate , 2 mm width		gray
Modular test plug , for the individual assembly of test plug strips		red

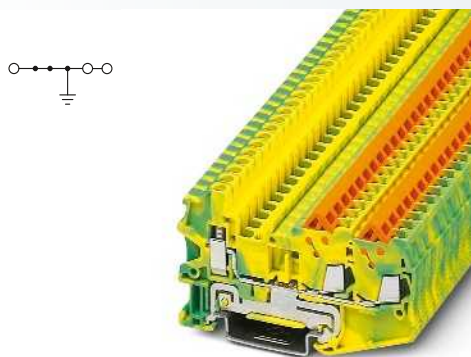
Accessories ¹⁾		
D-QTCU 1,5	3206283	50
FBS 2-5	3030161	50
FBS 3-5	3030174	50
FBS 4-5	3030187	50
FBS 5-5	3030190	50
FBS 10-5	3030213	10
FBS 20-5	3030226	10
ATP-QTC	3206209	50
PS-5	3030983	10

Accessories ¹⁾		
D-QTCU 2,5	3206597	50
FBS 2-6	3030336	50
FBS 3-6	3030242	50
FBS 4-6	3030255	50
FBS 5-6	3030349	50
FBS 10-6	3030271	10
FBS 20-6	3030365	10
ATP-QTC	3206209	50
PS-6	3030996	10

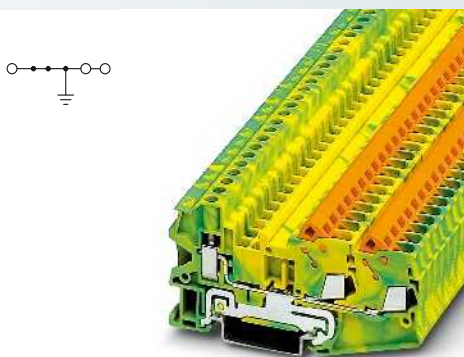
Center groove labeling
Center and lateral groove labeling

UC-TM 5, UCT-TM 5 or ZB 5 (see Catalog 5)
UC-TMF 5, UCT-TMF 5 or ZBF 5 (see Catalog 5)

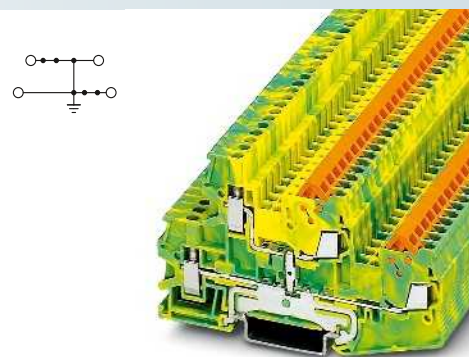
UC-TM 6, UCT-TM 6 or ZB 6 (see Catalog 5)
UC-TMF 6, UCT-TMF 6 or ZBF 6 (see Catalog 5)



1.5 (1.5) mm², ground terminal block,
3 connections



2.5 (2.5) mm², ground terminal block,
3 connections



1.5 (1.5) mm², double-level ground terminal
block



Ex: KEMA 04ATEX2226 U / IECEx KEM 07.0007U



Ex: KEMA 05ATEX2148 U / IECEx KEM 07.0010U



Technical data			
Width	Length	Height NS 35/7,5	
5.2	76.4	42.8	
		max. Ø [mm ²]	AWG
		0.14 - 4	26 - 12
IEC 60947-7-2			
IEC	UL/CUL	CSA	IEC/EN 60079-7
-	-	-	-
1.5	-	-	1.5
24 - 16	24-16	-	24 - 16
0.5 - 1.5			
0.25 - 0.34			
24 - 16			
100			
IEC 60947-7-2			
IEC	UL/CUL	CSA	IEC/EN 60079-7
-	-	-	-
1.5	-	-	1.5
26 - 12	24-16	-	26 - 12
solid	stranded	Ferrule	
		Without / with plastic sleeve	
0.14 - 4	0.14 - 2.5	0.14 - 2.5	0.14 - 2.5
0.14 - 1.5	0.14 - 1.5	0.14 - 1.5	-
			0.5 - 1.5
9			
M3			
0.5 - 0.6			
PA			
V0			

Technical data			
Width	Length	Height NS 35/7,5	
6.2	82.5	42.8	
		max. Ø [mm ²]	AWG
		0.14 - 6	26 - 10
IEC 60947-7-2			
IEC	UL/CUL	CSA	IEC/EN 60079-7
-	-	-	-
2.5	-	-	2.5
20 - 14	20-14	-	20 - 14
0.5 - 2.5			
-			
20 - 14			
100			
IEC 60947-7-2			
IEC	UL/CUL	CSA	IEC/EN 60079-7
-	-	-	-
2.5	-	-	2.5
26 - 10	20-14	-	26 - 10
solid	stranded	Ferrule	
		Without / with plastic sleeve	
0.14 - 6	0.14 - 4	0.14 - 4	0.14 - 4
0.14 - 1.5	0.14 - 1.5	0.14 - 1.5	-
			0.5 - 2.5
9			
M3			
0.6 - 0.8			
PA			
V0			

Technical data			
Width	Length	Height NS 35/7,5	
5.2	93.5	55.5	
		max. Ø [mm ²]	AWG
		0.14 - 4	26 - 12
IEC 60947-7-2			
IEC	UL/CUL	CSA	IEC/EN 60079-7
-	-	-	-
1.5	-	-	-
24 - 16	24-16	-	-
0.5 - 1.5			
0.25 - 0.34			
24 - 16			
100			
IEC 60947-7-2			
IEC	UL/CUL	CSA	IEC/EN 60079-7
-	-	-	-
1.5	-	-	-
26 - 12	24-16	-	-
solid	stranded	Ferrule	
		Without / with plastic sleeve	
0.14 - 4	0.14 - 2.5	0.14 - 2.5	0.14 - 2.5
0.14 - 1.5	0.14 - 1.5	0.14 - 1.5	-
			0.5 - 1.5
9			
M3			
0.5 - 0.6			
PA			
V0			

Ordering data		
Type	Order No.	Pcs. / Pkt.
QTCU 1,5-TWIN-PE	3050060	50

Ordering data		
Type	Order No.	Pcs. / Pkt.
QTCU 2,5-TWIN-PE	3050329	50

Ordering data		
Type	Order No.	Pcs. / Pkt.
QTTCBU 1,5-PE	3050277	50

Accessories ¹⁾		
D-QTCU 1,5-TWIN	3206296	50
DS-QTC 1,5	3205200	50
FBS 2-5	3030161	50
FBS 3-5	3030174	50
FBS 4-5	3030187	50
FBS 5-5	3030190	50
FBS 10-5	3030213	10
FBS 20-5	3030226	10
ATP-QTC TWIN	3206212	50
PS-5	3030983	10

Accessories ¹⁾		
D-QTCU 2,5 TWIN	3050510	50
DS-QTC 2,5	3206607	50
FBS 2-6	3030336	50
FBS 3-6	3030242	50
FBS 4-6	3030255	50
FBS 5-6	3030349	50
FBS 10-6	3030271	10
FBS 20-6	3030365	10
ATP-QTC TWIN	3206212	50
PS-6	3030996	10

Accessories ¹⁾		
D-QTTCBU 1,5	3050536	50
FBS 2-5	3030161	50
FBS 3-5	3030174	50
FBS 4-5	3030187	50
FBS 5-5	3030190	50
FBS 10-5	3030213	10
FBS 20-5	3030226	10
ATP-QTTCB	3206238	50
PS-5	3030983	10

UC-TM 5, UCT-TM 5 or ZB 5
(see Catalog 5)
UC-TMF 5, UCT-TMF 5 or ZBF 5
(see Catalog 5)

UC-TM 6, UCT-TM 6 or ZB 6
(see Catalog 5)
UC-TMF 6, UCT-TMF 6 or ZBF 6
(see Catalog 5)

UC-TMF 5, UCT-TMF 5 or ZBF 5
(see Catalog 5)

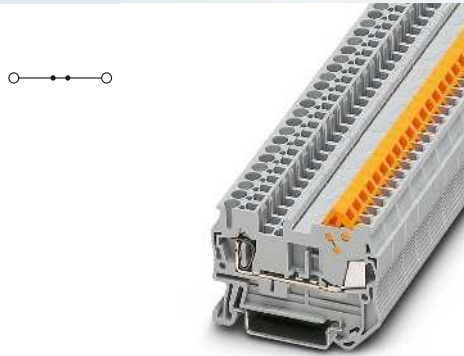
Modular terminal blocks - CLIPLINE complete

QT fast connection terminal blocks

QTCS ... hybrid feed-through terminal blocks with spring-cage connection on one side

- The hybrid variants combine the advantages of the different connection methods
- On the control cabinet side, the time-saving QUICKON fast connection is used
- The spring-cage connection is used on the connection side

Notes:
For more plug-in bridges, see page 472..
1) The total current of all connected conductors must not exceed the max. load current.
2) For installation notes on the use of accessories for Ex e applications, see page 710.



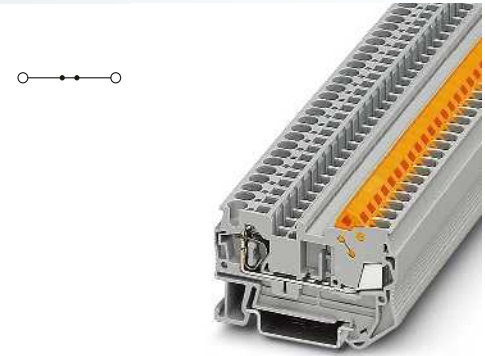
1.5 (1.5) mm², 17.5 A, feed-through terminal block



Ex: KEMA 04ATEX2226 U / IECEx KEM 07.0007U

Technical data

Width	Length	Height NS 35/7,5		
5.2	54.4	39.3		
I _{max} [A]	U _{max} [V]	max. Ø [mm ²]	AWG	
17.5	800	0.08 - 4	28 - 12	
IEC 60947-7-1				
IEC	UL/CUL	CSA	IEC/EN 60079-7	
Rated voltage [V]	800	600	-	550
Nominal current / cross section [A] / [mm ²]	17.5 / 1.5	10 / -	-	17 / 1.5 // 17 / 1.5
Rated cross section [mm ²]	1.5	-	-	1.5
Cross section range AWG	24 - 16	24-16	-	24 - 16
Connection cross section in acc. with DIN VDE 0295				
H05V(Z) / H07V(Z)	[mm ²]			
Class 5 / Class 6 [litz wires Ø ≥ 0.1 mm]	[mm ²]			
[Litz wires Ø ≥ 0.19 mm]	AWG			
Frequency of connections with the same cross section	100			



2.5 (2.5) mm², 24 A, feed-through terminal block



Ex: KEMA 05ATEX2148 U / IECEx KEM 07.0010U

Technical data

Width	Length	Height NS 35/7,5		
6.2	59.7	39.3		
I _{max} [A]	U _{max} [V]	max. Ø [mm ²]	AWG	
24	800	0.08 - 6	28 - 10	
IEC 60947-7-1				
IEC	UL/CUL	CSA	IEC/EN 60079-7	
Rated voltage [V]	800	600	-	550
Nominal current / cross section [A] / [mm ²]	24 / 2.5	15 / -	-	22.5 / 2.5 // 22.5 / 2.5
Rated cross section [mm ²]	2.5	-	-	2.5
Cross section range AWG	20 - 14	20-14	-	20 - 14
Connection cross section in acc. with DIN VDE 0295				
H05V(Z) / H07V(Z)	[mm ²]			
Class 5 / Class 6 [litz wires Ø ≥ 0.1 mm]	[mm ²]			
[Litz wires Ø ≥ 0.19 mm]	AWG			
Frequency of connections with the same cross section	100			

Dimensions

[mm]

Max. electrical data

[mm²]

Rated data, fast connection

[V]

[A] / [mm²]

[mm²]

AWG

Connection cross section in acc. with DIN VDE 0295

[mm²]

[mm²]

AWG

Frequency of connections with the same cross section

Rated data, spring-cage connection

[V]

[A] / [mm²]

[mm²]

AWG

Connection capacity of spring-cage connection

[mm²]

[mm²]

General data

[mm]

PA

VO

Description

No. of pos.

Color

Terminal block, for mounting on NS 35...

gray

With potential distribution¹⁾

blue
gray

Cover, width 2.2 mm

gray

End cover segment, for covering multi-conductor terminal blocks when two-conductor terminal blocks are aligned

gray

Plug-in bridge

2

red

5

red

20

red

Vertical potential bridge, to connect the upper and lower level

black

Partition plate, 2 mm width

gray

Modular test plug, for the individual assembly of test plug strips

red

Screwdriver

Center groove labeling

Center and lateral groove labeling

Ordering data

Type	I _{max}	Order No.	Pcs. / Pkt.
QTCS 1,5		3050138	50
QTCS 1,5 BU		3050141	50

Accessories²⁾

D-QTCS 1,5		3206270	50
FBS 2-5	24 A	3030161	50
FBS 5-5	24 A	3030190	50
FBS 20-5	24 A	3030226	10
ATP-QTC		3206209	50
PS-5		3030983	10
SZF 1-0,6X3,5		1204517	10

UC-TM 5, UCT-TM 5 or ZB 5 (see Catalog 5)
UC-TMF 5, UCT-TMF 5 or ZBF 5 (see Catalog 5)

Ordering data

Type	I _{max}	Order No.	Pcs. / Pkt.
QTCS 2,5		3206500	50
QTCS 2,5 BU		3206513	50

Accessories²⁾

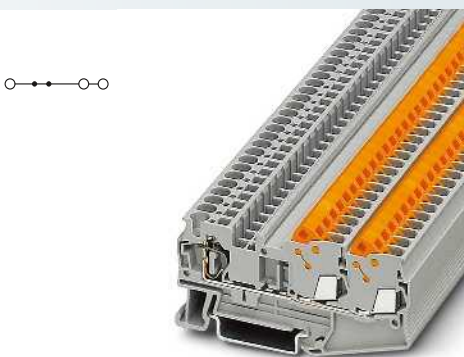
D-QTCS 2,5		3206584	50
FBS 2-6	32 A	3030336	50
FBS 5-6	32 A	3030349	50
FBS 20-6	32 A	3030365	10
ATP-QTC		3206209	50
PS-6		3030996	10
SZF 1-0,6X3,5		1204517	10

UC-TM 6, UCT-TM 6 or ZB 6 (see Catalog 5)
UC-TMF 6, UCT-TMF 6 or ZBF 6 (see Catalog 5)

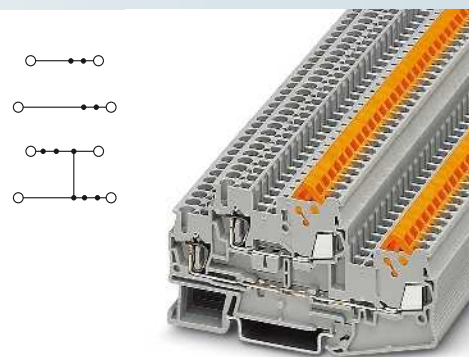
QT fast connection terminal blocks



1.5 (1.5) mm², 17.5 A, feed-through terminal block, 3 connections



2.5 (2.5) mm², 24 A, feed-through terminal block, 3 connections



1.5 (1.5) mm², 17.5 A, double-level terminal block



Ex: Ex Ex Ex
KEMA 04ATEX2226 U / IECEx KEM 07.0007U



Ex: Ex Ex Ex
KEMA 05ATEX2148 U / IECEx KEM 07.0010U



Technical data			
Width	Length	Height NS 35/7,5	
5.2	71.6	39.3	
I_{max} [A]	U_{max} [V]	max. Ø [mm ²]	AWG
17.5¹⁾	800	0.08 - 4	28 - 12
IEC 60947-7-1			
IEC	UL/CUL	CSA	IEC/ EN 60079-7
800	600	-	550
17.5 / 1.5	10 / -	-	17.5 / 1.5 // 17.5 / 1.5
1.5	-	-	1.5
24 - 16	24-16	-	24 - 16
0.5 - 1.5			
0.25 - 0.34			
24 - 16			
100			
IEC 60947-7-1			
IEC	UL/CUL	CSA	IEC/ EN 60079-7
800	600	-	550
17.5 / 1.5	10 / -	-	17.5 / 1.5 // 17.5 / 1.5
1.5	-	-	1.5
28 - 12	24-16	-	28 - 12
solid	stranded	Ferrule	
0.08 - 4	0.08 - 2.5	Without / with plastic sleeve	
		0.14 - 2.5	0.14 - 2.5
		0.5	
10			
PA			
V0			

Technical data			
Width	Length	Height NS 35/7,5	
6.2	79.6	39.3	
I_{max} [A]	U_{max} [V]	max. Ø [mm ²]	AWG
24¹⁾	800	0.08 - 6	28 - 10
IEC 60947-7-1			
IEC	UL/CUL	CSA	IEC/ EN 60079-7
800	600	-	550
24 / 2.5	15 / -	-	22.5 / 2.5 // 22.5 / 2.5
2.5	-	-	2.5
20 - 14	20-14	-	20 - 14
0.5 - 2.5			
-			
20 - 14			
100			
IEC 60947-7-1			
IEC	UL/CUL	CSA	IEC/ EN 60079-7
800	600	-	550
24 / 2.5	15 / -	-	22.5 / 2.5 // 22.5 / 2.5
2.5	-	-	2.5
28 - 10	20-14	-	28 - 10
solid	stranded	Ferrule	
0.08 - 6	0.08 - 4	Without / with plastic sleeve	
		0.14 - 4	0.14 - 4
		0.5 - 1	
10			
PA			
V0			

Technical data			
Width	Length	Height NS 35/7,5	
5.2	88.2	49.9	
I_{max} [A]	U_{max} [V]	max. Ø [mm ²]	AWG
17.5	500	0.08 - 4	28 - 12
IEC 60947-7-1			
IEC	UL/CUL	CSA	IEC/ EN 60079-7
500	600	-	-
17.5 / 1.5	10 / -	-	-
1.5	-	-	-
24 - 16	24-16	-	-
0.5 - 1.5			
0.25 - 0.34			
24 - 16			
100			
IEC 60947-7-1			
IEC	UL/CUL	CSA	IEC/ EN 60079-7
500	600	-	-
17.5 / 1.5	10 / -	-	-
1.5	-	-	-
28 - 12	24-16	-	-
solid	stranded	Ferrule	
0.08 - 4	0.08 - 2.5	Without / with plastic sleeve	
		0.14 - 2.5	0.14 - 2.5
		0.5	
10			
PA			
V0			

Ordering data			
Type	I_{max}	Order No.	Pcs. / Pkt.
QTCS 1,5-TWIN		3206348	50
QTCS 1,5-TWIN BU		3206351	50

Ordering data			
Type	I_{max}	Order No.	Pcs. / Pkt.
QTCS 2,5-TWIN		3050332	50
QTCS 2,5-TWIN BU		3050345	50

Ordering data			
Type	I_{max}	Order No.	Pcs. / Pkt.
QTTCS 1,5		3050222	50
QTTCS 1,5 BU		3050235	50
QTTCS 1,5-PV		3206380	50

Accessories ²⁾			
D-QTCS 1,5-TWIN		3206403	50
DS-QTC 1,5		3205200	50
FBS 2-5	24 A	3030161	50
FBS 5-5	24 A	3030190	50
FBS 20-5	24 A	3030226	10
ATP-QTC TWIN		3206212	50
PS-5		3030983	10
SZF 1-0,6X3,5		1204517	10

Accessories ²⁾			
D-QTCS 2,5 TWIN		3050523	50
DS-QTC 2,5		3206607	50
FBS 2-6	32 A	3030336	50
FBS 5-6	32 A	3030349	50
FBS 20-6	32 A	3030365	10
ATP-QTC TWIN		3206212	50
PS-6		3030996	10
SZF 1-0,6X3,5		1204517	10

Accessories ²⁾			
D-QTTCS 1,5		3206335	50
FBS 2-5	24 A	3030161	50
FBS 5-5	24 A	3030190	50
FBS 20-5	24 A	3030226	10
FBS-PV		3032185	50
ATP-QTTCS		3206238	50
PS-5		3030983	10
SZF 1-0,6X3,5		1204517	10

UC-TM 5, UCT-TM 5 or ZB 5
(see Catalog 5)
UC-TMF 5, UCT-TMF 5 or ZBF 5
(see Catalog 5)

UC-TM 6, UCT-TM 6 or ZB 6
(see Catalog 5)
UC-TMF 6, UCT-TMF 6 or ZBF 6
(see Catalog 5)

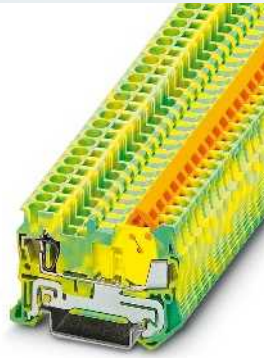
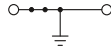
UC-TMF 5, UCT-TMF 5 or ZBF 5
(see Catalog 5)

Modular terminal blocks - CLIPLINE complete

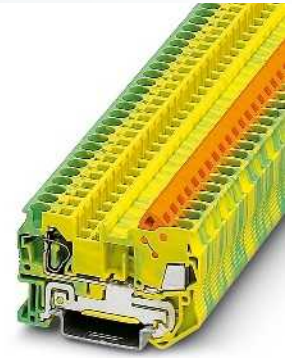
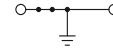
QT fast connection terminal blocks

QTCS ...-PE hybrid ground terminal blocks with spring-cage connection on one side

- Same shape and pitch as the feed-through terminal blocks
- Contact is made free from mechanical and electrical errors by simply snapping onto the DIN rail
- All the requirements of standard IEC 60947-7-2 are met



1.5 (1.5) mm², ground terminal block



2.5 (2.5) mm², ground terminal block

Notes:
For current carrying capacity of DIN rails, see page 716.
1) For installation notes on the use of accessories for Ex e applications, see page 710.

Ex: KEMA 04ATEX2226 U / IECEx KEM 07.0007U

Technical data				
Width	Length	Height NS 35/7,5		
5.2	54.4	39.3		
Max. electrical data		max. Ø [mm ²]	AWG	
		0.08 - 4	28 - 12	
IEC 60947-7-2				
IEC	UL/CUL	CSA	IEC/EN 60079-7	
Rated voltage	[V]	-	-	
Nominal current / cross section	[A] / [mm ²]	-	-	
Rated cross section	[mm ²]	1.5	1.5	
Cross section range	AWG	24 - 16	24 - 16	
Connection cross section in acc. with DIN VDE 0295				
H05V(Z) / H07V(Z)	[mm ²]	0.5 - 1.5		
Class 5 / Class 6 [litz wires Ø ≥ 0.1 mm]	[mm ²]	0.25 - 0.34		
[Litz wires Ø ≥ 0.19 mm]	AWG	24 - 16		
Frequency of connections with the same cross section				
100				
Rated data, spring-cage connection				
Rated voltage	[V]	-	-	
Nominal current / cross section	[A] / [mm ²]	-	-	
Rated cross section	[mm ²]	1.5	1.5	
Cross section range	AWG	28 - 12	28 - 12	
Connection capacity of spring-cage connection				
1 conductor	[mm ²]	0.08 - 4	0.08 - 2.5	0.14 - 2.5
Two conductors with a TWIN ferrule	[mm ²]	0.5		
General data				
Stripping length	[mm]	10		
Insulating material		PA		
Inflammability class according to UL 94		V0		

Ex: KEMA 05ATEX2148 U / IECEx KEM 07.0010U

Technical data				
Width	Length	Height NS 35/7,5		
6.2	59.7	39.3		
Max. electrical data		max. Ø [mm ²]	AWG	
		0.08 - 6	28 - 10	
IEC 60947-7-2				
IEC	UL/CUL	CSA	IEC/EN 60079-7	
Rated voltage	[V]	-	-	
Nominal current / cross section	[A] / [mm ²]	-	-	
Rated cross section	[mm ²]	2.5	2.5	
Cross section range	AWG	20 - 14	20 - 14	
Connection cross section in acc. with DIN VDE 0295				
H05V(Z) / H07V(Z)	[mm ²]	0.5 - 2.5		
Class 5 / Class 6 [litz wires Ø ≥ 0.1 mm]	[mm ²]	-		
[Litz wires Ø ≥ 0.19 mm]	AWG	20 - 14		
Frequency of connections with the same cross section				
100				
Rated data, spring-cage connection				
Rated voltage	[V]	-	-	
Nominal current / cross section	[A] / [mm ²]	-	-	
Rated cross section	[mm ²]	2.5	2.5	
Cross section range	AWG	28 - 10	28 - 10	
Connection capacity of spring-cage connection				
1 conductor	[mm ²]	0.08 - 6	0.08 - 4	0.14 - 4
Two conductors with a TWIN ferrule	[mm ²]	0.5 - 1		
General data				
Stripping length	[mm]	10		
Insulating material		PA		
Inflammability class according to UL 94		V0		

Description	No. of pos.	Color
Ground terminal block, for mounting on NS 35...		green-yellow

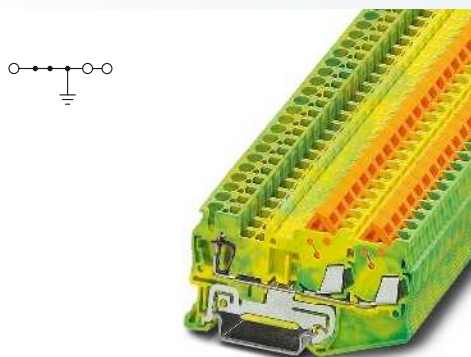
Ordering data		
Type	Order No.	Pcs. / Pkt.
QTCS 1,5-PE	3050154	50

Ordering data		
Type	Order No.	Pcs. / Pkt.
QTCS 2,5-PE	3206526	50

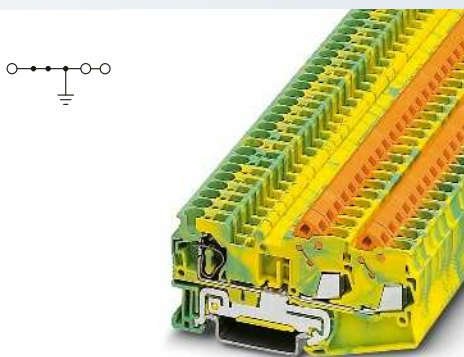
Accessories ¹⁾		
Cover, width 2.2 mm		gray
End cover segment, for covering multi-conductor terminal blocks when two-conductor terminal blocks are aligned		gray
Plug-in bridge		
	2	red
	3	red
	4	red
	5	red
	10	red
	20	red
Partition plate, 2 mm width		gray
Modular test plug, for the individual assembly of test plug strips		red
Screwdriver		
Center groove labeling		
Center and lateral groove labeling		

Accessories ¹⁾		
D-QTCS 1,5	3206270	50
FBS 2-5	3030161	50
FBS 3-5	3030174	50
FBS 4-5	3030187	50
FBS 5-5	3030190	50
FBS 10-5	3030213	10
FBS 20-5	3030226	10
ATP-QTC	3206209	50
PS-5	3030983	10
SZF 1-0,6X3,5	1204517	10
UC-TM 5, UCT-TM 5 or ZB 5 (see Catalog 5)		
UC-TMF 5, UCT-TMF 5 or ZBF 5 (see Catalog 5)		

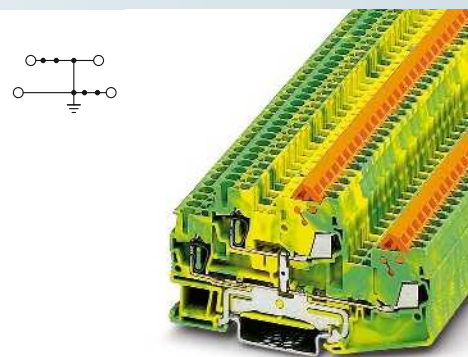
Accessories ¹⁾		
D-QTCS 2,5	3206584	50
FBS 2-6	3030336	50
FBS 3-6	3030242	50
FBS 4-6	3030255	50
FBS 5-6	3030349	50
FBS 10-6	3030271	10
FBS 20-6	3030365	10
ATP-QTC	3206209	50
PS-6	3030996	10
SZF 1-0,6X3,5	1204517	10
UC-TM 6, UCT-TM 6 or ZB 6 (see Catalog 5)		
UC-TMF 6, UCT-TMF 6 or ZBF 6 (see Catalog 5)		



1.5 (1.5) mm², ground terminal block,
3 connections



2.5 (2.5) mm², ground terminal block,
3 connections



1.5 (1.5) mm², double-level ground terminal
block



Ex: KEMA 04ATEX2226 U / IECEx KEM 07.0007U

Technical data

Width	Length	Height NS 35/7,5	
5.2	71.6	39.3	
max. Ø [mm ²]		AWG	
0.08 - 4		28 - 12	
IEC 60947-7-2			
IEC	UL/CUL	CSA	IEC/ EN 60079-7
-	-	-	-
1.5	-	-	1.5
24 - 16	24-16	-	24 - 16

0.5 - 1.5
0.25 - 0.34
24 - 16
100

IEC 60947-7-2	UL/CUL	CSA	IEC/ EN 60079-7
-	-	-	-
1.5	-	-	1.5
28 - 12	24-16	-	28 - 12

solid stranded Ferrule
Without / with plastic sleeve
0.08 - 4 0.08 - 2.5 0.14 - 2.5 0.14 - 2.5
0.5

10
PA
V0

Ordering data

Type	Order No.	Pcs. / Pkt.
QTCS 1,5-TWIN-PE	3206364	50

Accessories¹⁾

D-QTCS 1,5-TWIN	3206403	50
DS-QTC 1,5	3205200	50
FBS 2-5	3030161	50
FBS 3-5	3030174	50
FBS 4-5	3030187	50
FBS 5-5	3030190	50
FBS 10-5	3030213	10
FBS 20-5	3030226	10
ATP-QTC TWIN	3206212	50
PS-5	3030983	10
SZF 1-0,6X3,5	1204517	10

UC-TM 5, UCT-TM 5 or ZB 5
(see Catalog 5)
UC-TMF 5, UCT-TMF 5 or ZBF 5
(see Catalog 5)



Ex: KEMA 05ATEX2148 U / IECEx KEM 07.0010U

Technical data

Width	Length	Height NS 35/7,5	
6.2	79.6	39.3	
max. Ø [mm ²]		AWG	
0.08 - 6		28 - 10	
IEC 60947-7-2			
IEC	UL/CUL	CSA	IEC/ EN 60079-7
-	-	-	-
2.5	-	-	2.5
20 - 14	20-14	-	20 - 14

0.5 - 2.5
-
20 - 14
100

IEC 60947-7-2	UL/CUL	CSA	IEC/ EN 60079-7
-	-	-	-
2.5	-	-	2.5
28 - 10	20-14	-	28 - 10

solid stranded Ferrule
Without / with plastic sleeve
0.08 - 6 0.08 - 4 0.14 - 4 0.14 - 4
0.5 - 1

10
PA
V0

Ordering data

Type	Order No.	Pcs. / Pkt.
QTCS 2,5-TWIN-PE	3050358	50

Accessories¹⁾

D-QTCS 2,5 TWIN	3050523	50
DS-QTC 2,5	3206607	50
FBS 2-6	3030336	50
FBS 3-6	3030242	50
FBS 4-6	3030255	50
FBS 5-6	3030349	50
FBS 10-6	3030271	10
FBS 20-6	3030365	10
ATP-QTC TWIN	3206212	50
PS-6	3030996	10
SZF 1-0,6X3,5	1204517	10

UC-TM 6, UCT-TM 6 or ZB 6
(see Catalog 5)
UC-TMF 6, UCT-TMF 6 or ZBF 6
(see Catalog 5)



Ex: KEMA 05ATEX2148 U / IECEx KEM 07.0010U

Technical data

Width	Length	Height NS 35/7,5	
5.2	88.2	49.9	
max. Ø [mm ²]		AWG	
0.08 - 4		28 - 12	
IEC 60947-7-2			
IEC	UL/CUL	CSA	IEC/ EN 60079-7
-	-	-	-
1.5	-	-	1.5
24 - 16	24-16	-	24 - 16

0.5 - 1.5
0.25 - 0.34
24 - 16
100

IEC 60947-7-2	UL/CUL	CSA	IEC/ EN 60079-7
-	-	-	-
1.5	-	-	1.5
28 - 12	24-16	-	28 - 12

solid stranded Ferrule
Without / with plastic sleeve
0.08 - 4 0.08 - 2.5 0.14 - 2.5 0.14 - 2.5
0.5

10
PA
V0

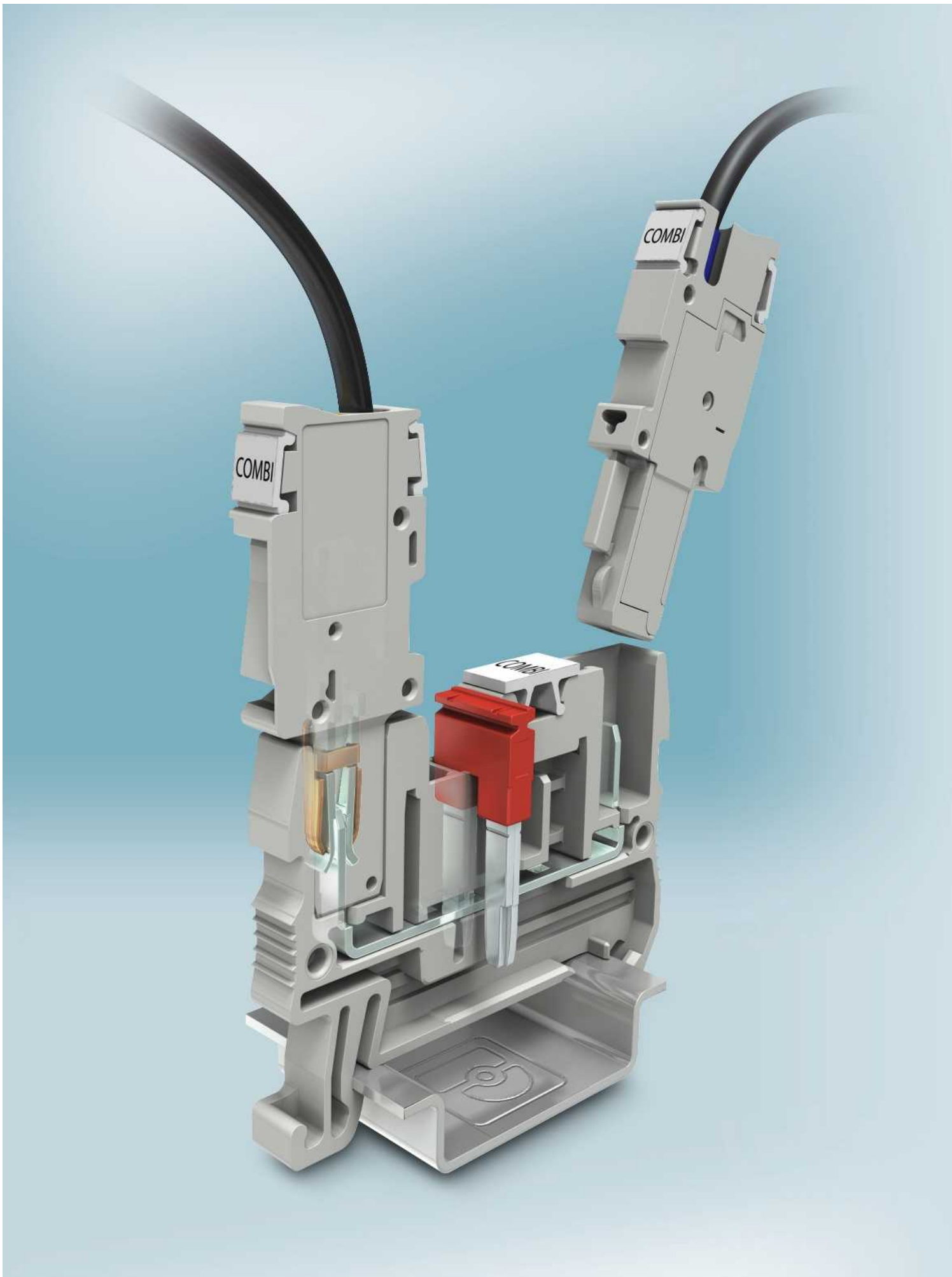
Ordering data

Type	Order No.	Pcs. / Pkt.
QTTCBS 1,5-PE	3050248	50

Accessories¹⁾

D-QTTCBS 1,5	3206335	50
FBS 2-5	3030161	50
FBS 3-5	3030174	50
FBS 4-5	3030187	50
FBS 5-5	3030190	50
FBS 10-5	3030213	10
FBS 20-5	3030226	10
ATP-QTTCB	3206238	50
PS-5	3030983	10
SZF 1-0,6X3,5	1204517	10

UC-TMF 5, UCT-TMF 5 or ZBF 5
(see Catalog 5)



COMBI plug-in connection solutions

The COMBI plug-in system enables the time-saving and modular configuration of your application. Its distinguishing feature is its standardized plug-in zone. This makes it possible to freely combine basic terminal blocks, which are available with screw, push-in, spring-cage, and fast connection technology.

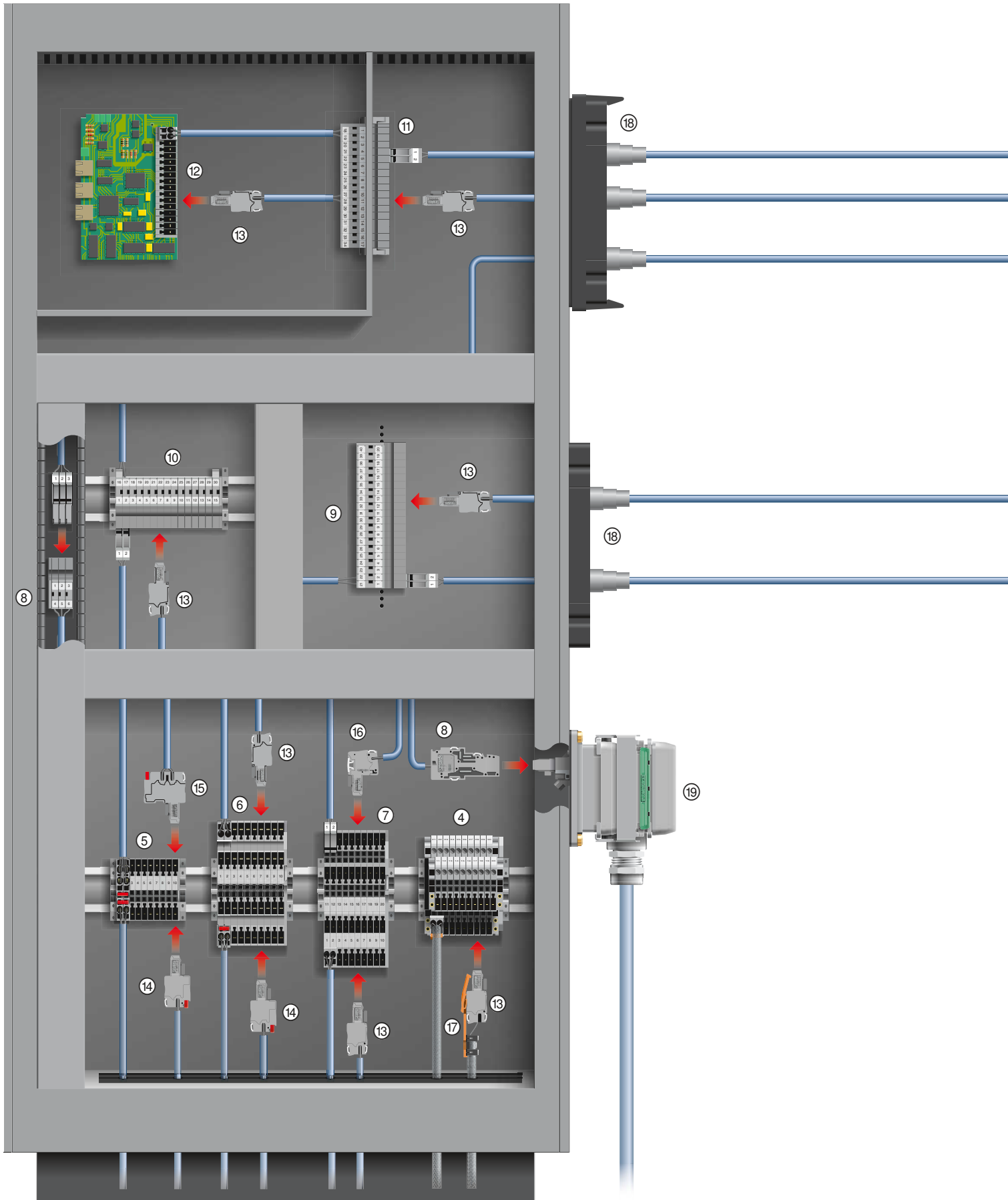
The nominal data of up to 41 A and 1000 V has made a plug-in system for signal and power wiring possible. The system meets the most stringent of vibration requirements. Both the terminal blocks and the plugs are touch proof.

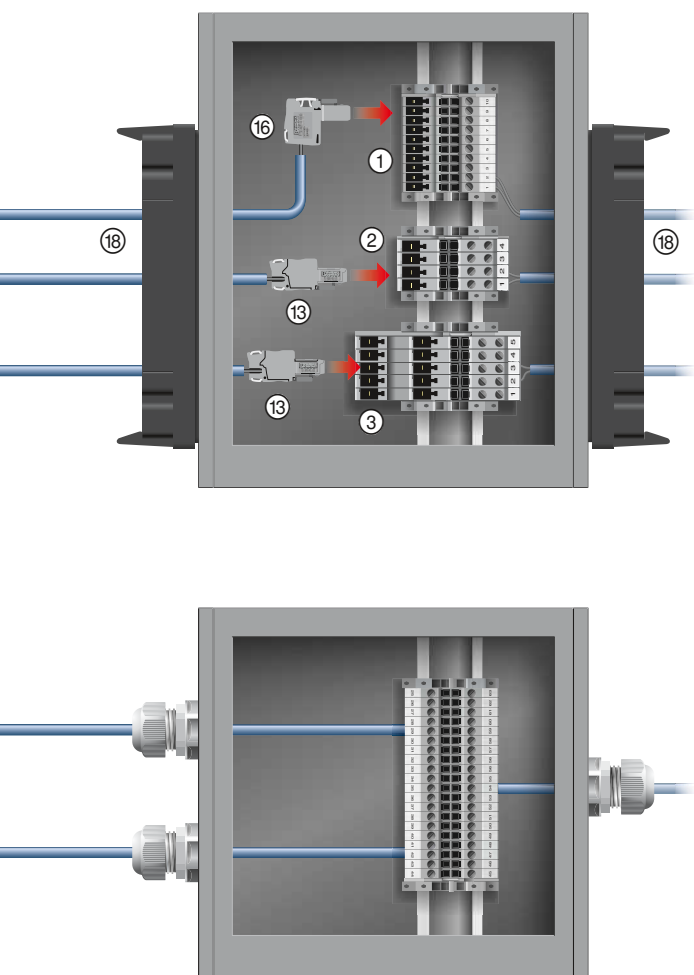
In addition, all plugs can be individually assembled, i.e., they can be adapted to match the required number of positions in each application. The COMBI plug-in system can be combined with the CES cable entry system (see Catalog 4) by routing the pre-assembled cables with a high degree of protection (IP54/65) into control cabinets and housing in a manner that saves space. This produces a quick and low-cost alternative to using heavy-duty plug-in connectors.

Product range overview

Plug-in modular terminal blocks	330
Cross-reference list: terminal blocks/plugs	332
Feed-through terminal blocks with screw connection	336
Ground terminal blocks with screw connection	338
Double-level terminal blocks with screw connection	344
Plug-in test disconnect terminal blocks	346
Feed-through terminal blocks with push-in connection	348
Ground terminal blocks with push-in connection	350
Multi-conductor terminal blocks with push-in connection	352
Double-level terminal blocks with push-in connection	358
PIN/PIN feed-through and double-level terminal blocks	361
PIN/PIN ground terminal blocks	363
Feed-through terminal blocks with spring-cage connection	376
Ground terminal blocks with spring-cage connection	378
Double-level terminal blocks with spring-cage connection	380
Knife disconnect terminal blocks with spring-cage connection	386
Four-level terminal blocks with spring-cage connection	389
Feed-through and ground terminal blocks with fast connection	390
Couplings	392
Couplings with push-in connection	392
Couplings with spring-cage connection	398
Base strips for PCB connection	406
Plugs	408
Plugs with screw connection	408
Plugs with push-in connection	412
Plugs with spring-cage connection	416
Plugs with fast connection	424
Accessories	426
Cross-reference list: COMBI accessories	426
Strain relief, latching	428
Shielding, cable housing	430
Self-locking flange covers	435
Special connection solutions	438
High-current plug-in connectors with screw connection	438
Headers for DIN rail mounting, with screw connection	441
Plug-in blocks for DIN rail mounting, with screw connection	442

Cabling options with the COMBI plug-in system





- ① Feed-through terminal blocks with one connector outlet
- ② Multi-conductor terminal blocks with one connector outlet
- ③ Multi-conductor terminal blocks with two connector outlets
- ④ Double-level terminal blocks with one connector outlet per level
- ⑤ PIN/PIN feed-through terminal blocks
- ⑥ PIN/PIN multi-conductor terminal blocks
- ⑦ PIN/PIN double-level terminal blocks
- ⑧ Couplings for free-hanging connections
- ⑨ Couplings with engagement pin for direct mounting
- ⑩ Couplings for DIN rail mounting
- ⑪ Coupling for panel feed-through
- ⑫ Base strip for the PCB connection
- ⑬ Plug with conductor exit in plug-in direction
- ⑭ Bridgeable plug with conductor exit in plug-in direction
- ⑮ Bridgeable two-conductor plug with conductor exit in plug-in direction
- ⑯ Plug with conductor exit perpendicular to plug-in direction
- ⑰ Optional snap-on plug accessories, e.g., latching with shield connection
- ⑱ CES cable entry system with IP54/65 protection, see Catalog 4
- ⑲ DUPLICON IP67 heavy-duty plug-in connector, see Catalog 4

From the control cabinet to a complete system - it is impossible to imagine today's applications without plug-in solutions. It is here that the COMBI plug-in system offers users unlimited flexibility. From supplying the control cabinet and the power and control components, right up to the quick installation of distributed system parts, the COMBI plug-in system always delivers the perfect solution.

The advantages of this system are numerous. Plug-in components within the control cabinet can be both installed and uninstalled quickly and easily. The plug-in ring feeders guarantee the safe supply of power between the control cabinets. Free-hanging couplings are not only suitable for wiring in the smallest of spaces; they can also be used to lengthen pre-assembled ca-

bles without any problems.

The COMBI base strips enable the plug-in wiring of electronic devices or components.







The CES cable entry systems allow users to route up to 40 pre-assembled plugs into the control cabinet while maintaining IP54/65 protection. In the case of increased requirements, such as protection up to IP67 or connecting control cabinets in harsh industrial environments, DUPLICON is the ideal connection component.

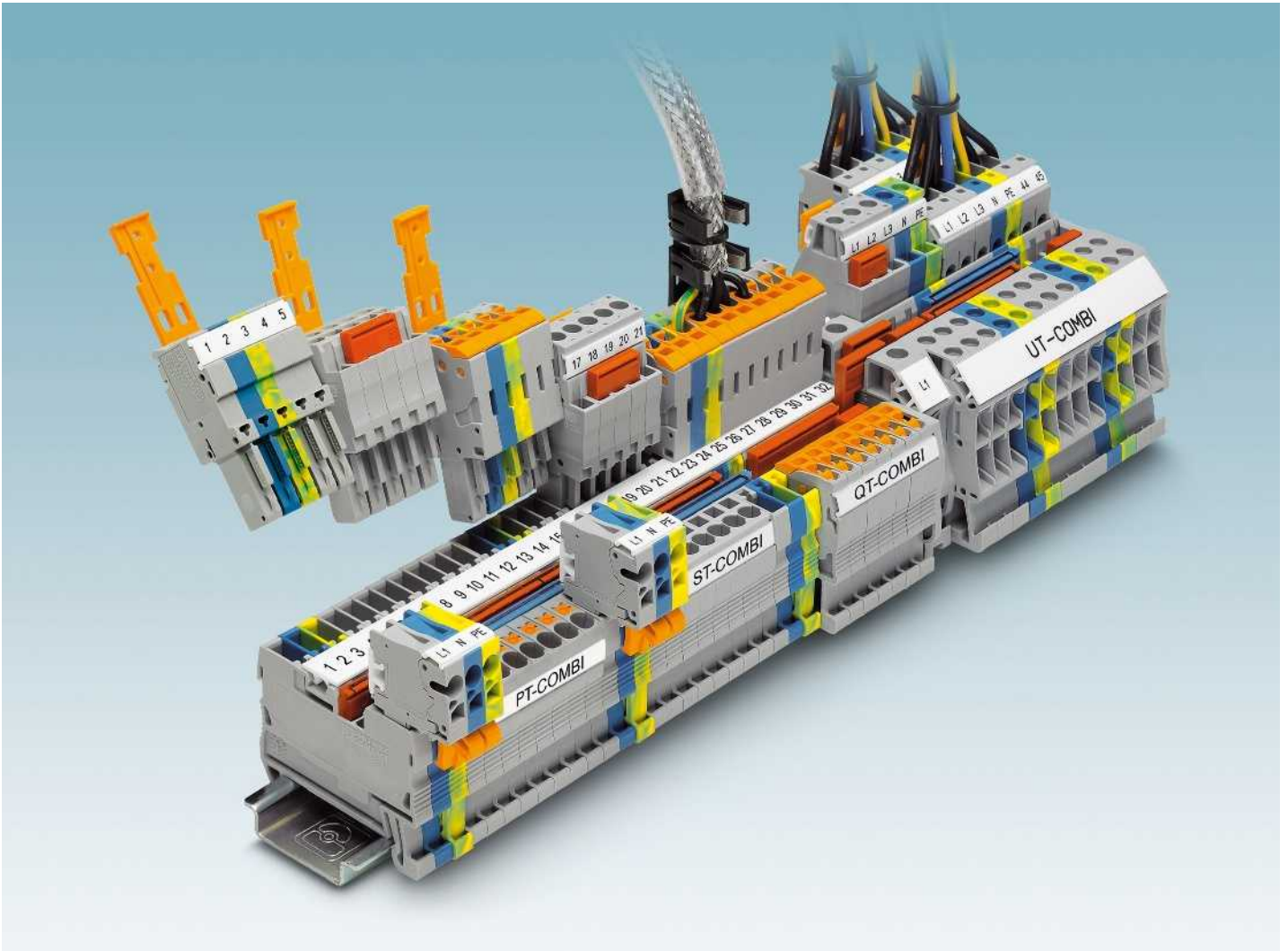
The flexible and varied possibilities offered by the COMBI system's standardized plug-in zone have won over some well-known companies. Rittal has opted for the COMBI system and has integrated the plug-in zone into the new RILine 60 device adapter.

Modular terminal blocks - CLIPLINE complete

COMBI plug-in connection solutions

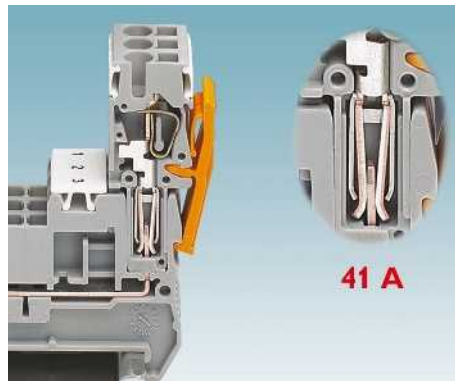
Cross-reference list: terminal blocks/plugs

Terminal block	Plug	UT screw connection				PT push-in connection	
		UPBV 2,5... Page 408	UPBV 4... Page 409	UP 4... Page 409	UP 6... Page 409	PP-H 1,5/S Page 412	PP-H 2,5 Page 413
							
Feed-through terminal blocks							
UT 2,5/1P	Page 336						
UT 4/1P	Page 337						
UT 6/1P	Page 337						
PT 1,5/S/1P / MPT 1,5/S/1P	Page 348						
PT 2,5/1P, ST 2,5/1P	Page 349						
PT 4/1P, ST 4/1P	Page 349						
PT 6/1P	Page 349						
QTC 1,5/1P	Page 390						
Feed-through terminal blocks, three connections							
UT 2,5-TWIN/1P	Page 340						
UT 4-TWIN/1P	Page 341						
PT 1,5/S-TWIN/1P	Page 352						
PT 2,5-TWIN/1P, ST 2,5-TWIN/1P	Page 353						
Knife disconnect terminal blocks							
ST 2,5-TWIN-MT/1P	Page 387						
ST 2,5-TWIN-TG/1P	Page 386						
Feed-through terminal blocks, four connections							
UT 4-QUATTRO/2P	Page 341						
UT 6-QUATTRO/2P	Page 341						
PT 1,5/S-QUATTRO/2P	Page 354						
PT 2,5-QUATTRO/2P, ST 2,5-QUATTRO/2P	Page 355						
PT 6-QUATTRO/2P	Page 355						
ST 4-QUATTRO/2P	Page 377						
Double-level terminal blocks							
UTTB 2,5/2P	Page 344						
PTTB 1,5/S/2P	Page 358						
PTTB 2,5/2P	Page 359						
STTB 2,5/2P	Page 380						
QTTCB 1,5/2P	Page 391						
PIN-PIN versions							
ST 2,5/2P	Page 361						
ST 4/2P	Page 361						
ST 2,5-QUATTRO/4P	Page 361						
STTB 2,5/4P	Page 365						
Couplings							
PPC 1,5/S	Page 392						
PPC 6/...	Page 393						
SC 2,5/...	Page 398						
SC 4/...	Page 398						
Couplings with engagement pin							
SC 2,5-RZ/...	Page 400						
SC 4-RZ/...	Page 402						
Couplings with snap-on foot							
PPC 1,5/S-NS/1-L	Page 396						
PPC 6-NS/1-L	Page 395						
SC 2,5-NS/1-L	Page 404						
SC 4-NS/1-L	Page 404						
Base strip for PCB connection							
ST 2,5-PCB/...G-5,2	Page 406						
ST 4-PCB/...G-6,2	Page 406						
ST 2,5-PCBV/...G-5,2	Page 407						
ST 4-PCBV/...G-6,2	Page 407						



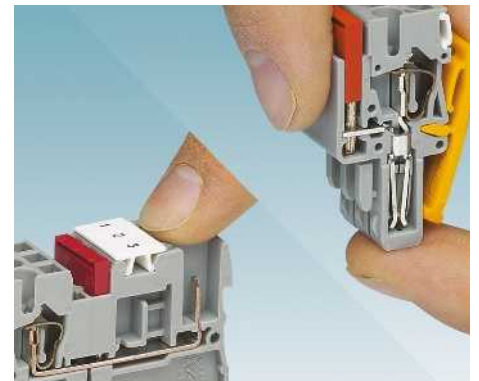
Flexible and plug-in

The COMBI family offers a free choice of connection methods. The standardized COMBI plug-in zone allows terminal blocks and connectors to be combined to suit the application regardless of connection method.



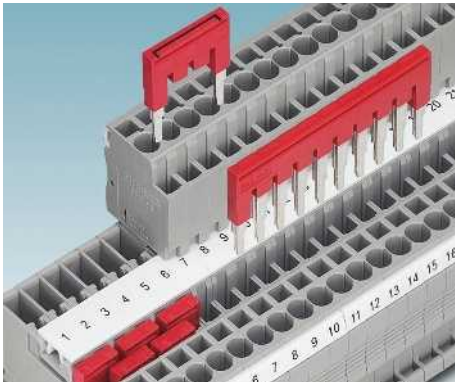
Powerful contact

The COMBI plug-in system enables a plug-in wiring solution up to a nominal current of 41 A and a nominal voltage of 1000 V to be implemented. The contact system features an integrated covering spring so that it can withstand extreme vibration levels.

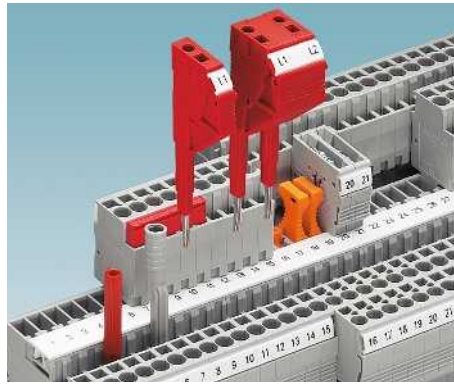


Touch proof

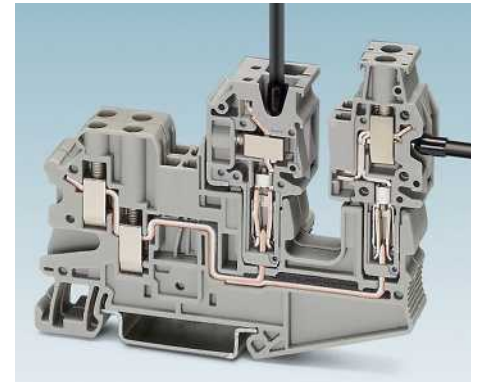
The COMBI system offers the highest levels of protection for users, as both the basic terminal blocks and the plugs are touch proof. Alongside the safety aspect, this offers great flexibility for configuration work: the supply may be routed via the terminal blocks or the plugs.



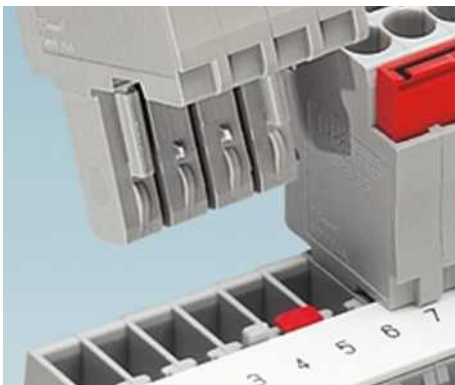
The standardized bridge system enables up to 50 terminal blocks to be connected with one bridge in an efficient manner suited to the application. A jumping bridge can be created by removing individual forks.



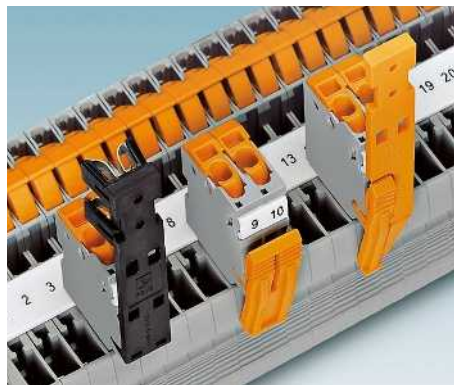
A test plug with a 2.3 mm diameter is available for measuring lines. All measurement and test work can be completed at speed using test adapters for 4 mm diameter test plugs and the modular test plugs.



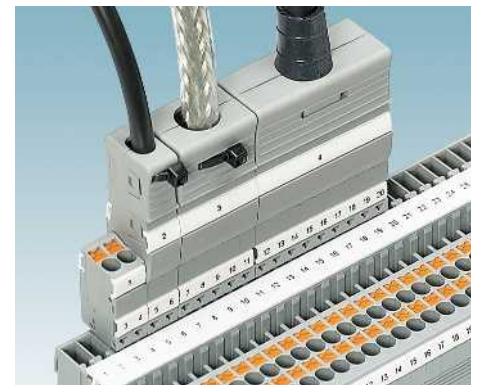
Connectors with different conductor output directions (to the side or upwards) allow for practical, efficient wiring. This results in great flexibility as required in various areas of application.



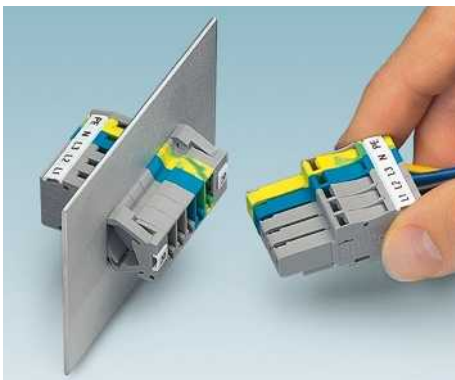
The simple and individual coding option increases wiring reliability and also protects against incorrect connection. To do this, the pin must be released from the connector, turned and inserted in the basic terminal block.



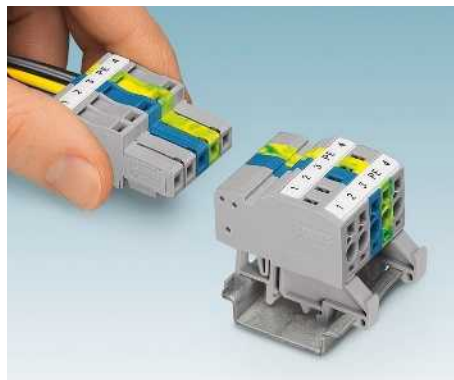
Snap-on strain relief is available if required to relieve the strain on cables at the connectors. Latching is also available and can be used to permanently fix connectors to basic terminal blocks.



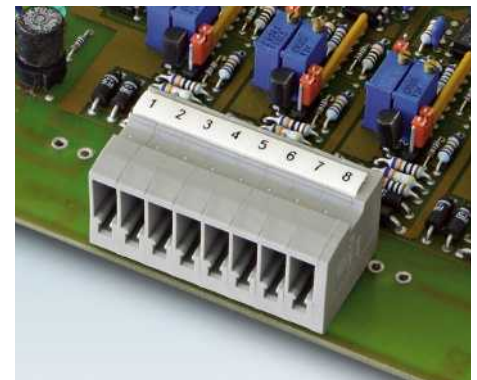
The cable housings are used for robust strain relief. These housings are split in two, making them easy to fit and safe to latch onto the COMBI plugs provided. Bend protection sleeves and shield connections are available as accessories.



Panel feed-throughs can be produced efficiently by simply snapping the panel feed-through SSL onto the standard coupling. The panel feed-through is slid into the cut-out and automatically latches into place.



A coupling version which can be fitted on rails offers a solution for applications with a low build height. The integrated duo foot allows for mounting on both NS 15 and NS 35 DIN rails.



The COMBI base strip is a modular PCB connection. Universal plug-in solutions from the DIN rail through to the device can therefore be implemented with the same plug.

COMBI plug-in connection solutions

UT-COMBI feed-through terminal blocks with screw connection

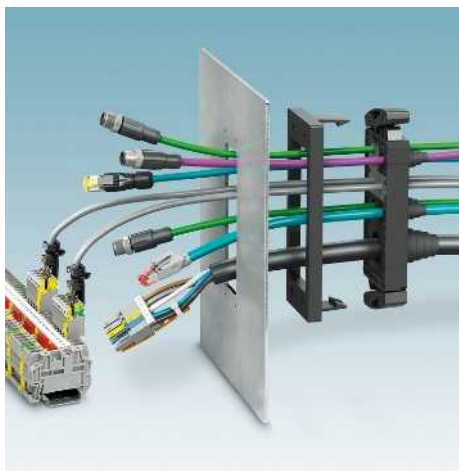


The plug-in UT-COMBI screw terminal block series is characterized by the system features of the standard UT terminal block series and those of the CLIPLINE complete system, as well as the following features:

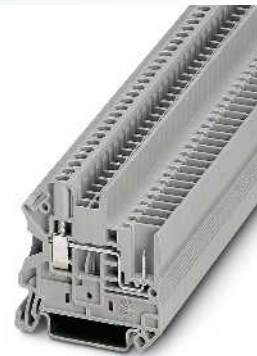
- Uniform, touch-proof plug-in zone
- Compatible with the standard UT terminal blocks
- For nominal currents up to 41 A
- For nominal voltages up to 1000 V
- Screw flange for securely latching connectors
- Terminal blocks which can be connected on both sides are available

Cable entry system

- The CES cable entry system (see Catalog 4) enables the easy and space-saving installation of pre-assembled cables with IP54/IP65 protection in the control cabinet, see figure below



Notes:
For screw flange, see page 436.
For terminal blocks which can be connected on both sides, see page 361.
For other accessories, see page 428.
¹⁾ For derating curve, visit www.phoenixcontact.net/products



2.5 (4) mm², 24 A, feed-through terminal block



Dimensions	
	[mm]
Max. electrical data	
Rated data	
Rated voltage	[V]
Nominal current / cross section	[A] / [mm ²]
Rated cross section	[mm ²]
Cross section range	AWG
Connection capacity	
1 conductor	[mm ²]
Two conductors (of the same type)	[mm ²]
Two stranded conductors with a TWIN ferrule	[mm ²]
General data	
Stripping length	[mm]
Screw thread	
Tightening torque	[Nm]
Insulating material	
Inflammability class according to UL 94	

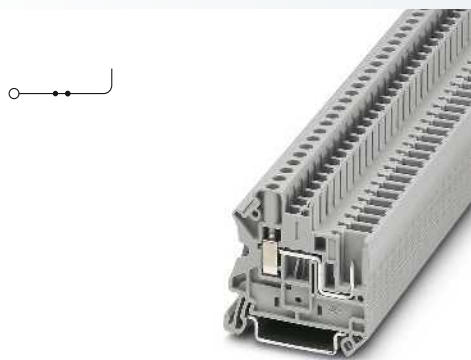
Technical data				
Width	Length	Height NS 35/7,5		
5.2	47.6	47.5		
I _{max} [A]	U _{max} [V]	max. Ø [mm ²]	AWG	
24 ¹⁾	500	0.14 - 4	26 - 12	
IEC 61984				
IEC	UL/CUL	CSA	IEC/EN 60079-7	
500	300	300	-	
24 ¹⁾ / 2.5	20 / -	20 / -	-	
2.5	-	-	-	
26 - 12	26-12	26-12	-	
solid	stranded		Ferrule	
			Without / with plastic sleeve	
0.14 - 4	0.14 - 4	0.14 - 2.5	0.14 - 2.5	
0.14 - 1.5	0.14 - 1.5	0.14 - 1.5	-	
			0.5 - 1.5	
9				
M3				
0.5 - 0.6				
PA				
V0				

Description	No. of pos.	Color
Terminal block, for mounting on NS 35...		gray blue

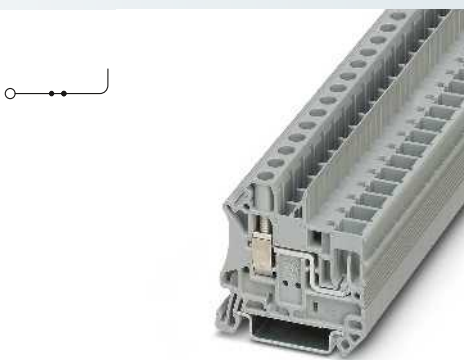
Ordering data			
Type	I _{max}	Order No.	Pcs. / Pkt.
UT 2,5/1P		3045017	50
UT 2,5/1P BU		3045020	50

Cover, width 2.2 mm		gray
Plug-in bridge		
	2	red
	3	red
	4	red
	5	red
	10	red
	20	red
Partition plate, 2 mm width		gray
Screw flange, for UT-COMBI terminal blocks, when using UPBV 2,5..., SP...2,5... or PP-H 2,5 plugs for UT 2,5/1P, UT 2,5/1P-PE		gray
Test adapter, 4-mm test socket hole		gray
Test plug metal part, 2.3 mm Ø		
Insulating sleeve, for MPS metal part		red
Modular test plug, for the individual assembly of test plug strips		red
Warning label, for UT series		yellow
Coding star, with 4 coding branches, can be inserted in all basic terminal blocks		red
Screwdriver		
Lateral groove labeling		

Accessories			
Type	I _{max}	Order No.	Pcs. / Pkt.
D-UT 2,5/1P		3047154	50
FBS 2-5	24 A	3030161	50
FBS 3-5	24 A	3030174	50
FBS 4-5	24 A	3030187	50
FBS 5-5	24 A	3030190	50
FBS 10-5	24 A	3030213	10
FBS 20-5	24 A	3030226	10
ATP-UT		3047167	50
UT 2,5/1P-F		3060445	50
PAI-4-N GY		3032871	10
MPS-MT		0201744	10
MPS-IH RD		0201676	10
PS-5		3030983	10
WS UT 2,5		3047923	10
PC		3040588	50
SF-SL 0,6X3,5-100 S-VDE		1212587	10
UC-TM 5, UCT-TM 5 or ZB 5 (see Catalog 5)			



4 (6) mm², 32 A, feed-through terminal block



6 (10) mm², 41 A, feed-through terminal block



Technical data			
Width	Length	Height NS 35/7,5	
6.2	47.6	47.5	
I_{max} [A]	U_{max} [V]	max. Ø [mm ²]	AWG
32 ¹⁾	800	0.14 - 6	26 - 10
IEC 61984			
IEC	UL/CUL	CSA	IEC/EN 60079-7
800	600	600	-
32 ¹⁾ / 4	30 / -	30	-
4	-	-	-
26 - 10	26-10	26-10	-
solid	stranded	Ferrule	
		Without / with plastic sleeve	
0.14 - 6	0.14 - 6	0.14 - 4	0.14 - 4
0.14 - 1.5	0.14 - 1.5	0.14 - 1.5	-
			0.5 - 2.5
9			
M3			
0.6 - 0.8			
PA			
V0			

Technical data			
Width	Length	Height NS 35/7,5	
8.2	49.1	47.5	
I_{max} [A]	U_{max} [V]	max. Ø [mm ²]	AWG
41 ¹⁾	1000	0.2 - 10	24 - 8
IEC 61984			
IEC	UL/CUL	CSA	IEC/EN 60079-7
1000	600	-	-
41 ¹⁾ / 6	40 / -	-	-
6	-	-	-
24 - 8	24-8	-	-
solid	stranded	Ferrule	
		Without / with plastic sleeve	
0.2 - 10	0.2 - 10	0.25 - 6	0.25 - 6
0.2 - 2.5	0.2 - 2.5	0.25 - 1.5	-
			0.5 - 4
10			
M4			
1.5 - 1.8			
PA			
V0			

Ordering data			
Type	I_{max}	Order No.	Pcs. / Pkt.
UT 4/ 1P		3045583	50
UT 4/ 1P BU		3045596	50

Ordering data			
Type	I_{max}	Order No.	Pcs. / Pkt.
UT 6/1P		3060539	50
UT 6/1P BU		3060542	50

Accessories			
D-UT 2,5/1P		3047154	50
FBS 2-6	32 A	3030336	50
FBS 3-6	32 A	3030242	50
FBS 4-6	32 A	3030255	50
FBS 5-6	32 A	3030349	50
FBS 10-6	32 A	3030271	10
FBS 20-6	32 A	3030365	10
ATP-UT		3047167	50
UT 4/ 1P-F		3060458	50
PAI-4-N GY		3032871	10
MPS-MT		0201744	10
MPS-IH RD		0201676	10
PS-6		3030996	10
WS UT 4		3047332	10
PC		3040588	50
SF-SL 0,6X3,5-100 S-VDE		1212587	10

Accessories			
D-UT 2,5/1P		3047154	50
FBS 2-8	41 A	3030284	10
FBS 3-8	41 A	3030297	10
FBS 4-8	41 A	3030307	10
FBS 5-8	41 A	3030310	10
FBS 10-8	41 A	3030323	10
ATP-UT		3047167	50
UT 4/ 1P-F		3060458	50
PAI-4-N GY		3032871	10
PS-8		3031005	10
WS UT 6		3047345	10
PC		3040588	50
SF-SL 0,8X4,0-100 S-VDE		1212588	10

UC-TM 6, UCT-TM 6 or ZB 6
(see Catalog 5)

UC-TM 8, UCT-TM 8 or ZB 8
(see Catalog 5)

COMBI plug-in connection solutions

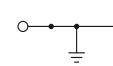
UT-COMBI ground terminal blocks with screw connection

- Same shape and pitch as the feed-through terminal blocks
- Contact is made free from mechanical and electrical errors by simply snapping onto the DIN rail
- All the requirements of IEC 61984 and IEC 60947-7-2 standard are met

Terminal strip service

We produce fully pre-assembled terminal strips for fitting straight into the control cabinet or switch system. This simplifies installation, saves time, and cuts costs.

Notes:
For current carrying capacity of DIN rails, see page 716.



2.5 (4) mm², ground terminal block



Dimensions		
		[mm]
Max. electrical data		
Rated data		
Rated voltage		[V]
Nominal current / cross section		[A] / [mm ²]
Rated cross section		[mm ²]
Cross section range		AWG
Connection capacity		
1 conductor		[mm ²]
Two conductors (of the same type)		[mm ²]
Two stranded conductors with a TWIN ferrule		[mm ²]
General data		
Stripping length		[mm]
Screw thread		
Tightening torque		[Nm]
Insulating material		
Inflammability class according to UL 94		

Technical data			
Width	Length	Height NS 35/7,5	
5.2	47.6	47.5	
		max. Ø [mm ²]	AWG
		0.14 - 4	26 - 12
IEC 61984			
IEC	UL/CUL	CSA	IEC/EN 60079-7
-	-	-	-
-	-/-	-	-
2.5	-	-	-
26 - 12	26-12	26-12	-
solid	stranded	Ferrule	
		Without / with plastic sleeve	
0.14 - 4	0.14 - 4	0.14 - 2.5	0.14 - 2.5
0.14 - 1.5	0.14 - 1.5	0.14 - 1.5	-
			0.5 - 1.5
9			
M3			
0.5 - 0.6			
PA			
V0			

Description	No. of pos.	Color
Ground terminal block, for mounting on NS 35...		green-yellow

Ordering data		
Type	Order No.	Pcs. / Pkt.
UT 2,5/1P-PE	3045033	50

Cover, width 2.2 mm		gray
Plug-in bridge		
	2	red
	3	red
	4	red
	5	red
	10	red
	20	red
Partition plate, 2 mm width		gray
Screw flange, for UT-COMBI terminal blocks, when using UPBV 2,5..., SP...2,5... or PP-H 2,5 plugs		gray
For UT 2,5/1P, UT 2,5/1P-PE		
Test adapter, 4-mm test socket hole		gray
Test plug metal part, 2.3 mm Ø		
Insulating sleeve, for MPS metal part		red
Modular test plug, for the individual assembly of test plug strips		red
Warning label, for UT series		yellow
Coding star, with 4 coding branches, can be inserted in all basic terminal blocks		red
Screwdriver		

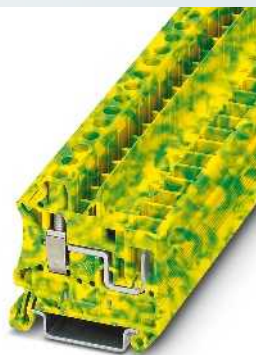
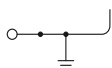
Accessories		
Type	Order No.	Pcs. / Pkt.
D-UT 2,5/1P	3047154	50
FBS 2-5	3030161	50
FBS 3-5	3030174	50
FBS 4-5	3030187	50
FBS 5-5	3030190	50
FBS 10-5	3030213	10
FBS 20-5	3030226	10
ATP-UT	3047167	50
UT 2,5/1P-F	3060445	50
PAI-4-N GY	3032871	10
MPS-MT	0201744	10
MPS-IH RD	0201676	10
PS-5	3030983	10
WS UT 2,5	3047923	10
PC	3040588	50
SF-SL 0,6X3,5-100 S-VDE	1212587	10

Lateral groove labeling
UC-TM 5, UCT-TM 5 or ZB 5 (see Catalog 5)





4 (6) mm², ground terminal block



6 (10) mm², ground terminal block



Technical data			
Width	Length	Height NS 35/7,5	
6.2	47.6	47.5	
		max. Ø [mm ²]	AWG
		0.14 - 6	26 - 10
IEC 61984			
IEC	UL/CUL	CSA	IEC/EN 60079-7
-	-	-	-
-	-/-	-	-
4	-	-	-
26 - 10	26-10	26-10	-
solid	stranded	Ferrule	
		Without / with plastic sleeve	
0.14 - 6	0.14 - 6	0.14 - 4	0.14 - 4
0.14 - 1.5	0.14 - 1.5	0.14 - 1.5	-
			0.5 - 2.5
9			
M3			
0.6 - 0.8			
PA			
V0			

Technical data			
Width	Length	Height NS 35/7,5	
8.2	49.1	47.5	
		max. Ø [mm ²]	AWG
		0.2 - 10	24 - 8
IEC 61984			
IEC	UL/CUL	CSA	IEC/EN 60079-7
-	-	-	-
-	-/-	-	-
6	-	-	-
24 - 8	24-8	-	-
solid	stranded	Ferrule	
		Without / with plastic sleeve	
0.2 - 10	0.2 - 10	0.25 - 6	0.25 - 6
0.2 - 2.5	0.2 - 2.5	0.25 - 1.5	-
			0.5 - 4
10			
M4			
1.5 - 1.8			
PA			
V0			

Ordering data		
Type	Order No.	Pcs. / Pkt.
UT 4/ 1P-PE	3045606	50

Ordering data		
Type	Order No.	Pcs. / Pkt.
UT 6/1P-PE	3060555	50

Accessories		
D-UT 2,5/1P	3047154	50
FBS 2-6	3030336	50
FBS 3-6	3030242	50
FBS 4-6	3030255	50
FBS 5-6	3030349	50
FBS 10-6	3030271	10
FBS 20-6	3030365	10
ATP-UT	3047167	50
UT 4/ 1P-F	3060458	50
PAI-4-N GY	3032871	10
MPS-MT	0201744	10
MPS-IH RD	0201676	10
PS-6	3030996	10
WS UT 4	3047332	10
PC	3040588	50
SF-SL 0,6X3,5-100 S-VDE	1212587	10

Accessories		
D-UT 2,5/1P	3047154	50
FBS 2-8	3030284	10
FBS 3-8	3030297	10
FBS 4-8	3030307	10
FBS 5-8	3030310	10
FBS 10-8	3030323	10
ATP-UT	3047167	50
UT 4/ 1P-F	3060458	50
PAI-4-N GY	3032871	10
PS-8	3031005	10
WS UT 6	3047345	10
PC	3040588	50
SF-SL 0,8X4,0-100 S-VDE	1212588	10

UC-TM 6, UCT-TM 6 or ZB 6
(see Catalog 5)

UC-TM 8, UCT-TM 8 or ZB 8
(see Catalog 5)

COMBI plug-in connection solutions

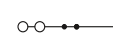
UT-COMBI feed-through terminal blocks with screw connection



- Connectors with different conductor output directions (to the side or upwards) allow for practical, efficient wiring. This results in great flexibility as required in various areas of application.
- Screw flange for securely latching connectors, see figure below



Notes:
For additional technical data, drawings, and accessories, please visit www.phoenixcontact.net/products .
For other accessories, see page 428.
1) The total current of all connected conductors must not exceed the max. load current.
2) For derating curve, visit www.phoenixcontact.net/products



2.5 (4) mm², 24 A, feed-through terminal block, 3 connections



Dimensions	
	[mm]
Max. electrical data	
Rated voltage	[V]
Nominal current / cross section	[A] / [mm ²]
Rated cross section	[mm ²]
Cross section range	AWG
Connection capacity	
1 conductor	[mm ²]
Two conductors (of the same type)	[mm ²]
Two stranded conductors with a TWIN ferrule	[mm ²]
General data	
Stripping length	[mm]
Screw thread	
Tightening torque	[Nm]
Insulating material	
Inflammability class according to UL 94	

Technical data				
Width	Length	Height NS 35/7,5		
5.2	55.7	47.5		
I _{max} [A]	U _{max} [V]	max. Ø [mm ²]	AWG	
24 ¹⁾	500	0.14 - 4	26 - 12	
IEC 61984				
IEC	UL/CUL	CSA	IEC/EN 60079-7	
500	300	-	-	
24 ²⁾ / 2.5	20 / -	-	-	
2.5	-	-	-	
26 - 12	26-12	-	-	
solid	stranded		Ferrule	
			Without / with plastic sleeve	
0.14 - 4	0.14 - 4	0.14 - 2.5	0.14 - 2.5	
0.14 - 1.5	0.14 - 1.5	0.14 - 1	-	
			0.5 - 1	
9				
M3				
0.5 - 0.6				
PA				
V0				

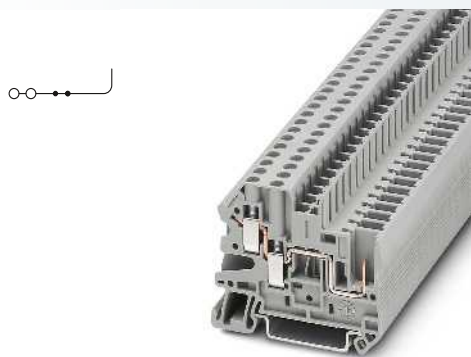
Description	No. of pos.	Color
Terminal block, for mounting on NS 35...		gray blue

Ordering data			
Type	I _{max}	Order No.	Pcs. / Pkt.
UT 2,5-TWIN/1P		3060490	50
UT 2,5-TWIN/1P BU		3060500	50

Cover, width 2.2 mm		gray
Plug-in bridge		
	2	red
	3	red
	4	red
	5	red
	10	red
	20	red
Partition plate, 2.2 mm wide		gray
Screw flange		gray
Test adapter, 4-mm test socket hole		gray
Test plug metal part, 2.3 mm Ø		
Insulating sleeve, for MPS metal part		red
Modular test plug, for the individual assembly of test plug strips		red
Warning label, for UT series		yellow
Coding star, with 4 coding branches, can be inserted in all basic terminal blocks		red
Screwdriver		

Accessories			
Type	I _{max}	Order No.	Pcs. / Pkt.
D-UT 4-TWIN/ 1P		3045237	50
FBS 2-5	24 A	3030161	50
FBS 3-5	24 A	3030174	50
FBS 4-5	24 A	3030187	50
FBS 5-5	24 A	3030190	50
FBS 10-5	24 A	3030213	10
FBS 20-5	24 A	3030226	10
ATP-UT-QUATTRO		3047196	50
UT 2,5-TWIN/1P-F		3061172	50
PAI-4-N GY		3032871	10
MPS-MT		0201744	10
MPS-IH RD		0201676	10
PS-5		3030983	10
WS UT 2,5		3047923	10
PC		3040588	50
SF-SL 0,6X3,5-100 S-VDE		1212587	10

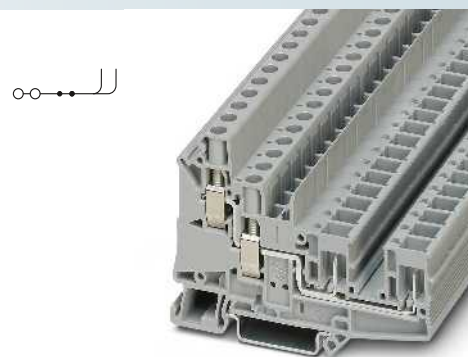
Lateral groove labeling
UC-TM 5, UCT-TM 5 or ZB 5 (see Catalog 5)



4 (6) mm², 32 A, feed-through terminal block, 3 connections



4 (6) mm², 32 A, feed-through terminal block, 4 connections



6 (10) mm², 41 A, feed-through terminal block, 4 connections



Technical data			
Width	Length	Height NS 35/7,5	
6.2	55.7	47.5	
I_{max} [A]	U_{max} [V]	max. Ø [mm ²]	AWG
32 ¹⁾	500	0.14 - 6	26 - 10
IEC 61984			
IEC	UL/CUL	CSA	IEC/EN 60079-7
500	600	300	-
32 ²⁾ / 4	30 / -	30	-
4	-	-	-
26 - 10	26-10	26-10	-
solid	stranded	Ferrule	
		Without / with plastic sleeve	
0.14 - 6	0.14 - 6	0.14 - 4	0.14 - 4
0.14 - 1.5	0.14 - 1.5	0.14 - 1.5	-
			0.5 - 1
9			
M3			
0.6 - 0.8			
PA			
V0			

Technical data			
Width	Length	Height NS 35/7,5	
6.2	82.4	47.5	
I_{max} [A]	U_{max} [V]	max. Ø [mm ²]	AWG
32 ¹⁾	500	0.14 - 6	26 - 10
IEC 61984			
IEC	UL/CUL	CSA	IEC/EN 60079-7
500	600	300	-
32 ²⁾ / 4	30 / -	30	-
4	-	-	-
26 - 10	26-10	26-10	-
solid	stranded	Ferrule	
		Without / with plastic sleeve	
0.14 - 6	0.14 - 6	0.14 - 4	0.14 - 4
0.14 - 1.5	0.14 - 1.5	0.14 - 1.5	-
			0.5 - 1
9			
M3			
0.6 - 0.8			
PA			
V0			

Technical data			
Width	Length	Height NS 35/7,5	
8.2	86.5	60	
I_{max} [A]	U_{max} [V]	max. Ø [mm ²]	AWG
41 ¹⁾	1000	0.2 - 10	24 - 8
IEC 61984			
IEC	UL/CUL	CSA	IEC/EN 60079-7
1000	600	-	-
41 ²⁾ / 6	40 / -	-	-
6	-	-	-
24 - 8	24-8	-	-
solid	stranded	Ferrule	
		Without / with plastic sleeve	
0.2 - 10	0.2 - 10	0.25 - 6	0.25 - 6
0.2 - 2.5	0.2 - 2.5	0.25 - 1.5	-
			0.5 - 4
10			
M4			
1.5 - 1.8			
PA			
V0			

Ordering data			
Type	I_{max}	Order No.	Pcs. / Pkt.
UT 4-TWIN/ 1P		3060267	50
UT 4-TWIN/ 1P BU		3060270	50

Ordering data			
Type	I_{max}	Order No.	Pcs. / Pkt.
UT 4-QUATTRO/ 2P		3060296	50
UT 4-QUATTRO/ 2P BU		3060306	50

Ordering data			
Type	I_{max}	Order No.	Pcs. / Pkt.
UT 6-QUATTRO/2P		3060568	50
UT 6-QUATTRO/2P BU		3060571	50

Accessories			
D-UT 4-TWIN/ 1P		3045237	50
FBS 2-6	32 A	3030336	50
FBS 3-6	32 A	3030242	50
FBS 4-6	32 A	3030255	50
FBS 5-6	32 A	3030349	50
FBS 10-6	32 A	3030271	10
FBS 20-6	32 A	3030365	10
ATP-UT-QUATTRO		3047196	50
UT 4-TWIN/ 1P-F		3060322	50
PAI-4-N GY		3032871	10
MPS-MT		0201744	10
MPS-IH RD		0201676	10
PS-6		3030996	10
WS UT 4		3047332	10
PC		3040588	50
SF-SL 0,6X3,5-100 S-VDE		1212587	10

Accessories			
D-UT 4-QUATTRO/ 2P		3045648	50
FBS 2-6	32 A	3030336	50
FBS 3-6	32 A	3030242	50
FBS 4-6	32 A	3030255	50
FBS 5-6	32 A	3030349	50
FBS 10-6	32 A	3030271	10
FBS 20-6	32 A	3030365	10
ATP-UT-QUATTRO		3047196	50
UT 4-QUATTRO/ 2P-F		3060335	50
PAI-4-N GY		3032871	10
MPS-MT		0201744	10
MPS-IH RD		0201676	10
PS-6		3030996	10
WS UT 4		3047332	10
PC		3040588	50
SF-SL 0,6X3,5-100 S-VDE		1212587	10

Accessories			
D-UT 6-QUATTRO/2P		3060607	50
FBS 2-8	41 A	3030284	10
FBS 3-8	41 A	3030297	10
FBS 4-8	41 A	3030307	10
FBS 5-8	41 A	3030310	10
FBS 10-8	41 A	3030323	10
ATP-QTTCB		3206238	50
UT 6-QUATTRO/2P-F		3060843	50
PAI-4-N GY		3032871	10
PS-8		3031005	10
WS UT 6		3047345	10
PC		3040588	50
SF-SL 0,8X4,0-100 S-VDE		1212588	10

UC-TM 6, UCT-TM 6 or ZB 6 (see Catalog 5)

UC-TM 6, UCT-TM 6 or ZB 6 (see Catalog 5)

UC-TM 8, UCT-TM 8 or ZB 8 (see Catalog 5)

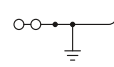
COMBI plug-in connection solutions

UT-COMBI ground terminal blocks with screw connection

- Same shape and pitch as the feed-through terminal blocks
- Contact is made free from mechanical and electrical errors by simply snapping onto the DIN rail
- All the requirements of standard IEC 61984 and IEC 60947-7-2 are met

CLIP PROJECT Planning enables the quick and convenient planning and configuration of fault-free terminal strips.

Notes:
For current carrying capacity of DIN rails, see page 716.



2.5 (4) mm², ground terminal block, 3 connections



Dimensions	
	[mm]
Max. electrical data	
Rated data	
Rated voltage	[V]
Nominal current / cross section	[A] / [mm ²]
Rated cross section	[mm ²]
Cross section range	AWG
Connection capacity	
1 conductor	[mm ²]
Two conductors (of the same type)	[mm ²]
Two stranded conductors with a TWIN ferrule	[mm ²]
General data	
Stripping length	[mm]
Screw thread	
Tightening torque	[Nm]
Insulating material	
Inflammability class according to UL 94	

Technical data			
Width	Length	Height NS 35/7,5	
5.2	55.7	47.5	
		max. Ø [mm ²]	AWG
		0.14 - 4	26 - 12
IEC 61984			
IEC	UL/CUL	CSA	IEC/EN 60079-7
-	-	-	-
-	-/-	-	-
2.5	-	-	-
26 - 12	26-12	-	-
solid	stranded	Ferrule	
		Without / with plastic sleeve	
0.14 - 4	0.14 - 4	0.14 - 2.5	0.14 - 2.5
0.14 - 1.5	0.14 - 1.5	0.14 - 1	-
			0.5 - 1

Description	No. of pos.	Color
Ground terminal block, for mounting on NS 35...		green-yellow

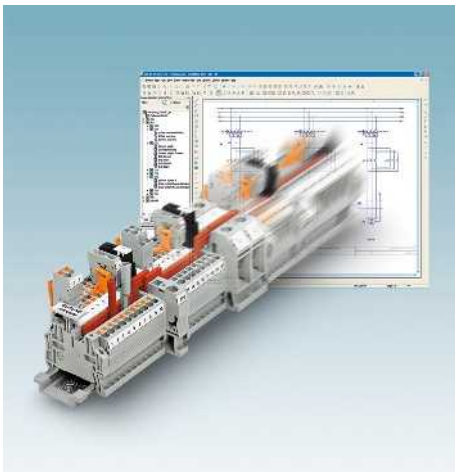
Ordering data		
Type	Order No.	Pcs. / Pkt.
UT 2,5-TWIN/1P-PE	3060513	50

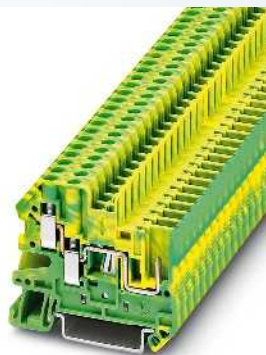
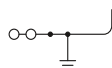
Cover, width 2.2 mm		gray
Plug-in bridge		
	2	red
	3	red
	4	red
	5	red
	10	red
	20	red
Partition plate, 2.2 mm wide		gray
Screw flange		gray
Test adapter, 4-mm test socket hole		gray
Test plug metal part, 2.3 mm Ø		
Insulating sleeve, for MPS metal part		red
Modular test plug, for the individual assembly of test plug strips		red
Warning label, for UT series		yellow
Coding star, with 4 coding branches, can be inserted in all basic terminal blocks		red
Screwdriver		

Accessories		
Type	Order No.	Pcs. / Pkt.
D-UT 4-TWIN/ 1P	3045237	50
FBS 2-5	3030161	50
FBS 3-5	3030174	50
FBS 4-5	3030187	50
FBS 5-5	3030190	50
FBS 10-5	3030213	10
FBS 20-5	3030226	10
ATP-UT-QUATTRO	3047196	50
UT 2,5-TWIN/1P-F	3061172	50
PAI-4-N GY	3032871	10
MPS-MT	0201744	10
MPS-IH RD	0201676	10
PS-5	3030983	10
WS UT 2,5	3047923	10
PC	3040588	50
SF-SL 0,6X3,5-100 S-VDE	1212587	10

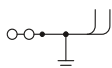
Lateral groove labeling

UC-TM 5, UCT-TM 5 or ZB 5 (see Catalog 5)

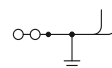




4 (6) mm², ground terminal block,
3 connections



4 (6) mm², ground terminal block,
4 connections



6 (10) mm², ground terminal block,
4 connections



Technical data			
Width	Length	Height NS 35/7,5	
6.2	55.7	47.5	
		max. Ø [mm ²]	AWG
		0.14 - 6	26 - 10
IEC 61984			
IEC	UL/CUL	CSA	IEC/ EN 60079-7
-	-	-	-
-	-/-	-	-
4	-	-	-
26 - 10	26-10	26-10	-
solid	stranded	Ferrule Without / with plastic sleeve	
0.14 - 6	0.14 - 6	0.14 - 4	0.14 - 4
0.14 - 1.5	0.14 - 1.5	0.14 - 1.5	-
			0.5 - 1
9			
M3			
0.6 - 0.8			
PA			
V0			

Technical data			
Width	Length	Height NS 35/7,5	
6.2	82.4	47.5	
		max. Ø [mm ²]	AWG
		0.14 - 6	26 - 10
IEC 61984			
IEC	UL/CUL	CSA	IEC/ EN 60079-7
-	-	-	-
-	-/-	-	-
4	-	-	-
26 - 10	26-10	26-10	-
solid	stranded	Ferrule Without / with plastic sleeve	
0.14 - 6	0.14 - 6	0.14 - 4	0.14 - 4
0.14 - 1.5	0.14 - 1.5	0.14 - 1.5	-
			0.5 - 1
9			
M3			
0.6 - 0.8			
PA			
V0			

Technical data			
Width	Length	Height NS 35/7,5	
8.2	86.5	60	
		max. Ø [mm ²]	AWG
		0.2 - 10	24 - 8
IEC 61984			
IEC	UL/CUL	CSA	IEC/ EN 60079-7
-	-	-	-
-	-/-	-	-
6	-	-	-
24 - 8	24-8	-	-
solid	stranded	Ferrule Without / with plastic sleeve	
0.2 - 10	0.2 - 10	0.25 - 6	0.25 - 6
0.2 - 2.5	0.2 - 2.5	0.25 - 1.5	-
			0.5 - 4
10			
M4			
1.5 - 1.8			
PA			
V0			

Ordering data		
Type	Order No.	Pcs. / Pkt.
UT 4-TWIN/ 1P-PE	3060283	50

Ordering data		
Type	Order No.	Pcs. / Pkt.
UT 4-QUATTRO/ 2P-PE	3060319	50

Ordering data		
Type	Order No.	Pcs. / Pkt.
UT 6-QUATTRO/2P-PE	3060584	50

Accessories		
D-UT 4-TWIN/ 1P	3045237	50
FBS 2-6	3030336	50
FBS 3-6	3030242	50
FBS 4-6	3030255	50
FBS 5-6	3030349	50
FBS 10-6	3030271	10
FBS 20-6	3030365	10
ATP-UT-QUATTRO	3047196	50
UT 4-TWIN/ 1P-F	3060322	50
PAI-4-N GY	3032871	10
MPS-MT	0201744	10
MPS-IH RD	0201676	10
PS-6	3030996	10
WS UT 4	3047332	10
PC	3040588	50
SF-SL 0,6X3,5-100 S-VDE	1212587	10

Accessories		
D-UT 4-QUATTRO/ 2P	3045648	50
FBS 2-6	3030336	50
FBS 3-6	3030242	50
FBS 4-6	3030255	50
FBS 5-6	3030349	50
FBS 10-6	3030271	10
FBS 20-6	3030365	10
ATP-UT-QUATTRO	3047196	50
UT 4-QUATTRO/ 2P-F	3060335	50
PAI-4-N GY	3032871	10
MPS-MT	0201744	10
MPS-IH RD	0201676	10
PS-6	3030996	10
WS UT 4	3047332	10
PC	3040588	50
SF-SL 0,6X3,5-100 S-VDE	1212587	10

Accessories		
D-UT 6-QUATTRO/2P	3060607	50
FBS 2-8	3030284	10
FBS 3-8	3030297	10
FBS 4-8	3030307	10
FBS 5-8	3030310	10
FBS 10-8	3030323	10
ATP-QTTCB	3206238	50
PAI-4-N GY	3032871	10
PS-8	3031005	10
WS UT 6	3047345	10
PC	3040588	50
SF-SL 0,8X4,0-100 S-VDE	1212588	10

UC-TM 6, UCT-TM 6 or ZB 6
(see Catalog 5)

UC-TM 6, UCT-TM 6 or ZB 6
(see Catalog 5)

UC-TM 8, UCT-TM 8 or ZB 8
(see Catalog 5)

COMBI plug-in connection solutions

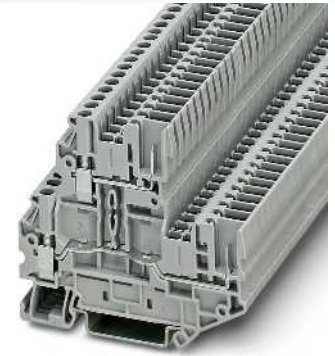
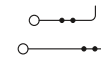
UT-COMBI double-level terminal blocks with screw connection

- Potential managed on two levels
- Amount of space required is reduced by 50% compared to single-level terminal blocks
- Separate potentials can be managed as there are two bridge shafts on each level
- Cross connection to any number of terminal blocks with the FBS ... continuous plug-in bridge system
- Replacement, e.g., for supply with heavy-duty plug-in connectors in the control cabinet

UTTBTB ...-F screw flange

- The UTTBTB ...-F screw flanges are snapped onto the DIN rail directly
- Have the same shape as the corresponding basic terminal blocks
- Due to the offset arrangement of the screw sockets, only one basic flange is required between two neighboring connectors at a time, see figure below

Notes:
For current carrying capacity of DIN rails, see page 716.
The SP..., UP..., QP..., DP... connectors suitable for the UT-COMBI terminal blocks are documented, see page 408.
For screw flange, see page 436.
1) The total current of all connected conductors must not exceed the max. load current.
2) For derating curve, visit www.phoenixcontact.net/products



2.5 (4) mm², 24 A, feed-through terminal block

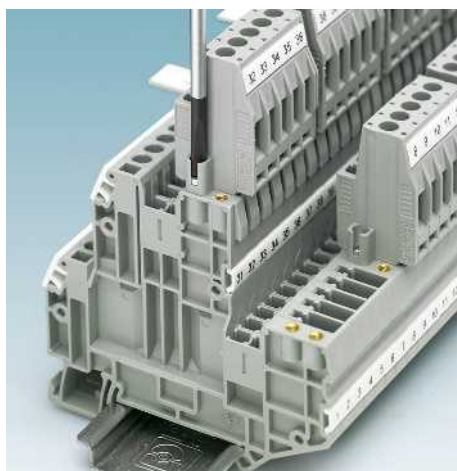
Dimensions	
	[mm]
Max. electrical data	
Rated data	
Rated voltage	[V]
Nominal current / cross section	[A] / [mm ²]
Rated cross section	[mm ²]
Cross section range	AWG
Connection capacity	
1 conductor	[mm ²]
Two conductors (of the same type)	[mm ²]
Two stranded conductors with a TWIN ferrule	[mm ²]
General data	
Stripping length	[mm]
Screw thread	
Tightening torque	[Nm]
Insulating material	
Inflammability class according to UL 94	



Technical data				
Width	Length	Height NS 35/7.5		
5.2	74.3	65		
I _{max} [A]	U _{max} [V]	max. Ø [mm ²]	AWG	
24 ²	500	0.14 - 4	26 - 12	
IEC 61984				
IEC	UL/CUL	CSA	IEC/EN 60079-7	
Rated voltage	600	-	-	
Nominal current / cross section	24 ² / 2.5	20 / -	-	
Rated cross section	2.5	-	-	
Cross section range	26 - 12	26-12	-	
Connection capacity		solid	stranded	Ferrule
		Without / with plastic sleeve		
0.14 - 4	0.14 - 4	0.14 - 2.5	0.14 - 2.5	
0.14 - 1.5	0.14 - 1.5	0.14 - 1.5	-	
		0.5 - 1.5		
9				
M3				
0.5 - 0.6				
PA				
V0				

Description	No. of pos.	Color
Terminal block, for mounting on NS 35...		gray
		blue
Terminal block, with equipotential bonder, for mounting on NS 35... ¹⁾		gray
		blue
Ground terminal block, for mounting on NS 35...		green-yellow

Ordering data			
Type	I _{max}	Order No.	Pcs. / Pkt.
UTTBTB 2,5/2P		3060351	50
UTTBTB 2,5/2P BU		3060364	50



Cover, width 2.2 mm		gray
Spacer plate, compensates for level offsets, width 2.5 mm		gray
Plug-in bridge		
	2	red
	3	red
	4	red
	5	red
	10	red
	20	red
Vertical potential bridge, to connect the upper and lower level		
		black
Partition plate, 2.2 mm wide		gray
Screw flange		gray
Test plug metal part, 2.3 mm Ø		
Insulating sleeve, for MPS metal part		red
Modular test plug, for the individual assembly of test plug strips		red
Screwdriver		
Lateral groove labeling		

Accessories			
D-UTTBTB 2,5/4 2P		3060393	50
DP-UTTBTB 2,5/4		3047303	50
FBS 2-5	24 A	3030161	50
FBS 3-5	24 A	3030174	50
FBS 4-5	24 A	3030187	50
FBS 5-5	24 A	3030190	50
FBS 10-5	24 A	3030213	10
FBS 20-5	24 A	3030226	10
FBS-PV UT		3047358	50
ATP-UTTBTB 2,5/4		3047316	50
UTTBTB 2,5/2P-F		3060474	50
MPS-MT		0201744	10
MPS-IH RD		0201676	10
PS-5		3030983	10
SF-SL 0,6X3,5-100 S-VDE		1212587	10
UC-TM 5, UCT-TM 5 or ZB 5 (see Catalog 5)			



2.5 (4) mm², 24 A, double-level terminal block, internally connected levels

2.5 (4) mm², double-level ground terminal block



Technical data			
Width	Length	Height NS 35/7,5	
5.2	74.3	65	
I_{max} [A]	U_{max} [V]	max. Ø [mm ²]	AWG
24 ¹⁾	500	0.14 - 4	26 - 12
IEC 61984			
IEC	UL/CUL	CSA	IEC/EN 60079-7
500	600	-	-
24 ²⁾ / 2.5	20 / -	-	-
2.5	-	-	-
26 - 12	26-12	-	-
solid	stranded	Ferrule	
		Without / with plastic sleeve	
0.14 - 4	0.14 - 4	0.14 - 2.5	0.14 - 2.5
0.14 - 1.5	0.14 - 1.5	0.14 - 1.5	-
			0.5 - 1.5
9	M3	0.5 - 0.6	PA
			V0

Technical data			
Width	Length	Height NS 35/7,5	
5.2	74.3	65	
I_{max} [A]	U_{max} [V]	max. Ø [mm ²]	AWG
24 ¹⁾	500	0.14 - 4	26 - 12
IEC 61984			
IEC	UL/CUL	CSA	IEC/EN 60079-7
-	-	-	-
-	- / -	-	-
2.5	-	-	-
26 - 12	-	-	-
solid	stranded	Ferrule	
		Without / with plastic sleeve	
0.14 - 4	0.14 - 4	0.14 - 2.5	0.14 - 2.5
0.14 - 1.5	0.14 - 1.5	0.14 - 1.5	-
			0.5 - 1.5
9	M3	0.5 - 0.6	PA
			V0

Ordering data			
Type	I_{max}	Order No.	Pcs. / Pkt.
UTT _B 2,5/2P-PV		3060377	50
UTT _B 2,5/2P-PV BU		3060487	50

Ordering data			
Type		Order No.	Pcs. / Pkt.
UTT _B 2,5/2P-PE		3060380	50

Accessories			
D-UTT _B 2,5/4 2P		3060393	50
DP-UTT _B 2,5/4		3047303	50
FBS 2-5	24 A	3030161	50
FBS 3-5	24 A	3030174	50
FBS 4-5	24 A	3030187	50
FBS 5-5	24 A	3030190	50
FBS 10-5	24 A	3030213	10
FBS 20-5	24 A	3030226	10
ATP-UTT _B 2,5/4		3047316	50
UTT _B 2,5/2P-F		3060474	50
MPS-MT		0201744	10
MPS-IH RD		0201676	10
PS-5		3030983	10
SF-SL 0,6X3,5-100 S-VDE		1212587	10

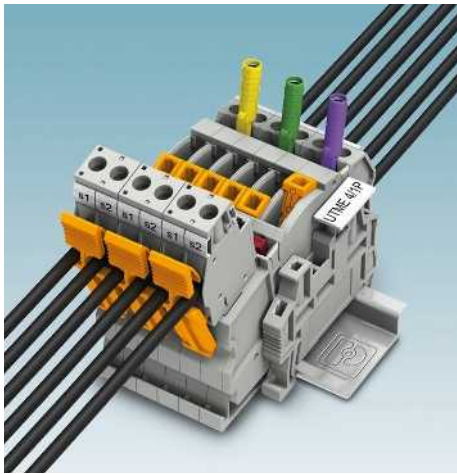
Accessories			
D-UTT _B 2,5/4 2P		3060393	50
DP-UTT _B 2,5/4		3047303	50
FBS 2-5		3030161	50
FBS 3-5		3030174	50
FBS 4-5		3030187	50
FBS 5-5		3030190	50
FBS 10-5		3030213	10
FBS 20-5		3030226	10
ATP-UTT _B 2,5/4		3047316	50
UTT _B 2,5/2P-F		3060474	50
MPS-MT		0201744	10
MPS-IH RD		0201676	10
PS-5		3030983	10
SF-SL 0,6X3,5-100 S-VDE		1212587	10

UC-TM 5, UCT-TM 5 or ZB 5 (see Catalog 5)

UC-TM 5, UCT-TM 5 or ZB 5 (see Catalog 5)

COMBI plug-in connection solutions

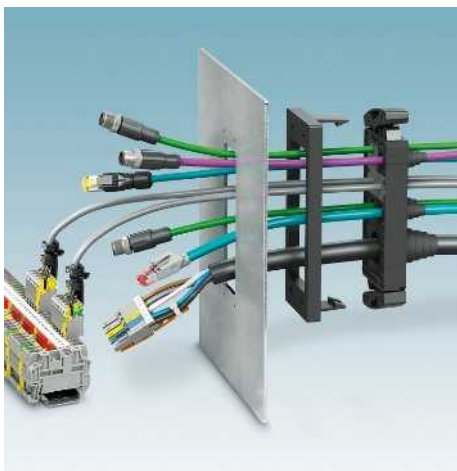
UTME 4/1P plug-in test disconnect terminal blocks



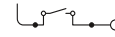
- The COMBI system offers the highest levels of protection for users, as both the basic terminal blocks and the plugs are touch proof. Alongside the safety aspect, this offers great flexibility for configuration work: the supply may be routed via the terminal blocks or the plugs
- Thanks to the straightforward, custom coding option, wiring reliability is increased and incorrect connections are avoided
- Strain relief can be snapped on
- Latching fixes connectors to basic terminal blocks

Cable entry system

- The CES cable entry system (see Catalog 4) enables the easy and space-saving installation of pre-assembled cables with IP54/IP65 protection in the control cabinet, see figure below



Notes:
For corresponding AP-ME and AH-ME terminal strip covers, see Catalog 5.
1) For derating curve, visit www.phoenixcontact.net/products



4 (6) mm², 28 A, test disconnect terminal block



Dimensions	
	[mm]
Max. electrical data	
Rated voltage	[V]
Nominal current / cross section	[A] / [mm ²]
Rated cross section	[mm ²]
Cross section range	AWG
Connection capacity	
1 conductor	[mm ²]
Two conductors (of the same type)	[mm ²]
Two stranded conductors with a TWIN ferrule	[mm ²]
General data	
Stripping length	[mm]
Screw thread	
Tightening torque	[Nm]
Insulating material	
Inflammability class according to UL 94	

Technical data			
Width	Length	Height NS 35/7,5	
6.2	71.1	49.5	
I _{max} [A]	U _{max} [V]	max. Ø [mm ²]	AWG
28 ¹⁾	500	0.14 - 6	26 - 10
IEC 61984			
IEC	UL/CUL	CSA	IEC/EN 60079-7
500	600	600	-
28 ¹⁾ / 4	25 / -	25	-
4	-	-	-
26 - 10	26-10	26-10	-
solid	stranded	Ferrule	
		Without / with plastic sleeve	
0.14 - 6	0.14 - 4	0.14 - 4	0.14 - 4
0.14 - 1.5	0.14 - 1.5	0.14 - 1.5	-
			0.5 - 2.5
9			
M3			
0.6 - 0.8			
PA			
V0			

Description	No. of pos.	Color
Terminal block, for mounting on NS 35...		gray

Ordering data			
Type	I _{max}	Order No.	Pcs. / Pkt.
UTME 4/1P		3057416	50

Cover, width 2.2 mm		gray
Switching jumper, plug-in		
	2	gray/orange
	3	gray/orange
	4	gray/orange

Accessories

Plug-in bridge		
	2	red
	5	red
	10	red
	20	red

D-UTME 4/1P		3057429	10
SB-ME 2-6	28 A	3035755	10
SB-ME 3-6	28 A	3035756	10
SB-ME 4-6	28 A	3035757	10

Switching lock, plug-in		white
Connection bridge, for connecting two test disconnect terminal blocks		orange
3-pos.		orange

FBS 2-6	32 A	3030336	50
FBS 5-6	32 A	3030349	50
FBS 10-6	32 A	3030271	10
FBS 20-6	32 A	3030365	10
S-ME 4		3035758	10
C-ME 4/2		3035759	10

Test adapter, for 4 mm Ø safety test plugs, latches into the bridge shaft		orange
		yellow
		green
		violet
		black
		blue
		red
		gray
		brown

C-ME 4/3		3035760	10
PAI-4-FIX-5/6 OG		3035974	10

Modular test plug, for the individual assembly of test plug strips		red
--	--	-----

PAI-4-FIX-5/6 YE		3035977	10
PAI-4-FIX-5/6 GN		3035978	10
PAI-4-FIX-5/6 VT		3035979	10
PAI-4-FIX-5/6 BK		3035980	10
PAI-4-FIX-5/6 BU		3035975	10
PAI-4-FIX-5/6 RD		3035976	10
PAI-4-FIX-5/6 GY		3035982	10
PAI-4-FIX-5/6 BN		3035981	10
PS-6		3030996	10

Coding star, with 4 coding branches, can be inserted in all basic terminal blocks		red
---	--	-----

PC		3040588	50
----	--	---------	----

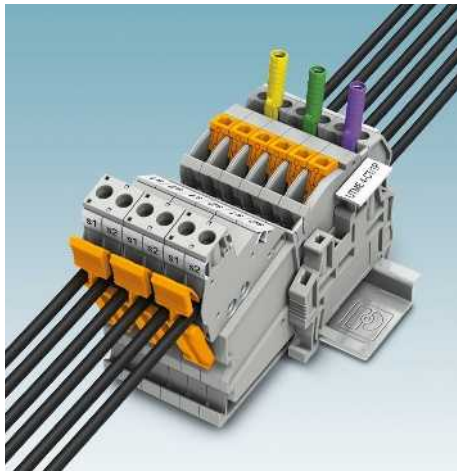
Screwdriver		
-------------	--	--

SZF 1-0,6X3,5		1204517	10
---------------	--	---------	----

Lateral groove labeling		
-------------------------	--	--

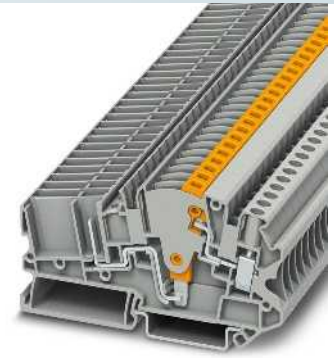
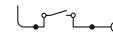
UC-TM 6, UCT-TM 6 or ZB 6 (see Catalog 5)		
---	--	--

UTME 4-CT... plug-in current transformer disconnect terminal blocks with automatic short-circuit function



- The terminal block with patented short-circuit plug is particularly convenient and safe. If the connector is removed, an advanced short circuit occurs automatically.
- Connected measuring transducers are automatically protected against damage

Notes:
For further test adapters, see page 479.
For corresponding AP-ME and AH-ME terminal strip covers, see Catalog 5.
1) For derating curve, visit www.phoenixcontact.net/products



4 (6) mm², 28 A, current transformer disconnect terminal block



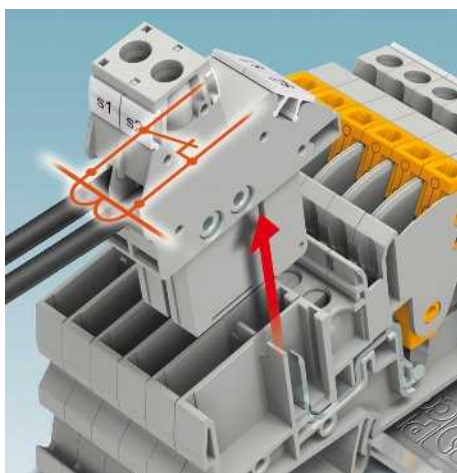
Dimensions		[mm]
Max. electrical data		
Rated data		
Rated voltage	[V]	500
Nominal current / cross section	[A] / [mm ²]	28 ¹⁾ / 4
Rated cross section	[mm ²]	4
Cross section range	AWG	26 - 10
Connection capacity		
1 conductor	[mm ²]	0.14 - 6
Two conductors (of the same type)	[mm ²]	0.14 - 1.5
Two stranded conductors with a TWIN ferrule	[mm ²]	0.14 - 1.5
General data		
Stripping length	[mm]	9
Screw thread		M3
Tightening torque	[Nm]	0.6 - 0.8
Insulating material		PA
Inflammability class according to UL 94		V0

Technical data			
Width	Length	Height NS 35/7,5	
6.2	86.5	49.5	
I _{max} [A]	U _{max} [V]	max. Ø [mm ²]	AWG
28	500	0.14 - 6	26 - 10
IEC 61984			
IEC	UL/CUL	CSA	IEC/EN 60079-7
500	600	600	-
28 ¹⁾ / 4	25 / -	25	-
4	-	-	-
26 - 10	26-10	26-10	-
solid		stranded Ferrule	
		Without / with plastic sleeve	
0.14 - 6	0.14 - 4	0.14 - 4	0.14 - 4
0.14 - 1.5	0.14 - 1.5	0.14 - 1.5	-
			0.5 - 2.5

Description	No. of pos.	Color
Terminal block , for mounting on NS 35...		gray
Cover , width 2.2 mm		gray
COMBI plug , with integrated short-circuit function, 2-pos.		
2-pos.		gray
3-pos.		gray
Plug-in bridge		
	2	red
	3	red
	4	red
	5	red
	10	red
	20	red
Switching lock , plug-in		white
Connection bridge , for connecting two test disconnect terminal blocks		orange
3-pos.		orange
Test adapter , for 4 mm Ø safety test plugs, latches into the bridge shaft		orange
		yellow
		green
		violet
		black
		blue
		red
Modular test plug , for the individual assembly of test plug strips		red
Strain relief , for UPBV... connectors, 2-pos.		black
Coding profile , for 2-pos. plug		red
For 3-pos. plugs		red
Screwdriver		
Lateral groove labeling		

Ordering data			
Type	I _{max}	Order No.	Pcs. / Pkt.
UTME 4-CT/1P		3057432	50

Accessories			
D-UTME 4-CT/1P		3057445	10
UPCT 4/2		3057461	10
UPCT 4/3		3057458	10
FBS 2-6	32 A	3030336	50
FBS 3-6	32 A	3030242	50
FBS 4-6	32 A	3030255	50
FBS 5-6	32 A	3030349	50
FBS 10-6	32 A	3030271	10
FBS 20-6	32 A	3030365	10
S-ME 4		3035758	10
C-ME 4/2		3035759	10
C-ME 4/3		3035760	10
PAI-4-FIX-5/6 OG		3035974	10
PAI-4-FIX-5/6 YE		3035977	10
PAI-4-FIX-5/6 GN		3035978	10
PAI-4-FIX-5/6 VT		3035979	10
PAI-4-FIX-5/6 BK		3035980	10
PAI-4-FIX-5/6 BU		3035975	10
PS-6		3030996	10
UPZ/ 2		3045554	50
PC-CT/2		3032855	1
PC-CT/3		3032868	1
SZF 1-0,6X3,5		1204517	10
UC-TM 6, UCT-TM 6 or ZB 6 (see Catalog 5)			

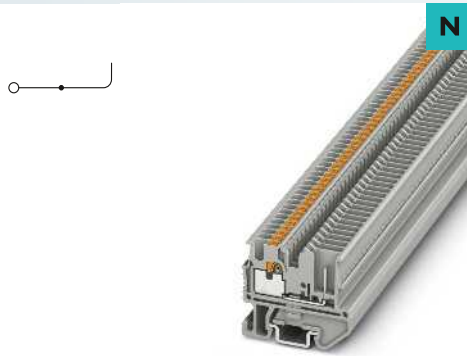


COMBI plug-in connection solutions

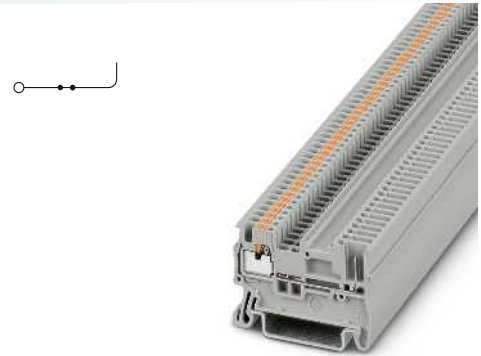
PT-COMBI feed-through terminal blocks with push-in connection

- Uniform, touch-proof plug-in zone
- Compatible with push-in standard terminal blocks
- Compact design also with 3.5 mm pitch
- For nominal currents up to 41 A
- For nominal voltages up to 1000 V

Notes:
 1) For derating curve, visit www.phoenixcontact.net/products



1.5 (1.5) mm², 17.5 A, mini feed-through terminal block



1.5 (1.5) mm², 17.5 A, feed-through terminal block



Dimensions	
Dimensions	[mm]
Dimensions	[mm]
Max. electrical data	
I_{max} [A]	17.5 ¹⁾
U_{max} [V]	500
Rated data	
Rated voltage [V]	500
Nominal current / cross section [A] / [mm ²]	17.5 ¹⁾ / 1.5
Rated cross section [mm ²]	1.5
Cross section range AWG	26 - 14
Connection capacity	
1 conductor [mm ²]	0.14 - 1.5
Two stranded conductors with a TWIN ferrule [mm ²]	0.14 - 1.5
Direct plug-in connection cross sections [mm ²]	0.25 - 1.5
General data	
Stripping length [mm]	8
Insulating material	PA
Inflammability class according to UL 94	V0

Technical data				
Width	Length	Height NS 35/7,5		
3.5	33.55	-		
Width	Length	Height NS 15		
3.5	33.55	28.1		
I_{max} [A]	U_{max} [V]	max. Ø [mm ²]	AWG	
17.5 ¹⁾	500	0.14 - 1.5	26 - 14	
IEC 61984	UL/CUL	CSA	IEC/EN 60079-7	
500	-	-	-	
17.5 ¹⁾ / 1.5	- / -	-	-	
1.5	-	-	-	
26 - 14	-	-	-	
Connection capacity		Ferrule		
solid	stranded	Without / with plastic sleeve		
0.14 - 1.5	0.14 - 1.5	0.14 - 1.5	0.14 - 1	
0.25 - 1.5	-	0.34 - 1.5	0.34 - 1	
8	PA	V0		

Technical data				
Width	Length	Height NS 35/7,5		
3.5	46	32		
Width	Length	Height NS 15		
3.5	46	-		
I_{max} [A]	U_{max} [V]	max. Ø [mm ²]	AWG	
17.5 ¹⁾	500	0.14 - 1.5	26 - 16	
IEC 61984	UL/CUL	CSA	IEC/EN 60079-7	
500	600	600	-	
17.5 ¹⁾ / 1.5	15 / -	15	-	
1.5	-	-	-	
26 - 16	26-14	26-14	-	
Connection capacity		Ferrule		
solid	stranded	Without / with plastic sleeve		
0.14 - 1.5	0.14 - 1.5	0.14 - 1.5	0.14 - 1	
0.25 - 1.5	-	0.34 - 1.5	0.34 - 1	
8	PA	V0		

Description	No. of pos.	Color
Terminal block, for mounting on NS 15		gray blue
Terminal block, for mounting on NS 35...		gray blue

Ordering data				
Type	I_{max}	Order No.	Pcs. / Pkt.	
MPT 1,5/S/1P		3248115	50	
MPT 1,5/S/1P BU		3248116	50	

Ordering data				
Type	I_{max}	Order No.	Pcs. / Pkt.	
PT 1,5/S/1P		3208582	50	
PT 1,5/S/1P BU		3208595	50	

Accessories		
Cover, width 2.2 mm	gray	
Cover, 0.8 mm width	orange	
Insulation stop sleeve, cross section range:		
0.08 - 0.2 mm ²	white	
0.25 - 0.5 mm ²	gray	
0.75 - 1 mm ²	black	
Plug-in bridge		
	2	red
	3	red
	4	red
	5	red
	10	red
	20	red
Partition plate, 2 mm width	gray	
Screw flange, for ST-COMBI terminal blocks, when using UPBV 2,5..., SP...2,5... or PP-H 2,5 plugs for ST 2,5/1P, ST 2,5/1P-PE, PT 2,5/1P, PT 2,5/1P-PE	gray	
Test adapter, 4-mm test socket hole	gray	
Test plug metal part, 2.3 mm Ø		
Insulating sleeve, for MPS metal part	red	
Modular test plug, for the individual assembly of test plug strips	red	
Coding star, with 4 coding branches, can be inserted in all basic terminal blocks	red	
Screwdriver		

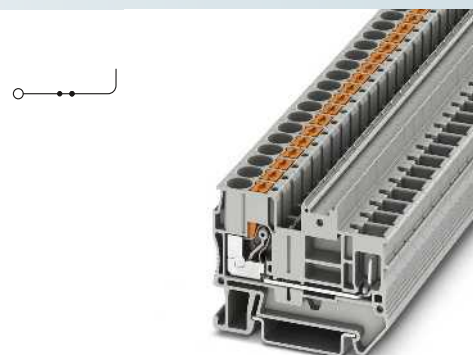
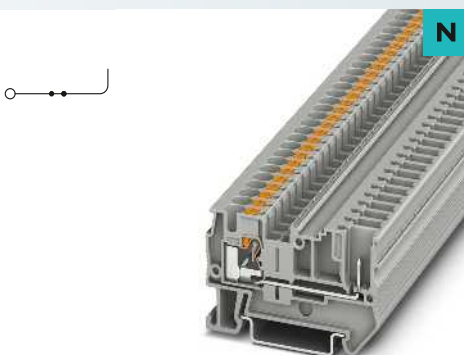
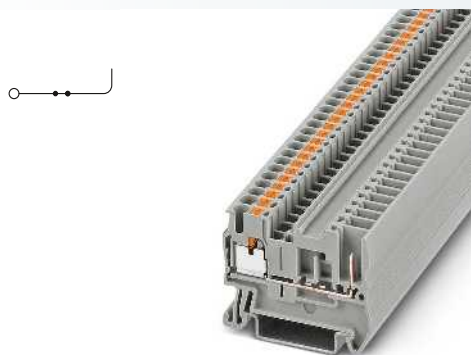
Accessories				
D-MPT 1,5/S		Order No.	Pcs. / Pkt.	
		3248120	50	
FBS 2-3,5	17.5 A	3213014	50	
FBS 3-3,5	17.5 A	3213027	50	
FBS 4-3,5	17.5 A	3213030	50	
FBS 5-3,5	17.5 A	3213043	50	
FBS 10-3,5	17.5 A	3213056	50	
FBS 20-3,5	17.5 A	3213069	50	
MPS-MT		0201744	10	
MPS-IH RD		0201676	10	
PC		3040588	50	
SZF 0-0,4X2,5		1204504	10	

Accessories				
D-PT 1,5/S		Order No.	Pcs. / Pkt.	
		3208142	50	
FBS 2-3,5	17.5 A	3213014	50	
FBS 3-3,5	17.5 A	3213027	50	
FBS 4-3,5	17.5 A	3213030	50	
FBS 5-3,5	17.5 A	3213043	50	
FBS 10-3,5	17.5 A	3213056	50	
FBS 20-3,5	17.5 A	3213069	50	
ATP-ST 4		3030721	50	
MPS-MT		0201744	10	
MPS-IH RD		0201676	10	
PC		3040588	50	
SZF 0-0,4X2,5		1204504	10	

Center groove labeling
 Center and lateral groove labeling

UCT-TMF 3,5 or ZBF 3,5 (see Catalog 5)

UCT-TM 3,5 or ZB 3,5 (see Catalog 5)
 UCT-TMF 3,5 or ZBF 3,5 (see Catalog 5)



2.5 (4) mm², 24 A, feed-through terminal block

4 (6) mm², 32 A, feed-through terminal block

6 (10) mm², 41 A, feed-through terminal block



Technical data			
Width	Length	Height NS 35/7,5	
5.2	48.5	36.5	
Width	Length	Height NS 15	
5.2	48.5	-	
I_{max} [A]	U_{max} [V]	max. Ø [mm ²]	AWG
24 ¹⁾	500	0.14 - 4	26 - 12
IEC 61984	UL/CUL	CSA	IEC/EN 60079-7
500	300	300	-
24 ¹⁾ / 2.5	20 / -	20 / -	-
2.5	-	-	-
26 - 12	26-12	26-12	-
solid	stranded	Ferrule	
0.14 - 4	0.14 - 2.5	0.14 - 2.5	0.14 - 2.5
			0.5
0.34 - 4	-	0.34 - 2.5	0.34 - 2.5
10			
PA			
V0			

Technical data			
Width	Length	Height NS 35/7,5	
6.2	56	36.5	
Width	Length	Height NS 15	
6.2	56	-	
I_{max} [A]	U_{max} [V]	max. Ø [mm ²]	AWG
32 ¹⁾	800	0.2 - 6	24 - 10
IEC 61984	UL/CUL	CSA	IEC/EN 60079-7
800	-	-	-
32 ¹⁾ / 4	- / -	-	-
4	-	-	-
24 - 10	-	-	-
solid	stranded	Ferrule	
0.2 - 6	0.2 - 4	0.25 - 4	0.25 - 4
			0.5 - 1
0.5 - 6	-	0.5 - 4	0.5 - 4
12			
PA			
V0			

Technical data			
Width	Length	Height NS 35/7,5	
8.2	57.7	43.5	
Width	Length	Height NS 15	
8.2	57.7	-	
I_{max} [A]	U_{max} [V]	max. Ø [mm ²]	AWG
41 ¹⁾	1000	0.5 - 10	20 - 8
IEC 61984	UL/CUL	CSA	IEC/EN 60079-7
1000	600	-	-
41 ¹⁾ / 6	40 / -	-	-
6	-	-	-
20 - 8	20-8	-	-
solid	stranded	Ferrule	
0.5 - 10	0.5 - 6	0.5 - 6	0.5 - 6
			0.5 - 1.5
1 - 10	-	1 - 6	1 - 6
12			
PA			
V0			

Ordering data			
Type	I_{max}	Order No.	Pcs. / Pkt.
PT 2,5/1P		3210033	50
PT 2,5/1P BU		3210046	50

Ordering data			
Type	I_{max}	Order No.	Pcs. / Pkt.
PT 4/1P		3211937	50
PT 4/1P BU		3212007	50

Ordering data			
Type	I_{max}	Order No.	Pcs. / Pkt.
PT 6/1P		3061758	50
PT 6/1P BU		3061761	50

Accessories			
D-ST 2,5		3030417	50
D-ST 2,5-0,8 OG		3030511	50
ISH 2,5/0,2		3002843	50
ISH 2,5/0,5		3002856	50
ISH 2,5/1,0		3002869	50
FBS 2-5	24 A	3030161	50
FBS 3-5	24 A	3030174	50
FBS 4-5	24 A	3030187	50
FBS 5-5	24 A	3030190	50
FBS 10-5	24 A	3030213	10
FBS 20-5	24 A	3030226	10
ATP-ST 4		3030721	50
ST 2,5/1P-F		3209837	50
PAI-4-N GY		3032871	10
MPS-MT		0201744	10
MPS-IH RD		0201676	10
PS-5		3030983	10
PC		3040588	50
SZF 1-0,6X3,5		1204517	10

Accessories			
D-ST 4		3030420	50
ISH 4/0,5		3002885	50
ISH 4/1,0		3002898	50
FBS 2-6	32 A	3030336	50
FBS 3-6	32 A	3030242	50
FBS 4-6	32 A	3030255	50
FBS 5-6	32 A	3030349	50
FBS 10-6	32 A	3030271	10
FBS 20-6	32 A	3030365	10
ATP-ST 4		3030721	50
PAI-4-N GY		3032871	10
MPS-MT		0201744	10
MPS-IH RD		0201676	10
PS-6		3030996	10
PC		3040588	50
SZF 1-0,6X3,5		1204517	10

Accessories			
D-PT 6		3212044	50
FBS 2-8	41 A	3030284	10
FBS 3-8	41 A	3030297	10
FBS 4-8	41 A	3030307	10
FBS 5-8	41 A	3030310	10
FBS 10-8	41 A	3030323	10
ATP-ST 6		3024481	50
PAI-4-N GY		3032871	10
MPS-MT		0201744	10
MPS-IH RD		0201676	10
PS-8		3031005	10
PC		3040588	50
SZF 2-0,8X4,0		1204520	10

UC-TM 5, UCT-TM 5 or ZB 5

(see Catalog 5)

UC-TMF 5, UCT-TMF 5 or ZBF 5

(see Catalog 5)

UC-TM 6, UCT-TM 6 or ZB 6

(see Catalog 5)

UC-TMF 6, UCT-TMF 6 or ZBF 6

(see Catalog 5)

UC-TM 8, UCT-TM 8 or ZB 8

(see Catalog 5)

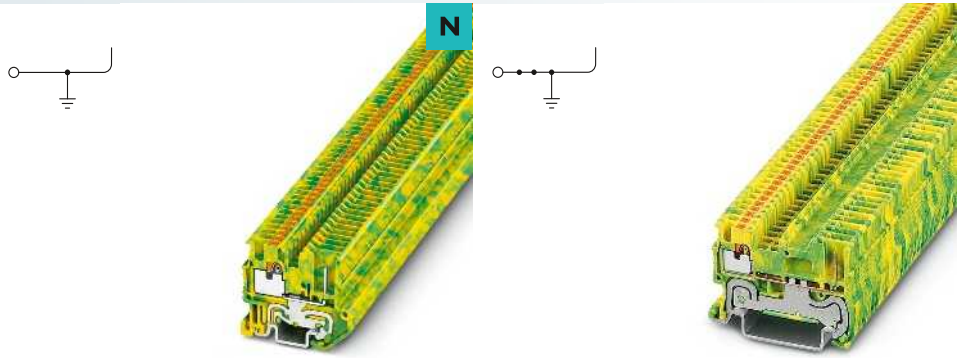
UC-TMF 8, UCT-TMF 8 or ZBF 8

(see Catalog 5)

COMBI plug-in connection solutions

PT-COMBI ground terminal blocks with push-in connection

- Have the same shape as the corresponding basic terminal blocks
- Contact is made free from mechanical and electrical errors by simply snapping onto the DIN rail
- All the requirements of standard IEC 60947-7-2 are met



1.5 (1.5) mm², ground terminal block



Dimensions	
	[mm]
Dimensions	
	[mm]
Max. electrical data	
Rated data	
Rated voltage	[V]
Nominal current / cross section	[A] / [mm ²]
Rated cross section	[mm ²]
Cross section range	AWG
Connection capacity	
1 conductor	[mm ²]
Two stranded conductors with a TWIN ferrule	[mm ²]
Direct plug-in connection cross sections	[mm ²]
General data	
Stripping length	[mm]
Insulating material	
Inflammability class according to UL 94	

Technical data				
Width	Length	Height NS 35/7,5		
3.5	33.55	-		
Width	Length	Height NS 15		
3.5	33.55	28.1		
		max. Ø [mm ²]	AWG	
		0.14 - 1.5	26 - 14	
IEC 61984	UL/CUL	CSA	IEC/EN 60079-7	
-	-	-	-	
1.5	-	-	-	
26 - 14	-	-	-	
Connection capacity		solid	stranded	Ferrule
				Without / with plastic sleeve
1 conductor	[mm ²]	0.14 - 1.5	0.14 - 1.5	0.14 - 1.5 0.14 - 1
Two stranded conductors with a TWIN ferrule	[mm ²]			
Direct plug-in connection cross sections	[mm ²]	0.25 - 1.5	-	0.34 - 1.5 0.34 - 1
Stripping length	[mm]	8		
Insulating material		PA		
Inflammability class according to UL 94		V0		

Technical data				
Width	Length	Height NS 35/7,5		
3.5	46	32		
Width	Length	Height NS 15		
3.5	46	-		
		max. Ø [mm ²]	AWG	
		0.14 - 1.5	26 - 16	
IEC 61984	UL/CUL	CSA	IEC/EN 60079-7	
-	-	-	-	
1.5	-	-	-	
26 - 16	26-14	26-14	-	
Connection capacity		solid	stranded	Ferrule
				Without / with plastic sleeve
1 conductor	[mm ²]	0.14 - 1.5	0.14 - 1.5	0.14 - 1.5 0.14 - 1
Two stranded conductors with a TWIN ferrule	[mm ²]			
Direct plug-in connection cross sections	[mm ²]	0.25 - 1.5	-	0.34 - 1.5 0.34 - 1
Stripping length	[mm]	8		
Insulating material		PA		
Inflammability class according to UL 94		V0		

Description	No. of pos.	Color
Ground terminal block, for mounting on NS 15		green-yellow
Ground terminal block, for mounting on NS 35...		green-yellow

Ordering data		
Type	Order No.	Pcs. / Pkt.
MPT 1,5/S/1P-PE	3248117	50

Ordering data		
Type	Order No.	Pcs. / Pkt.
PT 1,5/S/1P-PE	3212332	50

Cover, width 2.2 mm	gray
Cover, 0.8 mm width	orange
Insulation stop sleeve, cross section range:	
0.08 - 0.2 mm ²	white
0.25 - 0.5 mm ²	gray
0.75 - 1 mm ²	black
Plug-in bridge	
	2 red
	3 red
	4 red
	5 red
	10 red
	20 red
Partition plate, 2 mm width	gray
Screw flange, for ST-COMBI terminal blocks, when using UPBV 2,5..., SP...2,5... or PP-H 2,5 plugs	gray
Test adapter, 4-mm test socket hole	gray
Test plug metal part, 2.3 mm Ø	
Insulating sleeve, for MPS metal part	red
Modular test plug, for the individual assembly of test plug strips	red
Coding star, with 4 coding branches, can be inserted in all basic terminal blocks	red
Screwdriver	

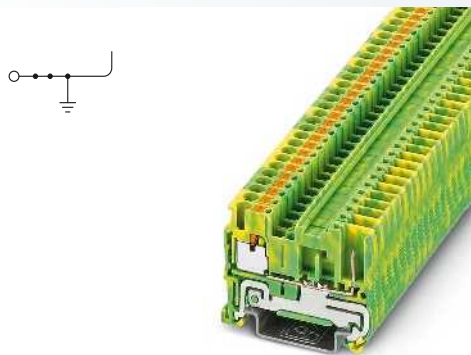
Accessories		
D-MPT 1,5/S	3248120	50
MPS-MT	0201744	10
MPS-IH RD	0201676	10
PC	3040588	50
SZF 0-0,4X2,5	1204504	10

Accessories		
D-PT 1,5/S	3208142	50
FBS 2-3,5	3213014	50
FBS 3-3,5	3213027	50
FBS 4-3,5	3213030	50
FBS 5-3,5	3213043	50
FBS 10-3,5	3213056	50
FBS 20-3,5	3213069	50
ATP-ST 4	3030721	50
MPS-MT	0201744	10
MPS-IH RD	0201676	10
PC	3040588	50
SZF 0-0,4X2,5	1204504	10

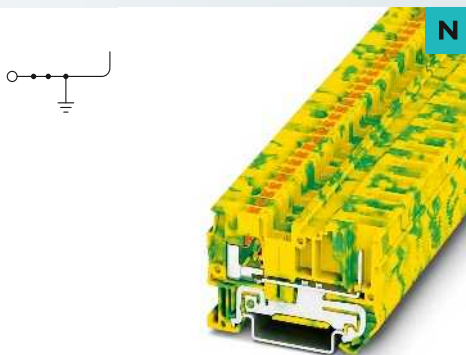
Center groove labeling
Center and lateral groove labeling

UCT-TMF 3,5 or ZBF 3,5 (see Catalog 5)
--

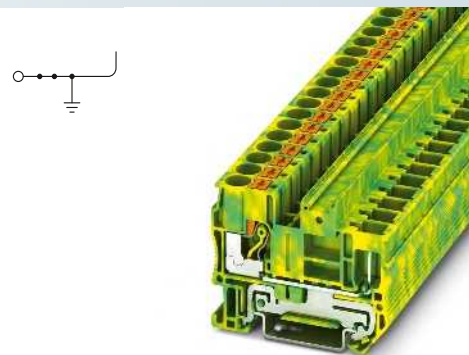
UCT-TM 3,5 or ZB 3,5 (see Catalog 5)
UCT-TMF 3,5 or ZBF 3,5 (see Catalog 5)



2.5 (4) mm², ground terminal block



4 (6) mm², ground terminal block



6 (10) mm², ground terminal block



Technical data			
Width	Length	Height NS 35/7,5	
5.2	48.5	36.5	
Width	Length	Height NS 15	
5.2	48.5		
		max. Ø [mm ²]	AWG
		0.14 - 4	26 - 12
IEC 61984			
IEC	UL/CUL	CSA	IEC/EN 60079-7
-	-	-	-
-	-/-	-	-
2.5	-	-	-
26 - 12	26-12	26-12	-
solid	stranded	Ferrule	
		Without / with plastic sleeve	
0.14 - 4	0.14 - 2.5	0.14 - 2.5	0.14 - 2.5
			0.5
0.34 - 4	-	0.34 - 2.5	0.34 - 2.5
10			
PA			
V0			

Technical data			
Width	Length	Height NS 35/7,5	
6.2	56	36.5	
Width	Length	Height NS 15	
6.2	56		
		max. Ø [mm ²]	AWG
		0.2 - 6	24 - 10
IEC 61984			
IEC	UL/CUL	CSA	IEC/EN 60079-7
-	-	-	-
-	-/-	-	-
4	-	-	-
24 - 10	-	-	-
solid	stranded	Ferrule	
		Without / with plastic sleeve	
0.2 - 6	0.2 - 4	0.25 - 4	0.25 - 4
			0.5 - 1
0.5 - 6	-	0.5 - 4	0.5 - 4
12			
PA			
V0			

Technical data			
Width	Length	Height NS 35/7,5	
8.2	57.7	43.5	
Width	Length	Height NS 15	
8.2	57.7		
		max. Ø [mm ²]	AWG
		0.5 - 10	20 - 8
IEC 61984			
IEC	UL/CUL	CSA	IEC/EN 60079-7
-	-	-	-
-	-/-	-	-
6	-	-	-
20 - 8	20-8	-	-
solid	stranded	Ferrule	
		Without / with plastic sleeve	
0.5 - 10	0.5 - 6	0.5 - 6	0.5 - 6
			0.5 - 1.5
1 - 10	-	1 - 6	1 - 6
12			
PA			
V0			

Ordering data		
Type	Order No.	Pcs. / Pkt.
PT 2,5/1P-PE	3210059	50

Ordering data		
Type	Order No.	Pcs. / Pkt.
PT 4/1P-PE	3211942	50

Ordering data		
Type	Order No.	Pcs. / Pkt.
PT 6/1P-PE	3061774	50

Accessories		
D-ST 2,5	3030417	50
D-ST 2,5-0,8 OG	3030511	50
ISH 2,5/0,2	3002843	50
ISH 2,5/0,5	3002856	50
ISH 2,5/1,0	3002869	50
FBS 2-5	3030161	50
FBS 3-5	3030174	50
FBS 4-5	3030187	50
FBS 5-5	3030190	50
FBS 10-5	3030213	10
FBS 20-5	3030226	10
ATP-ST 4	3030721	50
ST 2,5/1P-F	3209837	50
PAI-4-N GY	3032871	10
MPS-MT	0201744	10
MPS-IH RD	0201676	10
PS-5	3030983	10
PC	3040588	50
SZF 1-0,6X3,5	1204517	10

Accessories		
D-ST 4	3030420	50
ISH 4/0,5	3002885	50
ISH 4/1,0	3002898	50
FBS 2-6	3030336	50
FBS 3-6	3030242	50
FBS 4-6	3030255	50
FBS 5-6	3030349	50
FBS 10-6	3030271	10
FBS 20-6	3030365	10
ATP-ST 4	3030721	50
PAI-4-N GY	3032871	10
MPS-MT	0201744	10
MPS-IH RD	0201676	10
PS-6	3030996	10
PC	3040588	50
SZF 1-0,6X3,5	1204517	10

Accessories		
D-PT 6	3212044	50
FBS 2-8	3030284	10
FBS 3-8	3030297	10
FBS 4-8	3030307	10
FBS 5-8	3030310	10
FBS 10-8	3030323	10
ATP-ST 6	3024481	50
PAI-4-N GY	3032871	10
MPS-MT	0201744	10
MPS-IH RD	0201676	10
PS-8	3031005	10
PC	3040588	50
SZF 2-0,8X4,0	1204520	10

UC-TM 5, UCT-TM 5 or ZB 5
(see Catalog 5)
UC-TMF 5, UCT-TMF 5 or ZBF 5
(see Catalog 5)

UC-TM 6, UCT-TM 6 or ZB 6
(see Catalog 5)
UC-TMF 6, UCT-TMF 6 or ZBF 6
(see Catalog 5)

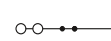
UC-TM 8, UCT-TM 8 or ZB 8
(see Catalog 5)
UC-TMF 8, UCT-TMF 8 or ZBF 8
(see Catalog 5)

COMBI plug-in connection solutions

PT-COMBI three-conductor feed-through and ground terminal blocks with push-in connection

- Uniform, touch-proof plug-in zone
- Compatible with push-in standard terminal blocks
- Compact design also with 3.5 mm pitch
- For nominal currents up to 41 A
- For nominal voltages up to 1000 V
- Self-locking flange for safe latching of connector, see figure below

Notes:
For current carrying capacity of DIN rails, see page 716.
For self-locking flange covers, see page 435.
1) The total current of all connected conductors must not exceed the max. load current.
2) For derating curve, visit www.phoenixcontact.net/products



1.5 (1.5) mm², 17.5 A, feed-through terminal block, 3 connections



Dimensions	
	[mm]
Max. electrical data	
Rated data	
Rated voltage	[V]
Nominal current / cross section	[A] / [mm ²]
Rated cross section	[mm ²]
Cross section range	AWG
Connection capacity	
1 conductor	[mm ²]
Two stranded conductors with a TWIN ferrule	[mm ²]
Direct plug-in connection cross sections	[mm ²]
General data	
Stripping length	[mm]
Insulating material	
Inflammability class according to UL 94	

Technical data				
Width	Length	Height NS 35/7,5		
3.5	55	32		
I _{max} [A]	U _{max} [V]	max. Ø [mm ²]	AWG	
17.5 ¹⁾	500	0.14 - 1.5	26 - 14	
IEC 61984				
IEC	UL/CUL	CSA	IEC/EN 60079-7	
500	600	600	-	
17.5 ²⁾ / 1.5	15 / -	15	-	
1.5	-	-	-	
26 - 14	26-14	26-14	-	
solid	stranded		Ferrule	
			Without / with plastic sleeve	
0.14 - 1.5	0.14 - 1.5	0.14 - 1.5	0.14 - 1	
0.25 - 1.5	-	0.34 - 1.5	0.34 - 1	
8				
PA				
V0				

Description	No. of pos.	Color
Terminal block, for mounting on NS 35...		gray blue
Ground terminal block, for mounting on NS 35...		green-yellow

Ordering data			
Type	I _{max}	Order No.	Pcs. / Pkt.
PT 1,5/S-TWIN/1P		3212358	50
PT 1,5/S-TWIN/1P BU		3212361	50

Cover, width 2.2 mm	gray
Cover, 0.8 mm width	orange
Insulation stop sleeve, cross section range:	
0.08 - 0.2 mm ²	white
0.25 - 0.5 mm ²	gray
0.75 - 1 mm ²	black

Accessories		
D-PT 1,5/S-TWIN	3208184	50

Plug-in bridge		
	2	red
	3	red
	4	red
	5	red
	10	red
	20	red

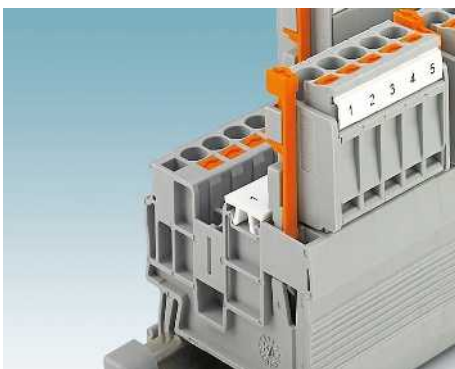
FBS 2-3,5	17.5 A	3213014	50
FBS 3-3,5	17.5 A	3213027	50
FBS 4-3,5	17.5 A	3213030	50
FBS 5-3,5	17.5 A	3213043	50
FBS 10-3,5	17.5 A	3213056	50
FBS 20-3,5	17.5 A	3213069	50
ATP-ST-TWIN		3030789	50

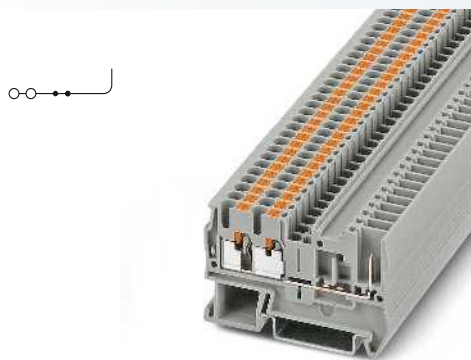
Partition plate, 2 mm width	gray
Screw flange	gray
Test adapter, 4-mm test socket hole	gray
Test plug metal part, 2.3 mm Ø	
Insulating sleeve, for MPS metal part	red
Modular test plug, for the individual assembly of test plug strips	red
Coding star, with 4 coding branches, can be inserted in all basic terminal blocks	red
Screwdriver	

MPS-MT	0201744	10
MPS-IH RD	0201676	10
PC	3040588	50
SZF 0-0,4X2,5	1204504	10

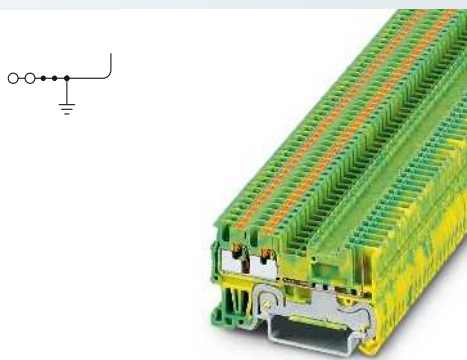
Center groove labeling	UCT-TM 3,5 or ZB 3,5 (see Catalog 5)
Center and lateral groove labeling	UCT-TMF 3,5 or ZBF 3,5 (see Catalog 5)

UCT-TM 3,5 or ZB 3,5 (see Catalog 5)	
UCT-TMF 3,5 or ZBF 3,5 (see Catalog 5)	

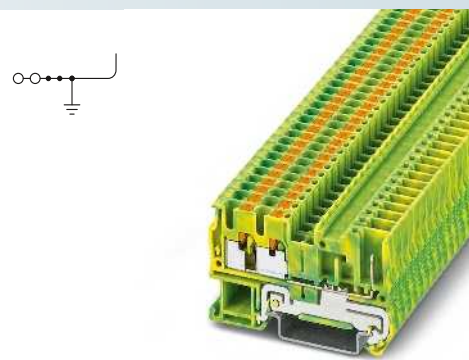




2.5 (4) mm², 24 A, feed-through terminal block, 3 connections



1.5 (1.5) mm², ground terminal block, 3 connections



2.5 (4) mm², ground terminal block, 3 connections



Technical data			
Width	Length	Height NS 35/7,5	
5.2	60.5	36.5	
I_{max} [A]	U_{max} [V]	max. Ø [mm ²]	AWG
24*)	500	0.14 - 4	26 - 12
IEC 61984			
IEC	UL/CUL	CSA	IEC/EN 60079-7
500	300	-	-
24 ²) / 2.5	20 / -	-	-
2.5	-	-	-
26 - 12	26-12	-	-
solid	stranded	Ferrule	
Without / with plastic sleeve			
0.14 - 4	0.14 - 2.5	0.14 - 2.5	0.14 - 2.5
			0.5
0.34 - 4	-	0.34 - 2.5	0.34 - 2.5
10			
PA			
V0			

Technical data			
Width	Length	Height NS 35/7,5	
3.5	55	32	
I_{max} [A]	U_{max} [V]	max. Ø [mm ²]	AWG
8*)	500	0.14 - 1.5	26 - 14
IEC 61984			
IEC	UL/CUL	CSA	IEC/EN 60079-7
-	-	-	-
-	- / -	-	-
1.5	-	-	-
26 - 14	26-14	26-14	-
solid	stranded	Ferrule	
Without / with plastic sleeve			
0.14 - 1.5	0.14 - 1.5	0.14 - 1.5	0.14 - 1
0.25 - 1.5	-	0.34 - 1.5	0.34 - 1
8			
PA			
V0			

Technical data			
Width	Length	Height NS 35/7,5	
5.2	60.5	36.5	
I_{max} [A]	U_{max} [V]	max. Ø [mm ²]	AWG
24*)	500	0.14 - 4	26 - 12
IEC 61984			
IEC	UL/CUL	CSA	IEC/EN 60079-7
-	-	-	-
-	- / -	-	-
2.5	-	-	-
26 - 12	26-12	26-12	-
solid	stranded	Ferrule	
Without / with plastic sleeve			
0.14 - 4	0.14 - 2.5	0.14 - 2.5	0.14 - 2.5
			0.5
0.34 - 4	-	0.34 - 2.5	0.34 - 2.5
10			
PA			
V0			

Ordering data			
Type	I_{max}	Order No.	Pcs. / Pkt.
PT 2,5-TWIN/1P		3209633	50
PT 2,5-TWIN/1P BU		3209646	50

Ordering data			
Type	Order No.	Pcs. / Pkt.	
PT 1,5/S-TWIN/1P-PE	3212374	50	

Ordering data			
Type	Order No.	Pcs. / Pkt.	
PT 2,5-TWIN/1P-PE	3209659	50	

Accessories			
D-ST 2,5-TWIN		3030488	50
D-ST 2,5-TWIN-0,8 OG		3030512	50
ISH 2,5/0,2		3002843	50
ISH 2,5/0,5		3002856	50
ISH 2,5/1,0		3002869	50
FBS 2-5	24 A	3030161	50
FBS 3-5	24 A	3030174	50
FBS 4-5	24 A	3030187	50
FBS 5-5	24 A	3030190	50
FBS 10-5	24 A	3030213	10
FBS 20-5	24 A	3030226	10
ATP-ST-TWIN		3030789	50
ST 2,5-TWIN/1P-F		3209840	50
PAI-4-N GY		3032871	10
MPS-MT		0201744	10
MPS-IH RD		0201676	10
PS-5		3030983	10
PC		3040588	50
SZF 1-0,6X3,5		1204517	10

Accessories			
D-PT 1,5/S-TWIN		3208184	50
FBS 2-3,5		3213014	50
FBS 3-3,5		3213027	50
FBS 4-3,5		3213030	50
FBS 5-3,5		3213043	50
FBS 10-3,5		3213056	50
FBS 20-5		3030226	10
ATP-ST-TWIN		3030789	50
MPS-MT		0201744	10
MPS-IH RD		0201676	10
PC		3040588	50
SZF 0-0,4X2,5		1204504	10

Accessories			
D-ST 2,5-TWIN		3030488	50
D-ST 2,5-TWIN-0,8 OG		3030512	50
ISH 2,5/0,2		3002843	50
ISH 2,5/0,5		3002856	50
ISH 2,5/1,0		3002869	50
FBS 2-5		3030161	50
FBS 3-5		3030174	50
FBS 4-5		3030187	50
FBS 5-5		3030190	50
FBS 10-5		3030213	10
FBS 20-5		3030226	10
ATP-ST-TWIN		3030789	50
ST 2,5-TWIN/1P-F		3209840	50
PAI-4-N GY		3032871	10
MPS-MT		0201744	10
MPS-IH RD		0201676	10
PS-5		3030983	10
PC		3040588	50
SZF 1-0,6X3,5		1204517	10

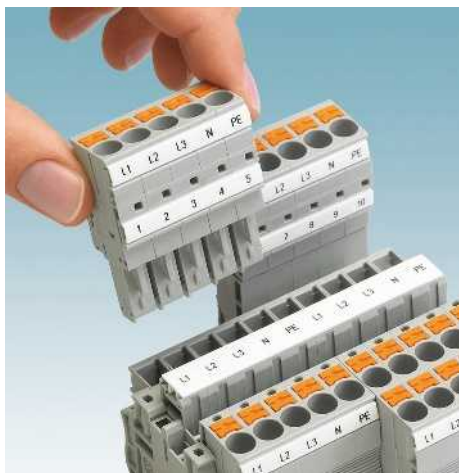
UC-TM 5, UCT-TM 5 or ZB 5
(see Catalog 5)
UC-TMF 5, UCT-TMF 5 or ZBF 5
(see Catalog 5)

UCT-TM 3,5 or ZB 3,5
(see Catalog 5)
UCT-TMF 3,5 or ZBF 3,5
(see Catalog 5)

UC-TM 5, UCT-TM 5 or ZB 5
(see Catalog 5)
UC-TMF 5, UCT-TMF 5 or ZBF 5
(see Catalog 5)

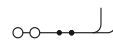
COMBI plug-in connection solutions

PT-COMBI four-conductor feed-through terminal blocks with push-in connection



- Space-saving and practical multi-conductor connection without additional bridges
- Potential managed on two levels
- Amount of space required is reduced by 50% compared to single-level terminal blocks
- Separate potentials can be used as there are bridge shafts on each level
- Cross connection to any number of terminal blocks with the FBS ... continuous plug-in bridge system
- Replacement, e.g., for supply with heavy-duty plug-in connectors in the control cabinet

Notes:
For more plug-in bridges, see page 472.
The SP..., UP..., QP..., PP... plugs suitable for push-in COMBI terminal blocks are documented, see page 408.
For cable housing, see page 432.
1) The total current of all connected conductors must not exceed the max. load current.
2) For derating curve, visit www.phoenixcontact.net/products
3) The total current of all connected conductors must not exceed the maximum load current. For the derating curve, visit www.phoenixcontact.net/products .



1.5 (1.5) mm², 13.5 A, feed-through terminal block, 4 connections



Dimensions	
	[mm]
Max. electrical data	
Rated data	
Rated voltage	[V]
Nominal current / cross section	[A] / [mm ²]
Rated cross section	[mm ²]
Cross section range	AWG
Connection capacity	
1 conductor	[mm ²]
Two stranded conductors with a TWIN ferrule	[mm ²]
Direct plug-in connection cross sections	[mm ²]
General data	
Stripping length	[mm]
Insulating material	
Inflammability class according to UL 94	

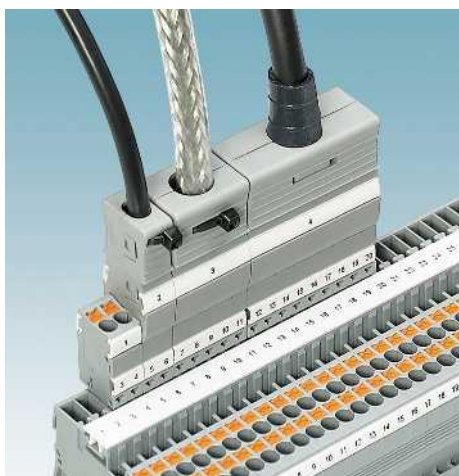
Technical data				
Width	Length	Height NS 35/7,5		
3.5	78.5	32		
I _{max.} [A]	U _{max.} [V]	max. Ø [mm ²]	AWG	
17.5 ³⁾	500	0.14 - 1.5	26 - 14	
IEC 61984				
IEC	UL/CUL	CSA	IEC/EN 60079-7	
500	600	600	-	
17.5 ³⁾ / 1.5	15 / -	15	-	
1.5	-	-	-	
26 - 14	26-14	26-14	-	
Connection capacity		Ferrule		
solid	stranded	Without / with plastic sleeve		
0.14 - 1.5	0.14 - 1.5	0.14 - 1.5	0.14 - 1	
0.25 - 1.5	-	0.34 - 1.5	0.34 - 1	
General data				
8				
PA				
V0				

Description	No. of pos.	Color
Terminal block, for mounting on NS 35...		gray blue

Ordering data			
Type	I _{max.}	Order No.	Pcs. / Pkt.
PT 1,5/S-QUATTRO/2P		3212390	50
PT 1,5/S-QUATTRO/2P BU		3212400	50

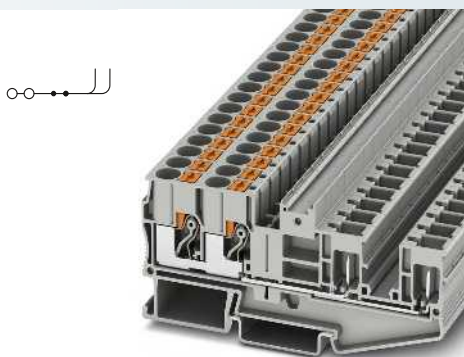
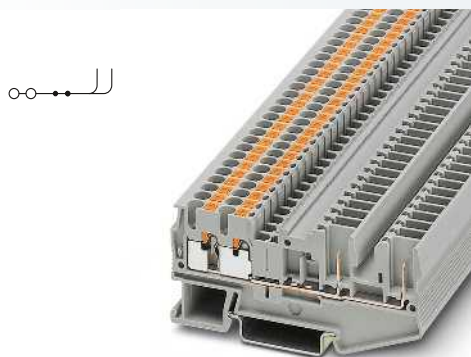
Cover, width 2.2 mm	gray
End cover segment, for covering multi-conductor terminal blocks when two-conductor terminal blocks are aligned	gray
Insulation stop sleeve, cross section range:	
0.08 - 0.2 mm ²	white
0.25 - 0.5 mm ²	gray
0.75 - 1 mm ²	black
Plug-in bridge	

Accessories			
D-PT 1,5/S-QUATTRO/2P		3212426	50
FBS 2-3,5	17.5 A	3213014	50
FBS 3-3,5	17.5 A	3213027	50
FBS 5-3,5	17.5 A	3213043	50
FBS 10-3,5	17.5 A	3213056	50
ATP-ST QUATTRO		3030815	50



Partition plate, 2 mm width	gray
Screw flange, for ST COMBI terminal blocks, for safe fixing of COMBI plugs with spring-cage connection	gray
for ST 2,5-QUATTRO/2P, ST 2,5-QUATTRO/2P-PE, ST 2,5-TWIN-MT/1P, ST 2,5-TWIN-TG/1P	
Test adapter, 4-mm test socket hole	gray
Test plug metal part, 2.3 mm Ø	
Insulating sleeve, for MPS metal part	red
Modular test plug, for the individual assembly of test plug strips	red
Coding star, with 4 coding branches, can be inserted in all basic terminal blocks	red
Screwdriver	
Center groove labeling	
Center and lateral groove labeling	

MPS-MT		0201744	10
MPS-IH RD		0201676	10
PC		3040588	50
SZF 0-0,4X2,5		1204504	10
UCT-TM 3,5 or ZB 3,5 (see Catalog 5)			
UCT-TMF 3,5 or ZBF 3,5 (see Catalog 5)			



2.5 (4) mm², 24 A, feed-through terminal block,
4 connections

6 (10) mm², 41 A, feed-through terminal block,
4 connections



Technical data			
Width	Length	Height NS 35/7,5	
5.2	81	36.5	
I_{max} [A]	U_{max} [V]	max. Ø [mm ²]	AWG
24 ³⁾	500	0.14 - 4	26 - 12
IEC 61984			
IEC	UL/CUL	CSA	IEC/ EN 60079-7
500	300	300	-
24 ³⁾ / 2.5	20 / -	20 / -	-
2.5	-	-	-
26 - 12	26-12	26-12	-
solid	stranded	Ferrule Without / with plastic sleeve	
0.14 - 4	0.14 - 2.5	0.14 - 2.5	0.14 - 2.5 0.5
0.34 - 4	-	0.34 - 2.5	0.34 - 2.5
10			
PA			
V0			

Technical data			
Width	Length	Height NS 35/7,5	
8.2	99.8	43.5	
I_{max} [A]	U_{max} [V]	max. Ø [mm ²]	AWG
41 ¹⁾	1000	0.5 - 10	20 - 8
IEC 61984			
IEC	UL/CUL	CSA	IEC/ EN 60079-7
1000	600	-	-
41 ²⁾ / 6	40 / -	-	-
6	-	-	-
20 - 8	20-8	-	-
solid	stranded	Ferrule Without / with plastic sleeve	
0.5 - 10	0.5 - 6	0.5 - 6	0.5 - 6 0.5 - 1.5
1 - 10	-	1 - 6	1 - 6
12			
PA			
V0			

Ordering data			
Type	I_{max}	Order No.	Pcs. / Pkt.
PT 2,5-QUATTRO/2P		3209662	50
PT 2,5-QUATTRO/2P BU		3209675	50

Ordering data			
Type	I_{max}	Order No.	Pcs. / Pkt.
PT 6-QUATTRO/2P		3061826	50
PT 6-QUATTRO/2P BU		3061839	50

Accessories			
D-ST 2,5-QUATTRO/ 2P		3040083	50
DS-ST 2,5		3036602	10
ISH 2,5/0,2		3002843	50
ISH 2,5/0,5		3002856	50
ISH 2,5/1,0		3002869	50
FBS 2-5	24 A	3030161	50
FBS 3-5	24 A	3030174	50
FBS 5-5	24 A	3030190	50
FBS 10-5	24 A	3030213	10
ATP-ST QUATTRO		3030815	50
ST 2,5-QUATTRO/2P-F		3209853	50
PAI-4-N GY		3032871	10
MPS-MT		0201744	10
MPS-IH RD		0201676	10
PS-5		3030983	10
PC		3040588	50
SZF 1-0,6X3,5		1204517	10

Accessories			
D-PT 6-QUATTRO/2P		3061855	50
FBS 2-8	41 A	3030284	10
FBS 3-8	41 A	3030297	10
FBS 5-8	41 A	3030310	10
FBS 10-8	41 A	3030323	10
ATP-QTTCB		3206238	50
PAI-4-N GY		3032871	10
MPS-MT		0201744	10
MPS-IH RD		0201676	10
PS-8		3031005	10
PC		3040588	50
SZF 2-0,8X4,0		1204520	10

UC-TM 5, UCT-TM 5 or ZB 5
(see Catalog 5)
UC-TMF 5, UCT-TMF 5 or ZBF 5
(see Catalog 5)

UC-TM 8, UCT-TM 8 or ZB 8
(see Catalog 5)
UC-TMF 8, UCT-TMF 8 or ZBF 8
(see Catalog 5)

COMBI plug-in connection solutions

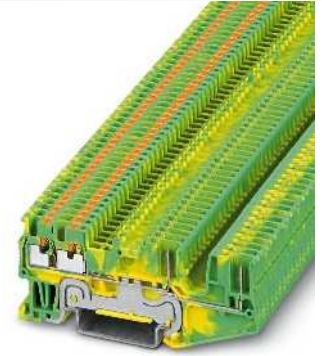
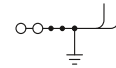
PT-COMBI ground terminal blocks with push-in connection

- Have the same shape as the corresponding basic terminal blocks
- Contact is made free from mechanical and electrical errors by simply snapping onto the DIN rail
- All the requirements of standard IEC 60947-7-2 are met

Terminal strip service

We produce fully pre-assembled terminal strips for fitting straight into the control cabinet or switch system. This simplifies installation, saves time, and cuts costs.

Notes:
For current carrying capacity of DIN rails, see page 716.
The SP..., UP..., QP..., PP... plugs suitable for push-in COMBI terminal blocks are documented, see page 408.



1.5 (1.5) mm², ground terminal block, 4 connections



Dimensions		
		[mm]
Max. electrical data		
Rated data		
Rated voltage		[V]
Nominal current / cross section		[A] / [mm ²]
Rated cross section		[mm ²]
Cross section range		AWG
Connection capacity		
1 conductor		[mm ²]
Two stranded conductors with a TWIN ferrule		[mm ²]
Direct plug-in connection cross sections		[mm ²]
General data		
Stripping length		[mm]
Insulating material		
Inflammability class according to UL 94		

Technical data			
Width	Length	Height NS 35/7,5	
3.5	78.5	32	
		max. Ø [mm ²]	AWG
		0.14 - 1.5	26 - 14
IEC 61984			
IEC	UL/CUL	CSA	IEC/EN 60079-7
-	-	-	-
-	-/-	-	-
1.5	-	-	-
26 - 14	26-14	26-14	-
solid	stranded	Ferrule	
		Without / with plastic sleeve	
0.14 - 1.5	0.14 - 1.5	0.14 - 1.5	0.14 - 1
0.25 - 1.5	-	0.34 - 1.5	0.34 - 1
8			
PA			
V0			

Description	No. of pos.	Color
Ground terminal block, for mounting on NS 35...		green-yellow

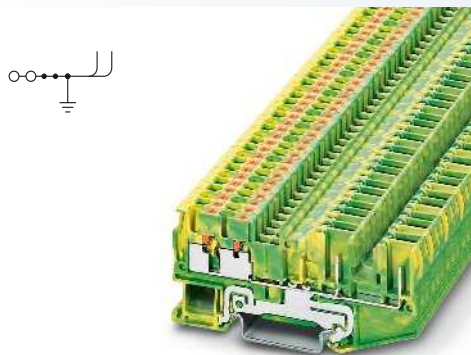
Ordering data		
Type	Order No.	Pcs. / Pkt.
PT 1,5/S-QUATTRO/2P-PE	3212413	50

Cover, width 2.2 mm		gray
End cover segment, for covering multi-conductor terminal blocks when two-conductor terminal blocks are aligned		gray
Insulation stop sleeve, cross section range:		
0.08 - 0.2 mm ²		white
0.25 - 0.5 mm ²		gray
0.75 - 1 mm ²		black
Plug-in bridge		
	2	red
	3	red
	5	red
	10	red
Partition plate, 2 mm width		gray
Screw flange, for ST COMBI terminal blocks, for safe fixing of COMBI plugs with spring-cage connection		gray
for ST 2,5-QUATTRO/2P, ST 2,5-QUATTRO/2P-PE, ST 2,5-TWIN-MT/1P, ST 2,5-TWIN-TG/1P		
Test adapter, 4-mm test socket hole		gray
Test plug metal part, 2.3 mm Ø		
Insulating sleeve, for MPS metal part		red
Modular test plug, for the individual assembly of test plug strips		red
Coding star, with 4 coding branches, can be inserted in all basic terminal blocks		red
Screwdriver		

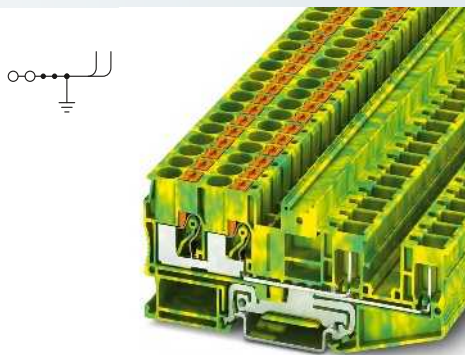
Accessories		
D-PT 1,5/S-QUATTRO/2P	3212426	50
FBS 2-3,5	3213014	50
FBS 3-3,5	3213027	50
FBS 5-3,5	3213043	50
FBS 10-3,5	3213056	50
ATP-ST QUATTRO	3030815	50
MPS-MT	0201744	10
MPS-IH RD	0201676	10
PC	3040588	50
SZF 0-0,4X2,5	1204504	10

Center groove labeling	UCT-TM 3,5 or ZB 3,5 (see Catalog 5)
Center and lateral groove labeling	UCT-TMF 3,5 or ZBF 3,5 (see Catalog 5)





2.5 (4) mm², ground terminal block,
4 connections



6 (10) mm², ground terminal block,
4 connections



Technical data			
Width	Length	Height NS 35/7,5	
5.2	81	36.5	
		max. Ø [mm ²]	AWG
		0.14 - 4	26 - 12
IEC 61984			
IEC	UL/CUL	CSA	IEC/ EN 60079-7
-	-	-	-
-	- / -	-	-
2.5	-	-	-
26 - 12	26-12	26-12	-
solid	stranded	Ferrule Without / with plastic sleeve	
0.14 - 4	0.14 - 2.5	0.14 - 2.5	0.14 - 2.5 0.5
0.34 - 4	-	0.34 - 2.5	0.34 - 2.5
10			
PA			
V0			

Technical data			
Width	Length	Height NS 35/7,5	
8.2	99.8	43.5	
		max. Ø [mm ²]	AWG
		0.5 - 10	20 - 8
IEC 61984			
IEC	UL/CUL	CSA	IEC/ EN 60079-7
-	-	-	-
-	- / -	-	-
6	-	-	-
20 - 8	20-8	-	-
solid	stranded	Ferrule Without / with plastic sleeve	
0.5 - 10	0.5 - 6	0.5 - 6	0.5 - 6 0.5 - 1.5
1 - 10	-	1 - 6	1 - 6
12			
PA			
V0			

Ordering data		
Type	Order No.	Pcs. / Pkt.
PT 2,5-QUATTRO/2P-PE	3209688	50

Ordering data		
Type	Order No.	Pcs. / Pkt.
PT 6-QUATTRO/2P-PE	3061842	50

Accessories		
D-ST 2,5-QUATTRO/ 2P	3040083	50
DS-ST 2,5	3036602	10
ISH 2,5/0,2	3002843	50
ISH 2,5/0,5	3002856	50
ISH 2,5/1,0	3002869	50
FBS 2-5	3030161	50
FBS 3-5	3030174	50
FBS 5-5	3030190	50
FBS 10-5	3030213	10
ATP-ST QUATTRO	3030815	50
ST 2,5-QUATTRO/2P-F	3209853	50
PAI-4-N GY	3032871	10
MPS-MT	0201744	10
MPS-IH RD	0201676	10
PS-5	3030983	10
PC	3040588	50
SZF 1-0,6X3,5	1204517	10

Accessories		
D-PT 6-QUATTRO/2P	3061855	50
FBS 2-6	3030336	50
FBS 3-8	3030297	10
FBS 5-8	3030310	10
FBS 10-8	3030323	10
ATP-QTTCB	3206238	50
PAI-4-N GY	3032871	10
MPS-MT	0201744	10
MPS-IH RD	0201676	10
PS-8	3031005	10
PC	3040588	50
SZF 2-0,8X4,0	1204520	10

UC-TM 5, UCT-TM 5 or ZB 5
(see Catalog 5)
UC-TMF 5, UCT-TMF 5 or ZBF 5
(see Catalog 5)

UC-TM 8, UCT-TM 8 or ZB 8
(see Catalog 5)
UC-TMF 8, UCT-TMF 8 or ZBF 8
(see Catalog 5)

COMBI plug-in connection solutions

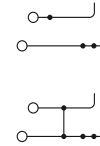
PT-COMBI double-level terminal blocks with push-in connection

- Potential managed on two levels
- Amount of space required is reduced by 50% compared to single-level terminal blocks
- Separate potentials can be used as there are bridge shafts on each level
- Cross connection to any number of terminal blocks with the FBS ... continuous plug-in bridge system
- Replacement, e.g., for supply with heavy-duty plug-in connectors in the control cabinet

Cable entry system

- The CES cable entry system (see Catalog 4) enables the easy and space-saving installation of pre-assembled cables with IP54/IP65 protection in the control cabinet, see figure below

Notes:
For current carrying capacity of DIN rails, see page 716.
1) For derating curve, visit www.phoenixcontact.net/products
2) The total current of all connected conductors must not exceed the maximum load current. For the derating curve, visit www.phoenixcontact.net/products .



1.5 (1.5) mm², 16 A, double-level terminal block

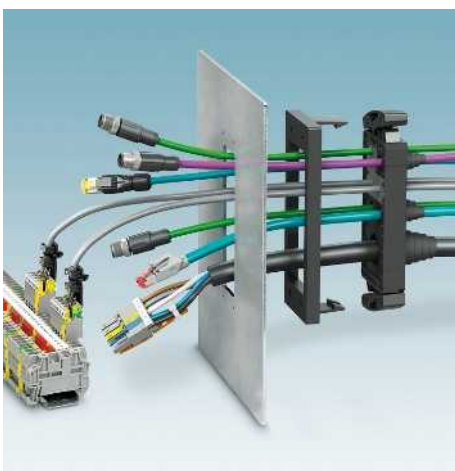


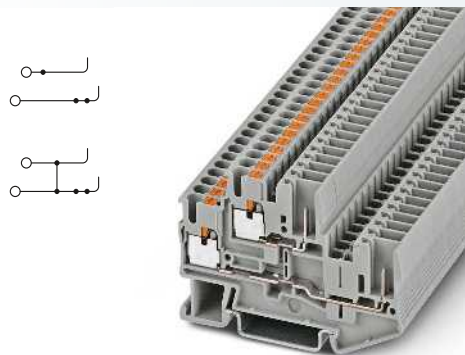
Dimensions		[mm]	
Max. electrical data			
Rated data			
Rated voltage	[V]	500	600
Nominal current / cross section	[A] / [mm ²]	16 ¹⁾ / 1.5	15 / -
Rated cross section	[mm ²]	1.5	-
Cross section range	AWG	26 - 16	26-14
Connection capacity			
1 conductor	[mm ²]	0.14 - 1.5	0.14 - 1.5
Two stranded conductors with a TWIN ferrule	[mm ²]	0.25 - 1.5	-
Direct plug-in connection cross sections	[mm ²]	-	0.34 - 1.5
General data			
Stripping length	[mm]	8	8
Insulating material		PA	PA
Inflammability class according to UL 94		V0	V0

Technical data				
Width	Length	Height NS 35/7,5		
3.5	69.3	42.6		
I _{max} [A]	U _{max} [V]	max. Ø [mm ²]	AWG	
16 ¹⁾	500	0.14 - 1.5	26 - 16	
IEC 61984	UL/CUL	CSA	IEC/EN 60079-7	
IEC	UL/CUL	CSA	IEC/EN 60079-7	
Rated voltage	[V]	500	600	-
Nominal current / cross section	[A] / [mm ²]	16 ¹⁾ / 1.5	15 / -	-
Rated cross section	[mm ²]	1.5	-	-
Cross section range	AWG	26 - 16	26-14	-
Connection capacity		solid	stranded	Ferrule
		Without / with plastic sleeve		
0.14 - 1.5	0.14 - 1.5	0.14 - 1.5	0.14 - 1	
0.25 - 1.5	-	0.34 - 1.5	0.34 - 1	
Ordering data				
Type	I _{max}	Order No.	Pcs. / Pkt.	
PTTB 1,5/S/2P		3212439	50	
PTTB 1,5/S/2P BU		3212442	50	
PTTB 1,5/S/2P-PV		3212468	50	
Accessories				
D-PTTB 1,5/S/2P		3212471	50	
FBS 2-3,5	17.5 A	3213014	50	
FBS 3-3,5	17.5 A	3213027	50	
FBS 4-3,5	17.5 A	3213030	50	
FBS 5-3,5	17.5 A	3213043	50	
FBS 10-3,5	17.5 A	3213056	50	
FBS 20-3,5	17.5 A	3213069	50	
FBS 1,5/S-PV		3216263	10	
ATP-STTB 4		3030747	50	
MPS-MT		0201744	10	
MPS-IH RD		0201676	10	
PC		3040588	50	
SZF 0-0,4X2,5		1204504	10	
Center groove labeling		UCT-TM 3,5 or ZB 3,5 (see Catalog 5)		
Center and lateral groove labeling		UCT-TMF 3,5 or ZBF 3,5 (see Catalog 5)		

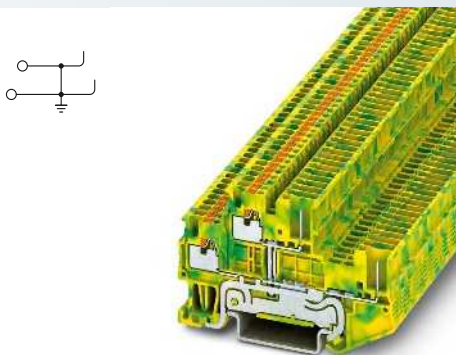
Description	No. of pos.	Color
Terminal block, for mounting on NS 35...		gray blue
Terminal block, with equipotential bond, for mounting on NS 35... ²⁾		gray
Ground terminal block, for mounting on NS 35...		green/yellow

Cover, width 2.2 mm		gray
Insulation stop sleeve, cross section range:		
0.08 - 0.2 mm ²		white
0.25 - 0.5 mm ²		gray
0.75 - 1 mm ²		black
Plug-in bridge		
	2	red
	3	red
	4	red
	5	red
	10	red
	20	red
Vertical potential bridge, to connect the upper and lower level		black
Partition plate, 2 mm width		gray
Screw flange		gray
Test adapter, 4-mm test socket hole		gray
Test plug metal part, 2.3 mm Ø		
Insulating sleeve, for MPS metal part		red
Modular test plug, for the individual assembly of test plug strips		red
Coding star, with 4 coding branches, can be inserted in all basic terminal blocks		red
Screwdriver		

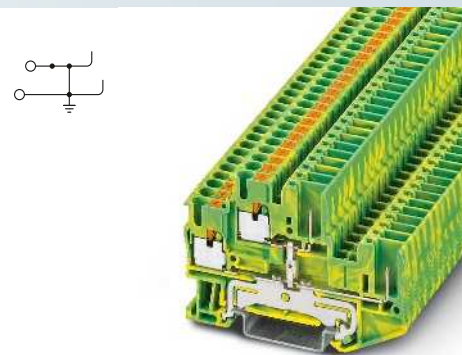




2.5 (4) mm², 22 A, double-level terminal block



1.5 (1.5) mm², double-level ground terminal block



2.5 (4) mm², double-level ground terminal block



Technical data			
Width	Length	Height NS 35/7,5	
5.2	71.5	47.5	
I_{max} [A]	U_{max} [V]	max. Ø [mm ²]	AWG
22)	500	0.14 - 4	26 - 12
IEC 61984			
IEC	UL/CUL	CSA	IEC/EN 60079-7
500	600	300	-
22) / 2.5	20 / -	20 / -	-
2.5	-	-	-
26 - 12	24-12	26-12	-
solid	stranded	Ferrule	
		Without / with plastic sleeve	
0.14 - 4	0.14 - 2.5	0.14 - 2.5	0.14 - 2.5
			0.5
0.34 - 4	-	0.34 - 2.5	0.34 - 2.5
10			
PA			
V0			

Technical data			
Width	Length	Height NS 35/7,5	
3.5	69.3	42.6	
I_{max} [A]	U_{max} [V]	max. Ø [mm ²]	AWG
15)	500	0.14 - 1.5	26 - 16
IEC 61984			
IEC	UL/CUL	CSA	IEC/EN 60079-7
-	-	-	-
-	- / -	-	-
1.5	-	-	-
26 - 16	26-14	26-14	-
solid	stranded	Ferrule	
		Without / with plastic sleeve	
0.14 - 1.5	0.14 - 1.5	0.14 - 1.5	0.14 - 1
0.25 - 1.5	-	0.34 - 1.5	0.34 - 1
8			
PA			
V0			

Technical data			
Width	Length	Height NS 35/7,5	
5.2	71.5	47.5	
I_{max} [A]	U_{max} [V]	max. Ø [mm ²]	AWG
22)	500	0.14 - 4	26 - 12
IEC 61984			
IEC	UL/CUL	CSA	IEC/EN 60079-7
-	-	-	-
-	- / -	-	-
2.5	-	-	-
26 - 12	26-12	26-12	-
solid	stranded	Ferrule	
		Without / with plastic sleeve	
0.14 - 4	0.14 - 2.5	0.14 - 2.5	0.14 - 2.5
			0.5
0.34 - 4	-	0.34 - 2.5	0.34 - 2.5
10			
PA			
V0			

Ordering data			
Type	I_{max}	Order No.	Pcs. / Pkt.
PTTB 2,5/2P		3210871	50
PTTB 2,5/2P BU		3210884	50
PTTB 2,5/2P-PV		3210907	50

Ordering data			
Type	Order No.	Pcs. / Pkt.	
PTTB 1,5/S/2P-PE	3212455	50	

Ordering data			
Type	Order No.	Pcs. / Pkt.	
PTTB 2,5/2P-PE	3210897	50	

Accessories			
D-STTB 2,5/ 2P		3040096	50
ISH 2,5/0,2		3002843	50
ISH 2,5/0,5		3002856	50
ISH 2,5/1,0		3002869	50
FBS 2-5	24 A	3030161	50
FBS 3-5	24 A	3030174	50
FBS 4-5	24 A	3030187	50
FBS 5-5	24 A	3030190	50
FBS 10-5	24 A	3030213	10
FBS 20-5	24 A	3030226	10
FBS-PV		3032185	50
ATP-STTB 4		3030747	50
STTB 2,5/2P-F		3061169	50
PAI-4-N GY		3032871	10
MPS-MT		0201744	10
MPS-IH RD		0201676	10
PS-5		3030983	10
PC		3040588	50
SZF 1-0,6X3,5		1204517	10

Accessories			
D-PTTB 1,5/S/2P		3212471	50
FBS 2-3,5		3213014	50
FBS 3-3,5		3213027	50
FBS 4-3,5		3213030	50
FBS 5-3,5		3213043	50
FBS 10-3,5		3213056	50
FBS 20-3,5		3213069	50
ATP-STTB 4		3030747	50
PC		3040588	50
SZF 0-0,4X2,5		1204504	10

Accessories			
D-STTB 2,5/ 2P		3040096	50
ISH 2,5/0,2		3002843	50
ISH 2,5/0,5		3002856	50
ISH 2,5/1,0		3002869	50
FBS 2-5		3030161	50
FBS 3-5		3030174	50
FBS 4-5		3030187	50
FBS 5-5		3030190	50
FBS 10-5		3030213	10
FBS 20-5		3030226	10
ATP-STTB 4		3030747	50
STTB 2,5/2P-F		3061169	50
PAI-4-N GY		3032871	10
PS-5		3030983	10
PC		3040588	50
SZF 1-0,6X3,5		1204517	10

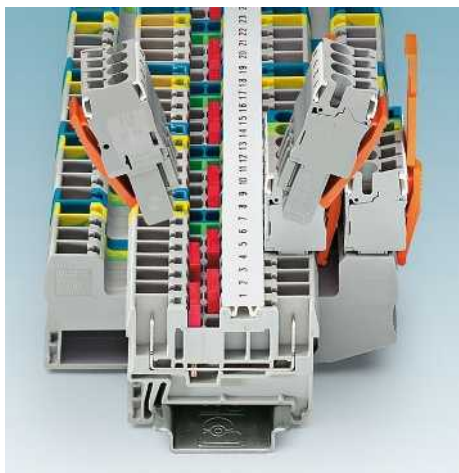
UC-TMF 5, UCT-TMF 5 or ZBF 5
(see Catalog 5)

UCT-TM 3,5 or ZB 3,5
(see Catalog 5)
UCT-TMF 3,5 or ZBF 3,5
(see Catalog 5)

UC-TMF 5, UCT-TMF 5 or ZBF 5
(see Catalog 5)

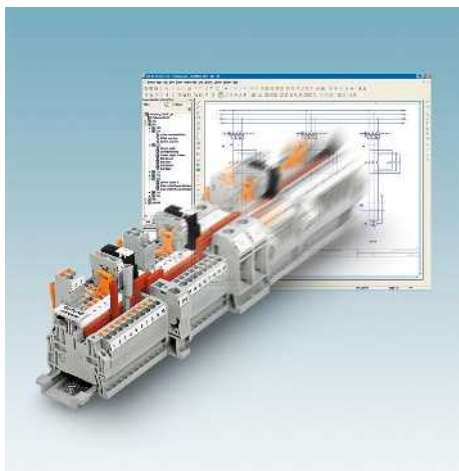
COMBI plug-in connection solutions

COMBI plug-in PIN/PIN feed-through terminal blocks

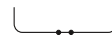


- For the PIN/PIN versions of the COMBI series, plugs can be used on both sides of the terminal blocks
- This makes the COMBI system even more flexible as the terminal blocks are used as the connection element for modules
- Connection with standard COMBI plugs
- The extensive range of accessories, such as latching, strain relief, coding, and shield connection can be used
- Ground terminal blocks of the same shape and pitch
- Contact is made free from mechanical and electrical errors by simply snapping onto the DIN rail
- All the requirements of standard IEC 60947-7-2 are met

CLIP PROJECT Planning enables the quick and convenient planning and configuration of fault-free terminal strips.



Notes:
For other accessories, see page 428.
1) The total current of all connected conductors must not exceed the max. load current.
2) For derating curve, visit www.phoenixcontact.net/products



1.5 (1.5) mm², 17.5 A, feed-through terminal block, 2 connections

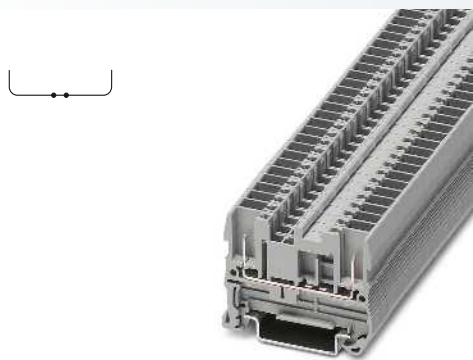


Dimensions		[mm]	
Max. electrical data			
Rated data			
Rated voltage	[V]	500	300
Nominal current / cross section	[A] / [mm ²]	17.5(2) / 1.5	15 / -
Rated cross section	[mm ²]	1.5	-
Cross section range	AWG	26 - 14	-
Connection capacity of the usable plugs			
1 conductor	[mm ²]	0.14 - 1.5	0.14 - 1.5
Two stranded conductors with a TWIN ferrule	[mm ²]		
General data			
Insulating material		PA	
Inflammability class according to UL 94		V0	

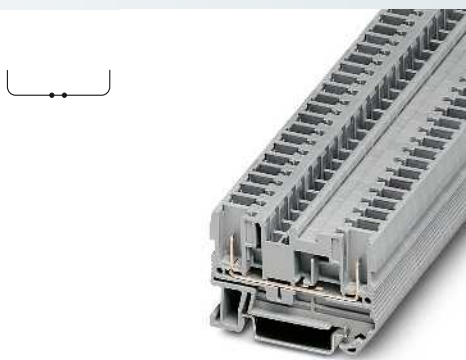
Technical data				
Width	Length	Height NS 35/7,5		
3.5	45.8	32		
I _{max} [A]	U _{max} [V]	max. Ø [mm ²]	AWG	
17.5(2)	500	0.14 - 1.5	26 - 14	
IEC 61984				
IEC	UL/CUL	CSA	IEC/EN 60079-7	
Connection capacity of the usable plugs				
		Ferrule		
		Without / with plastic sleeve		
0.14 - 1.5	0.14 - 1.5	0.14 - 1.5	0.14 - 1	
Ordering data				
Type	I _{max}	Order No.	Pcs. / Pkt.	
PT 1,5/S/2P		3213784	50	
PT 1,5/S/2P BU		3213797	50	
Accessories				
D-PT 1,5/S		3208142	50	
FBS 2-3,5	17.5 A	3213014	50	
FBS 3-3,5	17.5 A	3213027	50	
FBS 4-3,5	17.5 A	3213030	50	
FBS 5-3,5	17.5 A	3213043	50	
FBS 10-3,5	17.5 A	3213056	50	
FBS 20-3,5	17.5 A	3213069	50	
ATP-ST 4		3030721	50	
PC		3040588	50	

Description	No. of pos.	Color
Terminal block, for mounting on NS 35...		gray blue
Cover, width 2.2 mm		gray
Cover, 0.8 mm width		orange
End cover segment, for covering multi-conductor terminal blocks when two-conductor terminal blocks are aligned		gray
Plug-in bridge	2	red
	3	red
	4	red
	5	red
	10	red
	20	red
Partition plate, 2 mm width		gray
Screw flange		gray
Test adapter, 4-mm test socket hole		gray
Test plug metal part, 2.3 mm Ø		
Insulating sleeve, for MPS metal part		red
Modular test plug, for the individual assembly of test plug strips		red
Coding star, with 4 coding branches, can be inserted in all basic terminal blocks		red
Center groove labeling		

Accessories			
D-PT 1,5/S		3208142	50
FBS 2-3,5	17.5 A	3213014	50
FBS 3-3,5	17.5 A	3213027	50
FBS 4-3,5	17.5 A	3213030	50
FBS 5-3,5	17.5 A	3213043	50
FBS 10-3,5	17.5 A	3213056	50
FBS 20-3,5	17.5 A	3213069	50
ATP-ST 4		3030721	50
PC		3040588	50
UCT-TM 3,5 or ZB 3,5 (see Catalog 5)			



2.5 (4) mm², 24 A, feed-through terminal block, 2 connections



4 (6) mm², 32 A, feed-through terminal block, 2 connections



2.5 (4) mm², 24 A, feed-through terminal block, 4 connections



Technical data				
Width	Length	Height NS 35/7,5		
5.2	49.1	36.5		
I_{max} [A]	U_{max} [V]	max. Ø [mm ²]	AWG	
24 ²)	500	0.08 - 4	28 - 12	
IEC 61984				
IEC	UL/CUL	CSA	IEC/EN 60079-7	
500	600	300	-	
24 ²) / 2.5	20 / -	20 / -	-	
2.5	-	-	-	
28 - 12	-	24-12	-	
solid	stranded	Ferrule		
Without / with plastic sleeve				
0.08 - 4	0.08 - 2.5	0.14 - 2.5	0.14 - 2.5	
0.5				
PA				
V0				

Technical data				
Width	Length	Height NS 35/7,5		
6.2	55.9	36.5		
I_{max} [A]	U_{max} [V]	max. Ø [mm ²]	AWG	
32 ²)	800	0.08 - 6	28 - 10	
IEC 61984				
IEC	UL/CUL	CSA	IEC/EN 60079-7	
800	-	-	-	
32 ²) / 4	- / -	-	-	
4	-	-	-	
28 - 10	-	-	-	
solid	stranded	Ferrule		
Without / with plastic sleeve				
0.08 - 6	0.08 - 4	0.14 - 4	0.14 - 4	
0.5 - 1				
PA				
V0				

Technical data				
Width	Length	Height NS 35/7,5		
5.2	89.5	36.5		
I_{max} [A]	U_{max} [V]	max. Ø [mm ²]	AWG	
24 ¹)	500	0.08 - 4	28 - 12	
IEC 61984				
IEC	UL/CUL	CSA	IEC/EN 60079-7	
500	600	300	-	
24 ²) / 2.5	20 / -	20 / -	-	
2.5	-	-	-	
28 - 12	-	24-12	-	
solid	stranded	Ferrule		
Without / with plastic sleeve				
0.08 - 4	0.08 - 2.5	0.14 - 2.5	0.14 - 2.5	
0.5				
PA				
V0				

Ordering data			
Type	I_{max}	Order No.	Pcs. / Pkt.
ST 2,5/2P		3042133	50
ST 2,5/2P BU		3042094	50

Ordering data			
Type	I_{max}	Order No.	Pcs. / Pkt.
ST 4/ 2P		3042735	50
ST 4/ 2P BU		3043789	50

Ordering data			
Type	I_{max}	Order No.	Pcs. / Pkt.
ST 2,5-QUATTRO/4P		3042159	50
ST 2,5-QUATTRO/4P BU		3042081	50

Accessories			
D-ST 2,5		3030417	50
D-ST 2,5-0,8 OG		3030511	50
FBS 2-5	24 A	3030161	50
FBS 3-5	24 A	3030174	50
FBS 4-5	24 A	3030187	50
FBS 5-5	24 A	3030190	50
FBS 10-5	24 A	3030213	10
FBS 20-5	24 A	3030226	10
ATP-ST 4		3030721	50
ST 2,5/2P-F		3061198	50
PAI-4-N GY		3032871	10
MPS-MT		0201744	10
MPS-IH RD		0201676	10
PS-5		3030983	10
PC		3040588	50

Accessories			
D-ST 4		3030420	50
FBS 2-6	32 A	3030336	50
FBS 3-6	32 A	3030242	50
FBS 4-6	32 A	3030255	50
FBS 5-6	32 A	3030349	50
FBS 10-6	32 A	3030271	10
FBS 20-6	32 A	3030365	10
ATP-ST 4		3030721	50
PAI-4-N GY		3032871	10
MPS-MT		0201744	10
MPS-IH RD		0201676	10
PS-6		3030996	10
PC		3040588	50

Accessories			
D-ST 2,5-QUATTRO/4P		3042175	50
DS-ST 2,5/2P		3042337	50
FBS 2-5	24 A	3030161	50
FBS 3-5	24 A	3030174	50
FBS 4-5	24 A	3030187	50
FBS 5-5	24 A	3030190	50
FBS 10-5	24 A	3030213	10
FBS 20-5	24 A	3030226	10
ATP-ST QUATTRO		3030815	50
ST 2,5-QUATTRO/4P-F		3061208	50
PAI-4-N GY		3032871	10
MPS-MT		0201744	10
MPS-IH RD		0201676	10
PS-5		3030983	10
PC		3040588	50

UC-TM 5, UCT-TM 5 or ZB 5
(see Catalog 5)

UC-TM 6, UCT-TM 6 or ZB 6
(see Catalog 5)

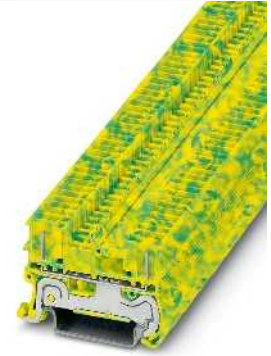
UC-TM 5, UCT-TM 5 or ZB 5
(see Catalog 5)

COMBI plug-in connection solutions

COMBI PIN/PIN ground terminal blocks

- Same shape and pitch as the PIN/PIN versions of the COMBI series
- Contact is made free from mechanical and electrical errors by simply snapping onto the DIN rail
- All the requirements of standard IEC 60947-7-2 are met

Notes:
For current carrying capacity of DIN rails, see page 716.
For other accessories, see page 428.



1.5 (1.5) mm², ground terminal block, 2 connections



Dimensions		
		[mm]
Max. electrical data		
Rated data		
Rated voltage		[V]
Nominal current / cross section		[A] / [mm ²]
Rated cross section		[mm ²]
Cross section range		AWG
Connection capacity of the usable plugs		
1 conductor		[mm ²]
Two stranded conductors with a TWIN ferrule		[mm ²]
General data		
Insulating material		
Inflammability class according to UL 94		

Technical data			
Width	Length	Height NS 35/7,5	
3.5	45.8	32	
		max. Ø [mm ²]	AWG
		0.14 - 1.5	26 - 14
IEC 61984			
IEC	UL/CUL	CSA	IEC/EN 60079-7
-	-	-	-
-	-/-	-	-
1.5	-	-	-
26 - 14	-	-	-
Connection capacity of the usable plugs			Ferrule
	solid	stranded	Without / with plastic sleeve
0.14 - 1.5	0.14 - 1.5	0.14 - 1.5	0.14 - 1
PA			
V0			

Description	No. of pos.	Color
Ground terminal block, for mounting on NS 35...		green-yellow

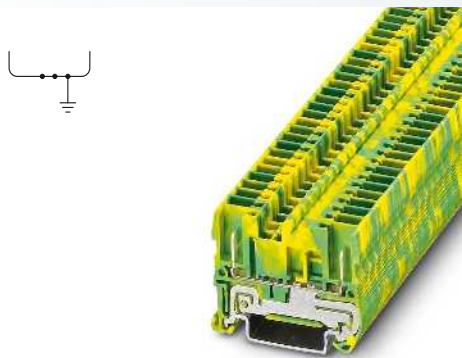
Ordering data		
Type	Order No.	Pcs. / Pkt.
PT 1,5/S/2P-PE	3213810	50

Cover, width 2.2 mm		gray
Plug-in bridge		
	2	red
	3	red
	4	red
	5	red
	10	red
	20	red
Partition plate, 2 mm width		gray
Screw flange		gray
Test adapter, 4-mm test socket hole		gray
Test plug metal part, 2.3 mm Ø		
Insulating sleeve, for MPS metal part		red
Modular test plug, for the individual assembly of test plug strips		red
Coding star, with 4 coding branches, can be inserted in all basic terminal blocks		red

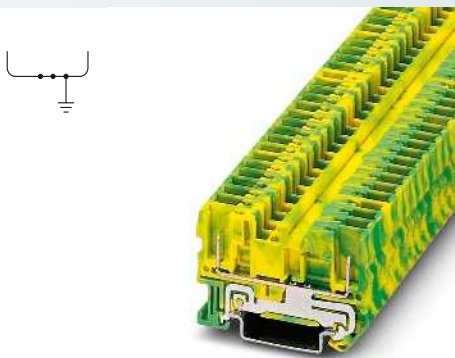
Accessories		
D-PT 1,5/S	3208142	50
FBS 2-3,5	3213014	50
FBS 3-3,5	3213027	50
FBS 4-3,5	3213030	50
FBS 5-3,5	3213043	50
FBS 10-3,5	3213056	50
FBS 20-3,5	3213069	50
ATP-ST 4	3030721	50
PC	3040588	50

Center groove labeling

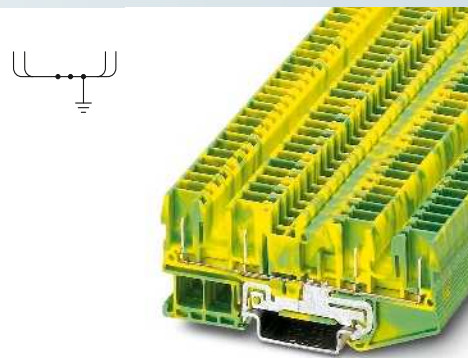
UCT-TM 3,5 or ZB 3,5 (see Catalog 5)



2.5 (4) mm², ground terminal block,
2 connections



4 (6) mm², ground terminal block,
2 connections



2.5 (4) mm², ground terminal block,
4 connections



Technical data			
Width	Length	Height NS 35/7,5	
5.2	49.1	36.5	
		max. Ø [mm ²]	AWG
		0.08 - 4	28 - 12
IEC 61984			
IEC	UL/CUL	CSA	IEC/ EN 60079-7
-	-	-	-
-	-/-	-	-
2.5	-	-	-
28 - 12	-	28-12	-
solid	stranded	Ferrule Without / with plastic sleeve	
0.08 - 4	0.08 - 2.5	0.14 - 2.5	0.14 - 2.5 0.5
PA			
V0			

Technical data			
Width	Length	Height NS 35/7,5	
6.2	55.9	36.5	
		max. Ø [mm ²]	AWG
		0.08 - 6	28 - 10
IEC 61984			
IEC	UL/CUL	CSA	IEC/ EN 60079-7
-	-	-	-
-	-/-	-	-
4	-	-	-
28 - 10	-	-	-
solid	stranded	Ferrule Without / with plastic sleeve	
0.08 - 6	0.08 - 4	0.14 - 4	0.14 - 4 0.5 - 1
PA			
V0			

Technical data			
Width	Length	Height NS 35/7,5	
5.2	89.5	36.5	
		max. Ø [mm ²]	AWG
		0.08 - 4	28 - 12
IEC 61984			
IEC	UL/CUL	CSA	IEC/ EN 60079-7
-	-	-	-
-	-/-	-	-
2.5	-	-	-
28 - 12	-	28-12	-
solid	stranded	Ferrule Without / with plastic sleeve	
0.08 - 4	0.08 - 2.5	0.14 - 2.5	0.14 - 2.5 0.5
PA			
V0			

Ordering data		
Type	Order No.	Pcs. / Pkt.
ST 2,5/2P-PE	3042146	50

Ordering data		
Type	Order No.	Pcs. / Pkt.
ST 4/ 2P-PE	3042748	50

Ordering data		
Type	Order No.	Pcs. / Pkt.
ST 2,5-QUATTRO/4P-PE	3042162	50

Accessories		
D-ST 2,5	3030417	50
FBS 2-5	3030161	50
FBS 3-5	3030174	50
FBS 4-5	3030187	50
FBS 5-5	3030190	50
FBS 10-5	3030213	10
FBS 20-5	3030226	10
ATP-ST 4	3030721	50
ST 2,5/2P-F	3061198	50
PAI-4-N GY	3032871	10
MPS-MT	0201744	10
MPS-IH RD	0201676	10
PS-5	3030983	10
PC	3040588	50

Accessories		
D-ST 4	3030420	50
FBS 2-6	3030336	50
FBS 3-6	3030242	50
FBS 4-6	3030255	50
FBS 5-6	3030349	50
FBS 10-6	3030271	10
FBS 20-6	3030365	10
ATP-ST 4	3030721	50
PAI-4-N GY	3032871	10
MPS-MT	0201744	10
MPS-IH RD	0201676	10
PS-6	3030996	10
PC	3040588	50

Accessories		
D-ST 2,5-QUATTRO/4P	3042175	50
FBS 2-5	3030161	50
FBS 3-5	3030174	50
FBS 4-5	3030187	50
FBS 5-5	3030190	50
FBS 10-5	3030213	10
FBS 20-5	3030226	10
ATP-ST QUATTRO	3030815	50
ST 2,5-QUATTRO/4P-F	3061208	50
PAI-4-N GY	3032871	10
MPS-MT	0201744	10
MPS-IH RD	0201676	10
PS-5	3030983	10
PC	3040588	50

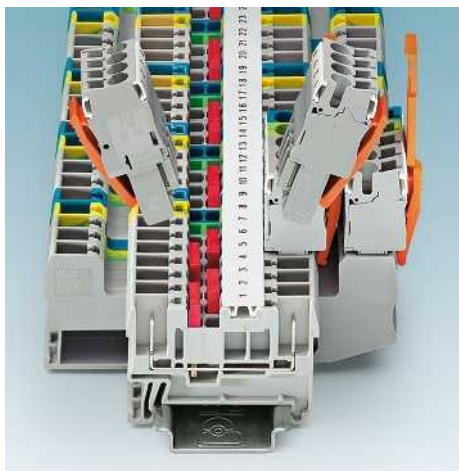
UC-TM 5, UCT-TM 5 or ZB 5
(see Catalog 5)

UC-TM 6, UCT-TM 6 or ZB 6
(see Catalog 5)

UC-TM 5, UCT-TM 5 or ZB 5
(see Catalog 5)

COMBI plug-in connection solutions

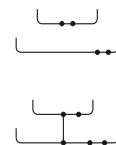
COMBI plug-in PIN/PIN double-level and ground terminal blocks



- For the PIN/PIN versions of the COMBI series, plugs can be used on both sides of the terminal blocks
- This makes the COMBI system even more flexible as the terminal blocks are used as the connection element for modules
- Connection with standard COMBI plugs
- The extensive range of accessories, such as latching, strain relief, coding, and shield connection can be used
- Ground terminal blocks of the same shape and pitch
- Contact is made free from mechanical and electrical errors by simply snapping onto the DIN rail
- All the requirements of standard IEC 60947-7-2 are met

CLIP PROJECT Planning enables the quick and convenient planning and configuration of fault-free terminal strips.

Notes:
For current carrying capacity of DIN rails, see page 716.
1) The total current of all connected conductors must not exceed the max. load current.
2) For derating curve, visit www.phoenixcontact.net/products



1.5 (1.5) mm², 16 A, double-level terminal block



Dimensions		[mm]
Max. electrical data		
Rated data		
Rated voltage	[V]	500
Nominal current / cross section	[A] / [mm ²]	16 ² / 1.5
Rated cross section	[mm ²]	1.5
Cross section range	AWG	26 - 14
Connection capacity of the usable plugs		
1 conductor	[mm ²]	0.14 - 1.5
Direct plug-in connection cross sections	[mm ²]	0.25 - 1.5
General data		
Stripping length	[mm]	8
Insulating material		PA
Inflammability class according to UL 94		V0

Technical data				
Width	Length	Height NS 35/7,5		
3.5	93.9	42.6		
I _{max} [A]	U _{max} [V]	max. Ø [mm ²]	AWG	
16 ²	500	0.14 - 1.5	26 - 14	
IEC 61984				
IEC	UL/CUL	CSA	IEC/EN 60079-7	
Rated voltage	300	-	-	
Nominal current / cross section	15 / -	-	-	
Rated cross section	-	-	-	
Cross section range	-	-	-	
Connection capacity of the usable plugs		solid	stranded	Ferrule
		Without / with plastic sleeve		
1 conductor	0.14 - 1.5	0.14 - 1.5	0.14 - 1.5	0.14 - 1
Direct plug-in connection cross sections	0.25 - 1.5	-	0.34 - 1.5	0.34 - 1

Description	No. of pos.	Color
Terminal block, for mounting on NS 35...		gray
Terminal block, with equipotential bonder, for mounting on NS 35... ¹⁾		blue
Ground terminal block, for mounting on NS 35...		green-yellow

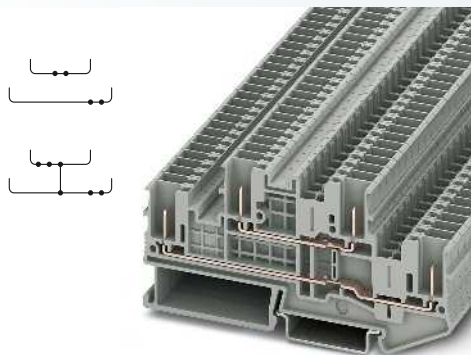
Ordering data			
Type	I _{max}	Order No.	Pcs. / Pkt.
PTTB 1,5/S/4P		3213865	50
PTTB 1,5/S/4P BU		3213878	50
PTTB 1,5/S/4P-PV		3213852	50

Accessories		
Cover, width 2.2 mm	gray	
Plug-in bridge		
	2	red
	3	red
	4	red
	5	red
	10	red
	20	red
Vertical potential bridge, to connect the upper and lower level		black
Partition plate, 2 mm width		gray
Test adapter, 4-mm test socket hole		gray
Test plug metal part, 2.3 mm Ø		
Insulating sleeve, for MPS metal part		red
Modular test plug, for the individual assembly of test plug strips		red
Coding star, with 4 coding branches, can be inserted in all basic terminal blocks		red

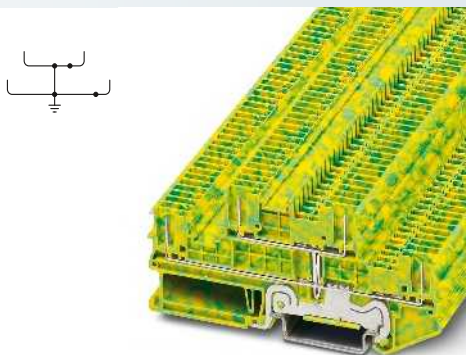
Accessories		
D-PTTB 1,5/S/4P		3213894 50
FBS 2-3,5	17.5 A	3213014 50
FBS 3-3,5	17.5 A	3213027 50
FBS 4-3,5	17.5 A	3213030 50
FBS 5-3,5	17.5 A	3213043 50
FBS 10-3,5	17.5 A	3213056 50
FBS 20-3,5	17.5 A	3213069 50
FBS 1,5/S-PV		3216263 10
ATP-STTB 4		3030747 50
PC		3040588 50

Center groove labeling
Center and lateral groove labeling

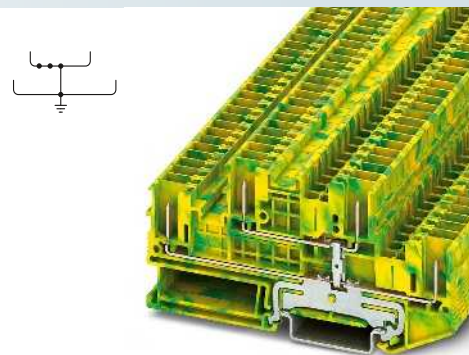
UCT-TM 3,5 or ZB 3,5 (see Catalog 5)
UCT-TMF 3,5 or ZBF 3,5 (see Catalog 5)



2.5 (4) mm², 22 A, double-level terminal block



1.5 (1.5) mm², double-level ground terminal block



2.5 (4) mm², double-level ground terminal block



Technical data				
Width	Length	Height NS 35/7,5		
5.2	98.8	47.5		
I_{max} [A]	U_{max} [V]	max. Ø [mm ²]	AWG	
22 ²)	500	0.08 - 4	28 - 12	
IEC 61984				
IEC	UL/CUL	CSA	IEC/EN 60079-7	
500	600	600	-	
22 ²) / 2.5	20 / -	20	-	
2.5	-	-	-	
28 - 12	-	-	-	
solid	stranded	Ferrule		
		Without / with plastic sleeve		
0.08 - 4	0.08 - 2.5	0.14 - 2.5	0.14 - 2.5	
	-	-	-	
10				
PA				
V0				

Technical data				
Width	Length	Height NS 35/7,5		
3.5	93.9	42.6		
I_{max} [A]	U_{max} [V]	max. Ø [mm ²]	AWG	
12	250	0.14 - 1.5	26 - 14	
IEC 61984				
IEC	UL/CUL	CSA	IEC/EN 60079-7	
-	-	-	-	
-	- / -	-	-	
1.5	-	-	-	
26 - 14	-	-	-	
solid	stranded	Ferrule		
		Without / with plastic sleeve		
0.14 - 1.5	0.14 - 1.5	0.14 - 1.5	0.14 - 1	
0.25 - 1.5	-	0.34 - 1.5	0.34 - 1	
12				
PA				
V0				

Technical data				
Width	Length	Height NS 35/7,5		
5.2	98.8	47.5		
I_{max} [A]	U_{max} [V]	max. Ø [mm ²]	AWG	
22 ²)	500	0.08 - 4	28 - 12	
IEC 61984				
IEC	UL/CUL	CSA	IEC/EN 60079-7	
-	-	-	-	
-	- / -	-	-	
2.5	-	-	-	
28 - 12	-	-	-	
solid	stranded	Ferrule		
		Without / with plastic sleeve		
0.08 - 4	0.08 - 2.5	0.14 - 2.5	0.14 - 2.5	
	-	-	-	
10				
PA				
V0				

Ordering data			
Type	I_{max}	Order No.	Pcs. / Pkt.
STTB 2,5/4P		3061486	50
STTB 2,5/4P BU		3061512	50
STTB 2,5/4P-PV		3061509	50

Ordering data			
Type	Order No.	Pcs. / Pkt.	
PTTB 1,5/S/4P-PE	3213881	50	

Ordering data			
Type	Order No.	Pcs. / Pkt.	
STTB 2,5/4P-PE	3061499	50	

Accessories			
D-STTB 2,5/4P	3061538	50	
FBS 2-5	24 A	3030161	50
FBS 3-5	24 A	3030174	50
FBS 4-5	24 A	3030187	50
FBS 5-5	24 A	3030190	50
FBS 10-5	24 A	3030213	10
FBS 20-5	24 A	3030226	10
FBS-PV		3032185	50
ATP-STTB 4		3030747	50
PAI-4-N GY		3032871	10
MPS-MT		0201744	10
MPS-IH RD		0201676	10
PS-5		3030983	10
PC		3040588	50

Accessories			
D-PTTB 1,5/S/4P	3213894	50	
FBS 2-3,5		3213014	50
FBS 3-3,5		3213027	50
FBS 4-3,5		3213030	50
FBS 5-3,5		3213043	50
FBS 10-3,5		3213056	50
FBS 20-3,5		3213069	50
ATP-STTB 4		3030747	50
PC		3040588	50

Accessories			
D-STTB 2,5/4P	3061538	50	
FBS 2-5		3030161	50
FBS 3-5		3030174	50
FBS 4-5		3030187	50
FBS 5-5		3030190	50
FBS 10-5		3030213	10
FBS 20-5		3030226	10
ATP-STTB 4		3030747	50
PAI-4-N GY		3032871	10
MPS-MT		0201744	10
MPS-IH RD		0201676	10
PS-5		3030983	10
PC		3040588	50

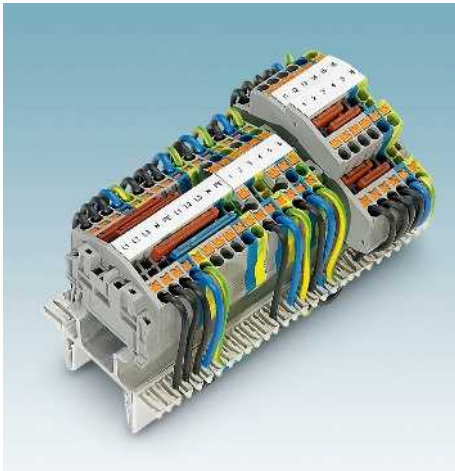
UC-TM 5, UCT-TM 5 or ZB 5
(see Catalog 5)

UCT-TM 3,5 or ZB 3,5
(see Catalog 5)
UCT-TMF 3,5 or ZBF 3,5
(see Catalog 5)

UC-TM 5, UCT-TM 5 or ZB 5
(see Catalog 5)

COMBI plug-in connection solutions

COMBI plug-in push-in desk-design feed-through and double-level terminal blocks



The COMBI plug-in push-in terminal blocks are characterized by the standard push-in technology system features and those of the CLIPLINE complete system, as well as the following features:

- Compact design also with 3.5 mm pitch
- Uniform, touch-proof plug-in zone
- For nominal currents up to 17.5 A
- For nominal voltages up to 500 V

PTS 1,5/S...

- Angled conductor entry for use in flat terminal boxes
- Two and three-conductor terminal blocks of the same shape
- Four function shafts enable all potential distribution tasks to be carried out in a convenient manner

PTTBS 1,5/S

- Two bridge shafts on both levels for all potential distribution tasks
- Two large-surface labeling options
- Potential bridging of levels using the

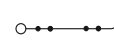
FBS 1,5/S-PV vertical potential bridge

Terminal strip service

We produce fully pre-assembled terminal strips for fitting straight into the control cabinet or switch system. This simplifies installation, saves time, and cuts costs.

Notes:

- 1) The total current of all connected conductors must not exceed the max. load current.
- 2) For derating curve, visit www.phoenixcontact.net/products



1.5 (1.5) mm², 17.5 A, feed-through terminal block, 2 connections



Dimensions	
	[mm]
Max. electrical data	
Rated voltage	[V]
Nominal current / cross section	[A] / [mm ²]
Rated cross section	[mm ²]
Cross section range	AWG
Connection capacity	
1 conductor	[mm ²]
Direct plug-in connection cross sections	[mm ²]
General data	
Stripping length	[mm]
Insulating material	
Inflammability class according to UL 94	

Description	No. of pos.	Color
Terminal block, for mounting on NS 35...		gray
Terminal block, with equipotential bonder, for mounting on NS 35...		blue
		gray

Description	No. of pos.	Color
Cover, width 2.2 mm		gray
Plug-in bridge		
	2	red
	3	red
	4	red
	5	red
	10	red
	20	red

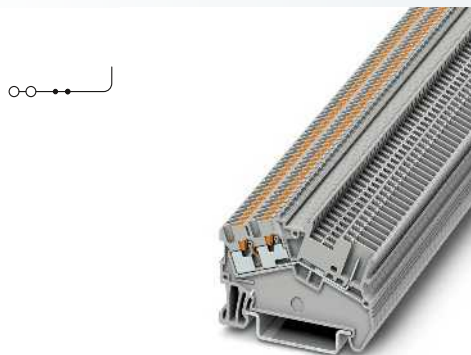
Vertical potential bridge, to connect the upper and lower level		black
Partition plate, 2 mm width		gray
Test plug metal part, 2.3 mm Ø		
Insulating sleeve, for MPS metal part		red
Coding star, with 4 coding branches, can be inserted in all basic terminal blocks		red
Screwdriver		
Center groove labeling		
Center and lateral groove labeling		

Technical data				
Width	Length	Height NS 35/7,5		
3.5	50.7	38.5		
I _{max} [A]	U _{max} [V]	max. Ø [mm ²]	AWG	
17.5	500	0.14 - 1.5	26 - 14	
IEC 61984				
IEC	UL/CUL	CSA	IEC/EN 60079-7	
Rated voltage	600	-	-	
Nominal current / cross section	17.5(2) / 1.5	15 / -	-	
Rated cross section	1.5	-	-	
Cross section range	26 - 14	26-14	-	
Connection capacity		solid	stranded	Ferrule
		Without / with plastic sleeve		
1 conductor	0.14 - 1.5	0.14 - 1.5	0.14 - 1.5	0.14 - 1
Direct plug-in connection cross sections	0.25 - 1.5	-	0.34 - 1.5	0.34 - 1
Stripping length				
8				
PA				
V0				

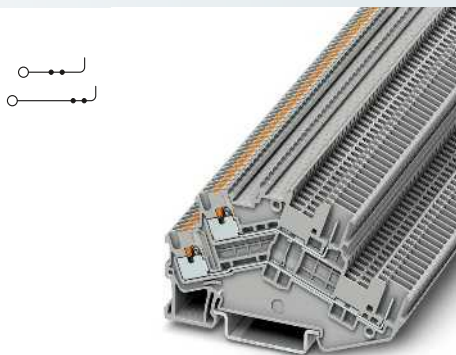
Ordering data			
Type	I _{max}	Order No.	Pcs. / Pkt.
PTS 1,5/S/1P		3214453	50
PTS 1,5/S/1P BU		3214466	50

Accessories			
D-PTS 1,5/S		3214576	50
FBS 2-3,5	17.5 A	3213014	50
FBS 3-3,5	17.5 A	3213027	50
FBS 4-3,5	17.5 A	3213030	50
FBS 5-3,5	17.5 A	3213043	50
FBS 10-3,5	17.5 A	3213056	50
FBS 20-3,5	17.5 A	3213069	50
ATP-ST 4		3030721	50
MPS-MT		0201744	10
MPS-IH RD		0201676	10
PC		3040588	50
SZF 0-0,4X2,5		1204504	10

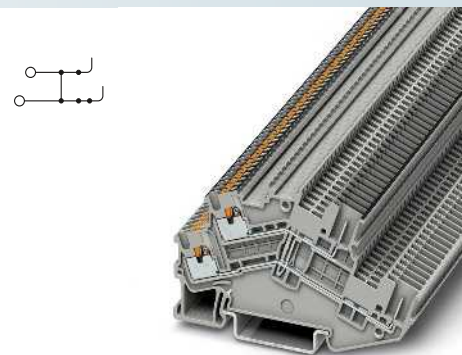
UCT-TM 3,5 or ZB 3,5 (see Catalog 5)	
UCT-TMF 3,5 or ZBF 3,5 (see Catalog 5)	



1.5 (1.5) mm², 17.5 A, feed-through terminal block, 3 connections



1.5 (1.5) mm², 16 A, double-level terminal block



1.5 (1.5) mm², 16 A, double-level terminal block, internally connected levels



Technical data			
Width	Length	Height NS 35/7,5	
3.5	50.7	38.5	
I_{max} [A]	U_{max} [V]	max. Ø [mm ²]	AWG
17.5*)	500	0.14 - 1.5	26 - 14
IEC 61984			
IEC	UL/CUL	CSA	IEC/EN 60079-7
500	600	-	-
17.5 ²⁾ / 1.5	15 / -	-	-
1.5	-	-	-
26 - 14	26-14	-	-
solid	stranded	Ferrule	
Without / with plastic sleeve			
0.14 - 1.5	0.14 - 1.5	0.14 - 1.5	0.14 - 1
0.25 - 1.5	-	0.34 - 1.5	0.34 - 1
8	PA	V0	

Technical data			
Width	Length	Height NS 35/7,5	
3.5	78	55	
I_{max} [A]	U_{max} [V]	max. Ø [mm ²]	AWG
16	500	0.14 - 1.5	26 - 14
IEC 61984			
IEC	UL/CUL	CSA	IEC/EN 60079-7
500	600	-	-
16 ²⁾ / 1.5	15 / -	-	-
1.5	-	-	-
26 - 14	26-14	-	-
solid	stranded	Ferrule	
Without / with plastic sleeve			
0.14 - 1.5	0.14 - 1.5	0.14 - 1.5	0.14 - 1
0.25 - 1.5	-	0.34 - 1.5	0.34 - 1
8	PA	V0	

Technical data			
Width	Length	Height NS 35/7,5	
3.5	78	55	
I_{max} [A]	U_{max} [V]	max. Ø [mm ²]	AWG
16*)	500	0.14 - 1.5	26 - 14
IEC 61984			
IEC	UL/CUL	CSA	IEC/EN 60079-7
500	600	-	-
16 ²⁾ / 1.5	15 / -	-	-
1.5	-	-	-
26 - 14	26-14	-	-
solid	stranded	Ferrule	
Without / with plastic sleeve			
0.14 - 1.5	0.14 - 1.5	0.14 - 1.5	0.14 - 1
0.25 - 1.5	-	0.34 - 1.5	0.34 - 1
8	PA	V0	

Ordering data			
Type	I_{max}	Order No.	Pcs. / Pkt.
PTS 1,5/S-TWIN/1P		3214709	50
PTS 1,5/S-TWIN/1P BU		3214712	50

Ordering data			
Type	I_{max}	Order No.	Pcs. / Pkt.
PTTBS 1,5/S/2P		3214495	50
PTTBS 1,5/S/2P BU		3214505	50

Ordering data			
Type	I_{max}	Order No.	Pcs. / Pkt.
PTTBS 1,5/S/2P-PV		3214521	50

Accessories			
D-PTS 1,5/S		3214576	50
FBS 2-3,5	17.5 A	3213014	50
FBS 3-3,5	17.5 A	3213027	50
FBS 4-3,5	17.5 A	3213030	50
FBS 5-3,5	17.5 A	3213043	50
FBS 10-3,5	17.5 A	3213056	50
FBS 20-3,5	17.5 A	3213069	50
ATP-ST 4		3030721	50
MPS-MT		0201744	10
MPS-IH RD		0201676	10
PC		3040588	50
SZF 0-0,4X2,5		1204504	10

Accessories			
D-PTTBS 1,5/S/2P		3214534	50
FBS 2-3,5	17.5 A	3213014	50
FBS 3-3,5	17.5 A	3213027	50
FBS 4-3,5	17.5 A	3213030	50
FBS 5-3,5	17.5 A	3213043	50
FBS 10-3,5	17.5 A	3213056	50
FBS 20-3,5	17.5 A	3213069	50
FBS 1,5/S-PV		3216263	10
ATP-STTB 4		3030747	50
MPS-MT		0201744	10
MPS-IH RD		0201676	10
PC		3040588	50
SZF 0-0,4X2,5		1204504	10

Accessories			
D-PTTBS 1,5/S/2P		3214534	50
FBS 2-3,5	17.5 A	3213014	50
FBS 3-3,5	17.5 A	3213027	50
FBS 4-3,5	17.5 A	3213030	50
FBS 5-3,5	17.5 A	3213043	50
FBS 10-3,5	17.5 A	3213056	50
FBS 20-3,5	17.5 A	3213069	50
ATP-STTB 4		3030747	50
MPS-MT		0201744	10
MPS-IH RD		0201676	10
PC		3040588	50
SZF 0-0,4X2,5		1204504	10

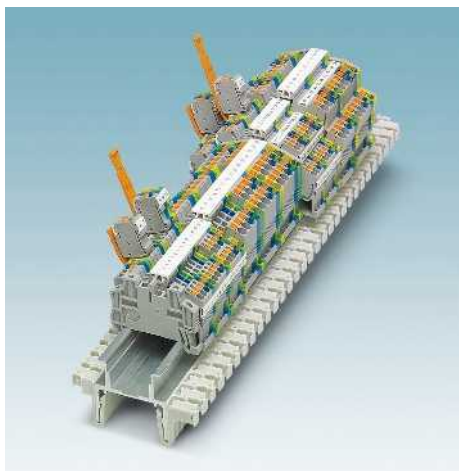
UCT-TM 3,5 or ZB 3,5
(see Catalog 5)
UCT-TMF 3,5 or ZBF 3,5
(see Catalog 5)

UCT-TM 3,5 or ZB 3,5
(see Catalog 5)
UCT-TMF 3,5 or ZBF 3,5
(see Catalog 5)

UCT-TM 3,5 or ZB 3,5
(see Catalog 5)
UCT-TMF 3,5 or ZBF 3,5
(see Catalog 5)

COMBI plug-in connection solutions

PTS ...-PE, PTTBS ...-PE COMBI plug-in push-in desk-design ground terminal blocks

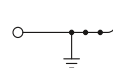


- Same shape and pitch as the feed-through terminal blocks
- Contact is made free from mechanical and electrical errors by simply snapping onto the DIN rail
- All the requirements of standard IEC 60947-7-2 are met

CLIP PROJECT Planning enables the quick and convenient planning and configuration of fault-free terminal strips.

Notes:

For current carrying capacity of DIN rails, see page 716.



1.5 (1.5) mm², ground terminal block, 2 connections



Dimensions		[mm]	
Max. electrical data			
Rated data			
Rated voltage	[V]	-	-
Nominal current / cross section	[A] / [mm ²]	-	- / -
Rated cross section	[mm ²]	1.5	-
Cross section range	AWG	26 - 14	26-14
Connection capacity			
1 conductor	[mm ²]	0.14 - 1.5	0.14 - 1.5
Direct plug-in connection cross sections	[mm ²]	0.25 - 1.5	-
General data			
Stripping length	[mm]	8	
Insulating material		PA	
Inflammability class according to UL 94		V0	

Technical data			
Width	Length	Height NS 35/7,5	
3.5	50.7	38.5	
		max. Ø [mm ²]	AWG
		0.14 - 1.5	26 - 14
IEC 61984	UL/CUL	CSA	IEC/EN 60079-7
IEC			
Connection capacity			
		Ferrule	
		Without / with plastic sleeve	
0.14 - 1.5	0.14 - 1.5	0.14 - 1.5	0.14 - 1
0.25 - 1.5	-	0.34 - 1.5	0.34 - 1

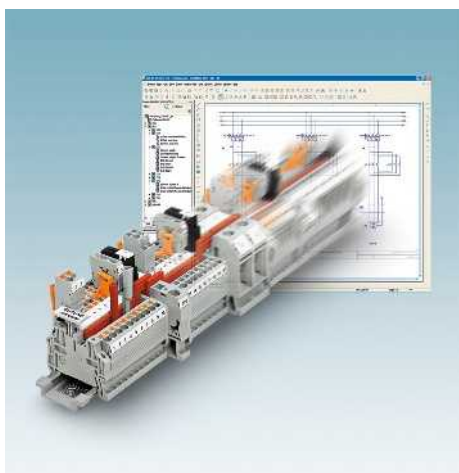
Description	No. of pos.	Color
Ground terminal block, for mounting on NS 35...		green-yellow

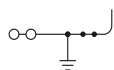
Ordering data		
Type	Order No.	Pcs. / Pkt.
PTS 1,5/S/1P-PE	3214479	50

Cover, width 2.2 mm		gray
Plug-in bridge	2	red
	3	red
	4	red
	5	red
	10	red
	20	red
Partition plate, 2 mm width		gray
Test plug metal part, 2.3 mm Ø		
Insulating sleeve, for MPS metal part		red
Coding star, with 4 coding branches, can be inserted in all basic terminal blocks		red
Screwdriver		

Accessories		
Type	Order No.	Pcs. / Pkt.
D-PTS 1,5/S	3214576	50
FBS 2-3,5	3213014	50
FBS 3-3,5	3213027	50
FBS 4-3,5	3213030	50
FBS 5-3,5	3213043	50
FBS 10-3,5	3213056	50
FBS 20-3,5	3213069	50
ATP-ST 4	3030721	50
MPS-MT	0201744	10
MPS-IH RD	0201676	10
PC	3040588	50
SZF 0-0,4X2,5	1204504	10

Center groove labeling	UCT-TM 3,5 or ZB 3,5 (see Catalog 5)
Center and lateral groove labeling	UCT-TMF 3,5 or ZBF 3,5 (see Catalog 5)





1.5 (1.5) mm², ground terminal block, 3 connections



1.5 (1.5) mm², double-level ground terminal block



Technical data			
Width	Length	Height NS 35/7,5	
3.5	50.7	38.5	
		max. Ø [mm ²]	AWG
		0.14 - 1.5	26 - 14
IEC 61984			
IEC	UL/CUL	CSA	IEC/EN 60079-7
-	-	-	-
-	-/-	-	-
1.5	-	-	-
26 - 14	26-14	-	-
solid	stranded	Ferrule	
		Without / with plastic sleeve	
0.14 - 1.5	0.14 - 1.5	0.14 - 1.5	0.14 - 1
0.25 - 1.5	-	0.34 - 1.5	0.34 - 1
8			
PA			
V0			

Technical data			
Width	Length	Height NS 35/7,5	
3.5	78	55	
		max. Ø [mm ²]	AWG
		0.14 - 1.5	26 - 14
IEC 61984			
IEC	UL/CUL	CSA	IEC/EN 60079-7
-	-	-	-
-	-/-	-	-
1.5	-	-	-
26 - 14	26-14	-	-
solid	stranded	Ferrule	
		Without / with plastic sleeve	
0.14 - 1.5	0.14 - 1.5	0.14 - 1.5	0.14 - 1
0.25 - 1.5	-	0.34 - 1.5	0.34 - 1
8			
PA			
V0			

Ordering data		
Type	Order No.	Pcs. / Pkt.
PTS 1,5/S-TWIN/1P-PE	3214725	50

Ordering data		
Type	Order No.	Pcs. / Pkt.
PTBS 1,5/S/2P-PE	3214518	50

Accessories		
D-PTS 1,5/S	3214576	50
FBS 2-3,5	3213014	50
FBS 3-3,5	3213027	50
FBS 4-3,5	3213030	50
FBS 5-3,5	3213043	50
FBS 10-3,5	3213056	50
FBS 20-3,5	3213069	50
ATP-ST 4	3030721	50
MPS-MT	0201744	10
MPS-IH RD	0201676	10
PC	3040588	50
SZF 0-0,4X2,5	1204504	10

Accessories		
D-PTBS 1,5/S/2P	3214534	50
FBS 2-3,5	3213014	50
FBS 3-3,5	3213027	50
FBS 4-3,5	3213030	50
FBS 5-3,5	3213043	50
FBS 10-3,5	3213056	50
FBS 20-3,5	3213069	50
ATP-STTB 4	3030747	50
MPS-MT	0201744	10
MPS-IH RD	0201676	10
PC	3040588	50
SZF 0-0,4X2,5	1204504	10

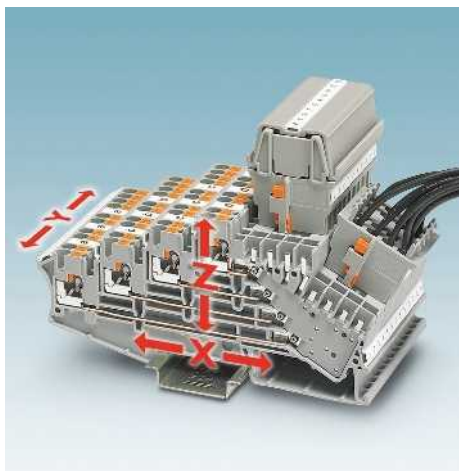
UCT-TM 3,5 or ZB 3,5
(see Catalog 5)
UCT-TMF 3,5 or ZBF 3,5
(see Catalog 5)

UCT-TM 3,5 or ZB 3,5
(see Catalog 5)
UCT-TMF 3,5 or ZBF 3,5
(see Catalog 5)

Modular terminal blocks - CLIPLINE complete

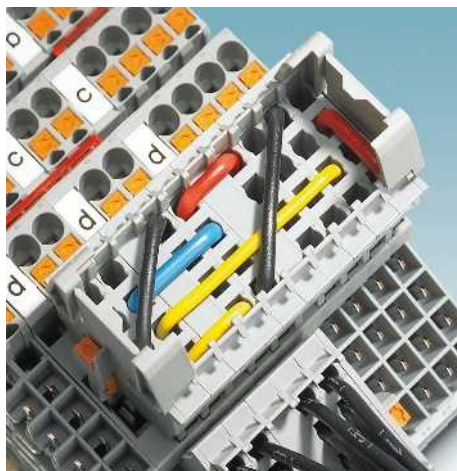
COMBI plug-in connection solutions

PT 2,5...L... COMBI plug-in push-in four-level terminal blocks



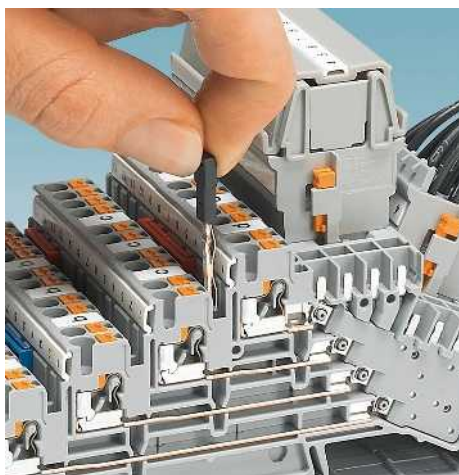
The plug-in four-level terminal blocks offer the following advantages when space is at a premium:

- Quick and easy signal distribution within controllers and power and process technology systems
- Compact, three-dimensional marshalling distributors can be set up

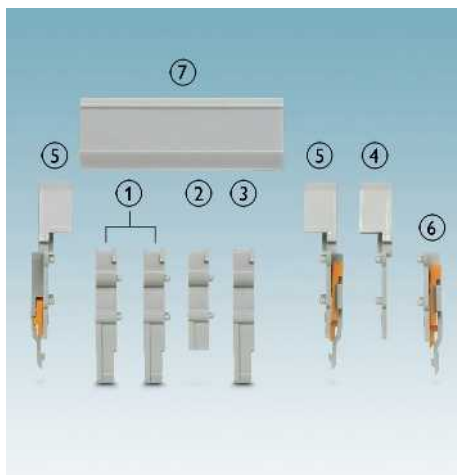


The four-level terminal blocks are equipped with two slots and increase system modularity by adding a further jumpering level. They enable the use of:

- Jumper plugs for free assembly that can be used for horizontal, vertical, and diagonal signal wiring
- Plugs for free assembly, e.g., for function and wiring test
- An additional connector outlet for signal wiring running to the field



- The FBS–PV PT 2,5-4L plug-in vertical bridge enables potential to be distributed easily between the levels of a terminal



- ① 4-pos. plug with CP-H 2,5-4L-Z engagement pin
- ② DP-CP-H 2,5-4L spacer plate
- ③ CP-H 2,5-4L 4-pos. plug
- ④ D-CP-H 2,5-4L cover profile carrier
- ⑤ DFS-CP-H 2,5-4L cover profile carrier with self-locking flange cover
- ⑥ DFS-CP 2,5-4L self-locking flange cover
- ⑦ AP-CP-H cover profile

Notes:

For current carrying capacity of DIN rails, see page 716.

For more plug-in bridges, visit www.phoenixcontact.net/products.

In order to crimp STG-MTN... modular socket contacts, the CRIMPFOX MT 2,5 (Order No. 1204038) must be used.

¹⁾ For derating curve, visit www.phoenixcontact.net/products

Dimensions

[mm]

Max. electrical data

Rated data

Rated voltage	[V]
Nominal current / cross section	[A] / [mm ²]
Rated cross section	[mm ²]
Cross section range	AWG

Connection capacity

1 conductor	[mm ²]
Two stranded conductors with a TWIN ferrule	[mm ²]
Direct plug-in connection cross sections	[mm ²]

General data

Stripping length	[mm]
Insulating material	
Inflammability class according to UL 94	

Description	No. of pos.	Color
Terminal block, for mounting on NS 35...		gray
Terminal block with PE foot, for mounting on NS 35...		gray
Plug housing, for accommodating 4 socket contacts		gray
Plug housing with engagement pin		gray

Cover, width 2.2 mm

gray

Plug-in bridge

	2	red
	3	red
	4	red
	5	red
	10	red
	20	red

Vertical potential bridge, to connect the upper and lower level

black

Self-locking flange, can be labeled with UC-TM

gray

Module socket contact, 0.5 - 1 mm²

silver

Module socket contact, 1.5 - 2.5 mm²

silver

Spacer plate

gray

Cover profile, 1 m, can be labeled with UC-TM ...

gray

Cover profile carrier

gray

Cover profile carrier, with self-locking flange cover

gray

Self-locking flange cover

gray

Test adapter, 4-mm test socket hole

gray

Test plug metal part, 2.3 mm Ø

red

Insulating sleeve, for MPS metal part

red

Modular test plug, for the individual assembly of test plug strips

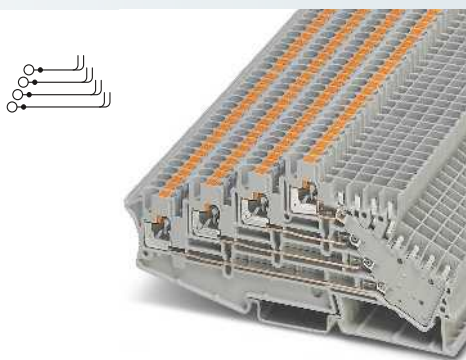
red

Screwdriver

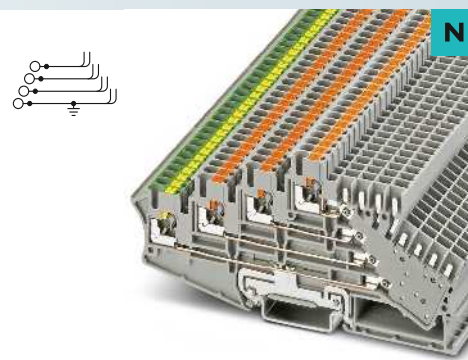
Lateral groove labeling



2.5 (4) mm², 10 A, four-level terminal block



2.5 (4) mm², 10 A, four-level terminal block, two slots



2.5 (4) mm², 10 A, four-level terminal block with PE foot

Technical data			
Width	Length	Height NS 35/7,5	
5.2	105.6	59	
I_{max} [A]	U_{max} [V]	max. Ø [mm ²]	AWG
10 ¹⁾	250	0.14 - 4	26 - 12
IEC 61984			
IEC	UL/CUL	CSA	IEC/EN 60079-7
250	-	-	-
10 ¹⁾ / 1.5	- / -	-	-
2.5	-	-	-
26 - 12	-	-	-
solid	stranded	Ferrule	
Without / with plastic sleeve			
0.14 - 4	0.14 - 2.5	0.14 - 2.5	0.14 - 2.5
0.5			
0.34 - 4	-	0.34 - 2.5	0.34 - 2.5
10			
PA			
V0			

Technical data			
Width	Length	Height NS 35/7,5	
5.2	125	59	
I_{max} [A]	U_{max} [V]	max. Ø [mm ²]	AWG
10 ¹⁾	250	0.14 - 4	26 - 12
IEC 61984			
IEC	UL/CUL	CSA	IEC/EN 60079-7
250	-	-	-
10 ¹⁾ / 1.5	- / -	-	-
2.5	-	-	-
26 - 12	-	-	-
solid	stranded	Ferrule	
Without / with plastic sleeve			
0.14 - 4	0.14 - 2.5	0.14 - 2.5	0.14 - 2.5
0.5			
0.34 - 4	-	0.34 - 2.5	0.34 - 2.5
10			
PA			
V0			

Technical data			
Width	Length	Height NS 35/7,5	
5.2	125	59	
I_{max} [A]	U_{max} [V]	max. Ø [mm ²]	AWG
10 ¹⁾	250	0.14 - 4	26 - 12
IEC 61984			
IEC	UL/CUL	CSA	IEC/EN 60079-7
250	-	-	-
10 ¹⁾ / 1.5	- / -	-	-
2.5	-	-	-
26 - 12	-	-	-
solid	stranded	Ferrule	
Without / with plastic sleeve			
0.14 - 4	0.14 - 2.5	0.14 - 2.5	0.14 - 2.5
0.5			
0.34 - 4	-	0.34 - 2.5	0.34 - 2.5
10			
PA			
V0			

Ordering data			
Type	I_{max}	Order No.	Pcs. / Pkt.
PT 2,5-4L/1P		3012300	50
CP-H 2,5-4L		3012313	50
CP-H 2,5-4L-Z		3012314	50

Ordering data			
Type	I_{max}	Order No.	Pcs. / Pkt.
PT 2,5-4L/2P		3012310	50
CP-H 2,5-4L		3012313	50
CP-H 2,5-4L-Z		3012314	50

Ordering data		
Type	Order No.	Pcs. / Pkt.
PT 2,5-PE/3L/2P	3012316	50
CP-H 2,5-4L-PE	3012323	50
CP-H 2,5-4L-Z-PE	3012324	50

Accessories			
D-PT 2,5-4L/1P		3012301	10
FBS 2-5	24 A	3030161	50
FBS 3-5	24 A	3030174	50
FBS 4-5	24 A	3030187	50
FBS 5-5	24 A	3030190	50
FBS 10-5	24 A	3030213	10
FBS 20-5	24 A	3030226	10
FBS-PV PT 2,5-4L		3012318	50
PT 2,5-4L/1P-FS		3012302	10
STG-MTN 0,5-1,0		3190438	100
STG-MTN 1,5-2,5		3190506	100
DP-CP-H 2,5-4L		3012319	50
AP-CP-H	METER	3012315	10
D-CP-H 2,5-4L		3012320	50
DFS-CP-H 2,5-4L		3012317	50
DFS-CP 2,5-4L		3012321	50
PAI-4-N GY		3032871	10
MPS-MT		0201744	10
MPS-IH RD		0201676	10
PS-5		3030983	10
SZF 1-0,6X3,5		1204517	10

Accessories			
D-PT 2,5-4L/2P		3012311	10
FBS 2-5	24 A	3030161	50
FBS 3-5	24 A	3030174	50
FBS 4-5	24 A	3030187	50
FBS 5-5	24 A	3030190	50
FBS 10-5	24 A	3030213	10
FBS 20-5	24 A	3030226	10
FBS-PV PT 2,5-4L		3012318	50
PT 2,5-4L/2P-FS		3012312	10
STG-MTN 0,5-1,0		3190438	100
STG-MTN 1,5-2,5		3190506	100
DP-CP-H 2,5-4L		3012319	50
AP-CP-H	METER	3012315	10
D-CP-H 2,5-4L		3012320	50
DFS-CP-H 2,5-4L		3012317	50
DFS-CP 2,5-4L		3012321	50
PAI-4-N GY		3032871	10
MPS-MT		0201744	10
MPS-IH RD		0201676	10
PS-5		3030983	10
SZF 1-0,6X3,5		1204517	10

Accessories			
D-PT 2,5-4L/2P		3012311	10
FBS 2-5		3030161	50
FBS 3-5		3030174	50
FBS 4-5		3030187	50
FBS 5-5		3030190	50
FBS 10-5		3030213	10
FBS 20-5		3030226	10
FBS-PV PT 2,5-4L		3012318	50
STG-MTN 0,5-1,0		3190438	100
STG-MTN 1,5-2,5		3190506	100
DP-CP-H 2,5-4L		3012319	50
AP-CP-H	METER	3012315	10
D-CP-H 2,5-4L		3012320	50
DFS-CP-H 2,5-4L		3012317	50
DFS-CP 2,5-4L		3012321	50
PAI-4-N GY		3032871	10
MPS-MT		0201744	10
PS-5		3030983	10
SZF 1-0,6X3,5		1204517	10

UC-TMF 5, UCT-TMF 5 or ZBF 5 (see Catalog 5)

UC-TMF 5, UCT-TMF 5 or ZBF 5 (see Catalog 5)

UC-TMF 5, UCT-TMF 5 or ZBF 5 (see Catalog 5)

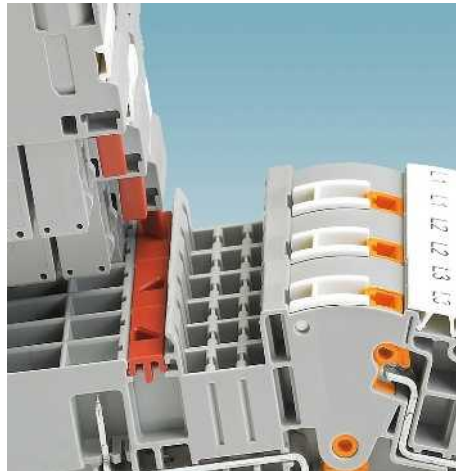
COMBI plug-in connection solutions

COMBI plug-in push-in current transformer disconnect terminal block with automatic short-circuit function



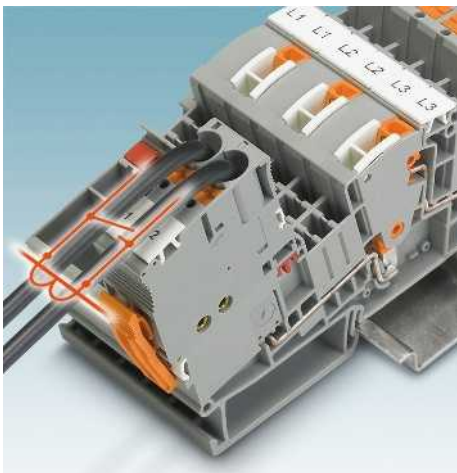
Safe and convenient

- The terminal block with patented short-circuit plug is particularly convenient and safe. If the connector is removed, an advanced short circuit occurs automatically.
- Connected current transformers are automatically protected against damage



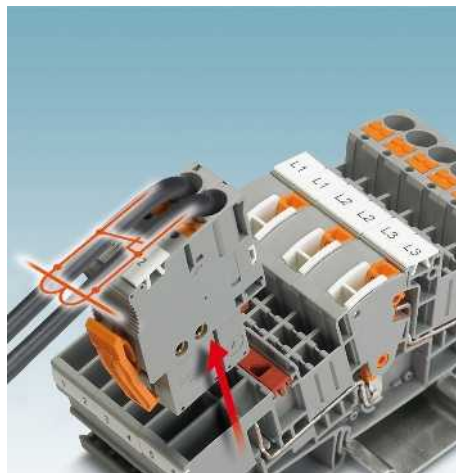
Easy and safe coding

- The short-circuit plugs are available in a 2 and 3-pos. version
- Both connector versions can be reliably protected against polarity reversal using a snap-in coding profile
- Strain relief and connector latching can be snapped on as an option



Function:

- Plug inserted - no short circuit, measuring circuit in operation



Function:

- Plug removed - automatic, leading short circuit of current transformer

Notes:

For current carrying capacity of DIN rails, see page 716.

¹⁾ The coding set can be used to code up to 30 plugs.

Dimensions

[mm]

Max. electrical data

Rated data

Rated voltage	[V]
Nominal current / cross section	[A] / [mm ²]
Rated cross section	[mm ²]
Cross section range	AWG

Connection capacity

1 conductor	[mm ²]
Two stranded conductors with a TWIN ferrule	[mm ²]
Direct plug-in connection cross sections	[mm ²]

General data

Stripping length	[mm]
Insulating material	
Inflammability class according to UL 94	

Description	No. of pos.	Color
Current transformer disconnect terminal block , for mounting on NS 35...		gray
Feed-through terminal block , for mounting on NS 35...		gray
Ground terminal block , for mounting on NS 35...		green-yellow

COMBI plug , with integrated short-circuit function, 2-pos.		gray
3-pos.		gray
Cover , width 2.2 mm		gray

Plug-in bridge	No. of pos.	Color
	2	red
	3	red
	4	red
	5	red
	10	red

Switching lock , plug-in		white
Connection bridge , for connecting two test disconnect terminal blocks		orange
3-pos.		orange
Test adapter , for 4-mm-Ø safety test plug, snapped into bridge shaft		orange

	yellow
	green
	violet
	black
	blue
	red
	gray
	brown
Coding set , for 2-pos. plugs ¹⁾	red
For 3-pos. plugs	red

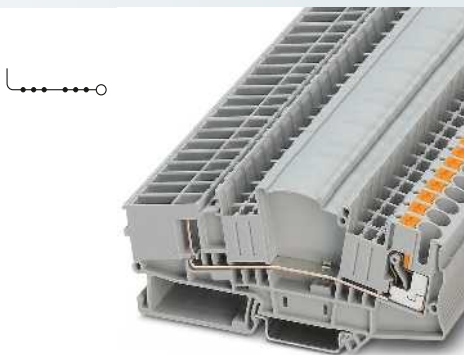
Screwdriver

Lateral groove labeling

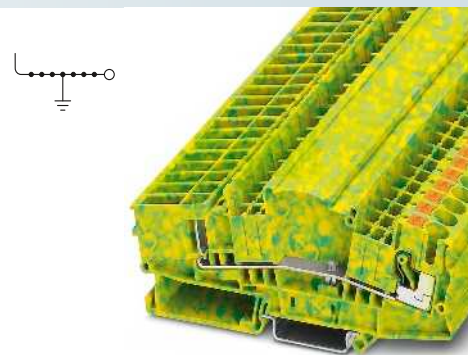
Center and lateral groove labeling



6 (10) mm², 30 A, current transformer disconnect terminal block, for short-circuit plug



6 (10) mm², 30 A, feed-through terminal block, for short-circuit plug



6 (10) mm², ground terminal block, same shape, for short-circuit plug



Technical data				
Width	Length	Height NS 35/7,5		
8.2	114.9	49.6		
I_{max} [A]	U_{max} [V]	max. Ø [mm ²]	AWG	
30	500	0.5 - 10	20 - 8	
IEC 61984				
IEC	UL/CUL	CSA	IEC/EN 60079-7	
500	300	-	-	
30/6	30/-	-	-	
6	-	-	-	
20-8	20-8	-	-	
solid	stranded	Ferrule		
Without / with plastic sleeve				
0.5 - 10	0.5 - 6	0.5 - 6	0.5 - 6	
			0.5 - 1.5	
1 - 10	-	1 - 6	1 - 6	
12				
PA				
V0				

Technical data				
Width	Length	Height NS 35/7,5		
8.2	114.9	49.6		
I_{max} [A]	U_{max} [V]	max. Ø [mm ²]	AWG	
30	500	0.5 - 10	20 - 8	
IEC 61984				
IEC	UL/CUL	CSA	IEC/EN 60079-7	
500	300	-	-	
30/6	30/-	-	-	
6	-	-	-	
20-8	20-8	-	-	
solid	stranded	Ferrule		
Without / with plastic sleeve				
0.5 - 10	0.5 - 6	0.5 - 6	0.5 - 6	
			0.5 - 1.5	
1 - 10	-	1 - 6	1 - 6	
12				
PA				
V0				

Technical data				
Width	Length	Height NS 35/7,5		
8.2	114.9	49.6		
I_{max} [A]	U_{max} [V]	max. Ø [mm ²]	AWG	
		0.5 - 10	20 - 8	
IEC 61984				
IEC	UL/CUL	CSA	IEC/EN 60079-7	
-	-	-	-	
-	-/-	-	-	
6	-	-	-	
20-8	20-8	-	-	
solid	stranded	Ferrule		
Without / with plastic sleeve				
0.5 - 10	0.5 - 6	0.5 - 6	0.5 - 6	
			0.5 - 1.5	
1 - 10	-	1 - 6	1 - 6	
12				
PA				
V0				

Ordering data			
Type	I_{max}	Order No.	Pcs. / Pkt.
PTME 6-CT/1P		3212300	50

Ordering data			
Type	I_{max}	Order No.	Pcs. / Pkt.
PTMED 6-CT/1P		3212301	50

Ordering data			
Type		Order No.	Pcs. / Pkt.
PTMED 6-CT/1P-PE		3212302	50

Accessories			
PPCT 6/2		3212304	10
PPCT 6/3		3212305	10
D-PTME 6-CT/1P		3212303	10
FBS 2-8	41 A	3030284	10
FBS 3-8	41 A	3030297	10
FBS 4-8	41 A	3030307	10
FBS 5-8	41 A	3030310	10
FBS 10-8	41 A	3030323	10
S-ME 6		3034439	10
C-ME 6/2		3034442	10
C-ME 6/3		3034390	50
PAI-4-FIX OG		3034455	10
PAI-4-FIX YE		3032745	10
PAI-4-FIX GN		3032758	10
PAI-4-FIX VT		3032761	10
PAI-4-FIX BK		3032774	10
PAI-4-FIX BU		3032729	10
PAI-4-FIX RD		3032732	10
PAI-4-FIX GY		3032790	10
PAI-4-FIX BN		3032787	10
PC-CT 6/2		3212308	1
PC-CT 6/3		3212309	1
SZF 2-0,8X4,0		1204520	10

Accessories			
PPCT 6/2		3212304	10
PPCT 6/3		3212305	10
D-PTME 6-CT/1P		3212303	10
FBS 2-8	41 A	3030284	10
FBS 3-8	41 A	3030297	10
FBS 4-8	41 A	3030307	10
FBS 5-8	41 A	3030310	10
FBS 10-8	41 A	3030323	10
PAI-4-FIX OG		3034455	10
PAI-4-FIX YE		3032745	10
PAI-4-FIX GN		3032758	10
PAI-4-FIX VT		3032761	10
PAI-4-FIX BK		3032774	10
PAI-4-FIX BU		3032729	10
PAI-4-FIX RD		3032732	10
PAI-4-FIX GY		3032790	10
PAI-4-FIX BN		3032787	10
PC-CT 6/2		3212308	1
PC-CT 6/3		3212309	1
SZF 2-0,8X4,0		1204520	10

Accessories			
PPCT 6/2		3212304	10
PPCT 6/3		3212305	10
D-PTME 6-CT/1P		3212303	10
FBS 2-8		3030284	10
FBS 3-8		3030297	10
FBS 4-8		3030307	10
FBS 5-8		3030310	10
FBS 10-8		3030323	10
PAI-4-FIX OG		3034455	10
PAI-4-FIX YE		3032745	10
PAI-4-FIX GN		3032758	10
PAI-4-FIX VT		3032761	10
PAI-4-FIX BK		3032774	10
PAI-4-FIX BU		3032729	10
PAI-4-FIX RD		3032732	10
PAI-4-FIX GY		3032790	10
PAI-4-FIX BN		3032787	10
PC-CT 6/2		3212308	1
PC-CT 6/3		3212309	1
SZF 2-0,8X4,0		1204520	10

UC-TM 8, UCT-TM 8 or ZB 8

(see Catalog 5)

UC-TMF 8, UCT-TMF 8 or ZBF 8

(see Catalog 5)

UC-TM 8, UCT-TM 8 or ZB 8

(see Catalog 5)

UC-TMF 8, UCT-TMF 8 or ZBF 8

(see Catalog 5)

UC-TM 8, UCT-TM 8 or ZB 8

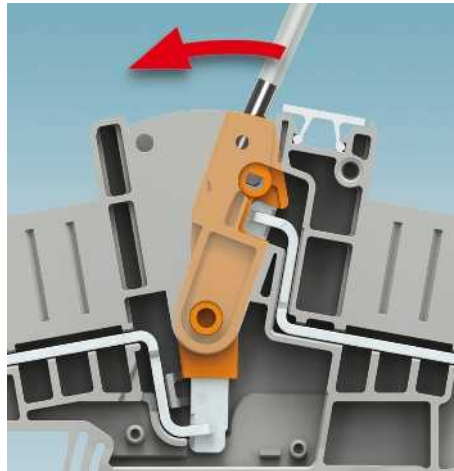
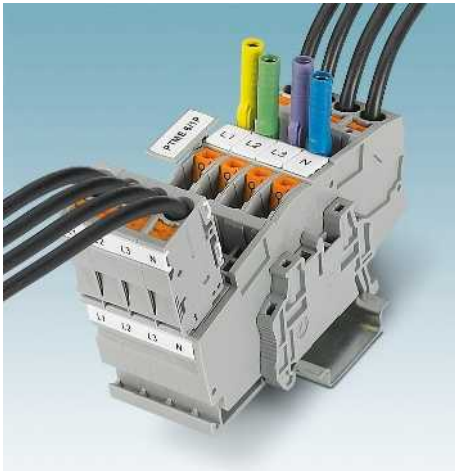
(see Catalog 5)

UC-TMF 8, UCT-TMF 8 or ZBF 8

(see Catalog 5)

COMBI plug-in connection solutions

PTME 6/1P COMBI plug-in push-in test disconnect terminal block



The plug-in test disconnect terminal blocks offer all the advantages of the COMBI modular terminal block system and also offer the following features:

- Switching states can be clearly identified by means of printed symbols
- Switching jumpers can be positioned on both sides of the disconnect point in the triple function shaft and safely latched into place.
- The COMBI system offers the highest levels of protection for users, as both the basic terminal blocks and the plugs are touch proof. Alongside the safety aspect, this offers great flexibility for configuration work: the supply may be routed via the terminal blocks or the plugs
- Thanks to the straightforward, custom coding option, wiring reliability is increased and incorrect connections are avoided
- Strain relief can be snapped on
- Latching fixes connectors to basic terminal blocks

Section disconnection

- Screwless longitudinal isolating switch safely latches in the relevant switch position

Switching jumpers

- SB-ME ... switching jumpers can be positioned and latched on both sides of the disconnect point in the bridge shaft
- Reliably snapped into the end positions
- Contact made via screw terminal points

Notes:
For pre-assembled jumpers, see www.phoenixcontact.net/products
¹⁾ For derating curve, visit www.phoenixcontact.net/products

Dimensions	[mm]
Max. electrical data	

Rated data	[V]
Rated voltage	
Nominal current / cross section	[A] / [mm ²]
Rated cross section	[mm ²]
Cross section range	AWG
Connection capacity	
1 conductor	[mm ²]
Two stranded conductors with a TWIN ferrule	[mm ²]
Direct plug-in connection cross sections	[mm ²]
General data	
Stripping length	[mm]
Insulating material	
Inflammability class according to UL 94	

Description	No. of pos.	Color
Terminal block , for mounting on NS 35...		gray

Cover, width 2.2 mm	gray
Switching jumper , plug-in	

	2	gray/orange
	3	gray/orange
	4	gray/orange

Plug-in bridge		
	2	red
	3	red
	4	red
	5	red
	10	red

Switching lock , plug-in	white
Connection bridge , for connecting two test disconnect terminal blocks	orange
3-pos.	orange
Test adapter , for 4-mm-Ø safety test plug, snapped into bridge shaft	orange

	yellow
	green
	violet
	black
	blue
	red
	gray
	brown
Coding star , with 4 coding branches, can be inserted in all basic terminal blocks	red
Partition plate , with storage option for switching jumpers	gray

Screwdriver
Lateral groove labeling
Center and lateral groove labeling



6 (10) mm², 30 A, test disconnect terminal block



Technical data

Width	Length	Height NS 35/7,5	
8.2	99.4	49.6	
I_{max} [A]	U_{max} [V]	max. Ø [mm ²]	AWG
30*)	500	0.5 - 10	20 - 8
IEC 61984			
IEC	UL/CUL	CSA	IEC/ EN 60079-7
500	300	-	-
30*) / 6	30 / -	-	-
6	-	-	-
20 - 8	20-8	-	-
solid	stranded	Ferrule	
		Without / with plastic sleeve	
0.5 - 10	0.5 - 6	0.5 - 6	0.5 - 6 0.5 - 1.5
1 - 10	-	1 - 6	1 - 6
12			
PA			
V0			

Ordering data

Type	I_{max}	Order No.	Pcs. / Pkt.
PTME 6/1P		3212306	50

Accessories

D-PTME 6/1P		3212307	10
SB-ME 2-8	30 A	3034468	10
SB-ME 3-8	30 A	3032800	10
SB-ME 4-8	30 A	3034484	10
FBS 2-8	41 A	3030284	10
FBS 3-8	41 A	3030297	10
FBS 4-8	41 A	3030307	10
FBS 5-8	41 A	3030310	10
FBS 10-8	41 A	3030323	10
S-ME 6		3034439	10
C-ME 6/2		3034442	10
C-ME 6/3		3034390	50
PAI-4-FIX OG		3034455	10
PAI-4-FIX YE		3032745	10
PAI-4-FIX GN		3032758	10
PAI-4-FIX VT		3032761	10
PAI-4-FIX BK		3032774	10
PAI-4-FIX BU		3032729	10
PAI-4-FIX RD		3032732	10
PAI-4-FIX GY		3032790	10
PAI-4-FIX BN		3032787	10
PC		3040588	50
CARRIER 35-8		3034387	10
SZF 2-0,8X4,0		1204520	10

UC-TM 8, UCT-TM 8 or ZB 8
(see Catalog 5)
UC-TMF 8, UCT-TMF 8 or ZBF 8
(see Catalog 5)

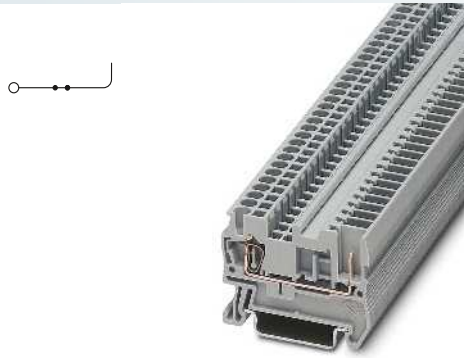
Modular terminal blocks - CLIPLINE complete

COMBI plug-in connection solutions

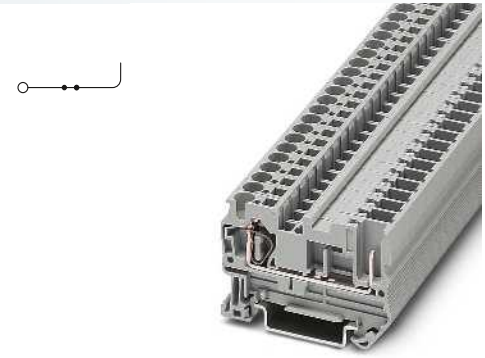
Feed-through terminal blocks with spring-cage connection ST-COMBI

– The plug-in ST-COMBI spring-cage terminal block series combines the system advantages of the ST standard terminal block series with those of the COMBI plug-in system

Notes:
 1) For derating curve, visit www.phoenixcontact.net/products
 2) The total current of all connected conductors must not exceed the maximum load current. For the derating curve, visit www.phoenixcontact.net/products.



2.5 (4) mm², 24 A, feed-through terminal block



4 (6) mm², 32 A, feed-through terminal block



Dimensions		[mm]
Max. electrical data		
Rated voltage	[V]	500
Nominal current / cross section	[A] / [mm ²]	24 ¹⁾ / 2.5
Rated cross section	[mm ²]	2.5
Cross section range	AWG	28 - 12
Connection capacity		
1 conductor	[mm ²]	0.08 - 4
Two stranded conductors with a TWIN ferrule	[mm ²]	0.08 - 2.5
General data		
Stripping length	[mm]	10
Insulating material		PA
Inflammability class according to UL 94		V0

Technical data				
Width	Length	Height NS 35/7,5		
5.2	48.5	36.5		
I _{max} [A]	U _{max} [V]	max. Ø [mm ²]	AWG	
24 ¹⁾	500	0.08 - 4	28 - 12	
IEC 61984				
IEC	UL/CUL	CSA	IEC/EN 60079-7	
500	600	300	-	
24 ¹⁾ / 2.5	20 / -	20 / -	-	
2.5	-	-	-	
28 - 12	28-12	24-12	-	
Ferrule				
solid	stranded	Without / with plastic sleeve		
0.08 - 4	0.08 - 2.5	0.14 - 2.5	0.14 - 2.5	
10				
PA				
V0				

Technical data				
Width	Length	Height NS 35/7,5		
6.2	55.8	36.5		
I _{max} [A]	U _{max} [V]	max. Ø [mm ²]	AWG	
32 ¹⁾	800	0.08 - 6	28 - 10	
IEC 61984				
IEC	UL/CUL	CSA	IEC/EN 60079-7	
800	600	300	-	
32 ¹⁾ / 4	30 / -	30 / -	-	
4	-	-	-	
28 - 10	28-10	28-10	-	
Ferrule				
solid	stranded	Without / with plastic sleeve		
0.08 - 6	0.08 - 4	0.14 - 4	0.14 - 4	
10				
PA				
V0				

Description	No. of pos.	Color
Terminal block, for mounting on NS 35...		gray blue

Ordering data			
Type	I _{max}	Order No.	Pcs. / Pkt.
ST 2,5/ 1P		3040012	50
ST 2,5/ 1P BU		3040656	50

Ordering data			
Type	I _{max}	Order No.	Pcs. / Pkt.
ST 4/ 1P		3042719	50
ST 4/ 1P BU		3042874	50

Accessories		
Cover, width 2.2 mm	gray	
Cover, 0.8 mm width	orange	
End cover segment, for covering multi-conductor terminal blocks when two-conductor terminal blocks are aligned	gray	
Insulation stop sleeve, cross section range:		
0.08 - 0.2 mm ²	white	
0.25 - 0.5 mm ²	gray	
0.75 - 1 mm ²	black	
Plug-in bridge		
	2	red
	3	red
	4	red
	5	red
	10	red
	20	red
Partition plate, 2 mm width	gray	
Screw flange, for ST-COMBI terminal blocks, when using UPBV 2,5..., SP...2,5... or PP-H 2,5 plugs for ST 2,5/1P, ST 2,5/1P-PE, PT 2,5/1P, PT 2,5/1P-PE	gray	
Test plug metal part, 2.3 mm Ø		
Insulating sleeve, for MPS metal part	red	
Modular test plug, for the individual assembly of test plug strips	red	
Warning cover, for actuation shafts, 5-pos.	yellow	
Coding star, with 4 coding branches, can be inserted in all basic terminal blocks	red	
Screwdriver		

Accessories			
Type	I _{max}	Order No.	Pcs. / Pkt.
D-ST 2,5		3030417	50
D-ST 2,5-0,8 OG		3030511	50
ISH 2,5/0,2			
		3002843	50
ISH 2,5/0,5			
		3002856	50
ISH 2,5/1,0			
		3002869	50
FBS 2-5			
	24 A	3030161	50
FBS 3-5			
	24 A	3030174	50
FBS 4-5			
	24 A	3030187	50
FBS 5-5			
	24 A	3030190	50
FBS 10-5			
	24 A	3030213	10
FBS 20-5			
	24 A	3030226	10
ATP-ST 4			
		3030721	50
ST 2,5/1P-F			
		3209837	50
MPS-MT			
		0201744	10
MPS-IH RD			
		0201676	10
PS-5			
		3030983	10
WST 2,5			
		3030941	50
PC			
		3040588	50
SZF 1-0,6X3,5			
		1204517	10

Accessories			
Type	I _{max}	Order No.	Pcs. / Pkt.
D-ST 4		3030420	50
ISH 4/0,5			
		3002885	50
ISH 4/1,0			
		3002898	50
FBS 2-6			
	32 A	3030336	50
FBS 3-6			
	32 A	3030242	50
FBS 4-6			
	32 A	3030255	50
FBS 5-6			
	32 A	3030349	50
FBS 10-6			
	32 A	3030271	10
FBS 20-6			
	32 A	3030365	10
ATP-ST 4			
		3030721	50
MPS-MT			
		0201744	10
MPS-IH RD			
		0201676	10
PS-6			
		3030996	10
WST 4			
		3030954	50
PC			
		3040588	50
SZF 1-0,6X3,5			
		1204517	10

Center groove labeling
UC-TM 5, UCT-TM 5 or ZB 5 (see Catalog 5)
UC-TMF 5, UCT-TMF 5 or ZBF 5 (see Catalog 5)

Center and lateral groove labeling
UC-TM 5, UCT-TM 5 or ZB 5 (see Catalog 5)
UC-TMF 5, UCT-TMF 5 or ZBF 5 (see Catalog 5)

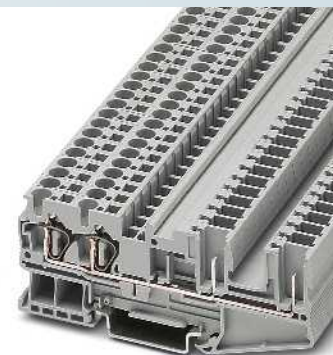
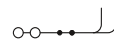
Center groove labeling
UC-TM 6, UCT-TM 6 or ZB 6 (see Catalog 5)
UC-TMF 6, UCT-TMF 6 or ZBF 6 (see Catalog 5)



2.5 (4) mm², 24 A, feed-through terminal block, 3 connections



2.5 (4) mm², 24 A, feed-through terminal block, 4 connections



4 (6) mm², 32 A, feed-through terminal block, 4 connections



Technical data			
Width	Length	Height NS 35/7,5	
5.2	60.5	36.5	
I_{max} [A]	U_{max} [V]	max. Ø [mm ²]	AWG
24 ²)	500	0.08 - 4	28 - 12
IEC 61984			
IEC	UL/CUL	CSA	IEC/EN 60079-7
500	600	600	-
24 ²) / 2.5	20 / -	20 / -	-
2.5	-	-	-
28 - 12	28-12	28-12	-
solid	stranded	Ferrule	
Without / with plastic sleeve			
0.08 - 4	0.08 - 2.5	0.14 - 2.5	0.14 - 2.5
0.5			
10	PA	V0	

Technical data			
Width	Length	Height NS 35/7,5	
5.2	81	36.5	
I_{max} [A]	U_{max} [V]	max. Ø [mm ²]	AWG
24 ²)	500	0.08 - 4	28 - 12
IEC 61984			
IEC	UL/CUL	CSA	IEC/EN 60079-7
500	600	300	-
24 ²) / 2.5	20 / -	20 / -	-
2.5	-	-	-
28 - 12	28-12	24-12	-
solid	stranded	Ferrule	
Without / with plastic sleeve			
0.08 - 4	0.08 - 2.5	0.14 - 2.5	0.14 - 2.5
0.5			
10	PA	V0	

Technical data			
Width	Length	Height NS 35/7,5	
6.2	97.3	36.5	
I_{max} [A]	U_{max} [V]	max. Ø [mm ²]	AWG
32 ²)	800	0.08 - 6	28 - 10
IEC 61984			
IEC	UL/CUL	CSA	IEC/EN 60079-7
800	600	600	-
32 ²) / 4	30 / -	30 / -	-
4	-	-	-
28 - 10	28-10	28-10	-
solid	stranded	Ferrule	
Without / with plastic sleeve			
0.08 - 6	0.08 - 4	0.14 - 4	0.14 - 4
0.5 - 1			
10	PA	V0	

Ordering data			
Type	I_{max}	Order No.	Pcs. / Pkt.
ST 2,5-TWIN/ 1P		3042117	50
ST 2,5-TWIN/ 1P BU		3042104	50

Ordering data			
Type	I_{max}	Order No.	Pcs. / Pkt.
ST 2,5-QUATTRO/2P		3040038	50
ST 2,5-QUATTRO/2P BU		3040669	50

Ordering data			
Type	I_{max}	Order No.	Pcs. / Pkt.
ST 4-QUATTRO/2P		3042845	50
ST 4-QUATTRO/2P BU		3042861	50

Accessories			
D-ST 2,5-TWIN		3030488	50
D-ST 2,5-TWIN-0,8 OG		3030512	50
DS-ST 2,5		3036602	10
ISH 2,5/0,2		3002843	50
ISH 2,5/0,5		3002856	50
ISH 2,5/1,0		3002869	50
FBS 2-5	24 A	3030161	50
FBS 3-5	24 A	3030174	50
FBS 4-5	24 A	3030187	50
FBS 5-5	24 A	3030190	50
FBS 10-5	24 A	3030213	10
FBS 20-5	24 A	3030226	10
ATP-ST-TWIN		3030789	50
ST 2,5-TWIN/1P-F		3209840	50
MPS-MT		0201744	10
MPS-IH RD		0201676	10
PS-5		3030983	10
WST 2,5		3030941	50
PC		3040588	50
SZF 1-0,6X3,5		1204517	10

Accessories			
D-ST 2,5-QUATTRO/ 2P		3040083	50
DS-ST 2,5/P		3041011	50
ISH 2,5/0,2		3002843	50
ISH 2,5/0,5		3002856	50
ISH 2,5/1,0		3002869	50
FBS 2-5	24 A	3030161	50
FBS 3-5	24 A	3030174	50
FBS 4-5	24 A	3030187	50
FBS 5-5	24 A	3030190	50
FBS 10-5	24 A	3030213	10
FBS 20-5	24 A	3030226	10
ATP-ST QUATTRO		3030815	50
ST 2,5-QUATTRO/2P-F		3209853	50
MPS-MT		0201744	10
MPS-IH RD		0201676	10
PS-5		3030983	10
WST 2,5		3030941	50
PC		3040588	50
SZF 1-0,6X3,5		1204517	10

Accessories			
D-ST 4-QUATTRO/2P		3043747	50
DS-ST 4/P		3043750	50
ISH 4/0,5		3002885	50
ISH 4/1,0		3002898	50
FBS 2-6	32 A	3030336	50
FBS 3-6	32 A	3030242	50
FBS 4-6	32 A	3030255	50
FBS 5-6	32 A	3030349	50
FBS 10-6	32 A	3030271	10
FBS 20-6	32 A	3030365	10
ATP-ST QUATTRO		3030815	50
MPS-MT		0201744	10
MPS-IH RD		0201676	10
PS-6		3030996	10
WST 4		3030954	50
PC		3040588	50
SZF 1-0,6X3,5		1204517	10

UC-TM 5, UCT-TM 5 or ZB 5
(see Catalog 5)
UC-TMF 5, UCT-TMF 5 or ZBF 5
(see Catalog 5)

UC-TM 5, UCT-TM 5 or ZB 5
(see Catalog 5)
UC-TMF 5, UCT-TMF 5 or ZBF 5
(see Catalog 5)

UC-TM 6, UCT-TM 6 or ZB 6
(see Catalog 5)
UC-TMF 6, UCT-TMF 6 or ZBF 6
(see Catalog 5)

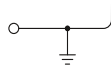
Modular terminal blocks - CLIPLINE complete

COMBI plug-in connection solutions

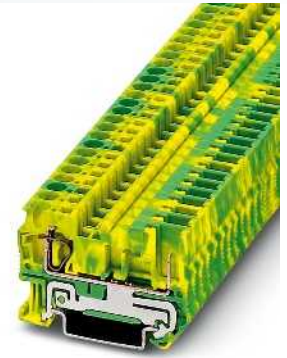
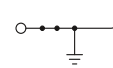
ST-COMBI ground terminal blocks with spring-cage connection

- Same shape and pitch as the basic terminal blocks
- Contact is made free from mechanical and electrical errors by simply snapping onto the DIN rail
- All the requirements of standard IEC 60947-7-2 are met

Notes:
For current carrying capacity of DIN rails, see page 716.



2.5 (4) mm², ground terminal block



4 (6) mm², ground terminal block



Dimensions		[mm]
Max. electrical data		
Rated data		
Rated voltage	[V]	-
Nominal current / cross section	[A] / [mm ²]	- / -
Rated cross section	[mm ²]	2.5
Cross section range	AWG	28 - 12
Connection capacity		
1 conductor	[mm ²]	0.08 - 4
Two stranded conductors with a TWIN ferrule	[mm ²]	0.08 - 2.5
General data		
Stripping length	[mm]	10
Insulating material		PA
Inflammability class according to UL 94		V0

Technical data				
Width	Length	Height NS 35/7,5		
5.2	48.5	36.5		
		max. Ø [mm ²]	AWG	
		0.08 - 4	28 - 12	
IEC 61984				
IEC	UL/CUL	CSA	IEC/EN 60079-7	
IEC 61984				
IEC	UL/CUL	CSA	IEC/EN 60079-7	
Connection capacity				
		Ferrule		
		Without / with plastic sleeve		
0.08 - 4	0.08 - 2.5	0.14 - 2.5	0.14 - 2.5	
General data				
		Ferrule		
		Without / with plastic sleeve		
0.08 - 4	0.08 - 4	0.14 - 4	0.14 - 4	
Stripping length				
		Without / with plastic sleeve		
10	0.08 - 4	0.14 - 4	0.5 - 1	

Description	No. of pos.	Color
Ground terminal block, for mounting on NS 35...		green-yellow

Ordering data		
Type	Order No.	Pcs. / Pkt.
ST 2,5/ 1P-PE	3040025	50

Ordering data		
Type	Order No.	Pcs. / Pkt.
ST 4/ 1P-PE	3042722	50

Accessories		
Cover, width 2.2 mm	gray	
Cover, 0.8 mm width	orange	
End cover segment, for covering multi-conductor terminal blocks when two-conductor terminal blocks are aligned	gray	
Insulation stop sleeve, cross section range:		
0.08 - 0.2 mm ²	white	
0.25 - 0.5 mm ²	gray	
0.75 - 1 mm ²	black	
Plug-in bridge		
	2	red
	3	red
	4	red
	5	red
	10	red
	20	red
Partition plate, 2 mm width	gray	
Screw flange, for ST-COMBI terminal blocks, when using UPBV 2,5..., SP...2,5... or PP-H 2,5 plugs for ST 2,5/1P, ST 2,5/1P-PE, PT 2,5/1P, PT 2,5/1P-PE	gray	
Test plug metal part, 2.3 mm Ø		
Insulating sleeve, for MPS metal part	red	
Modular test plug, for the individual assembly of test plug strips	red	
Warning cover, for actuation shafts, 5-pos.	yellow	
Coding star, with 4 coding branches, can be inserted in all basic terminal blocks	red	
Screwdriver		

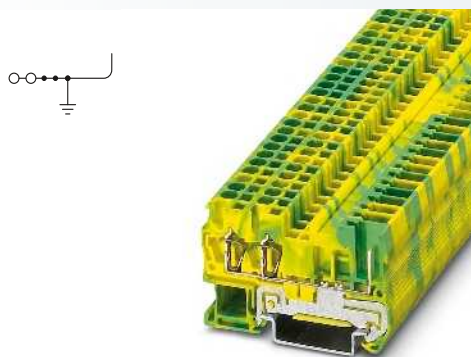
Accessories		
D-ST 2,5	3030417	50
D-ST 2,5-0,8 OG	3030511	50
ISH 2,5/0,2	3002843	50
ISH 2,5/0,5	3002856	50
ISH 2,5/1,0	3002869	50
ATP-ST 4	3030721	50
ST 2,5/1P-F	3209837	50
WST 2,5	3030941	50
PC	3040588	50
SZF 1-0,6X3,5	1204517	10

Accessories		
D-ST 4	3030420	50
ISH 4/0,5	3002885	50
ISH 4/1,0	3002898	50
FBS 2-6	3030336	50
FBS 3-6	3030242	50
FBS 4-6	3030255	50
FBS 5-6	3030349	50
FBS 10-6	3030271	10
FBS 20-6	3030365	10
ATP-ST 4	3030721	50
MPS-MT	0201744	10
MPS-IH RD	0201676	10
PS-6	3030996	10
WST 4	3030954	50
PC	3040588	50
SZF 1-0,6X3,5	1204517	10

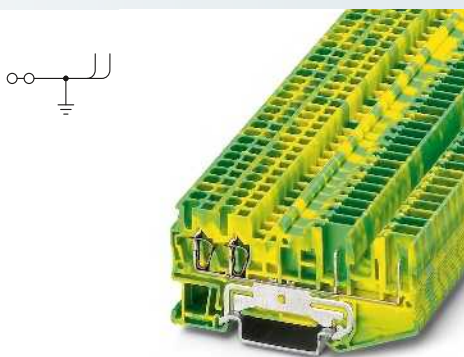
Center groove labeling	UC-TM 5, UCT-TM 5 or ZB 5 (see Catalog 5)
Center and lateral groove labeling	UC-TMF 5, UCT-TMF 5 or ZBF 5 (see Catalog 5)

Center groove labeling	UC-TM 6, UCT-TM 6 or ZB 6 (see Catalog 5)
Center and lateral groove labeling	UC-TMF 6, UCT-TMF 6 or ZBF 6 (see Catalog 5)

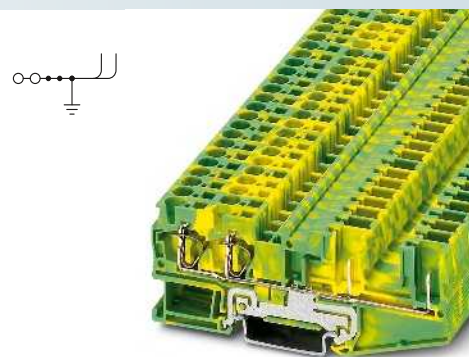
Center groove labeling	UC-TM 6, UCT-TM 6 or ZB 6 (see Catalog 5)
Center and lateral groove labeling	UC-TMF 6, UCT-TMF 6 or ZBF 6 (see Catalog 5)



2.5 (4) mm², ground terminal block,
3 connections



2.5 (4) mm², ground terminal block,
4 connections



4 (6) mm², ground terminal block,
4 connections



Technical data			
Width	Length	Height NS 35/7,5	
5.2	60.5	36.5	
		max. Ø [mm ²]	AWG
		0.08 - 4	28 - 12
IEC 61984			
IEC	UL/CUL	CSA	IEC/ EN 60079-7
-	-	-	-
-	-/-	-	-
2.5	-	-	-
28 - 12	28-12	28-12	-
solid	stranded	Ferrule Without / with plastic sleeve	
0.08 - 4	0.08 - 2.5	0.14 - 2.5	0.14 - 2.5 0.5
10	PA	V0	

Technical data			
Width	Length	Height NS 35/7,5	
5.2	81	36.5	
		max. Ø [mm ²]	AWG
		0.08 - 4	28 - 12
IEC 61984			
IEC	UL/CUL	CSA	IEC/ EN 60079-7
-	-	-	-
-	-/-	-	-
2.5	-	-	-
28 - 12	28-12	28-12	-
solid	stranded	Ferrule Without / with plastic sleeve	
0.08 - 4	0.08 - 2.5	0.14 - 2.5	0.14 - 2.5 0.5
10	PA	V0	

Technical data			
Width	Length	Height NS 35/7,5	
6.2	97.3	36.5	
		max. Ø [mm ²]	AWG
		0.08 - 6	28 - 10
IEC 61984			
IEC	UL/CUL	CSA	IEC/ EN 60079-7
-	-	-	-
-	-/-	-	-
4	-	-	-
28 - 10	28-10	28-10	-
solid	stranded	Ferrule Without / with plastic sleeve	
0.08 - 6	0.08 - 4	0.14 - 4	0.14 - 4 0.5 - 1
10	PA	V0	

Ordering data		
Type	Order No.	Pcs. / Pkt.
ST 2,5-TWIN/ 1P-PE	3042120	50

Ordering data		
Type	Order No.	Pcs. / Pkt.
ST 2,5-QUATTRO/2P-PE	3040041	50

Ordering data		
Type	Order No.	Pcs. / Pkt.
ST 4-QUATTRO/2P-PE	3042858	50

Accessories		
D-ST 2,5-TWIN	3030488	50
D-ST 2,5-TWIN-0,8 OG	3030512	50
DS-ST 2,5	3036602	10
ISH 2,5/0,2	3002843	50
ISH 2,5/0,5	3002856	50
ISH 2,5/1,0	3002869	50
FBS 2-5	3030161	50
FBS 3-5	3030174	50
FBS 4-5	3030187	50
FBS 5-5	3030190	50
FBS 10-5	3030213	10
FBS 20-5	3030226	10
ATP-ST-TWIN	3030789	50
ST 2,5-TWIN/1P-F	3209840	50
MPS-MT	0201744	10
MPS-IH RD	0201676	10
PS-5	3030983	10
WST 2,5	3030941	50
PC	3040588	50
SZF 1-0,6X3,5	1204517	10

Accessories		
D-ST 2,5-QUATTRO/ 2P	3040083	50
DS-ST 2,5/P	3041011	50
ISH 2,5/0,2	3002843	50
ISH 2,5/0,5	3002856	50
ISH 2,5/1,0	3002869	50
ATP-ST QUATTRO	3030815	50
ST 2,5-QUATTRO/2P-F	3209853	50
WST 2,5	3030941	50
PC	3040588	50
SZF 1-0,6X3,5	1204517	10

Accessories		
D-ST 4-QUATTRO/2P	3043747	50
DS-ST 4/P	3043750	50
ISH 4/0,5	3002885	50
ISH 4/1,0	3002898	50
FBS 2-6	3030336	50
FBS 3-6	3030242	50
FBS 4-6	3030255	50
FBS 5-6	3030349	50
FBS 10-6	3030271	10
FBS 20-6	3030365	10
ATP-ST QUATTRO	3030815	50
MPS-MT	0201744	10
MPS-IH RD	0201676	10
PS-6	3030996	10
WST 4	3030954	50
PC	3040588	50
SZF 1-0,6X3,5	1204517	10

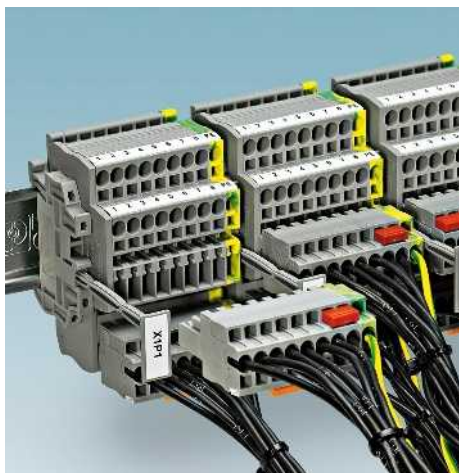
UC-TM 5, UCT-TM 5 or ZB 5
(see Catalog 5)
UC-TMF 5, UCT-TMF 5 or ZBF 5
(see Catalog 5)

UC-TM 5, UCT-TM 5 or ZB 5
(see Catalog 5)
UC-TMF 5, UCT-TMF 5 or ZBF 5
(see Catalog 5)

UC-TM 6, UCT-TM 6 or ZB 6
(see Catalog 5)
UC-TMF 6, UCT-TMF 6 or ZBF 6
(see Catalog 5)

COMBI plug-in connection solutions

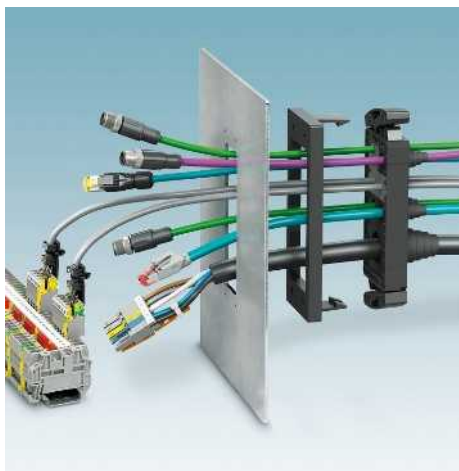
ST-COMBI double-level terminal blocks with spring-cage connection



- Potential managed on two levels
- Amount of space required is reduced by 50% compared to single-level terminal blocks
- Separate potentials can be used as there are bridge shafts on each level
- Cross connection to any number of terminal blocks with the FBS ... continuous plug-in bridge system
- Replacement, e.g., for supply with heavy-duty plug-in connectors in the control cabinet

Cable entry system

- The CES cable entry system (see Catalog 4) enables the easy and space-saving installation of pre-assembled cables with IP54/IP65 protection in the control cabinet, see figure below



Notes:
For current carrying capacity of DIN rails, see page 716.
1) The total current of all connected conductors must not exceed the max. load current.
2) For derating curve, visit www.phoenixcontact.net/products



2.5 (4) mm², 22 A, feed-through terminal block



Dimensions		[mm]	
Max. electrical data			
Rated data			
Rated voltage	[V]	500	600
Nominal current / cross section	[A] / [mm ²]	22 ² / 2.5	20 / -
Rated cross section	[mm ²]	2.5	-
Cross section range	AWG	28 - 12	28-12
Connection capacity			
1 conductor	[mm ²]	0.08 - 4	0.08 - 2.5
Two stranded conductors with a TWIN ferrule	[mm ²]		0.14 - 2.5
General data			
Stripping length	[mm]	10	
Insulating material		PA	
Inflammability class according to UL 94		V0	

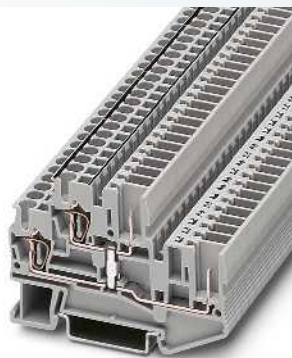
Technical data				
Width	Length	Height NS 35/7,5		
5.2	71.5	47.5		
I _{max} [A]	U _{max} [V]	max. Ø [mm ²]	AWG	
22 ²	500	0.08 - 4	28 - 12	
IEC 61984				
IEC	UL/CUL	CSA	IEC/EN 60079-7	
Ferrule				
Without / with plastic sleeve				
0.08 - 4	0.08 - 2.5	0.14 - 2.5	0.14 - 2.5	
0.5				

Description	No. of pos.	Color
Terminal block , for mounting on NS 35...		gray
With marking groove on the plug-in side		blue
		gray
		blue
Terminal block , with equipotential bonder, for mounting on NS 35...		gray
With marking groove on the plug-in side		blue
		gray
Ground terminal block , for mounting on NS 35...		green-yellow
With marking groove on the plug-in side		green/yellow

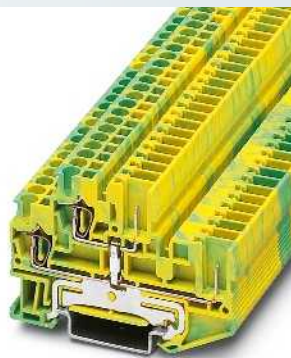
Ordering data			
Type	I _{max}	Order No.	Pcs. / Pkt.
STTB 2,5/2P		3040054	50
STTB 2,5/2P BU		3040672	50
STTB 2,5/2P SO		3040892	50
STTB 2,5/2P BU SO		3040902	50

Cover , width 2.2 mm	gray
Insulation stop sleeve , cross section range:	
0.08 - 0.2 mm ²	white
0.25 - 0.5 mm ²	gray
0.75 - 1 mm ²	black
Plug-in bridge	
	2 red
	3 red
	4 red
	5 red
	10 red
	20 red
Partition plate , 2 mm width	gray
Screw flange	gray
Modular test plug , for the individual assembly of test plug strips	red
Warning cover , for actuation shafts, 5-pos.	yellow
Coding star , with 4 coding branches, can be inserted in all basic terminal blocks	red
Screwdriver	
Lateral groove labeling	

Accessories			
Type	I _{max}	Order No.	Pcs. / Pkt.
D-STTB 2,5/ 2P		3040096	50
ISH 2,5/0,2		3002843	50
ISH 2,5/0,5		3002856	50
ISH 2,5/1,0		3002869	50
FBS 2-5	24 A	3030161	50
FBS 3-5	24 A	3030174	50
FBS 4-5	24 A	3030187	50
FBS 5-5	24 A	3030190	50
FBS 10-5	24 A	3030213	10
FBS 20-5	24 A	3030226	10
ATP-STTB 4		3030747	50
STTB 2,5/2P-F		3061169	50
PS-5		3030983	10
WST 2,5		3030941	50
PC		3040588	50
SZF 1-0,6X3,5		1204517	10
UC-TMF 5, UCT-TMF 5 or ZBF 5 (see Catalog 5)			



2.5 (4) mm², 22 A, double-level terminal block, internally connected levels



2.5 (4) mm², double-level ground terminal block



Technical data			
Width	Length	Height NS 35/7,5	
5.2	71.5	47.5	
I_{max} [A]	U_{max} [V]	max. Ø [mm ²]	AWG
22*)	500	0.08 - 4	28 - 12
IEC 61984			
IEC	UL/CUL	CSA	IEC/EN 60079-7
500	600	600	-
22 ²) / 2.5	20 / -	20 / -	-
2.5	-	-	-
28 - 12	28-12	24-12	-
solid	stranded	Ferrule	
Without / with plastic sleeve			
0.08 - 4	0.08 - 2.5	0.14 - 2.5	0.14 - 2.5
0.5			
10	PA	V0	

Technical data			
Width	Length	Height NS 35/7,5	
5.2	71.5	47.5	
I_{max} [A]	U_{max} [V]	max. Ø [mm ²]	AWG
22*)	500	0.08 - 4	28 - 12
IEC 61984			
IEC	UL/CUL	CSA	IEC/EN 60079-7
-	-	-	-
-	- / -	-	-
2.5	-	-	-
28 - 12	28-12	28-12	-
solid	stranded	Ferrule	
Without / with plastic sleeve			
0.08 - 4	0.08 - 2.5	0.14 - 2.5	0.14 - 2.5
0.5			
10	PA	V0	

Ordering data			
Type	I_{max}	Order No.	Pcs. / Pkt.
STTB 2,5/2P-PV		3040070	50
STTB 2,5/2P-PV BU		3040685	50
STTB 2,5/2P-PV SO		3040928	50

Ordering data			
Type		Order No.	Pcs. / Pkt.
STTB 2,5/2P-PE		3040067	50
STTB 2,5/2P-PE SO		3040915	50

Accessories			
D-STTB 2,5/ 2P		3040096	50
ISH 2,5/0,2		3002843	50
ISH 2,5/0,5		3002856	50
ISH 2,5/1,0		3002869	50
FBS 2-5	24 A	3030161	50
FBS 3-5	24 A	3030174	50
FBS 4-5	24 A	3030187	50
FBS 5-5	24 A	3030190	50
FBS 10-5	24 A	3030213	10
FBS 20-5	24 A	3030226	10
ATP-STTB 4		3030747	50
STTB 2,5/2P-F		3061169	50
PS-5		3030983	10
WST 2,5		3030941	50
PC		3040588	50
SZF 1-0,6X3,5		1204517	10

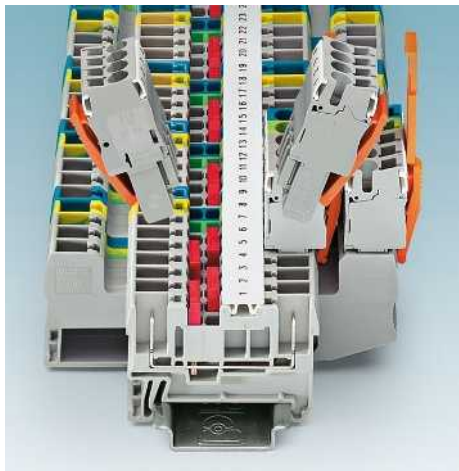
Accessories			
D-STTB 2,5/ 2P		3040096	50
ISH 2,5/0,2		3002843	50
ISH 2,5/0,5		3002856	50
ISH 2,5/1,0		3002869	50
ATP-STTB 4		3030747	50
STTB 2,5/2P-F		3061169	50
WST 2,5		3030941	50
PC		3040588	50
SZF 1-0,6X3,5		1204517	10

UC-TMF 5, UCT-TMF 5 or ZBF 5 (see Catalog 5)

UC-TMF 5, UCT-TMF 5 or ZBF 5 (see Catalog 5)

COMBI plug-in connection solutions

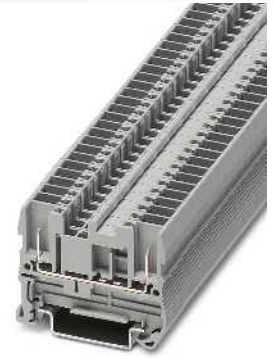
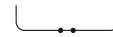
COMBI plug-in PIN/PIN feed-through and double-level terminal blocks



- For the PIN/PIN versions of the COMBI series, plugs can be used on both sides of the terminal blocks
- This makes the COMBI system even more flexible as the terminal blocks are used as the connection element for modules
- Connection with standard COMBI plugs
- The extensive range of accessories, such as latching, strain relief, coding, and shield connection can be used
- Ground terminal blocks of the same shape and pitch
- Contact is made free from mechanical and electrical errors by simply snapping onto the DIN rail
- All the requirements of standard IEC 60947-7-2 are met

CLIP PROJECT Planning enables the quick and convenient planning and configuration of fault-free terminal strips.

Notes:
For other accessories, see page 428.
1) The total current of all connected conductors must not exceed the max. load current.
2) For derating curve, visit www.phoenixcontact.net/products



2.5 (4) mm², 24 A, feed-through terminal block, 2 connections



Dimensions	
	[mm]
Max. electrical data	
Rated voltage	[V]
Nominal current / cross section	[A] / [mm ²]
Rated cross section	[mm ²]
Cross section range	AWG
Connection capacity of the usable plugs	
1 conductor	[mm ²]
Two stranded conductors with a TWIN ferrule	[mm ²]
General data	
Insulating material	
Inflammability class according to UL 94	

Technical data				
Width	Length	Height NS 35/7,5		
5.2	49.1	36.5		
I _{max} [A]	U _{max} [V]	max. Ø [mm ²]	AWG	
24 ²	500	0.08 - 4	28 - 12	
IEC 61984				
IEC	UL/CUL	CSA	IEC/EN 60079-7	
500	600	300	-	
24 ² / 2.5	20 / -	20 / -	-	
2.5	-	-	-	
28 - 12	-	24-12	-	
solid	stranded	Ferrule		
		Without / with plastic sleeve		
0.08 - 4	0.08 - 2.5	0.14 - 2.5	0.14 - 2.5	
PA				
V0				

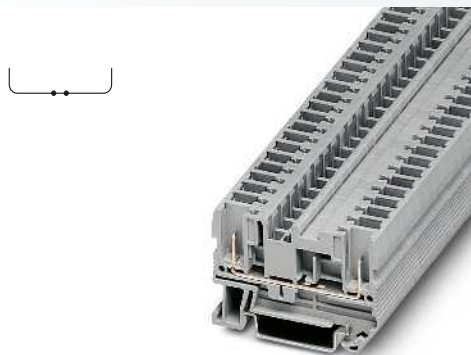
Description	No. of pos.	Color
Terminal block, for mounting on NS 35...		gray blue
Terminal block, with equipotential bonder, for mounting on NS 35...		gray

Ordering data			
Type	I _{max}	Order No.	Pcs. / Pkt.
ST 2,5/2P		3042133	50
ST 2,5/2P BU		3042094	50

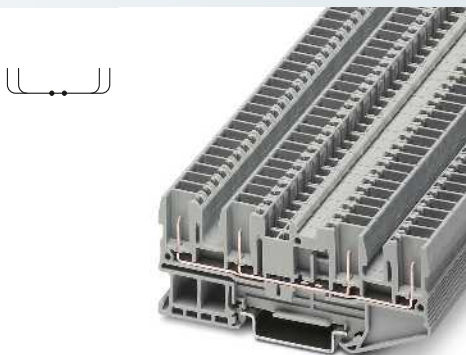
Cover, width 2.2 mm		gray
Cover, 0.8 mm width		orange
End cover segment, for covering multi-conductor terminal blocks when two-conductor terminal blocks are aligned		gray
Plug-in bridge		
	2	red
	3	red
	4	red
	5	red
	5	red
	20	red
Vertical potential bridge, to connect the upper and lower level		black
Partition plate, 2 mm width		gray
Screw flange		gray
Test adapter, 4-mm test socket hole		gray
Test plug metal part, 2.3 mm Ø		
Insulating sleeve, for MPS metal part		red
Modular test plug, for the individual assembly of test plug strips		red
Coding star, with 4 coding branches, can be inserted in all basic terminal blocks		red

Accessories			
D-ST 2,5		3030417	50
D-ST 2,5-0,8 OG		3030511	50
FBS 2-5	24 A	3030161	50
FBS 3-5	24 A	3030174	50
FBS 4-5	24 A	3030187	50
FBS 5-5	24 A	3030190	50
FBS 5-5	24 A	3030190	50
FBS 20-5	24 A	3030226	10
ATP-ST 4		3030721	50
ST 2,5/2P-F		3061198	50
PAI-4-N GY		3032871	10
MPS-MT		0201744	10
MPS-IH RD		0201676	10
PS-5		3030983	10
PC		3040588	50

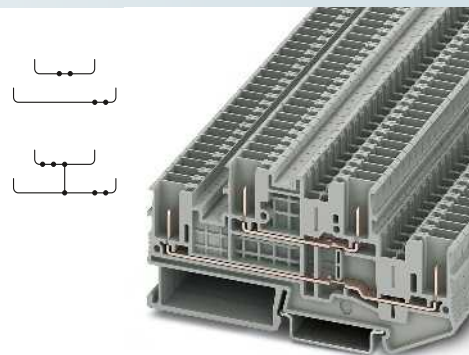
Center groove labeling	UC-TM 5, UCT-TM 5 or ZB 5 (see Catalog 5)
------------------------	---



4 (6) mm², 32 A, feed-through terminal block, 2 connections



2.5 (4) mm², 24 A, feed-through terminal block, 4 connections



2.5 (4) mm², 22 A, double-level terminal block



Technical data			
Width	Length	Height NS 35/7,5	
6.2	55.9	36.5	
I_{max} [A]	U_{max} [V]	max. Ø [mm ²]	AWG
32 ²⁾	800	0.08 - 6	28 - 10
IEC 61984			
IEC	UL/CUL	CSA	IEC/EN 60079-7
800	-	-	-
32 ²⁾ / 4	- / -	-	-
4	-	-	-
28 - 10	-	-	-
solid	stranded	Ferrule Without / with plastic sleeve	
0.08 - 6	0.08 - 4	0.14 - 4	0.14 - 4 0.5 - 1
PA	V0		

Technical data			
Width	Length	Height NS 35/7,5	
5.2	89.5	36.5	
I_{max} [A]	U_{max} [V]	max. Ø [mm ²]	AWG
24 ¹⁾	500	0.08 - 4	28 - 12
IEC 61984			
IEC	UL/CUL	CSA	IEC/EN 60079-7
500	600	300	-
24 ²⁾ / 2.5	20 / -	20 / -	-
2.5	-	-	-
28 - 12	-	24-12	-
solid	stranded	Ferrule Without / with plastic sleeve	
0.08 - 4	0.08 - 2.5	0.14 - 2.5	0.14 - 2.5 0.5
PA	V0		

Technical data			
Width	Length	Height NS 35/7,5	
5.2	98.8	47.5	
I_{max} [A]	U_{max} [V]	max. Ø [mm ²]	AWG
22 ²⁾	500	0.08 - 4	28 - 12
IEC 61984			
IEC	UL/CUL	CSA	IEC/EN 60079-7
500	600	600	-
22 ²⁾ / 2.5	20 / -	20	-
2.5	-	-	-
28 - 12	-	-	-
solid	stranded	Ferrule Without / with plastic sleeve	
0.08 - 4	0.08 - 2.5	0.14 - 2.5	0.14 - 2.5 0.5
PA	V0		

Ordering data			
Type	I_{max}	Order No.	Pcs. / Pkt.
ST 4/ 2P		3042735	50
ST 4/ 2P BU		3043789	50

Ordering data			
Type	I_{max}	Order No.	Pcs. / Pkt.
ST 2,5-QUATTRO/4P		3042159	50
ST 2,5-QUATTRO/4P BU		3042081	50

Ordering data			
Type	I_{max}	Order No.	Pcs. / Pkt.
STTB 2,5/4P		3061486	50
STTB 2,5/4P BU		3061512	50
STTB 2,5/4P-PV		3061509	50

Accessories			
D-ST 4		3030420	50
FBS 2-6	32 A	3030336	50
FBS 3-6	32 A	3030242	50
FBS 4-6	32 A	3030255	50
FBS 5-6	32 A	3030349	50
FBS 5-6	32 A	3030349	50
FBS 20-6	32 A	3030365	10
ATP-ST 4		3030721	50
PAI-4-N GY		3032871	10
MPS-MT		0201744	10
MPS-IH RD		0201676	10
PS-6		3030996	10
PC		3040588	50

Accessories			
D-ST 2,5-QUATTRO/4P		3042175	50
DS-ST 2,5/2P		3042337	50
FBS 2-5	24 A	3030161	50
FBS 3-5	24 A	3030174	50
FBS 4-5	24 A	3030187	50
FBS 5-5	24 A	3030190	50
FBS 5-5	24 A	3030190	50
FBS 20-5	24 A	3030226	10
ATP-ST QUATTRO		3030815	50
ST 2,5-QUATTRO/4P-F		3061208	50
PAI-4-N GY		3032871	10
MPS-MT		0201744	10
MPS-IH RD		0201676	10
PS-5		3030983	10
PC		3040588	50

Accessories			
D-STTB 2,5/4P		3061538	50
FBS 2-5	24 A	3030161	50
FBS 3-5	24 A	3030174	50
FBS 4-5	24 A	3030187	50
FBS 5-5	24 A	3030190	50
FBS 5-5	24 A	3030190	50
FBS 20-5	24 A	3030226	10
FBS-PV		3032185	50
ATP-STTB 4		3030747	50
PAI-4-N GY		3032871	10
MPS-MT		0201744	10
MPS-IH RD		0201676	10
PS-5		3030983	10
PC		3040588	50

UC-TM 6, UCT-TM 6 or ZB 6
(see Catalog 5)

UC-TM 5, UCT-TM 5 or ZB 5
(see Catalog 5)

UC-TM 5, UCT-TM 5 or ZB 5
(see Catalog 5)

COMBI plug-in connection solutions

COMBI PIN/PIN ground terminal blocks

- Same shape and pitch as the PIN/PIN versions of the COMBI series
- Contact is made free from mechanical and electrical errors by simply snapping onto the DIN rail
- All the requirements of standard IEC 60947-7-2 are met

Notes:
For current carrying capacity of DIN rails, see page 716.



2.5 (4) mm², ground terminal block, 2 connections



Dimensions			
		[mm]	
Max. electrical data			
Rated data			
Rated voltage		[V]	-
Nominal current / cross section		[A] / [mm²]	- / -
Rated cross section		[mm²]	2.5
Cross section range		AWG	28 - 12
Connection capacity of the usable plugs			
1 conductor		[mm²]	0.08 - 4
Two stranded conductors with a TWIN ferrule		[mm²]	0.08 - 2.5
General data			
Insulating material			PA
Inflammability class according to UL 94			V0

Technical data			
Width	Length	Height NS 35/7,5	
5.2	49.1	36.5	
		max. Ø [mm²]	AWG
		0.08 - 4	28 - 12
IEC 61984			
IEC	UL/CUL	CSA	IEC/EN 60079-7
-	-	-	-
-	- / -	-	-
2.5	-	-	-
28 - 12	-	28-12	-
solid	stranded	Ferrule	
		Without / with plastic sleeve	
0.08 - 4	0.08 - 2.5	0.14 - 2.5	0.14 - 2.5
			0.5

Description	No. of pos.	Color
Ground terminal block , for mounting on NS 35...		green-yellow

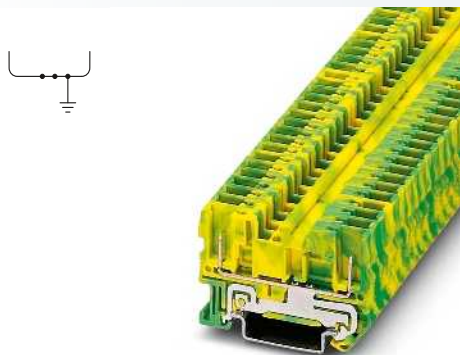
Ordering data		
Type	Order No.	Pcs. / Pkt.
ST 2,5/2P-PE	3042146	50

Cover , width 2.2 mm		gray
Cover , 0.8 mm width		orange
End cover segment , for covering multi-conductor terminal blocks when two-conductor terminal blocks are aligned		gray
Plug-in bridge		
	2	red
	3	red
	4	red
	5	red
	5	red
	20	red
Partition plate , 2 mm width		gray
Screw flange		gray
Test adapter , 4-mm test socket hole		gray
Test plug metal part , 2.3 mm Ø		
Insulating sleeve , for MPS metal part		red
Modular test plug , for the individual assembly of test plug strips		red
Coding star , with 4 coding branches, can be inserted in all basic terminal blocks		red

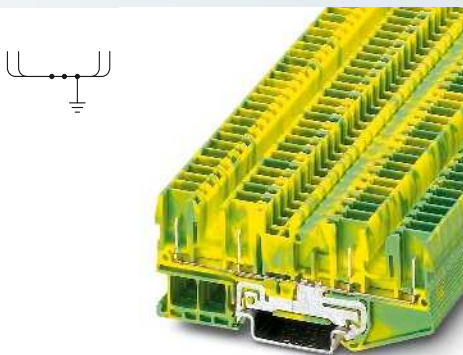
Accessories		
D-ST 2,5	3030417	50
D-ST 2,5-0,8 OG	3030511	50
FBS 2-5	3030161	50
FBS 3-5	3030174	50
FBS 4-5	3030187	50
FBS 5-5	3030190	50
FBS 5-5	3030190	50
FBS 20-5	3030226	10
ATP-ST 4	3030721	50
ST 2,5/2P-F	3061198	50
PAI-4-N GY	3032871	10
MPS-MT	0201744	10
MPS-IH RD	0201676	10
PS-5	3030983	10
PC	3040588	50

Center groove labeling

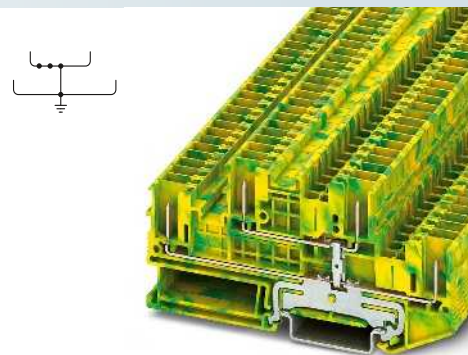
UC-TM 5, UCT-TM 5 or ZB 5 (see Catalog 5)



4 (6) mm², ground terminal block,
2 connections



2.5 (4) mm², ground terminal block,
4 connections



2.5 (4) mm², double-level ground terminal
block



Technical data			
Width	Length	Height NS 35/7,5	
6.2	55.9	36.5	
		max. Ø [mm ²]	AWG
		0.08 - 6	28 - 10
IEC 61984			
IEC	UL/CUL	CSA	IEC/ EN 60079-7
-	-	-	-
-	-/-	-	-
4	-	-	-
28 - 10	-	-	-
solid	stranded	Ferrule Without / with plastic sleeve	
0.08 - 6	0.08 - 4	0.14 - 4	0.14 - 4 0.5 - 1
PA	V0		

Technical data			
Width	Length	Height NS 35/7,5	
5.2	89.5	36.5	
		max. Ø [mm ²]	AWG
		0.08 - 4	28 - 12
IEC 61984			
IEC	UL/CUL	CSA	IEC/ EN 60079-7
-	-	-	-
-	-/-	-	-
2.5	-	-	-
28 - 12	-	28-12	-
solid	stranded	Ferrule Without / with plastic sleeve	
0.08 - 4	0.08 - 2.5	0.14 - 2.5	0.14 - 2.5 0.5
PA	V0		

Technical data			
Width	Length	Height NS 35/7,5	
5.2	98.8	47.5	
		max. Ø [mm ²]	AWG
		0.08 - 4	28 - 12
IEC 61984			
IEC	UL/CUL	CSA	IEC/ EN 60079-7
-	-	-	-
-	-/-	-	-
2.5	-	-	-
28 - 12	-	-	-
solid	stranded	Ferrule Without / with plastic sleeve	
0.08 - 4	0.08 - 2.5	0.14 - 2.5	0.14 - 2.5 0.5
PA	V0		

Ordering data		
Type	Order No.	Pcs. / Pkt.
ST 4/ 2P-PE	3042748	50

Ordering data		
Type	Order No.	Pcs. / Pkt.
ST 2,5-QUATTRO/4P-PE	3042162	50

Ordering data		
Type	Order No.	Pcs. / Pkt.
STTB 2,5/4P-PE	3061499	50

Accessories		
D-ST 4	3030420	50
FBS 2-6	3030336	50
FBS 3-6	3030242	50
FBS 4-6	3030255	50
FBS 5-6	3030349	50
FBS 5-6	3030349	50
FBS 20-6	3030365	10
ATP-ST 4	3030721	50
PAI-4-N GY	3032871	10
MPS-MT	0201744	10
MPS-IH RD	0201676	10
PS-6	3030996	10
PC	3040588	50

Accessories		
D-ST 2,5-QUATTRO/4P	3042175	50
DS-ST 2,5/2P	3042337	50
FBS 2-5	3030161	50
FBS 3-5	3030174	50
FBS 4-5	3030187	50
FBS 5-5	3030190	50
FBS 5-5	3030190	50
FBS 20-5	3030226	10
ATP-ST QUATTRO	3030815	50
ST 2,5-QUATTRO/4P-F	3061208	50
PAI-4-N GY	3032871	10
MPS-MT	0201744	10
MPS-IH RD	0201676	10
PS-5	3030983	10
PC	3040588	50

Accessories		
D-STTB 2,5/4P	3061538	50
FBS 2-5	3030161	50
FBS 3-5	3030174	50
FBS 4-5	3030187	50
FBS 5-5	3030190	50
FBS 5-5	3030190	50
FBS 20-5	3030226	10
ATP-STTB 4	3030747	50
PAI-4-N GY	3032871	10
MPS-MT	0201744	10
MPS-IH RD	0201676	10
PS-5	3030983	10
PC	3040588	50

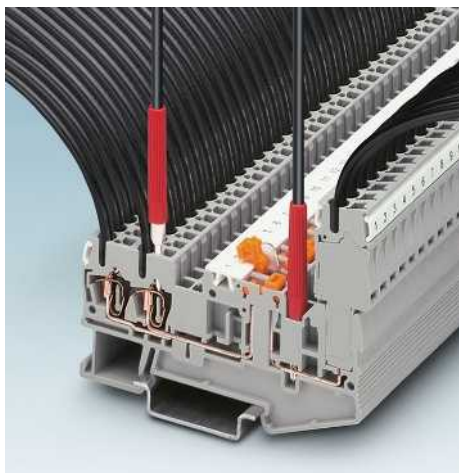
UC-TM 6, UCT-TM 6 or ZB 6
(see Catalog 5)

UC-TM 5, UCT-TM 5 or ZB 5
(see Catalog 5)

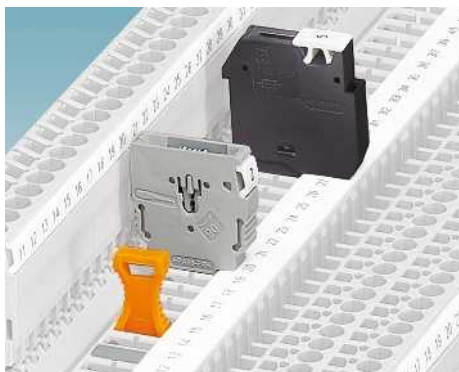
UC-TM 5, UCT-TM 5 or ZB 5
(see Catalog 5)

COMBI plug-in connection solutions

ST-COMBI knife disconnect terminal blocks



- Knife disconnect terminal block with a current carrying capacity of 20 A
- Design width of just 5.2 mm
- Triple bridge shaft enables individual potential distribution and supply
- Two bridge shafts are in the same position as for the entire ST and ST-COMBI series, while the third is on the other side of the disconnect point
- Test connection parallel to disconnect point for test plugs with a 2.3 mm diameter
- The ...TG/1P disconnect terminal block accommodates either the P-FIX feed-through connector, P-DI isolating plug, P-CO component plug or P-FU fuse plug



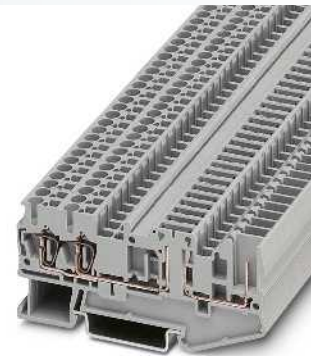
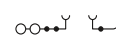
Notes:
For more plug-in bridges, see page 472.
1) If the fuse is faulty, the downstream circuit is not off load.
2) Observe max. load current.
3) Observe max. load current, depending on the power dissipation of the components. Max. 0.5 W with single arrangement.
4) Current and voltage are determined by the plug used.
5) The total current of all connected conductors must not exceed the maximum load current. For the derating curve, visit www.phoenixcontact.net/products .
6) Also see page 480.

Dimensions		[mm]
Max. electrical data		
Rated data		
Rated voltage	[V]	400 ⁴⁾
Nominal current / cross section	[A] / [mm ²]	20 ⁵⁾ / 2.5
Rated cross section	[mm ²]	2.5
Cross section range	AWG	28 - 12
Connection capacity		
1 conductor	[mm ²]	0.08 - 4
Two stranded conductors with a TWIN ferrule	[mm ²]	0.08 - 2.5
General data		
Stripping length	[mm]	10
Insulating material		PA
Inflammability class according to UL 94		V0

Description	No. of pos.	Color
Disconnect terminal block , for mounting on NS 35...		gray
Knife disconnect terminal block , for mounting on NS 35...		gray

Cover , width 2.2 mm	gray
Plug-in bridge	
	2 red
	3 red
	4 red
	5 red
Switching lock , plug-in ⁶⁾	white
Partition plate , 2 mm width	gray
Screw flange , for ST COMBI terminal blocks, for safe fixing of COMBI plugs with spring-cage connection for ST 2,5-QUATTRO/2P, ST 2,5-QUATTRO/2P-PE, ST 2,5-TWIN-MT/1P, ST 2,5-TWIN-TG/1P	gray
Test plug metal part , 2.3 mm Ø	
Insulating sleeve , for MPS metal part	red
Modular test plug , for the individual assembly of test plug strips	red
Isolating plug²⁾	orange
Feed-through connector²⁾	gray
Component plug , labeled with ZBF 5 or UC-TMF 5 ³⁾	gray
Fuse plug , width 5.2 mm ¹⁾	
With LED for 12-30 V DC, 0.35-0.95 mA	black
For 30-60 V AC/DC, 0.36-0.95 mA	black
For 110-250 V AC/DC, 0.4-0.95 mA	black
Coding star , with 4 coding branches, can be inserted in all basic terminal blocks	red
Screwdriver	

Center groove labeling	UC-TM 5, UCT-TM 5 or ZB 5 (see Catalog 5)
Center and lateral groove labeling	UC-TMF 5, UCT-TMF 5 or ZBF 5 (see Catalog 5)



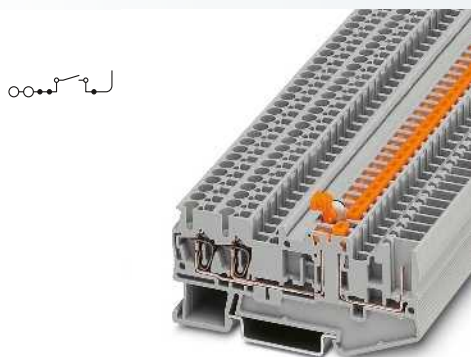
2.5 (4) mm², 20 A, disconnect terminal block, 3 connections



Technical data				
Width	Length	Height NS 35/7,5		
5.2	81	36.5		
I _{max} [A]	U _{max} [V]	max. Ø [mm ²]	AWG	
20 ⁵⁾	400 ⁴⁾	0.08 - 4	28 - 12	
IEC 61984	UL/CUL	CSA	IEC/EN 60079-7	
Rated voltage	600	300	-	
Nominal current / cross section	20 / -	20 / -	-	
Rated cross section	-	-	-	
Cross section range	28-12	28-12	-	
Connection capacity		Ferrule		
		Without / with plastic sleeve		
1 conductor	0.08 - 4	0.08 - 2.5	0.14 - 2.5	0.14 - 2.5
Two stranded conductors with a TWIN ferrule				0.5
General data				
Stripping length	10			
Insulating material	PA			
Inflammability class according to UL 94	V0			

Ordering data			
Type	I _{max}	Order No.	Pcs. / Pkt.
ST 2,5-TWIN-TG/1P		3040847	50

Accessories			
D-ST 2,5-QUATTRO/ 2P		3040083	50
FBS 2-5	24 A	3030161	50
FBS 3-5	24 A	3030174	50
FBS 4-5	24 A	3030187	50
FBS 5-5	24 A	3030190	50
ATP-ST QUATTRO		3030815	50
ST 2,5-QUATTRO/2P-F		3209853	50
MPS-MT		0201744	10
MPS-IH RD		0201676	10
PS-5		3030983	10
P-DI		3036783	50
P-FIX		3038956	50
P-CO		3036796	10
P-FU 5X20-5		3209235	10
P-FU 5X20 LED 24-5		3209248	10
P-FU 5X20 LED 60-5		3209251	10
P-FU 5X20 LED 250-5		3209264	10
PC		3040588	50
SZF 1-0,6X3,5		1204517	10



2.5 (4) mm², 20 A, knife disconnect terminal block, 3 connections



Technical data

Width	Length	Height NS 35/7,5	
5.2	81	36.5	
I_{max} [A]	U_{max} [V]	max. Ø [mm ²]	AWG
20 ⁵⁾	400	0.08 - 4	28 - 12
IEC 61984			
IEC	UL/CUL	CSA	IEC/ EN 60079-7
400	600	300	-
20 ⁵⁾ / 2.5	20 / -	20 / -	-
2.5	-	-	-
28 - 12	28-12	28-12	-
solid	stranded	Ferrule	
		Without / with plastic sleeve	
0.08 - 4	0.08 - 2.5	0.14 - 2.5	0.14 - 2.5 0.5

10
PA
V0

Ordering data

Type	I_{max}	Order No.	Pcs. / Pkt.
ST 2,5-TWIN-MT/1P		3040766	50

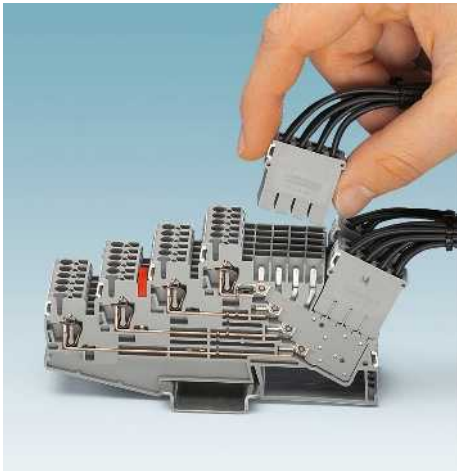
Accessories

D-ST 2,5-QUATTRO/ 2P		3040083	50
FBS 2-5	24 A	3030161	50
FBS 3-5	24 A	3030174	50
FBS 4-5	24 A	3030187	50
FBS 5-5	24 A	3030190	50
S-MT		3247954	50
ATP-ST QUATTRO		3030815	50
ST 2,5-QUATTRO/2P-F		3209853	50
MPS-MT		0201744	10
MPS-IH RD		0201676	10
PS-5		3030983	10
PC		3040588	50
SZF 1-0,6X3,5		1204517	10

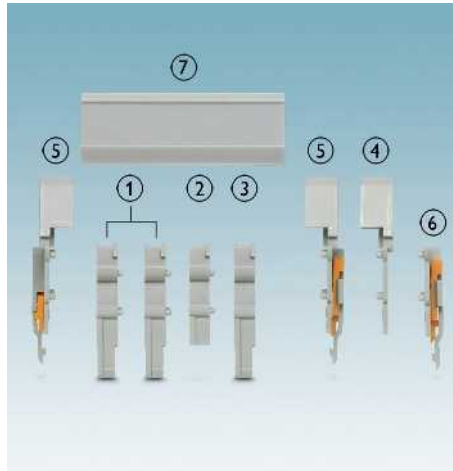
UC-TM 5, UCT-TM 5 or ZB 5
(see Catalog 5)
UC-TMF 5, UCT-TMF 5 or ZBF 5
(see Catalog 5)

COMBI plug-in connection solutions

ST ... four-level terminal block with spring-cage connection



- Four feed-through levels
- Design width of just 5.2 mm
- Conductor connection with a nominal cross section of 2.5 mm² with and without ferrule
- High wiring density for particularly cramped switch systems
- One bridge shaft per level for potential distribution
- Basic terminal block and connector are available as engagement pin versions for forming blocks of individual system units
- One or two slots, depending on terminal block version
- The connector can also be used as a convenient test connection
- Maximum contact protection in the event of vibrations thanks to integrated connector latching
- Safe latching of modular socket contacts in connector housing
- The assignment of the 4 levels is marked on the connector and also on the permanently wired terminal block side with a - d
- Can be labeled on each terminal point
- The connector has a marking option for clear identification
- The universal accessories of the ST standard series are used for the four-level basic terminal block



- ① 4-pos. plug with CP-H 2,5-4L-Z engagement pin
- ② DP-CP-H 2,5-4L spacer plate
- ③ CP-H 2,5-4L 4-pos. plug
- ④ D-CP-H 2,5-4L cover profile carrier
- ⑤ DFS-CP-H 2,5-4L cover profile carrier with self-locking flange cover
- ⑥ DFS-CP 2,5-4L self-locking flange cover
- ⑦ AP-CP-H cover profile

Notes:
For current carrying capacity of DIN rails, see page 716.
For more plug-in bridges, visit www.phoenixcontact.net/products .
In order to crimp STG-MTN... modular socket contacts, the CRIMPFOX MT 2,5 (Order No. 1204038) must be used.
¹⁾ For derating curve, visit www.phoenixcontact.net/products

Dimensions	[mm]
Max. electrical data	

Rated data	
Rated voltage	[V]
Nominal current / cross section	[A] / [mm ²]
Rated cross section	[mm ²]
Cross section range	AWG

Connection capacity	
1 conductor	[mm ²]
Two stranded conductors with a TWIN ferrule	[mm ²]

General data	
Stripping length	[mm]
Insulating material	
Inflammability class according to UL 94	

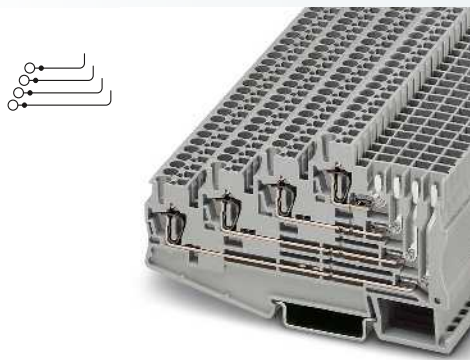
Description	No. of pos.	Color
Terminal block , for mounting on NS 35...		gray
Spring-cage terminal block with engagement pin , for mounting on NS 35...		gray
Plug housing , for accommodating 4 socket contacts		gray
Plug housing with engagement pin		gray

Cover, width 2.2 mm		
Plug-in bridge		gray
	2	red
	3	red
	4	red
	5	red
	10	red
	20	red

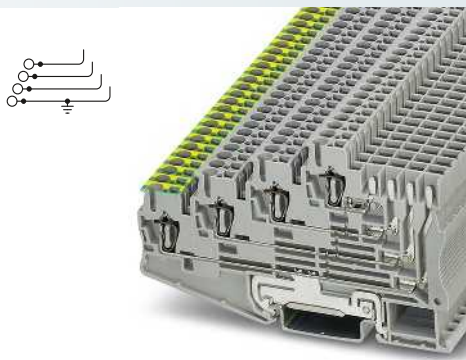
Self-locking flange , can be labeled with UC-TM	gray
Module socket contact , 0.5 - 1 mm ²	silver
For conductors from 1.5 ... 2.5 mm ²	silver
Spacer plate	gray
Cover profile , 1 m, can be labeled with UC-TM ...	gray

Cover profile carrier	gray
Cover profile carrier , with self-locking flange cover	gray
Self-locking flange cover	gray
Test adapter , 4-mm test socket hole	gray
Test plug metal part , 2.3 mm Ø	
Insulating sleeve , for MPS metal part	red
Modular test plug , for the individual assembly of test plug strips	red

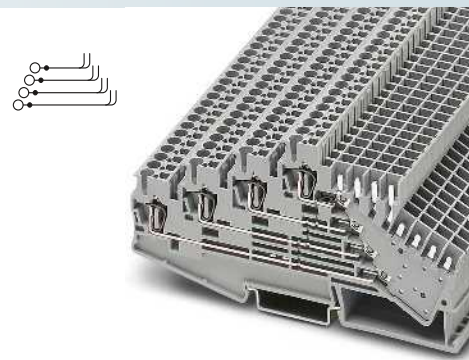
Screwdriver
Lateral groove labeling



2.5 (4) mm², 10 A, four-level terminal block



2.5 (4) mm², 10 A, four-level terminal block with PE foot



2.5 (4) mm², 10 A, four-level terminal block, two slots



Technical data			
Width	Length	Height NS 35/7,5	
5.2	101	59	
I_{max} [A]	U_{max} [V]	max. Ø [mm ²]	AWG
10 ¹⁾	250	0.08 - 4	28 - 12
IEC 61984			
IEC	UL/CUL	CSA	IEC/EN 60079-7
250	300	300	-
10 ¹⁾ / 1.5	10 / -	10 / -	-
2.5	-	-	-
28 - 12	28-12	28-12	-
solid	stranded	Ferrule	
		Without / with plastic sleeve	
0.08 - 4	0.08 - 2.5	0.14 - 2.5	0.14 - 2.5
			0.5
10			
PA			
V0			

Technical data			
Width	Length	Height NS 35/7,5	
5.2	101	59	
I_{max} [A]	U_{max} [V]	max. Ø [mm ²]	AWG
10 ¹⁾	250	0.08 - 4	28 - 12
IEC 61984			
IEC	UL/CUL	CSA	IEC/EN 60079-7
250	300	300	-
10 ¹⁾ / 1.5	10 / -	10 / -	-
2.5	-	-	-
28 - 12	28-12	28-12	-
solid	stranded	Ferrule	
		Without / with plastic sleeve	
0.08 - 4	0.08 - 2.5	0.14 - 2.5	0.14 - 2.5
			0.5
10			
PA			
V0			

Technical data			
Width	Length	Height NS 35/7,5	
5.2	120.5	59	
I_{max} [A]	U_{max} [V]	max. Ø [mm ²]	AWG
10 ¹⁾	250	0.08 - 4	28 - 12
IEC 61984			
IEC	UL/CUL	CSA	IEC/EN 60079-7
250	300	300	-
10 ¹⁾ / 1.5	10 / -	10 / -	-
2.5	-	-	-
28 - 12	28-12	28-12	-
solid	stranded	Ferrule	
		Without / with plastic sleeve	
0.08 - 4	0.08 - 2.5	0.14 - 2.5	0.14 - 2.5
			0.5
10			
PA			
V0			

Ordering data			
Type	I_{max}	Order No.	Pcs. / Pkt.
ST 2,5-4L/1P		3041985	50
CP-H 2,5-4L		3012313	50
CP-H 2,5-4L-Z		3012314	50

Ordering data			
Type	I_{max}	Order No.	Pcs. / Pkt.
ST 2,5-PE/3L/1P		3041969	50
CP-H 2,5-4L-PE		3012323	50
CP-H 2,5-4L-Z-PE		3012324	50

Ordering data			
Type	I_{max}	Order No.	Pcs. / Pkt.
ST 2,5-4L/2P		3042007	50
ST 2,5-4L/2P-Z		3041998	50
CP-H 2,5-4L		3012313	50
CP-H 2,5-4L-Z		3012314	50

Accessories			
D-ST 2,5-4L/1P		3041930	50
FBS 2-5	24 A	3030161	50
FBS 3-5	24 A	3030174	50
FBS 4-5	24 A	3030187	50
FBS 5-5	24 A	3030190	50
FBS 10-5	24 A	3030213	10
FBS 20-5	24 A	3030226	10
PT 2,5-4L/1P-FS		3012302	10
STG-MTN 0,5-1,0		3190438	100
STG-MTN 1,5-2,5		3190506	100
DP-CP-H 2,5-4L		3012319	50
AP-CP-H	METER	3012315	10
D-CP-H 2,5-4L		3012320	50
DFS-CP-H 2,5-4L		3012317	50
DFS-CP 2,5-4L		3012321	50
PAI-4-N GY		3032871	10
MPS-MT		0201744	10
MPS-IH RD		0201676	10
PS-5		3030983	10
SZF 1-0,6X3,5		1204517	10
UC-TMF 5, UCT-TMF 5 or ZBF 5 (see Catalog 5)			

Accessories			
D-ST 2,5-4L/1P		3041930	50
FBS 2-5	24 A	3030161	50
FBS 3-5	24 A	3030174	50
FBS 4-5	24 A	3030187	50
FBS 5-5	24 A	3030190	50
FBS 10-5	24 A	3030213	10
FBS 20-5	24 A	3030226	10
PT 2,5-4L/2P-FS		3012312	10
STG-MTN 0,5-1,0		3190438	100
STG-MTN 1,5-2,5		3190506	100
DP-CP-H 2,5-4L		3012319	50
AP-CP-H	METER	3012315	10
D-CP-H 2,5-4L		3012320	50
DFS-CP-H 2,5-4L		3012317	50
DFS-CP 2,5-4L		3012321	50
PAI-4-N GY		3032871	10
MPS-MT		0201744	10
MPS-IH RD		0201676	10
PS-5		3030983	10
SZF 1-0,6X3,5		1204517	10
UC-TMF 5, UCT-TMF 5 or ZBF 5 (see Catalog 5)			

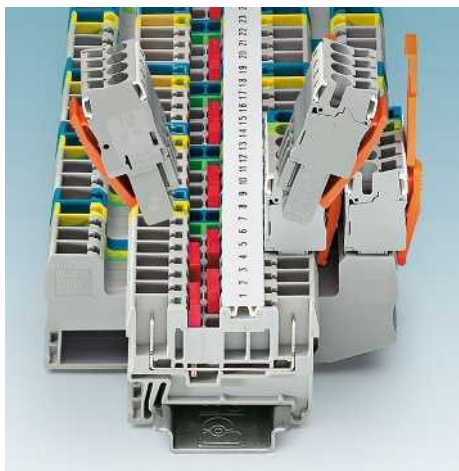
Accessories			
D-ST 2,5-4L/2P		3041927	50
FBS 2-5	24 A	3030161	50
FBS 3-5	24 A	3030174	50
FBS 4-5	24 A	3030187	50
FBS 5-5	24 A	3030190	50
FBS 10-5	24 A	3030213	10
FBS 20-5	24 A	3030226	10
PT 2,5-4L/2P-FS		3012312	10
STG-MTN 0,5-1,0		3190438	100
STG-MTN 1,5-2,5		3190506	100
DP-CP-H 2,5-4L		3012319	50
AP-CP-H	METER	3012315	10
D-CP-H 2,5-4L		3012320	50
DFS-CP-H 2,5-4L		3012317	50
DFS-CP 2,5-4L		3012321	50
PAI-4-N GY		3032871	10
MPS-MT		0201744	10
MPS-IH RD		0201676	10
PS-5		3030983	10
SZF 1-0,6X3,5		1204517	10
UC-TMF 5, UCT-TMF 5 or ZBF 5 (see Catalog 5)			

COMBI plug-in connection solutions

QT-COMBI feed-through and ground terminal blocks



- The advantages of the IDC insulation displacement contact are combined with the universal plug-in design of all four connection methods of the CLIPLINE complete system
- On the control cabinet side, the time-saving QUICKON fast connection is used
- All four of the CLIPLINE complete system connection methods can be used on the connection side as a means of connection
- The basic terminal blocks can be used for plug-in signal and power wiring
- Nominal data is 17.5 A / 500 V
- Ground terminal blocks of the same shape are available



Notes:
For current carrying capacity of DIN rails, see page 716.
The SP..., UP..., QP..., DP... plugs for the QT-COMBI terminal blocks are documented, see page 408.
For terminal blocks which can be connected on both sides, see page 360.
1) The total current of all connected conductors must not exceed the max. load current.
2) For derating curve, visit www.phoenixcontact.net/products



1.5 (1.5) mm², 17.5 A, feed-through terminal block



Dimensions	[mm]
Max. electrical data	
Rated data	
Rated voltage	[V] 500
Nominal current / cross section	[A] / [mm ²] 17.5 ² / 1.5
Rated cross section	[mm ²] 1.5
Cross section range	AWG 24 - 16
Connection cross section in acc. with DIN VDE 0295	
H05V(Z) / H07V(Z)	[mm ²] 0.5 - 1.5
Class 5 / Class 6 [litz wires Ø ≥ 0.1 mm]	[mm ²] 0.25 - 0.34
[Litz wires Ø ≥ 0.19 mm]	AWG 24 - 16
Frequency of connections with the same cross section	100

General data	
Insulating material	PA
Inflammability class according to UL 94	V0

Description	No. of pos.	Color
Terminal block , for mounting on NS 35...		gray blue
Terminal block , with equipotential bonder, for mounting on NS 35... ¹⁾		gray
Ground terminal block , for mounting on NS 35...		green-yellow

Cover , width 2.2 mm	gray
Plug-in bridge	
	2 red
	3 red
	4 red
	5 red
	10 red
	20 red

Partition plate , 2 mm width	gray
Screw flange , for QT-COMBI terminal blocks, when using UPBV 2,5..., SP...2,5... or PP-H 2,5 plugs for QTC 1,5/1P, QTC 1,5/1P-PE	gray
Test adapter , 4-mm test socket hole	gray
Test plug metal part , 2.3 mm Ø	
Insulating sleeve , for MPS metal part	red
Modular test plug , for the individual assembly of test plug strips	red
Coding star , with 4 coding branches, can be inserted in all basic terminal blocks	red
Screwdriver	

Center groove labeling	UC-TM 5, UCT-TM 5 or ZB 5 (see Catalog 5)
Center and lateral groove labeling	UC-TMF 5, UCT-TMF 5 or ZBF 5 (see Catalog 5)

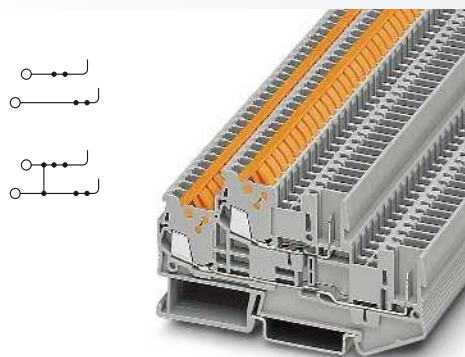
Technical data			
Width	Length	Height NS 35/7,5	
5.2	53.5	39.3	
I _{max} [A]	U _{max} [V]	max. Ø [mm ²]	AWG
17.5 ²	500	0.25 - 1.5	24 - 16
IEC 61984			
IEC	UL/CUL	CSA	IEC/EN 60079-7

Rated voltage	600	600	-
Nominal current / cross section	10 / -	10 / -	-
Rated cross section	-	-	-
Cross section range	24 - 16	24 - 16	24 - 16

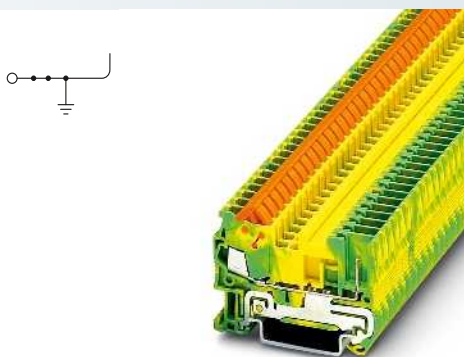
PA
V0

Ordering data			
Type	I _{max}	Order No.	Pcs. / Pkt.
QTC 1,5/ 1P		3050073	50
QTC 1,5/ 1P BU		3050086	50

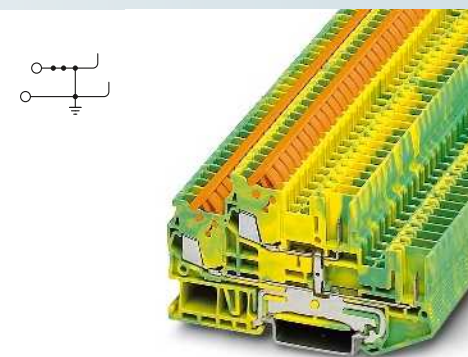
Accessories			
D-QTC 1,5/1P		3206322	50
FBS 2-5	24 A	3030161	50
FBS 3-5	24 A	3030174	50
FBS 4-5	24 A	3030187	50
FBS 5-5	24 A	3030190	50
FBS 10-5	24 A	3030213	10
FBS 20-5	24 A	3030226	10
ATP-QTC		3206209	50
QTC 1,5/1P-F		3061211	50
PAI-4-N GY		3032871	10
MPS-MT		0201744	10
MPS-IH RD		0201676	10
PS-5		3030983	10
PC		3040588	50
SZF 1-0,6X3,5		1204517	10



1.5 (1.5) mm², 17.5 A, double-level terminal block



1.5 (1.5) mm², ground terminal block



1.5 (1.5) mm², double-level ground terminal block



Technical data			
Width	Length	Height NS 35/7,5	
5.2	87.8	49.9	
I_{max} [A]	U_{max} [V]	max. Ø [mm ²]	AWG
17.5 ²⁾	500	0.25 - 1.5	24 - 16
IEC 61984			
IEC	UL/CUL	CSA	IEC/EN 60079-7
500	600	600	-
17.5 ²⁾ / 1.5	10 / -	10 / -	-
1.5	-	-	-
24 - 16	24-16	24-16	-
0.5 - 1.5			
0.25 - 0.34			
24 - 16			
100			
PA			
V0			

Technical data			
Width	Length	Height NS 35/7,5	
5.2	53.5	39.3	
I_{max} [A]	U_{max} [V]	max. Ø [mm ²]	AWG
17.5 ²⁾	500	0.25 - 1.5	24 - 16
IEC 61984			
IEC	UL/CUL	CSA	IEC/EN 60079-7
-	-	-	-
-	- / -	-	-
1.5	-	-	-
24 - 16	24-16	24-16	-
0.5 - 1.5			
0.25 - 0.34			
24 - 16			
100			
PA			
V0			

Technical data			
Width	Length	Height NS 35/7,5	
5.2	87.8	49.9	
I_{max} [A]	U_{max} [V]	max. Ø [mm ²]	AWG
17.5 ²⁾	500	0.25 - 1.5	24 - 16
IEC 61984			
IEC	UL/CUL	CSA	IEC/EN 60079-7
-	-	-	-
-	- / -	-	-
1.5	-	-	-
24 - 16	24-16	24-16	-
0.5 - 1.5			
0.25 - 0.34			
24 - 16			
100			
PA			
V0			

Ordering data			
Type	I_{max}	Order No.	Pcs. / Pkt.
QTTCB 1,5/ 2P		3050196	50
QTTCB 1,5/ 2P BU		3050206	50
QTTCB 1,5/ 2P-PV		3206377	50

Ordering data		
Type	Order No.	Pcs. / Pkt.
QTC 1,5/ 1P-PE	3050099	50

Ordering data		
Type	Order No.	Pcs. / Pkt.
QTTCB 1,5/ 2P-PE	3050219	50

Accessories			
D-QTTCB 1,5/2P		3206306	50
FBS 2-5	24 A	3030161	50
FBS 3-5	24 A	3030174	50
FBS 4-5	24 A	3030187	50
FBS 5-5	24 A	3030190	50
FBS 10-5	24 A	3030213	10
FBS 20-5	24 A	3030226	10
ATP-QTTCB		3206238	50
QTTCB 1,5/ 2P-F		3061185	50
PAI-4-N GY		3032871	10
MPS-MT		0201744	10
MPS-IH RD		0201676	10
PS-5		3030983	10
PC		3040588	50
SZF 1-0,6X3,5		1204517	10

Accessories			
D-QTC 1,5/1P		3206322	50
FBS 2-5		3030161	50
FBS 3-5		3030174	50
FBS 4-5		3030187	50
FBS 5-5		3030190	50
FBS 10-5		3030213	10
FBS 20-5		3030226	10
ATP-QTC		3206209	50
QTC 1,5/1P-F		3061211	50
PAI-4-N GY		3032871	10
MPS-MT		0201744	10
MPS-IH RD		0201676	10
PS-5		3030983	10
PC		3040588	50
SZF 1-0,6X3,5		1204517	10

Accessories			
D-QTTCB 1,5/2P		3206306	50
FBS 2-5		3030161	50
FBS 3-5		3030174	50
FBS 4-5		3030187	50
FBS 5-5		3030190	50
FBS 10-5		3030213	10
FBS 20-5		3030226	10
ATP-QTTCB		3206238	50
QTTCB 1,5/ 2P-F		3061185	50
PAI-4-N GY		3032871	10
MPS-MT		0201744	10
MPS-IH RD		0201676	10
PS-5		3030983	10
PC		3040588	50
SZF 1-0,6X3,5		1204517	10

UC-TMF 5, UCT-TMF 5 or ZBF 5
(see Catalog 5)

UC-TM 5, UCT-TM 5 or ZB 5
(see Catalog 5)
UC-TMF 5, UCT-TMF 5 or ZBF 5
(see Catalog 5)

UC-TMF 5, UCT-TMF 5 or ZBF 5
(see Catalog 5)

COMBI plug-in connection solutions

COMBI couplings with push-in connection

- For secure and space-saving accommodation of plug contacts in cable ducts and distributor shafts
- The push-in COMBI couplings for self-assembly provide solutions that users can implement themselves
- Robust cable housings for strain relief on connecting cables are available

Notes:
For more cable housings, see page 433.
1) For derating curve, visit www.phoenixcontact.net/products



1.5 (1.5) mm², 17.5 A, coupling, 2 to 15-pos.



Dimensions		[mm]
Max. electrical data		
Rated data		
Rated voltage	[V]	500
Nominal current / cross section	[A] / [mm ²]	17.5 ¹⁾ / 1.5
Rated cross section	[mm ²]	1.5
Cross section range	AWG	26 - 16
Connection capacity		
1 conductor	[mm ²]	0.14 - 1.5
Two stranded conductors with a TWIN ferrule	[mm ²]	0.14 - 1.5
Direct plug-in connection cross sections	[mm ²]	0.25 - 1.5
General data		
Stripping length	[mm]	8
Insulating material		PA
Inflammability class according to UL 94		V0

Technical data			
Width	Length	Height	
3.5 x No. of pos.	27	17.8	
I _{max} [A]	U _{max} [V]	max. Ø [mm ²]	AWG
17.5 ¹⁾	500	0.14 - 1.5	26 - 16
IEC 61984	UL/CUL	CSA	IEC/EN 60079-7
500	600	600	-
17.5 ¹⁾ / 1.5	15 / -	15 / -	-
1.5	-	-	-
26 - 16	26-14	26-14	-
Connection capacity		Ferrule	
		Without / with plastic sleeve	
0.14 - 1.5	0.14 - 1.5	0.14 - 1.5	0.14 - 1
0.25 - 1.5	-	0.34 - 1.5	0.34 - 1

Description	No. of pos.	Color
COMBI coupling, with push-in connection	2	gray
	3	gray
	4	gray
	5	gray
	6	gray
	7	gray
	8	gray
	9	gray
	10	gray
	11	gray
	12	gray
	13	gray
	14	gray
	15	gray
	COMBI coupling, with push-in connection	2
3		gray
4		gray
5		gray
6		gray
10		gray

Ordering data		
Type	Order No.	Pcs. / Pkt.
PPC 1,5/S/ 2	3213386	50
PPC 1,5/S/ 3	3213399	50
PPC 1,5/S/ 4	3213409	50
PPC 1,5/S/ 5	3213412	50
PPC 1,5/S/ 6	3213425	25
PPC 1,5/S/ 7	3213438	25
PPC 1,5/S/ 8	3213441	25
PPC 1,5/S/ 9	3213454	25
PPC 1,5/S/10	3213467	25
PPC 1,5/S/11	3213470	10
PPC 1,5/S/12	3213483	10
PPC 1,5/S/13	3213496	10
PPC 1,5/S/14	3213506	10
PPC 1,5/S/15	3213519	10

Cover, width 2.2 mm	gray
Test plug metal part, 2.3 mm Ø	
Insulating sleeve, for MPS metal part	red
Coding star, with 4 coding branches, can be inserted in all basic terminal blocks	red
Strain relief, for plug and coupling 2-pos.	black
Screwdriver	
Lateral groove labeling	

Accessories		
Type	Order No.	Pcs.
D-PPC 1,5/S	3213690	50
MPS-MT	0201744	10
MPS-IH RD	0201676	10
PC	3040588	50
PZ 1,5/S/2	3212918	50
SZF 0-0,4X2,5	1204504	10
UCT-TMF 3,5 or ZBF 3,5 (see Catalog 5)		

N



6 (10) mm², 41 A, coupling, 2 to 10-pos.

Technical data

Width	Length	Height	
8.2 x No. of pos.	47	24.7	
I_{max} [A]	U_{max} [V]	max. Ø [mm ²]	AWG
41	1000	0.5 - 10	20 - 8
IEC 61984			
IEC	UL/CUL	CSA	IEC/EN 60079-7
1000	-	-	-
41 / 6	- / -	-	-
6	-	-	-
20 - 8	-	-	-
solid	stranded	Ferrule	
		Without / with plastic sleeve	
0.5 - 10	0.5 - 6	0.5 - 6	0.5 - 6
			0.5 - 1.5
1 - 10	-	1 - 6	1 - 6
12			
PA			
V0			

Ordering data

Type	Order No.	Pcs. / Pkt.
PPC 6/2	3000693	25
PPC 6/3	3000694	25
PPC 6/4	3000695	25
PPC 6/5	3000697	25
PPC 6/6	3000698	25
PPC 6/7	3000699	25
PPC 6/8	3000700	25
PPC 6/9	3000701	25
PPC 6/10	3000702	25

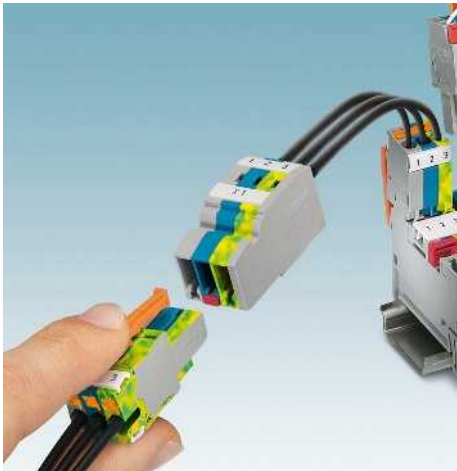
Accessories

Accessories	Order No.	Pcs. / Pkt.
D-PPC 6	3000703	10
MPS-MT	0201744	10
MPS-IH RD	0201676	10
PC	3040588	50
PZ/2	3040627	50
SZF 2-0,8X4,0	1204520	10

UC-TMF 8, UCT-TMF 8 or ZBF 8
(see Catalog 5)

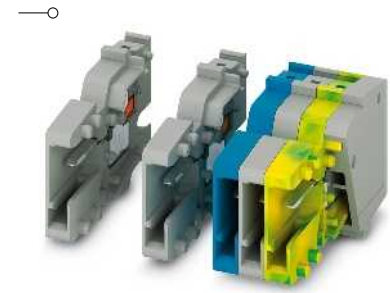
COMBI plug-in connection solutions

COMBI couplings with push-in connection for self-assembly



- For secure and space-saving accommodation of plug contacts in cable ducts and distributor shafts
- The push-in COMBI couplings for self-assembly provide solutions that users can implement themselves
- Robust cable housings for strain relief on connecting cables are available

Notes:
1) For derating curve, visit www.phoenixcontact.net/products



1.5 (1.5) mm², 17.5 A, coupling, for self-assembly



Dimensions	
	[mm]
Max. electrical data	
Rated data	
Rated voltage	[V]
Nominal current / cross section	[A] / [mm ²]
Rated cross section	[mm ²]
Cross section range	AWG
Connection capacity	
1 conductor	[mm ²]
Two stranded conductors with a TWIN ferrule	[mm ²]
Direct plug-in connection cross sections	[mm ²]
General data	
Stripping length	[mm]
Insulating material	
Inflammability class according to UL 94	

Technical data				
Width	Length	Height		
3.5	27	17.8		
I _{max} [A]	U _{max} [V]	max. Ø [mm ²]	AWG	
17.5 ¹⁾	500	0.14 - 1.5	26 - 16	
IEC 61984				
IEC	UL/CUL	CSA	IEC/EN 60079-7	
500	600	600	-	
17.5 ¹⁾ / 1.5	15 / -	15 / -	-	
1.5	-	-	-	
26 - 16	26-14	26-14	-	
solid	stranded		Ferrule	
			Without / with plastic sleeve	
0.14 - 1.5	0.14 - 1.5	0.14 - 1.5	0.14 - 1	
0.25 - 1.5	-	0.34 - 1.5	0.34 - 1	
8				
PA				
V0				

Description	No. of pos.	Width	Color
COMBI coupling, with push-in connection			
	1	3.5 mm	gray
	1	3.5 mm	blue
	1	3.5 mm	green-yellow
COMBI coupling, with push-in connection			
	1	8.2 mm	gray
	1	8.2 mm	blue
	1	8.2 mm	green/yellow

Ordering data		
Type	Order No.	Pcs. / Pkt.
PPC 1,5/S/1-L	3213357	50
PPC 1,5/S/1-L BU	3213360	50
PPC 1,5/S/1-L GNYE	3213373	50

Cover, width 2.2 mm	gray
Test plug metal part, 2.3 mm Ø	
Insulating sleeve, for MPS metal part	red
Cable housing, for PP-H 1,5... and PPC 1,5... 3-pos.	gray
	4 gray
	5 gray
	6 gray
	7 gray
	8 gray
	9 gray
	10 gray
	11 gray
	12 gray
	13 gray
	14 gray
	15 gray
Coding star, with 4 coding branches, can be inserted in all basic terminal blocks	red
Strain relief, for plug and coupling 2-pos.	black
Screwdriver	
Lateral groove labeling	

Accessories		
D-PPC 1,5/S	3213690	50
MPS-MT	0201744	10
MPS-IH RD	0201676	10
PH 1,5/S/3	3212756	50
PH 1,5/S/4	3212769	50
PH 1,5/S/5	3212772	50
PH 1,5/S/6	3212785	25
PH 1,5/S/7	3212798	25
PH 1,5/S/8	3212808	25
PH 1,5/S/9	3212811	25
PH 1,5/S/10	3212824	25
PH 1,5/S/11	3212837	10
PH 1,5/S/12	3212840	10
PH 1,5/S/13	3212853	10
PH 1,5/S/14	3212866	10
PH 1,5/S/15	3212879	10
PC	3040588	50
PZ 1,5/S/2	3212918	50
SZF 0-0,4X2,5	1204504	10
UCT-TMF 3,5 or ZBF 3,5 (see Catalog 5)		

N

—○


6 (10) mm², 41 A, coupling, for self-assembly
Technical data

Width	Length	Height	
8.2	47	24.7	
I_{max} [A]	U_{max} [V]	max. Ø [mm ²]	AWG
41	1000	0.5 - 10	20 - 8
IEC 61984			
IEC	UL/CUL	CSA	IEC/ EN 60079-7
1000	-	-	-
41 / 6	-	-	-
6	-	-	-
20 - 8	-	-	-
solid	stranded	Ferrule	
		Without / with plastic sleeve	
0.5 - 10	0.5 - 6	0.5 - 6	0.5 - 6 0.5 - 1.5
1 - 10	-	1 - 6	1 - 6
12			
PA			
V0			

Ordering data

Type	Order No.	Pcs. / Pkt.
PPC 6/1-L	3000690	50
PPC 6/1-L BU	3000691	50
PPC 6/1-L GNYE	3000692	50

Accessories

D-PPC 6	3000703	10
MPS-MT	0201744	10
MPS-IH RD	0201676	10
PC	3040588	50
PZ/2	3040627	50
SZF 2-0,8X4,0	1204520	10
UC-TMF 8, UCT-TMF 8 or ZBF 8 (see Catalog 5)		

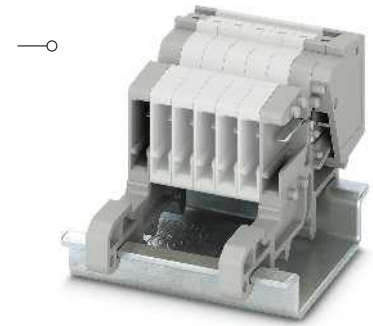
COMBI plug-in connection solutions

COMBI couplings with push-in connection for self-assembly, for DIN rail mounting



- The couplings with push-in connection for DIN rail mounting offer the optimum solution for applications where only a low design height is available
- The terminal blocks are snapped onto the PPC... free-hanging couplings as modules and can be used both on NS 15 and NS 35 DIN rails

Notes:
1) For derating curve, visit www.phoenixcontact.net/products



1.5 (1.5) mm², 17.5 A, coupling for DIN rail mounting



Dimensions		[mm]	
Dimensions		[mm]	
Max. electrical data			
Rated data			
Rated voltage	[V]	500	600
Nominal current / cross section	[A] / [mm ²]	17.5 ¹⁾ / 1.5	15 / -
Rated cross section	[mm ²]	1.5	-
Cross section range	AWG	26 - 16	26-14
Connection capacity			
1 conductor	[mm ²]	0.14 - 1.5	0.14 - 1.5
Two stranded conductors with a TWIN ferrule	[mm ²]		
Direct plug-in connection cross sections	[mm ²]	0.25 - 1.5	-
General data			
Stripping length	[mm]	8	
Insulating material		PA	
Inflammability class according to UL 94		V0	

Technical data			
Width	Length	Height NS 35/7,5	
3.5	43	28.3	
Width	Length	Height NS 15	
3.5	43	28.3	
I _{max} [A]	U _{max} [V]	max. Ø [mm ²]	AWG
17.5 ¹⁾	500	0.14 - 1.5	26 - 16
IEC 61984	UL/CUL	CSA	IEC/EN 60079-7
IEC	UL/CUL	CSA	IEC/EN 60079-7
			Ferrule
			Without / with plastic sleeve
			Without / with plastic sleeve
			Without / with plastic sleeve

Description	Color
COMBI coupling, with push-in connection, for mounting on NS 35 or NS 15 DIN rail	gray

Ordering data		
Type	Order No.	Pcs. / Pkt.
PPC 1,5/S-NS/1-L	3213700	50

Cover, width 2.2 mm	gray
Test plug metal part, 2.3 mm Ø	
Insulating sleeve, for MPS metal part	red
Coding star, with 4 coding branches, can be inserted in all basic terminal blocks	red
Strain relief, for plug and coupling 2-pos.	black

Accessories		
Accessories	Order No.	Pcs. / Pkt.
D-PPC 1,5/S	3213690	50
MPS-MT	0201744	10
MPS-IH RD	0201676	10
PC	3040588	50
PZ 1,5/S/2	3212918	50
SZF 0-0,4X2,5	1204504	10

Screwdriver	SZF 0-0,4X2,5	1204504	10
Lateral groove labeling	UCT-TMF 3,5 or ZBF 3,5 (see Catalog 5)		

N


6 (10) mm², 41 A, coupling for DIN rail mounting

Technical data

Width	Length	Height NS 35/7,5	
8.2	27	38	
Width	Length	Height NS 15	
8.2	27	38	
I_{max} [A]	U_{max} [V]	max. Ø [mm ²]	AWG
41	1000	0.5 - 10	20 - 8
IEC 61984			
IEC	UL/CUL	CSA	IEC/ EN 60079-7
1000	-	-	-
41 / 6	- / -	-	-
6	-	-	-
20 - 8	-	-	-
solid	stranded	Ferrule	
		Without / with plastic sleeve	
0.5 - 10	0.5 - 6	0.5 - 6	0.5 - 6
			0.5 - 1.5
1 - 10	-	1 - 6	1 - 6
12			
PA			
V0			

Ordering data

Type	Order No.	Pcs. / Pkt.
PPC 6-NS/1-L	3000689	50

Accessories

D-PPC 6	3000703	10
MPS-MT	0201744	10
MPS-IH RD	0201676	10
PC	3040588	50
PZ/2	3040627	50
SZF 2-0,8X4,0	1204520	10

UC-TMF 8, UCT-TMF 8 or ZBF 8
(see Catalog 5)

COMBI plug-in connection solutions

COMBI couplings with spring-cage connection

- For secure and space-saving accommodation of plug contacts in cable ducts and distributor shafts
- Standard strain relief can be used
- Test hole in every coupling disc, to accommodate a test plug with a 2.3 mm diameter

Notes:
 1) For derating curve, visit www.phoenixcontact.net/products



2.5 (4) mm², 24 A, coupling, 2 to 15-pos.



4 (6) mm², 32 A, coupling, 2 to 15-pos.



Dimensions		[mm]
Max. electrical data		
Rated data		
Rated voltage	[V]	500
Nominal current / cross section	[A] / [mm ²]	24 ¹⁾ / 2.5
Rated cross section	[mm ²]	2.5
Cross section range	AWG	28 - 12
Connection capacity		
1 conductor	[mm ²]	0.08 - 4
Two stranded conductors with a TWIN ferrule	[mm ²]	0.08 - 2.5
General data		
Stripping length	[mm]	10
Insulating material		PA
Inflammability class according to UL 94		V0

Technical data			
Width	Length	Height	
5.2 x No. of pos.	37.2	18.8	
I _{max.} [A]	U _{max.} [V]	max. Ø [mm ²]	AWG
24 ¹⁾	500	0.08 - 4	28 - 12
IEC 61984	UL/CUL	CSA	IEC/ EN 60079-7
500	300	-	-
24 ¹⁾ / 2.5	20 / -	-	-
2.5	-	-	-
28 - 12	26-12	-	-
Connection capacity		Ferrule	
solid	stranded	Without / with plastic sleeve	
0.08 - 4	0.08 - 2.5	0.14 - 2.5	
		0.5	
Ordering data			
Description		Type	Order No.
No. of pos.	Color		Pcs. / Pkt.
COMBI coupling, with a spring-cage connection			
2	gray	SC 2,5/ 2	3041312
3	gray	SC 2,5/ 3	3042269
4	gray	SC 2,5/ 4	3042272
5	gray	SC 2,5/ 5	3042285
6	gray	SC 2,5/ 6	3042298
7	gray	SC 2,5/ 7	3041367
8	gray	SC 2,5/ 8	3042308
9	gray	SC 2,5/ 9	3041383
10	gray	SC 2,5/10	3042311
11	gray	SC 2,5/11	3041406
12	gray	SC 2,5/12	3042324
13	gray	SC 2,5/13	3041422
14	gray	SC 2,5/14	3041435
15	gray	SC 2,5/15	3041448

Technical data			
Width	Length	Height	
6.2 x No. of pos.	48.6	22.3	
I _{max.} [A]	U _{max.} [V]	max. Ø [mm ²]	AWG
32 ¹⁾	800	0.08 - 6	28 - 12
IEC 61984	UL/CUL	CSA	IEC/ EN 60079-7
800	600	-	-
32 ¹⁾ / 4	30 / -	-	-
4	-	-	-
28 - 12	28-10	-	-
Connection capacity		Ferrule	
solid	stranded	Without / with plastic sleeve	
0.08 - 6	0.08 - 4	0.14 - 4	
		0.14 - 4	
		0.5 - 1	
Ordering data			
Description		Type	Order No.
No. of pos.	Color		Pcs. / Pkt.
COMBI coupling, with a spring-cage connection			
2	gray	SC 4/ 2	3042450
3	gray	SC 4/ 3	3042463
4	gray	SC 4/ 4	3042476
5	gray	SC 4/ 5	3042489
6	gray	SC 4/ 6	3042492
7	gray	SC 4/ 7	3042502
8	gray	SC 4/ 8	3042515
9	gray	SC 4/ 9	3042528
10	gray	SC 4/10	3042531
11	gray	SC 4/11	3042544
12	gray	SC 4/12	3042557
13	gray	SC 4/13	3042560
14	gray	SC 4/14	3042573
15	gray	SC 4/15	3042586

Description		No. of pos.	Color
COMBI coupling, with a spring-cage connection			
		2	gray
		3	gray
		4	gray
		5	gray
		6	gray
		7	gray
		8	gray
		9	gray
		10	gray
		11	gray
		12	gray
		13	gray
		14	gray
		15	gray
COMBI coupling, with a spring-cage connection			
		2	gray
		3	gray
		4	gray
		5	gray
		6	gray
		7	gray
		8	gray
		9	gray
		10	gray
		11	gray
		12	gray
		13	gray
		14	gray
		15	gray

Ordering data		
Type	Order No.	Pcs. / Pkt.
Accessories		
MPS-MT	0201744	10
MPS-IH RD	0201676	10
PDZ/2	3040562	50
PC	3040588	50
UC-TMF 5, UCT-TMF 5 or ZBF 5 (see Catalog 5)		

Ordering data		
Type	Order No.	Pcs. / Pkt.
Accessories		
MPS-MT	0201744	10
MPS-IH RD	0201676	10
CZ/2	3043831	50
PC	3040588	50
UC-TMF 6, UCT-TMF 6 or ZBF 6 (see Catalog 5)		

Test plug metal part, 2.3 mm Ø	
Insulating sleeve, for MPS metal part	red
Strain relief, for SPDB... plug and SC 2,5... coupling 2-pos.	black
Coding star, with 4 coding branches, can be inserted in all basic terminal blocks	red

MPS-MT	0201744	10
MPS-IH RD	0201676	10
PDZ/2	3040562	50
PC	3040588	50

MPS-MT	0201744	10
MPS-IH RD	0201676	10
CZ/2	3043831	50
PC	3040588	50

Lateral groove labeling

UC-TMF 5, UCT-TMF 5 or ZBF 5 (see Catalog 5)

UC-TMF 6, UCT-TMF 6 or ZBF 6 (see Catalog 5)

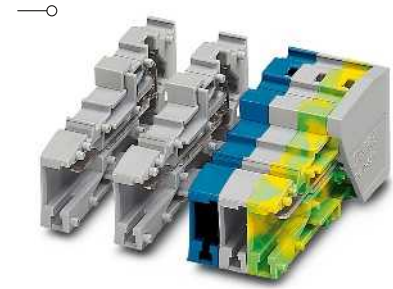
COMBI couplings with spring-cage connection for self-assembly

- The ST-COMBI couplings for self-assembly provide solutions that users can implement themselves
- The coupling is assembled directly on site by snapping together single-position coupling elements

Notes:
 1) For derating curve, visit www.phoenixcontact.net/products



2.5 (4) mm², 24 A, coupling, for self-assembly



4 (6) mm², 32 A, coupling, for self-assembly



Technical data				
Width	Length	Height		
5.2	37.2	21.8		
I _{max} [A]	U _{max} [V]	max. Ø [mm ²]	AWG	
24 ¹⁾	500	0.08 - 4	28 - 12	
IEC 61984				
IEC	UL/CUL	CSA	IEC/EN 60079-7	
Rated voltage [V]	300	-	-	
Nominal current / cross section [A] / [mm ²]	24 ¹⁾ / 2.5	20 / -	-	
Rated cross section [mm ²]	2.5	-	-	
Cross section range AWG	28 - 12	26-12	-	
Connection capacity				
1 conductor	solid	stranded	Ferrule	
Two stranded conductors with a TWIN ferrule	0.08 - 4	0.08 - 2.5	Without / with plastic sleeve	
			0.14 - 2.5 0.14 - 2.5 0.5	
General data				
Stripping length [mm]	10			
Insulating material	PA			
Inflammability class according to UL 94	V0			



Technical data				
Width	Length	Height		
6.2	48.6	22.3		
I _{max} [A]	U _{max} [V]	max. Ø [mm ²]	AWG	
32 ¹⁾	800	0.08 - 6	28 - 10	
IEC 61984				
IEC	UL/CUL	CSA	IEC/EN 60079-7	
Rated voltage [V]	600	-	-	
Nominal current / cross section [A] / [mm ²]	32 ¹⁾ / 4	30 / -	-	
Rated cross section [mm ²]	4	-	-	
Cross section range AWG	28 - 10	28-10	-	
Connection capacity				
1 conductor	solid	stranded	Ferrule	
Two stranded conductors with a TWIN ferrule	0.08 - 6	0.08 - 4	Without / with plastic sleeve	
			0.14 - 4 0.14 - 4 0.5 - 1	
General data				
Stripping length [mm]	10			
Insulating material	PA			
Inflammability class according to UL 94	V0			

Ordering data			
Type	Order No.	Pcs. / Pkt.	
SC 2,5/ 1-L	3042188	50	
SC 2,5/ 1-L BU	3042191	50	
SC 2,5/ 1-L GNYE	3042201	50	

Ordering data			
Type	Order No.	Pcs. / Pkt.	
SC 4/ 1-L	3042599	50	
SC 4/ 1-L BU	3042609	50	
SC 4/ 1-L GNYE	3042612	50	

Accessories			
D-SC 2,5	3042243	50	
MPS-MT	0201744	10	
MPS-IH RD	0201676	10	
PDZ/2	3040562	50	
PDZ/4	3040575	50	
PC	3040588	50	
SZF 1-0,6X3,5	1204517	10	

Accessories			
D-SC 4	3043307	50	
ISH 4/0,5	3002885	50	
ISH 4/1,0	3002898	50	
MPS-MT	0201744	10	
MPS-IH RD	0201676	10	
CZ/2	3043831	50	
PC	3040588	50	
SZF 1-0,6X3,5	1204517	10	

UC-TMF 5, UCT-TMF 5 or ZBF 5 (see Catalog 5)

UC-TMF 6, UCT-TMF 6 or ZBF 6 (see Catalog 5)

Description	No. of pos.	Width	Color
COMBI coupling, with a spring-cage connection			
	1	5.2 mm	gray
	1	5.2 mm	blue
	1	5.2 mm	green-yellow
COMBI coupling, with a spring-cage connection			
	1	6.2 mm	gray
	1	6.2 mm	blue
	1	6.2 mm	green-yellow

Cover, width 2.2 mm	gray
Insulation stop sleeve, cross section range: 0.25 - 0.5 mm ²	gray
0.75 - 1 mm ²	black
Test plug metal part, 2.3 mm Ø	
Insulating sleeve, for MPS metal part	red
Strain relief, for SPDB... plug and SC 2,5... coupling 2-pos.	black
4-pos.	black
Coding star, with 4 coding branches, can be inserted in all basic terminal blocks	red
Screwdriver	

Lateral groove labeling

COMBI plug-in connection solutions

COMBI couplings with a spring-cage connection for direct mounting



- COMBI coupling for direct mounting
- Using an engagement pin, these couplings can be plugged directly into the pre-drilled or punched mounting plate
- To ensure a secure fit, the bore holes must be burr-free

Notes:
1) For derating curve, visit www.phoenixcontact.net/products



2.5 (4) mm², 24 A, coupling with engagement pins, 2 to 15-pos.



Dimensions		[mm]	
Max. electrical data			
Rated data			
Rated voltage	[V]	500	300
Nominal current / cross section	[A] / [mm ²]	24 ¹⁾ / 2.5	20 / -
Rated cross section	[mm ²]	2.5	-
Cross section range	AWG	28 - 12	26-12
Connection capacity			
1 conductor	[mm ²]	0.08 - 4	0.08 - 2.5
Two stranded conductors with a TWIN ferrule	[mm ²]		0.14 - 2.5
General data			
Stripping length	[mm]	10	
Plate thickness	[mm]	0.8 - 1.5	
Hole diameter	[mm]	3.5	
Drill hole spacing	[mm]	5.2	
Insulating material		PA	
Inflammability class according to UL 94		V0	

Technical data			
Width	Length	Height	
5.2 x No. of pos.	37.2	21.8	
I _{max.} [A]	U _{max.} [V]	max. Ø [mm ²]	AWG
24 ¹⁾	500	0.08 - 4	28 - 12
IEC 61984			
IEC	UL/CUL	CSA	IEC/EN 60079-7
Connection capacity			
		Ferrule	
		Without / with plastic sleeve	
0.08 - 4	0.08 - 2.5	0.14 - 2.5	0.14 - 2.5
		0.5	

Description	No. of pos.	Color
COMBI coupling , with a spring-cage connection, with engagement pins	2	gray
	3	gray
	4	gray
	5	gray
	6	gray
	7	gray
	8	gray
	9	gray
	10	gray
	11	gray
	12	gray
	13	gray
	14	gray

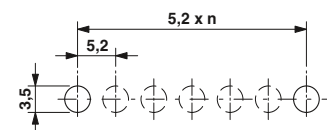
Ordering data		
Type	Order No.	Pcs. / Pkt.
SC 2,5-RZ/ 2	3041516	50
SC 2,5-RZ/ 3	3041529	50
SC 2,5-RZ/ 4	3041532	50
SC 2,5-RZ/ 5	3041545	50
SC 2,5-RZ/ 6	3041558	25
SC 2,5-RZ/ 7	3041561	25
SC 2,5-RZ/ 8	3041574	25
SC 2,5-RZ/ 9	3041590	25
SC 2,5-RZ/10	3041587	25
SC 2,5-RZ/11	3041600	10
SC 2,5-RZ/12	3041613	10
SC 2,5-RZ/13	3041626	10
SC 2,5-RZ/14	3041639	10

Strain relief , for SPDB... plug and SC 2,5... coupling 2-pos.	black
Coding star , with 4 coding branches, can be inserted in all basic terminal blocks	red

Accessories		
Type	Order No.	Pcs. / Pkt.
PDZ/2	3040562	50
PC	3040588	50

Lateral groove labeling

UC-TMF 5, UCT-TMF 5 or ZBF 5 (see Catalog 5)



Drilling plan example: 1 x SC 2,5-RZ/ 6

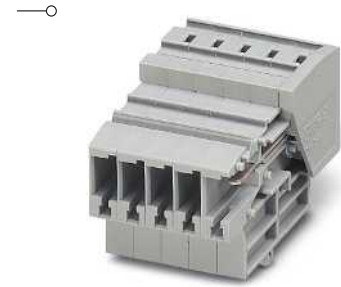
COMBI plug-in connection solutions

COMBI couplings with a spring-cage connection for direct mounting



- COMBI coupling for direct mounting
- Using an engagement pin, these couplings can be plugged directly into the pre-drilled or punched mounting plate
- To ensure a secure fit, the bore holes must be burr-free

Notes:
1) For derating curve, visit www.phoenixcontact.net/products



4 (6) mm², 32 A, coupling with engagement pins, 2 to 15-pos.



Dimensions		[mm]
Max. electrical data		
Rated data		
Rated voltage	[V]	800
Nominal current / cross section	[A] / [mm ²]	32 ¹⁾ / 4
Rated cross section	[mm ²]	4
Cross section range	AWG	28 - 10
Connection capacity		
1 conductor	[mm ²]	0.08 - 6
Two stranded conductors with a TWIN ferrule	[mm ²]	0.08 - 4
General data		
Stripping length	[mm]	10
Plate thickness	[mm]	0.8 - 1.5
Hole diameter	[mm]	3.5
Drill hole spacing	[mm]	6.2
Insulating material		PA
Inflammability class according to UL 94		V0

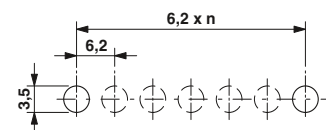
Technical data			
Width	Length	Height	
6.2 x No. of pos.	48.6	31	
I _{max.} [A]	U _{max.} [V]	max. Ø [mm ²]	AWG
32 ¹⁾	800	0.08 - 6	28 - 10
IEC 61984			
IEC	UL/CUL	CSA	IEC/EN 60079-7
800	600	-	-
32 ¹⁾ / 4	30 / -	-	-
4	-	-	-
28 - 10	28-10	-	-
Connection capacity			
		Ferrule	
		Without / with plastic sleeve	
0.08 - 6	0.08 - 4	0.14 - 4	0.14 - 4
		0.5 - 1	

Description	No. of pos.	Color
COMBI coupling , with a spring-cage connection, with engagement pins		
	2	gray
	3	gray
	4	gray
	5	gray
	6	gray
	7	gray
	8	gray
	9	gray
	10	gray
	11	gray
	12	gray
	13	gray
	14	gray
	15	gray

Ordering data		
Type	Order No.	Pcs. / Pkt.
SC 4-RZ/ 2	3042625	50
SC 4-RZ/ 3	3042638	50
SC 4-RZ/ 4	3042641	50
SC 4-RZ/ 5	3042654	50
SC 4-RZ/ 6	3042667	25
SC 4-RZ/ 7	3042670	25
SC 4-RZ/ 8	3042683	25
SC 4-RZ/ 9	3042696	25
SC 4-RZ/10	3042706	25
SC 4-RZ/11	3043323	10
SC 4-RZ/12	3043336	10
SC 4-RZ/13	3043349	10
SC 4-RZ/14	3043352	10
SC 4-RZ/15	3043365	10

Strain relief , for SC 4... coupling, 2-pos.	black
Coding star , with 4 coding branches, can be inserted in all basic terminal blocks	red
Lateral groove labeling	

Accessories		
CZ/2	3043831	50
PC	3040588	50
UC-TMF 6, UCT-TMF 6 or ZBF 6 (see Catalog 5)		

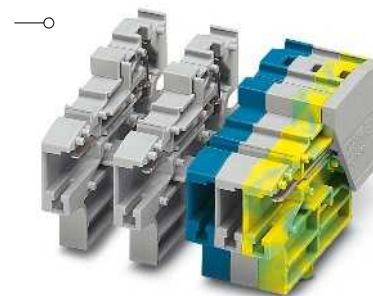


Drilling plan example: 1 x SC 4-RZ/ 6

COMBI couplings with a spring-cage connection for self-assembly for direct mounting

- Types for self-assembly offer the option of direct mounting
- Using an engagement pin, these couplings can be plugged directly into the pre-drilled or punched mounting plate
- To ensure a secure fit, the bore holes must be burr-free

Notes:
 1) For derating curve, visit www.phoenixcontact.net/products



4 (6) mm², 32 A, coupling with engagement pins, for self-assembly



Dimensions		[mm]
Max. electrical data		
Rated data		
Rated voltage	[V]	800
Nominal current / cross section	[A] / [mm ²]	32 ¹⁾ / 4
Rated cross section	[mm ²]	4
Cross section range	AWG	28 - 10
Connection capacity		
1 conductor	[mm ²]	0.08 - 6
Two stranded conductors with a TWIN ferrule	[mm ²]	0.08 - 4
General data		
Stripping length	[mm]	10
Plate thickness	[mm]	0.8 - 1.5
Hole diameter	[mm]	3.5
Drill hole spacing	[mm]	6.2
Insulating material		PA
Inflammability class according to UL 94		V0

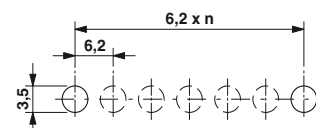
Technical data			
Width	Length	Height	
6.2	48.6	31	
I_{max} [A]	U_{max} [V]	max. Ø [mm ²]	AWG
32 ¹⁾	800	0.08 - 6	28 - 10
IEC 61984			
IEC	UL/CUL	CSA	IEC/EN 60079-7
800	600	-	-
32 ¹⁾ / 4	30 / -	-	-
4	-	-	-
28 - 10	28-10	-	-
solid		stranded Ferrule	
		Without / with plastic sleeve	
0.08 - 6	0.08 - 4	0.14 - 4	0.14 - 4
		0.5 - 1	

Description	No. of pos.	Width	Color
COMBI coupling , with a spring-cage connection, with engagement pins	1	6.2 mm	gray
	1	6.2 mm	blue
	1	6.2 mm	green-yellow

Ordering data		
Type	Order No.	Pcs. / Pkt.
SC 4-RZ/ 1-L	3043378	50
SC 4-RZ/ 1-L BU	3043381	50
SC 4-RZ/ 1-L GNYE	3043394	50

Cover	gray
Insulation stop sleeve , cross section range: 0.25 - 0.5 mm ²	gray
0.75 - 1 mm ²	black
Test plug metal part , 2.3 mm Ø	
Insulating sleeve , for MPS metal part	red
Strain relief , for SC 4... coupling, 2-pos.	black
Coding star , with 4 coding branches, can be inserted in all basic terminal blocks	red
Lateral groove labeling	

Accessories		
Type	Order No.	Pcs. / Pkt.
D-SC 4	3043307	50
ISH 4/0,5	3002885	50
ISH 4/1,0	3002898	50
MPS-MT	0201744	10
MPS-IH RD	0201676	10
CZ/2	3043831	50
PC	3040588	50
UC-TMF 6, UCT-TMF 6 or ZBF 6 (see Catalog 5)		

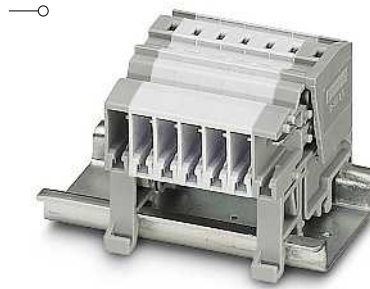


Drilling plan example: 6 x SC 4-RZ/ 1-L

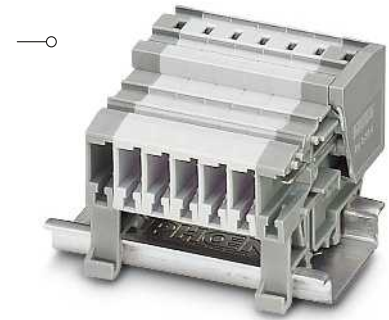
COMBI plug-in connection solutions

COMBI couplings for self-assembly DIN rail mounting

- The couplings with spring-cage connection for DIN rail mounting offer the optimum solution for applications where only a low design height is available
- The terminal blocks are snapped onto the SC... free-hanging couplings as modules and can be used both on NS 15 and NS 35 DIN rails



2.5 (4) mm², 24 A, coupling for DIN rail mounting



4 (6) mm², 32 A, coupling for DIN rail mounting

Notes:
1) For derating curve, visit www.phoenixcontact.net/products



Technical data				
Width	Length	Height NS 35/7,5		
5.2	43.5	34		
Width	Length	Height NS 15		
5.2	43.5	34		
I_{max} [A]	U_{max} [V]	max. Ø [mm ²]	AWG	
24 ¹⁾	500	0.08 - 4	28 - 12	
IEC 61984	UL/CUL	CSA	IEC/ EN 60079-7	
Rated voltage [V]	500	300	-	-
Nominal current / cross section [A] / [mm ²]	24 ¹⁾ / 2.5	20 / -	-	-
Rated cross section [mm ²]	2.5	-	-	-
Cross section range AWG	28 - 12	26-12	-	-
Connection capacity	solid	stranded	Ferrule	
			Without / with plastic sleeve	
1 conductor [mm ²]	0.08 - 4	0.08 - 2.5	0.14 - 2.5	0.14 - 2.5
Two stranded conductors with a TWIN ferrule [mm ²]				0.5
General data				
Stripping length [mm]	10			
Insulating material	PA			
Inflammability class according to UL 94	V0			



Technical data				
Width	Length	Height NS 35/7,5		
6.2	48.6	35.6		
Width	Length	Height NS 15		
6.2	48.6	35.6		
I_{max} [A]	U_{max} [V]	max. Ø [mm ²]	AWG	
32 ¹⁾	800	0.08 - 6	28 - 10	
IEC 61984	UL/CUL	CSA	IEC/ EN 60079-7	
Rated voltage [V]	800	600	-	-
Nominal current / cross section [A] / [mm ²]	32 ¹⁾ / 4	30 / -	-	-
Rated cross section [mm ²]	4	-	-	-
Cross section range AWG	28 - 10	28-10	-	-
Connection capacity	solid	stranded	Ferrule	
			Without / with plastic sleeve	
1 conductor [mm ²]	0.08 - 6	0.08 - 4	0.14 - 4	0.14 - 4
Two stranded conductors with a TWIN ferrule [mm ²]				0.5 - 1
General data				
Stripping length [mm]	10			
Insulating material	PA			
Inflammability class according to UL 94	V0			

Ordering data			
Description	Color	Type	Order No.
COMBI coupling, with a spring-cage connection for mounting on the NS 35 or NS 15 DIN rail	gray	SC 2,5-NS/ 1-L	3042340
			Pcs. / Pkt. 50

Ordering data			
Description	Color	Type	Order No.
COMBI coupling, with a spring-cage connection for mounting on the NS 35 or NS 15 DIN rail	gray	SC 4-NS/ 1-L	3043404
			Pcs. / Pkt. 50

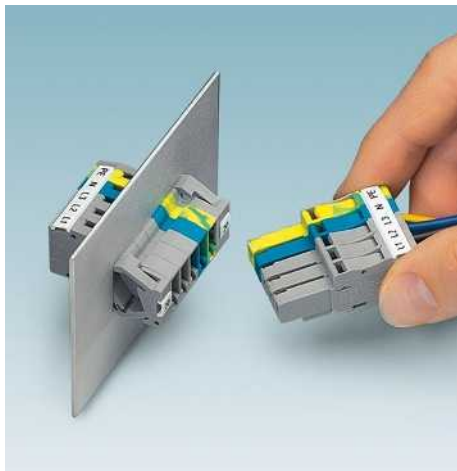
Accessories			
Cover, width 2.2 mm	gray	D-SC 2,5	3042243 50
Insulation stop sleeve, cross section range:			
0.08 - 0.2 mm ²	white	ISH 2,5/0,2	3002843 50
0.25 - 0.5 mm ²	gray	ISH 2,5/0,5	3002856 50
0.75 - 1 mm ²	black	ISH 2,5/1,0	3002869 50
Test plug metal part, 2.3 mm Ø		MPS-MT	0201744 10
Insulating sleeve, for MPS metal part	red	MPS-IH RD	0201676 10
Strain relief, for SPDB... plug and SC 2,5... coupling 2-pos. 4-pos.	black	PDZ/2	3040562 50
	black	PDZ/4	3040575 50
Coding star, with 4 coding branches, can be inserted in all basic terminal blocks	red	PC	3040588 50
Screwdriver		SZF 1-0,6X3,5	1204517 10

Accessories			
Cover, width 2.2 mm	gray	D-SC 4	3043307 50
Insulation stop sleeve, cross section range:			
0.08 - 0.2 mm ²	white	ISH 4/0,5	3002885 50
0.25 - 0.5 mm ²	gray	ISH 4/1,0	3002898 50
0.75 - 1 mm ²	black	ISH 4/1,0	3002898 50
Test plug metal part, 2.3 mm Ø		MPS-MT	0201744 10
Insulating sleeve, for MPS metal part	red	MPS-IH RD	0201676 10
Strain relief, for SPDB... plug and SC 2,5... coupling 2-pos. 4-pos.	black	CZ/2	3043831 50
Coding star, with 4 coding branches, can be inserted in all basic terminal blocks	red	PC	3040588 50
Screwdriver		SZF 1-0,6X3,5	1204517 10

UC-TMF 5, UCT-TMF 5 or ZBF 5 (see Catalog 5)

UC-TMF 6, UCT-TMF 6 or ZBF 6 (see Catalog 5)

Panel feed-through for COMBI couplings



Snapping the coupling onto the SSL 2,5 panel feed-through



Panel feed-through

- The panel feed-through can be used to securely fasten SC 2,5 and SC 4 free-hanging couplings in panel cutouts
- The panel feed-through elements are snapped onto the free-hanging couplings, and pushed into the panel cutout where they snap in automatically
- The coupling is finally fixed in place by pressing shut the panel feed-through actuation lever
- Can be used for plate thicknesses of 0.8 mm to 3 mm

Making the panel cutout

- The panel cutout is easy to produce. The height of the rectangular cutout is always the same, and the length depends on the number of positions of the coupling. There is no longer any need for additional bore holes for fixing screws as in previously typical solutions.

General data	
Plate thickness	[mm] 0.8 - 3
Section height	[mm] 16.6
Section width	[mm] 5.15 x number of positions + 13 (SC 2,5) 6.15 x number of positions + 14 (SC 4)
Insulating material	PA
Inflammability class according to UL 94	V0

Description	Color
Panel feed-through, for snapping on to receptacles, 1 SSL 2,5 consists of a left-hand and a right-hand element, for metal thicknesses of 0.8 - 3 mm	gray

Coding star, with 4 coding branches, can be inserted in all basic terminal blocks	red
Screwdriver	

Lateral groove labeling

Technical data		
----------------	--	--

Plate thickness	[mm] 0.8 - 3
Section height	[mm] 16.6
Section width	[mm] 5.15 x number of positions + 13 (SC 2,5) 6.15 x number of positions + 14 (SC 4)
Insulating material	PA
Inflammability class according to UL 94	V0

Ordering data		
---------------	--	--

Type	Order No.	Pcs. / Pkt.
SSL 2,5	3043815	50

Accessories		
-------------	--	--

PC	3040588	50
SZF 1-0,6X3,5	1204517	10
UC-TMF 5, UCT-TMF 5 or ZBF 5 (see Catalog 5)		



Mounting the coupling and SSL 2,5 in the panel cutout



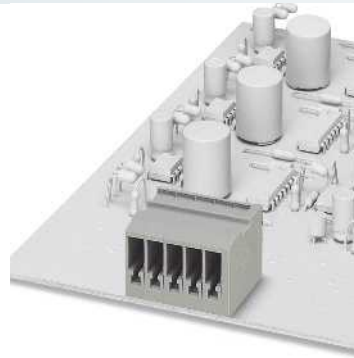
Fixing the coupling

Modular terminal blocks - CLIPLINE complete

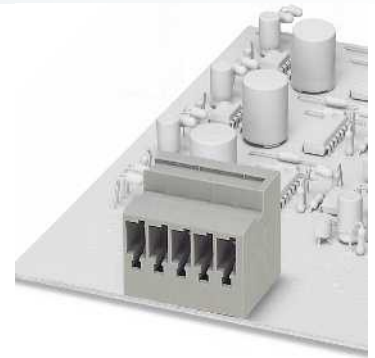
COMBI plug-in connection solutions

COMBI base strips for PCB connection

- The pitch width of this base strip is matched to that of the COMBI plug
- Universal plug-in solutions from the DIN rail through to the device can be implemented with the same connector



2.5 (2.5) mm², 24 A, base strip, horizontal, 2 to 12-pos.



4 (4) mm², 32 A, base strip, horizontal, 2 to 12-pos.



Max. electrical data	
Rated voltage	[V]
Nominal current / cross section	[A] / [mm ²]
Rated cross section	[mm ²]
General data	
Hole diameter	[mm]
Pin dimensions	[mm]
Insulating material	
Inflammability class according to UL 94	

Technical data			
I _{max.} [A]	U _{max.} [V]	max. Ø [mm ²]	AWG
24	500	-	-
IEC	UL/CUL	CSA	IEC/EN 60079-7
500	300	-	-
24 / 2.5	15 / -	-	-
2.5	-	-	-
1.6	1 x 1	PA	V0

Technical data			
I _{max.} [A]	U _{max.} [V]	max. Ø [mm ²]	AWG
32	800	-	-
IEC	UL/CUL	CSA	IEC/EN 60079-7
800	600	-	-
32 / 4	20 / -	-	-
4	-	-	-
2	1.2 x 1.3	PA	V0

Description	No. of pos.	Width	Color
ST-COMBI coupling, plug-in direction horizontal to the PCB			
	2	10.4 mm	gray
	3	15.6 mm	gray
	4	20.8 mm	gray
	5	26 mm	gray
	6	31.2 mm	gray
	7	36.4 mm	gray
	8	41.6 mm	gray
	9	46.8 mm	gray
	10	52 mm	gray
	11	57.2 mm	gray
	12	62.4 mm	gray
ST-COMBI coupling, plug-in direction horizontal to the PCB			
	2	12.4 mm	gray
	3	18.9 mm	gray
	4	24.8 mm	gray
	5	31 mm	gray
	6	37.2 mm	gray
	7	43.4 mm	gray
	8	49.6 mm	gray
	9	55.8 mm	gray
	10	62 mm	gray
	11	68.2 mm	gray
	12	74.4 mm	gray

Ordering data		
Type	Order No.	Pcs. / Pkt.
ST 2,5-PCB/ 2-G-5,2	1980378	50
ST 2,5-PCB/ 3-G-5,2	1980381	50
ST 2,5-PCB/ 4-G-5,2	1980394	50
ST 2,5-PCB/ 5-G-5,2	1980404	50
ST 2,5-PCB/ 6-G-5,2	1980417	50
ST 2,5-PCB/ 7-G-5,2	1980420	50
ST 2,5-PCB/ 8-G-5,2	1980433	50
ST 2,5-PCB/ 9-G-5,2	1980446	50
ST 2,5-PCB/10-G-5,2	1980459	50
ST 2,5-PCB/11-G-5,2	1980462	50
ST 2,5-PCB/12-G-5,2	1980475	50

Ordering data		
Type	Order No.	Pcs. / Pkt.
ST 4-PCB/ 2-G-6,2	1980598	50
ST 4-PCB/ 3-G-6,2	1980608	50
ST 4-PCB/ 4-G-6,2	1980611	50
ST 4-PCB/ 5-G-6,2	1980624	50
ST 4-PCB/ 6-G-6,2	1980637	50
ST 4-PCB/ 7-G-6,2	1980640	50
ST 4-PCB/ 8-G-6,2	1980653	50
ST 4-PCB/ 9-G-6,2	1980666	50
ST 4-PCB/10-G-6,2	1980679	50
ST 4-PCB/11-G-6,2	1980682	50
ST 4-PCB/12-G-6,2	1980695	50

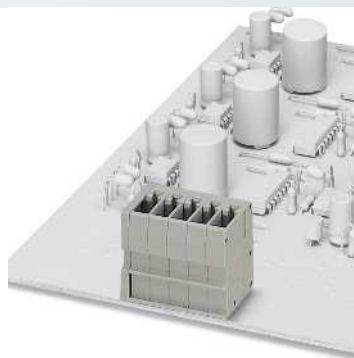
Accessories	
Coding star, with 4 coding branches, can be inserted in all basic terminal blocks	red
Lateral groove labeling	

Accessories		
PC	3040588	50
UC-TMF 5, UCT-TMF 5 or ZBF 5 (see Catalog 5)		

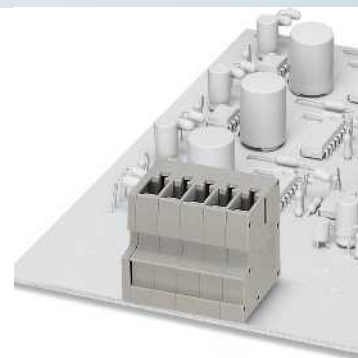
Accessories		
PC	3040588	50
UC-TMF 6, UCT-TMF 6 or ZBF 6 (see Catalog 5)		

COMBI base strips for PCB connection

- The pitch width of this base strip is matched to that of the COMBI plug
- Universal plug-in solutions from the DIN rail through to the device can be implemented with the same connector



2.5 (2.5) mm², 24 A, base strip, vertical, 2 to 12-pos.



4 (4) mm², 32 A, base strip, vertical, 2 to 12-pos.



Technical data				
	I _{max.} [A]	U _{max.} [V]	max. Ø [mm ²]	AWG
Max. electrical data	24	500	-	-
Rated data	IEC	UL/CUL	CSA	IEC/EN 60079-7
Rated voltage [V]	500	300	-	-
Nominal current / cross section [A] / [mm ²]	24 / 2.5	15 / -	-	-
Rated cross section [mm ²]	2.5	-	-	-
General data				
Hole diameter [mm]	1.6			
Pin dimensions [mm]	1 x 1			
Insulating material	PA			
Inflammability class according to UL 94	V0			



Technical data				
	I _{max.} [A]	U _{max.} [V]	max. Ø [mm ²]	AWG
Max. electrical data	32	800	-	-
Rated data	IEC	UL/CUL	CSA	IEC/EN 60079-7
Rated voltage [V]	800	600	-	-
Nominal current / cross section [A] / [mm ²]	32 / 4	20 / -	-	-
Rated cross section [mm ²]	4	-	-	-
General data				
Hole diameter [mm]	2			
Pin dimensions [mm]	1.2 x 1.3			
Insulating material	PA			
Inflammability class according to UL 94	V0			

Ordering data

Type	Order No.	Pcs. / Pkt.
ST 2,5-PCBV/ 2-G-5,2	1980488	50
ST 2,5-PCBV/ 3-G-5,2	1980491	50
ST 2,5-PCBV/ 4-G-5,2	1980501	50
ST 2,5-PCBV/ 5-G-5,2	1980514	50
ST 2,5-PCBV/ 6-G-5,2	1980527	50
ST 2,5-PCBV/ 7-G-5,2	1980530	50
ST 2,5-PCBV/ 8-G-5,2	1980543	50
ST 2,5-PCBV/ 9-G-5,2	1980556	50
ST 2,5-PCBV/10-G-5,2	1980569	50
ST 2,5-PCBV/11-G-5,2	1980572	50
ST 2,5-PCBV/12-G-5,2	1980585	50

Ordering data

Type	Order No.	Pcs. / Pkt.
ST 4-PCBV/ 2-G-6,2	1980705	50
ST 4-PCBV/ 3-G-6,2	1980718	50
ST 4-PCBV/ 4-G-6,2	1980721	50
ST 4-PCBV/ 5-G-6,2	1980734	50
ST 4-PCBV/ 6-G-6,2	1980747	50
ST 4-PCBV/ 7-G-6,2	1980750	50
ST 4-PCBV/ 8-G-6,2	1980763	50
ST 4-PCBV/ 9-G-6,2	1980776	50
ST 4-PCBV/10-G-6,2	1980789	50
ST 4-PCBV/11-G-6,2	1980792	50
ST 4-PCBV/12-G-6,2	1980802	50

Accessories

PC	3040588	50
----	---------	----

Accessories

PC	3040588	50
----	---------	----

UC-TMF 5, UCT-TMF 5 or ZBF 5 (see Catalog 5)

UC-TMF 6, UCT-TMF 6 or ZBF 6 (see Catalog 5)

Max. electrical data	
Rated data	
Rated voltage [V]	500
Nominal current / cross section [A] / [mm ²]	24 / 2.5
Rated cross section [mm ²]	2.5
General data	
Hole diameter [mm]	1.6
Pin dimensions [mm]	1 x 1
Insulating material	PA
Inflammability class according to UL 94	V0

Description	No. of pos.	Width	Color
ST-COMBI coupling, plug-in direction vertical to the PCB			
	2	10.4 mm	gray
	3	15.6 mm	gray
	4	20.8 mm	gray
	5	26 mm	gray
	6	31.2 mm	gray
	7	36.4 mm	gray
	8	41.6 mm	gray
	9	46.8 mm	gray
	10	52 mm	gray
	11	57.2 mm	gray
	12	62.4 mm	gray

ST-COMBI coupling, plug-in direction vertical to the PCB			
	2	12.4 mm	gray
	3	18.6 mm	gray
	4	24.8 mm	gray
	5	31 mm	gray
	6	37.2 mm	gray
	7	43.4 mm	gray
	8	49.6 mm	gray
	9	55.8 mm	gray
	10	62 mm	gray
	11	68.2 mm	gray
	12	74.4 mm	gray

Coding star, with 4 coding branches, can be inserted in all basic terminal blocks red

Lateral groove labeling

COMBI plug-in connection solutions

COMBI plugs with a screw connection



- Just like the basic terminal blocks, the connectors also offer the right connection method for every application
- Extensive, optional snap-on accessories available
- Practical coding facility
- Large labeling option
- The screw plugs can be combined with COMBI terminal blocks with all forms of connection technology and are available in two versions

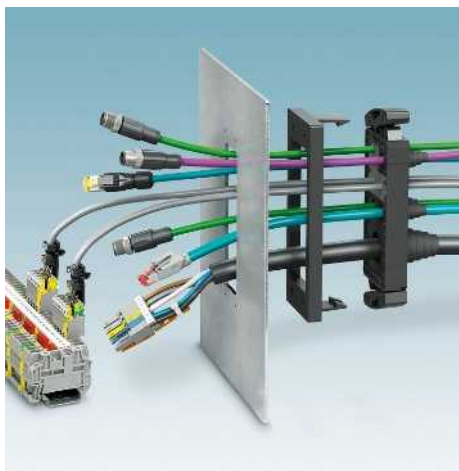
UPBV ... plugs

- Bridgeable with FBS ... standard bridges
- Lateral conductor connection
- Screw actuation from above
- The connected conductors can be passed directly into the cable duct to save space

UP ... plugs

- Screw actuation from the side
- Conductor connected from above
- The connector design enables a space-saving potential distribution by using four-conductor terminal blocks with 2 slots

Cable entry system



– The CES cable entry system (see Catalog 4) enables the easy and space-saving installation of pre-assembled cables with IP54/IP65 protection in the control cabinet, see figure below

Notes:
For further accessories, see page 428.
For more plug-in bridges, see page 472.
¹⁾ For derating curve, visit www.phoenixcontact.net/products



2.5 (4) mm², 24 A, plug, connection at a right angle to the plug-in direction, can be bridged



Dimensions		[mm]	
Max. electrical data			
Rated data			
Rated voltage	[V]	500	600
Nominal current / cross section	[A] / [mm ²]	24 ¹⁾ / 2.5	20 / -
Rated cross section	[mm ²]	2.5	-
Cross section range	AWG	26 - 12	26-12
Connection capacity			
1 conductor	[mm ²]	0.14 - 4	0.14 - 4
Two conductors (of the same type)	[mm ²]	0.14 - 1.5	0.14 - 1.5
Two stranded conductors with a TWIN ferrule	[mm ²]		0.14 - 1.5
General data			
Stripping length	[mm]	9	
Screw thread		M3	
Tightening torque	[Nm]	0.5 - 0.6	
Insulating material		PA	
Inflammability class according to UL 94		V0	

Technical data			
Width	Length	Height	Height when plugged in
5.2 x No. of pos.	20.5	47	32.2
I _{max} [A]	U _{max} [V]	max. Ø [mm ²]	AWG
24 ¹⁾	500	0.14 - 4	26 - 12
IEC 61984			
IEC	UL/CUL	CSA	IEC/EN 60079-7
Rated voltage	[V]	500	600
Nominal current / cross section	[A] / [mm ²]	24 ¹⁾ / 2.5	20 / -
Rated cross section	[mm ²]	2.5	-
Cross section range	AWG	26 - 12	26-12
Connection capacity		Ferrule	
		Without / with plastic sleeve	
1 conductor	[mm ²]	0.14 - 4	0.14 - 4
Two conductors (of the same type)	[mm ²]	0.14 - 1.5	0.14 - 1.5
Two stranded conductors with a TWIN ferrule	[mm ²]		0.14 - 1.5
General data			
Stripping length	[mm]	9	
Screw thread		M3	
Tightening torque	[Nm]	0.5 - 0.6	
Insulating material		PA	
Inflammability class according to UL 94		V0	

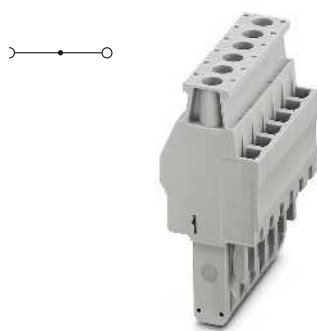
Ordering data		
Description	No. of pos.	Color
COMBI plug, with a screw connection		
	1	gray
	2	gray
	3	gray
	4	gray
	5	gray
	6	gray
	7	gray
	8	gray
	9	gray
	10	gray
	11	gray
	12	gray
	13	gray
	14	gray
	15	gray
	1	blue
	1	green-yellow

Type	I _{max}	Order No.	Pcs. / Pkt.
UPBV 2,5/ 1		3045145	50
UPBV 2,5/ 2		3045402	50
UPBV 2,5/ 3		3045415	50
UPBV 2,5/ 4		3045428	50
UPBV 2,5/ 5		3045431	50
UPBV 2,5/ 6		3045444	25
UPBV 2,5/ 7		3045457	25
UPBV 2,5/ 8		3045460	25
UPBV 2,5/ 9		3045473	25
UPBV 2,5/10		3045499	25
UPBV 2,5/11		3045509	10
UPBV 2,5/12		3045512	10
UPBV 2,5/13		3045525	10
UPBV 2,5/14		3045538	10
UPBV 2,5/15		3045541	10
UPBV 2,5/ 1 BU		3045240	50
UPBV 2,5/ 1 GNYE		3045253	50

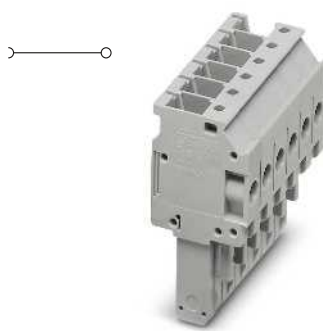
Accessories		
Plug-in bridge		
	2	red
	3	red
	4	red
	5	red
	10	red
Strain relief, for UPBV... connectors, 2-pos.		black
Latching, for connectors, 1-pos.		orange
2-pos.		orange
Latching and strain relief, for UPBV.... connectors, 2-pos.		orange
Screw flange cover, for UPBV 2,5 and UPBV 4 COMBI plugs		gray
Lateral groove labeling		

Type	I _{max}	Order No.	Pcs. / Pkt.
FBS 2-5	20 A	3030161	50
FBS 3-5	20 A	3030174	50
FBS 4-5	20 A	3030187	50
FBS 5-5	20 A	3030190	50
FBS 10-5	20 A	3030213	10
UPZ/ 2		3045554	50
UPR/ 2		3045567	50
UPRZ		3045570	50
DF-UPBV 2,5/ 4		3060432	50

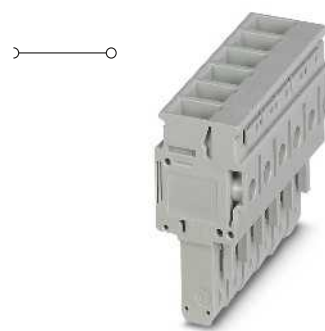
UC-TMF 5, UCT-TMF 5 or ZBF 5 (see Catalog 5)



4 (6) mm², 32 A, plug, connection at a right angle to the plug-in direction, can be bridged



4 (6) mm², 32 A, plug, connection in plug-in direction, cannot be bridged



6 (10) mm², 41 A, plug, connection in plug-in direction



Technical data			
Width	Length	Height	Height when plugged in
6.2 x No. of pos.	22	48.5	32.2
I _{max} [A]	U _{max} [V]	max. Ø [mm ²]	AWG
32 ¹⁾	800	0.14 - 6	26 - 10
IEC 61984			
IEC	UL/CUL	CSA	IEC/EN 60079-7
800	600	600	-
32 ¹⁾ / 4	30 / -	30	-
4	-	-	-
26 - 10	26-10	26-10	-
solid	stranded	Ferrule	
Without / with plastic sleeve			
0.14 - 6	0.14 - 6	0.14 - 4	0.14 - 4
0.14 - 1.5	0.14 - 1.5	0.14 - 1.5	-
			0.5 - 1
9			
M3			
0.6 - 0.8			
PA			
V0			

Technical data			
Width	Length	Height	Height when plugged in
6.2 x No. of pos.	21	41.2	24.8
I _{max} [A]	U _{max} [V]	max. Ø [mm ²]	AWG
32 ¹⁾	800	0.14 - 6	24 - 10
IEC 61984			
IEC	UL/CUL	CSA	IEC/EN 60079-7
800	600	600	-
32 ¹⁾ / 4	30 / -	30	-
4	-	-	-
24 - 10	26-10	26-10	-
solid	stranded	Ferrule	
Without / with plastic sleeve			
0.14 - 6	0.14 - 6	0.14 - 4	0.14 - 4
0.14 - 1.5	0.14 - 1.5	0.14 - 1.5	-
			0.5 - 1.5
9			
M3			
0.6 - 0.8			
PA			
V0			

Technical data			
Width	Length	Height	Height when plugged in
8.2 x No. of pos.	21	42.7	26
I _{max} [A]	U _{max} [V]	max. Ø [mm ²]	AWG
41 ¹⁾	1000	0.2 - 10	24 - 8
IEC 61984			
IEC	UL/CUL	CSA	IEC/EN 60079-7
1000	600	-	-
41 ¹⁾ / 6	40 / -	-	-
6	-	-	-
24 - 8	24-8	-	-
solid	stranded	Ferrule	
Without / with plastic sleeve			
0.2 - 6	0.2 - 10	0.25 - 6	0.25 - 6
0.2 - 2.5	0.2 - 2.5	0.25 - 1.5	-
			0.5 - 4
10			
M3			
0.6 - 0.8			
PA			
V0			

Ordering data			
Type	I _{max}	Order No.	Pcs. / Pkt.
UPBV 4/ 1		3045800	50
UPBV 4/ 2		3045813	50
UPBV 4/ 3		3045826	50
UPBV 4/ 4		3045839	50
UPBV 4/ 5		3045842	50
UPBV 4/ 6		3045855	25
UPBV 4/ 7		3045868	25
UPBV 4/ 8		3045871	25
UPBV 4/ 9		3045884	25
UPBV 4/10		3045897	25
UPBV 4/11		3045907	10
UPBV 4/12		3045910	10
UPBV 4/13		3045923	10
UPBV 4/14		3045936	10
UPBV 4/15		3045949	10
UPBV 4/ 1 BU		3045266	50
UPBV 4/ 1 GNYE		3045279	50

Ordering data		
Type	Order No.	Pcs. / Pkt.
UP 4/ 1	3060115	50
UP 4/ 2	3060128	50
UP 4/ 3	3060131	50
UP 4/ 4	3060144	50
UP 4/ 5	3060157	50
UP 4/ 6	3060160	25
UP 4/ 7	3060173	25
UP 4/ 8	3060186	25
UP 4/ 9	3060199	25
UP 4/10	3060209	25
UP 4/11	3060212	10
UP 4/12	3060225	10
UP 4/13	3060238	10
UP 4/14	3060241	10
UP 4/15	3060254	10
UP 4/ 1 BU	3045282	50
UP 4/ 1 GNYE	3045295	50

Ordering data		
Type	Order No.	Pcs. / Pkt.
UP 6/ 1	3060610	50
UP 6/ 2	3060623	50
UP 6/ 3	3060636	50
UP 6/ 4	3060649	50
UP 6/ 5	3060652	25
UP 6/ 6	3060665	25
UP 6/ 7	3060678	25
UP 6/ 8	3060681	25
UP 6/ 9	3060694	25
UP 6/10	3060704	25
UP 6/ 1 BU	3060717	50
UP 6/ 1 GNYE	3060720	50

Accessories			
FBS 2-6	27 A	3030336	50
FBS 3-6	27 A	3030242	50
FBS 4-6	27 A	3030255	50
FBS 5-6	27 A	3030349	50
FBS 10-6	27 A	3030271	10
UPZ/ 2		3045554	50
UPR/ 2		3045567	50
PRZ		3045570	50
DF-UPBV 2,5/ 4		3060432	50

Accessories		
PZ/2	3040627	50
PR	3040559	50
PR/2	3040630	50
PRZ	3040614	50
DF-UP 4	3060348	50

Accessories		
PZ/2	3040627	50
PR	3040559	50
PR/2	3040630	50
PRZ	3040614	50
DF-UP 6	3060856	50

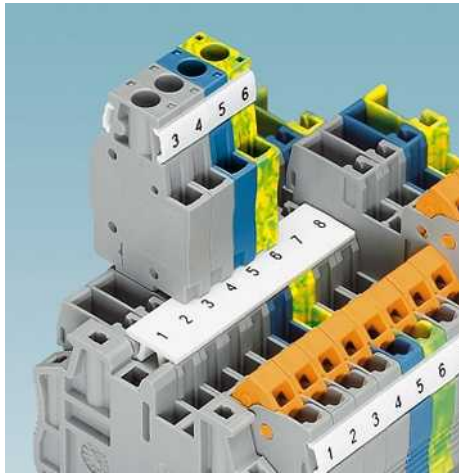
UC-TMF 6, UCT-TMF 6 or ZBF 6 (see Catalog 5)

UC-TMF 6, UCT-TMF 6 or ZBF 6 (see Catalog 5)

UC-TM 8, UCT-TM 8 or ZB 8 (see Catalog 5)

COMBI plug-in connection solutions

COMBI plugs with screw connection for self-assembly



- The COMBI plugs for self-assembly provide solutions that users can implement themselves
- The connectors are snapped together from one-position plug elements directly on site
- The screw plugs can be combined with COMBI terminal blocks with all forms of connection technology and are available in two versions

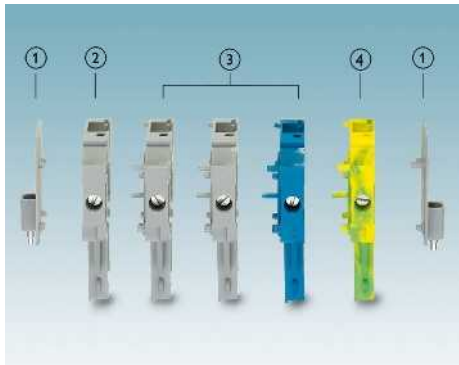
UPBV ... plugs

- Bridgeable with FBS ... standard bridges
- Lateral conductor connection
- Screw actuation from above
- The connected conductors can be passed directly into the cable duct to save space

UP ... plugs

- Screw actuation from the side
- Conductor connected from above
- The connector design enables a space-saving potential distribution by using four-conductor terminal blocks with 2 slots
- The plug is assembled directly on site by snapping together single-position plug elements. See below for an example of how these go together.

- ① DF-UP 6
- ② UP 6/1-L



- ③ UP 6/1-M and UP 6/1-M BU
- ④ UP 6/1-R GNYE

Notes:
For further accessories, see page 428.
1) For derating curve, visit www.phoenixcontact.net/products



2.5 (4) mm², 24 A, plug, connection at a right angle to the plug-in direction, can be bridged



Dimensions		[mm]
Max. electrical data		
Rated data		
Rated voltage	[V]	500
Nominal current / cross section	[A] / [mm ²]	24 ¹⁾ / 2.5
Rated cross section	[mm ²]	2.5
Cross section range	AWG	26 - 12
Connection capacity		
1 conductor	[mm ²]	0.14 - 4
Two conductors (of the same type)	[mm ²]	0.14 - 1.5
Two stranded conductors with a TWIN ferrule	[mm ²]	0.14 - 1.5
General data		
Stripping length	[mm]	9
Screw thread		M3
Tightening torque	[Nm]	0.5 - 0.6
Insulating material		PA
Inflammability class according to UL 94		V0

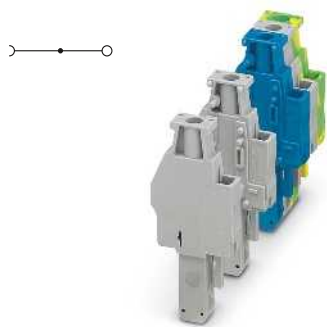
Technical data			
Width	Length	Height	Height when plugged in
5.2 x No. of pos.	20.5	47	32.2
I _{max} [A]	U _{max} [V]	max. Ø [mm ²]	AWG
24 ¹⁾	500	0.14 - 4	26 - 12
IEC 61984			
IEC	UL/CUL	CSA	IEC/EN 60079-7
Rated voltage	[V]	500	600
Nominal current / cross section	[A] / [mm ²]	24 ¹⁾ / 2.5	20 / -
Rated cross section	[mm ²]	2.5	-
Cross section range	AWG	26 - 12	26 - 12
Connection capacity		Ferrule	
	solid	stranded	Without / with plastic sleeve
1 conductor	0.14 - 4	0.14 - 4	0.14 - 2.5 / 0.14 - 2.5
Two conductors (of the same type)	0.14 - 1.5	0.14 - 1.5	0.14 - 1.5 / -
Two stranded conductors with a TWIN ferrule			0.5 - 1
General data			
Stripping length	[mm]	9	
Screw thread		M3	
Tightening torque	[Nm]	0.5 - 0.6	
Insulating material		PA	
Inflammability class according to UL 94		V0	

Description	No. of pos.	Color
COMBI plug, with a screw connection, left element		
	1	gray
	1	blue
	1	green-yellow
COMBI plug, with a screw connection, center element		
	1	gray
	1	blue
	1	green-yellow
COMBI plug, with a screw connection, right element		
	1	gray
	1	blue
	1	green-yellow

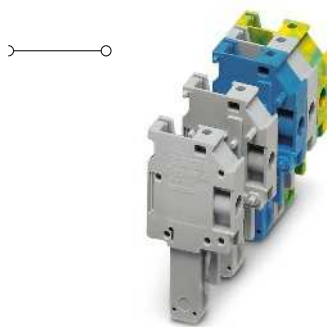
Ordering data			
Type	I _{max}	Order No.	Pcs. / Pkt.
UPBV 2,5/ 1-L		3045318	50
UPBV 2,5/ 1-L BU		3045321	50
UPBV 2,5/ 1-L GNYE		3045334	50
UPBV 2,5/ 1-M		3045347	50
UPBV 2,5/ 1-M BU		3045350	50
UPBV 2,5/ 1-M GNYE		3045363	50
UPBV 2,5/ 1-R		3045376	50
UPBV 2,5/ 1-R BU		3045389	50
UPBV 2,5/ 1-R GNYE		3045392	50

Plug-in bridge		
	2	red
	3	red
	4	red
	5	red
	10	red
	20	red
Latching and strain relief, for UPBV.... connectors, 2-pos.		orange
Latching, for connectors, 1-pos.		orange
Latching, for connectors, 2-pos.		orange
Strain relief, for UPBV... connectors, 2-pos.		black
Screw flange cover, for UPBV 2,5 and UPBV 4 COMBI plugs		gray
Lateral groove labeling		

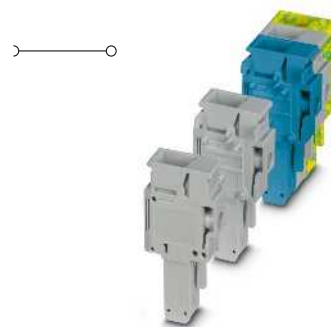
Accessories			
		Order No.	Pcs. / Pkt.
FBS 2-5	20 A	3030161	50
FBS 3-5	20 A	3030174	50
FBS 4-5	20 A	3030187	50
FBS 5-5	20 A	3030190	50
FBS 10-5	20 A	3030213	10
FBS 20-5	20 A	3030226	10
UPRZ		3045570	50
UPR/ 2		3045567	50
UPZ/ 2		3045554	50
DF-UPBV 2,5/ 4		3060432	50
UC-TMF 5, UCT-TMF 5 or ZBF 5 (see Catalog 5)			



4 (6) mm², 32 A, plug, connection at a right angle to the plug-in direction, can be bridged



4 (6) mm², 32 A, plug, connection in plug-in direction, cannot be bridged



6 (10) mm², 41 A, plug, connection in plug-in direction



Technical data			
Width	Length	Height	Height when plugged in
6.2 x No. of pos.	22	48.5	32.2
I _{max} [A]	U _{max} [V]	max. Ø [mm ²]	AWG
32 ¹⁾	800	0.14 - 6	26 - 10
IEC 61984			
IEC	UL/CUL	CSA	IEC/EN 60079-7
800	600	600	-
32 ¹⁾ / 4	30 / -	30	-
4	-	-	-
26 - 10	26-10	26-10	-
solid	stranded	Ferrule	
Without / with plastic sleeve			
0.14 - 6	0.14 - 6	0.14 - 4	0.14 - 4
0.14 - 1.5	0.14 - 1.5	0.14 - 1.5	-
			0.5 - 1
9			
M3			
0.6 - 0.8			
PA			
V0			

Technical data			
Width	Length	Height	Height when plugged in
6.2 x No. of pos.	21	41.2	24.8
I _{max} [A]	U _{max} [V]	max. Ø [mm ²]	AWG
32 ¹⁾	800	0.14 - 6	24 - 10
IEC 61984			
IEC	UL/CUL	CSA	IEC/EN 60079-7
800	600	600	-
32 ¹⁾ / 4	30 / -	30	-
4	-	-	-
24 - 10	26-10	26-10	-
solid	stranded	Ferrule	
Without / with plastic sleeve			
0.14 - 6	0.14 - 6	0.14 - 4	0.14 - 4
0.14 - 1.5	0.14 - 1.5	0.14 - 1.5	-
			0.5 - 1.5
9			
M3			
0.6 - 0.8			
PA			
V0			

Technical data			
Width	Length	Height	Height when plugged in
8.2 x No. of pos.	21	42.7	26
I _{max} [A]	U _{max} [V]	max. Ø [mm ²]	AWG
41 ¹⁾	1000	0.2 - 10	24 - 8
IEC 61984			
IEC	UL/CUL	CSA	IEC/EN 60079-7
1000	600	-	-
41 ¹⁾ / 6	40 / -	-	-
6	-	-	-
24 - 8	24-8	-	-
solid	stranded	Ferrule	
Without / with plastic sleeve			
0.2 - 6	0.2 - 10	0.25 - 6	0.25 - 6
0.2 - 2.5	0.2 - 2.5	0.25 - 1.5	-
			0.5 - 4
10			
M3			
0.6 - 0.8			
PA			
V0			

Ordering data			
Type	I _{max}	Order No.	Pcs. / Pkt.
UPBV 4/ 1-L		3045716	50
UPBV 4/ 1-L BU		3045729	50
UPBV 4/ 1-L GNYE		3045732	50
UPBV 4/ 1-M		3045745	50
UPBV 4/ 1-M BU		3045758	50
UPBV 4/ 1-M GNYE		3045761	50
UPBV 4/ 1-R		3045774	50
UPBV 4/ 1-R BU		3045787	50
UPBV 4/ 1-R GNYE		3045790	50

Ordering data			
Type	I _{max}	Order No.	Pcs. / Pkt.
UP 4/ 1-L		3060021	50
UP 4/ 1-L BU		3060034	50
UP 4/ 1-L GNYE		3060047	50
UP 4/ 1-M		3060050	50
UP 4/ 1-M BU		3060063	50
UP 4/ 1-M GNYE		3060076	50
UP 4/ 1-R		3060089	50
UP 4/ 1-R BU		3060092	50
UP 4/ 1-R GNYE		3060102	50

Ordering data			
Type	I _{max}	Order No.	Pcs. / Pkt.
UP 6/ 1-L		3060733	50
UP 6/ 1-L BU		3060746	50
UP 6/ 1-L GNYE		3060759	50
UP 6/ 1-M		3060762	50
UP 6/ 1-M BU		3060775	50
UP 6/ 1-M GNYE		3060788	50
UP 6/ 1-R		3060791	50
UP 6/ 1-R BU		3060801	50
UP 6/ 1-R GNYE		3060814	50

Accessories			
FBS 2-6	27 A	3030336	50
FBS 3-6	27 A	3030242	50
FBS 4-6	27 A	3030255	50
FBS 5-6	27 A	3030349	50
FBS 10-6	27 A	3030271	10
FBS 20-6	27 A	3030365	10
UPRZ		3045570	50
UPR/ 2		3045567	50
UPZ/ 2		3045554	50
DF-UPBV 2,5/ 4		3060432	50

Accessories			
PRZ		3040614	50
PR/2		3040630	50
PZ/2		3040627	50
DF-UP 4		3060348	50

Accessories			
PRZ		3040614	50
PR		3040559	50
PR/2		3040630	50
PZ/2		3040627	50
DF-UP 6		3060856	50

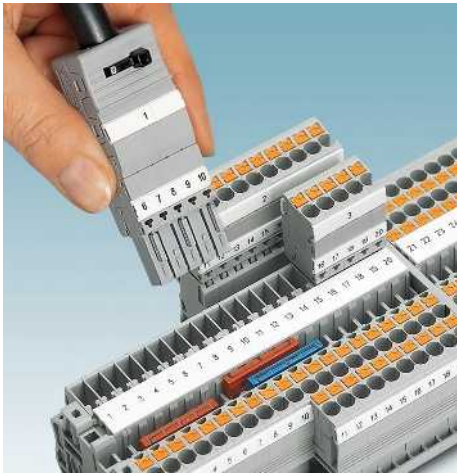
UC-TMF 6, UCT-TMF 6 or ZBF 6
(see Catalog 5)

UC-TMF 6, UCT-TMF 6 or ZBF 6
(see Catalog 5)

UC-TM 8, UCT-TM 8 or ZB 8
(see Catalog 5)

COMBI plug-in connection solutions

COMBI plugs with push-in connection



- Extensive, optional snap-on accessories available
- Practical coding facility
- Large labeling option
- Robust cable housings for strain relief on connecting cables are available

Notes:
For more cable housings, see page 433.
1) For derating curve, visit www.phoenixcontact.net/products



1.5 (1.5) mm², 17.5 A, plug, connection in plug-in direction



Dimensions		[mm]
Max. electrical data		
Rated data		
Rated voltage	[V]	500
Nominal current / cross section	[A] / [mm ²]	17.5(1) / 1.5
Rated cross section	[mm ²]	1.5
Cross section range	AWG	26 - 14
Connection capacity		
1 conductor	[mm ²]	0.14 - 1.5
Two stranded conductors with a TWIN ferrule	[mm ²]	0.14 - 1.5
Direct plug-in connection cross sections	[mm ²]	0.25 - 1.5
General data		
Stripping length	[mm]	8
Insulating material		PA
Inflammability class according to UL 94		V0

Technical data			
Width	Length	Height	Height when plugged in
3.5 x No. of pos.	16.5	31.3	19.5
I _{max} [A]	U _{max} [V]	max. Ø [mm ²]	AWG
17.5(1)	500	0.14 - 1.5	26 - 14
IEC 61984			
IEC	UL/CUL	CSA	IEC/EN 60079-7
Rated voltage	[V]	500	600
Nominal current / cross section	[A] / [mm ²]	17.5(1) / 1.5	15 / -
Rated cross section	[mm ²]	1.5	-
Cross section range	AWG	26 - 14	26-14
Connection capacity		Ferrule	
		Without / with plastic sleeve	
1 conductor	[mm ²]	0.14 - 1.5	0.14 - 1.5
Two stranded conductors with a TWIN ferrule	[mm ²]	0.14 - 1.5	0.14 - 1
Direct plug-in connection cross sections	[mm ²]	0.25 - 1.5	0.34 - 1.5
General data			
Stripping length	[mm]	8	
Insulating material		PA	
Inflammability class according to UL 94		V0	

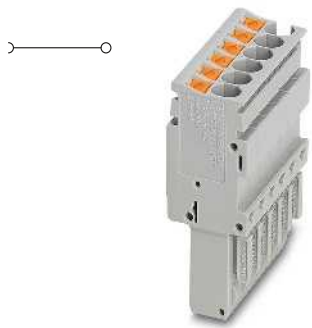
Description	No. of pos.	Color
COMBI plug , with push-in connection		
	1	gray
	2	gray
	3	gray
	4	gray
	5	gray
	6	gray
	7	gray
	8	gray
	9	gray
	10	gray
	11	gray
	12	gray
	13	gray
	14	gray
	15	gray
	1	blue
	1	green-yellow

Ordering data		
Type	Order No.	Pcs. / Pkt.
PP-H 1,5/S/1	3212484	50
PP-H 1,5/S/2	3212510	50
PP-H 1,5/S/3	3212523	50
PP-H 1,5/S/4	3212536	50
PP-H 1,5/S/5	3212549	50
PP-H 1,5/S/6	3212552	25
PP-H 1,5/S/7	3212565	25
PP-H 1,5/S/8	3212578	25
PP-H 1,5/S/9	3212581	25
PP-H 1,5/S/10	3212594	25
PP-H 1,5/S/11	3212604	10
PP-H 1,5/S/12	3212617	10
PP-H 1,5/S/13	3212620	10
PP-H 1,5/S/14	3212633	10
PP-H 1,5/S/15	3212646	10
PP-H 1,5/S/1 BU	3212497	50
PP-H 1,5/S/1 GNYE	3212507	50

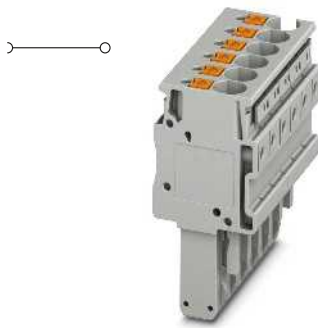
Test plug metal part , 2.3 mm Ø	
Insulating sleeve , for MPS metal part	red
Latching and strain relief , for all connectors with conductor exit at top, 2-pos.	orange
Latching , for connectors, 1-pos.	orange
2-pos.	orange
Strain relief , for plug and coupling 2-pos.	black
4-pos.	black
Screw flange cover , for SP-H ... and PP-H ... COMBI plugs	gray
Cable housing , for PP-H 1,5... and PPC 1,5...	gray
Screwdriver	
Lateral groove labeling	

Accessories		
Type	Order No.	Pcs. / Pkt.
MPS-MT	0201744	10
MPS-IH RD	0201676	10
PRZ 1,5/S	3212905	50
PR 1,5/S	3212882	50
PR 1,5/S/2	3212895	50
PZ 1,5/S/2	3212918	50
PZ/4	3040643	50
PH 1,5/S/3	3212756	50
SZF 0-0,4X2,5	1204504	10
ZBF 3,5 (see Catalog 5)		

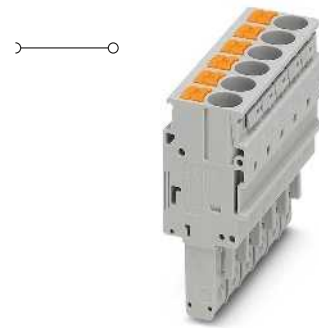
N



2.5 (4) mm², 24 A, plug, connection in plug-in direction



4 (6) mm², 32 A, plug, connection in plug-in direction



6 (10) mm², 41 A, plug, connection in plug-in direction



Technical data			
Width	Length	Height	Height when plugged in
5.2 x No. of pos.	15.8	39	24
I _{max} [A]	U _{max} [V]	max. Ø [mm ²]	AWG
24 ¹⁾	500	0.14 - 4	26 - 12
IEC 61984			
IEC	UL/CUL	CSA	IEC/EN 60079-7
500	300	300	-
24 ¹⁾ / 2.5	20 / -	20 / -	-
2.5	-	-	-
26 - 12	26-12	26-12	-
solid	stranded	Ferrule	
Without / with plastic sleeve			
0.14 - 4	0.14 - 2.5	0.14 - 2.5	0.14 - 2.5
0.5			
0.34 - 4	-	0.34 - 2.5	0.34 - 2.5
10			
PA			
V0			

Technical data			
Width	Length	Height	Height when plugged in
6.2 x No. of pos.	21	42.3	24
I _{max} [A]	U _{max} [V]	max. Ø [mm ²]	AWG
32 ¹⁾	800	0.2 - 6	24 - 10
IEC 61984			
IEC	UL/CUL	CSA	IEC/EN 60079-7
800	-	-	-
32 ¹⁾ / 4	- / -	-	-
4	-	-	-
24 - 10	-	-	-
solid	stranded	Ferrule	
Without / with plastic sleeve			
0.2 - 6	0.2 - 4	0.25 - 4	0.25 - 4
0.5 - 1			
0.5 - 6	-	0.5 - 4	0.5 - 4
12			
PA			
V0			

Technical data			
Width	Length	Height	Height when plugged in
8.2 x No. of pos.	21	49.3	31.2
I _{max} [A]	U _{max} [V]	max. Ø [mm ²]	AWG
41 ¹⁾	1000	0.5 - 10	20 - 8
IEC 61984			
IEC	UL/CUL	CSA	IEC/EN 60079-7
1000	600	-	-
41 ¹⁾ / 6	40 / -	-	-
6	-	-	-
20 - 8	20-8	-	-
solid	stranded	Ferrule	
Without / with plastic sleeve			
0.5 - 10	0.5 - 6	0.5 - 6	0.5 - 6
0.5 - 1.5			
1 - 10	-	1 - 6	1 - 6
12			
PA			
V0			

Ordering data		
Type	Order No.	Pcs. / Pkt.
PP-H 2,5/ 1	3209866	50
PP-H 2,5/ 2	3209879	50
PP-H 2,5/ 3	3209882	50
PP-H 2,5/ 4	3209895	50
PP-H 2,5/ 5	3209905	50
PP-H 2,5/ 6	3209918	25
PP-H 2,5/ 7	3209921	25
PP-H 2,5/ 8	3209934	25
PP-H 2,5/ 9	3209947	25
PP-H 2,5/10	3209950	25
PP-H 2,5/11	3209963	10
PP-H 2,5/12	3209976	10
PP-H 2,5/13	3209989	10
PP-H 2,5/14	3209992	10
PP-H 2,5/15	3210004	10
PP-H 2,5/ 1 BU	3210017	50
PP-H 2,5/ 1 GNYE	3210020	50

Ordering data		
Type	Order No.	Pcs. / Pkt.
PP-H 4/ 1	3212010	50
PP-H 4/ 2	3212016	50
PP-H 4/ 3	3212022	50
PP-H 4/ 4	3212029	50
PP-H 4/ 5	3212035	50
PP-H 4/ 6	3212041	25
PP-H 4/ 7	3212048	25
PP-H 4/ 8	3212054	25
PP-H 4/ 9	3212061	25
PP-H 4/10	3212067	25
PP-H 4/11	3212074	10
PP-H 4/12	3212080	10
PP-H 4/13	3212087	10
PP-H 4/14	3212093	10
PP-H 4/15	3212100	10
PP-H 4/ 1 BU	3212077	50
PP-H 4/ 1 GNYE	3212088	50

Ordering data		
Type	Order No.	Pcs. / Pkt.
PP-H 6/ 1	3061541	50
PP-H 6/ 2	3061570	50
PP-H 6/ 3	3061583	50
PP-H 6/ 4	3061596	50
PP-H 6/ 5	3061606	50
PP-H 6/ 6	3061619	25
PP-H 6/ 7	3061622	25
PP-H 6/ 8	3061635	25
PP-H 6/ 9	3061648	25
PP-H 6/10	3061651	25
PP-H 6/ 1 BU	3061554	50
PP-H 6/ 1 GNYE	3061567	50

Accessories		
Type	Order No.	Pcs. / Pkt.
MPS-MT	0201744	10
MPS-IH RD	0201676	10
PRZ	3040614	50
PR	3040559	50
PR/2	3040630	50
PZ/2	3040627	50
DF-SP-H 2,5	3209824	50
PH 2,5/ 2	3209691	50
SZF 1-0,6X3,5	1204517	10

Accessories		
Type	Order No.	Pcs. / Pkt.
MPS-MT	0201744	10
MPS-IH RD	0201676	10
PRZ	3040614	50
PR	3040559	50
PR/2	3040630	50
PZ/2	3040627	50
PH 4/2	3000734	50
SZF 1-0,6X3,5	1204517	10

Accessories		
Type	Order No.	Pcs. / Pkt.
MPS-MT	0201744	10
MPS-IH RD	0201676	10
PRZ	3040614	50
PR	3040559	50
PR/2	3040630	50
PZ/2	3040627	50
PH 6/2	3000680	25
SZF 2-0,8X4,0	1204520	10

UC-TMF 5, UCT-TMF 5 or ZBF 5 (see Catalog 5)

UC-TMF 6, UCT-TMF 6 or ZBF 6 (see Catalog 5)

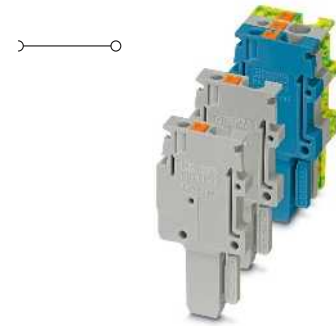
UC-TMF 8, UCT-TMF 8 or ZBF 8 (see Catalog 5)

COMBI plug-in connection solutions

COMBI plugs with push-in connection for self-assembly

- The push-in COMBI plugs for self-assembly provide solutions that users can implement themselves
- Robust cable housings for strain relief on connecting cables are available
- The plug is assembled directly on site by snapping together single-position plug elements. See below for an example of how these go together.
 - ① PP-H 1,5/S/1-L
 - ② PP-H 1,5/S/1-M and PP-H 1,5/S/1-M BU
 - ③ PP-H 1,5/S/1-R GNYE

Notes:
For more cable housings, see page 433.
1) For derating curve, visit www.phoenixcontact.net/products



1.5 (1.5) mm², 17.5 A, plug, connection in plug-in direction



Dimensions	
	[mm]
Max. electrical data	
Rated data	
Rated voltage	[V]
Nominal current / cross section	[A] / [mm ²]
Rated cross section	[mm ²]
Cross section range	AWG
Connection capacity	
1 conductor	[mm ²]
Two stranded conductors with a TWIN ferrule	[mm ²]
Direct plug-in connection cross sections	[mm ²]
General data	
Stripping length	[mm]
Insulating material	
Inflammability class according to UL 94	

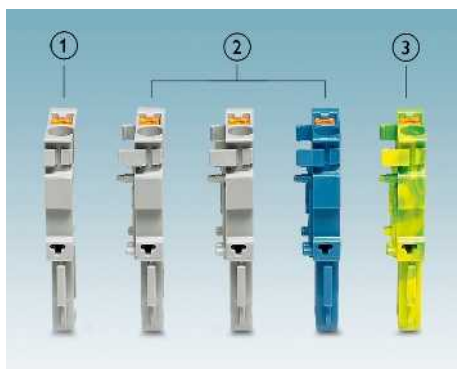
Technical data			
Width	Length	Height	Height when plugged in
3.5 x No. of pos.	16.5	31.3	19.5
I _{max} [A]	U _{max} [V]	max. Ø [mm ²]	AWG
17.5 ¹⁾	500	0.14 - 1.5	26 - 14
IEC 61984			
IEC	UL/CUL	CSA	IEC/EN 60079-7
Rated voltage	600	600	-
Nominal current / cross section	17.5 ¹⁾ / 1.5	15 / -	-
Rated cross section	1.5	-	-
Cross section range	26 - 14	26-14	-
Connection capacity		Ferrule	
		Without / with plastic sleeve	
1 conductor	0.14 - 1.5	0.14 - 1.5	0.14 - 1.5
Two stranded conductors with a TWIN ferrule	0.14 - 1.5	-	0.14 - 1.5
Direct plug-in connection cross sections	0.25 - 1.5	-	0.34 - 1.5
8			
PA			
V0			

Description	No. of pos.	Color
COMBI plug, with push-in connection, non-bridgeable, left element		
	1	gray
	1	blue
	1	green-yellow
COMBI plug, with push-in connection, not bridgeable, middle element		
	1	gray
	1	blue
	1	green-yellow
COMBI plug, with push-in connection, not bridgeable, right element		
	1	gray
	1	blue
	1	green-yellow

Ordering data		
Type	Order No.	Pcs. / Pkt.
PP-H 1,5/S/1-L	3212659	50
PP-H 1,5/S/1-L BU	3212662	50
PP-H 1,5/S/1-L GNYE	3212675	50
PP-H 1,5/S/1-M	3212688	50
PP-H 1,5/S/1-M BU	3212691	50
PP-H 1,5/S/1-M GNYE	3212701	50
PP-H 1,5/S/1-R	3212714	50
PP-H 1,5/S/1-R BU	3212727	50
PP-H 1,5/S/1-R GNYE	3212730	50

Test plug metal part , 2.3 mm Ø	
Insulating sleeve , for MPS metal part	red
Latching and strain relief , for all connectors with conductor exit at top, 2-pos.	orange
Latching , for connectors, 1-pos.	orange
2-pos.	orange
Strain relief , for plug and coupling 2-pos.	black
4-pos.	black
Screw flange cover , for SP-H ... and PP-H ... COMBI plugs	gray
Cable housing , for COMBI plugs SP-H ... and PP-H ... , 2-pos.	gray
Cable housing , for PP-H 1,5... and PPC 1,5... , 3-pos.	gray
4-pos.	gray
5-pos.	gray
Screwdriver	
Lateral groove labeling	

Accessories		
Type	Order No.	Pcs. / Pkt.
MPS-MT	0201744	10
MPS-IH RD	0201676	10
PRZ 1,5/S	3212905	50
PR 1,5/S	3212882	50
PR 1,5/S/2	3212895	50
PZ 1,5/S/2	3212918	50
PZ/4	3040643	50
PH 1,5/S/3	3212756	50
PH 1,5/S/4	3212769	50
PH 1,5/S/5	3212772	50
SZF 0-0,4X2,5	1204504	10
ZBF 3,5 (see Catalog 5)		



N



2.5 (4) mm², 24 A, plug, connection in plug-in direction



4 (6) mm², 32 A, plug, connection in plug-in direction



6 (10) mm², 41 A, plug, connection in plug-in direction



Technical data			
Width	Length	Height	Height when plugged in
5.2 x No. of pos.	15.8	39	24
I _{max} [A]	U _{max} [V]	max. Ø [mm ²]	AWG
24 ¹⁾	500	0.14 - 4	26 - 12
IEC 61984			
IEC	UL/CUL	CSA	IEC/EN 60079-7
500	300	300	-
24 ¹⁾ / 2.5	20 / -	20 / -	-
2.5	-	-	-
26 - 12	26-12	26-12	-
solid	stranded	Ferrule	
Without / with plastic sleeve			
0.14 - 4	0.14 - 2.5	0.14 - 2.5	0.14 - 2.5
0.5			
0.34 - 4	-	0.34 - 2.5	0.34 - 2.5
10			
PA			
V0			

Technical data			
Width	Length	Height	Height when plugged in
6.2 x No. of pos.	21	42.3	24
I _{max} [A]	U _{max} [V]	max. Ø [mm ²]	AWG
32 ¹⁾	800	0.2 - 6	24 - 10
IEC 61984			
IEC	UL/CUL	CSA	IEC/EN 60079-7
800	-	-	-
32 ¹⁾ / 4	- / -	-	-
4	-	-	-
24 - 10	-	-	-
solid	stranded	Ferrule	
Without / with plastic sleeve			
0.2 - 6	0.2 - 4	0.25 - 4	0.25 - 4
0.5 - 1			
0.5 - 6	-	0.5 - 4	0.5 - 4
12			
PA			
V0			

Technical data			
Width	Length	Height	Height when plugged in
8.2 x No. of pos.	21	49.3	31.2
I _{max} [A]	U _{max} [V]	max. Ø [mm ²]	AWG
41 ¹⁾	1000	0.5 - 10	20 - 8
IEC 61984			
IEC	UL/CUL	CSA	IEC/EN 60079-7
1000	600	-	-
41 ¹⁾ / 6	40 / -	-	-
6	-	-	-
20 - 8	20-8	-	-
solid	stranded	Ferrule	
Without / with plastic sleeve			
0.5 - 10	0.5 - 6	0.5 - 6	0.5 - 6
0.5 - 1.5			
1 - 10	-	1 - 6	1 - 6
12			
PA			
V0			

Ordering data		
Type	Order No.	Pcs. / Pkt.
PP-H 2,5/1-L	3210062	50
PP-H 2,5/1-L BU	3210075	50
PP-H 2,5/1-L GNYE	3210088	50
PP-H 2,5/1-M	3210091	50
PP-H 2,5/1-M BU	3210101	50
PP-H 2,5/1-M GNYE	3210114	50
PP-H 2,5/1-R	3210127	50
PP-H 2,5/1-R BU	3210130	50
PP-H 2,5/1-R GNYE	3210143	50

Ordering data		
Type	Order No.	Pcs. / Pkt.
PP-H 4/ 1-L	3211948	50
PP-H 4/ 1-L BU	3211951	50
PP-H 4/ 1-L GNYE	3211958	50
PP-H 4/ 1-M	3211965	50
PP-H 4/ 1-M BU	3211964	50
PP-H 4/ 1-M GNYE	3211971	50
PP-H 4/ 1-R	3211977	50
PP-H 4/ 1-R BU	3211980	50
PP-H 4/ 1-R GNYE	3211987	50

Ordering data		
Type	Order No.	Pcs. / Pkt.
PP-H 6/ 1-L	3061664	50
PP-H 6/ 1-L BU	3061677	50
PP-H 6/ 1-L GNYE	3061680	50
PP-H 6/ 1-M	3061693	50
PP-H 6/ 1-M BU	3061703	50
PP-H 6/ 1-M GNYE	3061716	50
PP-H 6/ 1-R	3061729	50
PP-H 6/ 1-R BU	3061732	50
PP-H 6/ 1-R GNYE	3061745	50

Accessories		
Type	Order No.	Pcs. / Pkt.
MPS-MT	0201744	10
MPS-IH RD	0201676	10
PRZ	3040614	50
PR	3040559	50
PR/2	3040630	50
PZ/2	3040627	50
DF-SP-H 2,5	3209824	50
PH 2,5/ 2	3209691	50
PH 2,5/ 3	3209701	50
PH 2,5/ 4	3209714	50
PH 2,5/ 5	3209727	50
SZF 1-0,6X3,5	1204517	10

Accessories		
Type	Order No.	Pcs. / Pkt.
PRZ	3040614	50
PR	3040559	50
PR/2	3040630	50
PZ/2	3040627	50
PH 4/2	3000734	50
PH 4/3	3000736	50
PH 4/4	3000737	50
PH 4/5	3000738	50
SZF 1-0,6X3,5	1204517	10

Accessories		
Type	Order No.	Pcs. / Pkt.
MPS-MT	0201744	10
MPS-IH RD	0201676	10
PRZ	3040614	50
PR	3040559	50
PR/2	3040630	50
PZ/2	3040627	50
PH 6/2	3000680	25
PH 6/3	3000681	25
PH 6/4	3000682	25
PH 6/5	3000683	25
SZF 2-0,8X4,0	1204520	10

UC-TMF 5, UCT-TMF 5 or ZBF 5 (see Catalog 5)

UC-TMF 6, UCT-TMF 6 or ZBF 6 (see Catalog 5)

UC-TMF 8, UCT-TMF 8 or ZBF 8 (see Catalog 5)



2.5 (4) mm², 24 A, plug, connection in plug-in direction



2.5 (4) mm², 24 A, plug, connection at a right angle to the plug-in direction



4 (6) mm², 32 A, plug, connection in plug-in direction



Technical data			
Width	Length	Height	Height when plugged in
5.2 x No. of pos.	15.8	39	24
I _{max} [A]	U _{max} [V]	max. Ø [mm ²]	AWG
24 ¹⁾	500	0.08 - 4	28 - 12
IEC 61984			
IEC	UL/CUL	CSA	IEC/EN 60079-7
500	300	300	-
24 ¹⁾ / 2.5	20 / -	20 / -	-
2.5	-	-	-
28 - 12	26-12	26-12	-
solid	stranded	Ferrule	
Without / with plastic sleeve			
0.08 - 4	0.08 - 2.5	0.14 - 2.5	0.14 - 2.5
0.5			
10			
PA			
V0			

Technical data			
Width	Length	Height	Height when plugged in
5.2 x No. of pos.	23.4	34	19
I _{max} [A]	U _{max} [V]	max. Ø [mm ²]	AWG
24 ¹⁾	500	0.08 - 4	28 - 12
IEC 61984			
IEC	UL/CUL	CSA	IEC/EN 60079-7
500	600	-	-
24 ¹⁾ / 2.5	20 / -	-	-
2.5	-	-	-
28 - 12	26-12	-	-
solid	stranded	Ferrule	
Without / with plastic sleeve			
0.08 - 4	0.08 - 2.5	0.14 - 2.5	0.14 - 2.5
10			
PA			
V0			

Technical data			
Width	Length	Height	Height when plugged in
6.2 x No. of pos.	21	41.5	24
I _{max} [A]	U _{max} [V]	max. Ø [mm ²]	AWG
32 ¹⁾	800	0.08 - 6	28 - 10
IEC 61984			
IEC	UL/CUL	CSA	IEC/EN 60079-7
800	600	600	-
32 ¹⁾ / 4	30 / -	30 / -	-
4	-	-	-
28 - 10	28-10	24-12	-
solid	stranded	Ferrule	
Without / with plastic sleeve			
0.08 - 6	0.08 - 4	0.14 - 4	0.14 - 4
0.5 - 1			
10			
PA			
V0			

Ordering data		
Type	Order No.	Pcs. / Pkt.
SP-H 2,5/ 1	3210619	50
SP-H 2,5/ 2	3210622	50
SP-H 2,5/ 3	3210635	50
SP-H 2,5/ 4	3210648	50
SP-H 2,5/ 5	3210651	50
SP-H 2,5/ 6	3210664	25
SP-H 2,5/ 7	3210677	25
SP-H 2,5/ 8	3210680	25
SP-H 2,5/ 9	3210693	25
SP-H 2,5/10	3210703	25
SP-H 2,5/11	3210716	10
SP-H 2,5/12	3210729	10
SP-H 2,5/13	3210732	10
SP-H 2,5/14	3210745	10
SP-H 2,5/15	3210758	10
SP-H 2,5/ 1 BU	3210761	50
SP-H 2,5/ 1 GNYE	3210774	50

Ordering data		
Type	Order No.	Pcs. / Pkt.
SPV 2,5/ 1	3041710	50
SPV 2,5/ 2	3041723	50
SPV 2,5/ 3	3041736	50
SPV 2,5/ 4	3041749	50
SPV 2,5/ 5	3041752	50
SPV 2,5/ 6	3041765	25
SPV 2,5/ 7	3041778	25
SPV 2,5/ 8	3041781	25
SPV 2,5/ 9	3041794	25
SPV 2,5/10	3041804	25
SPV 2,5/11	3041817	10
SPV 2,5/12	3041820	10
SPV 2,5/13	3041833	10
SPV 2,5/14	3041846	10
SPV 2,5/15	3041859	10
SPV 2,5/ 1 BU	3061017	50
SPV 2,5/ 1 GNYE	3061020	50

Ordering data		
Type	Order No.	Pcs. / Pkt.
SP 4/ 1	3042887	50
SP 4/ 2	3042890	50
SP 4/ 3	3042900	50
SP 4/ 4	3042926	50
SP 4/ 5	3042939	50
SP 4/ 6	3042942	25
SP 4/ 7	3042955	25
SP 4/ 8	3042968	25
SP 4/ 9	3042971	25
SP 4/10	3042984	25
SP 4/11	3042997	10
SP 4/12	3043006	10
SP 4/13	3043718	10
SP 4/14	3043721	10
SP 4/15	3043734	10
SP 4/1 BU	3061033	50
SP 4/1 GNYE	3061046	50

Accessories		
Type	Order No.	Pcs. / Pkt.
MPS-MT	0201744	10
MPS-IH RD	0201676	10
PRZ	3040614	50
PR	3040559	50
PR/2	3040630	50
PZ/2	3040627	50
PZ/4	3040643	50
DF-SP-H 2,5	3209824	50
PH 2,5/ 2	3209691	50

Accessories		
Type	Order No.	Pcs. / Pkt.
MPS-MT	0201744	10
MPS-IH RD	0201676	10
PRV/2	3041862	50
PZ/2	3040627	50
PZ/4	3040643	50

Accessories		
Type	Order No.	Pcs. / Pkt.
MPS-MT	0201744	10
MPS-IH RD	0201676	10
PRZ	3040614	50
PR	3040559	50
PR/2	3040630	50
PZ/2	3040627	50

UC-TMF 5, UCT-TMF 5 or ZBF 5 (see Catalog 5)

UC-TMF 5, UCT-TMF 5 or ZBF 5 (see Catalog 5)

UC-TMF 6, UCT-TMF 6 or ZBF 6 (see Catalog 5)

COMBI plug-in connection solutions

COMBI plugs with a spring-cage connection



- Connector with scope for bridging, for use with basic terminal blocks
- The SPB 2,5/... plug is designed for connecting one conductor and also provides an additional bridging facility
- The SPDB 2,5/... plug is designed for connecting two conductors and also provides an additional bridging facility

Notes:
1) For derating curve, visit www.phoenixcontact.net/products



2.5 (4) mm², 24 A, plug, connection in plug-in direction, bridgeable



Dimensions		[mm]
Max. electrical data		
Rated data		
Rated voltage	[V]	500
Nominal current / cross section	[A] / [mm ²]	24 ¹⁾ / 2.5
Rated cross section	[mm ²]	2.5
Cross section range	AWG	28 - 12
Connection capacity		
1 conductor	[mm ²]	0.08 - 4
Two stranded conductors with a TWIN ferrule	[mm ²]	0.08 - 2.5
General data		
Stripping length	[mm]	10
Insulating material		PA
Inflammability class according to UL 94		V0

Technical data			
Width	Length	Height	Height when plugged in
5.2 x No. of pos.	20	39	24
I _{max} [A]	U _{max} [V]	max. Ø [mm ²]	AWG
24 ¹⁾	500	0.08 - 4	28 - 12
Rated data		IEC 61984	IEC/EN 60079-7
IEC	UL/CUL	CSA	IEC/EN 60079-7
Rated voltage	[V]	500	600
Nominal current / cross section	[A] / [mm ²]	24 ¹⁾ / 2.5	20 / -
Rated cross section	[mm ²]	2.5	-
Cross section range	AWG	28 - 12	24 - 12
Connection capacity		Ferrule	
1 conductor	[mm ²]	solid	stranded
Two stranded conductors with a TWIN ferrule	[mm ²]	Without / with plastic sleeve	
		0.08 - 4	0.08 - 2.5
		0.14 - 2.5	0.14 - 2.5
			0.5
Stripping length	[mm]	10	PA
Insulating material		V0	

Description	No. of pos.	Color
COMBI plug, with a spring-cage connection		
	1	gray
	2	gray
	3	gray
	4	gray
	5	gray
	6	gray
	7	gray
	8	gray
	9	gray
	10	gray
	11	gray
	12	gray
	13	gray
	14	gray
	15	gray
	1	blue
	1	green-yellow

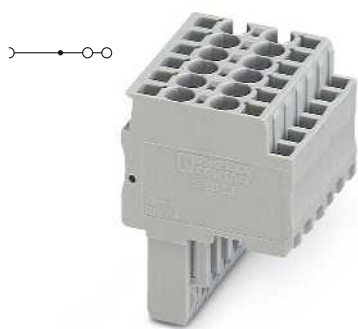
Ordering data			
Type	I _{max}	Order No.	Pcs. / Pkt.
SPB 2,5/ 1		3040106	50
SPB 2,5/ 2		3040119	50
SPB 2,5/ 3		3040122	50
SPB 2,5/ 4		3040135	50
SPB 2,5/ 5		3040143	50
SPB 2,5/ 6		3040151	25
SPB 2,5/ 7		3040164	25
SPB 2,5/ 8		3040177	25
SPB 2,5/ 9		3040180	25
SPB 2,5/10		3040193	25
SPB 2,5/11		3040203	10
SPB 2,5/12		3040216	10
SPB 2,5/13		3040229	10
SPB 2,5/14		3040232	10
SPB 2,5/15		3040245	10
SPB 2,5/ 1 BU		3040724	50
SPB 2,5/ 1 GN YE		3040711	50

Plug-in bridge		
	2	red
	3	red
	4	red
	5	red
	10	red
	20	red
Latching and strain relief, for all connectors with conductor exit at top, 2-pos.		orange
Latching, for connectors, 1-pos.		orange
2-pos.		orange
Strain relief, for plugs, 2-pos.		black
4-pos.		black

Accessories			
FBS 2-5	24 A	3030161	50
FBS 3-5	24 A	3030174	50
FBS 4-5	24 A	3030187	50
FBS 5-5	24 A	3030190	50
FBS 10-5	24 A	3030213	10
FBS 20-5	24 A	3030226	10
PRZ		3040614	50
PR		3040559	50
PR/2		3040630	50
PZ/2		3040627	50
PZ/4		3040643	50

Lateral groove labeling

UC-TMF 5, UCT-TMF 5 or ZBF 5 (see Catalog 5)



2.5 (4) mm², 24 A, plug, 2 connections in plug-in direction, bridgeable



Technical data

Width	Length	Height	Height when plugged in
5.2 x No. of pos.	32.7	39	24
I_{max} [A]	U_{max} [V]	max. Ø [mm ²]	AWG
24 ¹⁾	500	0.08 - 4	28 - 12
IEC 61984			
IEC	UL/CUL	CSA	IEC/EN 60079-7
500	600	300	-
24 ¹⁾ / 2.5	20 / -	20 / -	-
2.5	-	-	-
28 - 12	28-12	24-12	-
solid	stranded	Ferrule	
		Without / with plastic sleeve	
0.08 - 4	0.08 - 2.5	0.14 - 2.5	0.14 - 2.5
			0.5

10
PA
V0

Ordering data

Type	I_{max}	Order No.	Pcs. / Pkt.
SPDB 2,5/ 1		3040407	50
SPDB 2,5/ 2		3040410	50
SPDB 2,5/ 3		3040423	50
SPDB 2,5/ 4		3040436	50
SPDB 2,5/ 5		3040449	50
SPDB 2,5/ 6		3040452	25
SPDB 2,5/ 7		3040465	25
SPDB 2,5/ 8		3040478	25
SPDB 2,5/ 9		3040481	25
SPDB 2,5/10		3040494	25
SPDB 2,5/11		3040504	10
SPDB 2,5/12		3040517	10
SPDB 2,5/13		3040520	10
SPDB 2,5/14		3040533	10
SPDB 2,5/15		3040546	10
SPDB 2,5/ 1 BU		3040737	50
SPDB 2,5/ 1 GNYE		3040740	50

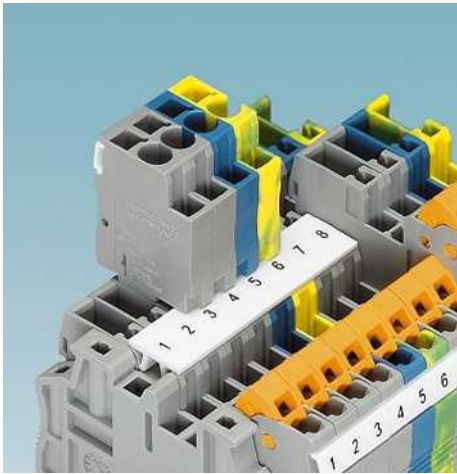
Accessories

FBS 2-5	24 A	3030161	50
FBS 3-5	24 A	3030174	50
FBS 4-5	24 A	3030187	50
FBS 5-5	24 A	3030190	50
FBS 10-5	24 A	3030213	10
FBS 20-5	24 A	3030226	10
PRZ		3040614	50
PR		3040559	50
PR/2		3040630	50
PDZ/2		3040562	50
PDZ/4		3040575	50

UC-TMF 5, UCT-TMF 5 or ZBF 5
(see Catalog 5)

COMBI plug-in connection solutions

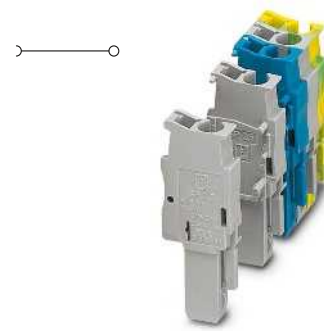
ST-COMBI plugs with spring-cage connection for self-assembly



- The ST-COMBI plugs for self-assembly provide solutions that users can implement themselves
- Cable housings can be snapped onto the SP-H ... plugs
- The plug with spring-cage connection is assembled directly on site by snapping together single-position plug elements. See below for an example of how these go together.

- ① SP 2,5/1-L
- ② SP 2,5/1-M and SP 2,5/1-M BU
- ③ SP 2,5/1-R GNYE

Notes:
For further accessories, see page 428.
For more cable housings, see page 433.
The SP-H 2,5/... plug supports the use of PH 2,5... cable housing, see page 433.
1) For derating curve, visit www.phoenixcontact.net/products



2.5 (4) mm², 24 A, plug, connection in plug-in direction



Dimensions		[mm]
Max. electrical data		
Rated data		
Rated voltage	[V]	500
Nominal current / cross section	[A] / [mm ²]	24 ¹⁾ / 2.5
Rated cross section	[mm ²]	2.5
Cross section range	AWG	28 - 12
Connection capacity		
1 conductor	[mm ²]	0.08 - 4
Two stranded conductors with a TWIN ferrule	[mm ²]	0.08 - 2.5
General data		
Stripping length	[mm]	10
Insulating material		PA
Inflammability class according to UL 94		V0

Technical data			
Width	Length	Height	Height when plugged in
5.2 x No. of pos.	15.8	39	24
I _{max} [A]	U _{max} [V]	max. Ø [mm ²]	AWG
24 ¹⁾	500	0.08 - 4	28 - 12
IEC 61984	UL/CUL	CSA	IEC/EN 60079-7
IEC	UL/CUL	CSA	IEC/EN 60079-7
Rated voltage	[V]	500	600
Nominal current / cross section	[A] / [mm ²]	24 ¹⁾ / 2.5	20 / -
Rated cross section	[mm ²]	2.5	-
Cross section range	AWG	28 - 12	24 - 12
Connection capacity		Ferrule	
		Without / with plastic sleeve	
1 conductor	[mm ²]	0.08 - 4	0.14 - 2.5
Two stranded conductors with a TWIN ferrule	[mm ²]	0.08 - 2.5	0.14 - 2.5
		0.5	
General data			
Stripping length	[mm]	10	
Insulating material		PA	
Inflammability class according to UL 94		V0	

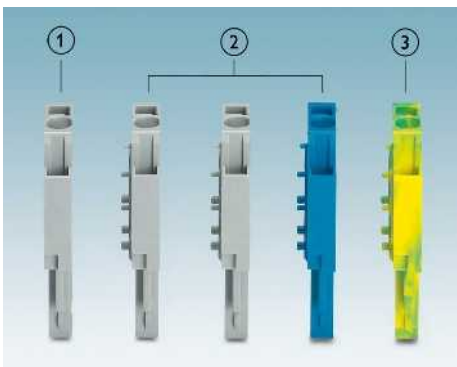
Description	No. of pos.	Color
COMBI plug, with a spring-cage connection, left element		
	1	gray
	1	blue
	1	green-yellow
COMBI plug, with a spring-cage connection, center element		
	1	gray
	1	blue
	1	green-yellow
COMBI plug, with a spring-cage connection, right element		
	1	gray
	1	blue
	1	green-yellow

Ordering data		
Type	Order No.	Pcs. / Pkt.
SP 2,5/ 1-L	3043019	50
SP 2,5/ 1-L BU	3043022	50
SP 2,5/ 1-L GNYE	3043035	50
SP 2,5/ 1-M	3043043	50
SP 2,5/ 1-M BU	3043051	50
SP 2,5/ 1-M GNYE	3043064	50
SP 2,5/ 1-R	3043077	50
SP 2,5/ 1-R BU	3043080	50
SP 2,5/ 1-R GNYE	3043093	50

Test plug metal part, 2.3 mm Ø	
Insulating sleeve, for MPS metal part	red
Latching and strain relief, for all connectors with conductor exit at top, 2-pos.	orange
Latching, for connectors, 1-pos.	orange
2-pos.	orange
Strain relief, for plugs, 2-pos.	black
4-pos.	black
Screw flange cover, for SP-H ... and PP-H ... COMBI plugs	gray
Cable housing, for COMBI plugs SP-H ... and PP-H ...	gray
3-pos.	gray
4-pos.	gray
5-pos.	gray

Accessories		
PRZ	3040614	50
PR	3040559	50
PR/2	3040630	50
PZ/2	3040627	50
PZ/4	3040643	50

Lateral groove labeling	UC-TMF 5, UCT-TMF 5 or ZBF 5 (see Catalog 5)
-------------------------	--





2.5 (4) mm², 24 A, plug, connection in plug-in direction, cable housing can be snapped on



2.5 (4) mm², 24 A, plug, connection at a right angle to the plug-in direction



4 (6) mm², 32 A, plug, connection in plug-in direction



Technical data			
Width	Length	Height	Height when plugged in
5.2 x No. of pos.	15.8	39	24
I _{max} [A]	U _{max} [V]	max. Ø [mm ²]	AWG
24 ¹⁾	500	0.08 - 4	28 - 12
IEC 61984			
IEC	UL/CUL	CSA	IEC/EN 60079-7
500	300	300	-
24 ¹⁾ / 2.5	20 / -	20 / -	-
2.5	-	-	-
28 - 12	26-12	26-12	-
solid	stranded	Ferrule	
		Without / with plastic sleeve	
0.08 - 4	0.08 - 2.5	0.14 - 2.5	0.14 - 2.5
0.5			
10	PA	V0	

Technical data			
Width	Length	Height	Height when plugged in
5.2 x No. of pos.	23.4	34	19
I _{max} [A]	U _{max} [V]	max. Ø [mm ²]	AWG
24 ¹⁾	500	0.08 - 4	28 - 12
IEC 61984			
IEC	UL/CUL	CSA	IEC/EN 60079-7
500	600	-	-
24 ¹⁾ / 2.5	20 / -	-	-
2.5	-	-	-
28 - 12	26-12	-	-
solid	stranded	Ferrule	
		Without / with plastic sleeve	
0.08 - 4	0.08 - 2.5	0.14 - 2.5	0.14 - 2.5
10	PA	V0	

Technical data			
Width	Length	Height	Height when plugged in
6.2 x No. of pos.	21	41.5	24
I _{max} [A]	U _{max} [V]	max. Ø [mm ²]	AWG
32 ¹⁾	800	0.08 - 6	28 - 10
IEC 61984			
IEC	UL/CUL	CSA	IEC/EN 60079-7
800	600	600	-
32 ¹⁾ / 4	30 / -	30 / -	-
4	-	-	-
28 - 10	28-10	24-12	-
solid	stranded	Ferrule	
		Without / with plastic sleeve	
0.08 - 6	0.08 - 4	0.14 - 4	0.14 - 4
0.5 - 1			
10	PA	V0	

Ordering data		
Type	Order No.	Pcs. / Pkt.
SP-H 2,5/ 1-L	3210787	50
SP-H 2,5/ 1-L BU	3210790	50
SP-H 2,5/ 1-L GNYE	3210800	50
SP-H 2,5/ 1-M	3210813	50
SP-H 2,5/ 1-M BU	3210826	50
SP-H 2,5/ 1-M GNYE	3210839	50
SP-H 2,5/ 1-R	3210842	50
SP-H 2,5/ 1-R BU	3210855	50
SP-H 2,5/ 1-R GNYE	3210868	50

Ordering data		
Type	Order No.	Pcs. / Pkt.
SPV 2,5/ 1-L	3041024	50
SPV 2,5/ 1-L BU	3041037	50
SPV 2,5/ 1-L GNYE	3041040	50
SPV 2,5/ 1-M	3041053	50
SPV 2,5/ 1-M BU	3041066	50
SPV 2,5/ 1-M GNYE	3041079	50
SPV 2,5/ 1-R	3041082	50
SPV 2,5/ 1-R BU	3041095	50
SPV 2,5/ 1-R GNYE	3041105	50

Ordering data		
Type	Order No.	Pcs. / Pkt.
SP 4/ 1-L	3042751	50
SP 4/ 1-L BU	3042764	50
SP 4/ 1-L GNYE	3042777	50
SP 4/ 1-M	3042780	50
SP 4/ 1-M BU	3042793	50
SP 4/ 1-M GNYE	3042803	50
SP 4/ 1-R	3042816	50
SP 4/ 1-R BU	3042829	50
SP 4/ 1-R GNYE	3042832	50

Accessories		
Accessories	Order No.	Pcs. / Pkt.
MPS-MT	0201744	10
MPS-IH RD	0201676	10
PRZ	3040614	50
PR	3040559	50
PR/2	3040630	50
PZ/2	3040627	50
PZ/4	3040643	50
DF-SP-H 2,5	3209824	50
PH 2,5/ 2	3209691	50
PH 2,5/ 3	3209701	50
PH 2,5/ 4	3209714	50
PH 2,5/ 5	3209727	50

Accessories		
Accessories	Order No.	Pcs. / Pkt.
MPS-MT	0201744	10
MPS-IH RD	0201676	10
PRV/2	3041862	50
PZ/2	3040627	50
PZ/4	3040643	50

Accessories		
Accessories	Order No.	Pcs. / Pkt.
MPS-MT	0201744	10
MPS-IH RD	0201676	10
PRZ	3040614	50
PR	3040559	50
PR/2	3040630	50
PZ/2	3040627	50

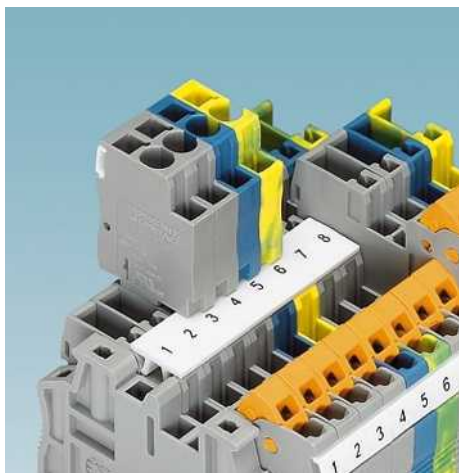
UC-TMF 5, UCT-TMF 5 or ZBF 5 (see Catalog 5)

UC-TMF 5, UCT-TMF 5 or ZBF 5 (see Catalog 5)

UC-TMF 6, UCT-TMF 6 or ZBF 6 (see Catalog 5)

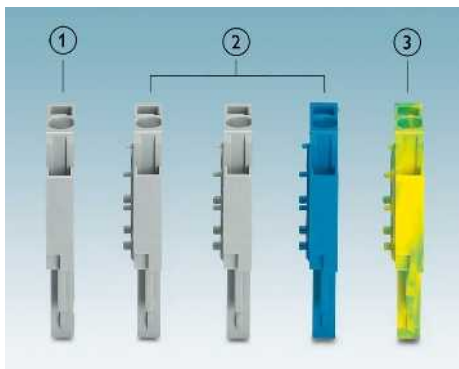
COMBI plug-in connection solutions

ST-COMBI plugs with spring-cage connection for self-assembly



- The ST-COMBI plugs for self-assembly provide solutions that users can implement themselves
- Connector with scope for bridging, for use with basic terminal blocks
- The SPB 2,5/... plug is designed for connecting one conductor and also provides an additional bridging facility
- The SPDB 2,5/... plug is designed for connecting two conductors and also provides an additional bridging facility
- The plug with spring-cage connection is assembled directly on site by snapping together single-position plug elements. See below for an example of how these go together.

- ① SP 2,5/1-L
- ② SP 2,5/1-M and SP 2,5/1-M BU
- ③ SP 2,5/1-R GNYE



Notes:
For further accessories, see page 428.
1) For derating curve, visit www.phoenixcontact.net/products



2.5 (4) mm², 24 A, plug, connection in plug-in direction, bridgeable



Dimensions	
	[mm]
Max. electrical data	
Rated data	
Rated voltage	[V]
Nominal current / cross section	[A] / [mm ²]
Rated cross section	[mm ²]
Cross section range	AWG
Connection capacity	
1 conductor	[mm ²]
Two stranded conductors with a TWIN ferrule	[mm ²]
General data	
Stripping length	[mm]
Insulating material	
Inflammability class according to UL 94	

Technical data			
Width	Length	Height	Height when plugged in
5.2 x No. of pos.	20	39	24
I _{max} [A]	U _{max} [V]	max. Ø [mm ²]	AWG
24 ¹⁾	500	0.08 - 4	28 - 12
IEC 61984			
IEC	UL/CUL	CSA	IEC/EN 60079-7
Rated voltage	600	300	-
Nominal current / cross section	24 ¹⁾ / 2.5	20 / -	20 / -
Rated cross section	2.5	-	-
Cross section range	28 - 12	28-12	24-12
Connection capacity		Ferrule	
solid	stranded	Without / with plastic sleeve	
0.08 - 4	0.08 - 2.5	0.14 - 2.5	0.14 - 2.5
		0.5	
General data			
Stripping length			
10			
PA			
V0			

Description	No. of pos.	Color
ST-COMBI plug, bridgeable, left element		
	1	gray
	1	blue
	1	green-yellow
ST-COMBI plug, bridgeable, center element		
	1	gray
	1	blue
	1	green-yellow
ST-COMBI plug, bridgeable, right element		
	1	gray
	1	blue
	1	green-yellow

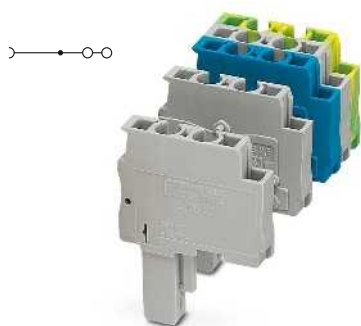
Ordering data			
Type	I _{max}	Order No.	Pcs. / Pkt.
SPB 2,5/ 1-L		3043103	50
SPB 2,5/ 1-L BU		3043116	50
SPB 2,5/ 1-L GNYE		3043129	50
SPB 2,5/ 1-M		3043132	50
SPB 2,5/ 1-M BU		3043145	50
SPB 2,5/ 1-M GNYE		3043158	50
SPB 2,5/ 1-R		3043161	50
SPB 2,5/ 1-R BU		3043174	50
SPB 2,5/ 1-R GNYE		3043187	50

Plug-in bridge	No. of pos.	Color
	2	red
	3	red
	4	red
	5	red
	10	red
	20	red
Test plug metal part, 2.3 mm Ø		
Insulating sleeve, for MPS metal part		red
Modular test plug, for the individual assembly of test plug strips		red
Latching and strain relief, for all connectors with conductor exit at top, 2-pos.		orange
Latching, for connectors, 1-pos.		orange
2-pos.		orange
Strain relief, for plugs, 2-pos.		black
4-pos.		black

Accessories			
FBS 2-5	24 A	3030161	50
FBS 3-5	24 A	3030174	50
FBS 4-5	24 A	3030187	50
FBS 5-5	24 A	3030190	50
FBS 10-5	24 A	3030213	10
FBS 20-5	24 A	3030226	10
MPS-MT		0201744	10
MPS-IH RD		0201676	10
PS-5		3030983	10
PRZ		3040614	50
PR		3040559	50
PR/2		3040630	50
PZ/2		3040627	50
PZ/4		3040643	50

Lateral groove labeling

UC-TMF 5, UCT-TMF 5 or ZBF 5 (see Catalog 5)
--



2.5 (4) mm², 24 A, plug, 2 connections in plug-in direction, bridgeable



Technical data

Width	Length	Height	Height when plugged in
5.2 x No. of pos.	32.7	39	24
I_{max} [A]	U_{max} [V]	max. Ø [mm ²]	AWG
24 ¹⁾	500	0.08 - 4	28 - 12
IEC 61984			
IEC	UL/CUL	CSA	IEC/EN 60079-7
500	600	300	-
24 ¹⁾ / 2.5	20 / -	20 / -	-
2.5	-	-	-
28 - 12	28-12	24-12	-
solid	stranded	Ferrule	
		Without / with plastic sleeve	
0.08 - 4	0.08 - 2.5	0.14 - 2.5	0.14 - 2.5
			0.5

10
PA
V0

Ordering data

Type	I_{max}	Order No.	Pcs. / Pkt.
SPDB 2,5/ 1-L		3043190	50
SPDB 2,5/ 1-L BU		3043200	50
SPDB 2,5/ 1-L GNYE		3043213	50
SPDB 2,5/ 1-M		3043226	50
SPDB 2,5/ 1-M BU		3043239	50
SPDB 2,5/ 1-M GNYE		3043242	50
SPDB 2,5/ 1-R		3043255	50
SPDB 2,5/ 1-R BU		3043268	50
SPDB 2,5/ 1-R GNYE		3043271	50

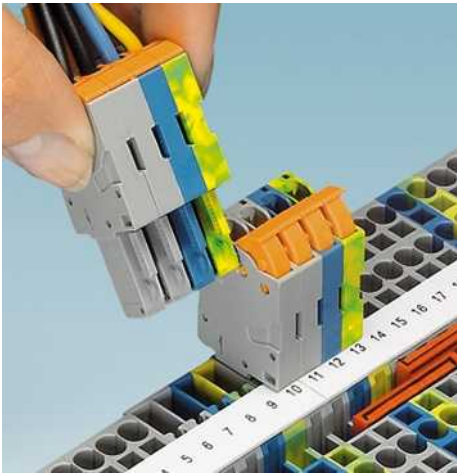
Accessories

FBS 2-5	24 A	3030161	50
FBS 3-5	24 A	3030174	50
FBS 4-5	24 A	3030187	50
FBS 5-5	24 A	3030190	50
FBS 10-5	24 A	3030213	10
FBS 20-5	24 A	3030226	10
MPS-MT		0201744	10
MPS-IH RD		0201676	10
PS-5		3030983	10
PRZ		3040614	50
PR		3040559	50
PR/2		3040630	50
PDZ/2		3040562	50
PDZ/4		3040575	50

UC-TMF 5, UCT-TMF 5 or ZBF 5
(see Catalog 5)

COMBI plug-in connection solutions

COMBI plugs with fast connection



- Just like the basic terminal blocks, the connectors also offer the right connection method for every application
- The QP 1,5/... fast connection connector is designed to connect solid and stranded conductors
- The conductor is connected using the familiar IDC rotation connection with no stripping, thus saving time

Notes:
For further accessories, see page 428.
1) For derating curve, visit www.phoenixcontact.net/products



1.5 (1.5) mm², 17.5 A, plug, connection in plug-in direction



Dimensions		[mm]
Max. electrical data		
Rated data		
Rated voltage	[V]	500
Nominal current / cross section	[A] / [mm ²]	17.5(1) / 1.5
Rated cross section	[mm ²]	1.5
Cross section range	AWG	24 - 16
Connection cross section in acc. with DIN VDE 0295		
H05V(Z) / H07V(Z)	[mm ²]	0.5 - 1.5
Class 5 / Class 6 [litz wires Ø ≥ 0.1 mm]	[mm ²]	0.25 - 0.34
[Litz wires Ø ≥ 0.19 mm]	AWG	24 - 16
Frequency of connections with the same cross section		100
General data		
Insulating material		PA
Inflammability class according to UL 94		V0

Technical data			
Width	Length	Height	Height when plugged in
5.2 x No. of pos.	20	40	24
I _{max} [A]	U _{max} [V]	max. Ø [mm ²]	AWG
17.5(1)	500	0.25 - 1.5	24 - 16
IEC 61984			
IEC	UL/CUL	CSA	IEC/EN 60079-7

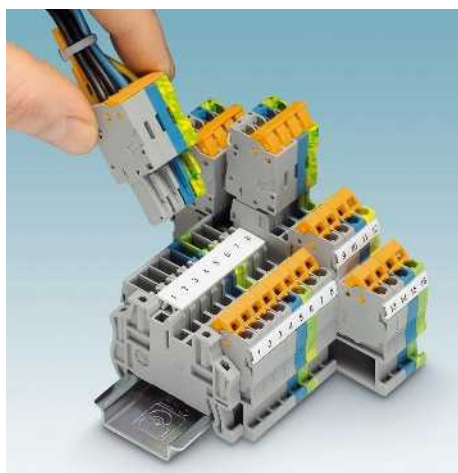
Description	No. of pos.	Width	Color
COMBI plug, with fast connection			
	1	5.2 mm	gray
	2	10.4 mm	gray
	3	15.6 mm	gray
	4	20.8 mm	gray
	5	26 mm	gray
	6	31.2 mm	gray
	7	36.4 mm	gray
	8	41.6 mm	gray
	9	46.8 mm	gray
	10	52 mm	gray
	11	57.2 mm	gray
	12	62.4 mm	gray
	13	67.6 mm	gray
	14	72.8 mm	gray
	15	78 mm	gray
	1	5.2 mm	blue
	1	5.2 mm	green-yellow

Ordering data		
Type	Order No.	Pcs. / Pkt.
QP 1,5/ 1	3051108	50
QP 1,5/ 2	3051111	50
QP 1,5/ 3	3051124	50
QP 1,5/ 4	3051137	50
QP 1,5/ 5	3051140	50
QP 1,5/ 6	3051153	25
QP 1,5/ 7	3051166	25
QP 1,5/ 8	3051179	25
QP 1,5/ 9	3051182	25
QP 1,5/ 10	3051195	25
QP 1,5/ 11	3051205	10
QP 1,5/ 12	3051218	10
QP 1,5/ 13	3051221	10
QP 1,5/ 14	3051234	10
QP 1,5/ 15	3051247	10
QP 1,5/ 1 BU	3051250	50
QP 1,5/ 1 GNYE	3051263	50

Test plug metal part , 2.3 mm Ø	
Insulating sleeve , for MPS metal part	red
Latching and strain relief , for all connectors with conductor exit at top, 2-pos.	orange
Latching , for connectors, 1-pos.	orange
2-pos.	orange
Strain relief , for plugs, 2-pos.	black
4-pos.	black
Screwdriver	
Lateral groove labeling	

Accessories		
Type	Order No.	Pcs. / Pkt.
MPS-MT	0201744	10
MPS-IH RD	0201676	10
PRZ	3040614	50
PR	3040559	50
PR/2	3040630	50
PZ/2	3040627	50
PZ/4	3040643	50
SZF 1-0,6X3,5	1204517	10
UC-TMF 5, UCT-TMF 5 or ZBF 5 (see Catalog 5)		

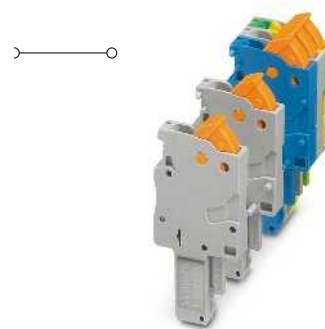
COMBI plugs with fast connection for self-assembly



- The QT-COMBI plugs for self-assembly provide solutions that users can implement themselves
- The QP 1,5/... fast connection connector is designed to connect solid and stranded conductors
- The conductor is connected using the familiar IDC rotation connection with no stripping, thus saving time
- The plug with fast connection is assembled directly on site by snapping together single-position plug elements. See below for an example of how these go together.

- ① QP 1,5/1-L
- ② QP 1,5/1-M and QP 1,5/1-M BU
- ③ QP 1,5/1-R GNYE

Notes:
For further accessories, see page 428.
1) For derating curve, visit www.phoenixcontact.net/products



1.5 (1.5) mm², 17.5 A, plug, connection in plug-in direction



Dimensions	[mm]
-------------------	------

Max. electrical data	
-----------------------------	--

Rated data	
Rated voltage	[V] 500
Nominal current / cross section	[A] / [mm ²] 17.5 ¹⁾ / 1.5
Rated cross section	[mm ²] 1.5
Cross section range	AWG 24 - 16

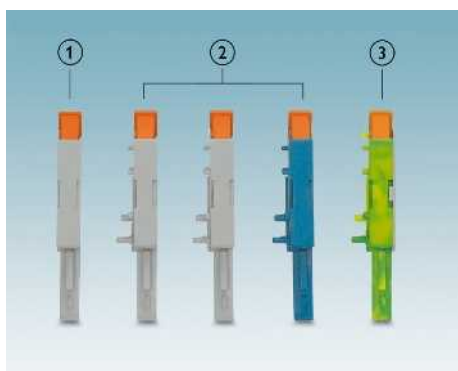
Connection cross section in acc. with DIN VDE 0295	
H05V(Z) / H07V(Z)	[mm ²] 0.5 - 1.5
Class 5 / Class 6 [litz wires Ø ≥ 0.1 mm]	[mm ²] 0.25 - 0.34
[Litz wires Ø ≥ 0.19 mm]	AWG 24 - 16
Frequency of connections with the same cross section	100

General data	
Insulating material	PA
Inflammability class according to UL 94	V0

Technical data			
Width	Length	Height	Height when plugged in
5.2 x No. of pos.	20	40	24
I _{max} [A]	U _{max} [V]	max. Ø [mm ²]	AWG
17.5 ¹⁾	500	0.25 - 1.5	24 - 16
IEC 61984			
IEC	UL/CUL	CSA	IEC/EN 60079-7

Description	No. of pos.	Width	Color
COMBI plug, with fast connection, non-bridgeable, left element			
	1	5.2 mm	gray
	1	5.2 mm	blue
	1	5.2 mm	green-yellow
COMBI plug, with fast connection, non-bridgeable, center element			
	1	5.2 mm	gray
	1	5.2 mm	blue
	1	5.2 mm	green-yellow
COMBI plug, with fast connection, non-bridgeable, right element			
	1	5.2 mm	gray
	1	5.2 mm	blue
	1	5.2 mm	green-yellow

Ordering data		
Type	Order No.	Pcs. / Pkt.
QP 1,5/ 1-L	3051014	50
QP 1,5/ 1-L BU	3051027	50
QP 1,5/ 1-L GNYE	3051030	50
QP 1,5/ 1-M	3051043	50
QP 1,5/ 1-M BU	3051056	50
QP 1,5/ 1-M GNYE	3051069	50
QP 1,5/ 1-R	3051072	50
QP 1,5/ 1-R BU	3051085	50
QP 1,5/ 1-R GNYE	3051098	50



Test plug metal part, 2.3 mm Ø	
Insulating sleeve, for MPS metal part	red
Latching and strain relief, for all connectors with conductor exit at top, 2-pos.	orange
Latching, for connectors, 1-pos.	orange
2-pos.	orange
Strain relief, for plugs, 2-pos.	black
4-pos.	black
Screwdriver	

Accessories		
Accessories	Order No.	Pcs. / Pkt.
MPS-MT	0201744	10
MPS-IH RD	0201676	10
PRZ	3040614	50
PR	3040559	50
PR/2	3040630	50
PZ/2	3040627	50
PZ/4	3040643	50
SZF 1-0,6X3,5	1204517	10

Lateral groove labeling	
--------------------------------	--

UC-TMF 5, UCT-TMF 5 or ZBF 5 (see Catalog 5)	
---	--

Modular terminal blocks - CLIPLINE complete

COMBI plug-in connection solutions

Cross-reference list: COMBI accessories

PZ 1,5/S/2 Order No.: 3212918	PZ/2 Order No.: 3040627	PZ/4 Order No.: 3040643	UPZ/2 Order No.: 3045554	PDZ/2 Order No.: 3040562	PDZ/4 Order No.: 3040575	CZ/2 Order No.: 3043831	PRZ-1,5/S Order No.: 3212905
-------------------------------------	-------------------------------	-------------------------------	--------------------------------	--------------------------------	--------------------------------	-------------------------------	------------------------------------

Accessories



Plugs

	UPBV 2,5...								
	UPBV 4...								
	UP 4...								
	UP 6...								
	PP-H 1,5...								
	PP-H 2,5...								
	PP-H 4...								
	PP-H 6...								
	SP 2,5...								
	SP-H 2,5...								
	SPV 2,5...								
	SP 4...								
	SPB 2,5...								
	SPDB 2,5...								
	QP 1,5...								

Couplings

	PPC 1,5...								
	PPC 6...								
	SC 2,5...								
	SC 4...								

PRZ Order No.: 3040614	UPRZ Order No.: 3045570	PR-1,5/S Order No.: 3212882	PR-1,5/S/2 Order No.: 3212895	PR Order No.: 3040559	PR/2 Order No.: 3040630	PRT/2 Order No.: 3040631	PRV/2 Order No.: 3041862	UPR/2 Order No.: 3045567	PH 1,5/S/... Order No.: 3212...	PH 2,5/... Order No.: 3209...	PH 4/... Order No.: 3000...
------------------------------	-------------------------------	-----------------------------------	-------------------------------------	-----------------------------	-------------------------------	--------------------------------	--------------------------------	--------------------------------	---------------------------------------	-------------------------------------	-----------------------------------



	■							■			
■	■					■		■			
■				■	■	■					
■				■	■	■					
		■	■						■		
■				■	■	■				■	
■				■	■	■					■
■				■	■	■					
■				■	■	■					
■				■	■	■				■	
							■				
■				■	■	■					
■				■	■	■					
				■	■	■					
									■		

COMBI plug-in connection solutions

Strain relief for plugs



- Strain relief can be snapped onto the outside of the connector as an option
- The conductor can be fixed using Phoenix Contact cable binders

Notes:
For possible applications of accessories, see page 427.
For corresponding cable binders, see Catalog 5.



General data	
Material	
Description	Color
Strain relief, for plug and coupling 2-pos.	black
Strain relief, for plugs, 2-pos. 4-pos.	black
Strain relief, for UPBV... connectors, 2-pos.	black

Technical data		
PA-GF		
Ordering data		
Type	Order No.	Pcs. / Pkt.
PZ 1,5/S/2	3212918	50
PZ/2	3040627	50
PZ/4	3040643	50
UPZ/ 2	3045554	50

Strain relief for plugs and couplings



- The strain relief is snapped into the plug center on spring-cage plugs or spring-cage couplings
- The conductor can be fixed using Phoenix Contact cable binders

Notes:
For possible applications of accessories, see page 427.
For corresponding cable binders, see Catalog 5.



General data	
Material	
Description	Color
Strain relief, for SPDB... plug and SC 2,5... coupling, 2-pos. 4-pos.	black
Strain relief, for SC 4... coupling, 2-pos.	black

Technical data		
PA-GF		
Ordering data		
Type	Order No.	Pcs. / Pkt.
PDZ/2	3040562	50
PDZ/4	3040575	50
CZ/2	3043831	50

Latching and strain relief



- Latching and strain relief in one component
- Can be snapped into connector housing as an option
- The conductor can be fixed using Phoenix Contact cable binders

Notes:
For possible applications of accessories, see page 427.
For corresponding cable binders, see Catalog 5.

General data	
Material	
Description	Color
Latching and strain relief , for all connectors with conductor exit at top, 2-pos.	orange
Latching and strain relief , for all connectors with conductor exit at top, 2-pos.	orange
Latching and strain relief , for UPBV.... connectors, 2-pos.	orange



Technical data		
PA-GF		
Ordering data		
Type	Order No.	Pcs. / Pkt.
PRZ 1,5/S	3212905	50
PRZ	3040614	50
UPRZ	3045570	50

Latching



- Can be used in all connector versions
- It is snapped into the outside of the plug housing and hooks onto the terminal block housing when the plug is snapped on

Notes:
For possible applications of accessories, see page 427.

General data	
Material	
Description	Color
Latching , for connectors, 1-pos. 2-pos.	orange
Latching , for connectors, 1-pos. 2-pos.	orange
Latching , for SPV plugs, 2-pos.	orange
Latching , for UPBV connectors, 2-pos.	orange
Latching , for plugs, release with just a screwdriver	orange



Technical data		
PA-GF		
Ordering data		
Type	Order No.	Pcs. / Pkt.
PR 1,5/S	3212882	50
PR 1,5/S/2	3212895	50
PR	3040559	50
PR/2	3040630	50
PRV/2	3041862	50
UPR/ 2	3045567	50
PRT/2	3040631	50

PSH ... shielding

Notes:
For corresponding cable binders, see Catalog 5.



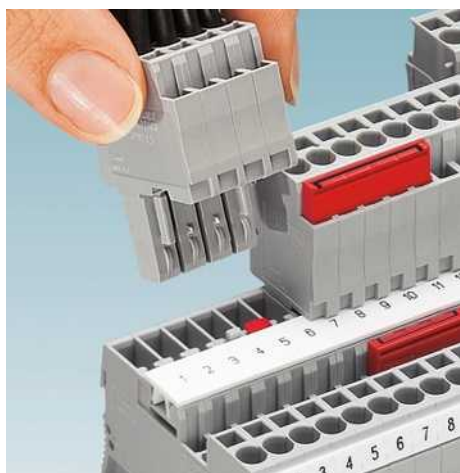
- For connecting shielded cables
- Snapped into strain relief once the connector has been wired
- Connected shielded cable is fixed using a cable binder
- The shielding connecting cable is connected via the connector and then makes direct contact with the terminal block upon connection



General data	
Material	PA
Description	Color
Shielding , for mounting on PZ/... and PRZ, 2-pos., for cables with 3 ... 6 mm diameter, cable length: 55 mm	black
Cable length: 500 mm	black
For cables with 5 ... 10 mm diameter, cable length: 55 mm	black

Technical data		
PA		
Ordering data		
Type	Order No.	Pcs. / Pkt.
PSH 3- 6	3040591	50
PSH 3- 6 500MM	3061525	10
PSH 5-10	3040601	50

PC coding



- Can be used in all terminal blocks, couplings, and PCB base elements
- The individual coding elements are inserted at the coding position in the basic terminal block and the coding tab is removed at the corresponding point of the connector



General data	
Material	
Description	Color
Coding star, with 4 coding branches, can be inserted in all basic terminal blocks	red

Technical data		
PA		
Ordering data		
Type	Order No.	Pcs. / Pkt.
PC	3040588	50



- Robust cable housing for strain relief on connection cables
- Two-section housing
- Easy assembly
- Secure latching on the COMBI plugs and COMBI couplings provided
- Like plugs, can be added without loss of pitch
- Additional scope for labeling to mark the connectors
- The conductor can be fixed using Phoenix Contact cable binders



Cable housing, 3 to 15-pos., snap-in to PP-H 1,5 plug and PPC 1,5 coupling

General data

Material

Technical data

PA

Ordering data

Description	No. of pos.	Width	Color
Cable housing, for PP-H 1,5... and PPC 1,5...			
	3	10,5 mm	gray
	4	14 mm	gray
	5	17,5 mm	gray
	6	21 mm	gray
	7	24,5 mm	gray
	8	28 mm	gray
	9	31,5 mm	gray
	10	35 mm	gray
	11	38,5 mm	gray
	12	42 mm	gray
	13	45,5 mm	gray
	14	49 mm	gray
	15	52,5 mm	gray

Type	Order No.	Pcs. / Pkt.
PH 1,5/S/3	3212756	50
PH 1,5/S/4	3212769	50
PH 1,5/S/5	3212772	50
PH 1,5/S/6	3212785	25
PH 1,5/S/7	3212798	25
PH 1,5/S/8	3212808	25
PH 1,5/S/9	3212811	25
PH 1,5/S/10	3212824	25
PH 1,5/S/11	3212837	10
PH 1,5/S/12	3212840	10
PH 1,5/S/13	3212853	10
PH 1,5/S/14	3212866	10
PH 1,5/S/15	3212879	10

Cable housing, for COMBI plugs SP-H ... and PP-H ...			
	2	10,4 mm	gray
	3	15,6 mm	gray
	4	20,8 mm	gray
	5	26 mm	gray
	6	31,2 mm	gray
	7	36,4 mm	gray
	8	41,6 mm	gray
	9	46,8 mm	gray
	10	52 mm	gray
	11	57,2 mm	gray
	12	62,4 mm	gray
	13	67,6 mm	gray
	14	72,8 mm	gray
	15	78 mm	gray

Cable housing, for PP-H 4... COMBI plugs			
	2	12,4 mm	gray
	3	18,6 mm	gray
	4	24,8 mm	gray
	5	31 mm	gray
	6	37,2 mm	gray
	7	43,4 mm	gray
	8	49,6 mm	gray
	9	55,8 mm	gray
	10	62 mm	gray

Accessories

Bend protection sleeve , for 3-9 mm cable diameter, suitable for PH 1,5/S/5 - PH 1,5/S/8 and PH 2,5/3 - PH 2,5/5	black
Bend protection sleeve , for 4-12 mm cable diameter, suitable for PH 1,5/S/9 - PH 1,5/S/15 and PH 2,5/6 - PH 2,5/15	black
Cable clamp , with screws, suitable for PH 1,5/S/9 - PH 1,5/S/15 and PH 2,5/6 - PH 2,5/15	
Shield connection , suitable for PH 1,5/S/9 - PH 1,5/S/15 and PH 2,5/6 - PH 2,5/15	

CPH 3-9	3212015	25
CPH 4-12	3212028	25
HSR	3212031	25
HSH-METALL	3210910	50



Cable housing, 2 to 15-pos., snap-in to PP-H 2,5... and SP-H 2,5 plugs



Cable housing, 2 to 10-pos., snap-in to PP-H 4 plug

Technical data

PA

Ordering data

Type	Order No.	Pcs. / Pkt.
PH 2,5/ 2	3209691	50
PH 2,5/ 3	3209701	50
PH 2,5/ 4	3209714	50
PH 2,5/ 5	3209727	50
PH 2,5/ 6	3209730	25
PH 2,5/ 7	3209743	25
PH 2,5/ 8	3209756	25
PH 2,5/ 9	3209507	25
PH 2,5/10	3209769	25
PH 2,5/11	3209772	10
PH 2,5/12	3209785	10
PH 2,5/13	3209798	10
PH 2,5/14	3209808	10
PH 2,5/15	3209811	10

Technical data

PA

Ordering data

Type	Order No.	Pcs. / Pkt.
PH 4/2	3000734	50
PH 4/3	3000736	50
PH 4/4	3000737	50
PH 4/5	3000738	50
PH 4/6	3000739	25
PH 4/7	3000740	25
PH 4/8	3000741	25
PH 4/9	3000742	25
PH 4/10	3000743	25

Accessories

CPH 3-9	3212015	25
CPH 4-12	3212028	25
HSR	3212031	25
HSH-METALL	3210910	50

Accessories

CPH 3-9	3212015	25
CPH 4-12	3212028	25
HSR	3212031	25
HSH-METALL	3210910	50

Self-locking flange covers

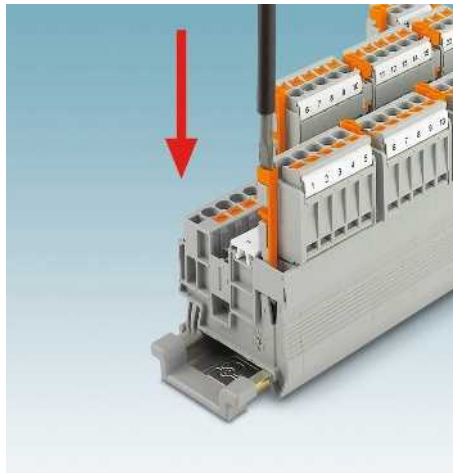


The secure latching protects the connectors from coming loose by mistake.

- The **self-locking flanges** are snapped onto the DIN rail directly
- Same shape and pitch as the basic terminal blocks
- Due to the offset arrangement of the locking holes, only one self-locking flange is required between two neighboring connectors
- The **self-locking flange covers** can be snapped onto the connector housing later on
- Automatic latching in self-locking flange



- When connecting, the connectors latch automatically in the self-locking flange



- The connector is released again by pressing down the locking clip with a screwdriver

General data

Insulating material

Description	Color
Self-locking flange cover, for SPB 2,5	gray
Self-locking flange cover, for SPDB 2,5	gray
Self-locking flange cover, for SP-H 2,5... and PP-H 2,5...	gray
Self-locking flange, for ST 2,5..., STTB 2,5, PT 2,5..., PTTB 2,5	gray
	gray
	gray
	gray
	gray



Self-locking flange cover



Self-locking flange

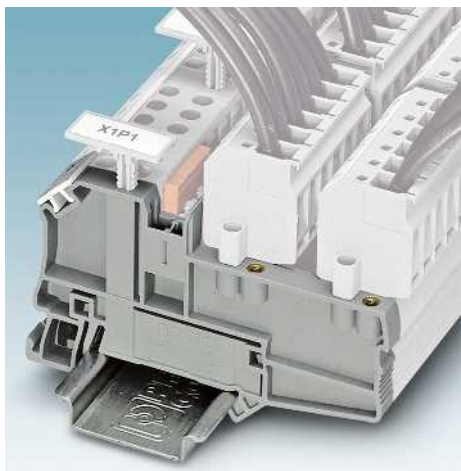


Technical data
PA

Ordering data		
Type	Order No.	Pcs. / Pkt.
DFS-SPB 2,5	3061444	50
DFS-SPDB 2,5	3061457	50
DFS-SP-H 2,5	3061431	50

Technical data
PA

Ordering data		
Type	Order No.	Pcs. / Pkt.
ST 2,5/1P-FS	3061376	50
ST 2,5-TWIN/1P-FS	3061389	50
ST 2,5-QUATTRO/2P-FS	3061392	50
ST 2,5-QUATTRO/4P-FS	3061402	50
ST 2,5/2P-FS	3061415	50
STTB 2,5/2P-FS	3061428	50



The secure latching protects the connectors from coming loose by mistake.

- The **screw flanges** are snapped onto the DIN rail directly
- Same shape and pitch as the basic terminal blocks
- Due to the offset arrangement of the screw sockets, only one basic flange is required between two neighboring connectors
- The **screw flange covers** can be snapped onto the plug housing later on
- For reliably screwing down the connector with the screw flange



Screw flange cover



Technical data

General data

Tightening torque	[Nm]	0,4 - 0,5
Insulating material		PA

Ordering data

Description	Color	Type	Order No.	Pcs. / Pkt.
Screw flange cover , for UP 4 COMBI plug	gray	DF-UP 4	3060348	50
For UP 6 COMBI plug	gray	DF-UP 6	3060856	50
Screw flange cover , for UPBV 2,5 and UPBV 4 COMBI plugs	gray	DF-UPBV 2,5/ 4	3060432	50
Screw flange cover , for SP-H ... and PP-H ... COMBI plugs	gray	DF-SP-H 2,5	3209824	50
Screw flange , for UT-COMBI terminal blocks, when using UPBV 2,5..., SP...2,5... or PP-H 2,5 plugs	gray			
For UT 2,5/1P, UT 2,5/1P-PE				
For UT 2,5-TWIN/1P	gray			
For UTTB 2,5/ 2P, UTTB 2,5/ 2P-PV, UTTB 2,5/ 2P-PE	gray			
For UT 4/ 1P, UT 4/ 1PPE	gray			
For UT 2,5-TWIN/ 1P, UT 2,5-TWIN/ 1P-PE, UT 4-TWIN/ 1P, UT 4-TWIN/ 1P-PE	gray			
For UT 4-QUATTRO/2P, UT 4-QUATTRO/2P-PE	gray			
For UT 6-QUATTRO/2P, UT 6-QUATTRO/2P-PE	gray			
Screw flange , for ST-COMBI terminal blocks, when using UPBV 2,5..., SP...2,5... or PP-H 2,5 plugs	gray			
For ST 2,5/1P, ST 2,5/1P-PE, PT 2,5/1P, PT 2,5/1P-PE				
For ST 2,5/2P, ST 2,5/2P-PE, PT 2,5/2P, PT 2,5/2P-PE	gray			
For ST 2,5-TWIN/1P, ST 2,5-TWIN/1P-PE, PT 2,5-TWIN/1P, PT 2,5-TWIN/1P-PE	gray			
For ST 2,5-QUATTRO/2P, ST 2,5-QUATTRO/2P-PE, ST 2,5-TWIN-MT/1P, ST 2,5-TWIN-TG/1P, PT 2,5-QUATTRO/2P, PT 2,5-QUATTRO/2P-PE	gray			
for ST 2,5-QUATTRO/4P, ST 2,5-QUATTRO/4P-PE	gray			
For STTB 2,5/2P, STTB 2,5/2P-PV, STTB 2,5/2P-PE, PTTB 2,5/2P	gray			
Screw flange , for QT-COMBI terminal blocks, when using UPBV 2,5..., SP...2,5... or PP-H 2,5 plugs	gray			
for QTC 1,5/1P, QTC 1,5/1P-PE				
for QTTCB 1,5/ 2P, QTTCB 1,5/ 2PPE	gray			





Screw flange



Screw flange



Screw flange



Technical data
0.4 - 0.5 PA

Technical data
0.4 - 0.5 PA

Technical data
0.4 - 0.5 PA

Ordering data

Ordering data

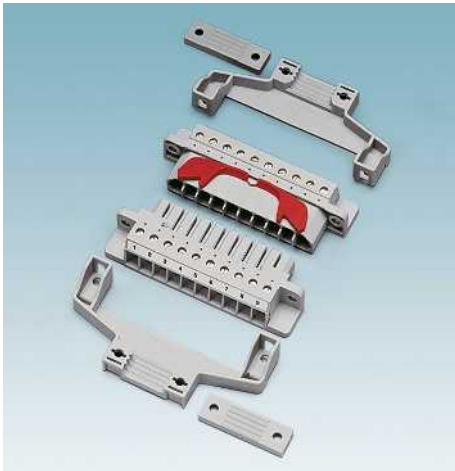
Ordering data

Type	Order No.	Pcs. / Pkt.
UT 2,5/1P-F	3060445	50
UT 2,5-TWIN/1P-F	3061172	50
UTTB 2,5/2P-F	3060474	50
UT 4/ 1P-F	3060458	50
UT 4-TWIN/ 1P-F	3060322	50
UT 4-QUATTRO/ 2P-F	3060335	50
UT 6-QUATTRO/2P-F	3060843	50

Type	Order No.	Pcs. / Pkt.
ST 2,5/1P-F	3209837	50
ST 2,5/2P-F	3061198	50
ST 2,5-TWIN/1P-F	3209840	50
ST 2,5-QUATTRO/2P-F	3209853	50
ST 2,5-QUATTRO/4P-F	3061208	50
STTB 2,5/2P-F	3061169	50

Type	Order No.	Pcs. / Pkt.
QTC 1,5/1P-F	3061211	50
QTTCB 1,5/ 2P-F	3061185	50

HCC 4-... high-current plug-in connectors



High-current plug-in connectors are characterized by the following features:

- High current-carrying capacity for the requirements of connectors which can be freely fitted in the construction of controllers and switchgear
- Screw connection for stranded conductors up to 4 mm², optional socket also for 0.5 - 2.5 mm² crimp connection
- Touch-proof even when unplugged
- Strain relief for plug and socket components
- Two engagement catches automatically ensure against unintentional loosening when plugged in
- Coding is possible without loss of polarity by inserting coding profiles into the plug and socket
- DIN rail mountable on NS 32... or NS 35... thanks to foot element that can be screwed on

Notes:

1) For derating curve, visit www.phoenixcontact.net/products



Plug, 10-pos., with screw connection



Dimensions	
	[mm]
Max. electrical data	
Rated voltage	[V]
Nominal current / cross section	[A] / [mm ²]
Rated cross section	[mm ²]
Cross section range	AWG
Connection capacity	
1 conductor	[mm ²]
Two conductors (of the same type)	[mm ²]
Two stranded conductors with a TWIN ferrule	[mm ²]
General data	
Stripping length	[mm]
Screw thread	
Tightening torque	[Nm]
Insulating material	
Inflammability class according to UL 94	

Technical data				
Width	Length	Height		
92	34.2	18		
I _{max.} [A]	U _{max.} [V]	max. Ø [mm ²]	AWG	
25 ¹⁾	500	0.2 - 4	24 - 12	
IEC 61984				
IEC	UL/CUL	CSA	IEC/EN 60079-7	
Rated voltage	300	300	-	
Nominal current / cross section	20 / -	20 / -	-	
Rated cross section	-	-	-	
Cross section range	24 - 12	30-10	28-10	
Connection capacity		solid	stranded	Ferrule
				Without / with plastic sleeve
1 conductor	0.2 - 4	0.2 - 4	0.25 - 4	0.25 - 4
Two conductors (of the same type)	0.2 - 2.5	0.2 - 2.5	0.25 - 1.5	-
Two stranded conductors with a TWIN ferrule				0.5 - 2.5

Description	Color
Plug, 10-pos., with screw connection	gray
Socket, 10-pos., with screw connection	gray
Plug, 10-pos., with crimp connection, without contacts, for accommodating STG-MTN module socket contacts	gray
Socket, 10-pos., with crimp connection, without contacts, for accommodating STG-MTN module socket contacts	gray

Ordering data		
Type	Order No.	Pcs. / Pkt.
HCC 4-M	1600014	50

Foot element, with M4 x 10 screw, for screwing together with the socket part, for assembly on NS 32... or NS 35...	gray
--	------

Accessories		
Type	Order No.	Pcs. / Pkt.
HCC 4-FE	1600069	50

Module socket contact, is inserted into connector housing STG after the conductor has been crimped, 0.5-1 mm²

for wires from 0.5 ... 1,0 mm² gray
For conductors from 1.5 ... 2.5 mm² silver

Strain relief gray

Coding profile, prevents similar connectors from being mixed up red

Fuse clip, for locking latches

Crimping pliers, for rolled contacts 0.5 - 2.5 mm², four labeled countersunk stations, unlockable pressure lock, side entry, for STG-MTN module and socket contacts too black

Contact removal tool, for removing the module socket contacts gray

Connector labeling

HCC 4-SR	3100224	10
CP-HCC 4	1600027	100
HCC 4-CLIP	1914823	100
CRIMPFOX MT 2,5	1204038	1
SK ... (see Catalog 5)		



Socket, 10-pos., with screw connection



Plug, 10-pos., with crimp connection



Socket, 10-pos., with crimp connection



Technical data			
Width	Length	Height	
92	31.5	18	
I_{max} [A]	U_{max} [V]	max. Ø [mm ²]	AWG
25 ¹⁾	500	0.2 - 4	24 - 12
IEC 61984			
IEC	UL/CUL	CSA	IEC/EN 60079-7
500	300	300	-
25 ¹⁾ / 4	20 / -	20 / -	-
4	-	-	-
24 - 12	30-10	28-10	-
solid	stranded	Ferrule Without / with plastic sleeve	
0.2 - 4	0.2 - 4	0.25 - 4	0.25 - 4
0.2 - 2.5	0.2 - 2.5	0.25 - 1.5	-
			0.5 - 2.5
7			
M3			
0.5 - 0.6			
PA			
V2			

Technical data			
Width	Length	Height	
92	34.6	17	
I_{max} [A]	U_{max} [V]	max. Ø [mm ²]	AWG
13.5	400	0.2 - 4	24 - 12
IEC 61984			
IEC	UL/CUL	CSA	IEC/EN 60079-7
400	-	-	-
13.5 / 1.5	- / -	-	-
2.5	-	-	-
24 - 12	-	-	-
solid	stranded	Ferrule Without / with plastic sleeve	
0.2 - 4	0.2 - 4	0.25 - 4	0.25 - 4
0.2 - 2.5	0.2 - 2.5	0.25 - 1.5	-
			0.5 - 2.5
-			
-			
-			
PA			
V2			

Technical data			
Width	Length	Height	
92	27.6	17	
I_{max} [A]	U_{max} [V]	max. Ø [mm ²]	AWG
13.5	400	0.2 - 4	24 - 12
IEC 61984			
IEC	UL/CUL	CSA	IEC/EN 60079-7
400	-	-	-
13.5 / 1.5	- / -	-	-
2.5	-	-	-
24 - 12	-	-	-
solid	stranded	Ferrule Without / with plastic sleeve	
0.2 - 4	0.2 - 4	0.25 - 4	0.25 - 4
0.2 - 2.5	0.2 - 2.5	0.25 - 1.5	-
			0.5 - 2.5
-			
-			
-			
PA			
V2			

Ordering data		
Type	Order No.	Pcs. / Pkt.
HCC 4-F	1600001	50

Ordering data		
Type	Order No.	Pcs. / Pkt.
HCC 4-MC	1660669	50

Ordering data		
Type	Order No.	Pcs. / Pkt.
HCC 4-FC	1600030	50

Accessories		
HCC 4-FE	1600069	50
HCC 4-SR	3100224	10
CP-HCC 4	1600027	100
HCC 4-CLIP	1914823	100
CRIMPFOX MT 2,5	1204038	1

Accessories		
HCC 4-FE	1600069	50
HCC 4-MC MT 0,5-1,0 BAND	1600108	4000
STG-MTN 1,5-2,5	3190506	100
HCC 4-SR	3100224	10
CP-HCC 4	1600027	100
HCC 4-CLIP	1914823	100
CRIMPFOX MT 2,5	1204038	1
STG-EW	3190441	1

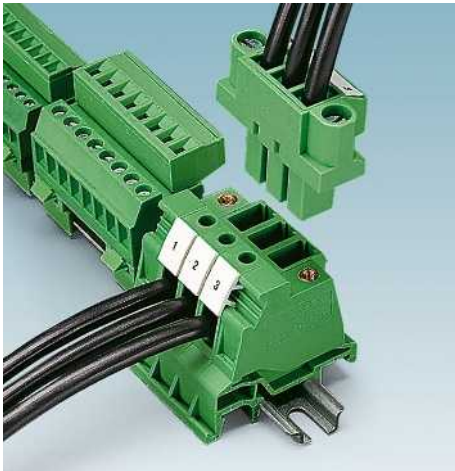
Accessories		
HCC 4-FE	1600069	50
STG-MTN 0,5-1,0 BA	3190629	4000
STG-MTN 1,5-2,5 BAND	3190632	3300
HCC 4-SR	3100224	10
CP-HCC 4	1600027	100
HCC 4-CLIP	1914823	100
CRIMPFOX MT 2,5	1204038	1
STG-EW	3190441	1

SK ... (see Catalog 5)

SK ... (see Catalog 5)

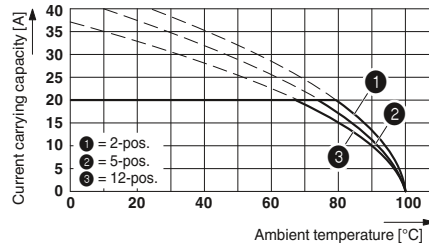
SK ... (see Catalog 5)

Headers with pin contact for DIN rail mounting



- PCVK 4 and UPCV3K 4 establish the plug-in connection between the electronics and the control cabinet
- For mounting on NS 35/... and NS 15... DIN rails according to EN 60715 – or for the UPCV3K 4-G-7,62 – for mounting on NS 35/... and NS 32 DIN rails
- Can be plugged onto PC 4 and PC 5 connector range
- Vibration-resistant connection with flange terminal blocks that can be aligned (-F)
- UPCV3K provides three connector outputs for each terminal point

Notes:
COMBICON select Possible combinations for plug-in connectors can be found in COMBICON select at: www.phoenixcontact.net/products
For DIN rails, see Catalog 5.
1) Please observe the derating curves and laboratory data sheets. Derating curves for other possible combinations available on request.



Representative derating curve for: PC 4/...-ST-7,62 with PCVK 4-7,62
 DIN EN 61984 (VDE 0627):2002-09
 Thermal test group C
 Derating curve, representation based on DIN EN 60512-5-2:2003-01, connected conductor cross section = 4 mm²
 Reduction factor = 0.8
 No. of positions: see diagram

Dimensions	
Dimensions	[mm]
Dimensions	[mm]
Dimensions	[mm]
Max. electrical data	
Rated data	
Rated voltage	[V]
Nominal current / cross section	[A] / [mm ²]
Rated cross section	[mm ²]
Cross section range	AWG
Connection capacity	
1 conductor	[mm ²]
Two conductors (of the same type)	[mm ²]
Two stranded conductors with a TWIN ferrule	[mm ²]
General data	
Stripping length	[mm]
Screw thread	
Tightening torque	[Nm]
Insulating material	
Inflammability class according to UL 94	

Description	No. of pos.	Color
Terminal block , 7.62 mm pitch	1	green
Flange terminal block , arranged on the left and right of PCVK 4-7,62, for safe screw connection of connectors with screw flanges, pitch: 7.62 mm	1	green
Terminal block , 7.62 mm pitch	1	green-yellow
Terminal block , with three vertical COMBICON (Power) connectors/exits, for mounting on NS 32 or NS 35	1	gray
Flange cover , arranged on the left and right of UPCV3K 4-G-7,62, for safe screw connection with the connectors with screw flanges		gray

Coding profile , prevents similar connectors from being mixed up	red
Screwdriver	
Lateral groove labeling	



Single terminal block



Single terminal block as protective conductor



Single terminal block with 3 plug entries



Technical data			
Width	Length	Height NS 35/7,5	
7.62	41.2	36.4	
Width	Length	Height NS 15	
7.62	41.2	-	
Width	Length	Height NS 32	
7.62	41.2	-	
I_{max} [A]	U_{max} [V]	max. \varnothing [mm ²]	AWG
20 ¹⁾	500	0.2 - 4	24 - 12
IEC	UL/CUL	CSA	IEC/EN 60079-7
630	600	300	-
20 ¹⁾ / 4	20 / -	20 / -	-
4	-	-	-
24 - 12	30-10	28-10	-
solid	stranded	Ferrule	
		Without / with plastic sleeve	
0.2 - 4	0.2 - 4	0.25 - 4	0.25 - 4
0.25 - 2.5	0.25 - 2.5	0.25 - 1.5	-
			0.5 - 2.5
10	M3	0.5 - 0.6	PA
			V0

Technical data			
Width	Length	Height NS 35/7,5	
7.62	42.4	36.4	
Width	Length	Height NS 15	
7.62	42.4	-	
Width	Length	Height NS 32	
7.62	42.4	-	
I_{max} [A]	U_{max} [V]	max. \varnothing [mm ²]	AWG
20 ¹⁾	500	0.2 - 4	24 - 12
IEC	UL/CUL	CSA	IEC/EN 60079-7
630	-	-	-
- / 4	-	20 / -	-
4	-	-	-
24 - 12	-	28-10	-
solid	stranded	Ferrule	
		Without / with plastic sleeve	
0.2 - 4	0.2 - 4	0.25 - 4	0.25 - 4
0.25 - 2.5	0.25 - 2.5	0.25 - 1.5	-
			0.5 - 2.5
10	M3	0.5 - 0.6	PA
			V0

Technical data			
Width	Length	Height NS 35/7,5	
7.62	74.4	41.2	
Width	Length	Height NS 15	
7.62	74.4	-	
Width	Length	Height NS 32	
7.62	74.4	46.2	
I_{max} [A]	U_{max} [V]	max. \varnothing [mm ²]	AWG
20 ¹⁾	800	0.2 - 4	24 - 10
IEC	UL/CUL	CSA	IEC/EN 60079-7
1000	600	-	-
20 ¹⁾ / 4	20 / -	-	-
4	-	-	-
24 - 10	30-10	-	-
solid	stranded	Ferrule	
		Without / with plastic sleeve	
0.2 - 4	0.2 - 4	0.25 - 4	0.25 - 4
0.25 - 2.5	0.25 - 2.5	0.25 - 1.5	-
			0.5 - 2.5
10	M3	0.5 - 0.6	PA
			V0

Ordering data			
Type	I_{max}	Order No.	Pcs. / Pkt.
PCVK 4-7,62		1849998	50
PCVK 4-7,62-F		1850000	50
PCVK 4-7,62-PE		1876246	50
UPCV3K 4-G-7,62		1838381	50
UPCV3K-F		1881202	50

Ordering data			
Type	I_{max}	Order No.	Pcs. / Pkt.
PCVK 4-7,62		1849998	50
PCVK 4-7,62-F		1850000	50
PCVK 4-7,62-PE		1876246	50
UPCV3K 4-G-7,62		1838381	50
UPCV3K-F		1881202	50

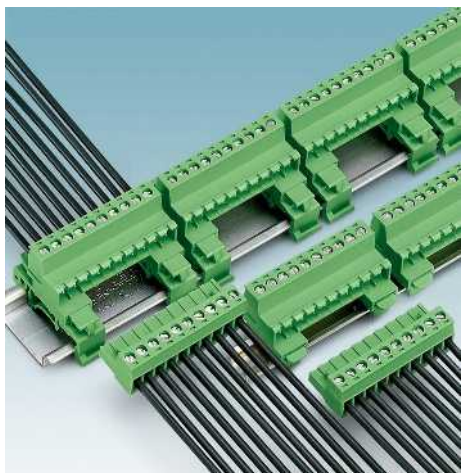
Ordering data			
Type	I_{max}	Order No.	Pcs. / Pkt.
PCVK 4-7,62		1849998	50
PCVK 4-7,62-F		1850000	50
PCVK 4-7,62-PE		1876246	50
UPCV3K 4-G-7,62		1838381	50
UPCV3K-F		1881202	50

Accessories		
CP-HCC 4	1600027	100
SF-SL 0,6X3,5-100 S-VDE	1212587	10
ZB 7,62 (see Catalog 5)		

Accessories		
CP-HCC 4	1600027	100
SF-SL 0,6X3,5-100 S-VDE	1212587	10
ZB 7,62 (see Catalog 5)		

Accessories		
CP-HCC 4	1600027	100
SF-SL 0,6X3,5-100 S-VDE	1212587	10
ZB 7,62 (see Catalog 5)		

Plug-in blocks for rail mounting



- MSTBVK 2,5 with foot element for mounting on the 15 x 5 mm DIN rail (NS 15) in accordance with EN 60715-TH15
- UMSTBHK 2,5 with universal foot for mounting on NS 32 or NS 35 DIN rails
- Can be combined with connectors:
MSTB(P) 2,5/...-ST...
FRONT-MSTB 2,5/...-ST...
FKC(S) 2,5/...-ST...
FKCN 2,5/...-ST...
FKCVR 2,5/...-ST...
ICV 2,5/...-G...

Notes:

In accordance with DIN EN 61984, COMBICON connectors have no switching power. During designated use, they must not be plugged in or disconnected when carrying voltage or under load.

For DIN rails, see Catalog 5.



Inverted connector with screw connection for mounting on NS 15 DIN rail



Technical data

Dimensions		Width	Length	Height NS 35/7,5
[mm]		23.1	52.3	-
Dimensions		Width	Length	Height NS 15
[mm]		23.1	52.3	27.7
Dimensions		Width	Length	Height NS 32
[mm]		23.1	52.3	-
Max. electrical data				
I_{max} [A]	U_{max} [V]	max. Ø [mm ²]	AWG	
12	250	0.2 - 2.5	24 - 12	
Rated data				
Rated voltage	[V]	320	300	300
Nominal current / cross section	[A] / [mm ²]	12 / 2.5	12 / -	10 / -
Rated cross section	[mm ²]	2.5	-	-
Cross section range	AWG	24 - 12	30-12	28-12
Connection capacity				
1 conductor	[mm ²]	0.2 - 2.5	0.2 - 2.5	Without / with plastic sleeve
Two conductors (of the same type)	[mm ²]	0.2 - 1	0.2 - 1.5	0.25 - 2.5 / 0.25 - 2.5
Two stranded conductors with a TWIN ferrule	[mm ²]			0.25 - 1 / -
				Ferrule
				0.5 - 1.5
General data				
Stripping length	[mm]	7		
Screw thread		M3		
Tightening torque	[Nm]	0.5 - 0.6		
Insulating material		PA		
Inflammability class according to UL 94		V0		

Ordering data

Description	No. of pos.	Color	Type	I_{max}	Order No.	Pcs. / Pkt.
Plug-in block, 5.0 mm pitch	10	green	MSTBHK 2,5/10-G		1765085	50
Plug-in block, 5.08 mm pitch	10	green	MSTBHK 2,5/10-G-5,08		1765030	50

Accessories

Coding tab, for MSTB headers, for dividing headers, plugged onto the header pin, made from green insulation material			MSTB-BL		1755477	100
Lock, prevents MSTB plug being pulled out unintentionally, green insulating material			MSTBHK 2,5/ 2 AH		5030185	100
End clamp, to snap on NS 15, for slide-on miniature terminal blocks, can be fastened with a screw, can be labeled with KLM 1	gray		E/MBK		1401637	100
End clamp, to screw on, for NS 35 and NS 32, can be labeled with ZB 6, KLM, KLM-A and UBE	gray		E/UK		1201442	50
Screwdriver			SF-SL 0,6X3,5-100 S-VDE		1212587	10
Lateral groove labeling			SK ... (see Catalog 5)			



Inverted connector with universal foot for mounting on NS 32 and NS 35



Technical data

Width	Length	Height NS 35/7,5	
42.5	52.3	33	
Width	Length	Height NS 15	
42.5	52.3	-	
Width	Length	Height NS 32	
42.5	52.3	38	
I_{max} [A]	U_{max} [V]	max. Ø [mm ²]	AWG
12	250	0.2 - 2.5	24 - 12
IEC	UL/CUL	CSA	IEC/ EN 60079-7
320	300	300	-
12 / 2.5	12 / -	10 / -	-
2.5	-	-	-
24 - 12	30-12	28-12	-
solid	stranded	Ferrule	
		Without / with plastic sleeve	
0.2 - 2.5	0.2 - 2.5	0.25 - 1.5	0.25 - 2.5
0.2 - 1.5	0.2 - 1.5	0.25 - 1	-
			0.5 - 1.5

7
M3
0.5 - 0.6
PA
V0

Ordering data

Type	I_{max}	Order No.	Pcs. / Pkt.
UMSTBHK 2,5/10-G		1765768	50

Accessories

MSTB-BL	1755477	100
MSTBHK 2,5/ 2 AH	5030185	100
E/UK	1201442	50
SF-SL 0,6X3,5-100 S-VDE	1212587	10
SK ... (see Catalog 5)		

Plug-in blocks for rail mounting



- Can be combined with COMBICON connectors with 5.08 mm pitch
- Versions with and without a threaded flange
- Higher numbers of positions up to 24-pos. can be found at:

www.phoenixcontact.net/products

MSTBVK 2,5/...-G(F)-5,08

- With a foot element for mounting on a 15 x 5 mm DIN rail (NS 15) acc. to EN 60715-TH15

UMSTBVK 2,5/...-G(F)-5,08

- With universal foot for mounting on NS 32 or NS 35 DIN rails

Notes:

In accordance with DIN EN 61984, COMBICON connectors have no switching power. During designated use, they must not be plugged in or disconnected when carrying voltage or under load.

For DIN rails, see Catalog 5.



For mounting on NS 15



Technical data

Dimensions		Width	Length	Height NS 35/7,5
[mm]		27.2	-	-
Dimensions		Width	Length	Height NS 15
[mm]		27.2	-	30
Dimensions		Width	Length	Height NS 32
[mm]		27.2	-	-
Max. electrical data				
I_{max} [A]	U_{max} [V]	max. \varnothing [mm ²]	AWG	
12	320	0.2 - 2.5	24 - 12	
Rated data				
Rated voltage	[V]	320	300	300
Nominal current / cross section	[A] / [mm ²]	12 / 2.5	12 / -	10 / -
Rated cross section	[mm ²]	2.5	-	-
Cross section range	AWG	24 - 12	30-12	28-12
Connection capacity				Ferrule
1 conductor	[mm ²]	0.2 - 2.5	0.2 - 2.5	Without / with plastic sleeve
Two conductors (of the same type)	[mm ²]	0.2 - 1	0.2 - 1.5	0.25 - 2.5
Two stranded conductors with a TWIN ferrule	[mm ²]			0.25 - 1
				0.5 - 1.5
General data				
Stripping length	[mm]	7		
Screw thread		M3		
Tightening torque	[Nm]	0.5 - 0.6		
Insulating material		PA		
Inflammability class according to UL 94		V0		

Ordering data

Description	No. of pos.	Color	Type	I_{max}	Order No.	Pcs. / Pkt.
	2	green	MSTBVK 2,5/ 2-G-5,08		1788729	50
	3	green	MSTBVK 2,5/ 3-G-5,08		1788732	50
	4	green	MSTBVK 2,5/ 4-G-5,08		1788745	50
	5	green	MSTBVK 2,5/ 5-G-5,08		1788758	50
	6	green	MSTBVK 2,5/ 6-G-5,08		1788761	50
	7	green	MSTBVK 2,5/ 7-G-5,08		1788774	50
	8	green	MSTBVK 2,5/ 8-G-5,08		1788787	50
	9	green	MSTBVK 2,5/ 9-G-5,08		1788790	50
	10	green	MSTBVK 2,5/10-G-5,08		1788800	50
	11	green	MSTBVK 2,5/11-G-5,08		1788813	50
	12	green	MSTBVK 2,5/12-G-5,08		1788826	50
	13	green	MSTBVK 2,5/13-G-5,08		1788839	50
	14	green	MSTBVK 2,5/14-G-5,08		1788842	50
	15	green	MSTBVK 2,5/15-G-5,08		1788855	50
	16	green	MSTBVK 2,5/16-G-5,08		1788868	50

Accessories

Insertion bridge , fully insulated, for plug-in connectors with 5.0 or 5.08 mm pitch	2		EBP 2-5	1733169	10
Coding tab , for MSTB headers, for dividing headers, plugged onto the header pin, made from green insulation material			MSTB-BL	1755477	100
Coding section , for COMBICON headers, is inserted into the recess on the header			CR-MSTB	1734401	100
Screwdriver			SF-SL 0,6X3,5-100 S-VDE	1212587	10
Lateral groove labeling			SK 5,08 (see Catalog 5)		



With threaded flange for mounting on NS 15



With universal foot for mounting on NS 32 or NS 35



With threaded flange and universal foot for mounting on NS 32 or NS 35



Technical data			
Width	Length	Height NS 35/7,5	
27.2	-	-	
Width	Length	Height NS 15	
27.2	-	30	
Width	Length	Height NS 32	
27.2	-	-	
I_{max} [A]	U_{max} [V]	max. Ø [mm ²]	AWG
12	320	0.2 - 2.5	24 - 12
IEC	UL/CUL	CSA	IEC/EN 60079-7
320	300	300	-
12 / 2.5	12 / -	10 / -	-
2.5	-	-	-
24 - 12	30-12	28-12	-
solid	stranded	Ferrule	
Without / with plastic sleeve			
0.2 - 2.5	0.2 - 2.5	0.25 - 2.5	0.25 - 2.5
0.2 - 1	0.2 - 1.5	0.25 - 1	-
			0.5 - 1.5
7			
M3			
0.5 - 0.6			
PA			
V0			

Technical data			
Width	Length	Height NS 35/7,5	
42.5	-	36	
Width	Length	Height NS 15	
42.5	-	-	
Width	Length	Height NS 32	
42.5	-	41	
I_{max} [A]	U_{max} [V]	max. Ø [mm ²]	AWG
12	320	0.2 - 2.5	24 - 12
IEC	UL/CUL	CSA	IEC/EN 60079-7
320	300	300	-
12 / 2.5	12 / -	10 / -	-
2.5	-	-	-
24 - 12	30-12	28-12	-
solid	stranded	Ferrule	
Without / with plastic sleeve			
0.2 - 2.5	0.2 - 2.5	0.25 - 2.5	0.25 - 2.5
0.2 - 1	0.2 - 1.5	0.25 - 1	-
			0.5 - 1.5
7			
M3			
0.5 - 0.6			
PA			
V0			

Technical data			
Width	Length	Height NS 35/7,5	
42.5	-	36	
Width	Length	Height NS 15	
42.5	-	-	
Width	Length	Height NS 32	
42.5	-	41	
I_{max} [A]	U_{max} [V]	max. Ø [mm ²]	AWG
12	320	0.2 - 2.5	24 - 12
IEC	UL/CUL	CSA	IEC/EN 60079-7
320	300	300	-
12 / 2.5	12 / -	10 / -	-
2.5	-	-	-
24 - 12	30-12	28-12	-
solid	stranded	Ferrule	
Without / with plastic sleeve			
0.2 - 2.5	0.2 - 2.5	0.25 - 2.5	0.25 - 2.5
0.2 - 1	0.2 - 1.5	0.25 - 1	-
			0.5 - 1.5
7			
M3			
0.5 - 0.6			
PA			
V0			

Ordering data			
Type	I_{max}	Order No.	Pcs. / Pkt.
MSTBVK 2,5/ 2-GF-5,08		1788952	50
MSTBVK 2,5/ 3-GF-5,08		1788965	50
MSTBVK 2,5/ 4-GF-5,08		1788978	50
MSTBVK 2,5/ 5-GF-5,08		1788981	50
MSTBVK 2,5/ 6-GF-5,08		1788994	50
MSTBVK 2,5/ 7-GF-5,08		1789003	50
MSTBVK 2,5/ 8-GF-5,08		1803015	50
MSTBVK 2,5/ 9-GF-5,08		1803028	50
MSTBVK 2,5/10-GF-5,08		1803031	50
MSTBVK 2,5/11-GF-5,08		1803044	50
MSTBVK 2,5/12-GF-5,08		1803057	50
MSTBVK 2,5/13-GF-5,08		1803060	50
MSTBVK 2,5/14-GF-5,08		1803073	50
MSTBVK 2,5/15-GF-5,08		1803086	50
MSTBVK 2,5/16-GF-5,08		1803099	50

Ordering data			
Type	I_{max}	Order No.	Pcs. / Pkt.
UMSTBVK 2,5/ 2-G-5,08		1788114	50
UMSTBVK 2,5/ 3-G-5,08		1788127	50
UMSTBVK 2,5/ 4-G-5,08		1788130	50
UMSTBVK 2,5/ 5-G-5,08		1788143	50
UMSTBVK 2,5/ 6-G-5,08		1788156	50
UMSTBVK 2,5/ 7-G-5,08		1788169	50
UMSTBVK 2,5/ 8-G-5,08		1788172	50
UMSTBVK 2,5/ 9-G-5,08		1788185	50
UMSTBVK 2,5/10-G-5,08		1788198	50
UMSTBVK 2,5/11-G-5,08		1788208	50
UMSTBVK 2,5/12-G-5,08		1788211	50
UMSTBVK 2,5/13-G-5,08		1788224	50
UMSTBVK 2,5/14-G-5,08		1788237	50
UMSTBVK 2,5/15-G-5,08		1788240	50
UMSTBVK 2,5/16-G-5,08		1788253	50

Ordering data			
Type	I_{max}	Order No.	Pcs. / Pkt.
UMSTBVK 2,5/ 2-GF-5,08		1787924	50
UMSTBVK 2,5/ 3-GF-5,08		1787937	50
UMSTBVK 2,5/ 4-GF-5,08		1787940	50
UMSTBVK 2,5/ 5-GF-5,08		1787953	50
UMSTBVK 2,5/ 6-GF-5,08		1787966	50
UMSTBVK 2,5/ 7-GF-5,08		1787979	50
UMSTBVK 2,5/ 8-GF-5,08		1787982	50
UMSTBVK 2,5/ 9-GF-5,08		1787995	50
UMSTBVK 2,5/10-GF-5,08		1788004	50
UMSTBVK 2,5/11-GF-5,08		1788017	50
UMSTBVK 2,5/12-GF-5,08		1788020	50
UMSTBVK 2,5/13-GF-5,08		1788033	50
UMSTBVK 2,5/14-GF-5,08		1788046	50
UMSTBVK 2,5/15-GF-5,08		1788059	50
UMSTBVK 2,5/16-GF-5,08		1788062	50

Accessories		
	Order No.	Pcs. / Pkt.
EBP 2-5	1733169	10
MSTB-BL	1755477	100
CR-MSTB	1734401	100
SF-SL 0,6X3,5-100 S-VDE	1212587	10
SK 5,08 (see Catalog 5)		

Accessories		
	Order No.	Pcs. / Pkt.
EBP 2-5	1733169	10
MSTB-BL	1755477	100
CR-MSTB	1734401	100
SF-SL 0,6X3,5-100 S-VDE	1212587	10
SK 5,08 (see Catalog 5)		

Accessories		
	Order No.	Pcs. / Pkt.
EBP 2-5	1733169	10
MSTB-BL	1755477	100
CR-MSTB	1734401	100
SF-SL 0,6X3,5-100 S-VDE	1212587	10
SK 5,08 (see Catalog 5)		

COMBI plug-in connection solutions

Plug-in blocks for rail mounting

- With universal foot for mounting on NS 32 or NS 35 DIN rails
- Versions with and without a threaded flange
- Can be combined with the following plugs:
IC 2,5/...-ST(F)...
FKIC 2,5/...-ST(F)...
FKICS 2,5/...-ST(F)...



With universal foot, for mounting on NS 32 or NS 35



With screw flange and universal foot, for mounting on NS 32 or NS 35

Notes:
In accordance with DIN EN 61984, COMBICON connectors have no switching power. During designated use, they must not be plugged in or disconnected when carrying voltage or under load.
For DIN rails, see Catalog 5.



Dimensions	
	[mm]
Dimensions	
	[mm]
Max. electrical data	
Rated data	
Rated voltage	[V]
Nominal current / cross section	[A] / [mm ²]
Rated cross section	[mm ²]
Cross section range	AWG
Connection capacity	
1 conductor	[mm ²]
Two conductors (of the same type)	[mm ²]
Two stranded conductors with a TWIN ferrule	[mm ²]
General data	
Stripping length	[mm]
Screw thread	
Tightening torque	[Nm]
Insulating material	
Inflammability class according to UL 94	

Technical data			
Width	Length	Height NS 35/7,5	
42.5	-	36	
Width	Length	Height NS 32	
42.5	-	41	
I _{max} [A]	U _{max} [V]	max. Ø [mm ²]	AWG
12	320	0.2 - 2.5	24 - 12
IEC	UL/CUL	CSA	IEC/ EN 60079-7
320	300	300	-
12 / 2.5	12 / -	10 / -	-
2.5	-	-	-
24 - 12	30-12	28-12	-
solid		stranded	
		Ferrule	
		Without / with plastic sleeve	
0.2 - 2.5	0.2 - 2.5	0.25 - 2.5	0.25 - 2.5
0.2 - 1	0.2 - 1.5	0.25 - 1	-
			0.5 - 1.5

Technical data			
Width	Length	Height NS 35/7,5	
42.5	-	36	
Width	Length	Height NS 32	
42.5	-	41	
I _{max} [A]	U _{max} [V]	max. Ø [mm ²]	AWG
12	320	0.2 - 2.5	24 - 12
IEC	UL/CUL	CSA	IEC/ EN 60079-7
320	300	-	-
12 / 2.5	12 / -	-	-
2.5	-	-	-
24 - 12	30-12	-	-
solid		stranded	
		Ferrule	
		Without / with plastic sleeve	
0.2 - 2.5	0.2 - 2.5	0.25 - 2.5	0.25 - 2.5
0.2 - 1	0.2 - 1.5	0.25 - 1	-
			0.5 - 1.5

Description	No. of pos.	Color
Plug-in block, 5.08 mm pitch	5	green
	6	green
	7	green
	8	green
	9	green
	10	green
	11	green
	12	green
	13	green
	14	green
	15	green
	16	green

Ordering data			
Type	I _{max}	Order No.	Pcs. / Pkt.
UMSTBVK 2,5/ 5-ST-5,08		1833849	50
UMSTBVK 2,5/ 6-ST-5,08		1833852	50
UMSTBVK 2,5/ 7-ST-5,08		1833865	50
UMSTBVK 2,5/ 8-ST-5,08		1833878	50
UMSTBVK 2,5/ 9-ST-5,08		1833881	50
UMSTBVK 2,5/10-ST-5,08		1833894	50
UMSTBVK 2,5/11-ST-5,08		1833904	50
UMSTBVK 2,5/12-ST-5,08		1833917	50
UMSTBVK 2,5/13-ST-5,08		1833920	50
UMSTBVK 2,5/14-ST-5,08		1833933	50
UMSTBVK 2,5/15-ST-5,08		1833946	50
UMSTBVK 2,5/16-ST-5,08		1833959	50

Ordering data			
Type	I _{max}	Order No.	Pcs. / Pkt.
UMSTBVK 2,5/ 5-STF-5,08		1859205	50
UMSTBVK 2,5/ 6-STF-5,08		1859218	50
UMSTBVK 2,5/ 7-STF-5,08		1859221	50
UMSTBVK 2,5/ 8-STF-5,08		1859234	50
UMSTBVK 2,5/ 9-STF-5,08		1859247	50
UMSTBVK 2,5/10-STF-5,08		1859250	50
UMSTBVK 2,5/11-STF-5,08		1859263	50
UMSTBVK 2,5/12-STF-5,08		1859276	50
UMSTBVK 2,5/13-STF-5,08		1859289	50
UMSTBVK 2,5/14-STF-5,08		1859292	50
UMSTBVK 2,5/15-STF-5,08		1859302	50
UMSTBVK 2,5/16-STF-5,08		1859315	50

Accessories	
Insertion bridge, fully insulated, for plug-in connectors with 5.0 or 5.08 mm pitch	2
Coding profile, for COMBICON headers, is inserted into the slot on the plug, red insulating material	
Screwdriver	
Lateral groove labeling	

Accessories		
EBP 2- 5	1733169	10
CP-MSTB	1734634	100
SF-SL 0,6X3,5-100 S-VDE	1212587	10
SK 5,08 (see Catalog 5)		

Accessories		
EBP 2- 5	1733169	10
CP-MSTB	1734634	100
SF-SL 0,6X3,5-100 S-VDE	1212587	10
SK 5,08 (see Catalog 5)		

COMBICON cross reference list

For more detailed information on the plugs listed below, see Catalog 1 or:

www.phoenixcontact.net/products

Suitable plugs	Plug-in block	PCVK 4-7,62	PCVK 4-7,62-PE	UPCV3K 4-G-7,62	MSTBHK 2,5/10-G	UMSTBHK 2,5/10-G	MSTBVK 2,5/...-G-5,08	MSTBVK 2,5/...-GF-5,08	UMSTBVK 2,5/...-G-5,08	UMSTBVK 2,5/...-GF-5,08	UMSTBVK 2,5/...-ST-5,08	UMSTBVK 2,5/...-STF-5,08
PC 4 HV/...ST-7,62												
PC 4 HV/...STF-7,62												
PC 4 HV/...STF-SH-7,62												
PC 4/...ST-7,62												
PC 4/...ST-7,62												
SPC 5/...ST-7,62												
SPC 5/...STF-7,62												
SPC 5/...STF-SH-7,62												
PC 5/...ST-7,62												
PC 5/...ST-7,62												
PC 5/...STF-SH-7,62												
MSTB 2,5/...ST(F)...												
MSTB 2,5/...STZF...												
MSTBP 2,5/...ST(F)...												
SMSTB 2,5/...ST(F)...												
MVSTBR 2,5/...ST(F)...												
MVSTBW 2,5/...ST(F)...												
FRONT-MSTB 2,5/...ST(F)...												
IC 2,5/...ST(F)...												
FKC 2,5/...ST(F)...												
FKCS 2,5/...ST(F)...												
FKCN 2,5/...ST(F)...												
FKCVR 2,5/...ST(F)...												
FKCVW 2,5/...ST(F)...												
TVFKC 1,5/...ST(F)...												
TVFKCL 1,5/...ST(F)...												
TFKC 2,5/...ST(F)...												
QC 1/...ST(F)...												
QC 1,5/...ST(F)...												
FKIC 2,5/...ST(F)...												
FKICS 2,5/...ST(F)...												
ICV 2,5/...G...												
MSTBV 2,5/...G...												
MSTBVA 2,5/...G...												
MSTBO 2,5/...G(L)(R)...												
EMSTBVA 2,5/...G...												
CCV 2,5/...G...												
CCVA 2,5/...G...												



RT bolt connection terminal blocks

The RT bolt connection terminal blocks have been developed with a robust design and for the convenient wiring of ring cable lugs. The key feature of these terminal blocks is the folding wing which can be swung up and which features a captive cap nut. This ensures quick and easy ring cable lug wiring.

The integrated screw locking in the form of a spring retainer guarantees safe use, even in applications which are subject to shock and vibration.

All ring cable lugs which comply with DIN 46234, DIN 46235 or DIN 46237 can be connected.

A special characteristic of the bolt connection is the often required multi-conductor connection, on which up to four cable lugs can be connected per bolt.

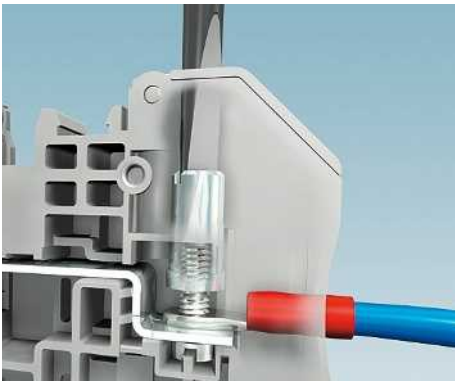
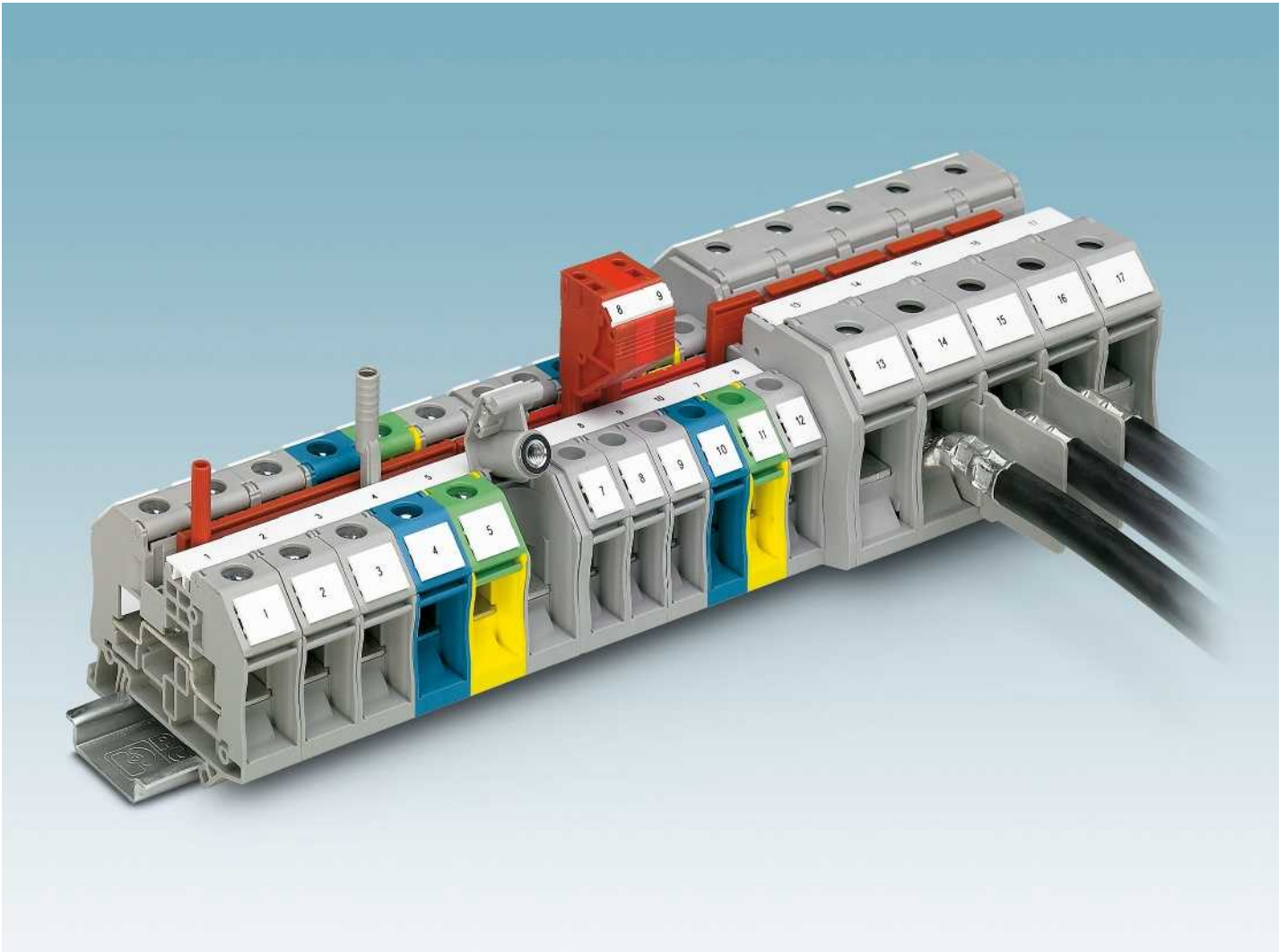
All kinds of conductors up to 240 mm² can be wired securely and with long-term stability.

Product range overview

RT bolt connection terminal blocks	450
Feed-through and test disconnect terminal blocks	452
Ground terminal blocks	454
Feed-through and test disconnect terminal blocks, open, with hexagonal nuts	456
Ground terminal blocks, open, with hexagonal nuts	458
High-current connectors	461

Modular terminal blocks - CLIPLINE complete

RT bolt connection terminal blocks



Robust and zero-maintenance

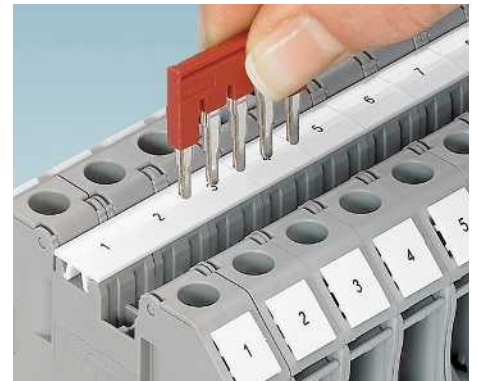
The bolt connection method is used in numerous applications. The benefits are:

- Robust contact
- Zero maintenance thanks to integrated screw retention
- Multi-conductor connection



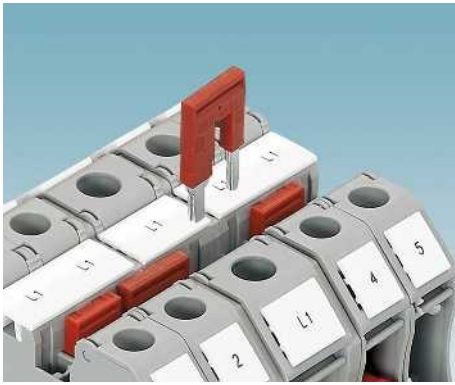
Snap-on PE foot

Ground terminal blocks of the same shape are simply snapped onto the DIN rail in order to make contact. This mechanically and electrically efficient contacting meets all the requirements of standard IEC 60947-7-2.

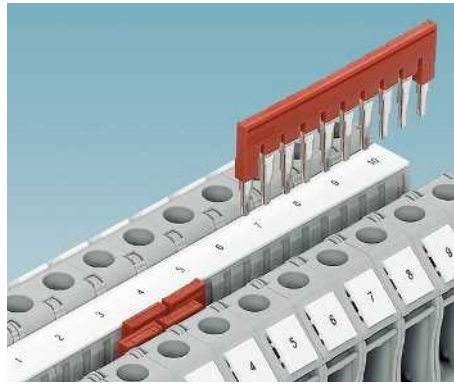


Flexible plug-in bridge system

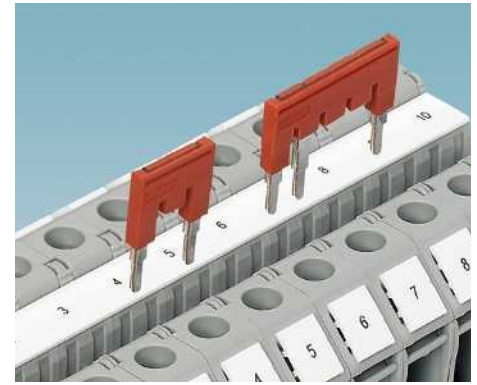
The potential distribution can be implemented at speed with the standardized plug-in bridges. Using two bridge shafts in all terminal blocks makes flexible chain, level or jumping bridges possible.



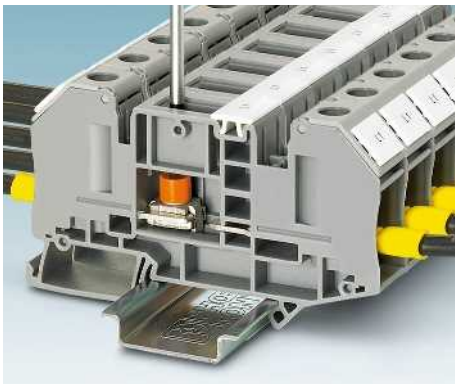
The reducing bridge enables simple connection of terminal blocks with different nominal cross sections, e.g., an RT 8 with an RT 3 terminal block. Power blocks can be created quickly using the reducing bridge.



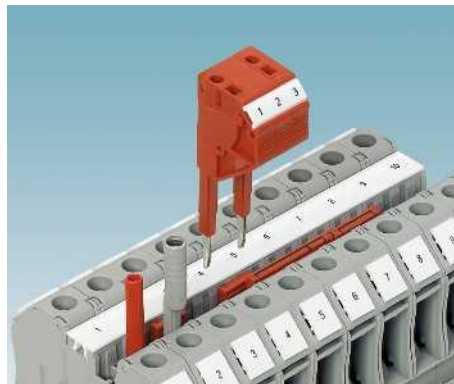
The double function shaft can be used to connect any number of terminal blocks with two-position bridges. The 2 to 50-pos. bridges allow up to 50 terminal blocks to be bridged in one step.



A jumping bridge is created by removing individual contact guides from the standard bridge. Two potentials can then be routed in parallel. The contact points can also be marked.



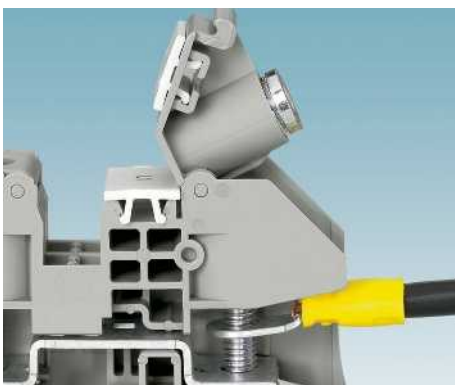
The RT 5-T is used in applications where it must be possible to separate connections. The feed-through can be opened or closed using a screwed disconnect slide without the contact points having to be released.



A test plug with a 2.3 mm diameter is available for measuring lines and a test adapter with a 4 mm diameter is available for safety test plugs. Test adapters can be implemented at speed with the modular test plugs.



Clear labeling can be easily produced with the RT terminal blocks. Large and clear marking in the middle of the terminal block guarantees reliable and quick installation.



The folding wing typical of RT terminal blocks ensures finger protection when using an insulated cable lug. Connecting the conductor is also a much simpler process thanks to the captive, integrated cap nut. Each terminal point can also be labeled on the folding wing itself.



The open RTO series is the same shape as the RT series. This features standard hexagonal nuts rather than the cap nuts used in the folding wing. A version with a transparent cover provides shock protection. The right terminal block is therefore available for every application.



The RT and RTO terminal blocks can be wired with uninsulated cable lugs as well. These are fitted with BE-RT plug-on dividing panels to guarantee the high rated voltages.

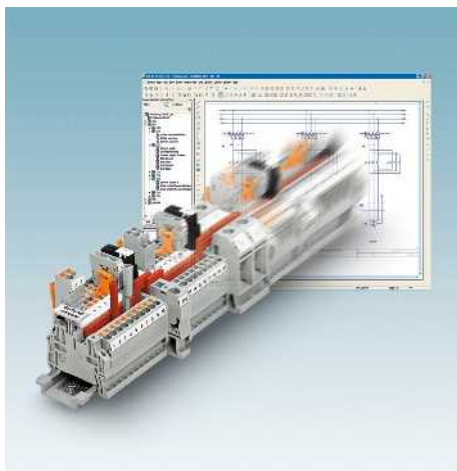
RT bolt connection terminal blocks

RT ... feed-through and test disconnect terminal blocks

The bolt connection terminal blocks for cable lugs up to 35 mm² in accordance with DIN 46234 and DIN 46237 are distinguished by their many advantages in technical applications:

- Simple and fast connection is made possible by hinged cover wings which hold the terminal nuts captive. When the flaps are open, the bolt is freely accessible and the cable lugs can be hooked in. After the flap is closed and engages, the terminal nut is automatically positioned on the threaded bolt and can be easily tightened.
- Simple bridging and potential distribution using the patented plug-in bridges of the CLIPLINE complete system
- Testing with the standardized test adapters and test plugs of the CLIPLINE complete system
- Large-surface labeling options in the terminal center and above the terminal points
- The hinged flaps cover the live metal parts including the insulated cable lugs in the clamping area so that they are touch-proof
- A normal screwdriver can be used for the special clamping nuts
- The screws are secured against loosening by captive spring-loaded spacers
- For the RT 5-T disconnect terminal block, the specific switching state is clearly indicated by the orange disconnect slide screw
- The use of the switching lock effectively prevents unintentional switching
- For optional SB-MER ... switch plug-in bridges which can be used with RT 5... terminal blocks, see page 457

CLIP PROJECT Planning enables the quick and convenient planning and configuration of fault-free terminal strips.

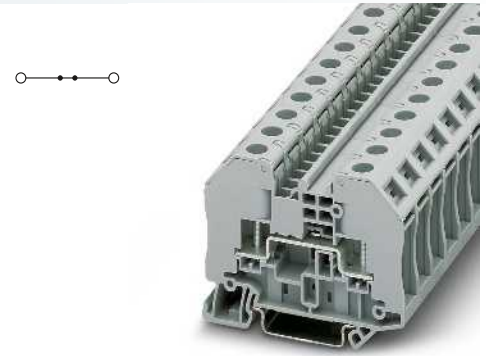


Notes:
When using multi-position PS-... test plugs that are mounted side by side, one DP PS-... spacer plate with the same pitch must be used alternately to achieve the terminal block width, see page 478.
For CARRIER 35-8 separating disk, with storage option for plug-in bridges, see page 159.
For further plug-in bridges, see page 472.
For further bolt connection terminal blocks, see page 618.
1) For installation notes on the use of accessories for Ex e applications, see page 710.
2) Rated voltage for 690 V open disconnect point.

Dimensions		[mm]
Max. electrical data		
Rated data		
Rated voltage	[V]	1000
Nominal current / cross section	[A] / [mm ²]	24 / 2.5
Rated cross section	[mm ²]	2.5
Cross section range	AWG	26 - 14
Connection capacity, bolt connection		
Connection capacity, DIN 46234		
Cable lugs, DIN 46234	[mm ²]	0.5 - 2.5
Connection bolt / hole diameter / width	[mm]	3 / 3.2 / 6
Connection capacity, DIN 46237		
Cable lugs, DIN 46237	[mm ²]	1 - 2.5
Connection bolt / hole diameter / width	[mm]	3 / 3.2 / 6
Color code		red 1.00 mm ² blue 2.50 mm ² yellow
General data		
Disconnect slide: thread / torque	- / [Nm]	- / -
Bolt thread		M3
Tightening torque	[Nm]	0.6 - 0.8
Insulating material		PA
Inflammability class according to UL 94		V0

Description	No. of pos.	Color
Bolt connection terminal block , for mounting on NS 35...		gray
With cable lug connection M3 and 2.3 mm Ø test socket screws		blue
Test disconnect terminal block , for mounting on NS 35		gray

Cover , width 2.2 mm		gray
Plug-in bridge		
	2	red
	3	red
	5	red
	10	red
	20	red
Switching lock , prevents unintentional operation of the disconnect slide		white
Test adapter , 4-mm test socket hole		gray
Test plug metal part , 2.3 mm Ø		
Insulating sleeve , for MPS metal part		red
Modular test plug , for the individual assembly of test plug strips		red
Path extension , to be used for uninsulated cable lugs		gray
Screwdriver		
Labeling of wing flap		
Center groove labeling		



2.5 (2.5) mm², 24 A, feed-through terminal block

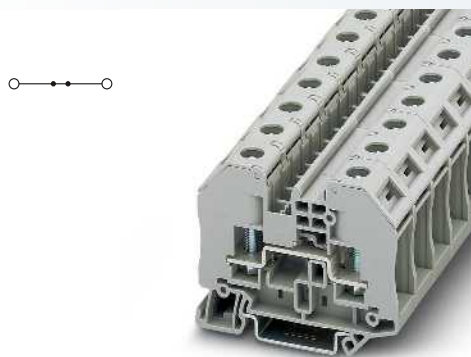
UL 185 PG 14 ABS CB
Ex: Ex

PTB 09ATEX1003U / IECEx PTB 08.0063U

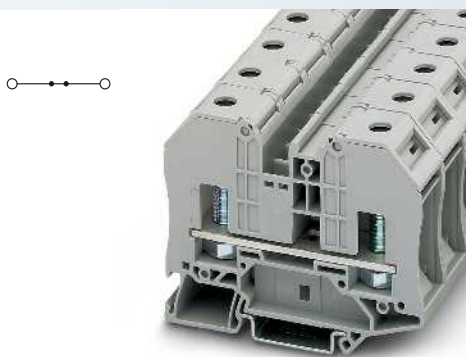
Technical data				
Width	Length	Height NS 35/7.5		
12.3	66	51		
I _{max} [A]	U _{max} [V]	max. Ø [mm ²]	AWG	
24	1000	0.1 - 2.5	26 - 14	
IEC 60947-7-1				
IEC	UL/CUL	CSA	IEC/EN 60079-7	
			550	
			24	
			2.5	
			26 - 14	

Ordering data			
Type	I _{max}	Order No.	Pcs. / Pkt.
RT 3		3049013	50
RT 3 BU		3049110	50

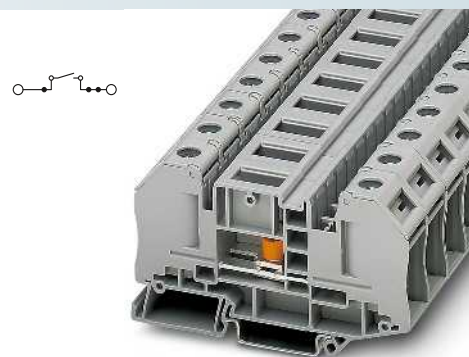
Accessories ¹⁾			
D-RT 3/5		3049097	50
FBS 2-6	32 A	3030336	50
FBS 3-6	32 A	3030242	50
FBS 5-6	32 A	3030349	50
FBS 10-6	32 A	3030271	10
FBS 20-6	32 A	3030365	10
PAI-4-N GY		3032871	10
MPS-MT		0201744	10
MPS-IH RD		0201676	10
PS-6		3030996	10
BE-RT 3/5		3049819	100
SZS 1,0X6,5 VDE		1205079	10
UC-TM 8, UCT-TM 8 or ZB 8 (see Catalog 5)			
UC-TM 12, UCT-TM 12 or ZB 12 (see Catalog 5)			



6 (6) mm², 41 A, feed-through terminal block



35 (35) mm², 125 A, feed-through terminal block



6 (6) mm², 41 A, test disconnect terminal block



Ex:
PTB 09ATEX1003U / IECEx PTB 08.0063U

Technical data			
Width	Length	Height NS 35/7,5	
16.3	66	51	
I _{max} [A]	U _{max} [V]	max. Ø [mm ²]	AWG
41	1000	0.1 - 6	26 - 10
IEC 60947-7-1			
IEC	UL/CUL	CSA	IEC/EN 60079-7
1000	600	-	550
41 / 6	30 / -	-	41
6	-	-	6
26 - 10	-	-	26 - 10
0.5 - 6			
5 / 5.3 / 10			
1 - 6			
5 / 5.3 / 10			
1.00 mm ²			
2.50 mm ²			
6.00 mm ²			
- / -			
M5			
2.5 - 3			
PA			
V0			



Ex:
PTB 09ATEX1003U / IECEx PTB 08.0063U

Technical data			
Width	Length	Height NS 35/7,5	
20.3	84	63.8	
I _{max} [A]	U _{max} [V]	max. Ø [mm ²]	AWG
125	1000	2.5 - 35	14 - 2
IEC 60947-7-1			
IEC	UL/CUL	CSA	IEC/EN 60079-7
1000	600	-	690
125 / 35	115 / -	-	125
35	-	-	35
14 - 2	-	-	14 - 2
2.5 - 35			
8 / 8.4 / 16			
2.5 - 6			
8 / 8.4 / 14			
2.50 mm ²			
6.00 mm ²			
- / -			
M8			
4.5 - 5			
PA			
V0			



PTB 09ATEX1003U / IECEx PTB 08.0063U

Technical data			
Width	Length	Height NS 35/7,5	
16.3	91.4	51	
I _{max} [A]	U _{max} [V]	max. Ø [mm ²]	AWG
41	1000 ²⁾	0.1 - 6	26 - 10
IEC 60947-7-1			
IEC	UL/CUL	CSA	IEC/EN 60079-7
1000 ²⁾	600	-	-
41 / 6	30 / -	-	-
6	-	-	-
26 - 10	-	-	-
0.5 - 6			
5 / 5.3 / 10			
1 - 6			
5 / 5.3 / 10			
1.00 mm ²			
2.50 mm ²			
6.00 mm ²			
M4 / 1.5 - 1.8			
M5			
2.5 - 3			
PA			
V0			

Ordering data			
Type	I _{max}	Order No.	Pcs. / Pkt.
RT 5		3049026	50
RT 5 BU		3049123	50

Ordering data			
Type	I _{max}	Order No.	Pcs. / Pkt.
RT 8		3049042	25
RT 8 BU		3049148	25

Ordering data			
Type	I _{max}	Order No.	Pcs. / Pkt.
RT 5-T		3049039	25

Accessories ¹⁾			
D-RT 3/5		3049097	50
FBS 2-8	41 A	3030284	10
FBS 3-8	41 A	3030297	10
FBS 5-8	41 A	3030310	10
FBS 10-8	41 A	3030323	10
PAI-4-N GY		3032871	10
MPS-MT		0201744	10
MPS-IH RD		0201676	10
PS-8		3031005	10
BE-RT 3/5		3049819	100
SZS 1,0X6,5 VDE		1205079	10

Accessories ¹⁾			
D-RT 8		3049194	50
FBS 2-10	57 A	3005947	10
BE-RT 8		3049916	50
SZS 1,0X6,5 VDE		1205079	10

Accessories ¹⁾			
D-RT 5-T		3049291	50
FBS 2-8	41 A	3030284	10
FBS 3-8	41 A	3030297	10
FBS 5-8	41 A	3030310	10
FBS 10-8	41 A	3030323	10
S-RT 5-T		3049330	50
PAI-4-N GY		3032871	10
MPS-MT		0201744	10
MPS-IH RD		0201676	10
PS-8		3031005	10
BE-RT 3/5		3049819	100
SZS 1,0X6,5 VDE		1205079	10

UC-TM 12, UCT-TM 12 or ZB 12
(see Catalog 5)
UC-TM 16, UCT-TM 16 or ZB 16,3
(see Catalog 5)

UC-TM 16, UCT-TM 16 or ZB 16,3
(see Catalog 5)
ZB 20 (see online catalog)

UC-TM 12, UCT-TM 12 or ZB 12
(see Catalog 5)
UC-TM 16, UCT-TM 16 or ZB 16,3
(see Catalog 5)

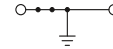
RT bolt connection terminal blocks

RT ...-PE ground terminal blocks



- RT bolt connection terminal blocks are characterized by user-friendly handling and a robust design
- Same shape and pitch as the feed-through terminal blocks
- Contact is made free from mechanical and electrical errors by simply snapping onto the DIN rail
- All the requirements of standard IEC 60947-7-2 are met
These are in particular:
 - Low contact resistance
 - Corrosion-proof terminal points
 - Green-yellow housing
 - Additional options for marking

Notes:
For current carrying capacity of DIN rails, see page 716.
When using multi-position PS-... test plugs that are mounted side by side, one DP PS-... spacer plate with the same pitch must be used alternately to achieve the terminal block width, see page 478.
1) For installation notes on the use of accessories for Ex e applications, see page 710.



2.5 (2.5) mm², ground terminal block

UL US ABS CB

Ex: Ex

PTB 09ATEX1003U / IECEx PTB 08.0063U

Technical data

Dimensions	[mm]	
Width	12.3	66
Length	51	
Height NS 35/7,5	51	
Max. electrical data	max. Ø [mm ²]	
	0.1 - 2.5	
	AWG	
	26 - 14	
Rated data	IEC 60947-7-2	
	IEC	UL/CUL
	CSA	IEC/EN 60079-7
Rated voltage	[V]	-
Nominal current / cross section	[A] / [mm ²]	- / -
Rated cross section	[mm ²]	2.5
Cross section range	AWG	26 - 14
Connection capacity, bolt connection	IEC 60947-7-2	
Connection capacity, DIN 46234	IEC	
Cable lugs, DIN 46234	[mm ²]	0.5 - 2.5
Connection bolt / hole diameter / width	[mm]	3 / 3.2 / 6
Connection capacity, DIN 46237	IEC	
Cable lugs, DIN 46237	[mm ²]	1 - 2.5
Connection bolt / hole diameter / width	[mm]	3 / 3.2 / 6
Color code	red	1.00 mm ²
	blue	2.50 mm ²
	yellow	
General data	M3	
Bolt thread	0.6 - 0.8	
Tightening torque	[Nm]	PA
Insulating material	V0	
Inflammability class according to UL 94		

Description	No. of pos.	Color
Ground terminal block, for mounting on NS 35...		green-yellow

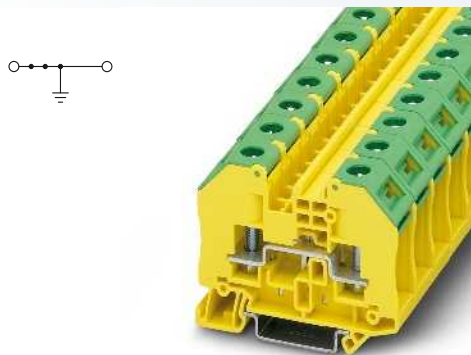
Cover, width 2.2 mm		gray
Plug-in bridge		
	2	red
	3	red
	4	red
	5	red
	10	red
	20	red
Test adapter, 4-mm test socket hole		gray
Test plug metal part, 2.3 mm Ø		
Insulating sleeve, for MPS metal part		red
Modular test plug, for the individual assembly of test plug strips		red
Path extension, to be used for uninsulated cable lugs		gray
Screwdriver		

Labeling of wing flap	
Center groove labeling	

Ordering data		
Type	Order No.	Pcs. / Pkt.
RT 3-PE	3049411	50

Accessories ¹⁾		
Type	Order No.	Pcs. / Pkt.
D-RT 3/5	3049097	50
FBS 2-6	3030336	50
FBS 3-6	3030242	50
FBS 4-6	3030255	50
FBS 5-6	3030349	50
FBS 10-6	3030271	10
FBS 20-6	3030365	10
PAI-4-N GY	3032871	10
MPS-MT	0201744	10
MPS-IH RD	0201676	10
PS-6	3030996	10
BE-RT 3/5	3049819	100
SZS 1,0X6,5 VDE	1205079	10

UC-TM 8, UCT-TM 8 or ZB 8 (see Catalog 5)
UC-TM 12, UCT-TM 12 or ZB 12 (see Catalog 5)



6 (6) mm², ground terminal block

UL US ABS CB

Ex: IEC PTB 09ATEX1003U / IECEx PTB 08.0063U

Technical data

Width	Length	Height NS 35/7,5	
16.3	66	51	
		max. Ø [mm ²]	AWG
		0.1 - 6	26 - 10
IEC 60947-7-2		⊕	
IEC	UL/CUL	CSA	IEC/ EN 60079-7
-	-	-	-
6	- / -	-	6
26 - 10	-	-	26 - 10

0.5 - 6
5 / 5.3 / 10

1 - 6
5 / 5.3 / 10
1.00 mm²
2.50 mm²
6.00 mm²

M5
2.5 - 3
PA
V0

Ordering data

Type	Order No.	Pcs. / Pkt.
RT 5-PE	3049424	50

Accessories¹⁾

D-RT 3/5	3049097	50
FBS 2-8	3030284	10
FBS 3-8	3030297	10
FBS 4-8	3030307	10
FBS 5-8	3030310	10
FBS 10-8	3030323	10
PAI-4-N GY	3032871	10
MPS-MT	0201744	10
MPS-IH RD	0201676	10
PS-8	3031005	10
BE-RT 3/5	3049819	100
SZS 1,0X6,5 VDE	1205079	10

UC-TM 12, UCT-TM 12 or ZB 12
(see Catalog 5)
UC-TM 16, UCT-TM 16 or ZB 16,3
(see Catalog 5)

Modular terminal blocks - CLIPLINE complete

RT bolt connection terminal blocks

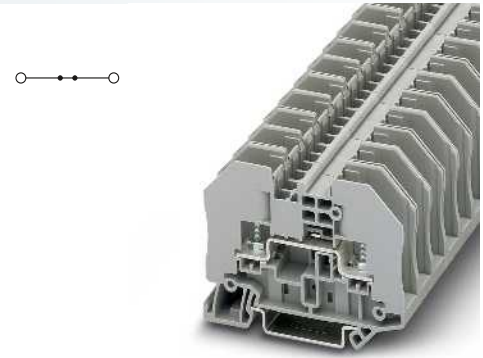
Feed-through and test disconnect terminal blocks, open, with hexagonal nuts, RTO ...

The open bolt connection terminal blocks for cable lugs up to 35 mm² in accordance with DIN 46234 and DIN 46237 are distinguished by their many advantages in technical applications:

- Four bridge shafts per terminal block
- Simple bridging and potential distribution using the patented plug-in bridges of the CLIPLINE complete system
- Testing with the standardized test adapters and test plugs of the CLIPLINE complete system
- Terminal point always freely accessible
- A normal hexagon Allen wrench can be used for the clamping nuts. Phoenix Contact offers corresponding tools to make wiring easy
- The screws are secured against loosening by captive spring-loaded spacers
- For the RTO 5-T disconnect terminal block, the specific switching state is clearly indicated by the orange disconnect slide screw
- The use of the switching lock effectively prevents unintentional switching

The RTO ...-TC versions have a transparent shock protection hood, see figure below

Notes:
For additional information on the SF-ASD 21 cordless screwdriver, see Catalog 5.
When using multi-position PS-... test plugs that are mounted side by side, one DP PS-... spacer plate with the same pitch must be used alternately to achieve the terminal block width, see page 478.
For CARRIER 35-8 separating disk, with storage option for plug-in bridges, see page 159.
For further plug-in bridges, see page 472.
1) For installation notes on the use of accessories for Ex e applications, see page 710.
2) Rated voltage for 690 V open disconnect point.



2.5 (2.5) mm², 24 A, feed-through terminal block

UL 94 V-0, Ex, ABS CB

PTB 09ATEX1003U / IECEx PTB 08.0063U

Dimensions	[mm]
Max. electrical data	
Rated data	
Rated voltage	[V]
Nominal current / cross section	[A] / [mm ²]
Rated cross section	[mm ²]
Cross section range	AWG
Connection capacity, bolt connection	
Connection capacity, DIN 46234	
Cable lugs, DIN 46234	[mm ²]
Connection bolt / hole diameter / width	[mm]
Connection capacity, DIN 46237	
Cable lugs, DIN 46237	[mm ²]
Connection bolt / hole diameter / width	[mm]
Color code	
General data	
Disconnect slide: thread / torque	- / [Nm]
Bolt thread	M3
Tightening torque	[Nm]
Insulating material	PA
Inflammability class according to UL 94	V0

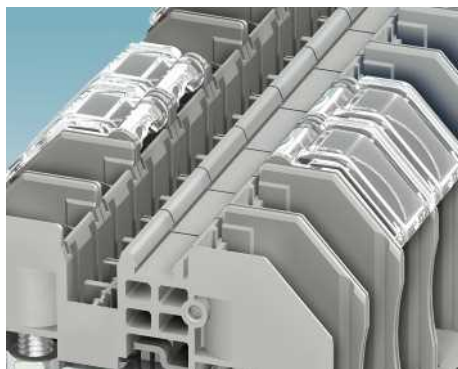
Technical data			
Width	Length	Height NS 35/7,5	
12.3	66	49.9	
I _{max} [A]	U _{max} [V]	max. Ø [mm ²]	AWG
24	1000	0.1 - 2.5	26 - 14
IEC 60947-7-1			
IEC	UL/CUL	CSA	IEC/EN 60079-7
1000	600	-	550
24 / 2.5	30 / -	-	24
2.5	-	-	2.5
26 - 14	-	-	26 - 14

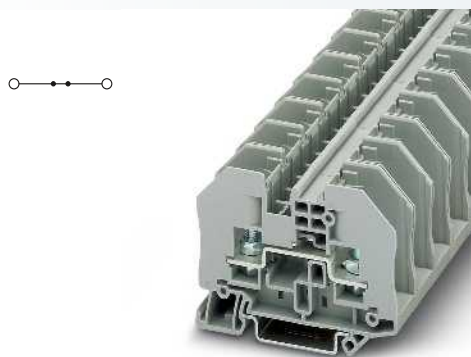
Description	No. of pos.	Color
Bolt connection terminal block , for mounting on NS 35...		gray
With transparent shock-protection hood		gray
Test disconnect terminal block , for mounting on NS 35		gray
With transparent shock-protection hood		gray

Cover, width 2.2 mm	gray
Plug-in bridge	
	2 red
	10 red
	20 red
Switching jumper, plug-in	
	2 gray/orange
	3 gray/orange
	4 gray/orange
Switching lock , prevents unintentional operation of the disconnect slide	white
Test adapter , 4-mm test socket hole	gray
Modular test plug , for the individual assembly of test plug strips	red
Path extension , to be used for uninsulated cable lugs	gray
Socket wrench , hexagon	
Center groove labeling	

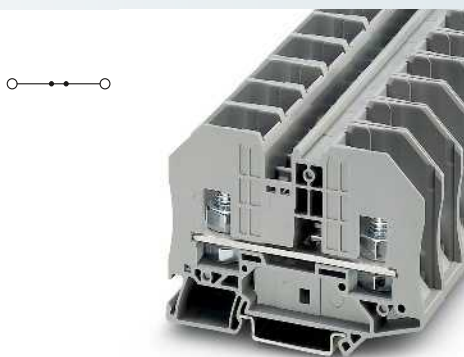
Ordering data			
Type	I _{max}	Order No.	Pcs. / Pkt.
RTO 3		3049518	50
RTO 3 BU		3049660	50
RTO 3-TC		3049945	50
RTO 3-TC BU		3049835	50

Accessories ¹⁾			
D-RT 3/5		3049097	50
FBS 2-6	32 A	3030336	50
FBS 10-6	32 A	3030271	10
FBS 20-6	32 A	3030365	10
PAI-4-N GY		3032871	10
PS-6		3030996	10
BE-RT 3/5		3049819	100
SHN 5.5		1209855	1
UC-TM 12, UCT-TM 12 or ZB 12 (see Catalog 5)			

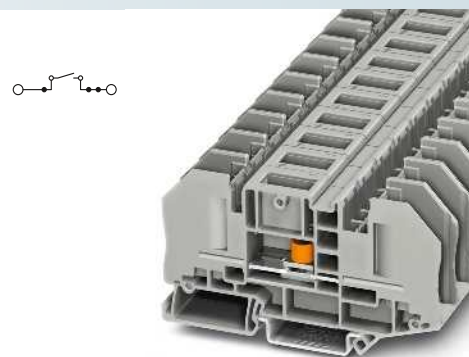




6 (6) mm², 41 A, feed-through terminal block



35 (35) mm², 125 A, feed-through terminal block



6 (6) mm², 41 A, test disconnect terminal block



Ex:
PTB 09ATEX1003U / IECEx PTB 08.0063U

Technical data			
Width	Length	Height NS 35/7,5	
16.3	66	49.9	
I_{max} [A]	U_{max} [V]	max. Ø [mm ²]	AWG
41	1000	0.1 - 6	26 - 10
IEC 60947-7-1			
IEC	UL/CUL	CSA	IEC/EN 60079-7
1000	600	-	550
41 / 6	30 / -	-	41
6	-	-	6
26 - 10	-	-	26 - 10
0.5 - 6			
5 / 5.3 / 10			
1 - 6			
5 / 5.3 / 10			
1.00 mm ²			
2.50 mm ²			
6.00 mm ²			
- / -			
M5			
2.5 - 3			
PA			
V0			



Ex:
PTB 09ATEX1003U / IECEx PTB 08.0063U

Technical data			
Width	Length	Height NS 35/7,5	
20.2	84	62.2	
I_{max} [A]	U_{max} [V]	max. Ø [mm ²]	AWG
125	1000	2.5 - 35	14 - 2
IEC 60947-7-1			
IEC	UL/CUL	CSA	IEC/EN 60079-7
1000	600	-	690
125 / 35	115 / -	-	125
35	-	-	35
14 - 2	-	-	14 - 2
2.5 - 35			
8 / 8.4 / 16			
2.5 - 6			
8 / 8.4 / 14			
2.50 mm ²			
6.00 mm ²			
- / -			
M8			
4.5 - 5			
PA			
V0			



PTB 09ATEX1003U / IECEx PTB 08.0063U

Technical data			
Width	Length	Height NS 35/7,5	
16.3	91.4	49.9	
I_{max} [A]	U_{max} [V]	max. Ø [mm ²]	AWG
41	1000 ²⁾	0.1 - 6	26 - 10
IEC 60947-7-1			
IEC	UL/CUL	CSA	IEC/EN 60079-7
1000 ²⁾	600	-	-
41 / 6	30 / -	-	-
6	-	-	-
26 - 10	-	-	-
0.5 - 6			
5 / 5.3 / 10			
1 - 6			
5 / 5.3 / 10			
1.00 mm ²			
2.50 mm ²			
6.00 mm ²			
M4 / 1.5 - 1.8			
M5			
2.5 - 3			
PA			
V0			

Ordering data			
Type	I_{max}	Order No.	Pcs. / Pkt.
RTO 5		3049521	50
RTO 5 BU		3049767	50
RTO 5-TC		3049961	50
RTO 5-TC BU		3049851	50

Ordering data			
Type	I_{max}	Order No.	Pcs. / Pkt.
RTO 8		3049343	25
RTO 8 BU		3049864	25
RTO 8-TC		3050002	25
RTO 8-TC BU		3049929	25

Ordering data			
Type	I_{max}	Order No.	Pcs. / Pkt.
RTO 5-T		3049233	25
RTO 5-T-TC		3049990	25

Accessories ¹⁾			
D-RT 3/5		3049097	50
FBS 2-8	41 A	3030284	10
FBS 10-8	41 A	3030323	10
SB-MER 2-8		3000587	10
SB-MER 3-8		3000588	10
SB-MER 4-8		3000589	10
PAI-4-N GY		3032871	10
PS-8		3031005	10
BE-RT 3/5		3049819	100
SHN 8		1209868	1

Accessories ¹⁾			
D-RT 8		3049194	50
FBS 2-10	57 A	3005947	10
BE-RT 8		3049916	50
SHN 13		1209923	1

Accessories ¹⁾			
D-RT 5-T		3049291	50
FBS 2-8	41 A	3030284	10
FBS 10-8	41 A	3030323	10
SB-MER 2-8		3000587	10
SB-MER 3-8		3000588	10
SB-MER 3-8		3000588	10
S-RT 5-T		3049330	50
PAI-4-N GY		3032871	10
PS-8		3031005	10
BE-RT 3/5		3049819	100
SHN 8		1209868	1

UC-TM 16, UCT-TM 16 or ZB 16,3 (see Catalog 5)

ZB 20 (see online catalog)

UC-TM 16, UCT-TM 16 or ZB 16,3 (see Catalog 5)

Modular terminal blocks - CLIPLINE complete

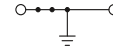
RT bolt connection terminal blocks

Ground terminal blocks, open, with hexagonal nuts, RTO ...-PE

- Same shape and pitch as the feed-through terminal blocks
- Contact is made free from mechanical and electrical errors by simply snapping onto the DIN rail
- All the requirements of standard IEC 60947-7-2 are met
These are in particular:
- Low contact resistance
- Corrosion-proof terminal points
- Green-yellow housing and
- Another labeling option

The RTO ...-PE-TC versions have a transparent shock protection hood, see figure below

Notes:
For current carrying capacity of DIN rails, see page 716.
For additional information on the SF-ASD 21 cordless screwdriver, see Catalog 5.
When using multi-position PS-... test plugs that are mounted side by side, one DP PS-... spacer plate with the same pitch must be used alternately to achieve the terminal block width, see page 478.
¹⁾ For installation notes on the use of accessories for Ex e applications, see page 710.



2.5 (2.5) mm², ground terminal block

UL US ABS CB

Ex: Ex

PTB 09ATEX1003U / IECEx PTB 08.0063U

Technical data

Dimensions		[mm]	
Max. electrical data			
Rated data			
Rated voltage	[V]	-	-
Nominal current / cross section	[A] / [mm ²]	-	- / -
Rated cross section	[mm ²]	2.5	-
Cross section range	AWG	26 - 14	-
Connection capacity, bolt connection			
Connection capacity, DIN 46234			
Cable lugs, DIN 46234	[mm ²]	0.5 - 2.5	
Connection bolt / hole diameter / width	[mm]	3 / 3.2 / 6	
Connection capacity, DIN 46237			
Cable lugs, DIN 46237	[mm ²]	1 - 2.5	
Connection bolt / hole diameter / width	[mm]	3 / 3.2 / 6	
Color code		red 1.00 mm ² blue 2.50 mm ² yellow	
General data			
Bolt thread		M3	
Tightening torque	[Nm]	0.6 - 0.8	
Insulating material		PA	
Inflammability class according to UL 94		V0	

Width	Length	Height NS 35/7,5	
12.3	66	49.9	
		max. Ø [mm ²]	AWG
		0.1 - 2.5	26 - 14
IEC 60947-7-2			
IEC	UL/CUL	CSA	IEC/EN 60079-7
-	-	-	-
-	- / -	-	-
-	-	-	2.5
-	-	-	26 - 14

Description	No. of pos.	Color
Ground terminal block , for mounting on NS 35...		green-yellow
With transparent shock-protection hood		green-yellow

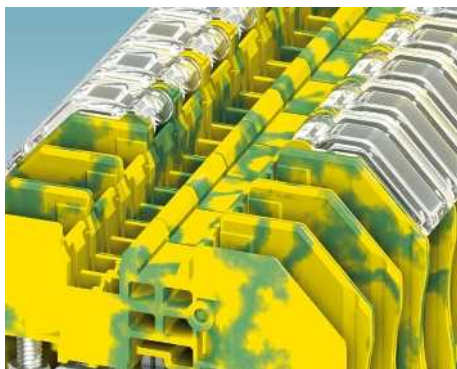
Ordering data

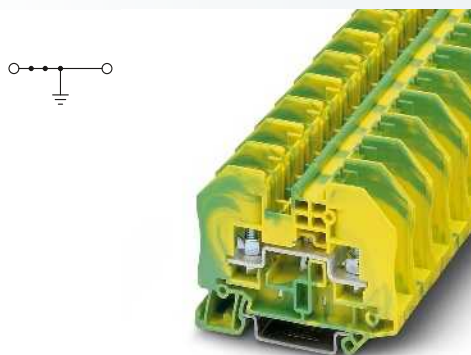
Type	Order No.	Pcs. / Pkt.
RTO 3-PE	3049615	50
RTO 3-PE-TC	3049958	50

Description	No. of pos.	Color
Cover , width 2.2 mm		gray
Plug-in bridge		
	2	red
	3	red
	4	red
	5	red
	10	red
	20	red
Test adapter , 4-mm test socket hole		gray
Test plug metal part , 2.3 mm Ø		
Insulating sleeve , for MPS metal part		red
Modular test plug , for the individual assembly of test plug strips		red
Path extension , to be used for uninsulated cable lugs		gray
Socket wrench , hexagon		
Center groove labeling		

Accessories¹⁾


Type	Order No.	Pcs. / Pkt.
D-RT 3/5	3049097	50
FBS 2-6	3030336	50
FBS 3-6	3030242	50
FBS 4-6	3030255	50
FBS 5-6	3030349	50
FBS 10-6	3030271	10
FBS 20-6	3030365	10
PAI-4-N GY	3032871	10
MPS-MT	0201744	10
MPS-IH RD	0201676	10
PS-6	3030996	10
BE-RT 3/5	3049819	100
SHN 5.5	1209855	1
UC-TM 12, UCT-TM 12 or ZB 12 (see Catalog 5)		






6 (6) mm², ground terminal block




Ex:  
 PTB 09ATEX1003U / IECEx PTB 08.0063U

Technical data

Width	Length	Height NS 35/7,5	
16.3	66	49.9	
		max. Ø [mm ²]	AWG
		0.1 - 6	26 - 10
IEC 60947-7-2			
IEC	UL/CUL	CSA	IEC/ EN 60079-7
-	-	-	-
6	- / -	-	6
26 - 10	-	-	26 - 10

0.5 - 6
5 / 5.3 / 10

1 - 6
5 / 5.3 / 10
1.00 mm²
2.50 mm²
6.00 mm²

M5
2.5 - 3
PA
V0

Ordering data

Type	Order No.	Pcs. / Pkt.
RTO 5-PE	3049628	50
RTO 5-PE-TC	3049974	50

Accessories¹⁾

D-RT 3/5	3049097	50
FBS 2-8	3030284	10
FBS 3-8	3030297	10
FBS 4-8	3030307	10
FBS 5-8	3030310	10
FBS 10-8	3030323	10
PAI-4-N GY	3032871	10
MPS-MT	0201744	10
MPS-IH RD	0201676	10
PS-8	3031005	10
BE-RT 3/5	3049819	100
SHN 8	1209868	1

UC-TM 16, UCT-TM 16 or ZB 16,3
(see Catalog 5)

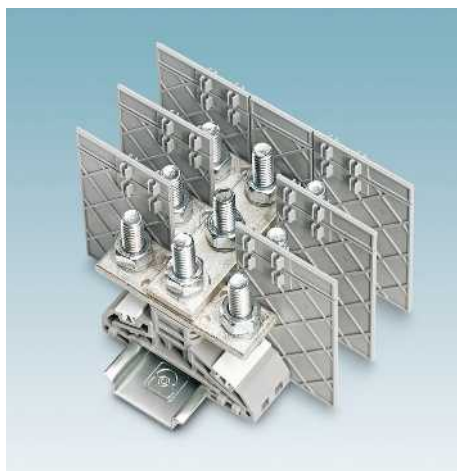
Modular terminal blocks - CLIPLINE complete

RT bolt connection terminal blocks

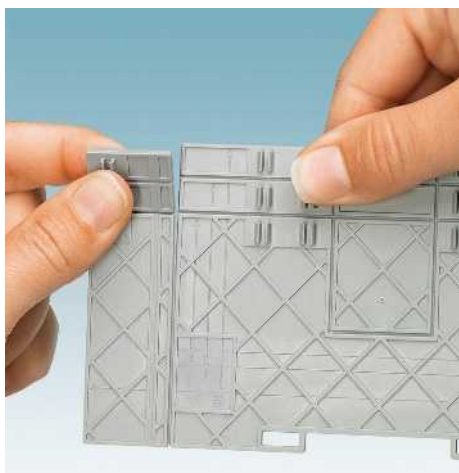
HV ... high-current connectors



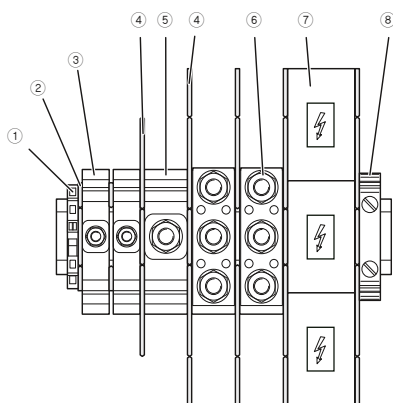
- Secure connection of up to 4 conductors with cable lugs according to DIN 46234, 46235, and 46237 in very tight spaces
- Spring washers are used to prevent hexagonal nuts from loosening
- Extensive range of accessories for safe and comfortable wiring of conductors up to 120 mm²



- Two and three-pos. connection rails are available for potential distribution
- The feed-through window provided in the partition plates can be easily removed for mounting the connection rails



- Two different partition plates can be used for the family of single and twin bolt terminal blocks
- Labeling the partition plates allows their height and length to be adapted at the respective bolt terminal blocks



- ① CLIPFIX 35-5 end bracket
- ② HV M12/1-TP partition plate
- ③ HV M5/1 or HV M6/1 high-current connectors
- ④ HV M12/2-TP partition plate
- ⑤ HV M8/1, HV M10/1 or HV M12/1 high-current connectors
- ⑥ HV M6/2, HV M8/2 or HV M10/2 high-current connectors
- ⑦ HV M10/1-AP cover
- ⑧ E/AL-NS 35 end bracket

Dimensions

[mm]

Max. electrical data

Rated data

Rated voltage	[V]
Nominal current / cross section	[A] / [mm ²]
Rated cross section	[mm ²]
Cross section range	AWG

Connection capacity, bolt connection

Cable lugs, DIN 46234	[mm ²]
Cable lugs, DIN 46235	[mm ²]
Cable lugs, DIN 46237	[mm ²]

General data

Bolt length	[mm]
Screw thread	
Tightening torque	[Nm]
Insulating material	
Inflammability class according to UL 94	

Description	No. of pos.	Color
High-current connectors, for mounting NS 35...		gray

Connection rail, for cross connection of high-current connectors	2	silver
	3	silver

Reducing bridge, for connecting HV M8/1 to HV M6/1

Reducing bridge, for connecting HV M10/1 to HV M6/1

Separating plate	gray
Cover	gray
Adhesive warning plate, self-adhesive, black print: Lightning flash with mixed version: "Vorsicht Spannung – Attention Danger"	yellow

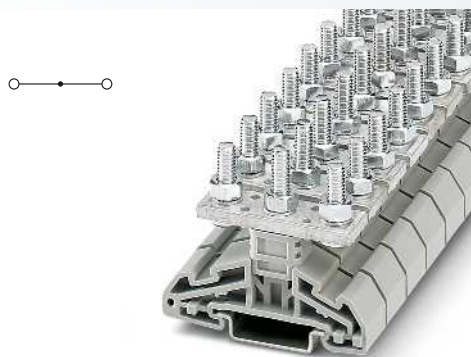
Adhesive warning plate, self-adhesive, black print: Lightning flash with mixed version: "Vorsicht Spannung – Attention Danger" size of label: 13 x 23.5 mm

Adhesive warning plate, self-adhesive, black print: Lightning flash with mixed version: "Vorsicht Spannung – Attention Danger" size of label: 32 x 26 mm

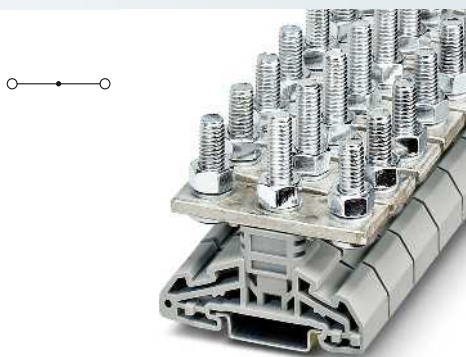
End bracket, for snapping onto NS 35, 5.15 mm wide, can be marked with ZB 5 and UCT-EM (30X5), parking option for bridges and test plugs

Aluminum end bracket, for screwing on, for end support of 50 - 300 mm² terminal blocks, can be labeled with ZB 10, for mounting on NS 35...

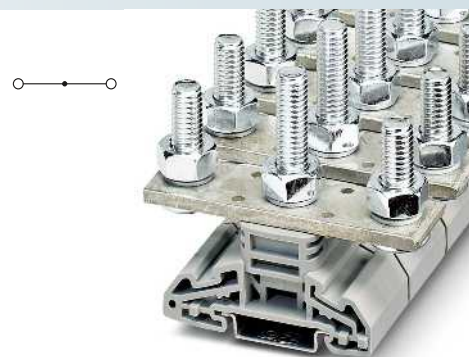
Lateral groove labeling



35 (35) mm², 125 A, M6 bolt terminal block



50 (50) mm², 150 A, M8 bolt terminal block



120 (120) mm², 269 A, M10 bolt terminal block



Technical data			
Width	Length	Height NS 35/7,5	
16	67	58	
I_{max} [A]	U_{max} [V]	max. Ø [mm ²]	AWG
125	1000	2.5 - 35	14 - 2
IEC 60947-7-1			
IEC	UL/CUL	CSA	IEC/EN 60079-7
1000	-	1000	-
125 / 35	-	120 / -	-
35	-	-	-
14 - 2	-	4	-
2.5 - 35			
6 - 35			
2.5 - 6			
16			
M6			
3 - 6			
PA			
V0			

Technical data			
Width	Length	Height NS 35/7,5	
21	67	66	
I_{max} [A]	U_{max} [V]	max. Ø [mm ²]	AWG
150	1000	2.5 - 50	14 - 1/0
IEC 60947-7-1			
IEC	UL/CUL	CSA	IEC/EN 60079-7
1000	-	1000	-
150 / 50	-	130	-
50	-	-	-
14 - 1/0	-	3	-
2.5 - 50			
6 - 35			
- 10			
21			
M8			
6 - 12			
PA			
V0			

Technical data			
Width	Length	Height NS 35/7,5	
32	67	76	
I_{max} [A]	U_{max} [V]	max. Ø [mm ²]	AWG
269	1000	6 - 120	10 - 250 kcmil
IEC 60947-7-1			
IEC	UL/CUL	CSA	IEC/EN 60079-7
1000	-	1000	-
269 / 120	-	225 / -	-
120	-	-	-
10 - 250 kcmil	-	00	-
6 - 120			
10 - 95			
- 6			
26			
M10			
10 - 20			
PA			
V0			

Ordering data			
Type	I_{max}	Order No.	Pcs. / Pkt.
HV M6/2		3049547	25

Ordering data			
Type	I_{max}	Order No.	Pcs. / Pkt.
HV M8/2		3049550	25

Ordering data			
Type	I_{max}	Order No.	Pcs. / Pkt.
HV M10/2		3049563	10

Accessories			
HV M6/1-VS 2	125 A	3049262	10
HV M6/1-VS 3	125 A	3049275	10
HV M12/2-TP		3049709	25
HV M6/1-AP		3049903	25
WS-4K		1004584	10
CLIPFIX 35-5		3022276	50

Accessories			
HV M8/1-VS 2	150 A	3049369	10
HV M8/1-VS 3	150 A	3049372	10
HV M8/1 M6/1-STL		3071094	10
HV M12/2-TP		3049709	25
HV M8/1-AP		3049398	25
WS-4K		1004584	10
E/AL-NS 35		1201662	10

Accessories			
HV M10/1-VS 2	269 A	3049466	10
HV M10/1-VS 3	269 A	3049479	10
HV M10/1 M6/1-STL2		3071081	10
HV M12/2-TP		3049709	25
HV M10/1-AP		3049495	10
WS-4K		1004584	10
WS-2K		1004513	10
E/AL-NS 35		1201662	10

UC-TM 12, UCT-TM 12 or ZB 12
(see Catalog 5)

UC-TM 12, UCT-TM 12 or ZB 12
(see Catalog 5)

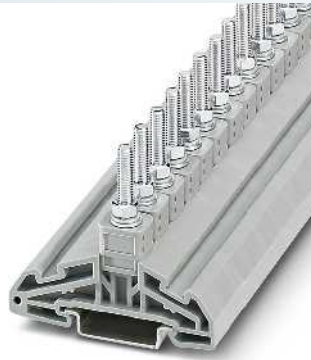
UC-TM 12, UCT-TM 12 or ZB 12
(see Catalog 5)

Modular terminal blocks - CLIPLINE complete

RT bolt connection terminal blocks

HV ... high-current connectors

- The bolt connection terminal blocks for cable lugs according to DIN 46234, DIN 46235, and DIN 46237 are available as part of the UHV ... high-current connector range
- For connecting up to four conductors
- Versions with connection bolts of between M5 and M12
- Extensive, supplementary accessories



16 (16) mm², 76 A, M5 bolt terminal block



35 (35) mm², 125 A, M6 bolt terminal block

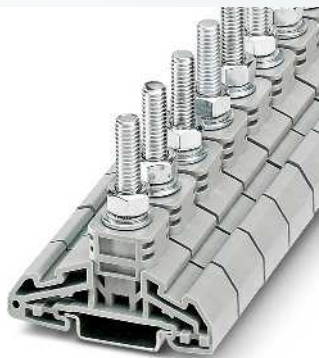


Dimensions	Technical data				Technical data			
	Width [mm]	Length [mm]	Height NS 35/7,5 [mm]		Width [mm]	Length [mm]	Height NS 35/7,5 [mm]	
Max. electrical data	13	67	58		16	67	58	
	I_{max.} [A]	U_{max.} [V]	max. Ø [mm²]	AWG	I_{max.} [A]	U_{max.} [V]	max. Ø [mm²]	AWG
	76	1000	0.1 - 16	24 - 6	125	1000	2.5 - 35	14 - 2
Rated data	IEC 60947-7-1				IEC 60947-7-1			
	IEC	UL/CUL	CSA	IEC/EN 60079-7	IEC	UL/CUL	CSA	IEC/EN 60079-7
Rated voltage [V]	1000	-	1000	-	1000	-	1000	-
Nominal current / cross section [A] / [mm ²]	76 / 16	-	60 / -	-	125 / 35	-	115 / -	-
Rated cross section [mm ²]	16	-	-	-	35	-	-	-
Cross section range AWG	24 - 6	-	8	-	14 - 2	-	4	-
Connection capacity, bolt connection								
Cable lugs, DIN 46234 [mm ²]	0.1 - 16				2.5 - 35			
Cable lugs, DIN 46235 [mm ²]	6 - 10				6 - 35			
Cable lugs, DIN 46237 [mm ²]	1 - 6				2.5 - 6			
General data								
Bolt length [mm]	22.5				22.5			
Screw thread	M5				M6			
Tightening torque [Nm]	2 - 4				3 - 6			
Insulating material	PA				PA			
Inflammability class according to UL 94	V0				V0			

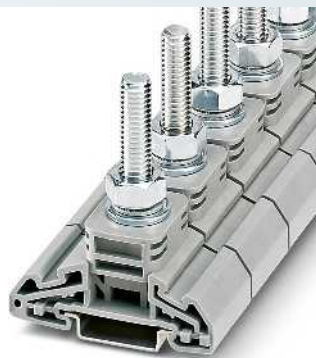
Ordering data			Ordering data			
Description	No. of pos.	Color	Type	I _{max.}	Order No.	Pcs. / Pkt.
High-current connectors, for mounting NS 35...		gray	HV M5/1		3049107	25
			HV M6/1		3049204	25

Accessories			Accessories			
Description	No. of pos.	Color	Type	I _{max.}	Order No.	Pcs. / Pkt.
Connection rail, for cross connection of high-current connectors	2	silver	HV M5/1-VS 2	76 A	3049437	10
	3	silver	HV M5/1-VS 3	76 A	3049440	10
Reducing bridge, for connecting HV M8/1 to HV M6/1						
Reducing bridge, for connecting HV M10/1 to HV M6/1						
Separating plate		gray	HV M12/1-TP		3049602	25
Cover		gray	HV M5/1-AP		3049806	25
Adhesive warning plate, self-adhesive, black print: lightning flash with mixed version: "Vorsicht Spannung - Attention Danger" size of label: 13 x 23.5 mm		yellow	WS-4K		1004584	10
Adhesive warning plate, self-adhesive, black print: Lightning flash with mixed version: "Vorsicht Spannung - Attention Danger" size of label: 32 x 26 mm		yellow				
End bracket, for snapping onto NS 35, 5.15 mm wide, can be marked with ZB 5 and UCT-EM (30X5), parking option for bridges and test plugs		gray	CLIPFIX 35-5		3022276	50
Aluminum end bracket, for screwing on, for end support of 50 - 300 mm ² terminal blocks, can be labeled with ZB 10, for mounting on NS 35...		silver				

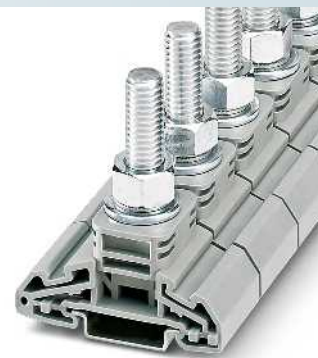
Labeling	Labeling
Later groove labeling	Later groove labeling
UCT-TM 12, UCT-TM 12 or ZB 12 (see Catalog 5)	UCT-TM 12, UCT-TM 12 or ZB 12 (see Catalog 5)



50 (50) mm², 150 A, M8 bolt terminal block



120 (120) mm², 269 A, M10 bolt terminal block



120 (120) mm², 269 A, M12 bolt terminal block



Technical data			
Width	Length	Height NS 35/7,5	
21	67	66	
I_{max} [A]	U_{max} [V]	max. Ø [mm ²]	AWG
150	1000	2.5 - 50	14 - 1/0
IEC 60947-7-1			
IEC	UL/CUL	CSA	IEC/EN 60079-7
1000	-	1000	-
150 / 50	-	125 / -	-
50	-	-	-
14 - 1/0	-	3	-
2.5 - 50			
6 - 35			
6 - 10			
30.5			
M8			
6 - 12			
PA			
V0			

Technical data			
Width	Length	Height NS 35/7,5	
32	67	76	
I_{max} [A]	U_{max} [V]	max. Ø [mm ²]	AWG
269	1000	6 - 120	10 - 250 kcmil
IEC 60947-7-1			
IEC	UL/CUL	CSA	IEC/EN 60079-7
1000	-	1000	-
269 / 120	-	220 / -	-
120	-	-	-
10 - 250 kcmil	-	00	-
6 - 120			
10 - 95			
- 6			
40.5			
M10			
10 - 20			
PA			
V0			

Technical data			
Width	Length	Height NS 35/7,5	
32	67	76	
I_{max} [A]	U_{max} [V]	max. Ø [mm ²]	AWG
269	1000	6 - 120	10 - 250 kcmil
IEC 60947-7-1			
IEC	UL/CUL	CSA	IEC/EN 60079-7
1000	-	1000	-
269 / 120	-	220	-
120	-	-	-
10 - 250 kcmil	-	0	-
6 - 120			
10 - 95			
-			
40.5			
M12			
14 - 31			
PA			
V0			

Ordering data			
Type	I_{max}	Order No.	Pcs. / Pkt.
HV M8/1		3049301	25

Ordering data			
Type	I_{max}	Order No.	Pcs. / Pkt.
HV M10/1		3049408	10

Ordering data			
Type	I_{max}	Order No.	Pcs. / Pkt.
HV M12/1		3049505	10

Accessories			
Type	I_{max}	Order No.	Pcs. / Pkt.
HV M8/1-VS 2	150 A	3049369	10
HV M8/1-VS 3	150 A	3049372	10
HV M8/1 M6/1-STL		3071094	10
HV M12/2-TP		3049709	25
HV M8/1-AP		3049398	25
WS-4K		1004584	10
CLIPFIX 35-5		3022276	50

Accessories			
Type	I_{max}	Order No.	Pcs. / Pkt.
HV M10/1-VS 2	269 A	3049466	10
HV M10/1-VS 3	269 A	3049479	10
HV M10/1 M6/1-STL2		3071081	10
HV M12/2-TP		3049709	25
HV M10/1-AP		3049495	10
WS-4K		1004584	10
WS-2K		1004513	10
E/AL-NS 35		1201662	10

Accessories			
Type	I_{max}	Order No.	Pcs. / Pkt.
HV M12/1-VS 2	269 A	3049631	10
HV M12/1-VS 3	269 A	3049644	10
HV M12/2-TP		3049709	25
HV M10/1-AP		3049495	10
WS-4K		1004584	10
WS-2K		1004513	10
E/AL-NS 35		1201662	10

UC-TM 12, UCT-TM 12 or ZB 12
(see Catalog 5)

UC-TM 12, UCT-TM 12 or ZB 12
(see Catalog 5)

UC-TM 12, UCT-TM 12 or ZB 12
(see Catalog 5)

Modular terminal blocks - CLIPLINE complete

RT bolt connection terminal blocks

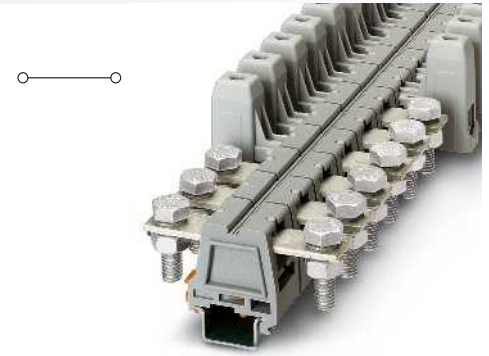
UHV ... high-current connectors

- The UHV ... high-current connectors are available in several versions
- Versions are available with a cable lug or direct connection and there is a mixed version of both connection types
- The comprehensive range of accessories ensures safe and user-friendly wiring of conductors up to 240 mm²

Notes:
In the case of UHV 240..., the BG/F flat bracket must be mounted.
1) See page 466.



25 (25) mm², 101 A, feed-through terminal block



50 (50) mm², 150 A, feed-through terminal block



Dimensions		[mm]
Max. electrical data		
Rated voltage	[V]	1000
Nominal current / cross section	[A] / [mm ²]	101 / 25
Rated cross section	[mm ²]	25
Cross section range	AWG	10 - 3
Terminal sleeve connection capacity		
1 conductor	[mm ²]	6 - 25
Two conductors (of the same type)	[mm ²]	2.5 - 10
Connection capacity, bolt connection		
Bolt diameter	[mm]	8 mm
Hole diameter / power rail	[mm]	8.4 / 15 mm x 3 mm
Cable lugs, DIN 46234	[mm ²]	2.5 - 25
Cable lugs, DIN 46235	[mm ²]	16 - 25
General data		
Stripping length	[mm]	21
Terminal sleeve: thread / torque	- / [Nm]	M5 / 4 - 4.5
Screw set AS: screw thread / torque	- / [Nm]	M8 / 15 - 20
Insulating material		PA-F
Inflammability class according to UL 94		HB

Technical data			
Width	Length	Height NS 35/15	
26	95	72	
I _{max} [A]	U _{max} [V]	max. Ø [mm ²]	AWG
101	1000	6 - 25	10 - 3
IEC 60947-7-1			
IEC	UL/CUL	CSA	IEC/EN 60079-7
1000	600	600	-
101 / 25	85 / -	100 / -	-
25	-	-	-
10 - 3	6-4	6-4	-
Terminal sleeve connection capacity			
solid	stranded	Ferrule	
Without / with plastic sleeve			
6 - 25	10 - 25	4 - 25	4 - 25
2.5 - 10	4 - 10	2.5 - 10	-
Connection capacity, bolt connection			
Bolt diameter	[mm]	8 mm	
Hole diameter / power rail	[mm]	8.4 / 15 mm x 3 mm	
Cable lugs, DIN 46234	[mm ²]	2.5 - 25	
Cable lugs, DIN 46235	[mm ²]	16 - 25	
General data			
Stripping length	[mm]	21	
Terminal sleeve: thread / torque	- / [Nm]	M5 / 4 - 4.5	
Screw set AS: screw thread / torque	- / [Nm]	M8 / 15 - 20	
Insulating material		PA-F	
Inflammability class according to UL 94		HB	

Technical data			
Width	Length	Height NS 35/15	
32	104	78	
I _{max} [A]	U _{max} [V]	max. Ø [mm ²]	AWG
150	1000	16 - 50	6 - 1/0
IEC 60947-7-1			
IEC	UL/CUL	CSA	IEC/EN 60079-7
1000	600	600	-
150 / 50	150 / -	125 / -	-
50	-	-	-
6 - 1/0	6-1/0	6-1/0	-
Terminal sleeve connection capacity			
solid	stranded	Ferrule	
Without / with plastic sleeve			
16 - 50	25 - 50	25 - 50	25 - 50
10 - 16	10 - 16	10 - 16	-
Connection capacity, bolt connection			
Bolt diameter	[mm]	10 mm	
Hole diameter / power rail	[mm]	10.5 / 20 mm x 3 mm	
Cable lugs, DIN 46234	[mm ²]	6 - 50	
Cable lugs, DIN 46235	[mm ²]	16 - 50	
General data			
Stripping length	[mm]	26	
Terminal sleeve: thread / torque	- / [Nm]	M6 / 6 - 8	
Screw set AS: screw thread / torque	- / [Nm]	M10 / 25 - 30	
Insulating material		PA-F	
Inflammability class according to UL 94		HB	

Description	No. of pos.	Color
High-current connector, with terminal sleeve KH on one side, and screw set AS on the other side		gray
High-current connector, screw set AS on both sides, for rail or cable lug connection		gray
High-current connector, with terminal sleeves KH on both sides, for direct cable connection		gray

Ordering data		
Type	Order No.	Pcs. / Pkt.
UHV 25-KH/AS	2130101	10
UHV 25-AS/AS	2130004	10
UHV 25-KH/KH	2130156	10

Ordering data		
Type	Order No.	Pcs. / Pkt.
UHV 50-KH/AS	2130114	10
UHV 50-AS/AS	2130017	10
UHV 50-KH/KH	2130169	10

Accessories		
Description	No. of pos.	Color
Covering hood, as retrofit snap-on shock protection for cable lug connection		gray
Connection rail, for cross connection	2	silver
	3	silver
Separating plate		gray
		gray
		silver
Insertion profile, levels out the prism-shaped sleeve when using flat-ribbon conductors ¹⁾		
End piece, to be fitted at both sides of the terminal strip, 7.2 mm wide		gray
Screwdriver		
Allen wrench, fully insulated, safety tool in accordance with EN 60900, length: 150 mm, handle width: 110 mm		

Accessories		
Type	Order No.	Pcs. / Pkt.
UHV 25-AH	2130431	10
UHV 25-VS 2	2130541	10
UHV 25-VS 3	2130554	10
UHV -TP1	2130402	10
UHV -E	2130428	10
SZS 1,0X6,5 VDE	1205079	10

Accessories		
Type	Order No.	Pcs. / Pkt.
UHV 50-AH	2130444	10
UHV 50-VS 2	5030897	10
UHV 50-VS 3	2130622	10
UHV -TP1	2130402	10
UKH 50 EP	3009228	10
UHV -E	2130428	10
SZS 1,2X8,0 VDE	1205082	10

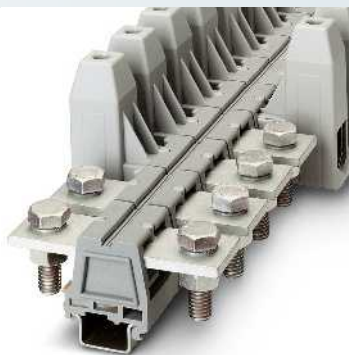
Center groove labeling

UC-TM 10 (see Catalog 5)

UC-TM 10 (see Catalog 5)



95 (95) mm², 232 A, feed-through terminal block



150 (150) mm², 309 A, feed-through terminal block



240 (240) mm², 415 A, feed-through terminal block



Technical data			
Width	Length	Height NS 35/15	
40	114	86	
I_{max} [A]	U_{max} [V]	max. Ø [mm ²]	AWG
232	1000	25 - 95	3 - 3/0
IEC 60947-7-1			
IEC	UL/CUL	CSA	IEC/EN 60079-7
1000	600	600	-
232 / 95	230 / -	200 / -	-
95	-	-	-
3 - 3/0	2-4/0	2-4/0	-
solid	stranded	Ferrule Without / with plastic sleeve	
25 - 95	35 - 95	35 - 95	35 - 95
25 - 35	25 - 35	16 - 35	-
12 mm			
13 / 30 mm x 5 mm			
10 - 95			
25 - 95			
29			
M8 / 15 - 20			
M12 / 25 - 30			
PA-F			
HB			

Technical data			
Width	Length	Height NS 35/15	
46	119	100	
I_{max} [A]	U_{max} [V]	max. Ø [mm ²]	AWG
309	1000	35 - 150	2 - 300 kcmil
IEC 60947-7-1			
IEC	UL/CUL	CSA	IEC/EN 60079-7
1000	600	600	-
309 / 150	285 / -	275 / -	-
150	-	-	-
2 - 300 kcmil	2-300	2-300	-
solid	stranded	Ferrule Without / with plastic sleeve	
35 - 150	50 - 150	50 - 150	50 - 150
25 - 50	35 - 50	25 - 50	-
12 mm			
13 / 35 mm x 5 mm			
10 - 150			
25 - 150			
34			
M10 / 25 - 30			
M12 / 25 - 30			
PA-F			
HB			

Technical data			
Width	Length	Height NS 35/15	
53	126.5	105.5	
I_{max} [A]	U_{max} [V]	max. Ø [mm ²]	AWG
415	1000	70 - 240	2/0 - 500 kcmil
IEC 60947-7-1			
IEC	UL/CUL	CSA	IEC/EN 60079-7
1000	600	600	-
415 / 240	380 / -	400 / -	-
240	-	-	-
2/0 - 500 kcmil	2/0-500	1/0-500	-
solid	stranded	Ferrule Without / with plastic sleeve	
70 - 240	70 - 240	70 - 180	70 - 185
35 - 95	50 - 95	35 - 50	-
16 mm			
17 / 40 mm x 5 mm			
25 - 240			
50 - 185			
34			
M10 / 25 - 30			
M16 / 30 - 35			
PA-F			
HB			

Ordering data		
Type	Order No.	Pcs. / Pkt.
UHV 95-KH/AS	2130127	10
UHV 95-AS/AS	2130020	10
UHV 95-KH/KH	2130172	10

Ordering data		
Type	Order No.	Pcs. / Pkt.
UHV150-KH/AS	2130130	10
UHV150-AS/AS	2130033	10
UHV150-KH/KH	2130185	10

Ordering data		
Type	Order No.	Pcs. / Pkt.
UHV240-KH/AS	2130143	5
UHV240-AS/AS	2130046	5
UHV240-KH/KH	2130198	5

Accessories		
UHV 95-AH	2130457	10
UHV 95-VS 2	2130635	10
UHV 95-VS 3	2130648	10
UHV -TP2	2130415	10
UKH 95 EP	3009231	10
UHV -E	2130428	10
VDE-ISS 8	1201947	1

Accessories		
UHV150-AH	2130460	10
UHV150-VS 2	2130651	10
UHV150-VS 3	2130664	10
UHV -TP2	2130415	10
UKH 150/240 EP	3009244	10
UHV -E	2130428	10
VDE-ISS 8	1201947	1

Accessories		
UHV240-AH	2130473	10
UHV240-VS 2	2130677	10
UHV240-VS 3	2130680	10
UHV -TP2	2130415	10
UKH 150/240 EP	3009244	10
UHV -E	2130428	10
VDE-ISS 8	1201947	1

UC-TM 10 (see Catalog 5)

UC-TM 10 (see Catalog 5)

UC-TM 10 (see Catalog 5)

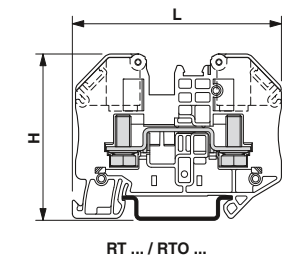
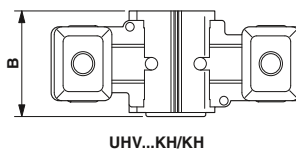
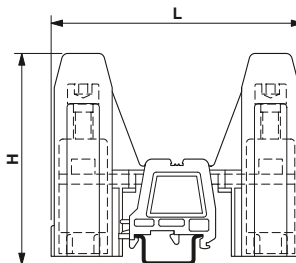
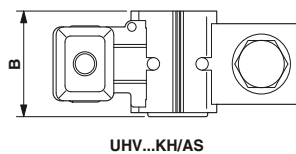
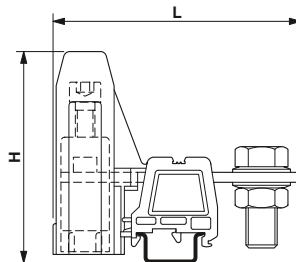
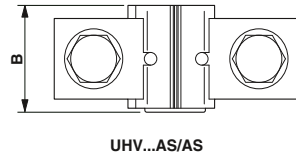
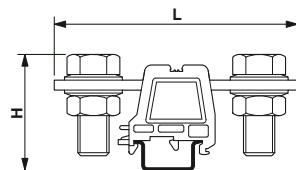
Modular terminal blocks - CLIPLINE complete

RT bolt connection terminal blocks

Bolt connection terminal blocks are available either in a single-bolt or double-bolt design or with a screw/bolt mixed connection. The latter are fitted as high-current connectors with a terminal sleeve connection on one side and with a screw set for the connection of cable lugs on the other. The dimensions of the various types are shown in the following drawings and tables.

Secure cable lug connection

Cable lugs are securely connected in UHV..., HV..., and RT... high-current terminal blocks using the screw set. Spring washers are used for screw locking. Cable lugs according to DIN 46234, DIN 46235, and DIN 46237 can be connected. A two-conductor connection is also possible where one conductor must be connected under the current bar using a cable lug and the other must be connected to the current bar. See diagram below right.



High-current connector with bolt connection Universal high-current connector Dimensions in [mm] / [inch]			
Type	H	L	W
UHV 25-AS/AS	53 / 2.087	88 / 3.456	26 / 1.024
UHV 25-KH/AS	72 / 2.835	95 / 3.74	26 / 1.024
UHV 25-KH/KH	72 / 2.835	102.5 / 4.035	26 / 1.024
UHV 50-AS/AS	54.5 / 2.146	95 / 3.74	32 / 1.26
UHV 50-KH/AS	78 / 3.071	104 / 4.094	32 / 1.26
UHV 50-KH/KH	78 / 3.071	113.5 / 4.469	32 / 1.26
UHV 95-AS/AS	56 / 2.205	110 / 4.331	40 / 1.575
UHV 95-KH/AS	86 / 3.386	114 / 4.488	40 / 1.575
UHV 95-KH/KH	86 / 3.386	118.5 / 4.665	40 / 1.575
UHV 150-AS/AS	56 / 2.205	110 / 4.331	46 / 1.811
UHV 150-KH/AS	100 / 3.937	119 / 4.685	46 / 1.811
UHV 150-KH/KH	100 / 3.937	128.5 / 5.059	46 / 1.811
UHV 240-AS/AS	58 / 2.283	125 / 4.921	53 / 2.087
UHV 240-KH/AS	105.5 / 4.154	126.5 / 4.980	53 / 2.087
UHV 240-KH/KH	105.5 / 4.154	128.5 / 5.059	53 / 2.087

CLIPLINE complete bolt connection Ring-lug terminal - RT Dimensions in [mm] / [inch]			
Type	H	L	W
RT 3	51 / 2.007	65 / 2.559	12.2 / 0.480
RT 5	51 / 2.007	65 / 2.559	16.2 / 0.637
RT 5-T	51 / 2.007	90.4 / 3.559	16.2 / 0.637
RT 8	63.8 / 2.511	84 / 3.307	20.2 / 0.795

CLIPLINE complete bolt connection Ring-lug terminal open style - RTO Dimensions in [mm] / [inch]			
Type	H	L	W
RTO 3	49.9 / 1.965	65 / 2.559	12.2 / 0.480
RTO 5	49.9 / 1.965	65 / 2.559	16.2 / 0.637
RTO 5-T	49.9 / 1.965	90.4 / 3.559	16.2 / 0.637
RTO 8	62.2 / 2.449	84 / 3.307	20.2 / 0.795

Secure flat conductor connection

Flat conductors can be reliably and securely connected in UKH and UHV high-current terminal blocks using the insertion profile (UKH... EP). This levels out the prism-shaped terminal sleeve base, thereby ensuring that the flat conductor is contacted on a large area.

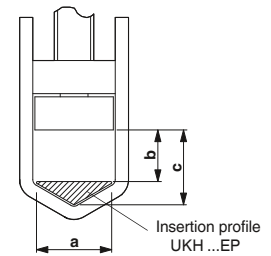
Suitability of flat conductors for clamping

Conductor		type	
Structure [mm]	Current [A]	UHV 50-KH/AS UHV 50-KH/KH	UHV 95-KH/AS UHV 95-KH/KH
3 x 9 x 0.8	100	X	X
6 x 9 x 0.8	160	X ¹⁾	X
4 x 16 x 0.8	200	-	X
6 x 16 x 0.8	250	-	X ¹⁾
10 x 16 x 0.8	400	-	X ¹⁾
11 x 21 x 0.8	630	-	-

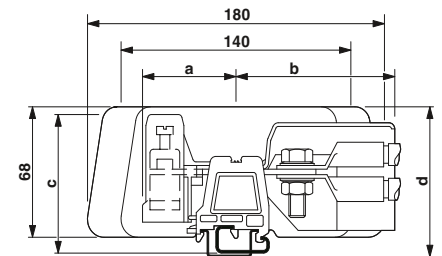
Conductor		type	
Structure [mm]	Current [A]	UHV 150-KH/AS UHV 150-KH/KH	UHV 240-KH/AS UHV 240-KH/KH
3 x 9 x 0.8	100	-	-
6 x 9 x 0.8	160	X	-
4 x 16 x 0.8	200	X	X
6 x 16 x 0.8	250	X	X
10 x 16 x 0.8	400	X ¹⁾	X
11 x 21 x 0.8	630	-	X ¹⁾

¹⁾ Observe nominal current of terminal blocks.

Internal dimensions of terminal sleeves



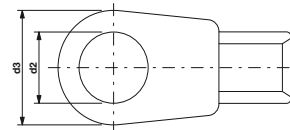
Type	Internal dimensions in [mm] / [inch]		
	a	b	c
UKH 25 / UHV 25-KH/...	9 / 0.354	-/-	8.5 / 0.335
UKH 50 / UHV 50-KH/...	11 / 0.433	7.5 / 0.295	12 / 4.472
UKH 95 / UHV 95-KH/...	15 / 0.591	11 / 0.433	15 / 0.591
UKH 150 / UHV 150-KH/...	19.5 / 0.768	11 / 0.433	18 / 0.709
UKH 240 / UHV 240-KH/...	24 / 0.945	19 / 0.748	26 / 1.024



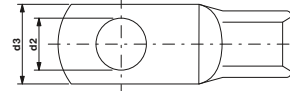
Dimensions for covering hoods and partition plates [mm] / [inch]				
Type	a	b	c	d
UHV 25	51 / 2.008	82 / 3.228	70 / 2.756	63 / 2.48
UHV 50	57 / 2.244	97 / 3.819	76 / 2.992	68 / 2.677
UHV 95	59 / 2.323	112 / 4.409	84 / 3.307	75 / 2.953
UHV 150	64 / 2.52	125 / 4.921	98 / 3.858	81 / 3.189
UHV 240	64 / 2.52	143 / 5.63	103 / 4.055	87 / 3.425

Cable lugs			DIN 46234				DIN 46235				DIN 46237			
			Conductor cross section		Hole $\varnothing d_2$ [mm]/[inch]		Width d_3 [mm]/[inch]		Hole $\varnothing d_2$ [mm]/[inch]		Width d_3 [mm]/[inch]		Hole $\varnothing d_2$ [mm]/[inch]	
M3	0.5	20	3.2	0.126	5	0.197	-/-	-/-	-/-	-/-	-/-	-/-	-/-	-/-
	1	17	3.2	0.126	6	0.236	-/-	-/-	3.2	0.126	6	0.236	-/-	-/-
	2.5	14	3.2	0.126	6	0.236	-/-	-/-	3.2	0.126	6	0.236	-/-	-/-
M5	0.5	20	5.3	0.208	8	0.315	-/-	-/-	-/-	-/-	-/-	-/-	-/-	-/-
	1	17	5.3	0.208	10	0.394	-/-	-/-	5.3	0.208	10	0.394	-/-	-/-
	2.5	14	5.3	0.208	10	0.394	-/-	-/-	5.3	0.208	10	0.394	-/-	-/-
	6	10	5.3	0.208	10	0.394	5.3	0.208	8.5	0.335	5.3	0.208	10	0.394
	10	8	5.3	0.208	11	0.433	5.3	0.208	9	0.354	-/-	-/-	-/-	-/-
	16	6	5.3	0.208	11	0.433	-/-	-/-	-/-	-/-	-/-	-/-	-/-	-/-
M6	1.5	16	6.4	0.252	10	0.394	-/-	-/-	-/-	-/-	-/-	-/-	-/-	-/-
	2.5	14	6.4	0.252	11	0.433	-/-	-/-	6.5	0.256	11	0.433	-/-	-/-
	6	10	6.4	0.252	11	0.433	6.4	0.252	8.5	0.335	6.5	0.256	11	0.433
	10	8	6.4	0.252	11	0.433	6.4	0.252	9	0.354	-/-	-/-	-/-	-/-
	16	6	6.4	0.252	11	0.433	6.4	0.252	12	0.472	-/-	-/-	-/-	-/-
	25	3	6.4	0.252	12	0.472	6.4	0.252	14	0.551	-/-	-/-	-/-	-/-
	35	2	6.4	0.252	16	0.63	-/-	-/-	-/-	-/-	-/-	-/-	-/-	-/-
50	0	6.4	0.252	18	0.709	-/-	-/-	-/-	-/-	-/-	-/-	-/-	-/-	
M8	2.5	14	8.4	0.331	14	0.551	-/-	-/-	8.4	0.331	14	0.551	-/-	-/-
	6	10	8.4	0.331	14	0.551	-/-	-/-	8.4	0.331	14	0.551	-/-	-/-
	10	8	8.4	0.331	14	0.551	-/-	-/-	-/-	-/-	-/-	-/-	-/-	-/-
	16	6	8.4	0.331	14	0.551	8.4	0.331	13	0.512	-/-	-/-	-/-	-/-
	25	3	8.4	0.331	16	0.63	8.4	0.331	16	0.63	-/-	-/-	-/-	-/-
	35	2	8.4	0.331	16	0.63	8.4	0.331	17	0.669	-/-	-/-	-/-	-/-
	50	0	8.4	0.331	18	0.709	8.4	0.331	20	0.787	-/-	-/-	-/-	-/-
	70	00	8.4	0.331	22	0.866	8.4	0.331	24	0.945	-/-	-/-	-/-	-/-
	95	000	8.4	0.331	24	0.945	-/-	-/-	-/-	-/-	-/-	-/-	-/-	-/-
120	250 kcmil	8.4	0.331	24	0.945	-/-	-/-	-/-	-/-	-/-	-/-	-/-	-/-	
M10	6	10	10.5	0.413	18	0.709	-/-	-/-	10.5	0.413	18	0.709	-/-	-/-
	10	8	10.5	0.413	18	0.709	-/-	-/-	-/-	-/-	-/-	-/-	-/-	-/-
	16	6	10.5	0.413	18	0.709	10.5	0.413	17	0.669	-/-	-/-	-/-	-/-
	25	3	10.5	0.413	18	0.709	10.5	0.413	17	0.669	-/-	-/-	-/-	-/-
	35	2	10.5	0.413	18	0.709	10.5	0.413	19	0.748	-/-	-/-	-/-	-/-
	50	20	10.5	0.413	18	0.709	10.5	0.413	22	0.866	-/-	-/-	-/-	-/-
	70	00	10.5	0.413	22	0.866	10.5	0.413	24	0.945	-/-	-/-	-/-	-/-
	95	000	10.5	0.413	24	0.945	10.5	0.413	28	1.102	-/-	-/-	-/-	-/-
	120	250 kcmil	10.5	0.413	24	0.945	10.5	0.413	32	1.26	-/-	-/-	-/-	-/-
	150	300 kcmil	10.5	0.413	30	1.181	10.5	0.413	34	1.339	-/-	-/-	-/-	-/-
185	350 kcmil	10.5	0.413	36	1.417	10.5	0.413	37	1.457	-/-	-/-	-/-	-/-	
240	500 kcmil	10.5	0.413	38	1.496	-/-	-/-	-/-	-/-	-/-	-/-	-/-	-/-	
M12	10	8	13	0.512	22	0.866	-/-	-/-	-/-	-/-	-/-	-/-	-/-	-/-
	16	6	13	0.512	22	0.866	-/-	-/-	-/-	-/-	-/-	-/-	-/-	-/-
	25	3	13	0.512	22	0.866	13	0.512	19	0.748	-/-	-/-	-/-	-/-
	35	2	13	0.512	22	0.866	13	0.512	21	0.827	-/-	-/-	-/-	-/-
	50	0	13	0.512	22	0.866	13	0.512	24	0.945	-/-	-/-	-/-	-/-
	70	00	13	0.512	22	0.866	13	0.512	24	0.945	-/-	-/-	-/-	-/-
	95	000	13	0.512	24	0.945	13	0.512	28	1.102	-/-	-/-	-/-	-/-
	120	250 kcmil	13	0.512	24	0.945	13	0.512	32	1.26	-/-	-/-	-/-	-/-
	150	300 kcmil	13	0.512	30	1.181	13	0.512	34	1.339	-/-	-/-	-/-	-/-
	185	350 kcmil	13	0.512	36	1.417	13	0.512	37	1.457	-/-	-/-	-/-	-/-
240	500 kcmil	13	0.512	38	1.496	13	0.512	42	1.654	-/-	-/-	-/-	-/-	
M16	25	3	17	0.669	28	1.102	-/-	-/-	-/-	-/-	-/-	-/-	-/-	-/-
	35	2	17	0.669	28	1.102	-/-	-/-	-/-	-/-	-/-	-/-	-/-	-/-
	50	0	17	0.669	28	1.102	17	0.669	28	1.102	-/-	-/-	-/-	-/-
	70	00	17	0.669	28	1.102	17	0.669	30	1.181	-/-	-/-	-/-	-/-
	95	000	17	0.669	28	1.102	17	0.669	32	1.26	-/-	-/-	-/-	-/-
	120	250 kcmil	17	0.669	28	1.102	17	0.669	32	1.26	-/-	-/-	-/-	-/-
	150	300 kcmil	17	0.669	30	1.181	17	0.669	34	1.339	-/-	-/-	-/-	-/-
	185	350 kcmil	17	0.669	36	1.417	17	0.669	37	1.457	-/-	-/-	-/-	-/-
	240	500 kcmil	17	0.669	38	1.496	17	0.669	42	1.654	-/-	-/-	-/-	-/-

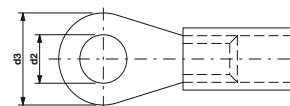
Cable lug
DIN 46234: 1980-03

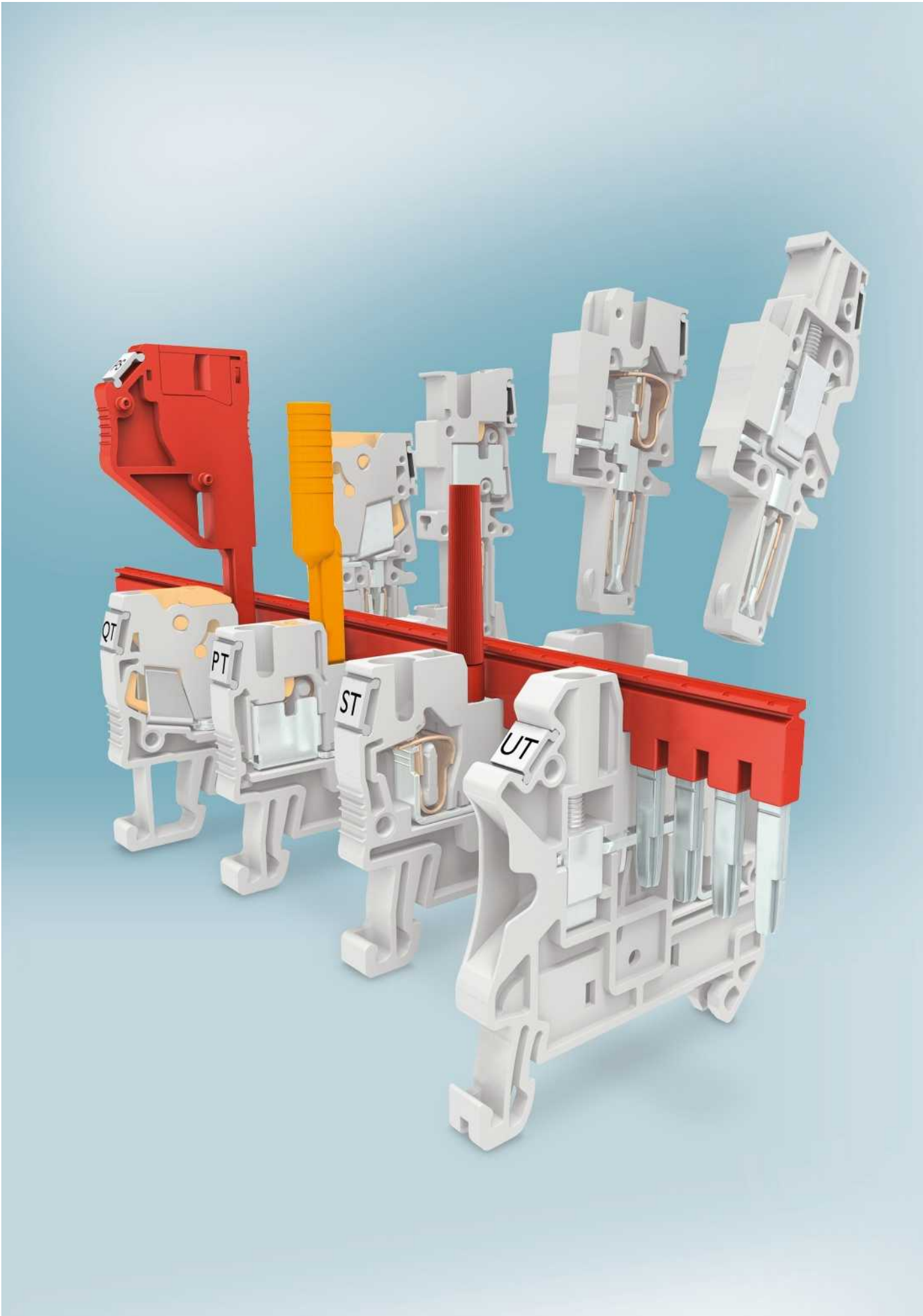


Cable lug
DIN 46235: 1980-07



Cable lug
DIN 46237





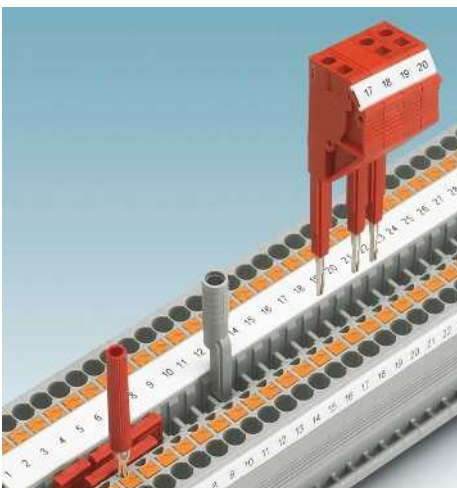
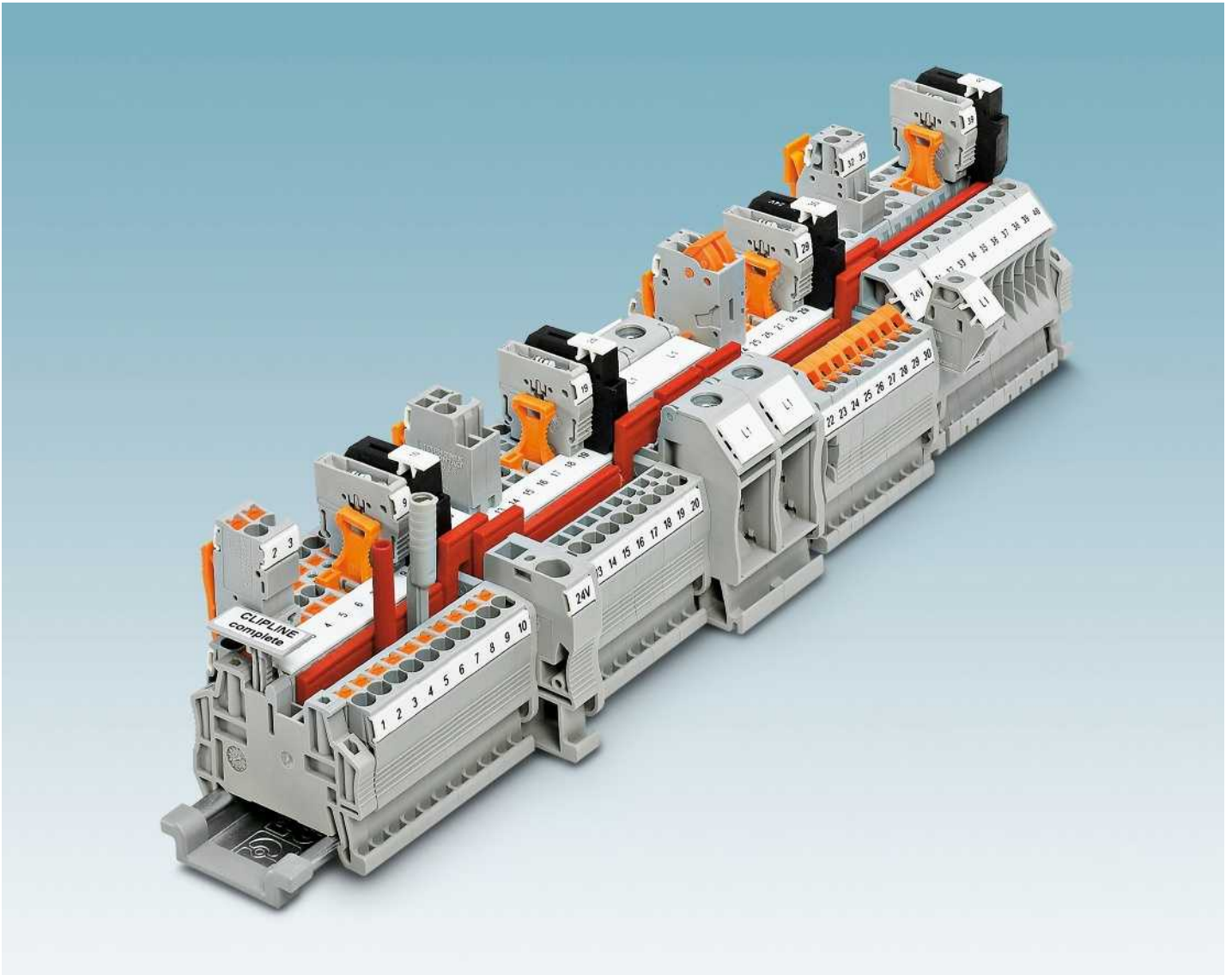
Accessories

The CLIPLINE complete system offers you a uniform range of accessories for all connection technologies.

Marking and test accessories are standardized and reduce logistics costs. In addition, all modular terminal blocks of the CLIPLINE complete system can be freely combined with each other using the double function shaft. All disconnect terminal blocks in the CLIPLINE complete system have a standardized disconnect zone. Various function plugs are available for use in the disconnect terminal blocks. Isolating plugs are used for simple disconnection. The fuse plugs are designed for the use of cartridge fuse inserts. The patented component plug allows you to mount components quickly, without the risk of polarity reversal, and without the need for soldering.

Product range overview

Accessories	470
Plug-in bridges	472
Reducing bridges table	476
Test plugs and adapters	478
Fuse, isolating, and component plugs	480
Marker carriers	484
Terminal block group marking	485
Warning labels	485



Function shaft

All the modular terminal blocks in the CLIPLINE complete system have function shafts to allow fast and individual potential distribution through plug-in bridges and simple testing.



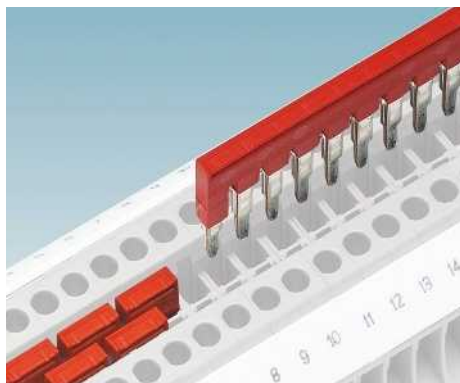
Multifunctional disconnect zone

All the disconnect terminal blocks in the CLIPLINE complete system have a standardized disconnect zone. Various functional inserts are available for use in the disconnect terminal blocks.

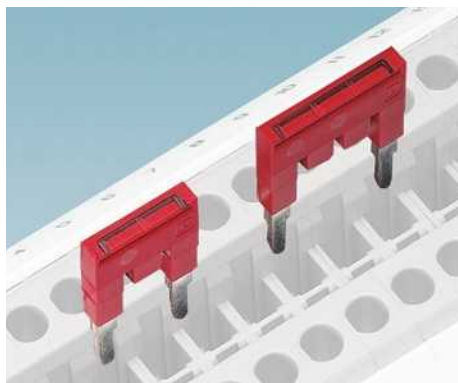


Marking

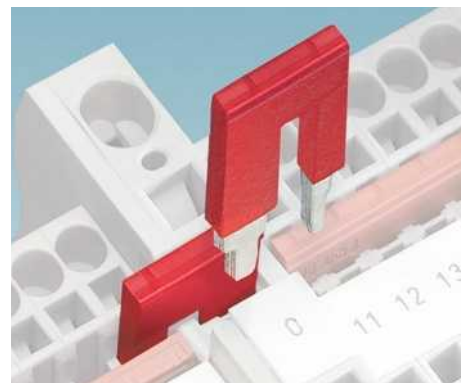
All terminal points in the terminal blocks of the CLIPLINE complete system can have large labels. Optional snap-on large marker carriers are available for group and terminal strip labeling.



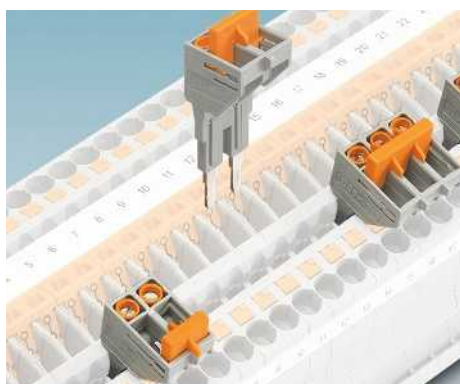
The bridge shafts are arranged in a line across all terminal blocks allowing for a combination of connection methods. The 2 to 50-pos. plug-in bridges allow all potential bridging tasks to be undertaken at speed.



A jumping bridge is created by removing individual contact guides from the standard bridge. Two potentials can then be routed in parallel. The contact points can also be marked.



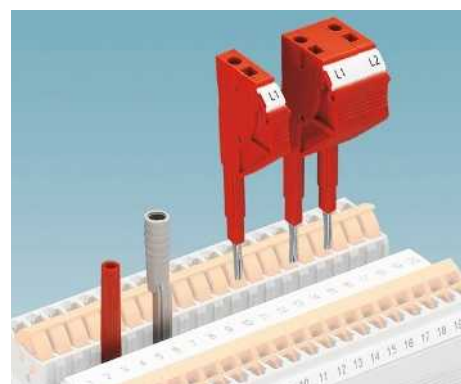
The reducing bridge allows terminal blocks with different nominal cross sections to be connected with ease, e.g., a UT 10 terminal block with a UT 2,5. Power blocks can be created at speed with the reducing bridge.



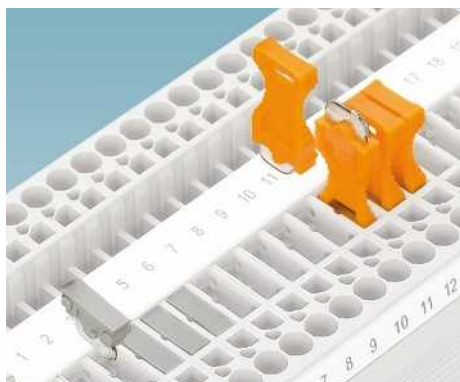
The plug-in SB-ME switching jumpers make contact by being securely latched into the function shaft. They create a removable connection between neighboring terminal blocks. This enables a transformer short circuit to be created in test disconnect terminal blocks, for example.



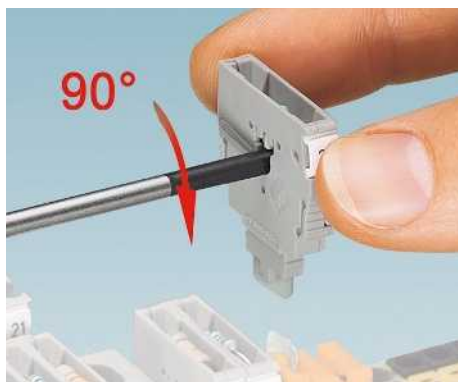
Vertical bridge to connect the upper and the lower levels of a double-level terminal block. The vertical bridge can be easily connected later through the function shaft of the upper level to the lower level.



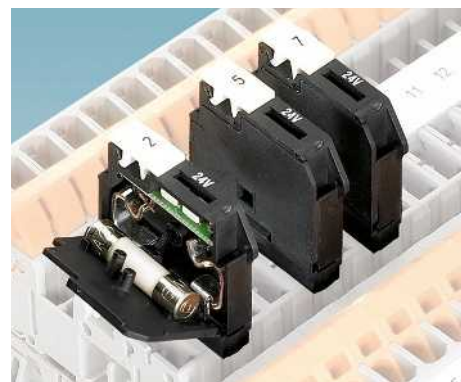
A test plug with a 2.3 mm diameter is available for measuring lines and a test adapter with a 4 mm diameter is available for safety test plugs. Test adapters can be implemented at speed with the modular test plugs.



The P-DI isolating plug can be removed to release the connection easily, and then "parked" back to front in the disconnect zone. The P-FIX contact metal seals the disconnect point of the same shape and cannot be removed again once fitted.



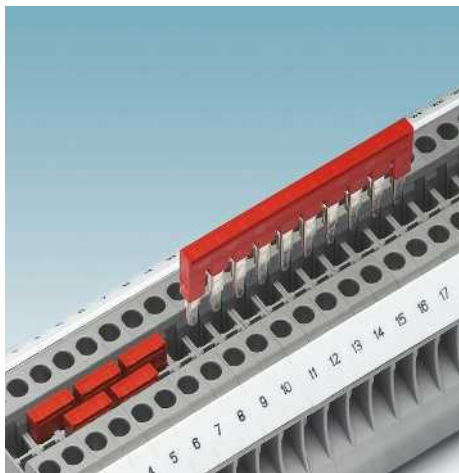
The patented P-CO component plug P-CO allows components to be quickly and reliably accommodated using spring-loaded contacts and to be connected without the risk of polarity reversal.



The P-FU fuse plugs are designed to accommodate cartridge fuse inserts. The fuse used can be checked visually via the LED.

Accessories

FBS ... plug-in bridges



- To allow individual potential distribution, the terminal blocks of the CLIPLINE complete system have two bridge shafts
- The 2 to 50-pos. bridges can bridge up to 50 terminal blocks in one step in these bridge shafts

Designation of bridges

- The last digit in the bridge designation indicates the dimension of the terminal width. A FBS ...-4 bridge can be used with CLIPLINE complete terminal blocks with a terminal width of 4.2 mm, and a FBS ...-6 bridge can be used with terminal blocks with a terminal width of 6.2 mm.

Vertical potential bridge

- Potential bridge to connect the upper and the lower levels of a double-level terminal block
- The bridge can be connected later through the bridge shaft of the upper level to the lower level
- The FBS-PV UT vertical bridge can be used with the UTTB 2,5 and UTTB 4
- The FBS-PV vertical bridge can be used with the STTBS 2,5, STTBS 4, PTTB 2,5, PTTB 4, PTTBS 2,5, QTTCB 1,5, and STTB 2,5/4P
- The FBS 1,5/S-PV vertical bridge can be used with the PTTB 1,5/S, PT 1,5/S-3L, and PT 1,5/S-PE/L/L
- The FBS-PV PT 2,5-4L vertical bridge can be used with the PT 2,5-4L... terminal blocks

Notes:

The current values for the FBS ... bridges can deviate when used in different modular terminal blocks. The precise values can be found in the accessories data for the respective modular terminal blocks.



Plug-in bridge, red

		Ordering data				
Description	No. of pos.	Type	I _{max}	Order No.	Pcs. / Pkt.	
Plug-in bridge	2	FBS 2-3,5	17.5 A	3213014	50	
	3	FBS 3-3,5		3213027	50	
	4	FBS 4-3,5		3213030	50	
	5	FBS 5-3,5		3213043	50	
	10	FBS 10-3,5		3213056	50	
	20	FBS 20-3,5		3213069	50	
Plug-in bridge	50	FBS 50-3,5		3000706	10	
	Plug-in bridge	2	FBS 2-4	17.5 A	3030116	50
		3	FBS 3-4		3030129	50
		4	FBS 4-4		3030132	50
		5	FBS 5-4		3030145	50
		10	FBS 10-4		3030158	10
20		FBS 20-4	3030352		10	
Plug-in bridge	2	FBS 2-5	24 A	3030161	50	
	3	FBS 3-5		3030174	50	
	4	FBS 4-5		3030187	50	
	5	FBS 5-5		3030190	50	
	10	FBS 10-5		3030213	10	
	20	FBS 20-5		3030226	10	
Plug-in bridge	50	FBS 50-5		3038930	10	
	Plug-in bridge	2	FBS 2-6	32 A	3030336	50
		3	FBS 3-6		3030242	50
		4	FBS 4-6		3030255	50
		5	FBS 5-6		3030349	50
		10	FBS 10-6		3030271	10
20		FBS 20-6	3030365		10	
Plug-in bridge	50	FBS 50-6		3032224	10	
	Plug-in bridge	2	FBS 2-8	41 A	3030284	10
		3	FBS 3-8		3030297	10
		4	FBS 4-8		3030307	10
		5	FBS 5-8		3030310	10
		6	FBS 6-8		3032470	10
10		FBS 10-8	3030323		10	
Plug-in bridge	2	FBS 2-10	57 A	3005947	10	
Plug-in bridge	2	FBS 2-12	76 A	3005950	10	
Plug-in bridge	2	FBS 2-16	101 A	3005963	10	
Pre-assembled bridge, labeled	3-pos., positions 1, 3	FBS 1/3-8	41 A	3032363	10	
	4-pos., positions 1, 4	FBS 1/4-8		3032376	10	
	5-pos., positions 1, 3, 5	FBS 1/3/5-8		3032389	10	
	10-pos., positions 1, 4, 7, 10	FBS 1/4/7/10-8		3032402	10	
Vertical potential bridge, to connect the upper and lower level						
Covering hood, provides reliable shock protection when using cut-to-length FBS ...-5 and FBS ...-6 bridges		FBS		3012325	50	



Plug-in bridge, blue



Plug-in bridge, gray



Vertical potential bridge to connect two levels of multi-level terminal blocks

Ordering data			
Type	I _{max}	Order No.	Pcs. / Pkt.
FBS 2-3,5 BU	17.5 A	3213086	50
FBS 3-3,5 BU		3213099	50
FBS 4-3,5 BU		3213109	50
FBS 5-3,5 BU		3213112	50
FBS 10-3,5 BU		3213125	50
FBS 20-3,5 BU		3213138	50
FBS 50-3,5 BU		3000708	10
FBS 2-4 BU	17.5 A	3030117	50
FBS 3-4 BU		3030130	50
FBS 4-4 BU		3030133	50
FBS 5-4 BU		3030146	50
FBS 10-4 BU		3036851	10
FBS 20-4 BU		3030353	10
FBS 2-5 BU	24 A	3036877	50
FBS 3-5 BU		3036880	50
FBS 4-5 BU		3036893	50
FBS 5-5 BU		3036903	50
FBS 10-5 BU		3036916	10
FBS 20-5 BU		3036929	10
FBS 50-5 BU		3032114	10
FBS 2-6 BU	32 A	3036932	50
FBS 3-6 BU		3036945	50
FBS 4-6 BU		3036958	50
FBS 5-6 BU		3036961	50
FBS 10-6 BU		3032198	10
FBS 20-6 BU		3032208	10
FBS 50-6 BU		3032211	10
FBS 2-8 BU	41 A	3032567	10
FBS 3-8 BU		3032570	10
FBS 4-8 BU		3032583	10
FBS 5-8 BU		3032596	10
FBS 6-8 BU		3032677	10
FBS 10-8 BU		3032606	10
Accessories			
FBSC		3012325	50

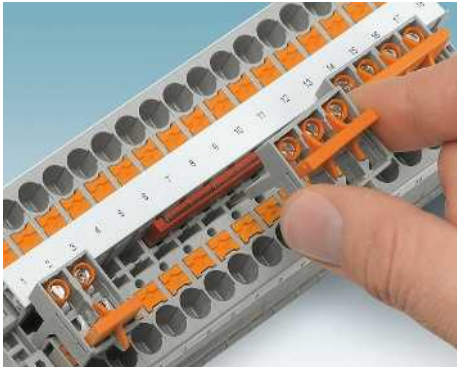
Ordering data			
Type	I _{max}	Order No.	Pcs. / Pkt.
FBS 2-3,5 GY	17.5 A	3213153	50
FBS 3-3,5 GY		3213167	50
FBS 4-3,5 GY		3213180	50
FBS 5-3,5 GY		3213183	50
FBS 10-3,5 GY		3213196	50
FBS 20-3,5 GY		3213206	50
FBS 50-3,5 GY		3000707	10
FBS 2-4 GY	17.5 A	3030118	50
FBS 3-4 GY		3030131	50
FBS 4-4 GY		3030134	50
FBS 5-4 GY		3030147	50
FBS 10-4 GY		3030160	10
FBS 20-4 GY		3030354	10
FBS 2-5 GY	24 A	3038969	50
FBS 3-5 GY		3038972	50
FBS 4-5 GY		3038985	50
FBS 5-5 GY		3038998	50
FBS 10-5 GY		3039007	10
FBS 20-5 GY		3038671	10
FBS 50-5 GY		3032127	10
FBS 2-6 GY	32 A	3032237	50
FBS 3-6 GY		3032240	50
FBS 4-6 GY		3032279	50
FBS 5-6 GY		3032266	50
FBS 10-6 GY		3032253	10
FBS 2-8 GY		41 A	3032621
FBS 3-8 GY	3032622		10
FBS 4-8 GY	3032635		10
FBS 5-8 GY	3032648		10
FBS 6-8 GY	3032664		10
FBS 10-8 GY	3032651		10
Accessories			
FBSC		3012325	50

Ordering data			
Type	I _{max}	Order No.	Pcs. / Pkt.
FBS-PV PT 2,5-4L	10 A	3012318	50
FBS-PV UT	22 A	3047358	50
FBS-PV	32 A	3032185	50
FBS 1,5/S-PV	16 A	3216263	10
Accessories			

Accessories

FBSH ... plug-in bridges and SB-ME... switching jumpers

Notes:
The switching jumpers also snap into the function shaft and occupy both bridge shafts.
The FBSR ... bridges have a reduced current carrying capacity in comparison with the standard FBS ... bridges.



Plug-in bridge

FBSRH

– The FBSRH ...-8 bridges have a molded extraction tool which means that they can be used conveniently and without tools for individual bridging tasks. This enables a transformer short circuit to be created in test disconnect terminal blocks, for example.

SB-ME

– The plug-in SB-ME switching jumpers make contact by being securely latched into the function shaft. They create a removable connection between neighboring terminal blocks. This enables a transformer short circuit to be created in test disconnect terminal blocks, for example.

Designation of bridges

– The last digit in the bridge designation indicates the dimension of the terminal block width; an FBSR ...-5 bridge can be used with CLIPLINE complete terminal blocks with a width of 5.2 mm, and an FBSR ...-6 bridge can be used with terminal blocks with a width of 6.2 mm.

		Ordering data			
Description	No. of pos.	Type	I _{max}	Order No.	Pcs. / Pkt.
Plug-in bridge	2	FBSR 2-5	17.5 A	3033702	50
	10	FBSR 10-5		3033710	10
Plug-in bridge	2	FBSR 2-6	24 A	3033715	50
	10	FBSR 10-6		3033716	10
Plug-in bridge	2	FBSR 2-8	32 A	3033808	10
	5	FBSR 5-8		3033809	10
	16	FBSR 16-8		3033816	10
Plug-in bridge, with extraction tool	2				
Switching jumper, plug-in	3				
	4				
	2				
Switching jumper, plug-in	3				
	4				
	2				
Switching jumper, plug-in	3				
	4				
	2				
Switching jumper, plug-in	3				
	4				
	2				
Accessories					
Partition plate, with storage option for switching jumpers	gray				



Plug-in bridge, with extraction tool



30 A, switching jumper, plug-in with additional latching



25 A, switching jumper, plug-in

Ordering data			
Type	I _{max}	Order No.	Pcs. / Pkt.
FBSRH 2-8	32 A	3033802	10
FBSRH 3-8		3033803	10
FBSRH 4-8		3033804	10

Ordering data			
Type	I _{max}	Order No.	Pcs. / Pkt.
SB-ME 2-8	30 A	3034468	10
SB-ME 3-8		3032800	10
SB-ME 4-8		3034484	10

Ordering data			
Type	I _{max}	Order No.	Pcs. / Pkt.
SB-ME 2-6	25 A	3035755	10
SB-ME 3-6		3035756	10
SB-ME 4-6		3035757	10
SB-MER 2-8	25 A	3000587	10
SB-MER 3-8		3000588	10
SB-MER 4-8		3000589	10

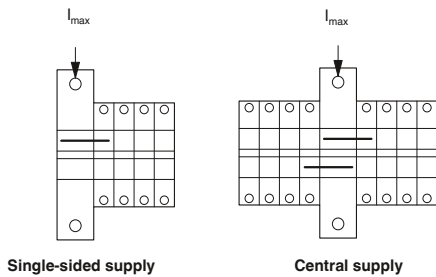
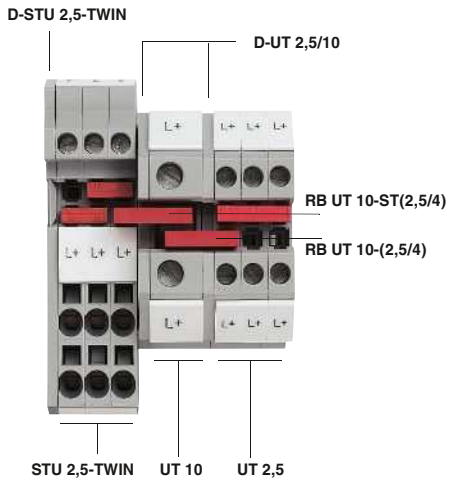
Accessories		
CARRIER 35-8	3034387	10

Accessories		

Accessories		

Accessories

Example of a 10 mm² central supply with RB UT 10-(2,5/4) reducing bridges on 2.5 mm²



Reducing bridges enable the simple connection of standard terminal blocks with different nominal cross sections and connection technologies from the CLIPLINE complete system. Supplies with larger cross sections can be easily distributed among several smaller output terminal blocks. The connection technologies and the connected cross sections must be taken into consideration in order to select suitable reducing bridges. The appropriate reducing bridge and the maximum permissible bridge current for single-sided and central supply can be determined using the adjacent table.

Note

When using reducing bridges, covers should be used which correspond to the supply direction. The automatic correction function in CLIP PROJECT (see page 702) provides optimum support.

Reduction bridging with UT standard feed-through terminal blocks

Supply		Pick-off		Single-sided supply	Central supply	Bridge
Terminal block	Cross section [mm ²]	Terminal block	Cross section [mm ²]	I _{max} [A]	I _{max} [A]	
UT 4	4	UT 2,5	2.5	24	24	FBS 2-5 3030161
UT 6	6	UT 2,5	2.5	40	56	RB UT 6-(2,5/4) 3047251
		UT 4	4	45	56	
		PT 2,5	2.5	40	56	RB UT 6-ST(2,5/4) 3047264
		PT 4	4	45	56	
		ST 2,5	2.5	40	56	
		ST 4	4	45	56	
		QTC 1,5	1.5	35	56	
		QTC 2,5	2.5	40	56	
UT 10	10	UT 2,5	2.5	40	65	RB UT 10-(2,5/4) 3047060
		UT 4	4	45	65	RB UT 10-ST(2,5/4) 3047086
		PT 2,5	2.5	40	65	
		PT 4	4	45	65	
		ST 2,5	2.5	40	65	
		ST 4	4	45	65	
		QTC 1,5	1.5	35	65	
		QTC 2,5	2.5	40	65	
UT 16	16	UT 2,5	2.5	40	80	RB UT 16-(2,5/4) 3047073
		UT 4	4	45	90	RB UT 16-ST(2,5/4) 3047099
		PT 2,5	2.5	40	80	
		PT 4	4	45	90	
		ST 2,5	2.5	40	80	
		ST 4	4	45	90	
		QTC 1,5	1.5	35	70	
		QTC 2,5	2.5	40	80	
UT 35	35	UT 2,5	2.5	40	80	RB UT 35-(2,5/4) 3047277
		UT 4	4	45	90	RB UT 35-ST(2,5/4) 3047280
		PT 2,5	2.5	40	80	
		PT 4	4	45	90	
		ST 2,5	2.5	40	80	
		ST 4	4	45	90	
		QTC 1,5	1.5	35	70	
		QTC 2,5	2.5	40	80	
UT 35	35	UT 16	16	90	90	RB 35-16 3032169

Reduction bridging with RT standard feed-through terminal blocks

Supply		Pick-off		Single-sided supply	Central supply	Bridge
Terminal block	Cross section [mm ²]	Terminal block	Cross section [mm ²]	I _{max} [A]	I _{max} [A]	
RT 5	6	UT 2,5	2.5	40	56	RB UT 6-(2,5/4) 3047251
		UT 4	4	40	56	
		RT 3	2.5	40	56	RB UT 6-ST(2,5/4) 3047264
		PT 2,5	2.5	40	56	
		ST 2,5	2.5	40	56	
		ST 4	4	40	56	
		QTC 1,5	1.5	35	56	
		QTC 2,5	2.5	40	56	
RT 8	35	RT 3	2.5	40	56	RB ST 10-(2,5/4) 3030873
		UT 2,5	2.5	40	65	
		UT 4	4	45	65	

Reduction bridging with PT and ST standard feed-through terminal blocks

Supply		Pick-off		Single-sided supply	Central supply	Bridge
Terminal block	Cross section [mm ²]	Terminal block	Cross section [mm ²]	I _{max} [A]	I _{max} [A]	
ST 2,5 PT 2,5	2.5	PT 1,5/S	1.5	24	30	RB ST (2,5/4)-1,5/S 3214356
		ST 1,5	1.5	31	31	RB ST (2,5/4)-1,5 3038943
		QTC 1,5	1.5	31	31	FBS 2-5 3030161
ST 4 PT 4	4	PT 1,5/S	1.5	24	40	RB ST (2,5/4)-1,5/S 3214356
		ST 1,5	1.5	35	40	RB ST (2,5/4)-1,5 3038943
		PT 2,5	2.5	40	40	FBS 2-5 3030161
		ST 2,5	2.5	40	40	
		QTC 1,5	1.5	35	40	FBS 2-6 3030336
		QTC 2,5	2.5	40	40	
ST 6 PT 6	6	PT 1,5/S	1.5	24	48	RB ST 6-1,5/S 3213250
		PT 2,5	2.5	40	56	RB ST 6-(2,5/4) 3030860
		ST 2,5	2.5	40	56	
		ST 4	4	45	56	
		QTC 1,5	1.5	35	56	
		QTC 2,5	2.5	40	56	
ST 10 PT 10	10	PT 1,5/S	1.5	24	48	RB ST 10-1,5/S 3213252
		PT 2,5	2.5	40	65	RB ST 10-(2,5/4) 3030873
		ST 2,5	2.5	40	65	
		ST 4	4	45	65	
		QTC 1,5	1.5	35	65	
		QTC 2,5	2.5	40	65	
ST 16 PT 16	16	PT 1,5/S	1.5	24	48	RB ST 16-1,5/S 3213254
		PT 2,5	2.5	40	80	RB ST 16-(2,5/4) 3030886
		ST 2,5	2.5	40	80	
		ST 4	4	45	90	
		QTC 1,5	1.5	35	70	
		QTC 2,5	2.5	40	80	
ST 35	35	PT 2,5	2.5	40	80	RB ST 35-(2,5/4) 3030899
		ST 2,5	2.5	40	80	
		ST 4	4	45	90	
		QTC 1,5	1.5	35	70	
		QTC 2,5	2.5	40	80	
ST 35	35	ST 16	16	90	90	RB 35-16 3032169
STS 4	4	STS 2,5	2.5	40	40	FBS 2-5 3030161
STS 6	6	STS 2,5	2.5	40	56	RB ST 6-(2,5/4) 3030860
		STS 4	4	45	56	

Reduction bridging with QT standard feed-through terminal blocks

Supply		Pick-off		Single-sided supply	Central supply	Bridge
Terminal block	Cross section [mm ²]	Terminal block	Cross section [mm ²]	I _{max} [A]	I _{max} [A]	
QTC 2,5	2.5	QTC 1,5	1.5	31	31	FBS 2-5 3030161

Modular terminal blocks - CLIPLINE complete

Accessories

PS ... test plugs

- Two-part test plug for individual plug color combination
- The test plugs are plugged in the function shaft of the terminal blocks from the CLIPLINE complete system or in the test connections provided for them
- PS-...2,3MM modular test plug housing can be used to put assemble individual test adapters



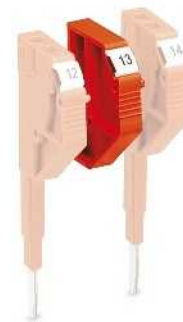
Description	Color	Ordering data			Ordering data		
		Type	Order No.	Pcs. / Pkt.	Type	Order No.	Pcs. / Pkt.
Modular test plug housing , for MPS metal part, can be marked with ZB 5							
Width 5.2 mm	red	PS-5/2,3MM RD	3038723	10			
Width 6.2 mm	red	PS-6/2,3MM RD	3038736	10			
Width 8.2 mm	red	PS-8/2,3MM RD	3048564	10			
Insulating sleeve , for MPS metal part							
	white				MPS-IH WH	0201663	10
	red				MPS-IH RD	0201676	10
	blue				MPS-IH BU	0201689	10
	yellow				MPS-IH YE	0201692	10
	green				MPS-IH GN	0201702	10
	gray				MPS-IH GY	0201728	10
	black				MPS-IH BK	0201731	10
Test plug metal part , 2.3 mm Ø		MPS-MT	0201744	10	MPS-MT	0201744	10
4 mm Ø		MPS-MT/ 4MM	3048577	1	MPS-MT/ 4MM	3048577	1

PS-... modular test plugs and DP PS-... spacer plates

- The test plugs make contact in the function shaft of terminal blocks from the CLIPLINE complete system
- Test adapters can be assembled individually with the PS-... modular test plugs and DP PS-... spacers



Modular test plug



Spacer plates

Description	Color	Ordering data			Ordering data		
		Type	Order No.	Pcs. / Pkt.	Type	Order No.	Pcs. / Pkt.
Individual test plug , 4.2 mm wide, can be labeled with ZBF 4, UC-TMF 4, and UCT-TMF 4							
	red	PS-4/E	3036709	10			
Modular test plug , for the individual assembly of test plug strips							
4.2 mm, can be labeled with ZBF 4, UC-TMF 4, and UCT-TMF 4	red	PS-4	3030970	10	DP PS-4	3036712	10
5.2 mm, can be labeled with ZBF 5, UC-TMF 5, and UCT-TMF 5	red	PS-5	3030983	10	DP PS-5	3036725	10
6.2 mm, can be labeled with ZBF 6, UC-TMF 6, and UCT-TMF 6	red	PS-6	3030996	10	DP PS-6	3036738	10
8.2 mm, can be labeled with ZBF 8, UC-TMF 8, and UCT-TMF 8	red	PS-8	3031005	10	DP PS-8	3036741	10

PAI ... test adapters

- Secure contact for test plugs with a 4 mm diameter in the function shaft
- The small external diameter of the test socket means that finger-safe protected safety plugs can also be used



4 mm test adapter, for terminal blocks with 4.2 mm pitch



4 mm test adapter, for terminal blocks with 5.2, 6.2, and 8.2 mm pitch

Ordering data		
Type	Order No.	Pcs. / Pkt.
PAI-4	3030925	10

Ordering data		
Type	Order No.	Pcs. / Pkt.
PAI-4-N GY	3032871	10

Description	Color
Test adapter, 4-mm test socket hole	gray
Test adapter, 4-mm test socket hole	gray

PAI-4-FIX... snap-on test adapters

- Test adapter for accommodating safety test plugs with a 4 mm diameter
- Make contact and latch securely to any point in the function shaft



4 mm test adapter, for terminal blocks with 5.2 mm and 6.2 mm pitch



4 mm test adapter, for terminal blocks with 8.2 mm pitch

Ordering data		
Type	Order No.	Pcs. / Pkt.
PAI-4-FIX-5/6 OG	3035974	10
PAI-4-FIX-5/6 YE	3035977	10
PAI-4-FIX-5/6 GN	3035978	10
PAI-4-FIX-5/6 VT	3035979	10
PAI-4-FIX-5/6 BK	3035980	10
PAI-4-FIX-5/6 BU	3035975	10
PAI-4-FIX-5/6 RD	3035976	10
PAI-4-FIX-5/6 GY	3035982	10
PAI-4-FIX-5/6 BN	3035981	10

Ordering data		
Type	Order No.	Pcs. / Pkt.
PAI-4-FIX OG	3034455	10
PAI-4-FIX YE	3032745	10
PAI-4-FIX GN	3032758	10
PAI-4-FIX VT	3032761	10
PAI-4-FIX BK	3032774	10
PAI-4-FIX BU	3032729	10
PAI-4-FIX RD	3032732	10
PAI-4-FIX GY	3032790	10
PAI-4-FIX BN	3032787	10

Description	Color
Test adapter, for 4 mm Ø safety test plugs, latches into the bridge shaft	orange
	yellow
	green
	violet
	black
	blue
	red
	gray
	brown

Switching lock S-MT



- The optional switching lock snaps in and effectively prevents accidental switching
- Can be used in all...-MT knife disconnect terminal blocks from the CLIPLINE complete system



Switching lock

Dimensions	[mm]
General data	
Insulating material	PA
Inflammability class according to UL 94	V2

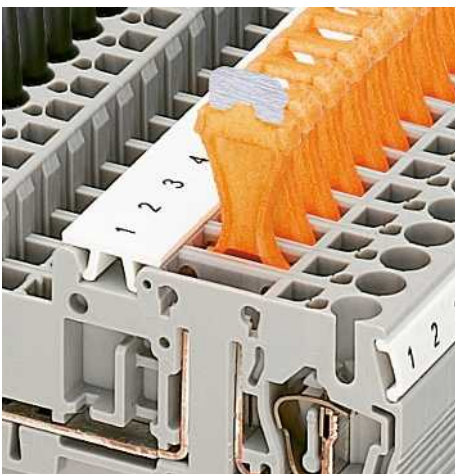
Technical data		
Width	Length	Height
3.5	10.5	23.1

Description	Color
Switching lock, plug-in ¹⁾	white

Ordering data		
Type	Order No.	Pcs. / Pkt.
S-MT	3247954	50

P-DI isolating plug

Notes:
¹⁾ Observe max. load current.



- The P-DI isolating plug can be removed to release the connection easily and then "parked" back to front in the disconnect zone
- Can be used in all ...-TG disconnect terminal blocks from the CLIPLINE complete system



Function plug for universal disconnect zone

Dimensions	[mm]
Rated data	
Maximum load current	[A]
General data	
Insulating material	PA
Inflammability class according to UL 94	V2

Technical data		
Width	Length	Height
3.5	10.8	23.1

Description	Color
Isolating plug ¹⁾	orange

Ordering data		
Type	Order No.	Pcs. / Pkt.
P-DI	3036783	50

P-FIX feed-through connector



- The P-FIX contact metal seals the disconnect point of the same shape and cannot be removed again once fitted
- Can be used in all ...-TG disconnect terminal blocks from the CLIPLINE complete system

Notes:
1) Observe max. load current.

Dimensions	[mm]
Rated data	
Maximum load current	[A]
General data	
Insulating material	
Inflammability class according to UL 94	

Description	Color
Feed-through connector¹⁾	gray

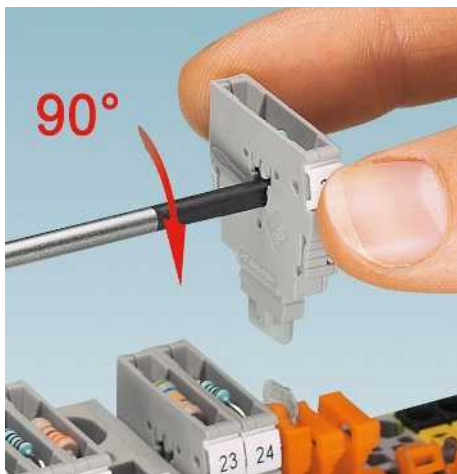


Feed-through connector

Technical data		
Width	Length	Height
4	10.5	-
20		
PA		
V0		

Ordering data		
Type	Order No.	Pcs. / Pkt.
P-FIX	3038956	50

P-CO ... component plugs



- The patented P-CO component plug can quickly and reliably accommodate components using spring-loaded contacts
- A coding recess ensures protection against incorrect polarity
- For assembly, the spring-cage connections are opened or closed inside the plug with just one turn of a standard screwdriver
- Can be used in all ...-TG disconnect terminal blocks from the CLIPLINE complete system

Notes:
1) Observe max. load current, depending on the power dissipation of the components. Max. 0.5 W with single arrangement.
2) Dependent on the power dissipation of the components. Max. 1 W with single arrangement.
3) Integrated: diode 1N 4007, reverse voltage: 1300 V, maximum continuous current: 1.0 A.

Dimensions	[mm]
Rated data	
Maximum load current	[A]
General data	
Insulating material	
Inflammability class according to UL 94	

Description	Color
Component plug , labeled with ZBF 5 or UC-TMF 5 ¹⁾	gray
Component plug , with integrated 1N 4007 diode, conducting direction from left to right, direction viewed: open terminal side ³⁾	gray
Conducting from left to right, direction viewed: open terminal side	gray

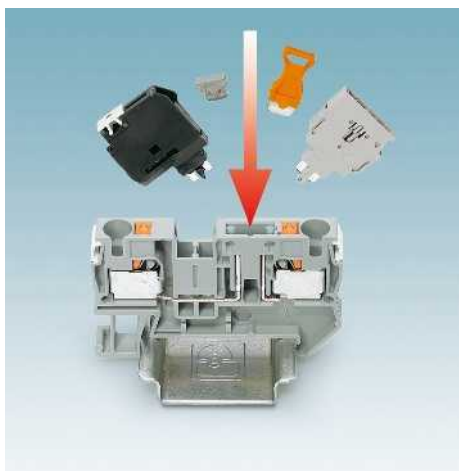


Component plug

Technical data		
Width	Length	Height
5.2	24	22
6 ²⁾		
PA		
V0		

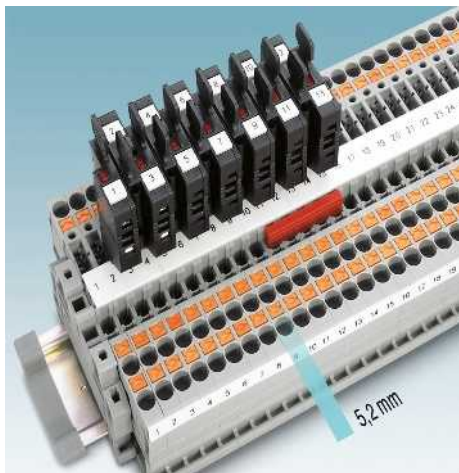
Ordering data		
Type	Order No.	Pcs. / Pkt.
P-CO	3036796	10
P-CO 1N4007/R-L	3032457	10
P-CO 1N4007/L-R	3032460	10

P-FU ... fuse plugs

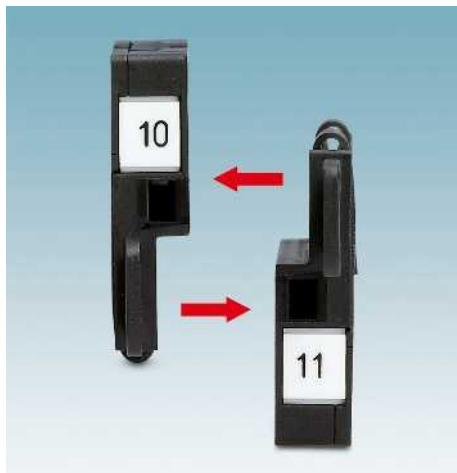


The fuse plugs transform the ...-TG disconnect terminal blocks of the CLIPLINE complete system into a fully functional fuse terminal block for overload and short-circuit protection and are characterized by:

- Large labeling option
- Versions with bipolar fault indicator
- Test contacts on both sides of the fuse



- The new P-FU...-5 compact fuse plug particularly well suited to ...-TG disconnect terminal blocks with 5.2 mm pitch
- Can be used for overload/short-circuit protection



- The P-FU ...-5 fuse plug can be used on 5.2 mm ...-TG disconnect terminal blocks with a nested arrangement and provides maximum space savings

Notes:

- 1) If the fuse is faulty, the downstream circuit is not off load.
- 2) For max. power dissipation, see page 724.

Dimensions

	[mm]
Rated data	
Maximum load current	[A]
General data	
Insulating material	
Inflammability class according to UL 94	

Description	Color
Fuse plug, width 5.2 mm¹⁾	black
With LED for 12-30 V DC, 0.35-0.95 mA	black
For 30-60 V AC/DC, 0.36-0.95 mA	black
For 110-250 V AC/DC, 0.4-0.95 mA	black
Fuse plug, width 6.2 mm²⁾	black
With LED for 12-30 V DC, 0.31-0.95 mA	black
For 30-60 V AC/DC, 0.40-0.86 mA	black
For 110-250 V AC/DC, 0.41-0.96 mA	black
Fuse plug, width 8.2 mm	black
With LED for 12-30 V DC, 0.31-0.95 mA	black
For 30-60 V AC/DC, 0.40-0.86 mA	black
For 110-250 V AC/DC, 0.41-0.96 mA	black

Center groove labeling



5.2 mm fuse plug, for 5 x 20 mm cartridge fuses



6.2 mm fuse plug, for 5 x 20 mm cartridge fuses



8.2 mm fuse plug, for 6.3 x 32 mm cartridge fuses



Technical data		
Width	Length	Height
5.2	23.5	45.5
6.3 ²⁾		
PA		
V0		

Technical data		
Width	Length	Height
6.2	28	25
6.3 ²⁾		
PA		
V0		

Technical data		
Width	Length	Height
8.2	40	27
10 ²⁾		
PA		
V0		

Ordering data		
Type	Order No.	Pcs. / Pkt.
P-FU 5X20-5	3209235	10
P-FU 5X20 LED 24-5	3209248	10
P-FU 5X20 LED 60-5	3209251	10
P-FU 5X20 LED 250-5	3209264	10

Ordering data		
Type	Order No.	Pcs. / Pkt.
P-FU 5X20	3036806	10
P-FU 5X20 LED 24	3036819	10
P-FU 5X20 LED 60	3036822	10
P-FU 5X20 LA 250	3036835	10

Ordering data		
Type	Order No.	Pcs. / Pkt.
P-FU 6,3X32	3046498	10
P-FU 6,3X32 LED 24	3046508	10
P-FU 6,3X32 LED 60	3046511	10
P-FU 6,3X32 LA 250	3046524	10

Accessories
UC-TMF 5, UCT-TMF 5 or ZBF 5 (see Catalog 5)

Accessories
UC-TMF 5, UCT-TMF 5 or ZBF 5 (see Catalog 5)

Accessories
UC-TMF 6, UCT-TMF 6 or ZBF 6 (see Catalog 5)

Accessories

STP ... marker carriers for multi-level terminal blocks



STP ...

- The size of the labeling areas of wired multi-level terminal blocks can be increased by using marker carriers
- Depending on the version, the marker carriers are placed in the holders on the upper terminal block level

STP ...-ZB

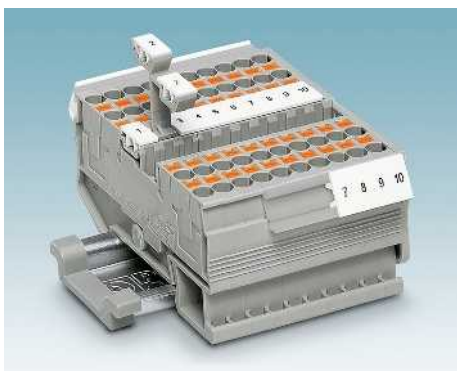
- The marker carriers can for example snap into the center marking groove of ST spring-cage terminal blocks and double the marking area; see figure below

CARRIER-TM 300

- Can be snapped into all terminal blocks in the CLIPLINE complete system that have a lateral flat marker groove
- For accommodating ZB ..., UC-TM ... or UCT-TM ... terminal markers which increases the marking area

CARRIER-TMD 300

- Double-row snap-in marker adapter for accommodating two ZB ... or UC-TM ... and UCT-TM ... terminal markers which doubles the marking area



General data

Material	
Inflammability class according to UL 94	
Temperature range	[°C]
Components	

Technical data

PA
V2
-40 ... 100
free from silicone and halogen

Description	Color
-------------	-------

Double marker carrier, can be snapped into PTTB 1,5/S push-in double-level terminal blocks can be labeled with ZB 3,5 or ZBF 3,5

Triple marker carrier, can be snapped into the PT 1,5/S-3... push-in three-level terminal block, can be labeled with ZB 3,5 or ZBF 3,5

Double marker carrier, can be snapped into STTB 1,5, PTTB 1,5 double-level terminal blocks can be labeled with UC-TM 4, ZB 4 or UC-TMF 4, ZBF 4

Double marker carrier, can be snapped into STTB 2,5, STTB 4, PTTB 2,5 PTTB 4 double-level terminal blocks, can be labeled with UC-TM 5, ZB 5 or UC-TMF 5, ZBF 5

Three-compartment marker carrier, can be snapped into ST 2,5-3... and PT 2,5-3... three-level terminal blocks, can be labeled with UC-TMF 5 and ZBF 5 or ...TM 5 and ZB 5

Double marker carrier, snaps into double-level fast connection terminal blocks, QTTCB ... and QTTCBS, can be labeled with ZB 5 and ZBF 5

Double marker carrier, snaps into all terminal blocks with a width of 4.2 mm and a zack marker strip center groove, can be labeled with ZB 4 or ZBF 4

Double marker carrier, snaps into all terminal blocks with a width of 5.2 mm and a zack marker strip center groove, can be labeled with ZB 5 or ZBF 5

Marker adapter, 300 mm long, can be snapped into the lateral groove on modular terminal blocks, designed to accommodate ZB ... or UC-TM ...

Marker adapter, double row, 300 mm long, can be snapped into the center groove on modular terminal blocks, designed to accommodate two ZB ... or UC-TM ...

Marker adapter, such as the CARRIER-TM 300; marking area at an angle to the top of the terminal block

Ordering data

Type	Order No.	Pcs. / Pkt.
STP 3,5-2	0830131	100
STP 3,5-3	0830132	100
STP 4-2	0810575	100
STP 5-2	0800967	100
STP 5-3	0810562	100
STP 5-2/S	0800970	100
STP 4-2-ZB	3038613	100
STP 5-2-ZB	3037643	100
CARRIER-TM 300	0828282	25
CARRIER-TMD 300	0828693	25
CARRIER-TMH 300	0830670	25

GBS ... terminal block group marking

- Space-saving group labeling directly on the terminal block
- Fits all terminal blocks with a tall center marker groove
- Large-surface labeling with labels or manually using B-STIFT or X-PEN



3.5 mm and 5.2 mm pitch



29 mm pitch

General data	
Material	PA
Inflammability class according to UL 94	V2
Temperature range	-40 ... 120 [°C]
Components	free from silicone and halogen

Description	Color
Group marking label , can be snapped into terminal center, can be marked with an EML (24X4)R or EML (25,4X12,7)R label or manually with B-STIFT or X-PEN, in the foot part with ZB 5, UC-TM 5	gray
Group marking label , can be snapped into terminal center, can be labeled with ESL 26 x 6 or EMT (25 x 6) R insert strips, in foot part with ZB zack marker strip, length: 29 mm	gray

Technical data		
PA		
V2		
-40 ... 120		
free from silicone and halogen		

Ordering data		
Type	Order No.	Pcs. / Pkt.
GBS 5-25X5	0829126	100
GBS 5-25X12	0810588	100

Technical data		
PA / PC		
V2		
-40 ... 100		
free from silicone and halogen		

Ordering data		
Type	Order No.	Pcs. / Pkt.
GBS-ZB/26X6	0809298	50

WS... warning labels



- Warning labels and warning covers serve to cover and identify mains terminal blocks
- This prevents accidental actuation of the terminal points
- The warning labels snap into the screw shafts of the relevant terminal block
- Can be isolated lengthwise and crosswise



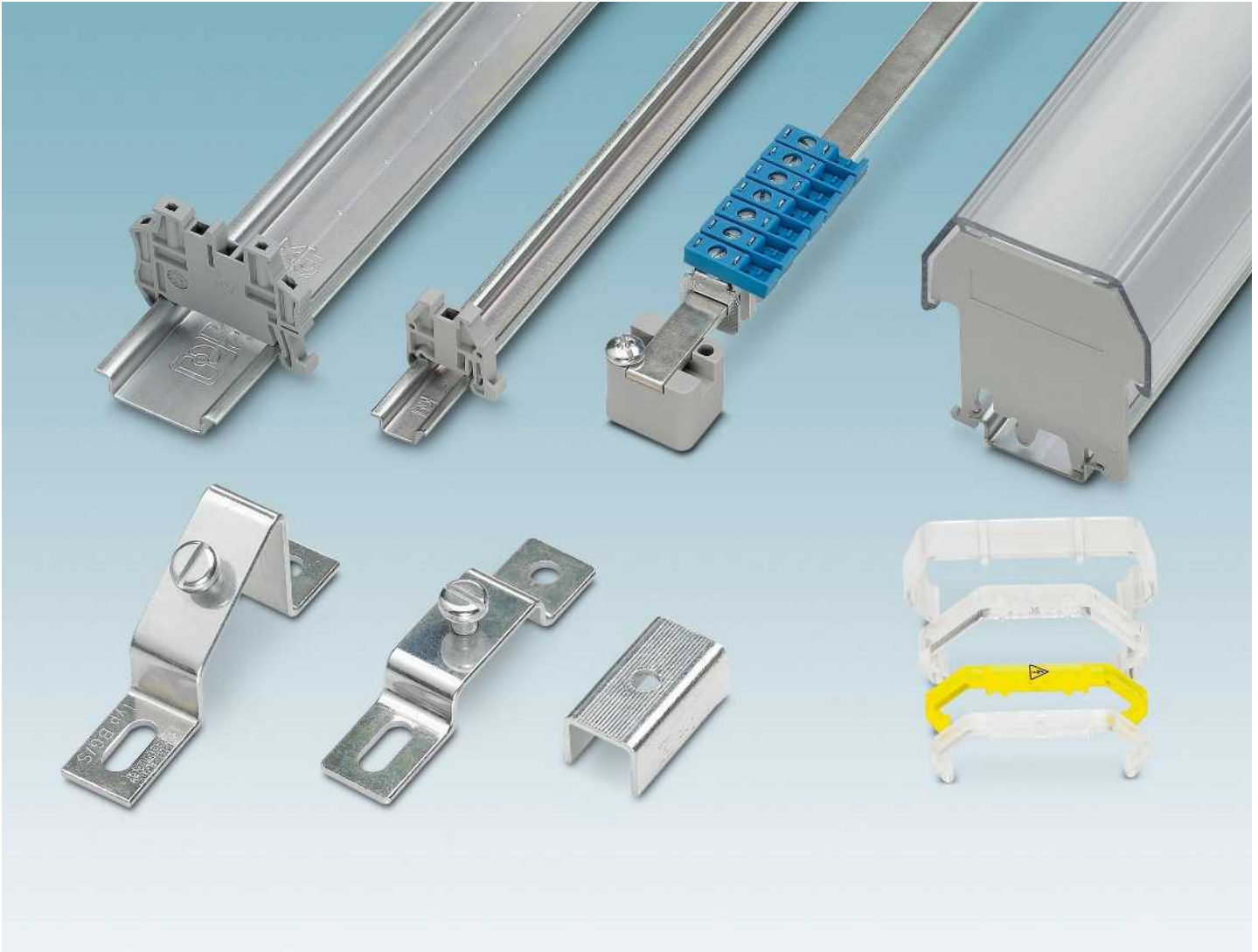
Warning labels for terminals from the UT ... and ST ... series

General data	
Material	PA
Wipe resistance	DIN EN 61010-1 (VDE 0411-1)

Description	Color
Warning label , for UT series	
5.2 mm wide	yellow
6.2 mm wide	yellow
8.2 mm wide	yellow
10.2 mm wide	yellow
12 mm wide	yellow
16 mm wide	yellow
Warning cover , for ST series	
4.2 mm wide	yellow
5.2 mm wide	yellow
6.2 mm wide	yellow
8.2 mm wide	yellow
10.2 mm wide	yellow

Technical data		
PA		
DIN EN 61010-1 (VDE 0411-1)		

Ordering data		
Type	Order No.	Pcs. / Pkt.
WS UT 2,5	3047923	10
WS UT 4	3047332	10
WS UT 6	3047345	10
WS UT 10	3047361	10
WS UT 16	3047374	10
WS UT 35	3047387	10
WST 1,5	3030958	50
WST 2,5	3030941	50
WST 4	3030954	50
WST 6	3030967	10
WST 10/35	3030006	25



You can save time when securing electrical connections and components in switchgear by using suitable mounting devices. By combining the mounting accessories appropriately, optimum use can be made of the available space inside the control cabinet. DIN rails form the basis for the “insides” of the control cabinet. They are used to grip the rail-mountable components firmly. Phoenix Contact provides a wide range of standardized rails made of various materials. On request, they can be supplied cut to length with pre-drilled holes. The range is rounded off by cable clamps and corresponding rails.

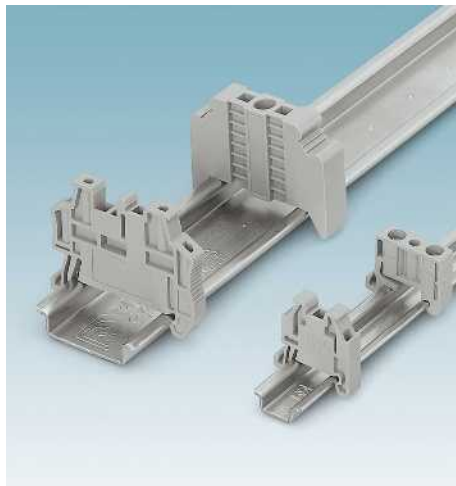
End brackets are used for a secure lateral hold on the components, especially in the event of jolts and vibrations in the systems. Depending on the application, they must either be fastened using screws or can simply be snapped onto the DIN rails as in the case of the CLIPFIX series. Label carriers can be snapped onto the end brackets for greater clarity and to create a visual distinction between individual terminal strip blocks.

There is a wide range of cover profiles to ensure the necessary level of safety. The wide choice of cable ducts provides users with flexible and straightforward cable installation solutions that simply involve breaking out the lateral segments without any need for tools. The mounting material is rounded off by installation materials that include pick-off terminal blocks, Europe terminal blocks, and junction box connectors.

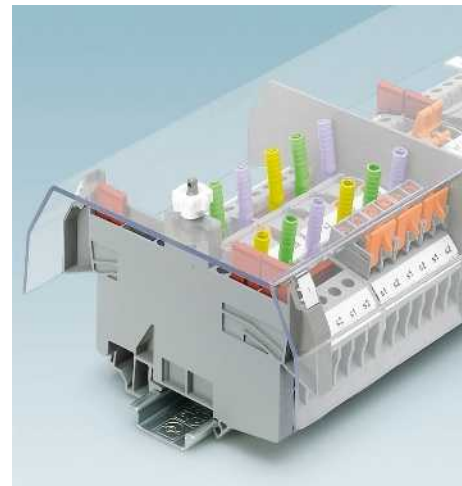
Detailed information can be found in Catalog 5 or at www.phoenixcontact.net/products



For control cabinet engineering applications, the key features of the NS 15 and NS 35 DIN rails are their high degree of dimensional accuracy and double surface tempering. They are galvanized and feature thick layer passivation, which makes them RoHS compliant.



Used in conjunction with the NS 15 and NS 35 DIN rails, the end brackets ensure that the components remain securely attached to the rails. A comprehensive range of end brackets is available for specific applications.



Cover profiles are used to cover live parts and also provide protection against accidental actuation of terminal points or disconnect terminal blocks.



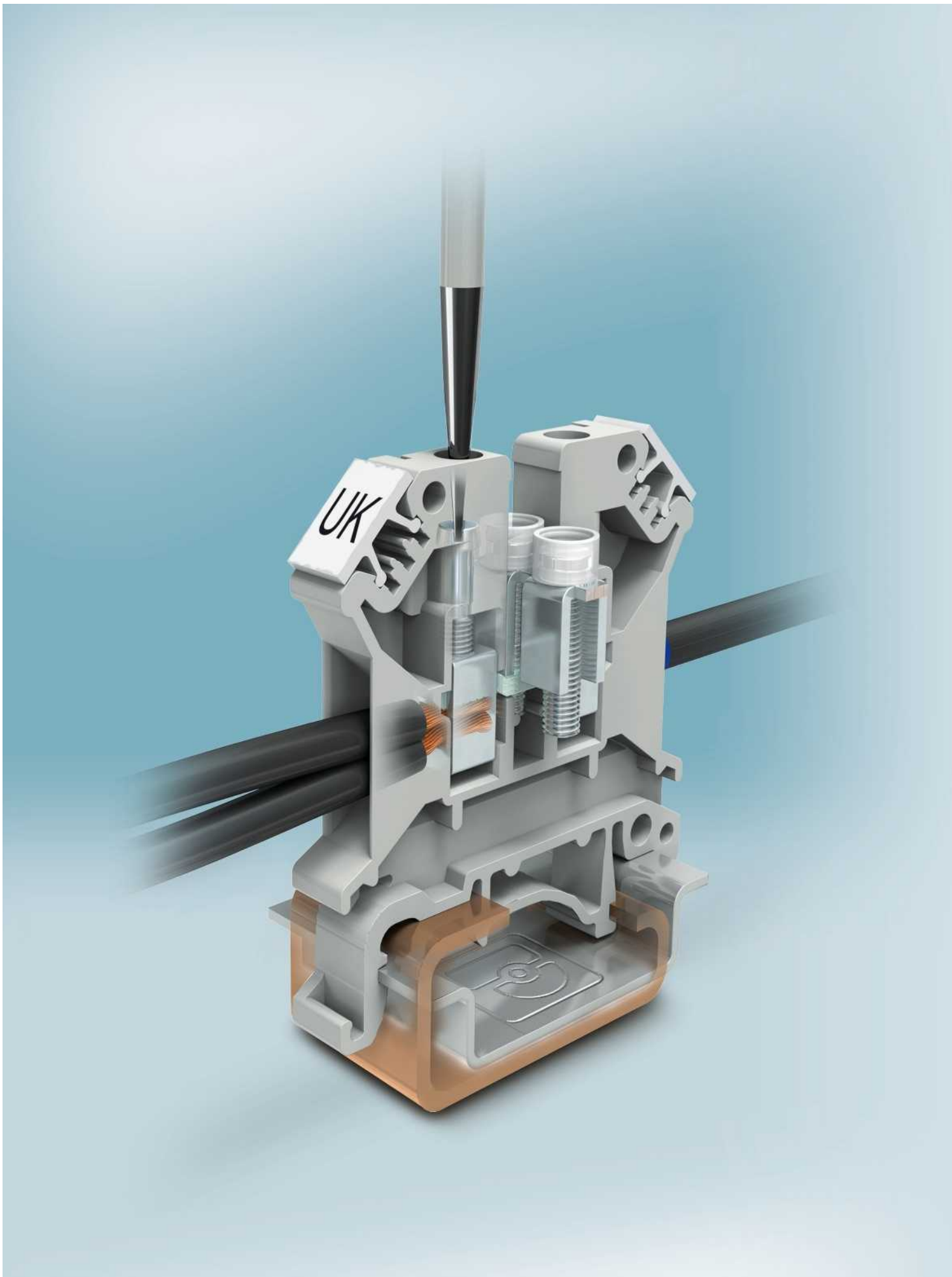
Phoenix Contact offers various connecting terminal blocks, branch terminal blocks, and power terminal blocks for busbars in switchgear and control gear.



The wide range of Europe terminal blocks includes terminal blocks with and without wire protection. The individual positions can be separated easily by twisting without the need for tools. The push-in connection technology of the junction box connector series means that solid conductors or conductors with ferrules can be inserted into the terminal point with ease. Low insertion forces and high pull-out forces ensure a secure connection.



The rail-mountable socket in a standard format is as much a must in modern switchgear as in simple distributors. The socket is mounted in an exposed position to allow assembly tools, service devices, and other electrical equipment to be installed conveniently.



UK universal modular terminal blocks, SK shield connection clamps

Universal modular terminal blocks

Screw connections continue to dominate industrial connection technology. No other connection technology can achieve such high contact forces in a confined space. Our UK universal terminal block series, which has been accepted throughout the world, is named after the universal snap-on foot for DIN and G-profile rails, as well as the multi-conductor connection. Another feature of this terminal block series is the flexible screw-type bridge system with a high current carrying capacity.

The comprehensive range of terminal blocks in this series also includes a wide range of special terminal blocks as well as standard terminal blocks. These include, for example, terminal blocks with solder or spade connections, terminal blocks for use in high temperatures, and terminal block series for power supply and building installation.

In addition to numerous approvals, all terminal blocks in the base series are certified according to the ATEX standard and can be used in Ex e potentially explosive areas.

Shield connection clamps

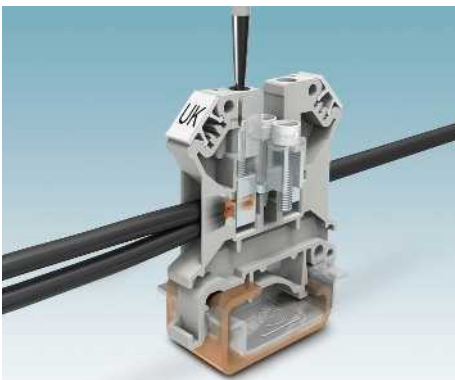
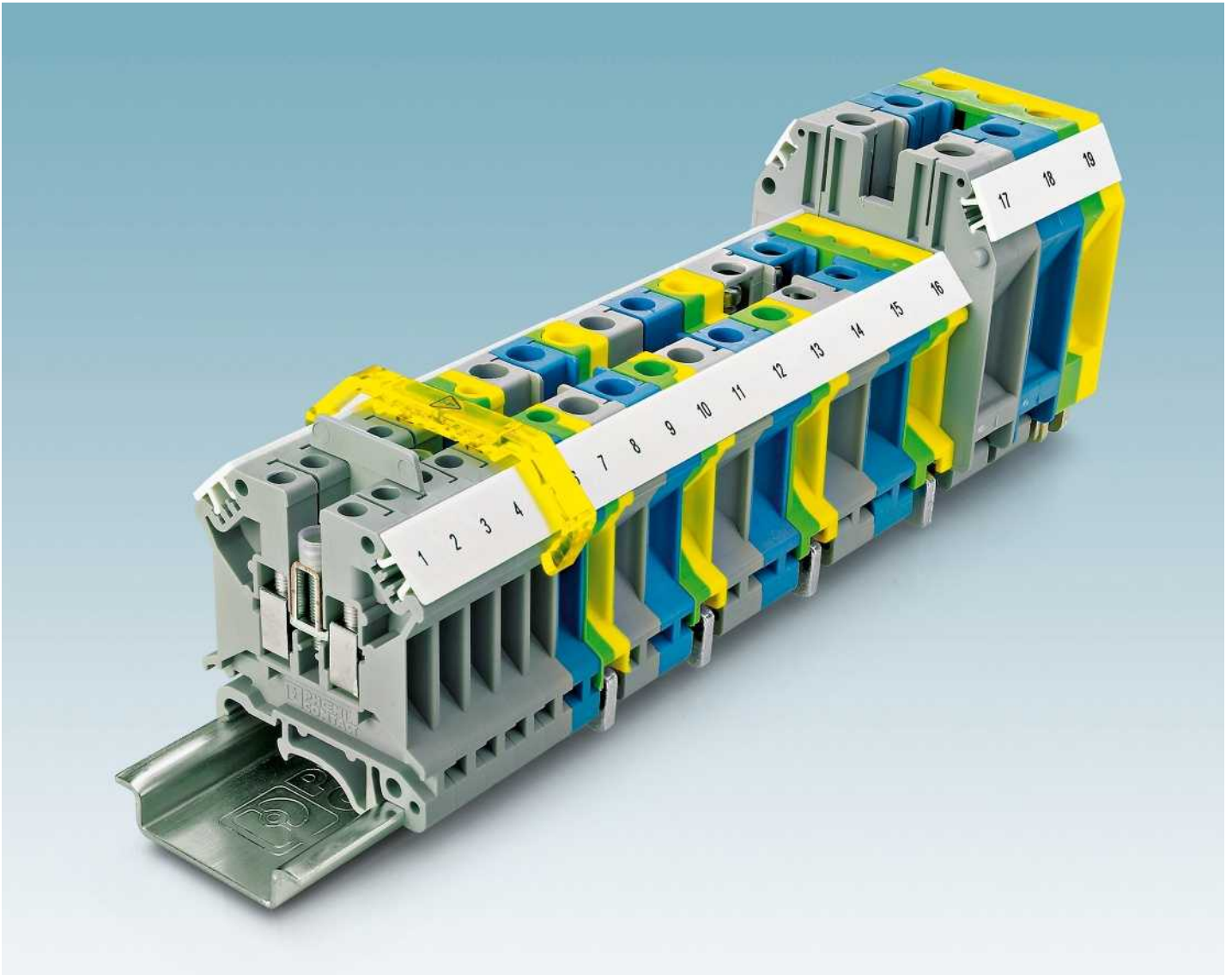
Shield connection clamps ensure error-free operation of your system. They provide optimum wiring convenience, are suitable for all standard cable shielding, and support EMC-compliant wiring thanks to their large surfaces and low-impedance and low-resistance contact transitions.

Product range overview

UK universal modular terminal blocks	490
Feed-through and ground terminal blocks	492
Feed-through and ground terminal blocks with 3 and 4 connections	500
Double-level and ground double-level terminal blocks	506
Cross-reference list: bridges	510
Three-level and three-conductor initiator terminal blocks	514
Four-conductor initiator and actuator terminal blocks	520
Three and four-level terminal blocks	522
Fuse terminal blocks	524
Lever-type fuse terminal blocks for photovoltaics	534
Disconnect terminal blocks	542
Knife disconnect terminal blocks	548
Slide-type terminal blocks, test disconnect terminal blocks	553
Double-level diode terminal blocks, component terminal blocks, LED terminal blocks	562
Ground disconnect terminal block	567
UK universal modular terminal blocks with special connection	568
PIK installation terminal blocks	581
SSK high-temperature terminal blocks	593
USST spring-assisted screw terminal blocks	597
MT and MBK mini screw terminal blocks	603
OTTA, RBO, and RSC bolt connection terminal blocks	613
G and UDB device terminal blocks	631
Accessories	636
SK shield connection clamps	642

Modular terminal blocks

UK universal modular terminal blocks



Universal and zero-maintenance

The UK screw connection is characterized by three main features:

- Global standard
- Multi-conductor connection
- Zero maintenance thanks to Reakdyn principle



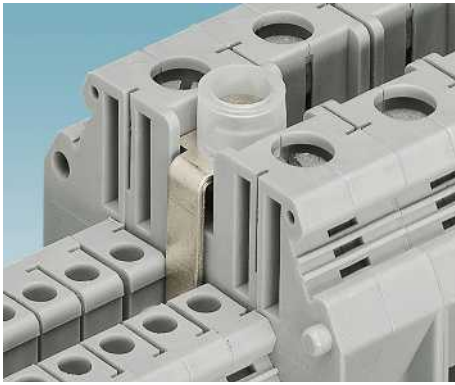
Universal housing foot

The universal foot allows the terminal blocks to be easily snapped onto two popular DIN rail profiles, the NS 35 DIN rail or the NS 32 DIN rail with G shape.

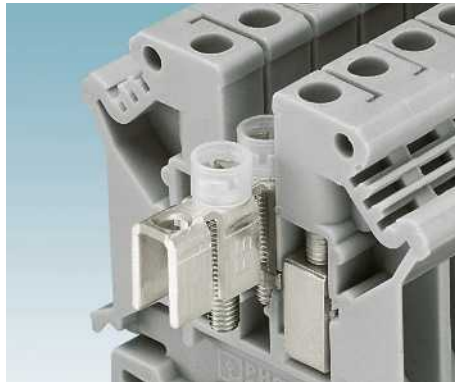


Screw-type bridge system

The area of application for modular terminal blocks is greatly determined by the bridge accessories. A wide choice of bridges is available for the UK series, enabling all switching tasks to be performed with ease.



If used with the corresponding fixed bridges, the STL... step brackets allow terminal blocks with different nominal cross sections to be connected. This allows power blocks to be created with ease.



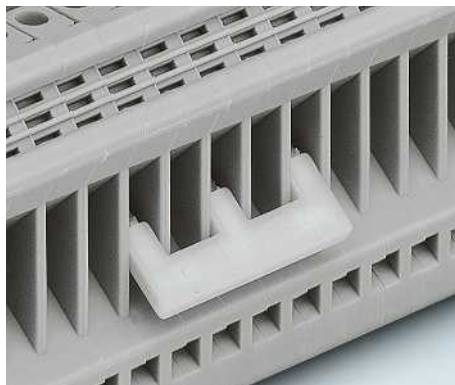
Any number of positions can be easily disconnected from a 10-pos. strip of the fixed bridge with FBI ... isolation cap, placed in the bridge shaft and screwed down.



The LB ... L bridges can be used to route two different potentials via up to 100 terminal blocks in the bridge shaft. Isolated and color-coded contact screws clearly indicate the relevant potential.



The ISSBI ... bridge bar isolator switching jumpers enable switchable cross connections if used with the IS ... bridge bar isolator. Here the screw has the function of a live switching element.



The EB ... isolated insertion bridges are simply clamped down at the connection points with or without conductors. The bridges can be assembled as required for the number of positions. Individual forks are removed for jumping bridging.



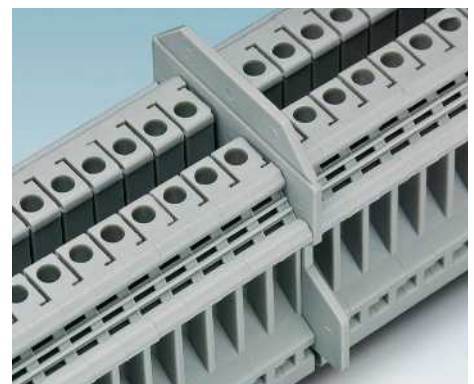
PSB ... test sockets, which can be screwed into the bridge shaft, enable reliable test connections for 2.3 mm and 4 mm test plugs. The 2.3 mm MPS ... test plug makes direct contact in the bridge shaft when using terminal blocks with 5.2 and 6.2 mm design widths.



Large and clear marking of the terminal points is essential for reliable and quick installation. Each terminal point in the UK series can be labeled separately.



The TS ... separating disk is used to electrically and visually separate two neighboring bridges. A separating disk should be placed on both sides of the bridge in order for the terminal blocks to retain their complete nominal voltage.



The partition plates protrude beyond the terminal block contours. They provide visual as well as electrical group separation.

Modular terminal blocks

UK universal modular terminal blocks

UK ... feed-through terminal blocks

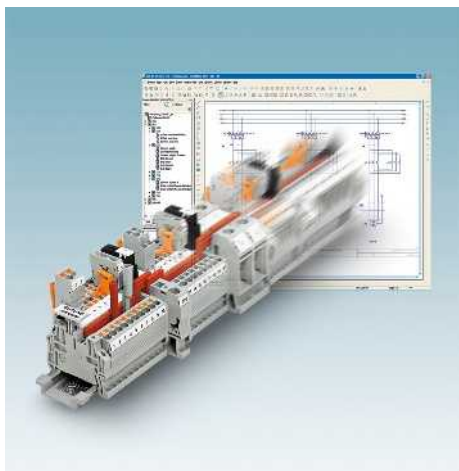


- The UK series of universal screw terminal blocks possesses typical features which are crucial to practical use
- Universal foot which can be used on NS 35... and NS 32... DIN rails
- Potential distribution alternatively via fixed bridges in the terminal center or insertion bridges in the clamping space
- High bridge currents

High-current terminal blocks up to 240 mm²

The UKH high-current terminal blocks up to 240 mm² can be found in the "UT screw connection terminal blocks" section

CLIP PROJECT Planning enables the quick and convenient planning and configuration of fault-free terminal strips.



Notes:
 For more insertion bridges, visit www.phoenixcontact.net/products
 1) For installation notes on the use of accessories for Ex e applications, see page 710.



1.5 (1.5) mm², 17.5 A, feed-through terminal block

UL US PC CE CB KR TÜV SÜD
 Ex: Ex I Ex II Ex III Ex IV Ex V Ex VI Ex VII Ex VIII Ex IX Ex X Ex XI Ex XII Ex XIII Ex XIV Ex XV Ex XVI Ex XVII Ex XVIII Ex XIX Ex XX Ex XXI Ex XXII Ex XXIII Ex XXIV Ex XXV Ex XXVI Ex XXVII Ex XXVIII Ex XXIX Ex XXX
 KEMA 98ATEX1651 U / IECEx KEM 06.0034U

Dimensions		Dimensions		Max. electrical data	
[mm]		[mm]			
4.2		4.2			
42.5		42.5			
42		47			
17.5		500		max. Ø [mm ²] 26 - 16	
IEC 60947-7-1				AWG 26 - 16	
Rated data					
Rated voltage	[V]	500	300	-	352
Nominal current / cross section	[A] / [mm ²]	17.5 / 1.5	15 / -	-	17 / 1.5 // 17 / 1.5
Rated cross section	[mm ²]	1.5	-	-	1.5
Cross section range	AWG	26 - 16	30-14	-	26 - 16
Connection capacity				Ferrule	
1 conductor	[mm ²]	0.14 - 1.5	0.14 - 1.5	0.25 - 0.75	0.25 - 0.75
Two conductors (of the same type)	[mm ²]	0.14 - 0.75	0.14 - 0.75	0.25 - 0.34	-
Two stranded conductors with a TWIN ferrule	[mm ²]				0.5 - 0.5
Max. cross section with insertion bridge	[mm ²]				
General data					
Stripping length	[mm]	7			
Screw thread		M2			
Tightening torque	[Nm]	0.22 - 0.25			
Insulating material		PA			
Inflammability class according to UL 94		V0			

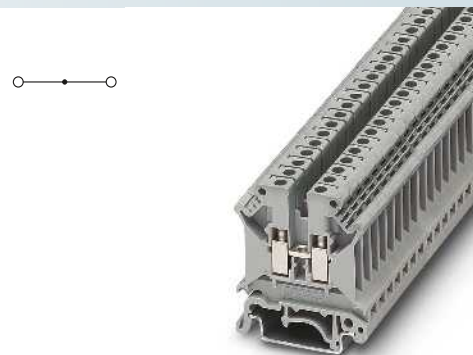
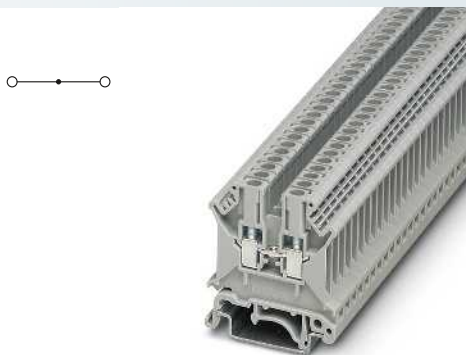
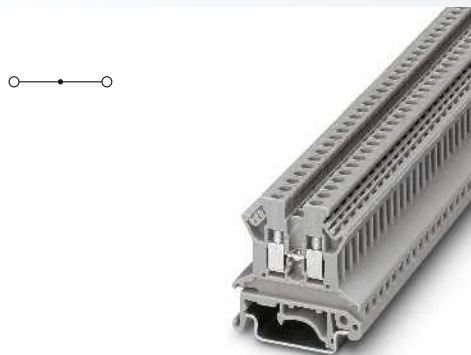
Technical data				
Width	Length	Height NS 35/7,5		
4.2	42.5	42		
Width	Length	Height NS 32		
4.2	42.5	47		
I _{max} [A]	U _{max} [V]	max. Ø [mm ²]	AWG	
17.5	500	0.14 - 1.5	26 - 16	
IEC 60947-7-1			Ex	
IEC	UL/CUL	CSA	IEC/EN 60079-7	
500	300	-	352	
17.5 / 1.5	15 / -	-	17 / 1.5 // 17 / 1.5	
1.5	-	-	1.5	
26 - 16	30-14	-	26 - 16	
solid	stranded	Without / with plastic sleeve		
0.14 - 1.5	0.14 - 1.5	0.25 - 0.75	0.25 - 0.75	
0.14 - 0.75	0.14 - 0.75	0.25 - 0.34	-	
			0.5 - 0.5	

Description	No. of pos.	Color
Terminal block, for mounting on NS 32... or NS 35...		gray
		blue

Ordering data			
Type	I _{max}	Order No.	Pcs. / Pkt.
UK 1,5 N		3005837	50
UK 1,5 N BU		3005840	50

Cover, width 1.5 mm		gray
		blue
Cover, width 1.8 mm		gray
		blue
Fixed bridge, insulated	10	silver
Insertion bridge, insulated	10	gray
Switch bar for 2 terminal blocks, complete, to increase insulation an end cover must be interposed	2	silver
Isolator bridge bar, divisible, with 10 screws, for switchable branches with IS-K...	10	silver
Bridge bar isolator, as distance piece for isolator bridge bar		gray
Separating disk, for separation of neighboring bridges, can be fitted later, no loss of pitch		gray
Partition plate, 1.5 mm wide		gray
Test socket		silver
Test socket, insulated, can be used only with FBI and ISSBI		silver
Screwdriver		
Lateral groove labeling		

Accessories ¹⁾			
D-UK 2,5		3001022	50
D-UK 2,5 BU		3001103	50
FBRN 10-4 N	12 A	3001624	10
ATP-UK		3003224	50
SZS 0,4X2,5 VDE		1205037	10
ZB 4 (see Catalog 5)			



2.5 (4) mm², 24 A, feed-through terminal block

2.5 (4) mm², 32 A, feed-through terminal block

4 (6) mm², 41 A, feed-through terminal block



Ex: KEMA 06ATEX0119 U / IECEx KEM 06.0034U

Technical data			
Width	Length	Height NS 35/7,5	
5.2	42.5	42	
Width	Length	Height NS 32	
5.2	42.5	47	
I_{max} [A]	U_{max} [V]	max. Ø [mm ²]	AWG
24	800	0.2 - 4	24 - 12
IEC 60947-7-1			
IEC	UL/CUL	CSA	IEC/EN 60079-7
800	300	300	550
24 / 2.5	20 / -	20 / -	27
2.5	-	-	2.5
24 - 12	30-12	28-12	24 - 12
solid	stranded	Ferrule	
Without / with plastic sleeve			
0.2 - 4	0.2 - 2.5	0.25 - 2.5	0.25 - 1
0.2 - 1	0.25 - 1	0.25 - 1	-
			0.5 - 1.5
2.5	2.5		
7			
M3			
0.6 - 0.8			
PA			
V2			



Ex: KEMA 98ATEX1651 U / IECEx KEM 06.0034U

Technical data			
Width	Length	Height NS 35/7,5	
5.2	42.5	47	
Width	Length	Height NS 32	
5.2	42.5	52	
I_{max} [A]	U_{max} [V]	max. Ø [mm ²]	AWG
32	800	0.2 - 4	24 - 12
IEC 60947-7-1			
IEC	UL/CUL	CSA	IEC/EN 60079-7
800	600	600	690
24 / 2.5	20 / -	20 / -	23 / 2.5 // 29 / 4
2.5	-	-	2.5
24 - 12	28-12	28-12	24 - 12
solid	stranded	Ferrule	
Without / with plastic sleeve			
0.2 - 4	0.2 - 2.5	0.25 - 4	0.25 - 2.5
0.2 - 1.5	0.2 - 1.5	0.25 - 1.5	-
			0.5 - 1.5
4	2.5		
8			
M3			
0.6 - 0.8			
PA			
V0			



Ex: KEMA 98ATEX1651 U / IECEx KEM 06.0034U

Technical data			
Width	Length	Height NS 35/7,5	
6.2	42.5	47	
Width	Length	Height NS 32	
6.2	42.5	52	
I_{max} [A]	U_{max} [V]	max. Ø [mm ²]	AWG
41	800	0.2 - 6	24 - 10
IEC 60947-7-1			
IEC	UL/CUL	CSA	IEC/EN 60079-7
800	600	600	550
32 / 4	30 / -	40 / -	32.5 / 4 // 37.5 / 6
4	-	-	4
24 - 10	30-10	28-10	24 - 10
solid	stranded	Ferrule	
Without / with plastic sleeve			
0.2 - 6	0.2 - 4	0.25 - 4	0.25 - 2.5
0.2 - 1.5	0.2 - 1.5	0.25 - 1.5	-
			0.5 - 2.5
4	4		
8			
M3			
0.6 - 0.8			
PA			
V0			

Ordering data			
Type	I_{max}	Order No.	Pcs. / Pkt.
UK 2,5 N		3003347	50
UK 2,5 N BU		3003350	50

Ordering data			
Type	I_{max}	Order No.	Pcs. / Pkt.
UK 3 N		3001501	50
UK 3 N BU		3001514	50

Ordering data			
Type	I_{max}	Order No.	Pcs. / Pkt.
UK 5 N		3004362	50
UK 5 N BU		3004388	50

Accessories ¹⁾			
D-UK 2,5		3001022	50
D-UK 2,5 BU		3001103	50
FBRI 10-5 N	24 A	2770642	10
EBL 10- 5	24 A	2303132	10
USBR 2-7	18 A	2303239	1
TS-KK 3		2770215	50
ATP-UK		3003224	50
PSB 3/10/4		0601292	10
PSBJ 3/13/4		0201304	10
SF-SL 0,6X3,5-100 S-VDE		1212587	10

Accessories ¹⁾			
D-UK 4/10		3003020	50
D-UK 4/10 BU		3003101	50
FBRI 10-5 N	30 A	2770642	10
EBL 10- 5	24 A	2303132	10
TS-K		1302215	50
ATP-UK		3003224	50
PSB 3/10/4		0601292	10
PSBJ 3/13/4		0201304	10
SF-SL 0,6X3,5-100 S-VDE		1212587	10

Accessories ¹⁾			
D-UK 4/10		3003020	50
D-UK 4/10 BU		3003101	50
FBI 10- 6	41 A	0203250	10
EB 10- 6	32 A	0201139	10
USBR 2-7	34 A	2303239	1
ISSBI 10- 6	30 A	0301505	10
IS-K 4		1302338	100
TS-K		1302215	50
ATP-UK		3003224	50
PSB 3/10/4		0601292	10
PSBJ 3/13/4		0201304	10
SF-SL 0,6X3,5-100 S-VDE		1212587	10

ZB 5 (see Catalog 5)

ZB 5 (see Catalog 5)

ZB 6 (see Catalog 5)

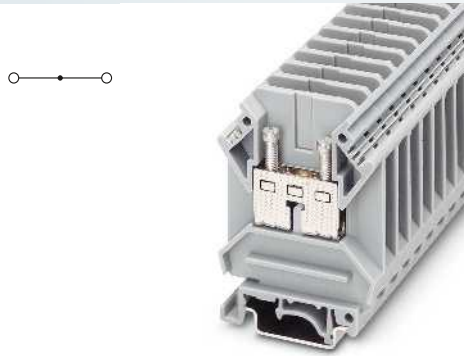
Modular terminal blocks

UK universal modular terminal blocks

UK ... feed-through terminal blocks

- All universal terminal blocks of series UK... can also be used in the area at risk of explosion according to IEC/EN 60079 as standard
- The corresponding EC sample test certificate numbers for Ex approval can be found in the technical connection data

Notes:
 1) For installation notes on the use of accessories for Ex e applications, see page 710.



6 (10) mm², 57 A, 2000 V, feed-through terminal block

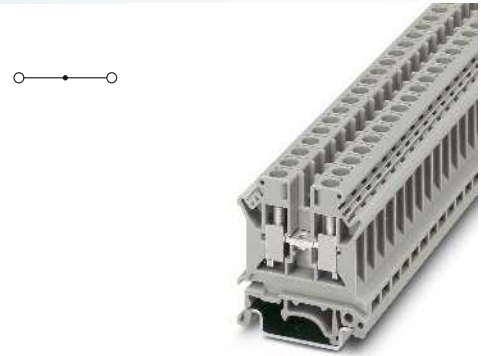
CE, UL, IEC, KEMA, ABS, ClassNK, CCA
 Ex:
 89.B.1083 U

Technical data				
Width	Length	Height NS 35/7,5		
10.2	52	70.5		
Width	Length	Height NS 32		
10.2	52	75.5		
I_{max} [A]	U_{max} [V]	max. Ø [mm²]	AWG	
57	2000	0.5 - 10	20 - 8	
IEC 60947-7-1				
IEC	UL/CUL	CSA	IEC/EN 60079-7	
Rated voltage [V]	2000	1000	600	1100
Nominal current / cross section [A] / [mm²]	41	50 / -	25 / -	-
Rated cross section [mm²]	6	-	-	-
Cross section range	20 - 8	26-8	26-12	-
Connection capacity	solid	stranded	Ferrule	
				Without / with plastic sleeve
1 conductor [mm²]	0.5 - 10	0.5 - 6	0.5 - 10	0.5 - 6
Two conductors (of the same type) [mm²]	0.5 - 6	0.5 - 6	0.5 - 6	-
Two stranded conductors with a TWIN ferrule [mm²]				0.5 - 6
Max. cross section with insertion bridge [mm²]				
Stripping length [mm]	10			
Screw thread	M4			
Tightening torque [Nm]	1.5 - 1.8			
Insulating material	PA			
Inflammability class according to UL 94	V2			

Ordering data			
Type	I_{max}	Order No.	Pcs. / Pkt.
UHSK/S 2000		0704076	50

Accessories ¹⁾			
D-UHSK 2000		0704021	50
FBI 10-10	61 A	0203276	10

ZB 10 (see Catalog 5)



6 (10) mm², 57 A, feed-through terminal block

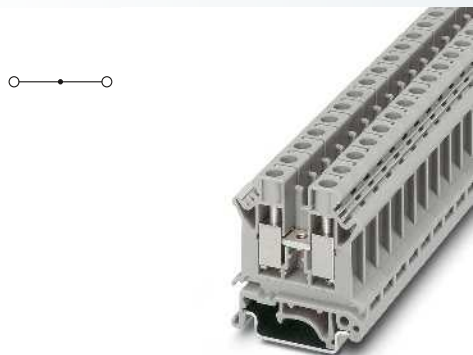
CE, UL, IEC, KEMA, ABS, ClassNK, CCA
 Ex:
 KEMA 98ATEX1651 U / IECEx KEM 06.0034U

Technical data				
Width	Length	Height NS 35/7,5		
8.2	42.5	47		
Width	Length	Height NS 32		
8.2	42.5	52		
I_{max} [A]	U_{max} [V]	max. Ø [mm²]	AWG	
57	800	0.2 - 10	24 - 8	
IEC 60947-7-1				
IEC	UL/CUL	CSA	IEC/EN 60079-7	
Rated voltage [V]	800	600	600	690
Nominal current / cross section [A] / [mm²]	41 / 6	50 / -	50 / -	43.5 / 6 // 58.5 / 10
Rated cross section [mm²]	6	-	-	6
Cross section range	24 - 8	26-8	26-8	24 - 8
Connection capacity	solid	stranded	Ferrule	
				Without / with plastic sleeve
0.2 - 10	0.2 - 6	0.25 - 6		
0.2 - 2.5	0.2 - 2.5	0.25 - 1.5		
4	4	0.5 - 4		
Stripping length [mm]	10			
Screw thread	M4			
Tightening torque [Nm]	1.5 - 1.8			
Insulating material	PA			
Inflammability class according to UL 94	V0			

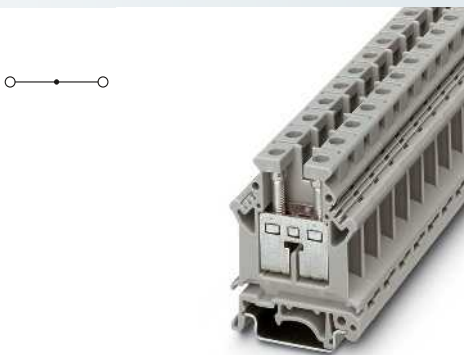
Ordering data			
Type	I_{max}	Order No.	Pcs. / Pkt.
UK 6 N		3004524	50
UK 6 N BU		3004977	50

Accessories ¹⁾			
D-UK 4/10		3003020	50
FBI 10- 8	57 A	0203263	10
EB 10- 8	57 A	0202138	10
SB 2- 8/13 N	40 A	0200062	1
ISSBI 10- 8	57 A	0301534	10
IS-K 10		1303337	100
TS-K		1302215	50
ATP-UK		3003224	50
PSB 4/7/6		0303299	10
SZS 1,0X4,0 VDE		1205066	10

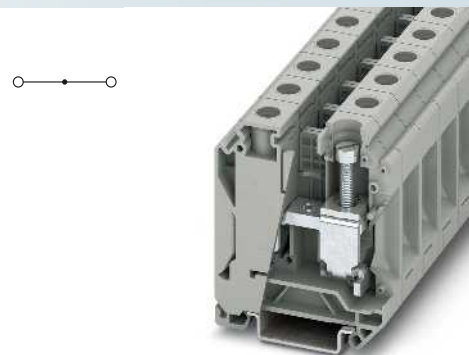
ZB 8 (see Catalog 5)



10 (16) mm², 76 A, feed-through terminal block



16 (25) mm², 101 A, feed-through terminal block



35 (35) mm², 125 A, feed-through terminal block

Ex: KEMA 98ATEX1786U / IECEx KEM 06.0029U

Ex: KEMA 98ATEX1786U / IECEx KEM 06.0029U



Technical data			
Width	Length	Height NS 35/7,5	
10.2	42.5	47.3	
Width	Length	Height NS 32	
10.2	42.5	52	
I _{max} [A]	U _{max} [V]	max. Ø [mm ²]	AWG
76	800	0.5 - 16	20 - 6
IEC 60947-7-1			
IEC	UL/CUL	CSA	IEC/EN 60079-7
800	600	600	690
57 / 10	65 / -	65 / -	57 / 10 // 73 / 16
10	-	-	10
20 - 6	24-6	24-6	20 - 6
solid	stranded	Ferrule	
		Without / with plastic sleeve	
0.5 - 16	0.5 - 10	0.5 - 10	0.5 - 6
0.5 - 4	0.5 - 4	0.5 - 2.5	-
			0.5 - 6
10	10		
10			
M4			
1.5 - 1.8			
PA			
V0			

Technical data			
Width	Length	Height NS 35/7,5	
12.2	42.5	54	
Width	Length	Height NS 32	
12.2	42.5	59	
I _{max} [A]	U _{max} [V]	max. Ø [mm ²]	AWG
101	800	2.5 - 25	14 - 4
IEC 60947-7-1			
IEC	UL/CUL	CSA	IEC/EN 60079-7
800	600	600	690
76 / 16	85 / -	85 / -	74 / 16 // 91.5 / 25
16	-	-	16
14 - 4	22-4	22-4	14 - 4
solid	stranded	Ferrule	
		Without / with plastic sleeve	
2.5 - 25	4 - 16	1.5 - 16	1.5 - 16
1.5 - 6	1.5 - 4	1.5 - 6	-
			0.75 - 10
16	16		
11			
M4			
1.5 - 1.8			
PA			
V0			

Technical data			
Width	Length	Height NS 35/7,5	
16	54.5	62.1	
Width	Length	Height NS 32	
16	54.5	-	
I _{max} [A]	U _{max} [V]	max. Ø [mm ²]	AWG
125	800	10 - 35	8 - 2
IEC 60947-7-1			
IEC	UL/CUL	CSA	IEC/EN 60079-7
800	-	-	-
125 / 35	- / -	-	-
35	-	-	-
8 - 2	-	-	-
solid	stranded	Ferrule	
		Without / with plastic sleeve	
10 - 35	10 - 35	10 - 35	10 - 35
6 - 16	6 - 10	6 - 10	-
			6 - 10
16			
M6			
3.2 - 3.7			
PA			
V0			

Ordering data			
Type	I _{max}	Order No.	Pcs. / Pkt.
UK 10 N		3005073	50
UK 10 N BU		3005086	50

Ordering data			
Type	I _{max}	Order No.	Pcs. / Pkt.
UK 16 N		3006043	50
UK 16 N BU		3006056	50

Ordering data			
Type	I _{max}	Order No.	Pcs. / Pkt.
UK 35 N		3074130	50
UK 35 N BU		3058350	50

Accessories ¹⁾			
D-UK 4/10		3003020	50
FBI 10-10	76 A	0203276	10
EB 10-10	70 A	0203137	10
TS-K		1302215	50
ATP-UK		3003224	50
PSB 4/7/6		0303299	10
SZS 1,0X4,0 VDE		1205066	10

Accessories ¹⁾			
D-UK 16		3006027	50
FBI 10-12	101 A	0203454	10
EB 10-12	70 A	3006137	10
TS-K		1302215	50
ATP-UK		3003224	50
PSB 4/7/6		0303299	10
SZS 1,0X4,0 VDE		1205066	10

Accessories ¹⁾			
FBI 2-15	125 A	0201333	10
PSB 6/5/6		0205290	10
SZS 1,0X6,5 VDE		1205079	10

ZB 10 (see Catalog 5)

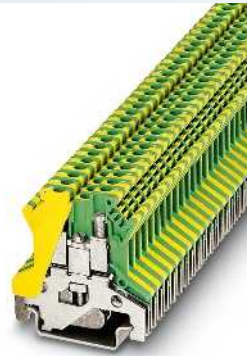
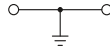
ZB 12 (see Catalog 5)

ZB 16,3 (see Catalog 5)

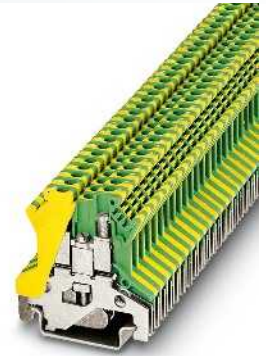
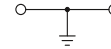
Modular terminal blocks

UK universal modular terminal blocks

USLKG ... ground terminal blocks



1.5 (1.5) mm², ground terminal block



2.5 (4) mm², ground terminal block

Notes:
 For current carrying capacity of DIN rails, see page 716.
 1) For installation notes on the use of accessories for Ex e applications, see page 710.

Ex:
 KEMA 99ATEX4487U / IECEx KEM 06.0035U

Technical data				
Width	Length	Height NS 35/7,5		
4.2	42.5	42		
Width	Length	Height NS 32		
4.2	42.5	47		
Max. electrical data		max. Ø [mm ²]	AWG	
		0.14 - 1.5	26 - 16	
Rated data				
IEC 60947-7-2				
IEC	UL/CUL	CSA	IEC/EN 60079-7	
-	-	-	-	
Nominal current / cross section	[A] / [mm ²]	- / -	-	
Rated cross section	[mm ²]	1.5	1.5	
Cross section range	AWG	26 - 16	30-14	
Connection capacity				
		Ferrule		
		Without / with plastic sleeve		
1 conductor	[mm ²]	0.14 - 1.5	0.14 - 1.5	0.25 - 0.75 0.25 - 0.75
Two conductors (of the same type)	[mm ²]	0.14 - 0.75	0.14 - 0.75	0.25 - 0.34 -
Two stranded conductors with a TWIN ferrule	[mm ²]	0.5 - 0.5		
General data				
Stripping length	[mm]	7		
Screw thread		M2		
Terminal point: thread / torque	- / [Nm]	M2 / 0.22 - 0.25		
Mounting: thread / torque	- / [Nm]	M2 / 0.22 - 0.25		
Insulating material		PA		
Inflammability class according to UL 94		V0		

Ordering data		
Type	Order No.	Pcs. / Pkt.
USLKG 1,5 N	3005853	50

Accessories ¹⁾		
SZS 0,4X2,5 VDE	1205037	10
ZB 4 (see Catalog 5)		

Ex:
 KEMA 96ATEX4370 U / IECEx KEM 06.0035U

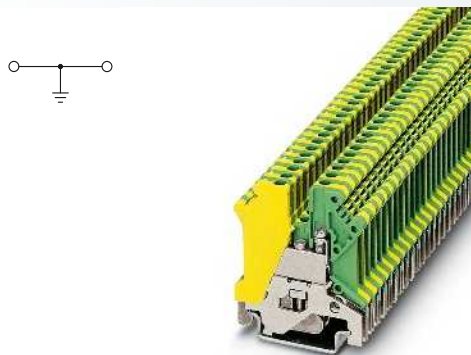
Technical data				
Width	Length	Height NS 35/7,5		
5.2	42.5	42		
Width	Length	Height NS 32		
5.2	42.5	47		
Max. electrical data		max. Ø [mm ²]	AWG	
		0.2 - 4	24 - 12	
Rated data				
IEC 60947-7-2				
IEC	UL/CUL	CSA	IEC/EN 60079-7	
-	-	-	-	
Nominal current / cross section	[A] / [mm ²]	- / -	-	
Rated cross section	[mm ²]	2.5	2.5	
Cross section range	AWG	24 - 12	30-12	
Connection capacity				
		Ferrule		
		Without / with plastic sleeve		
1 conductor	[mm ²]	0.2 - 4	0.2 - 2.5	0.25 - 2.5 0.25 - 1.5
Two conductors (of the same type)	[mm ²]	0.2 - 1	0.2 - 1	0.25 - 1.5 -
Two stranded conductors with a TWIN ferrule	[mm ²]	0.5 - 1.5		
General data				
Stripping length	[mm]	7		
Screw thread		M3		
Terminal point: thread / torque	- / [Nm]	M3 / 0.6 - 0.8		
Mounting: thread / torque	- / [Nm]	M2,5 / 0.5 - 0.6		
Insulating material		PA		
Inflammability class according to UL 94		V0		

Ordering data		
Type	Order No.	Pcs. / Pkt.
USLKG 2,5 N	0441119	50
USLKG 2,5 N-1	0443081	50

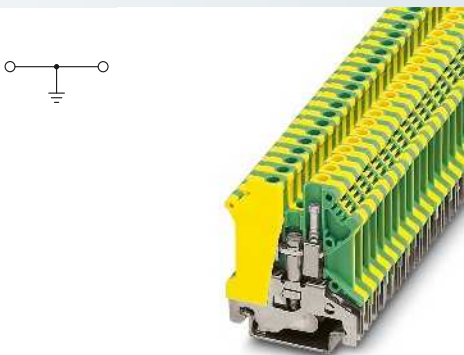
Accessories ¹⁾		
SF-SL 0,6X3,5-100 S-VDE	1212587	10
ZB 5 (see Catalog 5)		

Description	Color
Ground terminal block, for mounting on NS 32... or NS 35...	green-yellow
Ground terminal block, for mounting on NS 35/15-2,3	green-yellow

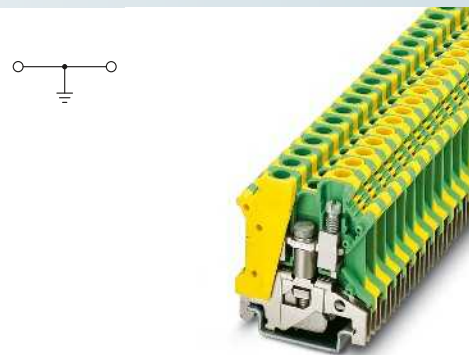
Screwdriver	
Lateral groove labeling	



2.5 (4) mm², ground terminal block



4 (6) mm², ground terminal block



6 (10) mm², ground terminal block

Ex:
KEMA 97ATEX1622 U / IECEx KEM 06.0035U

Ex:
KEMA 99ATEX4487U / IECEx KEM 06.0035U

Ex:
KEMA 96ATEX4370 U / IECEx KEM 06.0035U

Technical data			
Width	Length	Height NS 35/7,5	
5.2	42.5	47	
Width	Length	Height NS 32	
5.2	42.5	52	
		max. Ø [mm ²]	AWG
		0.2 - 4	24 - 12
IEC 60947-7-2			
IEC	UL/CUL	CSA	IEC/EN 60079-7
-	-	-	-
-	-/-	-	-
2.5	-	-	2.5
24 - 12	28-12	22-12	24 - 12
solid	stranded	Ferrule	
		Without / with plastic sleeve	
0.2 - 4	0.2 - 2.5	0.25 - 2.5	0.25 - 1.5
0.2 - 1.5	0.2 - 1.5	0.25 - 1.5	-
		0.5 - 1.5	
8			
M3			
M3 / 0.6 - 0.8			
M2,5 / 0.5 - 0.6			
PA			
V0			

Technical data			
Width	Length	Height NS 35/7,5	
6.2	42.5	47	
Width	Length	Height NS 32	
6.2	42.5	52	
		max. Ø [mm ²]	AWG
		0.2 - 6	24 - 10
IEC 60947-7-2			
IEC	UL/CUL	CSA	IEC/EN 60079-7
-	-	-	-
-	-/-	-	-
4	-	-	4
24 - 10	26-10	26-10	24 - 10
solid	stranded	Ferrule	
		Without / with plastic sleeve	
0.2 - 6	0.2 - 4	0.25 - 4	0.25 - 2.5
0.2 - 1.5	0.2 - 1.5	0.25 - 1.5	-
		0.5 - 2.5	
8			
M3			
M3 / 0.6 - 0.8			
M3 / 0.6 - 0.8			
PA			
V0			

Technical data			
Width	Length	Height NS 35/7,5	
8.2	42.5	47	
Width	Length	Height NS 32	
8.2	42.5	52	
		max. Ø [mm ²]	AWG
		0.2 - 10	24 - 8
IEC 60947-7-2			
IEC	UL/CUL	CSA	IEC/EN 60079-7
-	-	-	-
-	-/-	-	-
6	-	-	6
24 - 8	26-8	-	24 - 8
solid	stranded	Ferrule	
		Without / with plastic sleeve	
0.2 - 10	0.2 - 6	0.25 - 6	0.25 - 6
0.2 - 2.5	0.2 - 2.5	0.25 - 1.5	-
		0.5 - 4	
10			
M4			
M4 / 1.5 - 1.8			
M4 / 1.5 - 1.8			
PA			
V0			

Ordering data		
Type	Order No.	Pcs. / Pkt.
USLKG 3	0441083	50
USLKG 3-1	0441106	50

Ordering data		
Type	Order No.	Pcs. / Pkt.
USLKG 5	0441504	50
USLKG 5-1	0441517	50

Ordering data		
Type	Order No.	Pcs. / Pkt.
USLKG 6 N	0442079	50
USLKG 6 N-1	0444048	50

Accessories ¹⁾		
SF-SL 0,6X3,5-100 S-VDE	1212587	10
ZB 5 (see Catalog 5)		

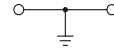
Accessories ¹⁾		
SF-SL 0,6X3,5-100 S-VDE	1212587	10
ZB 6 (see Catalog 5)		

Accessories ¹⁾		
SZS 1,0X4,0 VDE	1205066	10
ZB 8 (see Catalog 5)		

Modular terminal blocks

UK universal modular terminal blocks

USLKG ... ground terminal blocks



10 (16) mm², 76 A, ground terminal block

Notes:
 For current carrying capacity of DIN rails, see page 716.
 1) For installation notes on the use of accessories for Ex e applications, see page 710.

Ex:

 KEMA 99ATEX4487U / IECEx KEM 06.0035U

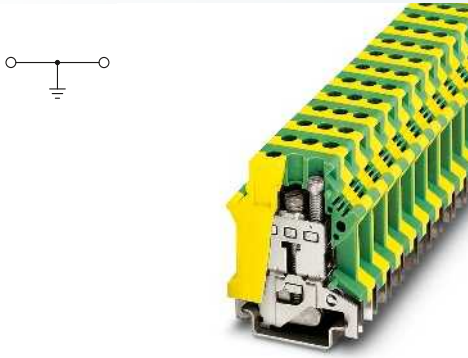
Dimensions	
	[mm]
Dimensions	[mm]
Max. electrical data	
Rated data	
Rated voltage	[V]
Nominal current / cross section	[A] / [mm ²]
Rated cross section	[mm ²]
Cross section range	AWG
Connection capacity	
1 conductor	[mm ²]
Two conductors (of the same type)	[mm ²]
Two stranded conductors with a TWIN ferrule	[mm ²]
General data	
Stripping length	[mm]
Screw thread	
Terminal point: thread / torque	- / [Nm]
Mounting: thread / torque	- / [Nm]
Insulating material	
Inflammability class according to UL 94	

Technical data			
Width	Length	Height NS 35/7,5	
10.2	42.5	47	
Width	Length	Height NS 32	
10.2	42.5	52	
I _{max.} [A]		max. Ø [mm ²]	AWG
76		0.5 - 16	20 - 6
IEC 60947-7-2			
IEC	UL/CUL	CSA	IEC/EN 60079-7
-	-	-	-
57 / 10	- / -	-	-
10	-	-	10
20 - 6	24-6	24-6	20 - 6
Connection capacity	solid	stranded	Ferrule
			Without / with plastic sleeve
1 conductor	0.5 - 16	0.5 - 10	0.5 - 10 0.5 - 6
Two conductors (of the same type)	0.5 - 4	0.5 - 4	0.5 - 2.5 -
Two stranded conductors with a TWIN ferrule			0.5 - 6
General data			
Stripping length	[mm]	10	
Screw thread		M4	
Terminal point: thread / torque	- / [Nm]	M4 / 1.5 - 1.8	
Mounting: thread / torque	- / [Nm]	M4 / 1.5 - 1.8	
Insulating material		PA	
Inflammability class according to UL 94		V0	

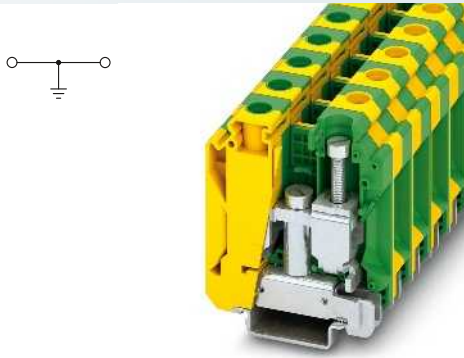
Description	Color
Ground terminal block, for mounting on NS 32... or NS 35...	green-yellow
Ground terminal block, for mounting on NS 35/15-2,3	green-yellow
Ground terminal block, for mounting on NS 35...	green-yellow

Ordering data		
Type	Order No.	Pcs. / Pkt.
USLKG 10 N	3003923	50
USLKG 10 N-1	0442082	50

Accessories ¹⁾	
Screwdriver	SZS 1,0X4,0 VDE 1205066 10
Lateral groove labeling	ZB 10 (see Catalog 5)



16 (25) mm², 101 A, ground terminal block



35 (35) mm², 125 A, ground terminal block

UL, ABS, ClassNK, Ex, IEC, UL, ABS, KR, ClassNK

Ex: KEMA 99ATEX4487U / IECEx KEM 06.0035U

Technical data			
Width	Length	Height NS 35/7,5	
12.2	42.5	54	
Width	Length	Height NS 32	
12.2	42.5	59	
I _{max} [A]	max. Ø [mm ²]	AWG	
101	2.5 - 25	12 - 4	
IEC 60947-7-2			
IEC	UL/CUL	CSA	IEC/EN 60079-7
-	-	-	-
76 / 16	- / -	-	-
16	-	-	16
12 - 4	22-4	22-4	12 - 4
solid	stranded	Ferrule	
		Without / with plastic sleeve	
2.5 - 25	4 - 16	1.5 - 16	1.5 - 16
1.5 - 6	1.5 - 4	1.5 - 6	-
			0.75 - 10

Technical data			
Width	Length	Height NS 35/7,5	
16	53.4	62	
Width	Length	Height NS 32	
16	53.4	-	
I _{max} [A]	max. Ø [mm ²]	AWG	
125	10 - 35	8 - 2	
IEC 60947-7-2			
IEC	UL/CUL	CSA	IEC/EN 60079-7
-	-	-	-
125 / 35	- / -	-	-
35	-	-	-
8 - 2	-	-	-
solid	stranded	Ferrule	
		Without / with plastic sleeve	
10 - 35	10 - 35	10 - 35	10 - 35
6 - 16	6 - 10	6 - 10	-
			6 - 10

11
M4
M4 / 1.5 - 1.8

M4 / 1.5 - 1.8

PA
V0

16
M6
M6 / 3.2 - 3.7

M5 / 2.5 - 3

PA
V0

Ordering data		
Type	Order No.	Pcs. / Pkt.
USLKG 16 N	0443023	50
USLKG16 N-1	0443036	50

Ordering data		
Type	Order No.	Pcs. / Pkt.
USLKG 35 N	3074143	50

Accessories ¹⁾		
SZS 1,0X4,0 VDE	1205066	10
ZB 12 (see Catalog 5)		

Accessories ¹⁾		
SZS 1,0X6,5 VDE	1205079	10
ZB 16,3 (see Catalog 5)		

Modular terminal blocks

UK universal modular terminal blocks

UK...-TWIN and UK 10-PLUS feed-through terminal blocks with 3 connections



- These twin modular terminal blocks are designed for the basic job of potential branching
- Easy connection of conductors that differ greatly with regard to type and cross section
- Two independent conductor connections can be used on the switch cabinet side
- Bridgeable in the terminal center, even with neighboring feed-through terminal blocks added: UK 3-TWIN with UK 3 N, UK 5-TWIN with UK 5 N, and UK 10-TWIN and UK 10-PLUS with UK 10 N
- The UK 3-TWIN and UK 5-TWIN terminal blocks have the same shape but different pitch widths
- The UK 10-TWIN has two 10 mm² connection options
- The UK 10-PLUS has one connection for connecting through a 10 mm² supply cable and a 4 mm² tap
- UK 10-TWIN and UK 10-PLUS can also be bridged in the terminal center with UK 10 N feed-through terminal blocks
- With universal foot for mounting on NS 35... or NS 32... DIN rails

Notes:
If added to the open side of the UK 3-TWIN and UK 5-TWIN universal terminal blocks, the open metal part must be closed with the UK 5-TWIN-DECKELSEGMENT, five of which are supplied with every package.
1) The total current of all connected conductors must not exceed the max. load current.
2) Tap: 41 A / 6 mm ²



2.5 (2.5) mm², 24 A, feed-through terminal block, 3 connections



Dimensions		[mm]
Dimensions		[mm]
Max. electrical data		
Rated data		
Rated voltage	[V]	400
Nominal current / cross section	[A] / [mm ²]	24 / 2.5
Rated cross section	[mm ²]	2.5
Cross section range	AWG	24 - 14
Connection capacity continuity		
1 conductor	[mm ²]	0.2 - 2.5
Two conductors (of the same type)	[mm ²]	0.2 - 0.5
Two stranded conductors with a TWIN ferrule	[mm ²]	0.25 - 0.5
Max. cross section with insertion bridge	[mm ²]	0.5 - 0.75
Connection capacity pick-off		
1 conductor	[mm ²]	-
Two conductors (of the same type)	[mm ²]	-
Two conductors with a TWIN ferrule	[mm ²]	-
General data		
Stripping length: continuity / pick-off	[mm]	8 / -
Continuity: thread / torque		M3 / 0.5 - 0.6
Pick-off: thread / torque		- / -
Insulating material		PA
Inflammability class according to UL 94		V0

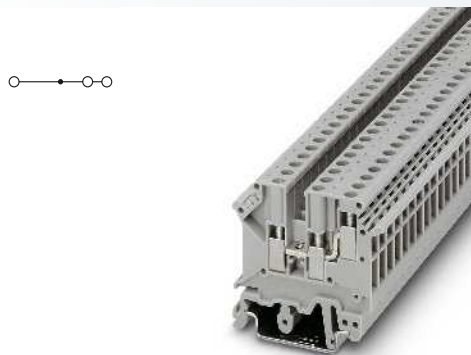
Technical data			
Width	Length	Height NS 35/7,5	
5.2	50.5	47	
Width	Length	Height NS 32	
5.2	50.5	52	
I _{max} [A]	U _{max} [V]	max. Ø [mm ²]	AWG
24 ¹⁾	400	0.2 - 2.5	24 - 14
IEC 60947-7-1			
IEC	UL/CUL	CSA	IEC/EN 60079-7
400	300	300	-
24 / 2.5	20 / -	20 / -	-
2.5	-	-	-
24 - 14	30-12	28-12	-
Connection capacity continuity			
solid	stranded	Ferrule	
		Without / with plastic sleeve	
0.2 - 2.5	0.2 - 2.5	0.25 - 1.5	0.25 - 1
0.2 - 0.5	0.2 - 0.5	0.25 - 0.5	-
		0.5 - 0.75	
2.5	2.5		
Connection capacity pick-off			
solid	stranded	Ferrule	
		Without / with plastic sleeve	
-	-	-	-
-	-	-	-
General data			
8 / -			
M3 / 0.5 - 0.6			
- / -			
PA			
V0			

Description	No. of pos.	Color
Terminal block, with universal foot for reversible mounting on NS 32... or NS 35...		gray
		blue

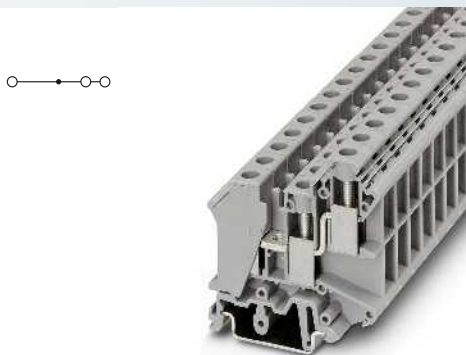
Ordering data			
Type	I _{max}	Order No.	Pcs. / Pkt.
UK 3-TWIN		3002225	50
UK 3-TWIN BU		3002416	50

Accessories		
Cover, width 2 mm		gray blue
Fixed bridge, insulated		blue
Insertion bridge, insulated	10	silver
	2	gray
	3	gray
	10	gray
Separating disk, for separation of neighboring bridges, can be fitted later, no loss of pitch		gray
Test socket		silver
Test socket, insulated, can be used only with FBI and ISSBI		silver
Screwdriver		
Lateral groove labeling		

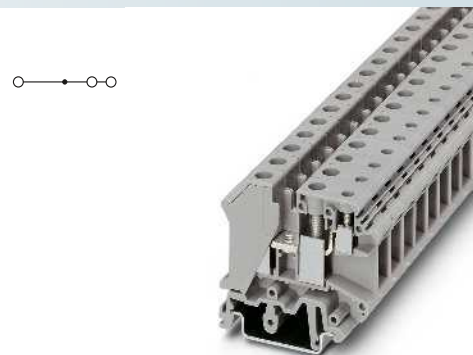
Accessories			
D-UK 5-TWIN		1923034	50
D-UK 5-TWIN BU		1923050	50
FBR1 10-5 N	24 A	2770642	10
EBL 2- 5	24 A	2303145	10
EBL 3- 5	24 A	2303158	10
EBL 10- 5	24 A	2303132	10
TS-K		1302215	50
PSB 3/10/4		0601292	10
PSBJ 3/13/4		0201304	10
SF-SL 0,6X3,5-100 S-VDE		1212587	10
ZB 5 (see Catalog 5)			



4 (4) mm², 32 A, feed-through terminal block, 3 connections



10 (16) mm², 76 A, feed-through terminal block, 3 connections



10 (16) mm², 76 A, feed-through terminal block, with tap

UL US CE KEMA KEUR BL ClassNK CCA

Ex: Ex Ex Ex Ex Ex Ex
KEMA 00ATEX2100 U

UL US CE KEMA KEUR CCA

UL US CE KEMA KEUR CCA

Technical data			
Width	Length	Height NS 35/7,5	
6.2	50.5	47	
Width	Length	Height NS 32	
6.2	50.5	52	
I _{max} [A]	U _{max} [V]	max. Ø [mm ²]	AWG
32(1)	500	0.2 - 4	24 - 12
IEC 60947-7-1			
IEC	UL/CUL	CSA	IEC/EN 60079-7
500	300	300	275
32 / 4	30 / -	30 / -	-
4	-	-	-
24 - 12	30-10	22-10	24 - 12
solid	stranded	Ferrule	
Without / with plastic sleeve			
0.2 - 4	0.2 - 4	0.25 - 4	0.25 - 2.5
0.2 - 1.5	0.2 - 1.5	0.25 - 1.5	-
			0.5 - 1.5
4	4	Ferrule	
solid	stranded	Without / with plastic sleeve	
-	-	-	-
-	-	-	-
8 / -			
M3 / 0.6 - 0.8			
- / -			
PA			
V2			

Technical data			
Width	Length	Height NS 35/7,5	
10.2	56.5	59	
Width	Length	Height NS 32	
10.2	56.5	64	
I _{max} [A]	U _{max} [V]	max. Ø [mm ²]	AWG
76(1)	800	0.5 - 16	20 - 6
IEC 60947-7-1			
IEC	UL/CUL	CSA	IEC/EN 60079-7
800	300	600	-
57 / 10	65 / -	65 / -	-
10	-	-	-
20 - 6	24-6	24-6	-
solid	stranded	Ferrule	
Without / with plastic sleeve			
0.5 - 16	0.5 - 10	0.5 - 10	0.5 - 6
0.5 - 4	0.5 - 4	0.5 - 2.5	-
			0.5 - 4
solid	stranded	Ferrule	
Without / with plastic sleeve			
-	-	-	-
-	-	-	-
11 / -			
M4 / 1.5 - 1.8			
- / -			
PA			
V0			

Technical data			
Width	Length	Height NS 35/7,5	
10.2	53	47	
Width	Length	Height NS 32	
10.2	53	52	
I _{max} [A]	U _{max} [V]	max. Ø [mm ²]	AWG
76(2)	800	0.5 - 16	20 - 6
IEC 60947-7-1			
IEC	UL/CUL	CSA	IEC/EN 60079-7
800	600	600	-
57(1) / 10	65 / -	20	-
10	-	-	-
20 - 6	24-6	28-12	-
solid	stranded	Ferrule	
Without / with plastic sleeve			
0.5 - 16	0.5 - 10	0.5 - 10	0.5 - 6
0.5 - 4	0.5 - 4	0.5 - 2.5	-
			0.5 - 4
solid	stranded	Ferrule	
Without / with plastic sleeve			
0.2 - 6	0.2 - 4	0.25 - 4	0.25 - 4
0.2 - 1.5	0.2 - 1.5	0.25 - 1.5	-
			0.5 - 1.5
11 / 7			
M4 / 1.5 - 1.8			
M3 / 0.6 - 0.8			
PA			
V0			

Ordering data			
Type	I _{max}	Order No.	Pcs. / Pkt.
UK 5-TWIN		1923021	50
UK 5-TWIN BU		1923047	50

Ordering data			
Type	I _{max}	Order No.	Pcs. / Pkt.
UK 10-TWIN		3005196	50
UK 10-TWIN BU		3005235	50

Ordering data			
Type	I _{max}	Order No.	Pcs. / Pkt.
UK 10-PLUS		3001381	50
UK 10-PLUS BU		3001475	50

Accessories			
D-UK 5-TWIN		1923034	50
D-UK 5-TWIN BU		1923050	50
FBI 10- 6	32 A	0203250	10
EB 2- 6	32 A	0201155	100
EB 3- 6	32 A	0201142	100
EB 10- 6	32 A	0201139	10
TS-K		1302215	50
PSB 3/10/4		0601292	10
PSBJ 3/13/4		0201304	10
SF-SL 0,6X3,5-100 S-VDE		1212587	10
ZB 6 (see Catalog 5)			

Accessories			
FBI 10-10	76 A	0203276	10
TS-KK 3		2770215	50
PSB 4/7/6		0303299	10
PSBJ 4/15/6 RD		0303325	10
SZS 1,0X4,0 VDE		1205066	10
ZB 10 (see Catalog 5)			

Accessories			
FBI 10-10	76 A	0203276	10
TS-KK 3		2770215	50
PSB 4/7/6		0303299	10
PSBJ 4/15/6 RD		0303325	10
SZS 1,0X4,0 VDE		1205066	10
ZB 10 (see Catalog 5)			

Modular terminal blocks

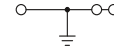
UK universal modular terminal blocks

UK...-TWIN-PE and UK 10-PLUS-PE ground terminal blocks with 3 connections



- Same shape and pitch as the feed-through terminal blocks
- Universal ground conductor foot for mounting on NS 35...- or NS 32... DIN rails (with the exception of NS 35/15-2,3)
- LB ... and ISSBI 10-6 bridges can be attached to the neighboring UK, UK-TWIN, and UK-PLUS versions with bridging facility thanks to the housing cut-outs in the ground terminal blocks

Notes:
For current carrying capacity of DIN rails, see page 716.
1) The total current of all connected conductors must not exceed the max. load current.
2) Tap: 41 A / 6 mm ²



2.5 (2.5) mm², ground terminal block, 3 connections



Dimensions		[mm]	
Dimensions			
Max. electrical data			
Rated data		[mm ²]	
Rated voltage	[V]	-	-
Nominal current / cross section	[A] / [mm ²]	-	- / -
Rated cross section	[mm ²]	2.5	-
Cross section range	AWG	24 - 14	30-12
Connection capacity continuity		solid	stranded
1 conductor	[mm ²]	0.2 - 2.5	0.2 - 2.5
Two conductors (of the same type)	[mm ²]	0.2 - 0.5	0.2 - 0.5
Two stranded conductors with a TWIN ferrule	[mm ²]		
Connection capacity pick-off		solid	stranded
1 conductor	[mm ²]	-	-
Two conductors (of the same type)	[mm ²]	-	-
Two conductors with a TWIN ferrule	[mm ²]	-	-
General data			
Stripping length: continuity / pick-off	[mm]	8 / -	
Continuity: thread / torque		M3 / 0.5 - 0.6	
Pick-off: thread / torque		- / -	
Insulating material		PA	
Inflammability class according to UL 94		V0	

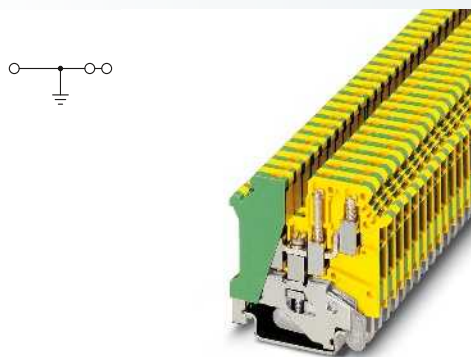
Technical data			
Width	Length	Height NS 35/7,5	
5.2	50.5	47	
Width	Length	Height NS 32	
5.2	50.5	52	
		max. Ø [mm ²]	AWG
		0.2 - 2.5	24 - 14
IEC 60947-7-2			
IEC	UL/CUL	CSA	IEC/EN 60079-7
-	-	-	-
-	- / -	-	-
2.5	-	-	-
24 - 14	30-12	-	-
Connection capacity continuity		Ferrule	
		Without / with plastic sleeve	
1 conductor	[mm ²]	0.2 - 2.5	0.25 - 1.5 0.25 - 1
Two conductors (of the same type)	[mm ²]	0.2 - 0.5	0.25 - 0.5 -
Two stranded conductors with a TWIN ferrule	[mm ²]		0.5 - 0.75
Connection capacity pick-off		Ferrule	
		Without / with plastic sleeve	
1 conductor	[mm ²]	-	-
Two conductors (of the same type)	[mm ²]	-	-
Two conductors with a TWIN ferrule	[mm ²]	-	-
General data			
Stripping length: continuity / pick-off	[mm]	8 / -	
Continuity: thread / torque		M3 / 0.5 - 0.6	
Pick-off: thread / torque		- / -	
Insulating material		PA	
Inflammability class according to UL 94		V0	

Description	Color
Ground terminal block, for mounting on NS 32... or NS 35...	green-yellow

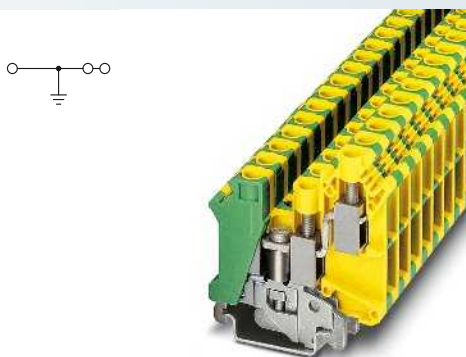
Ordering data		
Type	Order No.	Pcs. / Pkt.
UK 3-TWIN-PE	1923128	50

Screwdriver
Lateral groove labeling

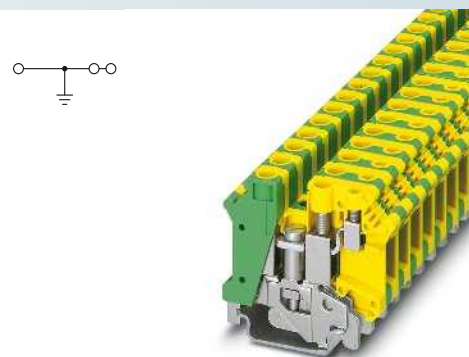
Accessories		
SF-SL 0,6X3,5-100 S-VDE	1212587	10
ZB 5 (see Catalog 5)		



4 (4) mm², ground terminal block, 3 connections



10 (16) mm², 76 A, ground terminal block, 3 connections



10 (16) mm², 76 A, ground terminal block, with tap and PE foot

UL US PC KEMA CE ClassNK CCA

UL US PC KEMA CE CCA

UL US PC KEMA CE

Technical data			
Width	Length	Height NS 35/7,5	
6.2	50.5	47	
Width	Length	Height NS 32	
6.2	50.5	52	
		max. Ø [mm ²]	AWG
		0.2 - 4	24 - 12
IEC 60947-7-2			
IEC	UL/CUL	CSA	IEC/EN 60079-7
-	-	-	-
-	-/-	-	-
4	-	-	-
24 - 12	30-10	-	-
solid	stranded	Ferrule	
		Without / with plastic sleeve	
0.2 - 4	0.2 - 4	0.25 - 4	0.25 - 2.5
0.2 - 1.5	0.2 - 1.5	0.25 - 1.5	-
		0.5 - 1.5	
solid	stranded	Ferrule	
		Without / with plastic sleeve	
-	-	-	-
-	-	-	-
8 / -			
M3 / 0.6 - 0.8			
- / -			
PA			
V2			

Technical data			
Width	Length	Height NS 35/7,5	
10.2	56.5	59	
Width	Length	Height NS 32	
10.2	56.5	64	
		max. Ø [mm ²]	AWG
		0.5 - 16	20 - 6
IEC 60947-7-2			
IEC	UL/CUL	CSA	IEC/EN 60079-7
-	-	-	-
57 / 10	- / -	-	-
10	-	-	-
20 - 6	24-6	24-6	-
solid	stranded	Ferrule	
		Without / with plastic sleeve	
0.5 - 16	0.5 - 10	0.5 - 10	0.5 - 6
0.5 - 4	0.5 - 4	0.5 - 2.5	-
		0.5 - 4	
solid	stranded	Ferrule	
		Without / with plastic sleeve	
-	-	-	-
-	-	-	-
11 / -			
M4 / 1.5 - 1.8			
- / -			
PA			
V0			

Technical data			
Width	Length	Height NS 35/7,5	
10.2	53	47	
Width	Length	Height NS 32	
10.2	53	52	
		max. Ø [mm ²]	AWG
		0.5 - 16	20 - 6
IEC 60947-7-2			
IEC	UL/CUL	CSA	IEC/EN 60079-7
-	-	-	-
57 ¹⁾ / 10	- / -	-	-
10	-	-	-
20 - 6	24-6	28-12	-
solid	stranded	Ferrule	
		Without / with plastic sleeve	
0.5 - 16	0.5 - 10	0.5 - 10	0.5 - 6
0.5 - 4	0.5 - 4	0.5 - 6	-
		0.5 - 6	
solid	stranded	Ferrule	
		Without / with plastic sleeve	
0.2 - 6	0.2 - 4	0.25 - 4	0.25 - 4
0.2 - 1.5	0.2 - 1.5	0.25 - 1.5	-
		0.5 - 1.5	
11 / 7			
M4 / 1.5 - 1.8			
M3 / 0.6 - 0.8			
PA			
V0			

Ordering data		
Type	Order No.	Pcs. / Pkt.
UK 5-TWIN-PE	1923076	50

Ordering data		
Type	Order No.	Pcs. / Pkt.
UK 10-TWIN-PE	3001433	50

Ordering data		
Type	Order No.	Pcs. / Pkt.
UK 10-PLUS-PE	3001420	50

Accessories		
SF-SL 0,6X3,5-100 S-VDE	1212587	10
ZB 6 (see Catalog 5)		

Accessories		
SZS 1,0X4,0 VDE	1205066	10
ZB 10 (see Catalog 5)		

Accessories		
SZS 1,0X4,0 VDE	1205066	10
ZB 10 (see Catalog 5)		

Modular terminal blocks

UK universal modular terminal blocks

UDK ... feed-through and PE terminal blocks with 4 connections

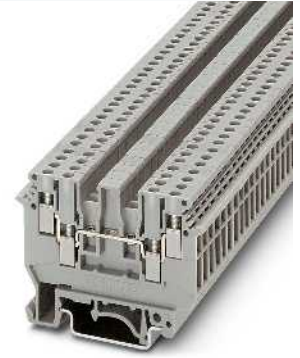
- Two connection points on each side to accommodate several conductors
- Double bridge shaft enables individual potential distribution and supply
- Design width of 5.2 mm or 6.2 mm
- UDK 3 and UDK 4 are the same shape

UDK ...-PE ground terminal block

- Same shape and pitch as the feed-through terminal blocks
- The ISSBI 10-6 bridge can be attached to the neighboring UDK 4 versions with bridging facility thanks to the housing cut-outs in the ground terminal blocks
- Universal ground conductor foot for mounting on NS 35...- or NS 32... DIN rails (with the exception of NS 35/15-2, 3)

CLIP PROJECT Planning enables the quick and convenient planning and configuration of fault-free terminal strips.

Notes:
For current carrying capacity of DIN rails, see page 716.
1) The total current of all connected conductors must not exceed the max. load current.



2.5 (4) mm², 32 A, feed-through terminal block, 4 connections



Dimensions	
Dimensions	[mm]
Max. electrical data	
Rated data	
Rated voltage	[V]
Nominal current / cross section	[A] / [mm ²]
Rated cross section	[mm ²]
Cross section range	AWG
Connection capacity	
1 conductor	[mm ²]
Two conductors (of the same type)	[mm ²]
Two stranded conductors with a TWIN ferrule	[mm ²]
Max. cross section with insertion bridge	[mm ²]
General data	
Stripping length	[mm]
Terminal point: thread / torque	- / [Nm]
Mounting: thread / torque	- / [Nm]
Insulating material	PA
Inflammability class according to UL 94	V2

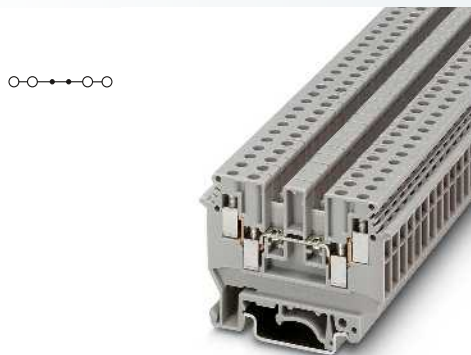
Technical data			
Width	Length	Height NS 35/7,5	
5.2	63.5	47	
Width	Length	Height NS 32	
5.2	63.5	52.5	
I _{max} [A]	U _{max} [V]	max. Ø [mm ²]	AWG
32 ¹⁾	500	0.2 - 4	24 - 12
IEC 60947-7-1	IEC	UL/CUL	CSA
			IEC/EN 60079-7
Rated voltage	300	300	-
Nominal current / cross section	24 / 2.5	20 / -	20 / -
Rated cross section	2.5	-	-
Cross section range	24 - 12	30-12	28-12
Connection capacity		Ferrule	
		Without / with plastic sleeve	
1 conductor	0.2 - 4	0.2 - 2.5	0.25 - 2.5 0.25 - 1.5
Two conductors (of the same type)	0.2 - 1	0.2 - 1.5	0.25 - 1.5 -
Two stranded conductors with a TWIN ferrule			0.5 - 1
Max. cross section with insertion bridge	2.5	2.5	
Stripping length	8		
Terminal point: thread / torque	M3 / 0.5 - 0.6		
Mounting: thread / torque	- / -		
Insulating material	PA		
Inflammability class according to UL 94	V2		

Description	No. of pos.	Color
Terminal block, for mounting on NS 32... or NS 35...		gray
		blue
Ground terminal block, for mounting on NS 32... or NS 35...		green-yellow

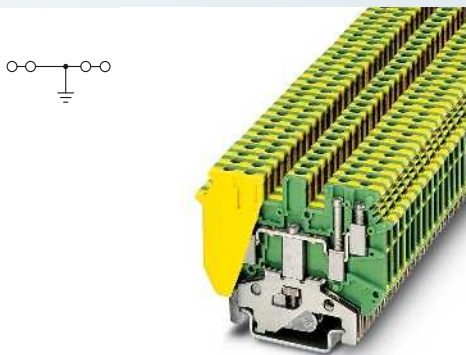
Ordering data			
Type	I _{max}	Order No.	Pcs. / Pkt.
UDK 3		2775375	50
UDK 3 BU		2718277	50

Accessories		
Cover, width 1.5 mm		gray blue
Fixed bridge, for cross connections in the terminal center, screw heads with insulation collar		
	2	silver
	3	silver
	4	silver
	10	silver
Insertion bridge, insulated		gray
	2	gray
	3	gray
	10	gray
Switch bar for 2 terminal blocks, complete, to increase insulation an end cover must be interposed		
	2	silver
Isolator bridge bar, divisible, with 10 screws, for switchable branches with IS-K...		
	10	silver
Bridge bar isolator, as distance piece for isolator bridge bar		gray
Separating disk, for separation of neighboring bridges, can be fitted later, no loss of pitch		gray
Screwdriver		
Lateral groove labeling		

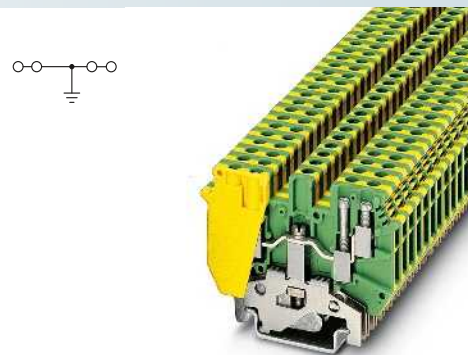
Accessories			
Type	I _{max}	Order No.	Pcs. / Pkt.
D-UDK 4		2775113	50
D-UDK 4 BU		2775197	50
FBRI 2-5 N	26 A	3000227	10
FBRI 3-5 N	26 A	3000201	10
FBRI 4-5 N	26 A	3000191	10
FBRI 10-5 N	26 A	2770642	10
EBL 2-5	26 A	2303145	10
EBL 3-5	26 A	2303158	10
EBL 10-5	26 A	2303132	10
TS-KK 3		2770215	50
SF-SL 0,6X3,5-100 S-VDE		1212587	10
ZB 5 (see Catalog 5)			



4 (6) mm², 32 A, feed-through terminal block, 4 connections



2.5 (4) mm², ground terminal block, 4 connections



4 (6) mm², ground terminal block, 4 connections



Technical data			
Width	Length	Height NS 35/7,5	
6.2	63.5	47	
Width	Length	Height NS 32	
6.2	63.5	52.5	
I_{max} [A]	U_{max} [V]	max. Ø [mm ²]	AWG
32(1)	630	0.2 - 6	24 - 10
IEC 60947-7-1			
IEC	UL/CUL	CSA	IEC/EN 60079-7
630	600	600	-
32 / 4	30 / -	25 / -	-
4	-	-	-
24 - 10	30-10	22-10	-
solid	stranded	Ferrule	
		Without / with plastic sleeve	
0.2 - 6	0.2 - 4	0.25 - 4	0.25 - 1.5
0.2 - 1	0.2 - 1.5	0.25 - 1.5	-
			0.5 - 1
2.5	2.5		
8			
M3 / 0.5 - 0.6			
- / -			
PA			
V2			

Technical data			
Width	Length	Height NS 35/7,5	
5.2	63.5	47	
Width	Length	Height NS 32	
5.2	63.5	52.5	
		max. Ø [mm ²]	AWG
		0.2 - 4	24 - 12
IEC 60947-7-2			
IEC	UL/CUL	CSA	IEC/EN 60079-7
-	-	-	-
-	- / -	-	-
2.5	-	-	-
24 - 12	30-12	-	-
solid	stranded	Ferrule	
		Without / with plastic sleeve	
0.2 - 4	0.2 - 2.5	0.25 - 2.5	0.25 - 1.5
0.2 - 1	0.2 - 1.5	0.25 - 1.5	-
			0.5 - 1
8			
M3 / 0.5 - 0.6			
M2,5 / 0.5 - 0.6			
PA			
V2			

Technical data			
Width	Length	Height NS 35/7,5	
6.2	63.5	47	
Width	Length	Height NS 32	
6.2	63.5	52.5	
		max. Ø [mm ²]	AWG
		0.2 - 6	24 - 10
IEC 60947-7-2			
IEC	UL/CUL	CSA	IEC/EN 60079-7
-	-	-	-
-	- / -	-	-
4	-	-	-
24 - 10	22-10	22-10	-
solid	stranded	Ferrule	
		Without / with plastic sleeve	
0.2 - 6	0.2 - 4	0.25 - 4	0.25 - 1.5
0.2 - 1	0.2 - 1.5	0.25 - 1.5	-
			0.5 - 1
8			
M3 / 0.5 - 0.6			
M3 / 0.6 - 0.8			
PA			
V2			

Ordering data			
Type	I_{max}	Order No.	Pcs. / Pkt.
UDK 4		2775016	50
UDK 4 BU		2775090	50

Ordering data			
Type	Order No.	Pcs. / Pkt.	
UDK 3-PE	2775456	50	

Ordering data			
Type	Order No.	Pcs. / Pkt.	
UDK 4-PE	2775184	50	

Accessories			
D-UDK 4		2775113	50
D-UDK 4 BU		2775197	50
FBI 10- 6	32 A	0203250	10
EB 2- 6	26 A	0201155	100
EB 3- 6	26 A	0201142	100
EB 10- 6	26 A	0201139	10
USBR 2-7	24 A	2303239	1
ISSBI 10- 6	32 A	0301505	10
IS-K 4		1302338	100
TS-KK 3		2770215	50
SF-SL 0,6X3,5-100 S-VDE		1212587	10
ZB 6 (see Catalog 5)			

Accessories			
SF-SL 0,6X3,5-100 S-VDE		1212587	10
ZB 5 (see Catalog 5)			

Accessories			
SF-SL 0,6X3,5-100 S-VDE		1212587	10
ZB 6 (see Catalog 5)			

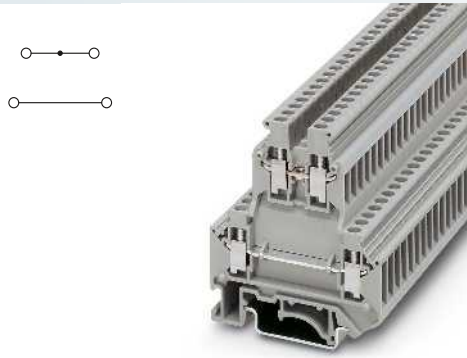
Modular terminal blocks

UK universal modular terminal blocks

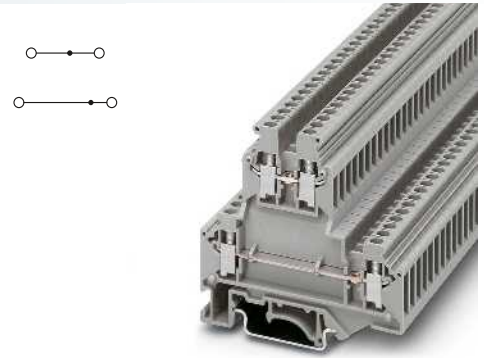
UKK ... double-level terminal blocks

- Compact double-level terminal blocks in nominal cross sections of 2.5 and 4 mm²
- One or two bridge shafts
- Large labeling option
- Even if fully wired, the level offset offers unobstructed access to the lower connection level

Notes:
 1) The total current of all connected conductors must not exceed the max. load current.



2.5 (4) mm², 32 A, double-level terminal block



2.5 (4) mm², 32 A, double-level terminal block, both levels can be bridged



Dimensions		[mm]
Dimensions		[mm]
Max. electrical data		
Rated data		
Rated voltage	[V]	500
Nominal current / cross section	[A] / [mm ²]	24 / 2.5
Rated cross section	[mm ²]	2.5
Cross section range	AWG	24 - 12
Connection capacity		
1 conductor	[mm ²]	0.2 - 4
Two conductors (of the same type)	[mm ²]	0.2 - 1
Two stranded conductors with a TWIN ferrule	[mm ²]	0.2 - 1.5
Max. cross section with insertion bridge	[mm ²]	2.5
General data		
Stripping length	[mm]	8
Screw thread		M3
Tightening torque	[Nm]	0.5 - 0.6
Insulating material		PA
Inflammability class according to UL 94		V0

Technical data			
Width	Length	Height NS 35/7,5	
5.2	56	62	
Width	Length	Height NS 32	
5.2	56	67	
I _{max} [A]	U _{max} [V]	max. Ø [mm ²]	AWG
32	500	0.2 - 4	24 - 12
IEC 60947-7-1			
IEC	UL/CUL	CSA	IEC/EN 60079-7
500	600	600	-
24 / 2.5	20 / -	25 / -	-
2.5	-	-	-
24 - 12	28-12	28-12	-
Connection capacity		Ferrule	
		Without / with plastic sleeve	
0.2 - 4	0.2 - 2.5	0.25 - 2.5 0.25 - 1.5	
0.2 - 1	0.2 - 1.5	0.25 - 1.5 -	
2.5	2.5	0.5 - 1	

Technical data			
Width	Length	Height NS 35/7,5	
5.2	67	62	
Width	Length	Height NS 32	
5.2	67	67	
I _{max} [A]	U _{max} [V]	max. Ø [mm ²]	AWG
32	500	0.2 - 4	24 - 12
IEC 60947-7-1			
IEC	UL/CUL	CSA	IEC/EN 60079-7
500	600	600	-
24 / 2.5	20 / -	25 / -	-
2.5	-	-	-
24 - 12	28-12	28-12	-
Connection capacity		Ferrule	
		Without / with plastic sleeve	
0.2 - 4	0.2 - 2.5	0.25 - 2.5 0.25 - 1.5	
0.2 - 1	0.2 - 1.5	0.25 - 1.5 -	
2.5	2.5	0.5 - 1	

Description	No. of pos.	Color
Double-level terminal block, for mounting on NS 35... and NS 32...		gray
		blue
Double-level terminal block, for mounting on NS 35... and NS 32..., with equipotential bonding between the levels ¹⁾		gray

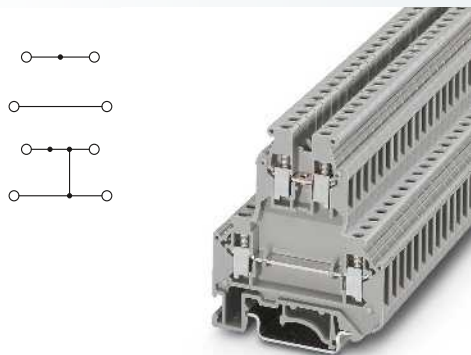
Ordering data			
Type	I _{max}	Order No.	Pcs. / Pkt.
UKK 3		2770011	50
UKK 3 BU		2770095	50

Ordering data			
Type	I _{max}	Order No.	Pcs. / Pkt.
UKKB 3		2771010	50
UKKB 3 BU		2771094	50

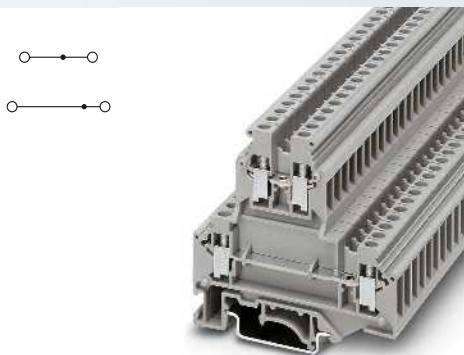
Accessories	
Cover, width 2.5 mm	gray
	blue
Spacer plate, compensates for level offsets, width 2.5 mm	gray
Fixed bridge, insulated	
	2 silver
	3 silver
	4 silver
	10 silver
Insertion bridge, insulated	
	2 gray
	3 gray
	10 gray
Isolator bridge bar, divisible, with 10 screws, for switchable branches with IS-K...	10 silver
Bridge bar isolator, as distance piece for isolator bridge bar	gray
Separating disk, for separation of neighboring bridges, can be fitted later, no loss of pitch	gray
Partition plate, 2.5 mm wide	gray
Screwdriver	
Lateral groove labeling	

Accessories			
Type	I _{max}	Order No.	Pcs. / Pkt.
D-UKK 3/5		2770024	50
D-UKK 3/5 BU		2770105	50
DP-UKK 3/5		2770794	50
FBRNI 2-5 N	28 A	3000175	10
FBRNI 3-5 N	28 A	3000162	10
FBRNI 4-5 N	28 A	3000159	10
FBRNI 10-5 N	28 A	2770639	10
EBL 10- 5	22 A	2303132	10
TS-KK 3		2770215	50
ATP-UKK 3/5		2778521	50
SF-SL 0,6X3,5-100 S-VDE		1212587	10
ZB 5 (see Catalog 5)			

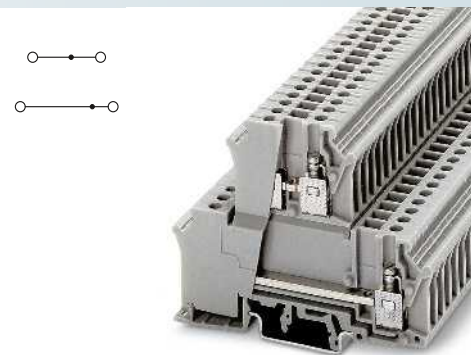
Accessories			
Type	I _{max}	Order No.	Pcs. / Pkt.
D-UKKB 3/5		2771023	50
D-UKKB 3/5 BU		2771104	50
DP-UKKB 3/ 5		2770804	50
FBRNI 2-5 N	28 A	3000175	10
FBRNI 3-5 N	28 A	3000162	10
FBRNI 4-5 N	28 A	3000159	10
FBRNI 10-5 N	28 A	2770639	10
EBL 10- 5	22 A	2303132	10
TS-KK 3		2770215	50
ATP-UKKB 3		2771065	50
SF-SL 0,6X3,5-100 S-VDE		1212587	10
ZB 5 (see Catalog 5)			



4 (4) mm², 32 A, double-level terminal block



4 (4) mm², 32 A, double-level terminal block, both levels can be bridged



4 (4) mm², 32 A, 800 V, double-level terminal block, both levels can be bridged

UL US PC KEBA CE CCC CCA

UL US PC KEBA CE CCC ClassNK CCA

UL US PC KEBA CE CCC CCA
Ex: Ex
KEMA 00ATEX2100 U

Technical data			
Width	Length	Height NS 35/7,5	
6.2	56	62	
Width	Length	Height NS 32	
6.2	56	67	
I_{max} [A]	U_{max} [V]	max. Ø [mm ²]	AWG
32	500	0.2 - 4	24 - 12
IEC 60947-7-1			
IEC	UL/CUL	CSA	IEC/EN 60079-7
500	600	300	-
32 / 4	30 / -	25 / -	-
4	-	-	-
24 - 12	26-10	28-10	-
solid	stranded	Ferrule	
		Without / with plastic sleeve	
0.2 - 4	0.2 - 4	0.25 - 4	0.25 - 2.5
0.2 - 1.5	0.2 - 1.5	0.25 - 1.5	-
			0.5 - 1.5
4	2.5		
8			
M3			
0.6 - 0.8			
PA			
V0			

Technical data			
Width	Length	Height NS 35/7,5	
6.2	67	62	
Width	Length	Height NS 32	
6.2	67	67	
I_{max} [A]	U_{max} [V]	max. Ø [mm ²]	AWG
32	500	0.2 - 4	24 - 12
IEC 60947-7-1			
IEC	UL/CUL	CSA	IEC/EN 60079-7
500	600	600	-
32 / 4	30 / -	25 / -	-
4	-	-	-
24 - 12	26-10	28-10	-
solid	stranded	Ferrule	
		Without / with plastic sleeve	
0.2 - 4	0.2 - 4	0.25 - 4	0.25 - 2.5
0.2 - 1.5	0.2 - 1.5	0.25 - 1.5	-
			0.5 - 1.5
4	2.5		
8			
M3			
0.6 - 0.8			
PA			
V0			

Technical data			
Width	Length	Height NS 35/7,5	
6.2	84.5	64	
Width	Length	Height NS 32	
6.2	84.5	69	
I_{max} [A]	U_{max} [V]	max. Ø [mm ²]	AWG
32	800	0.2 - 4	24 - 12
IEC 60947-7-1			
IEC	UL/CUL	CSA	IEC/EN 60079-7
800	600	-	750
32 / 4	20 / -	-	-
4	-	-	-
24 - 12	28-12	-	-
solid	stranded	Ferrule	
		Without / with plastic sleeve	
0.2 - 4	0.2 - 4	0.25 - 4	0.25 - 2.5
0.2 - 2.5	0.2 - 2.5	0.25 - 2.5	-
			0.5 - 1.5
4	2.5		
8			
M3			
0.6 - 0.8			
PA			
V2			

Ordering data			
Type	I_{max}	Order No.	Pcs. / Pkt.
UKK 5		2774017	50
UKK 5 BU		2774091	50
UKK 5-PV		2791388	50

Ordering data			
Type	I_{max}	Order No.	Pcs. / Pkt.
UKKB 5		2771146	50
UKKB 5 BU		3216053	50

Ordering data			
Type	I_{max}	Order No.	Pcs. / Pkt.
UXKK 4		2780014	50

Accessories			
D-UKK 3/5		2770024	50
D-UKK 3/5 BU		2770105	50
DP-UKK 3/5		2770794	50
FBI 10- 6	32 A	0203250	10
EB 2- 6	28 A	0201155	100
EB 3- 6	28 A	0201142	100
EB 10- 6	28 A	0201139	10
ISSBI 10- 6	24 A	0301505	10
IS-K 4		1302338	100
TS-KK 3		2770215	50
ATP-UKK 3/5		2778521	50
SF-SL 0,6X3,5-100 S-VDE		1212587	10

Accessories			
D-UKKB 3/5		2771023	50
D-UKKB 3/5 BU		2771104	50
DP-UKKB 3/ 5		2770804	50
FBI 10- 6	32 A	0203250	10
EB 2- 6	28 A	0201155	100
EB 3- 6	28 A	0201142	100
EB 10- 6	28 A	0201139	10
ISSBI 10- 6	24 A	0301505	10
IS-K 4		1302338	100
TS-KK 3		2770215	50
ATP-UKKB 3		2771065	50
SF-SL 0,6X3,5-100 S-VDE		1212587	10

Accessories			
FBI 10- 6	24 A	0203250	10

ZB 6 (see Catalog 5)

ZB 6 (see Catalog 5)

ZB 6 (see Catalog 5)

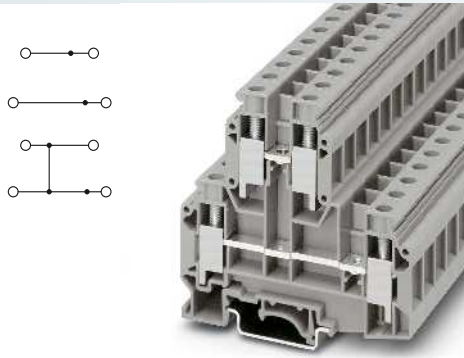
Modular terminal blocks

UK universal modular terminal blocks

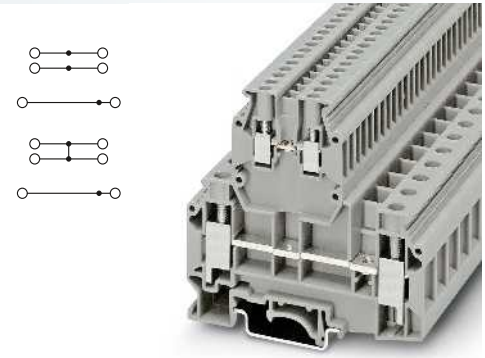
UKKB 10 ... double-level terminal blocks

- Can be bridged on both levels for all potential distribution tasks
- Design width of just 10.2 mm
- One of the special features of the UKKB 10/2,5 is that it allows two 2.5 mm² conductors to be connected in the upper level

Notes:
UKKB 10-PV: 70 A / 500 V
1) The total current of all connected conductors must not exceed the max. load current.



10 (16) mm², 76 A, double-level terminal block



10 (16) mm², 76 A, double-level terminal block, upper level with 2 x 2.5 mm² feed-through terminal blocks



Dimensions		[mm]
Dimensions		[mm]
Max. electrical data		
Rated data, lower level		
Rated voltage	[V]	500
Nominal current / cross section	[A] / [mm ²]	57 / 10
Rated cross section	[mm ²]	10
Cross section range	AWG	20 - 6
Connection capacity, lower level		
1 conductor	[mm ²]	0.5 - 16
Two conductors (of the same type)	[mm ²]	0.5 - 6
Two stranded conductors with a TWIN ferrule	[mm ²]	0.5 - 4
Rated data, upper level		
Rated voltage	[V]	500
Nominal current / cross section	[A] / [mm ²]	57 / 10
Rated cross section	[mm ²]	10
Cross section range	AWG	20 - 6
Connection capacity, upper level		
1 conductor	[mm ²]	0.5 - 16
Two conductors (of the same type)	[mm ²]	0.5 - 6
Two conductors with a TWIN ferrule	[mm ²]	0.5 - 4
General data		
Stripping length, lower / upper level	[mm]	11 / 11
Thread, lower / upper level		M4 / M4
Tightening torque, lower / upper level	[Nm]	1.5 - 1.8 / 1.5 - 1.8
Insulating material		PA
Inflammability class according to UL 94		V0

Technical data				
Width	Length	Height NS 35/7,5		
10.2	77.5	73		
Width	Length	Height NS 32		
10.2	77.5	78		
I _{max} [A]	U _{max} [V]	max. Ø [mm ²]	AWG	
76	500	0.5 - 16	20 - 6	
IEC 60947-7-1	UL/CUL	CSA	IEC/EN 60079-7	
Rated voltage	600	300	-	
Nominal current / cross section	65 / -	65 / -	-	
Rated cross section	-	-	-	
Cross section range	24-6	24-6	-	
Connection capacity, lower level				
solid	stranded	Ferrule		
Without / with plastic sleeve				
1 conductor	0.5 - 10	0.5 - 10	0.5 - 6	
Two conductors (of the same type)	0.5 - 4	0.5 - 6	-	
Two stranded conductors with a TWIN ferrule			0.5 - 6	
IEC 60947-7-1	UL/CUL	CSA	IEC/EN 60079-7	
Rated voltage	600	300	-	
Nominal current / cross section	65 / -	65 / -	-	
Rated cross section	-	-	-	
Cross section range	24-6	24-6	-	
Connection capacity, upper level				
solid	stranded	Ferrule		
Without / with plastic sleeve				
1 conductor	0.5 - 10	0.5 - 10	0.5 - 6	
Two conductors (of the same type)	0.5 - 4	0.5 - 6	-	
Two conductors with a TWIN ferrule			0.5 - 6	
IEC 60947-7-1	UL/CUL	CSA	IEC/EN 60079-7	
Rated voltage	600	300	-	
Nominal current / cross section	20 / -	20 / -	-	
Rated cross section	-	-	-	
Cross section range	30-12	28-12	-	
Connection capacity, upper level				
solid	stranded	Ferrule		
Without / with plastic sleeve				
1 conductor	0.2 - 2.5	0.25 - 2.5	0.25 - 1.5	
Two conductors (of the same type)	0.2 - 1.5	0.25 - 1	-	
Two conductors with a TWIN ferrule			0.5 - 1.5	
IEC 60947-7-1	UL/CUL	CSA	IEC/EN 60079-7	
Rated voltage	600	300	-	
Nominal current / cross section	24 / 2.5	20 / -	-	
Rated cross section	10	-	-	
Cross section range	24 - 12	30 - 12	28 - 12	
General data				
Stripping length, lower / upper level	[mm]	11 / 11		
Thread, lower / upper level		M4 / M3		
Tightening torque, lower / upper level	[Nm]	1.5 - 1.8 / 0.6 - 0.8		
Insulating material		PA		
Inflammability class according to UL 94		V0		

Description	No. of pos.	Color
Terminal block, for mounting on NS 32... or NS 35...		gray
Terminal block, with equipotential bond, for mounting on NS 32 ... or NS 35... ¹⁾		gray

Ordering data			
Type	I _{max}	Order No.	Pcs. / Pkt.
UKKB 10		2772077	50
UKKB 10-PV		3003567	50

Ordering data			
Type	I _{max}	Order No.	Pcs. / Pkt.
UKKB 10/2,5		2771007	50
UKKB 10/2,5-PV		2775485	50

Accessories		
Accessories		
Cover, width 1.5 mm	gray	
Fixed bridge, insulated		
Fixed bridge, for cross connections in the terminal center, screw heads with insulating collar, divisible, with 10 screws	10	silver
Chain bridge, with screw		silver
Isolator bridge bar, divisible, with 10 screws, for switchable branches with IS-K...	10	silver
Bridge bar isolator, as distance piece for isolator bridge bar		gray
Screwdriver		

Accessories			
Accessories			
D-UKKB 10		3001394	50
FBI 10-10	70 A	0203276	10
KB- 10	70 A	0203205	100
ISSBI 10-10	38 A	0301521	10
IS-K 10		1303337	100
SZS 1,0X4,0 VDE		1205066	10

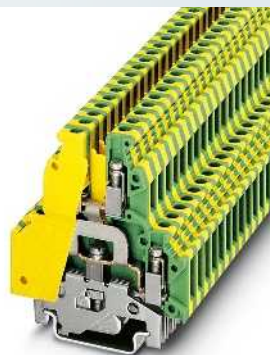
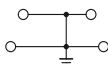
Accessories			
Accessories			
D-UKKB 10		3001394	50
FBRI 10-5 N	26 A	2770642	10
FBI 10-10	70 A	0203276	10
KB- 10	70 A	0203205	100
ISSBI 10-10	38 A	0301521	10
IS-K 10		1303337	100
SZS 1,0X4,0 VDE		1205066	10

Labeling for upper level	ZB 10 (see Catalog 5)
Labeling for lower level	ZB 10 (see Catalog 5)

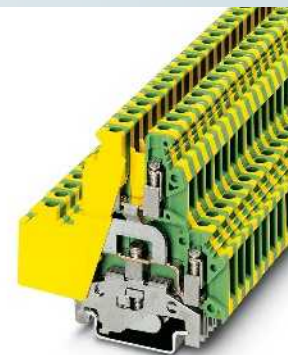
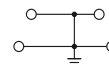
Labeling for upper level	ZB 5 (see Catalog 5)
Labeling for lower level	ZB 10 (see Catalog 5)

UKK 5-PE and UKKB 5-PE double-level ground terminal blocks

- Same shape and pitch as the feed-through terminal blocks
- Even if fully wired, the level offset offers unobstructed access to the lower connection level
- Universal ground conductor foot for mounting on NS 35...- or NS 32... DIN rails (with the exception of NS 35/15-2,3)



4 (4) mm², double-level ground terminal block



4 (4) mm², double-level ground terminal block

Notes:
For current carrying capacity of DIN rails, see page 716.



Technical data				
Dimensions	Width	Length	Height NS 35/7,5	
	6.2	56	62	
Dimensions	Width	Length	Height NS 32	
	6.2	56	67	
Max. electrical data			max. Ø [mm ²]	AWG
			0.2 - 4	24 - 12
Rated data	IEC 60947-7-2	UL/CUL	CSA	IEC/EN 60079-7
Rated voltage [V]	-	-	-	-
Nominal current / cross section [A] / [mm ²]	-	- / -	-	-
Rated cross section [mm ²]	4	-	-	-
Cross section range AWG	24 - 12	26-10	28-10	-
Connection capacity	solid	stranded	Ferrule Without / with plastic sleeve	
1 conductor [mm ²]	0.2 - 4	0.2 - 4	0.25 - 4	0.25 - 2.5
Two conductors (of the same type) [mm ²]	0.2 - 1.5	0.2 - 1.5	0.25 - 1.5	-
Two stranded conductors with a TWIN ferrule [mm ²]				0.5 - 1.5
General data				
Stripping length [mm]	8			
Screw thread	M3			
Tightening torque [Nm]	0.6 - 0.8			
Insulating material	PA			
Inflammability class according to UL 94	V2			

Technical data				
Dimensions	Width	Length	Height NS 35/7,5	
	6.2	67	62	
Dimensions	Width	Length	Height NS 32	
	6.2	67	67	
Max. electrical data			max. Ø [mm ²]	AWG
			0.2 - 4	24 - 12
Rated data	IEC 60947-7-2	UL/CUL	CSA	IEC/EN 60079-7
Rated voltage [V]	-	-	-	-
Nominal current / cross section [A] / [mm ²]	-	- / -	-	-
Rated cross section [mm ²]	4	-	-	-
Cross section range AWG	24 - 12	26-10	28-10	-
Connection capacity	solid	stranded	Ferrule Without / with plastic sleeve	
1 conductor [mm ²]	0.2 - 4	0.2 - 4	0.25 - 4	0.25 - 2.5
Two conductors (of the same type) [mm ²]	0.2 - 1.5	0.2 - 1.5	0.25 - 1.5	-
Two stranded conductors with a TWIN ferrule [mm ²]				0.5 - 1.5
General data				
Stripping length [mm]	8			
Screw thread	M3			
Tightening torque [Nm]	0.6 - 0.8			
Insulating material	PA			
Inflammability class according to UL 94	V2			

Ordering data		
Type	Order No.	Pcs. / Pkt.
UKK 5-PE	2774211	50

Ordering data		
Type	Order No.	Pcs. / Pkt.
UKKB 5-PE	3007123	50

Accessories		
SF-SL 0,6X3,5-100 S-VDE	1212587	10
ZB 6 (see Catalog 5)		

Accessories		
SF-SL 0,6X3,5-100 S-VDE	1212587	10
ZB 6 (see Catalog 5)		

Description	Color
Ground terminal block, for mounting on NS 32... or NS 35...	green-yellow

Screwdriver
Lateral groove labeling

Modular terminal blocks

UK universal modular terminal blocks

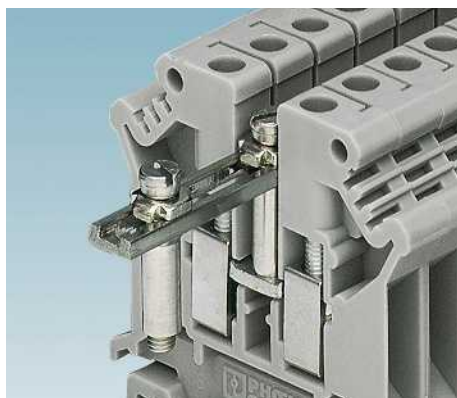
Cross-reference list: bridges

Type	Order No.	UK 2,5 N Page 493	UK 3 N Page 493	UK 5 N Page 493	UK 6 N Page 494	UK 10 N Page 495	UK 16 N Page 495	UK 35 N Page 495
Isolator bridge bar, in conjunction with bridge bar isolator								
ISSBI 10-5	3026256							
ISSBI 10-6	0301505							
ISSBI 10-8	0301534							
ISSBI 10-10	0301521							
Bridge bar isolator, in conjunction with isolator bridge bar								
IS-K 2,5	3026243							
IS-K 4	1302338							
IS-K 10	1303337							
Cross connection bar, in conjunction with distance piece								
FB 150	0201595							
Distance piece, in conjunction with cross connection bar								
ZS-6	0201605							
ZSR	2303608							
L-bridge, 10-pos.								
LB 10-6 GY	0202358							
LB 10-6 BU	0202280							
L-bridge, 100-pos.								
LB 100-6 GY	0202345							
LB 100-6 BU	0202303							
Chain bridge								
KB 6	0201472							
KB 8	0202206							
KB 10	0203205							
KB 15	0204259							

ISSBI ... isolator bridge bar



FB ... cross connection bar

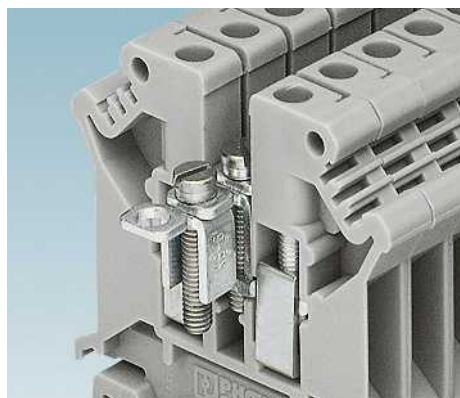


LB ... L-bridge



UK 3-TWIN Page 500	UK 5-TWIN Page 501	UK 10-TWIN Page 501	UDK 3 Page 504	UDK 4 Page 505	UKK 3 Page 506	UKKB 3 Page 506	UKK 5 Page 507	UKKB 5 Page 507	UKKB 10 Page 508
█			█		█	█			
	█			█			█	█	
		█							█
█			█		█	█			
	█			█			█	█	
		█							█
█	█		█	█			█	█	
	█			█			█	█	
█			█						
	█			█			█	█	
	█			█			█	█	
		█							█

KB ... chain bridge



Modular terminal blocks

UK universal modular terminal blocks

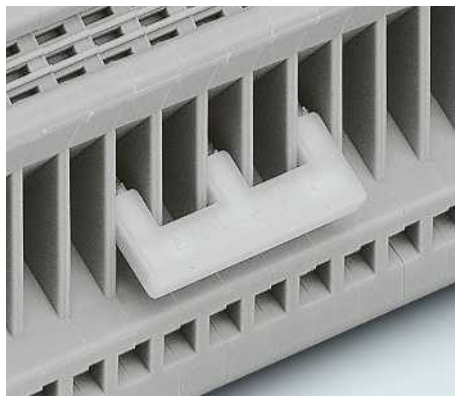
Cross-reference list: bridges

Type	Order No.	UK 2,5 N Page 493	UK 3 N Page 493	UK 5 N Page 493	UK 6 N Page 494	UK 10 N Page 495	UK 16 N Page 495	UK 35 N Page 495
Switching jumper across two terminal blocks								
USBR 2-7	2303239							
SB 2-8/13	0202235							
SB 2-10/15	0203234							
Switching jumper for bridged terminal groups								
USBRJ 2-7	2305538							
SBJ 2-8/13	0303286							
SBJ 2-10/15	0302287							
Star-delta bridge								
EB 3-6/ST	5020807							
EB 6-6/DR	5020255							
EB 3-8/ST	5020810							
EB 3-8/DR	5020768							
EB 3-10/ST	5020823							
EB 6-10/DR	5020771							
Step bracket								
STL 10N/5N	0204110							
Short-circuit plug								
KSS 5	2303543							
KSS 6	0301547							
KSS 3-6	0309523							
KSS 8	0311540							
KSS 10	0310541							

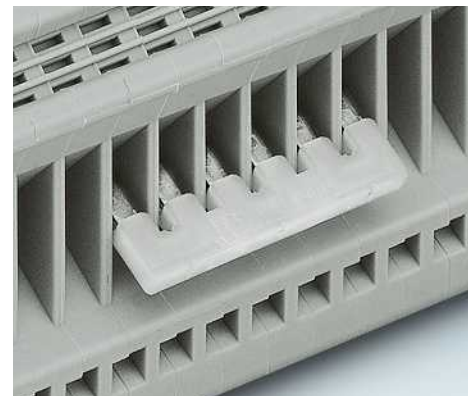
USBR ..., SB ... switching jumper



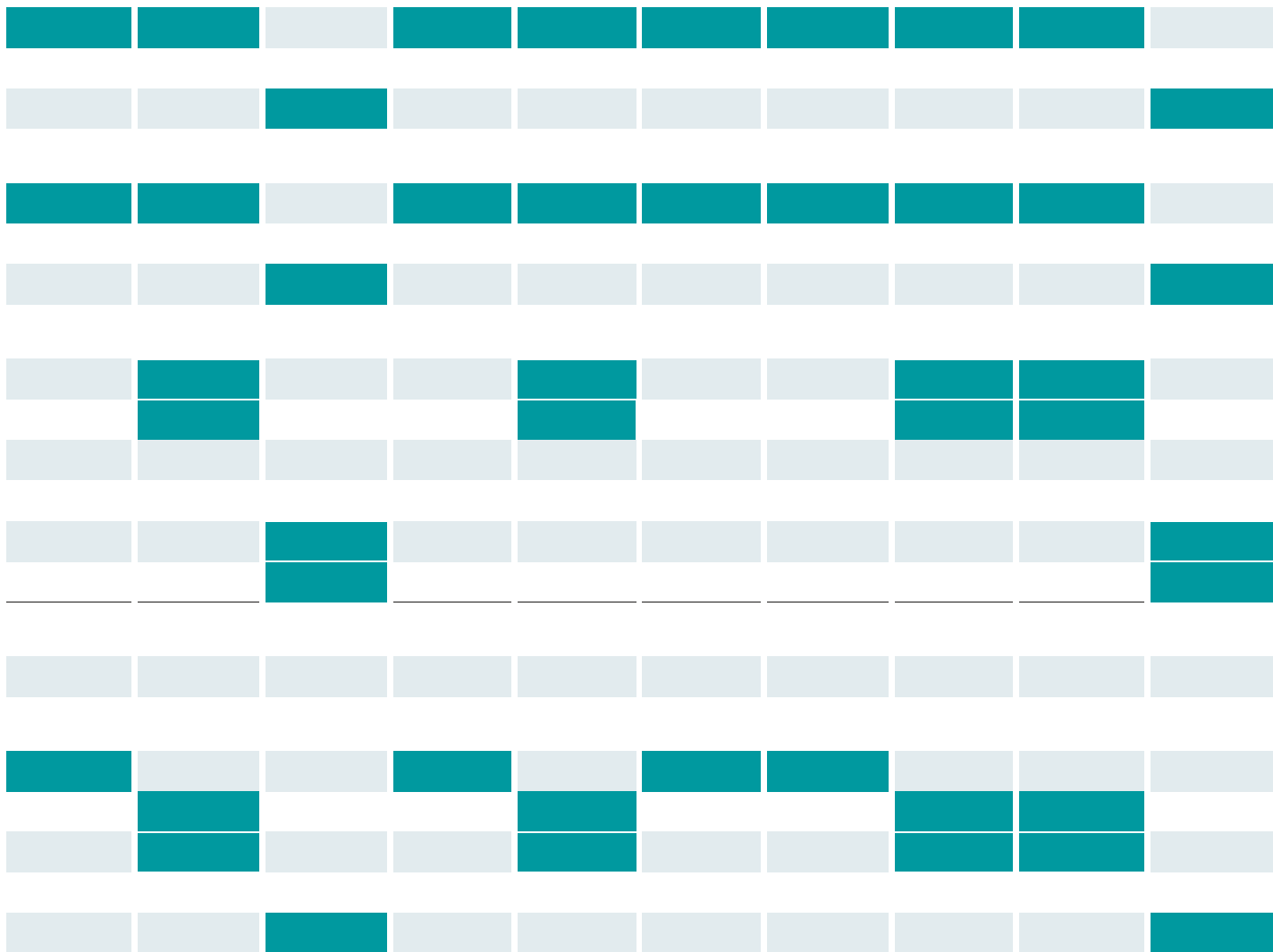
EB .../ST star bridge



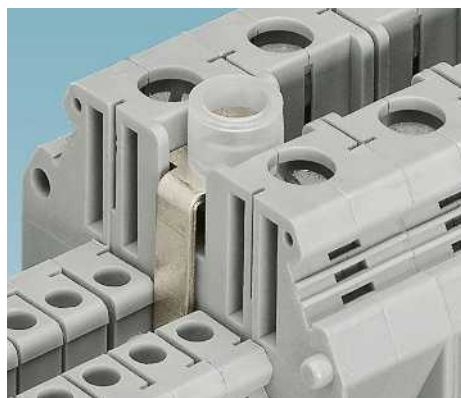
EB .../DR delta bridge



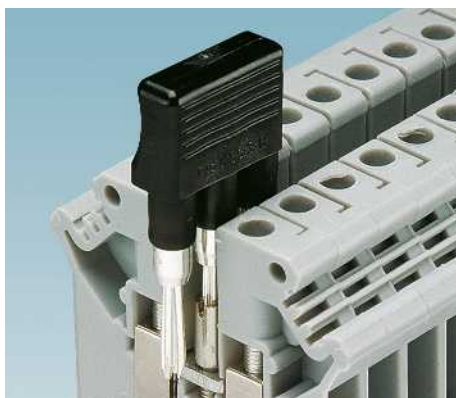
UK 3-TWIN Page 500	UK 5-TWIN Page 501	UK 10-TWIN Page 501	UDK 3 Page 504	UDK 4 Page 505	UKK 3 Page 506	UKKB 3 Page 506	UKK 5 Page 507	UKKB 5 Page 507	UKKB 10 Page 508
------------------------------	------------------------------	-------------------------------	--------------------------	--------------------------	--------------------------	---------------------------	--------------------------	---------------------------	----------------------------



STL ... step bracket



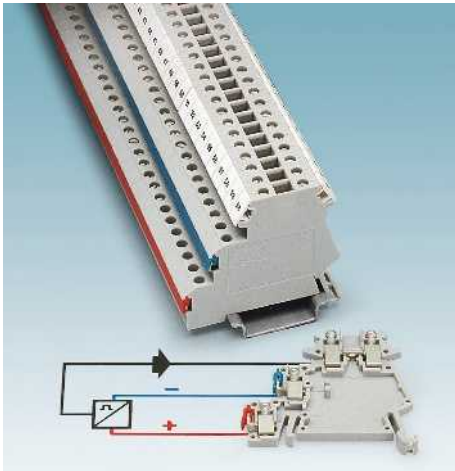
KSS ... short-circuit plug



Modular terminal blocks

UK universal modular terminal blocks

DIK 1,5 ... and DIKD 1,5 ... three-level and three-conductor initiator terminal blocks



The sensor and actuator conductors are wired in terminal boxes in order to reduce wiring costs. The positive and negative connections are grouped so that only the signal lines and one pair of conductors for the power supply need to be wired between the terminal box and the controller.

DIK 1,5

- The upper level accommodates the feed-through terminal blocks for the signal line which can be labeled
- The two bottom terminal points supply the initiator with potential
- The lower terminal points can be bridged using a divisible insertion bridge

DIKD 1,5

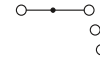
- The positive and negative potential can be fed into the insertion bridges via this power terminal block
- The first initiator can also be connected to this three-conductor feed-through terminal block

DIKD 1,5-PV

- Space-saving potential distributor terminal block
- Bridgeable upper level makes potential distribution over more than 6 terminal points possible
- The potential distributor terminal block is available with a gray, blue or black insulating housing for clear potential demarcation

Notes:

1) The total current of all connected conductors must not exceed the max. load current.



2.5 (4) mm², 26 A, three-conductor initiator terminal block



Dimensions		[mm]
Max. electrical data		
Rated data		
Rated voltage	[V]	250
Nominal current / cross section	[A] / [mm ²]	24 / 2.5
Rated cross section	[mm ²]	2.5
Cross section range	AWG	24 - 12
Connection capacity		
1 conductor	[mm ²]	0.2 - 4
Two conductors (of the same type)	[mm ²]	0.2 - 1
Two stranded conductors with a TWIN ferrule	[mm ²]	0.2 - 2.5
Max. cross section with insertion bridge	[mm ²]	2.5
General data		
Stripping length	[mm]	8
Screw thread		M3
Tightening torque	[Nm]	0.5 - 0.6
Insulating material		PA
Inflammability class according to UL 94		V2

Technical data				
Width	Length	Height NS 35/7,5		
6.2	55	54.5		
I _{max} [A]	U _{max} [V]	max. Ø [mm ²]	AWG	
26	250	0.2 - 4	24 - 12	
IEC 60947-7-1				
IEC	UL/CUL	CSA	IEC/EN 60079-7	
Rated voltage		300	300	-
Nominal current / cross section		15 / -	15 / -	-
Rated cross section		-	-	-
Cross section range		30-14	28-14	-
Connection capacity		solid	stranded	Ferrule
		Without / with plastic sleeve		
0.2 - 4	0.2 - 2.5	0.25 - 2.5	0.25 - 2.5	
0.2 - 1	0.2 - 1	0.25 - 1	-	
			0.5 - 1	

Description	No. of pos.	Color
Terminal block, for mounting on NS 35...		gray blue
Terminal block, with three through contacts, for mounting on NS 35...		gray blue
Terminal block, with through contacts in the upper and middle levels, for mounting on NS 35...		gray
Terminal block, with equipotential bonder, for mounting on NS 35...		gray blue black

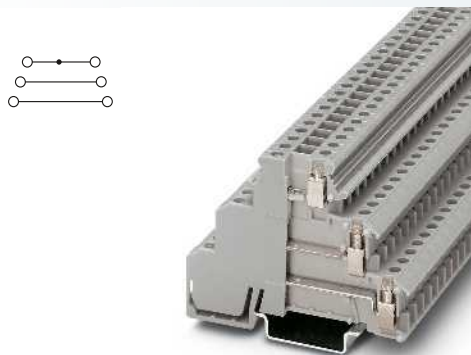
Ordering data			
Type	I _{max}	Order No.	Pcs. / Pkt.
DIK 1,5		2715966	50
DIK 1,5 BU		2716059	50

Fixed bridge, insulated	10	silver
Insertion bridge, for middle and lower levels	10	blue
	10	red
	10	gray
	80	blue
	80	red
	80	white
Partition plate, 2 mm width		gray
Screwdriver		

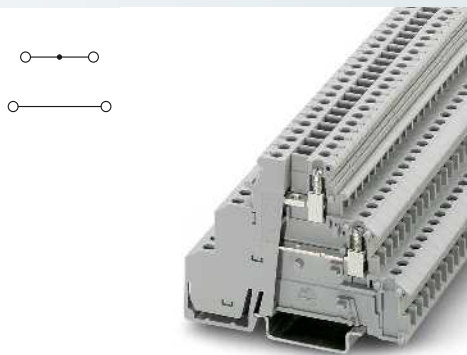
Accessories			
Type	I _{max}	Order No.	Pcs. / Pkt.
FBI 10- 6	24 A	0203250	10
EB 10- DIK BU	24 A	2716680	10
EB 10- DIK RD	24 A	2716774	10
EB 10- DIK GY	24 A	2715937	10
EB 80- DIK BU	24 A	2715940	1
EB 80- DIK RD	24 A	2715953	1
EB 80- DIK WH	24 A	2715788	1
ATP-DIK 1,5		1413272	50
SF-SL 0,6X3,5-100 S-VDE		1212587	10

Marker strips, for middle and lower level
Labeling for upper level

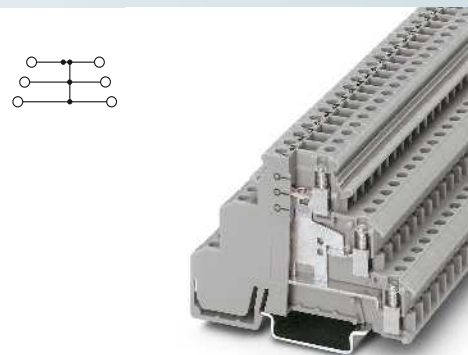
SK 6,2/3,8 (see Catalog 5)
ZB 6 (see Catalog 5)



2.5 (4) mm², 30 A, three-level terminal block



2.5 (4) mm², 30 A, three-level terminal block with two feed-through levels



2.5 (4) mm², 32 A, three-level terminal block, internally connected levels



Technical data			
Width	Length	Height NS 35/7,5	
6.2	72.5	54.5	
I_{max} [A]	U_{max} [V]	max. Ø [mm ²]	AWG
30	250	0.2 - 4	24 - 12
IEC 60947-7-1			
IEC	UL/CUL	CSA	IEC/EN 60079-7
250	300	300	-
24 / 2.5	15 / -	15 / -	-
2.5	-	-	-
24 - 12	30-14	28-14	-
solid	stranded	Ferrule Without / with plastic sleeve	
0.2 - 4	0.2 - 2.5	0.25 - 2.5	0.25 - 2.5
0.2 - 1	0.2 - 1	0.25 - 1	-
			0.5 - 1
4	2.5		
8			
M3			
0.5 - 0.6			
PA			
V2			

Technical data			
Width	Length	Height NS 35/7,5	
6.2	72.5	54.5	
I_{max} [A]	U_{max} [V]	max. Ø [mm ²]	AWG
30	250	0.2 - 4	24 - 12
IEC 60947-7-1			
IEC	UL/CUL	CSA	IEC/EN 60079-7
250	300	-	-
24 / 2.5	15 / -	-	-
2.5	-	-	-
24 - 12	30-14	-	-
solid	stranded	Ferrule Without / with plastic sleeve	
0.2 - 4	0.2 - 2.5	0.25 - 2.5	0.25 - 2.5
0.2 - 1	0.2 - 1	0.25 - 1	-
			0.5 - 1
4	2.5		
8			
M3			
0.5 - 0.6			
PA			
V2			

Technical data			
Width	Length	Height NS 35/7,5	
6.2	72.5	54.5	
I_{max} [A]	U_{max} [V]	max. Ø [mm ²]	AWG
32*)	250	0.2 - 4	24 - 12
IEC 60947-7-1			
IEC	UL/CUL	CSA	IEC/EN 60079-7
250	300	300	-
24 / 2.5	15 / -	15 / -	-
2.5	-	-	-
24 - 12	30-14	28-14	-
solid	stranded	Ferrule Without / with plastic sleeve	
0.2 - 4	0.2 - 2.5	0.25 - 2.5	0.25 - 2.5
0.2 - 1	0.2 - 1	0.25 - 1	-
			0.5 - 1
4	2.5		
8			
M3			
0.5 - 0.6			
PA			
V2			

Ordering data			
Type	I_{max}	Order No.	Pcs. / Pkt.
DIKD 1,5		2715979	50
DIKD 1,5 BU		2716101	50

Ordering data			
Type	I_{max}	Order No.	Pcs. / Pkt.
DIKD 1,5-2D		2716512	50

Ordering data			
Type	I_{max}	Order No.	Pcs. / Pkt.
DIKD 1,5-PV		2715092	50
DIKD 1,5-PV BU		2715584	50
DIKD 1,5-PV BK		2715571	50

Accessories			
FBI 10- 6	24 A	0203250	10
EB 10- DIK BU	24 A	2716680	10
EB 10- DIK RD	24 A	2716774	10
EB 10- DIK GY	24 A	2715937	10
EB 80- DIK BU	24 A	2715940	1
EB 80- DIK RD	24 A	2715953	1
EB 80- DIK WH	24 A	2715788	1
ATP-DIKD 1,5		1413285	50
SF-SL 0,6X3,5-100 S-VDE		1212587	10

Accessories			
FBI 10- 6	24 A	0203250	10
EB 10- DIK BU	24 A	2716680	10
EB 10- DIK RD	24 A	2716774	10
EB 10- DIK GY	24 A	2715937	10
EB 80- DIK BU	24 A	2715940	1
EB 80- DIK RD	24 A	2715953	1
EB 80- DIK WH	24 A	2715788	1
ATP-DIKD 1,5		1413285	50
SF-SL 0,6X3,5-100 S-VDE		1212587	10

Accessories			
FBI 10- 6	24 A	0203250	10
EB 10- DIK BU	24 A	2716680	10
EB 10- DIK RD	24 A	2716774	10
EB 10- DIK GY	24 A	2715937	10
EB 80- DIK BU	24 A	2715940	1
EB 80- DIK RD	24 A	2715953	1
EB 80- DIK WH	24 A	2715788	1
ATP-DIKD 1,5		1413285	50
SF-SL 0,6X3,5-100 S-VDE		1212587	10

SK 6,2/3,8 (see Catalog 5)
ZB 6 (see Catalog 5)

SK 6,2/3,8 (see Catalog 5)
ZB 6 (see Catalog 5)

SK 6,2/3,8 (see Catalog 5)
ZB 6 (see Catalog 5)

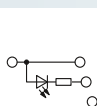
Modular terminal blocks

UK universal modular terminal blocks

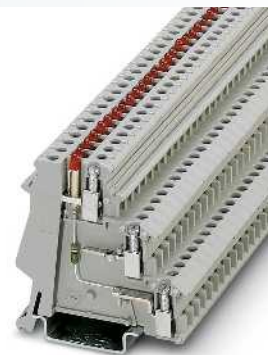
DIK 1,5 ... three-level and three-conductor initiator terminal blocks with light indicator

– Terminal blocks with light indicators in red and green are available for visual identification of the initiator and actuator wiring

Notes:
1) Current and voltage are determined by the plug used.
2) Light indicator: voltage 15-30 V DC, current 1-2.5 mA.
3) The corresponding accessories are documented, see page 544.



2.5 (4) mm², 26 A, three-conductor terminal block with light indicator



2.5 (4) mm², 26 A, three-conductor terminal block with light indicator



Dimensions		[mm]
Max. electrical data		
Rated data		
Rated voltage	[V]	250
Nominal current / cross section	[A] / [mm ²]	24 / 2.5
Rated cross section	[mm ²]	2.5
Cross section range	AWG	24 - 12
Disconnect level rated data		
Nominal current / cross section	[A] / [mm ²]	-
Connection capacity		
1 conductor	[mm ²]	0.2 - 4
Two conductors (of the same type)	[mm ²]	0.2 - 1
Two stranded conductors with a TWIN ferrule	[mm ²]	0.2 - 1
Max. cross section with insertion bridge	[mm ²]	4
General data		
Stripping length	[mm]	8
Screw thread		M3
Tightening torque	[Nm]	0.5 - 0.6
Insulating material		PA
Inflammability class according to UL 94		V2

Technical data				
Width	Length	Height NS 35/7,5		
6.2	55	54.5		
I _{max} [A]	U _{max} [V]	max. Ø [mm ²]	AWG	
26	250	0.2 - 4	24 - 12	
IEC	UL/CUL	CSA	IEC/EN 60079-7	
250	300	300	-	
24 / 2.5	15 / -	15 / -	-	
2.5	-	-	-	
24 - 12	30-14	28-14	-	
IEC	UL/CUL	CSA	IEC/EN 60079-7	
-	-	-	-	
solid		stranded		Ferrule
				Without / with plastic sleeve
0.2 - 4	0.2 - 2.5	0.25 - 2.5	0.25 - 2.5	
0.2 - 1	0.2 - 1	0.25 - 1	-	
			0.5 - 1	
4	2.5			
Ordering data				
Type	I _{max}	Order No.	Pcs. / Pkt.	
DIK 1,5-LA 24RD/O-M		2715856	50	
DIK 1,5-LA 24GN/O-M		2715762	50	

Technical data				
Width	Length	Height NS 35/7,5		
6.2	55	54.5		
I _{max} [A]	U _{max} [V]	max. Ø [mm ²]	AWG	
26	250	0.2 - 4	24 - 12	
IEC	UL/CUL	CSA	IEC/EN 60079-7	
250	300	300	-	
24 / 2.5	15 / -	15 / -	-	
2.5	-	-	-	
24 - 12	30-14	28-14	-	
IEC	UL/CUL	CSA	IEC/EN 60079-7	
-	-	-	-	
solid		stranded		Ferrule
				Without / with plastic sleeve
0.2 - 4	0.2 - 2.5	0.25 - 2.5	0.25 - 2.5	
0.2 - 1	0.2 - 1	0.25 - 1	-	
			0.5 - 1	
4	2.5			
Ordering data				
Type	I _{max}	Order No.	Pcs. / Pkt.	
DIK 1,5-LA 24RD/U-O		2715995	50	
DIK 1,5-LA 24GN/U-O		2715733	50	

Description	No. of pos.	Color
Terminal block , with a red LED between the upper and middle level, for mounting on NS 35... ²⁾		gray
Green LED		gray
Terminal block , with a red LED between the upper and lower level, for mounting on NS 35... ²⁾		gray
Green LED		gray
Terminal block , with three through contacts and a red LED between the upper and middle level, for mounting on NS 35... ²⁾		gray
Green LED		gray
Terminal block , with three through contacts and a red LED between the upper and lower level, for mounting on NS 35... ²⁾		gray
Green LED		gray
Basic terminal block , for mounting on NS 35... ³⁾		gray

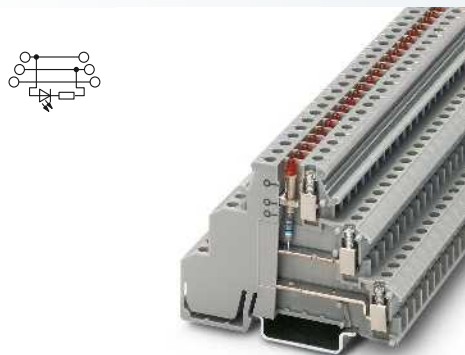
Accessories				
FBI 10- 6	24 A	0203250	10	
EB 80- DIK BU	24 A	2715940	1	
EB 80- DIK RD	24 A	2715953	1	
EB 80- DIK WH	24 A	2715788	1	
ATP-DIK 1,5		1413272	50	
SF-SL 0,6X3,5-100 S-VDE		1212587	10	
SK 6,2/3,8 (see Catalog 5)				
ZB 6 (see Catalog 5)				

Accessories				
FBI 10- 6	24 A	0203250	10	
EB 80- DIK BU	24 A	2715940	1	
EB 80- DIK RD	24 A	2715953	1	
EB 80- DIK WH	24 A	2715788	1	
ATP-DIK 1,5		1413272	50	
SF-SL 0,6X3,5-100 S-VDE		1212587	10	
SK 6,2/3,8 (see Catalog 5)				
ZB 6 (see Catalog 5)				

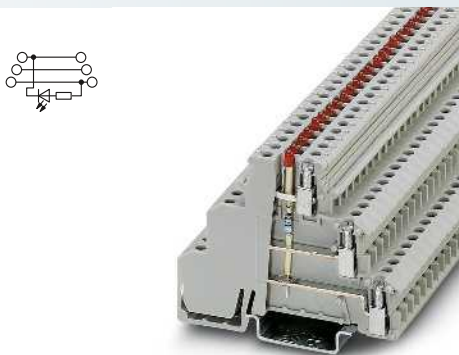
Fixed bridge , insulated	10	silver
Insertion bridge , for middle and lower levels	80	blue
	80	red
	80	white
Partition plate , 2 mm width		gray
Screwdriver		
Marker Strips , for middle and lower level		
Labeling for upper level		

Fixed bridge , insulated	10	silver
Insertion bridge , for middle and lower levels	80	blue
	80	red
	80	white
Partition plate , 2 mm width		gray
Screwdriver		
Marker Strips , for middle and lower level		
Labeling for upper level		

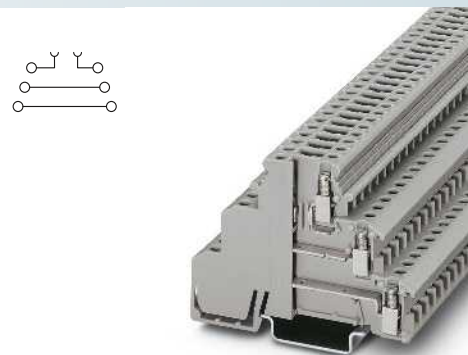
Fixed bridge , insulated	10	silver
Insertion bridge , for middle and lower levels	80	blue
	80	red
	80	white
Partition plate , 2 mm width		gray
Screwdriver		
Marker Strips , for middle and lower level		
Labeling for upper level		



2.5 (4) mm², 30 A, three-level terminal block with LED



2.5 (4) mm², 30 A, three-level terminal block with LED



2.5 (4) mm², 30 A, three-level terminal block with disconnect zone



Technical data			
Width	Length	Height NS 35/7,5	
6.2	72.5	54.5	
I_{max} [A]	U_{max} [V]	max. Ø [mm ²]	AWG
30	250	0.2 - 4	24 - 12
IEC	UL/CUL	CSA	IEC/EN 60079-7
250	300	300	-
24 / 2.5	15 / -	15 / -	-
2.5	-	-	-
24 - 12	30-14	28-14	-
IEC	UL/CUL	CSA	IEC/EN 60079-7
-	-	-	-
solid	stranded	Ferrule	
		Without / with plastic sleeve	
0.2 - 4	0.2 - 2.5	0.25 - 2.5	0.25 - 2.5
0.2 - 1	0.2 - 1	0.25 - 1	-
			0.5 - 1
4	2.5		
8			
M3			
0.5 - 0.6			
PA			
V2			

Technical data			
Width	Length	Height NS 35/7,5	
6.2	72.5	54.5	
I_{max} [A]	U_{max} [V]	max. Ø [mm ²]	AWG
30	250	0.2 - 4	24 - 12
IEC	UL/CUL	CSA	IEC/EN 60079-7
250	300	300	-
24 / 2.5	15 / -	15 / -	-
2.5	-	-	-
24 - 12	30-14	28-14	-
IEC	UL/CUL	CSA	IEC/EN 60079-7
-	-	-	-
solid	stranded	Ferrule	
		Without / with plastic sleeve	
0.2 - 4	0.2 - 2.5	0.25 - 2.5	0.25 - 2.5
0.2 - 1	0.2 - 1	0.25 - 1	-
			0.5 - 1
4	2.5		
8			
M3			
0.5 - 0.6			
PA			
V2			

Technical data			
Width	Length	Height NS 35/7,5	
6.2	72.5	54.5	
I_{max} [A]	U_{max} [V]	max. Ø [mm ²]	AWG
30*)	250*)	0.2 - 4	24 - 12
IEC 60947-7-1			
IEC	UL/CUL	CSA	IEC/EN 60079-7
250*)	300	300	-
24*) / 2.5	15 / -	15 / -	-
2.5	-	-	-
24 - 12	30-14	28-14	-
IEC	UL/CUL	CSA	IEC/EN 60079-7
16*) / 2.5	-	-	-
solid	stranded	Ferrule	
		Without / with plastic sleeve	
0.2 - 4	0.2 - 2.5	0.25 - 2.5	0.25 - 2.5
0.2 - 1	0.2 - 1	0.25 - 1	-
			0.5 - 1
4	2.5		
8			
M3			
0.5 - 0.6			
PA			
V2			

Ordering data			
Type	I_{max}	Order No.	Pcs. / Pkt.
DIKD 1,5-LA 24RD/O-M		2715814	50
DIKD 1,5-LA 24GN/O-M		2716376	50

Ordering data			
Type	I_{max}	Order No.	Pcs. / Pkt.
DIKD 1,5-LA 24RD/U-O		2716279	50
DIKD 1,5-LA 24GN/U-O		2716402	50

Ordering data			
Type	I_{max}	Order No.	Pcs. / Pkt.
DIKD 1,5-TG		2774237	50

Accessories			
FBI 10-6	24 A	0203250	10
EB 80- DIK BU	24 A	2715940	1
EB 80- DIK RD	24 A	2715953	1
EB 80- DIK WH	24 A	2715788	1
ATP-DIKD 1,5		1413285	50
SF-SL 0,6X3,5-100 S-VDE		1212587	10

Accessories			
FBI 10-6	24 A	0203250	10
EB 80- DIK BU	24 A	2715940	1
EB 80- DIK RD	24 A	2715953	1
EB 80- DIK WH	24 A	2715788	1
ATP-DIKD 1,5		1413285	50
SF-SL 0,6X3,5-100 S-VDE		1212587	10

Accessories			
FBI 10-6	24 A	0203250	10
EB 80- DIK BU	24 A	2715940	1
EB 80- DIK RD	24 A	2715953	1
EB 80- DIK WH	24 A	2715788	1
ATP-DIKD 1,5		1413285	50
SF-SL 0,6X3,5-100 S-VDE		1212587	10

SK 6,2/3,8 (see Catalog 5)
ZB 6 (see Catalog 5)

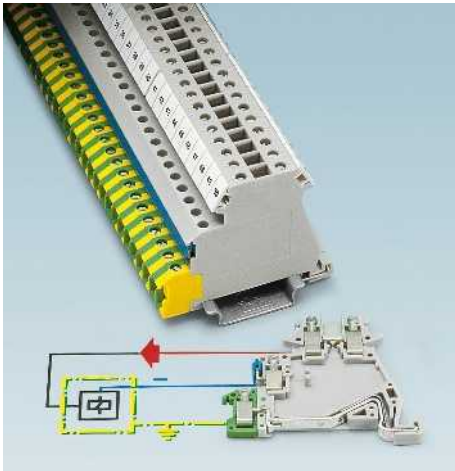
SK 6,2/3,8 (see Catalog 5)
ZB 6 (see Catalog 5)

SK 6,2/3,8 (see Catalog 5)
ZB 6 (see Catalog 5)

Modular terminal blocks

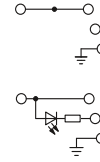
UK universal modular terminal blocks

DOK 1,5... three-level and three-conductor actuator terminal blocks with PE foot



- Same shape as the DIK ... three-level initiator terminal blocks
- The upper level accommodates the feed-through terminal blocks for the signal line which can be labeled
- The middle level supplies the connected actuators with voltage
- Unlike the DIK terminal blocks, the lower level of these output terminal blocks makes direct contact with the DIN rail and as a PE connection they are marked green-yellow
- Convenient bridging of up to 80 terminal blocks with divisible insertion bridges
- The forks of the insertion bridge can be easily loosened for jumping bridging
- Alternate wiring of an actuator followed by an initiator is easy
- Because the spine of the insertion bridge can be snapped into place with the terminal block housing, all the terminal points can be wired freely and the bridge can be securely positioned
- Terminal blocks with light indicators in red and green are available for optical identification of the initiator and actuator wiring
- The DOKD 1,5-TG component terminal block can accommodate the fuse plug or the isolating plug

Notes:
For current carrying capacity of DIN rails, see page 716.
1) Current and voltage are determined by the plug used.
2) Light indicator: Voltage 15-30 V DC, current 1-2.5 mA.
3) The corresponding accessories are documented, see page 544.



2.5 (4) mm², 26 A, three-conductor actuator terminal block with PE foot



Dimensions	
	[mm]
Max. electrical data	
Rated data	
Rated voltage	[V]
Nominal current / cross section	[A] / [mm ²]
Rated cross section	[mm ²]
Cross section range	AWG
Disconnect level rated data	
Nominal current / cross section	[A] / [mm ²]
Connection capacity	
1 conductor	[mm ²]
Two conductors (of the same type)	[mm ²]
Two stranded conductors with a TWIN ferrule	[mm ²]
Max. cross section with insertion bridge	[mm ²]
General data	
Stripping length	[mm]
Screw thread	
Tightening torque	[Nm]
Insulating material	
Inflammability class according to UL 94	

Technical data				
Width	Length	Height NS 35/7,5		
6.2	61.5	54.5		
I _{max} [A]	U _{max} [V]	max. Ø [mm ²]	AWG	
26	250	0.2 - 4	24 - 12	
IEC 60947-7-1 / IEC 60947-7-2				
IEC	UL/CUL	CSA	IEC/EN 60079-7	
250	300	300	-	
24 / 2.5	15 / -	15 / -	-	
2.5	-	-	-	
24 - 12	30-14	28-14	-	
Disconnect level rated data				
IEC	UL/CUL	CSA	IEC/EN 60079-7	
-	-	-	-	
Connection capacity				
solid	stranded	Ferrule		
		Without / with plastic sleeve		
0.2 - 4	0.2 - 2.5	0.25 - 2.5	0.25 - 2.5	
0.2 - 1	0.2 - 1	0.25 - 1	-	
4	2.5		0.5 - 1	
8				
M3				
0.5 - 0.6				
PA				
V2				

Description	No. of pos.	Color
Terminal block, for mounting on NS 35...		gray
Terminal block, with red (RD) LED between the upper and middle levels, for mounting on NS 35... ²⁾		gray
Terminal block, with green (GN) LED between the upper and middle levels, for mounting on NS 35... ²⁾		gray
Terminal block, with through contacts in the upper and lower levels, for mounting on NS 35...		gray
Basic terminal block, for mounting on NS 35... ³⁾		gray

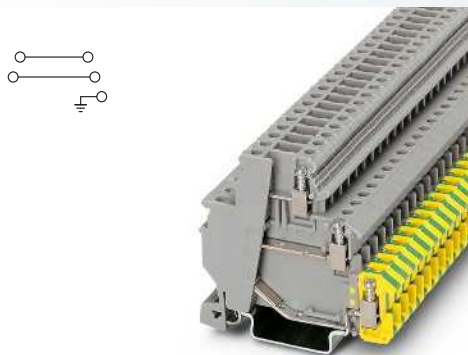
Ordering data			
Type	I _{max}	Order No.	Pcs. / Pkt.
DOK 1,5		2717016	50
DOK 1,5-LA 24RD/O-M		2717029	50
DOK 1,5-LA 24GN/O-M		2717074	50

Insertion bridge, for middle and lower levels, fully insulated		
	10	gray
	10	red
	10	blue
	80	blue
	80	red
	80	white
Fixed bridge, insulated		
	10	silver

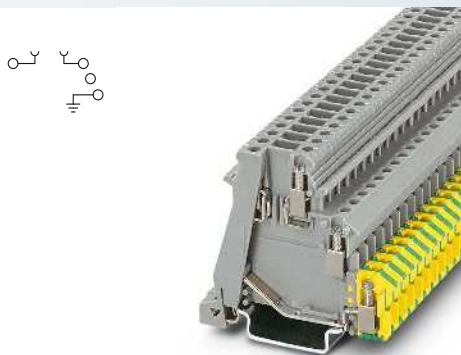
Accessories			
EB 10- DIK GY	26 A	2715937	10
EB 10- DIK RD	26 A	2716774	10
EB 10- DIK BU	26 A	2716680	10
EB 80- DIK BU	26 A	2715940	1
EB 80- DIK RD	26 A	2715953	1
EB 80- DIK WH	26 A	2715788	1

Partition plate, 2 mm width	gray
Screwdriver	
Marker strips, for middle and lower level	
Labeling for upper level	

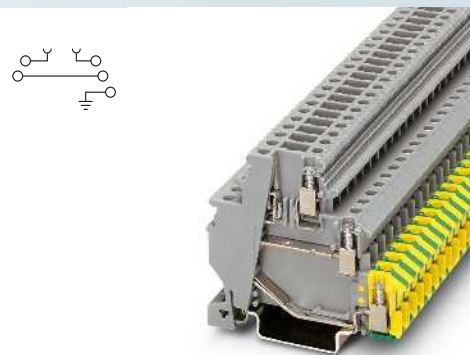
FBI 10- 6	26 A	0203250	10
ATP-DIK 1,5		1413272	50
SF-SL 0,6X3,5-100 S-VDE		1212587	10
SK 6,2/3,8 (see Catalog 5)			
ZB 6 (see Catalog 5)			



2.5 (4) mm², 26 A, three-level terminal block with PE foot



2.5 (4) mm², 16 A, three-conductor actuator terminal block with disconnect zone and PE foot



2.5 (4) mm², 26 A, three-level terminal block with disconnect zone and PE foot



Technical data			
Width	Length	Height NS 35/7,5	
6.2	62.5	54.5	
I _{max} [A]	U _{max} [V]	max. Ø [mm ²]	AWG
26	250	0.2 - 4	24 - 12
IEC 60947-7-1 / IEC 60947-7-2			
IEC	UL/CUL	CSA	IEC/EN 60079-7
250	300	300	-
24 / 2.5	15 / -	15 / -	-
2.5	-	-	-
24 - 12	30-14	28-14	-
IEC	UL/CUL	CSA	IEC/EN 60079-7
-	-	-	-
solid	stranded	Ferrule	
		Without / with plastic sleeve	
0.2 - 4	0.2 - 2.5	0.25 - 2.5	0.25 - 2.5
0.2 - 1	0.2 - 1	0.25 - 1	-
			0.5 - 1
4	2.5		
8			
M3			
0.5 - 0.6			
PA			
V2			

Technical data			
Width	Length	Height NS 35/7,5	
6.2	61	54.5	
I _{max} [A]	U _{max} [V]	max. Ø [mm ²]	AWG
16 ¹⁾	250 ¹⁾	0.2 - 4	24 - 12
IEC 60947-7-1 / IEC 60947-7-2			
IEC	UL/CUL	CSA	IEC/EN 60079-7
250 ¹⁾	300	300	-
16 ¹⁾ / 1.5	15 / -	15 / -	-
2.5	-	-	-
24 - 12	30-14	28-14	-
IEC	UL/CUL	CSA	IEC/EN 60079-7
16 ¹⁾	-	-	-
solid	stranded	Ferrule	
		Without / with plastic sleeve	
0.2 - 4	0.2 - 2.5	0.25 - 2.5	0.25 - 2.5
0.2 - 1	0.2 - 1	0.25 - 1	-
			0.5 - 1
4	2.5		
8			
M3			
0.5 - 0.6			
PA			
V2			

Technical data			
Width	Length	Height NS 35/7,5	
6.2	63	54.5	
I _{max} [A]	U _{max} [V]	max. Ø [mm ²]	AWG
26 ¹⁾	250 ¹⁾	0.2 - 4	24 - 12
IEC 60947-7-1 / IEC 60947-7-2			
IEC	UL/CUL	CSA	IEC/EN 60079-7
250 ¹⁾	300	300	-
24 ¹⁾ / 2.5	15 / -	15 / -	-
2.5	-	-	-
24 - 12	30-14	28-14	-
IEC 60947-7-1			
IEC	UL/CUL	CSA	IEC/EN 60079-7
16 ¹⁾	-	-	-
solid	stranded	Ferrule	
		Without / with plastic sleeve	
0.2 - 4	0.2 - 2.5	0.25 - 2.5	0.25 - 2.5
0.2 - 1	0.2 - 1	0.25 - 1	-
			0.5 - 1
4	2.5		
8			
M3			
0.5 - 0.6			
PA			
V2			

Ordering data			
Type	I _{max}	Order No.	Pcs. / Pkt.
DOK 1,5-2D		2717139	50

Ordering data			
Type	I _{max}	Order No.	Pcs. / Pkt.
DOK 1,5-TG		2717113	50

Ordering data			
Type	I _{max}	Order No.	Pcs. / Pkt.
DOKD 1,5-TG		3011054	50

Accessories			
EB 10- DIK GY	26 A	2715937	10
EB 10- DIK RD	26 A	2716774	10
EB 10- DIK BU	26 A	2716680	10
EB 80- DIK BU	26 A	2715940	1
EB 80- DIK RD	26 A	2715953	1
EB 80- DIK WH	26 A	2715788	1
ATP-DIKD 1,5		1413285	50
SF-SL 0,6X3,5-100 S-VDE		1212587	10

Accessories			
EB 10- DIK GY	26 A	2715937	10
EB 10- DIK RD	26 A	2716774	10
EB 10- DIK BU	26 A	2716680	10
EB 80- DIK BU	26 A	2715940	1
EB 80- DIK RD	26 A	2715953	1
EB 80- DIK WH	26 A	2715788	1
ATP-DIK 1,5		1413272	50
SF-SL 0,6X3,5-100 S-VDE		1212587	10

Accessories			
EB 10- DIK GY	26 A	2715937	10
EB 10- DIK RD	26 A	2716774	10
EB 10- DIK BU	26 A	2716680	10
EB 80- DIK BU	26 A	2715940	1
EB 80- DIK RD	26 A	2715953	1
EB 80- DIK WH	26 A	2715788	1
ATP-DIKD 1,5		1413285	50
SF-SL 0,6X3,5-100 S-VDE		1212587	10

SK 6,2/3,8 (see Catalog 5)
ZB 6 (see Catalog 5)

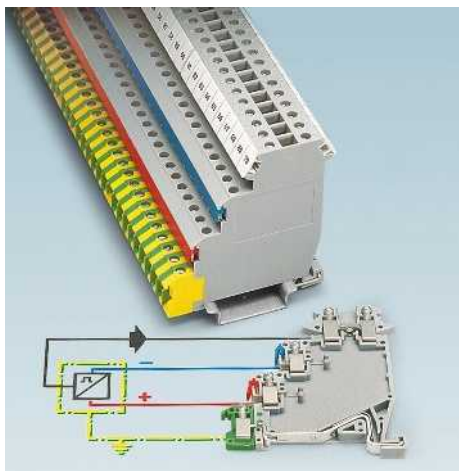
SK 6,2/3,8 (see Catalog 5)
ZB 6 (see Catalog 5)

SK 6,2/3,8 (see Catalog 5)
ZB 6 (see Catalog 5)

Modular terminal blocks

UK universal modular terminal blocks

VIOK 1,5... four-conductor initiator and actuator terminal blocks



VIOK 1,5

- This terminal block is a combination of a DIK ... and DOK ... terminal block where just one terminal block can be used for initiators and actuators
- The upper level accommodates the feed-through Terminal blocks for the signal line which can be labeled
- The two middle terminal points supply potential to the initiator
- The PE connection can be found in the lower level

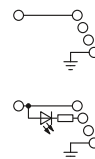
VIOK 1,5-2D

- This terminal block has two feed-through levels and two busbar levels
- It is used for programmable or self-monitoring initiators which are additionally controlled via the second feed-through level

VIOK 1,5-D/TG/D/PE

- Here a plug division is integrated in the second level from above. Therefore, the positive potential of the initiator can be transmitted via a fuse plug or – for maintenance and test purposes – via an isolating plug

Notes:
For current carrying capacity of DIN rails, see page 716.
1) Current and voltage are determined by the plug used.
2) When using EB insertion bridges, the nominal voltage is reduced to 250 V.
3) The corresponding accessories are documented, see page 544.



2.5 (4) mm², 26 A, four-conductor actuator terminal block with PE foot



Dimensions	[mm]
Max. electrical data	
Rated data	
Rated voltage	[V]
Nominal current / cross section	[A] / [mm ²]
Rated cross section	[mm ²]
Cross section range	AWG
Disconnect level rated data	
Nominal current / cross section	[A] / [mm ²]
Connection capacity	
1 conductor	[mm ²]
Two conductors (of the same type)	[mm ²]
Two stranded conductors with a TWIN ferrule	[mm ²]
Max. cross section with insertion bridge	[mm ²]
General data	
Stripping length	[mm]
Screw thread	
Tightening torque	[Nm]
Insulating material	
Inflammability class according to UL 94	

Technical data			
Width	Length	Height NS 35/7.5	
6.2	62.5	70	
I _{max} [A]	U _{max} [V]	max. Ø [mm ²]	AWG
26	250	0.2 - 4	24 - 12
IEC 60947-7-1 / IEC 60947-7-2			
IEC	UL/CUL	CSA	IEC/EN 60079-7
IEC 60947-7-1 / IEC 60947-7-2			
IEC	UL/CUL	CSA	IEC/EN 60079-7
IEC 60947-7-1 / IEC 60947-7-2			
IEC	UL/CUL	CSA	IEC/EN 60079-7
Nominal current / cross section [A] / [mm ²]			
-			
Connection capacity			
		Ferrule	
		Without / with plastic sleeve	
solid	stranded		
0.2 - 4	0.2 - 2.5	0.25 - 2.5	0.25 - 2.5
0.2 - 1	0.2 - 1	0.25 - 1	-
4	2.5		0.5 - 1
General data			
Stripping length [mm]			
8			
Screw thread			
M3			
Tightening torque [Nm]			
0.5 - 0.6			
Insulating material			
PA			
Inflammability class according to UL 94			
V2			

Description	No. of pos.	Color
Terminal block , for mounting on NS 35...		gray
Terminal block , with red (RD) LED between the upper level and the level below it, for mounting on NS 35...		gray
Terminal block , with green (GN) LED between the upper level and the level below it, for mounting on NS 35...		gray
Terminal block , with two through contacts, for mounting on NS 35...		gray
Terminal block , with three through contacts, for mounting on NS 35...		gray
Basic terminal block , with two through contacts, for mounting on NS 35... ³⁾		gray

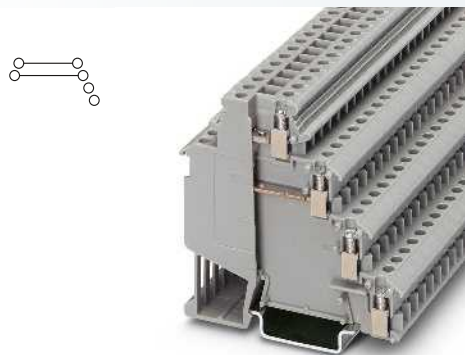
Insertion bridge, for middle and lower levels, fully insulated		
	10	gray
	10	red
	10	blue
	80	blue
	80	red
	80	white
Fixed bridge , insulated		
	10	silver
Partition plate , 2 mm width		gray
Screwdriver		

Marker Strips , for middle and lower level
Labeling for middle levels
Labeling for upper level

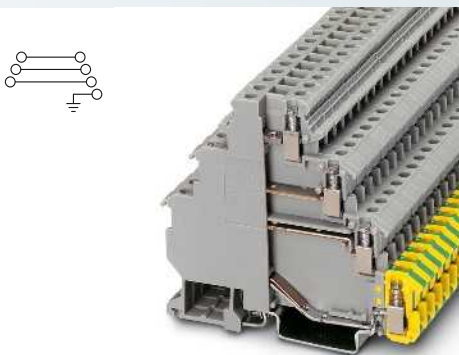
Ordering data			
Type	I _{max}	Order No.	Pcs. / Pkt.
VIOK 1,5		2718015	50
VIOK 1,5-LA 24RD/O-MO		2718028	50
VIOK 1,5-LA 24GN/O-MO		2718112	50

Accessories			
EB 10- DIK GY	26 A	2715937	10
EB 10- DIK RD	26 A	2716774	10
EB 10- DIK BU	26 A	2716680	10
EB 80- DIK BU	26 A	2715940	1
EB 80- DIK RD	26 A	2715953	1
EB 80- DIK WH	26 A	2715788	1
FBI 10- 6	26 A	0203250	10
ATP-DIK 1,5		1413272	50
SF-SL 0,6X3,5-100 S-VDE		1212587	10

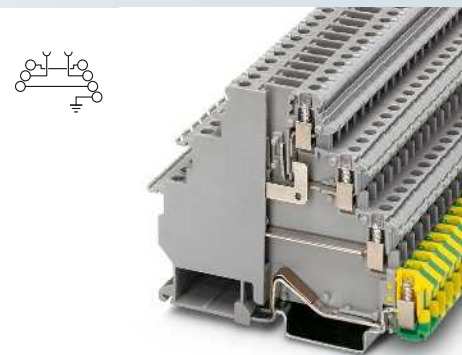
SK 6,2/3,8 (see Catalog 5)
ZB 6 (see Catalog 5)



2.5 (4) mm², 26 A, four-conductor terminal block, both upper levels as feed-through levels



2.5 (4) mm², 26 A, four-level terminal block with PE foot



2.5 (4) mm², 24 A, four-level terminal block with PE foot, disconnect zone in third level



Technical data			
Width	Length	Height NS 35/7,5	
6.2	73	70	
I _{max} [A]	U _{max} [V]	max. Ø [mm ²]	AWG
26	250	0.2 - 4	24 - 12
IEC 60947-7-1			
IEC	UL/CUL	CSA	IEC/EN 60079-7
250	300	300	-
24 / 2.5	15 / -	15 / -	-
2.5	-	-	-
24 - 12	30-14	28-14	-
IEC	UL/CUL	CSA	IEC/EN 60079-7
-	-	-	-
solid	stranded	Ferrule	
		Without / with plastic sleeve	
0.2 - 4	0.2 - 2.5	0.25 - 2.5	0.25 - 2.5
0.2 - 1	0.2 - 1	0.25 - 1	-
			0.5 - 1
4	2.5		
8			
M3			
0.5 - 0.6			
PA			
V2			

Technical data			
Width	Length	Height NS 35/7,5	
6.2	82.5	70	
I _{max} [A]	U _{max} [V]	max. Ø [mm ²]	AWG
26	400 ²⁾	0.2 - 4	24 - 12
IEC 60947-7-1 / IEC 60947-7-2			
IEC	UL/CUL	CSA	IEC/EN 60079-7
400 ²⁾	300	300	-
24 / 2.5	15 / -	15 / -	-
2.5	-	-	-
24 - 12	30-14	28-14	-
IEC	UL/CUL	CSA	IEC/EN 60079-7
-	-	-	-
solid	stranded	Ferrule	
		Without / with plastic sleeve	
0.2 - 4	0.2 - 2.5	0.25 - 2.5	0.25 - 2.5
0.2 - 1	0.2 - 1	0.25 - 1	-
			0.5 - 1
4	2.5		
8			
M3			
0.5 - 0.6			
PA			
V2			

Technical data			
Width	Length	Height NS 35/7,5	
6.2	91.5	70	
I _{max} [A]	U _{max} [V]	max. Ø [mm ²]	AWG
24 ¹⁾	250 ¹⁾	0.2 - 4	24 - 12
IEC 60947-7-1 / IEC 60947-7-2			
IEC	UL/CUL	CSA	IEC/EN 60079-7
250 ¹⁾	300	300	-
24 ¹⁾ / 2.5	15 / -	15 / -	-
2.5	-	-	-
24 - 12	30-14	28-14	-
IEC 60947-7-1			
IEC	UL/CUL	CSA	IEC/EN 60079-7
16 / 1.5	-	-	-
solid	stranded	Ferrule	
		Without / with plastic sleeve	
0.2 - 4	0.2 - 2.5	0.25 - 2.5	0.25 - 2.5
0.2 - 1	0.2 - 1	0.25 - 1	-
			0.5 - 1
4	2.5		
8			
M3			
0.5 - 0.6			
PA			
V2			

Ordering data			
Type	I _{max}	Order No.	Pcs. / Pkt.
VIOK 1,5-2D		2718196	50

Ordering data			
Type	I _{max}	Order No.	Pcs. / Pkt.
VIOK 1,5-3D/PE		2718206	50

Ordering data			
Type	I _{max}	Order No.	Pcs. / Pkt.
VIOK 1,5-D/TG/D/PE		3011067	50

Accessories			
EB 10- DIK GY	26 A	2715937	10
EB 10- DIK RD	26 A	2716774	10
EB 10- DIK BU	26 A	2716680	10
EB 80- DIK BU	26 A	2715940	1
EB 80- DIK RD	26 A	2715953	1
EB 80- DIK WH	26 A	2715788	1
FBI 10- 6	26 A	0203250	10
ATP-DIKD 1,5		1413285	50
SF-SL 0,6X3,5-100 S-VDE		1212587	10

Accessories			
EB 10- DIK GY	26 A	2715937	10
EB 10- DIK RD	26 A	2716774	10
EB 10- DIK BU	26 A	2716680	10
EB 80- DIK BU	26 A	2715940	1
EB 80- DIK RD	26 A	2715953	1
EB 80- DIK WH	26 A	2715788	1
FBI 10- 6	26 A	0203250	10
ATP-DIK 1,5		1413272	50
SF-SL 0,6X3,5-100 S-VDE		1212587	10

Accessories			
EB 10- DIK GY	26 A	2715937	10
EB 10- DIK RD	26 A	2716774	10
EB 10- DIK BU	26 A	2716680	10
EB 80- DIK BU	26 A	2715940	1
EB 80- DIK RD	26 A	2715953	1
EB 80- DIK WH	26 A	2715788	1
ATP-DIKD 1,5		1413285	50
SF-SL 0,6X3,5-100 S-VDE		1212587	10

SK 6,2/3,8 (see Catalog 5)
ZB 6 (see Catalog 5)

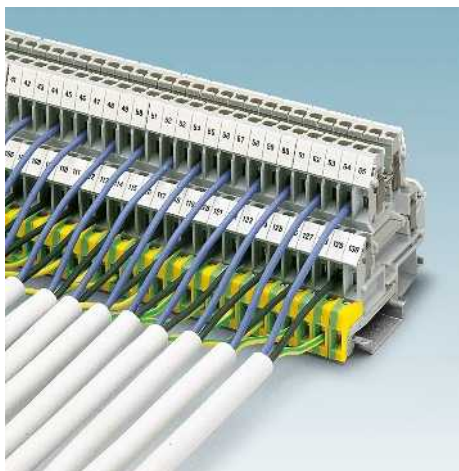
SK 6,2/3,8 (see Catalog 5)
ZB 6 (see Catalog 5)

SK 6,2/3,8 (see Catalog 5)
ZBF 6 (see Catalog 5)
ZB 6 (see Catalog 5)

Modular terminal blocks

UK universal modular terminal blocks

SLKK ... and DLK ... three and four-level terminal blocks with PE foot



SLKK 5... three-level terminal blocks

- With two laterally offset feed-through levels and ground connection to the DIN rail which acts as a grounding busbar
- This allows space-saving and systematic wiring of 3-wire cables
- This is of advantage for controllers with external actuators, solenoid valves, and limit switches
- The SLKK 5-LA...U-O with integrated light indicator optically indicates the voltage condition of the lower feed-through level
- The FBI 10-6 fixed bridge is used on the upper level to connect the return lines for the light indicators and the external loads to form a common busbar

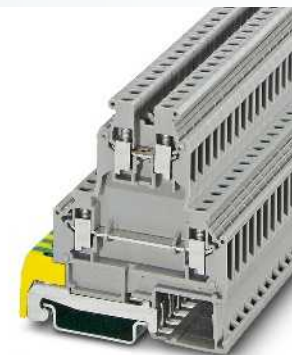
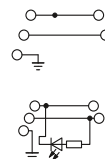
DLK ... four-level terminal blocks

- The DLK 2,5-PE and DLKB 2,5-PE three-conductor terminal blocks are particularly suitable for wiring three-phase current loads due to their structure with three feed-through levels plus a PE connection
- To reduce the amount of wire used, the DLKB 2,5-PE can also be bridged in the middle and lower levels using EB...-DIK insertion bridges with up to 80 positions

Notes:

For current carrying capacity of DIN rails, see page 716.

1) The voltage is determined by the light indicator (only for SLKK 5-LA...)



4 (4) mm², 34 A, three-level terminal block with PE foot

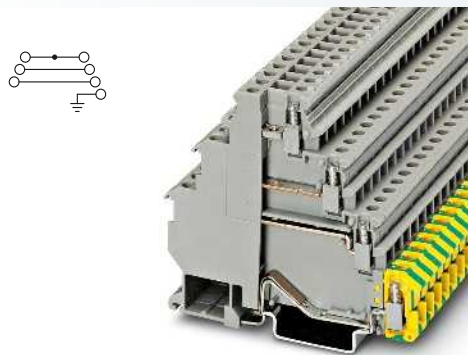


Dimensions	
	[mm]
Max. electrical data	
Rated data	
Rated voltage	[V]
Nominal current / cross section	[A] / [mm ²]
Rated cross section	[mm ²]
Cross section range	AWG
Connection capacity	
1 conductor	[mm ²]
Two conductors (of the same type)	[mm ²]
Two stranded conductors with a TWIN ferrule	[mm ²]
Max. cross section with insertion bridge	[mm ²]
General data	
Stripping length	[mm]
Screw thread	
Tightening torque	[Nm]
Insulating material	
Inflammability class according to UL 94	

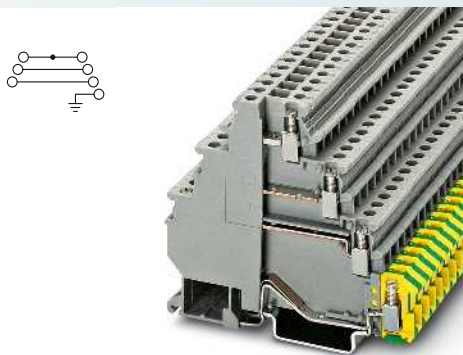
Technical data				
Width	Length	Height NS 35/7,5		
6.2	66.5	69.5		
I _{max} [A]	U _{max} [V]	max. Ø [mm ²]	AWG	
34	500 ¹⁾	0.2 - 4	24 - 10	
IEC 60947-7-1 / IEC 60947-7-2				
IEC	UL/CUL	CSA	IEC/EN 60079-7	
Rated voltage	600	600	-	
Nominal current / cross section	34 / 4	30 / -	25 / -	
Rated cross section	4	-	-	
Cross section range	24 - 10	26-10	28-12	
Connection capacity		solid	stranded	Ferrule
		Without / with plastic sleeve		
1 conductor	0.2 - 4	0.2 - 4	0.25 - 4	0.25 - 2.5
Two conductors (of the same type)	0.2 - 1.5	0.2 - 1.5	0.25 - 1.5	-
Two stranded conductors with a TWIN ferrule				0.5 - 1.5
Max. cross section with insertion bridge	4	2.5		
Ordering data				
Type	I _{max}	Order No.	Pcs. / Pkt.	
SLKK 5		0461018	50	
SLKK 5-LA 24 RD/U-O		0461021	50	
SLKK 5-LA 60 RD/U-O		0461034	50	
SLKK 5-LA230		0461047	50	
Four-conductor terminal block, for mounting on NS 35...				
Accessories				
D-UKK 3/5		2770024	50	
DG-UKK 3/5		2770817	50	
EB 2-6	26 A	0201155	100	
EB 3-6	26 A	0201142	100	
EB 10-6	26 A	0201139	10	
FBI 10-6	32 A	0203250	10	
TS-KK 3		2770215	50	
SF-SL 0,6X3,5-100 S-VDE		1212587	10	
ZB 6 (see Catalog 5)				

Description	No. of pos.	Color
Double-level terminal block, with protective conductor foot, for mounting on NS 35...		gray
Double-level terminal block, with protective conductor foot, for mounting on NS 35..., with light indicator for 15-30 V AC/DC		gray
With LED for 30-60 V AC/DC		gray
With LED for 110-230 V AC/DC		gray
Four-conductor terminal block, for mounting on NS 35...		gray

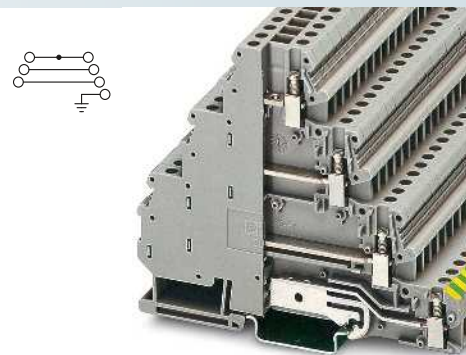
Cover, width 2.5 mm		gray
Spacer cover, compensates for level offset if standard terminal blocks are to be fitted adjacently, 2.5 mm thick		gray
Insertion bridge, for middle and lower levels, fully insulated		
	10	gray
	10	red
	10	blue
	80	blue
	80	red
	80	white
Insertion bridge, insulated		
	2	gray
	3	gray
	10	gray
Fixed bridge, insulated		
	10	silver
Separating disk, for separation of neighboring bridges, can be fitted later, no loss of pitch		gray
Screwdriver		
SF-SL 0,6X3,5-100 S-VDE		
Lateral groove labeling		
ZB 6 (see Catalog 5)		



2.5 (4) mm², 26 A, four-level terminal block with PE foot



2.5 (4) mm², 26 A, four-level terminal block with PE foot



4 (6) mm², 34 A, four-level terminal block with PE foot



Technical data			
Width	Length	Height NS 35/7,5	
6.2	83.5	70	
I_{max} [A]	U_{max} [V]	max. Ø [mm ²]	AWG
26	400	0.2 - 4	24 - 12
IEC 60947-7-1 / IEC 60947-7-2			
IEC	UL/CUL	CSA	IEC/EN 60079-7
400	300	300	-
24 / 2.5	15 / -	15 / -	-
2.5	-	-	-
24 - 12	30-14	28-12	-
solid	stranded	Ferrule Without / with plastic sleeve	
0.2 - 4	0.2 - 2.5	0.25 - 2.5	0.25 - 2.5
0.2 - 1	0.2 - 1	0.25 - 1	-
			0.5 - 1
4	2.5		
8			
M3			
0.5 - 0.6			
PA			
V0			

Technical data			
Width	Length	Height NS 35/7,5	
6.2	83	70	
I_{max} [A]	U_{max} [V]	max. Ø [mm ²]	AWG
26	400	0.2 - 4	24 - 12
IEC 60947-7-1 / IEC 60947-7-2			
IEC	UL/CUL	CSA	IEC/EN 60079-7
400	300	300	-
24 / 2.5	15 / -	15 / -	-
2.5	-	-	-
24 - 12	30-14	28-12	-
solid	stranded	Ferrule Without / with plastic sleeve	
0.2 - 4	0.2 - 2.5	0.25 - 2.5	0.25 - 2.5
0.2 - 1	0.2 - 1	0.25 - 1	-
			0.5 - 1
8			
M3			
0.5 - 0.6			
PA			
V0			

Technical data			
Width	Length	Height NS 35/7,5	
6.2	103.5	86.5	
I_{max} [A]	U_{max} [V]	max. Ø [mm ²]	AWG
34	400	0.2 - 6	24 - 10
IEC 60947-7-1 / IEC 60947-7-2			
IEC	UL/CUL	CSA	IEC/EN 60079-7
400	600	-	-
32 / 4	30 / -	-	-
4	-	-	-
24 - 10	30-10	-	-
solid	stranded	Ferrule Without / with plastic sleeve	
0.2 - 6	0.2 - 4	0.25 - 4	0.25 - 4
0.2 - 2.5	0.2 - 2.5	0.25 - 1.5	-
			0.5 - 1.5
8			
M3			
0.5 - 0.6			
PA			
V0			

Ordering data			
Type	I_{max}	Order No.	Pcs. / Pkt.
DLKB 2,5-PE		3011038	50

Ordering data			
Type	I_{max}	Order No.	Pcs. / Pkt.
DLK 2,5-PE		3011041	50

Ordering data			
Type	I_{max}	Order No.	Pcs. / Pkt.
DLK 4-PE		3011999	50

Accessories			
EB 10- DIK GY	26 A	2715937	10
EB 10- DIK RD	26 A	2716774	10
EB 10- DIK BU	26 A	2716680	10
EB 80- DIK BU	26 A	2715940	1
EB 80- DIK RD	26 A	2715953	1
EB 80- DIK WH	26 A	2715788	1
FBI 10- 6	26 A	0203250	10
SF-SL 0,6X3,5-100 S-VDE		1212587	10
ZB 6 (see Catalog 5)			

Accessories			
FBI 10- 6	26 A	0203250	10
SF-SL 0,6X3,5-100 S-VDE		1212587	10
ZB 6 (see Catalog 5)			

Accessories			
FBI 10- 6	30 A	0203250	10
SF-SL 0,6X3,5-100 S-VDE		1212587	10
ZB 6 (see Catalog 5)			

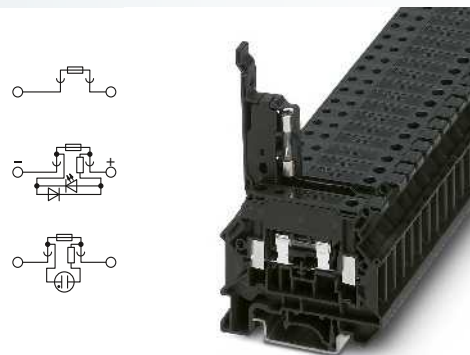
Modular terminal blocks

UK universal modular terminal blocks

UK ...-HESI...N fuse/lever-type disconnect terminal blocks

- Compact, space-saving design
- Universal disconnect zone

Notes:
1) If the fuse is faulty, the downstream circuit is not off load.
2) The current is determined by the fuse used, the voltage by the light indicator. Observe max. power dissipation.



4 (6) mm², 6.3 A, lever-type fuse terminal block, for 5 x 20 mm cartridge fuses

Dimensions	
	[mm]
Dimensions	
	[mm]
Max. electrical data	
Rated data	
Rated voltage	[V]
Nominal current / cross section	[A] / [mm ²]
Rated cross section	[mm ²]
Cross section range	AWG
Connection capacity	
1 conductor	[mm ²]
Two conductors (of the same type)	[mm ²]
Two stranded conductors with a TWIN ferrule	[mm ²]
Max. cross section with insertion bridge	[mm ²]
General data	
Stripping length	[mm]
Screw thread	
Tightening torque	[Nm]
Insulating material	
Inflammability class according to UL 94	

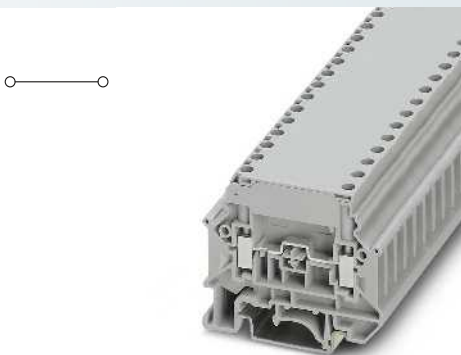
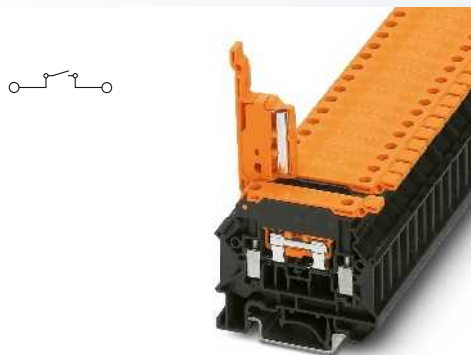
Technical data			
Width	Length	Height NS 35/7,5	
8.2	58	50	
Width	Length	Height NS 32	
8.2	58	58	
I _{max} [A]	U _{max} [V]	max. Ø [mm ²]	AWG
6.3 ²⁾	500 ²⁾	0.2 - 6	24 - 10
IEC 60947-7-3			
IEC	UL/CUL	CSA	IEC/EN 60079-7
Rated voltage	500 ²⁾	-	-
Nominal current / cross section	6.3 ²⁾ / 1.5	- / -	-
Rated cross section	4	-	-
Cross section range	24 - 10	-	-
Connection capacity		solid	stranded
1 conductor	[mm ²]	0.2 - 6	0.2 - 4
Two conductors (of the same type)	[mm ²]	0.2 - 1.5	0.2 - 1.5
Two stranded conductors with a TWIN ferrule	[mm ²]		
Max. cross section with insertion bridge	[mm ²]	4	4
General data		Ferrule	
Stripping length	[mm]	Without / with plastic sleeve	
Screw thread		0.25 - 4	0.25 - 2.5
Tightening torque	[Nm]	0.25 - 1.5	-
Insulating material			0.5 - 2.5
Inflammability class according to UL 94			

Description	No. of pos.	Color
Fuse terminal block, for mounting on NS 35..., for 5 x 20 cartridge fuse inserts		black
With LED for 12 - 30 V AC/DC, 0.7 - 1.95 mA ¹⁾		black
With LED for 30 - 60 V AC/DC, 0.9 - 1.8 mA ¹⁾		black
With light indicator for 110-250 V AC/DC, 0.1-0.5 mA ¹⁾		black
Lever-type disconnect terminal block, same shape as UK 5-HESI N		black/orange
Feed-through terminal block, for mounting on NS 35...		gray/orange

Ordering data			
Type	I _{max}	Order No.	Pcs. / Pkt.
UK 5-HESI N		3000539	50
UK 5-HESILED 24 N		3000540	50
UK 5-HESILED 60 N		3000541	50
UK 5-HESILA 250 N		3000542	50

Accessories		
Cover, width 2.2 mm		black
Insertion bridge, divisible, fully insulated		
	2	gray
	3	gray
	10	gray
Screwdriver		
Lateral groove labeling		

Accessories			
D-UK 5-HESI N		Order No.	Pcs. / Pkt.
EBS 2-8	14 A	3118151	100
EBS 3-8	14 A	3118148	50
EBS 10-8	14 A	3118135	10
SF-SL 0,6X3,5-100 S-VDE		1212587	10
UC-TM 8, UCT-TM 8 or ZB 8 (see Catalog 5)			



4 (6) mm², 16 A, lever-type disconnect terminal block, same shape

4 (6) mm², 32 A, feed-through terminal block, same shape



Technical data			
Width	Length	Height NS 35/7,5	
8.2	58	57.5	
Width	Length	Height NS 32	
8.2	58	50	
I_{max} [A]	U_{max} [V]	max. Ø [mm ²]	AWG
16	500	0.2 - 6	24 - 10
IEC 60947-7-1			
IEC	UL/CUL	CSA	IEC/EN 60079-7
500	-	-	-
16 / 1.5	- / -	-	-
4	-	-	-
24 - 10	-	-	-
solid	stranded	Ferrule	
		Without / with plastic sleeve	
0.2 - 6	0.2 - 4	0.25 - 4	0.25 - 2.5
0.2 - 1.5	0.2 - 1.5	0.25 - 1.5	-
			0.5 - 2.5
4	4		
8			
M3			
0.6 - 0.8			
PA			
V0			

Technical data			
Width	Length	Height NS 35/7,5	
8.2	58	40.3	
Width	Length	Height NS 32	
8.2	58	52.7	
I_{max} [A]	U_{max} [V]	max. Ø [mm ²]	AWG
32	800	0.2 - 6	24 - 10
IEC 60947-7-1			
IEC	UL/CUL	CSA	IEC/EN 60079-7
800	600	-	-
32 / 4	30 / -	-	-
4	-	-	-
24 - 10	20-10	-	-
solid	stranded	Ferrule	
		Without / with plastic sleeve	
0.2 - 6	0.2 - 4	0.25 - 4	0.25 - 2.5
0.2 - 1.5	0.2 - 1.5	0.25 - 1.5	-
			0.5 - 2.5
4	4		
8			
M3			
0.6 - 0.8			
PA			
V0			

Ordering data			
Type	I_{max}	Order No.	Pcs. / Pkt.
UK 5-HEDI N		3000564	50
UK 5-HEDI N GY		3000752	50

Ordering data			
Type	I_{max}	Order No.	Pcs. / Pkt.
UK 5-MTD N		3000562	50

Accessories			
D-UK 5-HESI N		3000543	50
EBS 2- 8	14 A	3118151	100
EBS 3- 8	14 A	3118148	50
EBS 10- 8	14 A	3118135	10
SF-SL 0,6X3,5-100 S-VDE		1212587	10
UC-TM 8, UCT-TM 8 or ZB 8 (see Catalog 5)			

Accessories			
D-UK 5-HESI N		3000543	50
EBS 2- 8	30 A	3118151	100
EBS 3- 8	30 A	3118148	50
EBS 10- 8	30 A	3118135	10
SF-SL 0,6X3,5-100 S-VDE		1212587	10
UC-TM 8, UCT-TM 8 or ZB 8 (see Catalog 5)			

Modular terminal blocks

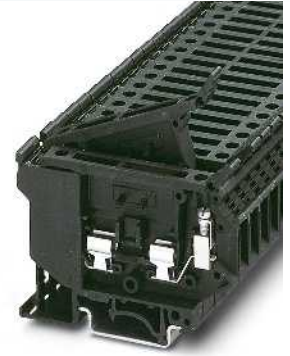
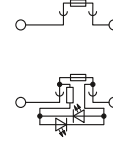
UK universal modular terminal blocks

UKK ...-HESI lever-type fuse terminal blocks



- Safety lever locked in end position
- Large area for labeling
- For 5 mm and 6.3 mm cartridge fuse inserts
- Versions with light indicator

Notes:
For further technical notes on power dissipation, see page 724
1) If the fuse is faulty, the downstream circuit is not off load.
2) The current is determined by the fuse used, the voltage by the light indicator. Observe max. power dissipation.



4 (4) mm², 6.3 A, lever-type fuse terminal block for 5 x 20 mm cartridge fuses



Dimensions		[mm]
Dimensions		[mm]
Max. electrical data		
Rated data		
Rated voltage	[V]	500 ²⁾
Nominal current / cross section	[A] / [mm ²]	6.3 ²⁾ / 1
Rated cross section	[mm ²]	4
Cross section range	AWG	24 - 12
Connection capacity		
1 conductor	[mm ²]	0.2 - 4
Two conductors (of the same type)	[mm ²]	0.2 - 1.5
Two stranded conductors with a TWIN ferrule	[mm ²]	0.2 - 1.5
Max. cross section with insertion bridge	[mm ²]	4
General data		
Fuse type / dimensions	- / [mm]	G / 5 x 20 / 5 x 25 / 5 x 30
Stripping length	[mm]	8
Screw thread		M3
Tightening torque	[Nm]	0.5 - 0.8
Insulating material		PA
Inflammability class according to UL 94		V2

Technical data			
Width	Length	Height NS 35/7,5	
8.2	72.5	56.5	
Width	Length	Height NS 32	
8.2	72.5	61.5	
I _{max} [A]	U _{max} [V]	max. Ø [mm ²]	AWG
6.3 ²⁾	500 ²⁾	0.2 - 4	24 - 12
IEC 60947-7-3	UL/CUL	CSA	IEC/EN 60079-7
500 ²⁾	600	600	-
6.3 ²⁾ / 1	12 / -	6.3 / -	-
4	-	-	-
24 - 12	26-10	28-10	-
Connection capacity		Ferrule	
		Without / with plastic sleeve	
1 conductor	[mm ²]	0.2 - 4	0.25 - 4
Two conductors (of the same type)	[mm ²]	0.2 - 1.5	0.25 - 1.5
Two stranded conductors with a TWIN ferrule	[mm ²]	0.2 - 1.5	0.25 - 1.5
Max. cross section with insertion bridge	[mm ²]	4	4

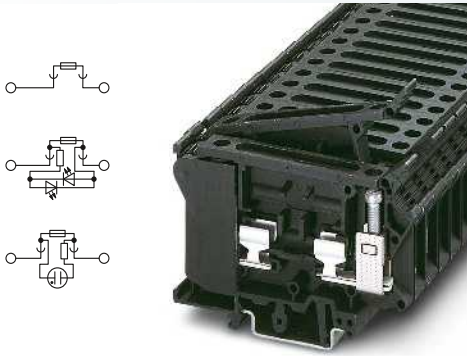
Description	No. of pos.	Color
Fuse terminal block , for mounting on NS 32... or NS 35..., for cartridge fuse inserts 5 x 20, 5 x 25 and 5 x 30 mm		black
With LED for 12-30 V AC/DC		black
With LED for 110-250 V AC/DC ¹⁾		black
Fuse terminal block , for mounting on NS 32... or NS 35..., for cartridge fuse inserts 6.3 x 32 mm.		black
With LED for 12-30 V AC/DC ¹⁾		black
With LED for 110-250 V AC/DC ¹⁾		black

Insertion bridge, divisible, fully insulated	No. of pos.	Color
	2	gray
	3	gray
	10	gray
Connection pin , for coupling several fuse terminal blocks, made of plastic, 1 m long		gray

Screwdriver	SF-SL 0,6X3,5-100 S-VDE
Lateral groove labeling	ZB 8 (see Catalog 5)
Lever labeling	

Ordering data			
Type	I _{max}	Order No.	Pcs. / Pkt.
UK 5-HESI		3004100	50
UK 5-HESILED 24		3004126	50
UK 5-HESILA 250		3004142	50

Accessories			
	I _{max}	Order No.	Pcs. / Pkt.
EBS 2- 8	32 A	3118151	100
EBS 3- 8	32 A	3118148	50
EBS 10- 8	32 A	3118135	10
VS		3004207	1



16 (16) mm², 10 A, lever-type fuse terminal block for 6.3 x 32 mm cartridge fuses



Technical data

Width	Length	Height NS 35/7,5	
10.2	79	60.5	
Width	Length	Height NS 32	
10.2	79	65	
I _{max} [A]	U _{max} [V]	max. Ø [mm ²]	AWG
10 ²	500 ²	0.5 - 16	20 - 6
IEC 60947-7-3			
IEC	UL/CUL	CSA	IEC/ EN 60079-7
500 ²	600	600	-
10 ² / 1.5	10 / -	25 / -	-
16	-	-	-
20 - 6	26-8	26-8	-
solid	stranded	Ferrule	
		Without / with plastic sleeve	
0.5 - 16	0.5 - 16	0.5 - 10	0.5 - 10
0.5 - 4	0.5 - 4	0.5 - 4	-
			0.5 - 6
10	10		

G / 6,3 x 32
12
M4
1.2 - 1.5
PA
V2

Ordering data

Type	I _{max}	Order No.	Pcs. / Pkt.
UK 6,3-HESI		3004171	50
UK 6,3-HESILED 24		3004265	50
UK 6,3-HESILA 250		3004249	50

Accessories

EB 2-10	63 A	0203153	100
VS		3004207	1
SZS 1,0X4,0 VDE		1205066	10

ZB 10 (see Catalog 5)
ZB 8 (see Catalog 5)

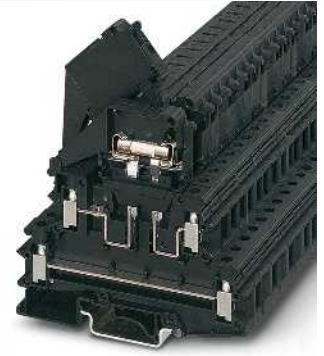
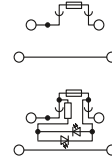
Modular terminal blocks

UK universal modular terminal blocks

UKK ...-HESI double-level fuse terminal blocks

- Compact double-level fuse terminal block
- Safety levers and each terminal point can be individually labeled
- For 5 mm and 6.3 mm cartridge fuse inserts
- Versions with light indicator

Notes:
For further technical notes on power dissipation, see page 724.
1) If the fuse is faulty, the downstream circuit is not off load.
2) The current is determined by the fuse used, the voltage by the light indicator. Observe max. power dissipation.



4 (4) mm², 32 A, double-level terminal block with fuse lever for 5 x 20 mm cartridge fuse



Dimensions	
	[mm]
Dimensions	
	[mm]
Max. electrical data	
Rated data, lower level	
Rated voltage	[V]
Nominal current / cross section	[A] / [mm ²]
Rated cross section	[mm ²]
Cross section range	AWG
Rated data, upper level	
Rated voltage	[V]
Nominal current / cross section	[A] / [mm ²]
Rated cross section	[mm ²]
Cross section range	AWG
Connection capacity	
1 conductor	[mm ²]
Two conductors (of the same type)	[mm ²]
Two stranded conductors with a TWIN ferrule	[mm ²]
Max. cross section with insertion bridge	[mm ²]
General data	
Fuse type / dimensions	- / [mm]
Stripping length	[mm]
Screw thread	
Tightening torque	[Nm]
Insulating material	
Inflammability class according to UL 94	

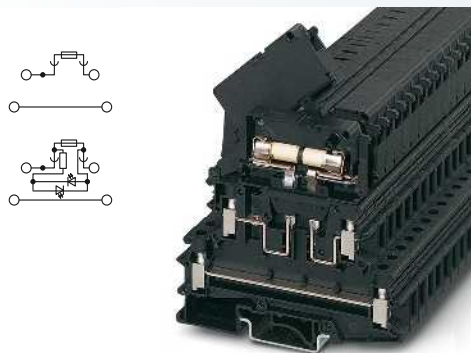
Technical data			
Width	Length	Height NS 35/7,5	
8.2	86.5	79	
Width	Length	Height NS 32	
8.2	86.5	84	
I _{max} [A]	U _{max} [V]	max. Ø [mm ²]	AWG
32 ²)	400 ²)	0.2 - 4	24 - 12
IEC 60947-7-1			
IEC	UL/CUL	CSA	IEC/EN 60079-7
Rated voltage	400 ²)	600	300
Nominal current / cross section	32 ²) / 4	30 / -	15
Rated cross section	4	-	-
Cross section range	24 - 12	26-10	28-10
IEC 60947-7-3			
Rated voltage	400 ²)	600	300
Nominal current / cross section	6.3 ²) / 1	15 / -	15
Rated cross section	4	-	-
Cross section range	24 - 12	26-10	28-10
Connection capacity		Ferrule	
		Without / with plastic sleeve	
1 conductor	0.2 - 4	0.2 - 4	0.25 - 4
Two conductors (of the same type)	0.2 - 1.5	0.2 - 1.5	0.25 - 1.5
Two stranded conductors with a TWIN ferrule			0.5 - 1.5
Max. cross section with insertion bridge	4	2.5	
G / 5 x 20			
8			
M3			
0.5 - 0.8			
PA			
V0			

Description	No. of pos.	Color
Fuse terminal block , for mounting on NS 32... or NS 35..., for cartridge fuse inserts 5 x 20 mm.		black
With LED for 15-30 V AC/DC, 0.98-2.4 mA ¹⁾		black
Fuse terminal block , for mounting on NS 32... or NS 35..., for cartridge fuse inserts 6.3 x 32 mm.		black
With LED for 12-30 V DC, 0.31-0.95 mA ¹⁾		black

Ordering data			
Type	I _{max}	Order No.	Pcs. / Pkt.
UKK 5-HESI (5X20)		3007204	50
UKK 5-HESILED 24 (5X20)		3026654	50

Fixed bridge, insulated		
	10	silver
Insertion bridge, divisible, fully insulated		
	2	gray
	3	gray
	10	gray
Screwdriver		
Lateral groove labeling		
Lever labeling		

Accessories			
Type	I _{max}	Order No.	Pcs. / Pkt.
FBRI 10-8 N	32 A	2772080	10
EBS 2-8	32 A	3118151	100
EBS 3-8	32 A	3118148	50
EBS 10-8	32 A	3118135	10
SF-SL 0,6X3,5-100 S-VDE		1212587	10
ZB 8 (see Catalog 5)			
ZBF 8 (see Catalog 5)			



4 (4) mm², 32 A, double-level terminal block with fuse lever for 6.3 x 32 mm cartridge fuse



Technical data

Width	Length	Height NS 35/7,5	
8.2	86.5	79	
Width	Length	Height NS 32	
8.2	86.5	84	
I _{max} [A]	U _{max} [V]	max. Ø [mm ²]	AWG
32 ²	400 ²	0.2 - 4	24 - 12
IEC 60947-7-1			
IEC	UL/CUL	CSA	IEC/ EN 60079-7
400 ²	600	300	-
32 ² / 4	30 / -	15	-
4	-	-	-
24 - 12	26-10	28-10	-
IEC 60947-7-3			
IEC	UL/CUL	CSA	IEC/ EN 60079-7
400 ²	600	300	-
10 ² / 1.5	15 / -	15	-
4	-	-	-
24 - 12	26-10	28-10	-
solid	stranded	Ferrule	
		Without / with plastic sleeve	
0.2 - 4	0.2 - 4	0.25 - 4	0.25 - 4
0.2 - 1.5	0.2 - 1.5	0.25 - 1.5	-
			0.5 - 1.5
4	2.5		
G / 6,3 x 32			
8			
M3			
0.5 - 0.8			
PA			
V0			

Ordering data

Type	I _{max}	Order No.	Pcs. / Pkt.
UKK 5-HESI (6,3X32)		3007217	50
UKK 5-HESILED 24 (6,3X32)		0711632	50

Accessories

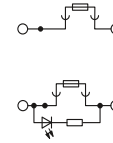
Accessories	I _{max}	Order No.	Pcs. / Pkt.
FBRI 10-8 N	32 A	2772080	10
EBS 2- 8	32 A	3118151	100
EBS 3- 8	32 A	3118148	50
EBS 10- 8	32 A	3118135	10
SF-SL 0,6X3,5-100 S-VDE		1212587	10

ZB 8 (see Catalog 5)
ZBF 8 (see Catalog 5)

UK 10-DREHSI fuse terminal blocks with screw cap

- Bridgeable with FBI ... fixed bridge
- Fuse terminal block with screw cap for 5 x 20, 5 x 25 or 6.3 x 32 mm fuse inserts
- Versions with light indicator for indicating that a fuse has blown
- When selecting and using cartridge fuse terminal inserts, IEC 60127-6/ DIN EN 60127-6 should be observed
- UK 10-DREHSI/K is suitable for fuse inserts with indicator pins. The transparent screen on the screw cap allows the blown fuse to be quickly identified in these inserts.

Notes:
For further technical notes on power dissipation, see page 724.
1) If the fuse is faulty, the downstream circuit is not off load.
2) The current is determined by the fuse used, the voltage by the light indicator. Observe max. power dissipation.



16 (16) mm², 10 A, fuse terminal block for 5 x 20 mm cartridge fuses



Dimensions	
	[mm]
Dimensions	
	[mm]
Max. electrical data	
Rated data	
Rated voltage	[V]
Nominal current / cross section	[A] / [mm ²]
Rated cross section	[mm ²]
Cross section range	AWG
Connection capacity	
1 conductor	[mm ²]
Two conductors (of the same type)	[mm ²]
Two stranded conductors with a TWIN ferrule	[mm ²]
Max. cross section with insertion bridge	[mm ²]
General data	
Fuse type / dimensions	- / [mm]
Stripping length	[mm]
Screw thread	
Tightening torque	[Nm]
Insulating material	
Inflammability class according to UL 94	

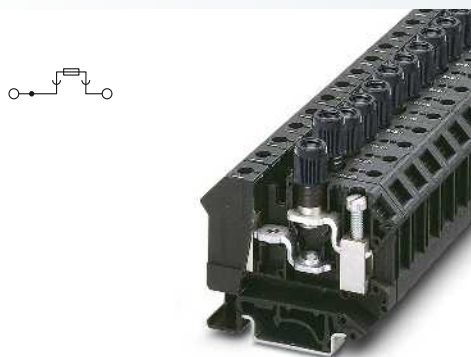
Technical data			
Width	Length	Height NS 35/7,5	
12	62	57.2	
Width	Length	Height NS 32	
12	62	62.1	
I _{max} [A]	U _{max} [V]	max. Ø [mm ²]	AWG
10 ²	500 ²	0.5 - 16	20 - 6
IEC 60947-7-3			
IEC	UL/CUL	CSA	IEC/EN 60079-7
Rated voltage	500 ²	300	300
Nominal current / cross section	10 ²) / 1.5	20 / -	20 / -
Rated cross section	16	-	-
Cross section range	20 - 6	24-6	22-6
Connection capacity		Ferrule	
		Without / with plastic sleeve	
1 conductor	0.5 - 16	0.5 - 16	0.5 - 10 0.5 - 10
Two conductors (of the same type)	0.5 - 4	0.5 - 4	0.5 - 4 -
Two stranded conductors with a TWIN ferrule			0.5 - 10
Max. cross section with insertion bridge	10	10	
General data			
Fuse type / dimensions	G / 5 x 20		
Stripping length	11		
Screw thread	M4		
Tightening torque	1.5 - 1.8		
Insulating material	PA		
Inflammability class according to UL 94	V2		

Description	No. of pos.	Color
Fuse terminal block , for mounting on NS 32... or NS 35..., for cartridge fuse inserts 5 x 20, 5 x 25, 6.3 x 32 mm		black
.../K with indicator pin		black
Fuse terminal block , for mounting on NS 32... or NS 35..., for cartridge fuse inserts 5 x 20, 6.3 x 32 mm, with light indicator for 5 - 15 V DC ¹)		black
Fuse terminal block , for mounting on NS 32... or NS 35..., for cartridge fuse inserts 5 x 20, 6.3 x 32 mm, with light indicator for 15 - 30 V DC ¹)		black
Fuse terminal block , for mounting on NS 32... or NS 35..., for cartridge fuse inserts 5 x 20, 6.3 x 32 mm, with light indicator for 30 - 60 V DC ¹)		black
Fuse terminal block , for mounting on NS 32... or NS 35..., for cartridge fuse inserts 5 x 20, 6.3 x 32 mm, with light indicator for 110 - 250 V DC ¹)		black

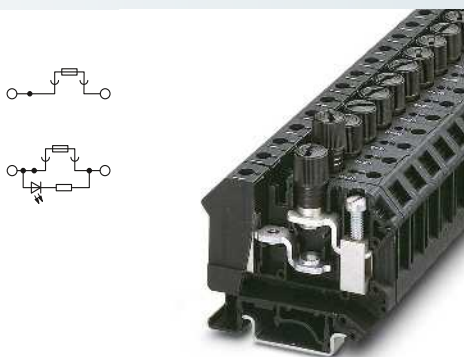
Ordering data			
Type	I _{max}	Order No.	Pcs. / Pkt.
UK 10-DREHSI (5X20)		3005109	50
UK 10-DREHSILED 12 (5X20)		3005112	50
UK 10-DREHSILED 24 (5X20)		3005138	50
UK 10-DREHSILED 60 (5X20)		3005154	50
UK 10-DREHSILA 250 (5X20)		3005170	50

Fixed bridge , insulated	10	silver
Insertion bridge , fully insulated		
Test socket , for test connection with PS test plug	10	gray
Test socket , insulated, for UK 6 N, UK 10 N and URTK/SP and USST 10 terminal blocks, M4 thread		transparent
Screwdriver		
Lateral groove labeling		

Accessories			
FBI 10-12	63 A	0203454	10
EB 10-12	63 A	3006137	10
PSB 4/7/6		0303299	10
PSBJ 4/15/6 FARBLOS		0303419	10
SZS 1,0X4,0 VDE		1205066	10
ZB 6 (see Catalog 5)			



16 (16) mm², 10 A, fuse terminal block for 5 x 25 mm cartridge fuses with indicating pin



16 (16) mm², 10 A, fuse terminal block for 6.3 x 32 mm cartridge fuses



Technical data			
Width	Length	Height NS 35/7,5	
12	62	57.2	
Width	Length	Height NS 32	
12	62	62.1	
I_{max} [A]	U_{max} [V]	max. Ø [mm ²]	AWG
10 ²)	500 ²)	0.5 - 16	20 - 6
IEC 60947-7-3			
IEC	UL/CUL	CSA	IEC/EN 60079-7
500 ²)	300	-	-
10 ²) / 1.5	20 / -	-	-
16	-	-	-
20 - 6	24-6	-	-
solid	stranded	Ferrule	
		Without / with plastic sleeve	
0.5 - 16	0.5 - 16	0.5 - 10	0.5 - 10
0.5 - 4	0.5 - 4	0.5 - 4	-
			0.5 - 10
10	10		
G / 5 x 25			
11			
M4			
1.5 - 1.8			
PA			
V2			

Technical data			
Width	Length	Height NS 35/7,5	
12	62	57.2	
Width	Length	Height NS 32	
12	62	62.1	
I_{max} [A]	U_{max} [V]	max. Ø [mm ²]	AWG
10 ²)	400 ²)	0.5 - 16	20 - 6
IEC 60947-7-3			
IEC	UL/CUL	CSA	IEC/EN 60079-7
400 ²)	300	300	-
10 ²) / 1.5	20 / -	20 / -	-
16	-	-	-
20 - 6	24-6	22-6	-
solid	stranded	Ferrule	
		Without / with plastic sleeve	
0.5 - 16	0.5 - 16	0.5 - 10	0.5 - 10
0.5 - 4	0.5 - 4	0.5 - 4	-
			0.5 - 10
10	10		
G / 6,3 x 32			
11			
M4			
1.5 - 1.8			
PA			
V2			

Ordering data			
Type	I_{max}	Order No.	Pcs. / Pkt.
UK 10-DREHSI/K (5X25)		3005688	50

Ordering data			
Type	I_{max}	Order No.	Pcs. / Pkt.
UK 10-DREHSI (6,3X32)		3005507	50
UK 10-DREHSILED 24 (6,3X32)		3005646	50
UK 10-DREHSILA 250 (6,3X32)		3005662	50

Accessories			
FBI 10-12	63 A	0203454	10
EB 10-12	63 A	3006137	10
PSB 4/7/6		0303299	10
PSBJ 4/15/6 FARBLOS		0303419	10
SZS 1,0X4,0 VDE		1205066	10
ZB 6 (see Catalog 5)			

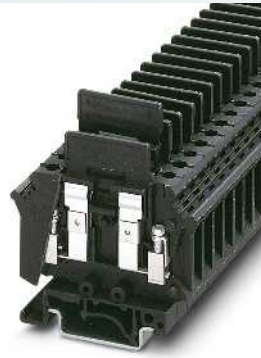
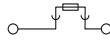
Accessories			
FBI 10-12	63 A	0203454	10
PSB 4/7/6		0303299	10
PSBJ 4/15/6 FARBLOS		0303419	10
SZS 1,0X4,0 VDE		1205066	10
ZB 6 (see Catalog 5)			

Modular terminal blocks

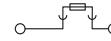
UK universal modular terminal blocks

UK-SI and USIG fuse terminal blocks

– In the case of the UK-SI fuse terminal block, the cartridge fuse inserts are connected with the integrated plug in the terminal block



4 (4) mm², 6.3 A, fuse terminal block for 5 x 20 mm and 5 x 25 mm cartridge fuses



16 (16) mm², 40 A, basic fuse terminal block for cartridge fuse plugs or isolating plugs



Notes:
For further technical notes on power dissipation, see page 724.
Note:
The cartridge fuse holders should be selected according to the maximum power dissipation (self-heating) of the cartridge fuse inserts.
For more insertion bridges, visit www.phoenixcontact.net/products
1) If the fuse is faulty, the downstream circuit is not off load.
2) The current and voltage are determined by the fuse.

Dimensions		[mm]
Dimensions		[mm]
Max. electrical data		
Rated data		
Rated voltage	[V]	400 ²⁾
Nominal current / cross section	[A] / [mm ²]	6.3 ²⁾ / 1
Rated cross section	[mm ²]	4
Cross section range	AWG	24 - 12
Connection capacity		
1 conductor	[mm ²]	0.2 - 4
Two conductors (of the same type)	[mm ²]	0.2 - 1.5
Two stranded conductors with a TWIN ferrule	[mm ²]	0.2 - 1.5
General data		
Fuse type / dimensions	- / [mm]	G / 5 x 20 / 5 x 25
Stripping length	[mm]	9
Screw thread		M3
Tightening torque	[Nm]	0.6 - 0.8
Insulating material		PA
Inflammability class according to UL 94		V0

Technical data			
Width	Length	Height NS 35/7,5	
8.2	59.5	58	
Width	Length	Height NS 32	
8.2	59.5	63	
I _{max} [A]	U _{max} [V]	max. Ø [mm ²]	AWG
6.3 ²⁾	400 ²⁾	0.2 - 4	24 - 12
IEC 60947-7-3		UL/CUL	CSA
IEC		IEC/EN 60079-7	
Rated voltage	300	250	-
Nominal current / cross section	10 / -	10 / -	-
Rated cross section	-	-	-
Cross section range	28-12	24-14	-
Connection capacity		Ferrule	
		Without / with plastic sleeve	
1 conductor	0.2 - 4	0.2 - 4	0.25 - 4
Two conductors (of the same type)	0.2 - 1.5	0.2 - 1.5	0.25 - 1.5
Two stranded conductors with a TWIN ferrule			0.5 - 2.5

Technical data			
Width	Length	Height NS 35/7,5	
10.2	61	51.6	
Width	Length	Height NS 32	
10.2	61	59.1	
I _{max} [A]	U _{max} [V]	max. Ø [mm ²]	AWG
40 ²⁾	500 ²⁾	0.5 - 16	20 - 6
IEC 60947-7-3		UL/CUL	CSA
IEC		IEC/EN 60079-7	
Rated voltage	600	600	-
Nominal current / cross section	40 / -	40 / -	-
Rated cross section	-	-	-
Cross section range	18-8	24-8	-
Connection capacity		Ferrule	
		Without / with plastic sleeve	
1 conductor	0.5 - 16	0.5 - 16	0.5 - 10
Two conductors (of the same type)	0.5 - 4	0.5 - 6	0.5 - 6
Two stranded conductors with a TWIN ferrule			0.5 - 6

Description	No. of pos.	Color
Fuse terminal block , for mounting on NS 32... or NS 35..., for cartridge fuse inserts 5 x 20, 5 x 25 mm		black
		blue
Basic fuse terminal block , for mounting on NS 32... or NS 35...		black
		blue

Ordering data			
Type	I _{max}	Order No.	Pcs. / Pkt.
UK-SI		3118012	50
UK-SI BU		3118096	50

Ordering data			
Type	I _{max}	Order No.	Pcs. / Pkt.
USIG		0920083	50
USIG BU		0920122	50

Accessories		
Insertion bridge , insulated	10	gray
Isolating plug		
Fuse plug , for cartridge fuse inserts, 6.3 x 32 mm, nominal voltage 440 V		black
Fuse plug , with light indicator, for cartridge fuse inserts 6.3 x 32 mm, nominal voltage 440 V ¹⁾ for 15 - 30 V AC/DC, 3.2 - 7.5 mA		black
for 110 - 250 V AC/DC, 0.1 - 0.9 mA		black
Fuse plug , for cartridge fuse inserts 5 x 20, 5 x 25, 5 x 30 mm		black
Fuse plug , for cartridge fuse inserts 5 x 20, 5 x 25, 5 x 30 mm, with light indicator for 15 - 30 V AC/DC, 3.2 - 7.5 mA, I _{max} 6.3 A ¹⁾		black
for 110 - 250 V AC/DC, 0.1 - 0.9 mA, I _{max} 6.3 A		black
Separating disk , 0.8 mm wide		gray
Screwdriver		
LF-SL 0,6X3,5-100 S-VDE		
LF 8 (see Catalog 5)		

Accessories			
EBS 10-8	32 A	3118135	10
EB 10-10	76 A	0203137	10
ST-T	40 A	0920216	50
ST 1-SI	10 A	0920326	50
ST 1-SILED 24	10 A	0920384	50
ST 1-SILA 250	10 A	0920397	50
ST-SI	6.3 A	0920229	50
ST-SILED 24		0920452	50
ST-SILA250		0920287	50
ATS-GSK		0304227	50
SZS 1,0X4,0 VDE		1205066	10
ZB 10 (see Catalog 5)			

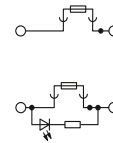
Accessories			
EBS 10-8	32 A	3118135	10
EB 10-10	76 A	0203137	10
ST-T	40 A	0920216	50
ST 1-SI	10 A	0920326	50
ST 1-SILED 24	10 A	0920384	50
ST 1-SILA 250	10 A	0920397	50
ST-SI	6.3 A	0920229	50
ST-SILED 24		0920452	50
ST-SILA250		0920287	50
ATS-GSK		0304227	50
SZS 1,0X4,0 VDE		1205066	10
ZB 10 (see Catalog 5)			

UK 6-FSI/C fuse terminal block, for type C flat-type fuses



- Compact fuse terminal block for type C auto flat-type fuses
- Available with light indicator for rapid error diagnostics.
- Bridgeable with FBI ... fixed bridge
- Large labeling option of every terminal point
- Can be used as the basic terminal block for thermal circuit breaker TCP.../DC32V; see Catalog 6
- Type F auto flat-type fuse terminal blocks are also available in the "pt push-in connection terminal blocks" section

Notes:
For corresponding fuse inserts, see Catalog 6.
The recommended continuous load capacity of fuse inserts according to DIN 72581/Part 3 is a maximum of 80% of their nominal current (at an ambient temperature of 23°C).
1) If the fuse is faulty, the downstream circuit is not off load.
2) The current and voltage are determined by the fuse.
3) For derating curve, visit www.phoenixcontact.net/products



6 (10) mm², 30 A, fuse terminal block for type C flat-type fuses



Dimensions	[mm]	Width	Length	Height NS 35/7,5
		8.2	64	52
Dimensions	[mm]	Width	Length	Height NS 32
		8.2	64	57
Max. electrical data		I_{max} [A]	U_{max} [V]	max. Ø [mm ²] AWG
		30 ³⁾	250 ²⁾	0.2 - 10 24 - 8
Rated data		IEC	UL/CUL	CSA IEC/EN 60079-7
Rated voltage	[V]	250 ²⁾	300	32 -
Nominal current / cross section	[A] / [mm ²]	30 ¹⁾ / 4	30 / -	30 / - -
Rated cross section	[mm ²]	6	-	- -
Cross section range	AWG	24 - 8	26-8	26-8 -
Connection capacity		1 conductor	[mm ²]	0.2 - 10
		Two conductors (of the same type)	[mm ²]	0.2 - 2.5
		Two stranded conductors with a TWIN ferrule	[mm ²]	0.2 - 2.5
General data		Fuse type / dimensions	- / [mm]	C
		Stripping length	[mm]	10
		Screw thread		M4
		Tightening torque	[Nm]	1.5 - 1.6
		Insulating material		PA
		Inflammability class according to UL 94		V0

Technical data				
Width	Length	Height NS 35/7,5		
8.2	64	52		
Width	Length	Height NS 32		
8.2	64	57		
I_{max} [A]	U_{max} [V]	max. Ø [mm ²]	AWG	
30 ³⁾	250 ²⁾	0.2 - 10	24 - 8	
IEC	UL/CUL	CSA	IEC/EN 60079-7	
250 ²⁾	300	32	-	
30 ¹⁾ / 4	30 / -	30 / -	-	
6	-	-	-	
24 - 8	26-8	26-8	-	
solid	stranded	Ferrule		
		Without / with plastic sleeve		
0.2 - 10	0.2 - 6	0.25 - 6	0.25 - 4	
0.2 - 2.5	0.2 - 2.5	0.25 - 2.5	-	
			0.5 - 4	

Description	No. of pos.	Color
Fuse terminal block, for mounting on NS 32... or NS 35...		black
Fuse terminal block, for mounting on NS 32... or NS 35..., with LED for 12 V DC, 1.7 mA ¹⁾		black
With light indicator for 24 V DC, 1.9 mA ¹⁾		black

Ordering data			
Type	I_{max}	Order No.	Pcs. / Pkt.
UK 6-FSI/C		3118203	50
UK 6-FSI/C-LED12		3001925	50
UK 6-FSI/C-LED24		3001938	50

Fixed bridge, insulated	10	silver
Insertion bridge, fully insulated	2	gray
	3	gray
	4	gray
	10	gray
Isolator bridge bar, divisible, with 10 screws, for switchable branches with IS-K...	10	silver
Bridge bar isolator, as distance piece for isolator bridge bar		gray
Separating disk, for separation of neighboring bridges, can be fitted later, no loss of pitch		gray
Screwdriver		
Lateral groove labeling		

Accessories			
Type	I_{max}	Order No.	Pcs. / Pkt.
FBI 10- 8	34 A	0203263	10
EB 2- 8	57 A	0202154	100
EB 3- 8	57 A	0202141	100
EB 4- 8	57 A	0202142	100
EB 10- 8	57 A	0202138	10
ISSBI 10- 8	38 A	0301534	10
IS-K 10		1303337	100
TS-KK 3		2770215	50
SZS 1,0X4,0 VDE		1205066	10
ZB 8 (see Catalog 5)			



Modular terminal blocks

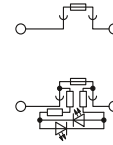
UK universal modular terminal blocks

UKK ...-HESI lever-type fuse terminal blocks



- The UK ...-HESI fuse terminal blocks are used to accommodate fuse inserts that are mainly used in the USA
- 56-pos. insertion bridges and insertion bridges for three phases are available
- Light indicator indicates that a fuse has blown
- When selecting and using cartridge fuse terminal blocks and inserts, IEC 60127-6/ DIN EN 60127-6 should be adhered to

Notes:
For detailed information on applications and power dissipation data, see www.phoenixcontact.net/products
1) If the fuse is faulty, the downstream circuit is not off load.
2) The current and voltage are determined by the fuse.



16 (25) mm², 32 A, lever-type fuse terminal block for 10.3 x 38 mm midget fuses



Dimensions	
	[mm]
Max. electrical data	
Rated data	
Rated voltage	[V]
Nominal current / cross section	[A] / [mm ²]
Rated cross section	[mm ²]
Cross section range	AWG
Connection capacity	
1 conductor	[mm ²]
Two conductors (of the same type)	[mm ²]
Two stranded conductors with a TWIN ferrule	[mm ²]
Max. cross section with insertion bridge	[mm ²]
General data	
Fuse type / dimensions	- / [mm]
Stripping length	[mm]
Screw thread	
Tightening torque	[Nm]
Insulating material	
Inflammability class according to UL 94	

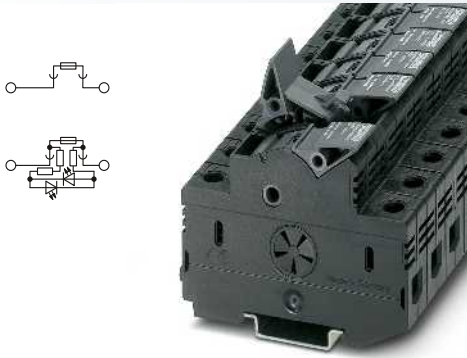
Technical data				
Width	Length	Height NS 35/7,5		
18	86.7	65.5		
I _{max} [A]	U _{max} [V]	max. Ø [mm ²]	AWG	
32 ²)	690 ²)	1.5 - 25	16 - 4	
IEC 60947-1/-3				
IEC	UL/CUL	CSA	IEC/EN 60079-7	
690 ²)	600	600	-	
32 ²) / 16	30 / -	30 / -	-	
16	-	-	-	
16 - 4	18-3	18-3	-	
Connection capacity		Ferrule		
solid	stranded	Without / with plastic sleeve		
1.5 - 25	1.5 - 16	1.5 - 16	1.5 - 16	
1.5 - 4	1.5 - 4	1.5 - 4	-	
			1.5 - 10	
10	10			
General data				
Fuse type / dimensions	Midget / 10.3 x 38			
Stripping length	12			
Screw thread	M5			
Tightening torque	2.5 - 3			
Insulating material	PA			
Inflammability class according to UL 94	V0			

Description	No. of pos.	Color
Fuse terminal block, for mounting on NS 35..., for 10.3 x 38 mm midget fuse inserts, 690 V AC/440 V DC		black
With light indicator ¹⁾		black
Fuse terminal block, for mounting on NS 35..., for fuse inserts CLASS CC 10.3 x 38 mm		black

Ordering data			
Type	I _{max}	Order No.	Pcs. / Pkt.
UK 10,3-HESI N		3048386	10
UK 10,3-HESILED N 690		3048399	10

Insertion bridge, divisible, insulated spine		
1-phase	2	gray
1-phase	3	gray
1-phase	56	gray
3-phase	56	gray
Partition plate, 2 mm wide		gray
Connection pin, for connecting several fuse terminal blocks, 2-pos.		black
3-pos.		black
Screwdriver		
Center groove labeling		

Accessories			
Type	I _{max}	Order No.	Pcs. / Pkt.
EB 2-18	76 A	3009300	50
EB 3-18	76 A	3009305	50
EB 56-18	76 A	3009299	5
EB 56-18/L1-L2-L3	76 A	3009367	5
TPN-UK		3003062	10
VS-UK 10,3-HESI N 2POL		3048532	10
VS-UK 10,3-HESI N 3POL		3048409	10
SF-SL 0,6X3,5-100 S-VDE		1212587	10
ZBF 10 (see Catalog 5)			



25 (25) mm², 30 A, lever-type fuse terminal block for CLASS J 10.3 x 38 mm



Technical data

Width	Length	Height NS 35/7,5	
18	81	65.5	
I_{max} [A]	U_{max} [V]	max. Ø [mm ²]	AWG
30 ²⁾	600 ²⁾	1.5 - 25	16 - 4
IEC	UL/CUL	CSA	IEC/ EN 60079-7
600 ²⁾	-	600	-
32 ²⁾ / 25	- / -	30 / -	-
25	-	-	-
16 - 4	-	18-4	-
solid	stranded	Ferrule	
		Without / with plastic sleeve	
1.5 - 25	1.5 - 25	1.5 - 16	1.5 - 16
1.5 - 4	1.5 - 4	1.5 - 4	-
			1.5 - 10
10	10		
Class CC			
12			
M5			
2.5 - 3			
PA			
V0			

Ordering data

Type	I_{max}	Order No.	Pcs. / Pkt.
UK 10,3-CC HESI N		3048580	10

Accessories

EB 2-18	76 A	3009300	50
EB 3-18	76 A	3009305	50
EB 56-18	76 A	3009299	5
EB 56-18/L1-L2-L3	76 A	3009367	5
TPN-UK		3003062	10
VS-UK 10,3-HESI N 2POL		3048532	10
VS-UK 10,3-HESI N 3POL		3048409	10
SF-SL 0,6X3,5-100 S-VDE		1212587	10
ZBF 10 (see Catalog 5)			

Modular terminal blocks

UK universal modular terminal blocks

UK 10,3-HESI 1000V lever-type fuse terminal blocks for photovoltaics



- Terminal blocks for protecting PV lines
- Particularly suitable for protecting mono-crystalline and polycrystalline modules
- Suitable for standard 10.3 x 38 mm fuse inserts with gPV characteristic
- Dielectric strength up to 1000 V DC
- Light indicator indicates that a fuse has blown



Fuse holders and fuses are typically used in string combiner boxes. ST 6 terminal blocks from the CLIPLINE complete product range, for example, can be used as standard feed-through terminal blocks here.



- The spacers are used for improved heat dissipation, particularly when installing the fuse terminal blocks in compact control boxes

Fuses

- Special fuses with ultra-rapid PV characteristic (gPV)
- Use in PV lines with a nominal voltage of up to 1000 V DC
- Safe shutdown even in the event of short-circuit currents that are just above the nominal current

Notes:
For tools for stripping and crimping solar cables and plugs, see Catalog 5.
For disconnect terminal blocks with 1000 V and STME ... HV diode terminal blocks, see page 254.
For detailed information on PV applications and power dissipation data, see www.phoenixcontact.net/products
For further fuse inserts with UL approval, see www.phoenixcontact.net/products
1) If the fuse is faulty, the downstream circuit is not off load.
2) The current and voltage are determined by the fuse.

Dimensions	[mm]
Max. electrical data	
Rated data	
Rated voltage	[V]
Nominal current / cross section	[A] / [mm ²]
Rated cross section	[mm ²]
Cross section range	AWG
Connection capacity	
1 conductor	[mm ²]
Two conductors (of the same type)	[mm ²]
Two stranded conductors with a TWIN ferrule	[mm ²]
Max. cross section with insertion bridge	[mm ²]
General data	
Fuse type / dimensions	- / [mm]
Stripping length	[mm]
Screw thread	
Tightening torque	[Nm]
Insulating material	
Inflammability class according to UL 94	

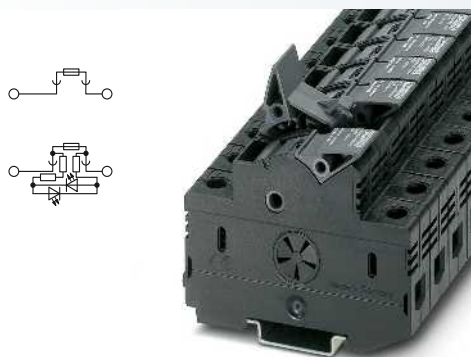
Description	No. of pos.	Color
Fuse terminal block , for mounting on NS 35..., for midjet fuse inserts (10.3 x 38 mm ¹)		black
With LED for 400 - 1000 V DC		black
Midjet fuse , 10.3 x 38 mm, nominal current: 2 A		
Nominal current: 4 A		
Nominal current: 6 A		
Nominal current: 8 A		
Nominal current: 10 A		
Nominal current: 12 A		
Nominal current: 16 A		
Nominal current: 20 A		

Insertion bridge, divisible, insulated spine		
1-phase	2	gray
1-phase	3	gray
1-phase	56	gray

Spacer for neighboring fuse terminal block

Partition plate , 2 mm wide	gray
Connection pin , for connecting several fuse terminal blocks, 2-pos.	black
3-pos.	black

Screwdriver
Center groove labeling



25 (25) mm², 32 A, 1000 V, lever-type fuse terminal block for midget fuses 10.3 x 38 mm

10.3 x 38 mm midget fuse inserts, 2 A - 20 A



Technical data			
Width	Length	Height NS 35/7,5	
18	81	65.5	
I_{max} [A]	U_{max} [V]	max. Ø [mm ²]	AWG
30 ²⁾	1000 ²⁾	0.75 - 25	18 - 3
IEC 60269-1/-2			
IEC	UL/CUL	CSA	IEC/EN 60079-7
1000 ²⁾	-	-	-
30 ²⁾ / 16	- / -	-	-
25	-	-	-
18 - 3	-	-	-
solid	stranded	Ferrule Without / with plastic sleeve	
1.5 - 25	0.75 - 25	1.5 - 16	1.5 - 16
1.5 - 4	0.75 - 10	1.5 - 4	-
10	10		1.5 - 10
Midget / 10.3 x 38			
11			
M5			
2 - 2.5			
PA			
V0			

Technical data			
Width	Length	Height NS 35/7,5	
10	38	-	
		max. Ø [mm ²]	AWG
		-	-
IEC 60269-6			
IEC	UL/CUL	CSA	IEC/EN 60079-7
-	-	-	-
-	- / -	-	-
-	-	-	-
-	-	-	-
solid	stranded	Ferrule Without / with plastic sleeve	
-	-	-	-
-	-	-	-
-			
-			
-			
-			
-			
-			

Ordering data			
Type	I_{max}	Order No.	Pcs. / Pkt.
UK 10,3-HESI 1000V		3211236	10
UK 10,3 HESILED 1000V		3211249	10

Ordering data		
Type	Order No.	Pcs. / Pkt.
FUSE 10,3X38 2A PV	3061295	10
FUSE 10,3X38 4A PV	3061305	10
FUSE 10,3X38 6A PV	3061318	10
FUSE 10,3X38 8A PV	3061321	10
FUSE 10,3X38 10A PV	3061334	10
FUSE 10,3X38 12A PV	3061347	10
FUSE 10,3X38 16A PV	3061350	10
FUSE 10,3X38 20A PV	3061363	10

Accessories			
EB 2-18	76 A	3009300	50
EB 3-18	76 A	3009305	50
EB 56-18	76 A	3009299	5
DP-UK 10,3-HESI		3211238	100
TPN-UK		3003062	10
VS-UK 10,3-HESI N 2POL		3048532	10
VS-UK 10,3-HESI N 3POL		3048409	10
SF-SL 0,6X3,5-100 S-VDE		1212587	10

Accessories		

ZBF 16 (see Catalog 5)

Modular terminal blocks

UK universal modular terminal blocks

UK screw connection - lever-type fuse terminal block for photovoltaics, 1500 V

Fuse terminal block

- Terminal block for protecting PV lines
- Particularly suitable for protecting mono-crystalline and polycrystalline modules
- Suitable for standard 10.3 x 85 mm fuse inserts with gPV characteristic
- Dielectric strength up to 1500 V DC
- Generous labeling options for the clear identification of lines

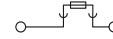
Fuses

- Special fuses with ultra-rapid PV characteristic (gPV)
- Use in PV lines with a nominal voltage of up to 1500 V DC
- Safe shutdown even in the event of short-circuit currents that are just above the nominal current

Diode terminal blocks

- For diode terminal blocks for protecting PV lines, see page 159

Notes:
The rated voltage is 1250 V and the maximum operating voltage is 1500 V.
Higher ambient temperatures are an additional strain on fuse inserts. In applications of this kind, the shift of the rated current should be taken into consideration accordingly.
For tools for stripping and crimping solar cables and plugs, see Catalog 5.
For detailed information on applications and power dissipation data, see www.phoenixcontact.net/products
¹⁾ The current and voltage are determined by the fuse.
²⁾ Maximum operating voltage 1500 V.



25 (25) mm², 32 A, 1500 V, lever-type fuse terminal block

Dimensions	[mm]
Max. electrical data	
Rated data	
Rated voltage [V]	1250 ²⁾
Nominal current / cross section [A] / [mm ²]	32 ¹⁾ / 16
Rated cross section [mm ²]	25
Cross section range AWG	18 - 3
Connection capacity	
1 conductor [mm ²]	1.5 - 25
Two conductors (of the same type) [mm ²]	1.5 - 4
Two stranded conductors with a TWIN ferrule [mm ²]	0.75 - 10
General data	
Fuse type / dimensions - / [mm]	gG / gPV / 10.3 x 85
Stripping length [mm]	11
Screw thread	M5
Tightening torque [Nm]	2.5 - 2.5
Insulating material	PA

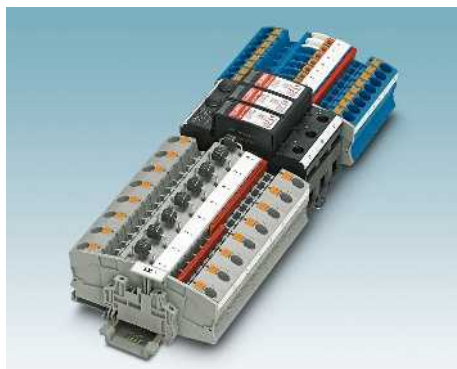
Technical data				
Width	Length	Height NS 35/7,5		
23	130	65.5		
I _{max} [A]	U _{max} [V]	max. Ø [mm ²]	AWG	
32 ¹⁾	1250 ²⁾	0.75 - 25	18 - 3	
IEC 60269-1/-2				
IEC	UL/CUL	CSA	IEC/EN 60079-7	
Rated voltage [V]	Nominal current / cross section [A] / [mm ²]	Rated cross section [mm ²]	Cross section range AWG	
1250 ²⁾	32 ¹⁾ / 16	25	18 - 3	
Connection capacity				
1 conductor [mm ²]	Two conductors (of the same type) [mm ²]	Two stranded conductors with a TWIN ferrule [mm ²]	Ferrule Without / with plastic sleeve	
1.5 - 25	1.5 - 4	0.75 - 10	1.5 - 16	1.5 - 16
General data				
Fuse type / dimensions - / [mm]	Stripping length [mm]	Screw thread	Tightening torque [Nm]	Insulating material
gG / gPV / 10.3 x 85	11	M5	2.5 - 2.5	PA

Description	Color
Fuse terminal block, for mounting on NS 35..., for 10 x 85 mm cartridge fuse inserts	black
Midget fuse, 10.3 x 85 mm, 1500 V, nominal current: 2 A	
Nominal current: 4 A	
Nominal current: 6 A	
Nominal current: 8 A	
Nominal current: 10 A	
Nominal current: 12 A	
Nominal current: 16 A	
Midget fuse, 10.3 x 85 mm, 1200 V, nominal current: 20 A	
Nominal current: 25 A	

Ordering data		
Type	Order No.	Pcs. / Pkt.
UK 10,3-HESI 1500V	3062760	5

Partition plate, 2 mm wide	gray
Screwdriver	
Center groove labeling	

Accessories		
TPN-UK	3003062	10
SF-SL 0,6X3,5-100 S-VDE	1212587	10
EML (16,5X5)R (see Catalog 5)		





Fuse insert, 10.3 x 85 mm, 2 - 16 A, 1500 V



Fuse insert, 10.3 x 85 mm, 20 - 25 A, 1200 V

Technical data			
Width	Length	Height NS 35/7,5	
10	85	-	
U _{max.} [V]	max. Ø [mm ²]	AWG	
1500	-	-	
IEC 60269-6			
IEC	UL/CUL	CSA	IEC/EN 60079-7
1500	-	-	-
-	-/-	-	-
-	-	-	-
-	-	-	-
solid	stranded	Ferrule Without / with plastic sleeve	
-	-	-	-
-	-	-	-
-	-	-	-
-	-	-	-

Technical data			
Width	Length	Height NS 35/7,5	
10	85	-	
U _{max.} [V]	max. Ø [mm ²]	AWG	
1200	-	-	
IEC 60269-6			
IEC	UL/CUL	CSA	IEC/EN 60079-7
1200	-	-	-
-	-/-	-	-
-	-	-	-
-	-	-	-
solid	stranded	Ferrule Without / with plastic sleeve	
-	-	-	-
-	-	-	-
-	-	-	-
-	-	-	-

Ordering data		
Type	Order No.	Pcs. / Pkt.
FUSE 10,3X85 2A PV	3062766	10
FUSE 10,3X85 4A PV	3062767	10
FUSE 10,3X85 6A PV	3062768	10
FUSE 10,3X85 8A PV	3062769	10
FUSE 10,3X85 10A PV	3062770	10
FUSE 10,3X85 12A PV	3062771	10
FUSE 10,3X85 16A PV	3062772	10

Ordering data		
Type	Order No.	Pcs. / Pkt.
FUSE 10,3X85 20A PV	3062773	10
FUSE 10,3X85 25A PV	3062774	10

Accessories	

Accessories	

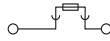
Modular terminal blocks

UK universal modular terminal blocks

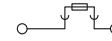
USEN ... fuse terminal blocks for NEOZED® fuse inserts

- These fuse terminal blocks are designed for NEOZED® fuses
- The NEOZED® system features an impressive high current-carrying capacity

Notes:
NEOZED® and DIAZED® are registered trademarks of Siemens AG.
1) Current carrying capacity of the insertion bridges in the case of central supply: 120 A.



35 (35) mm², 16 A, fuse terminal block for NEOZED D 01 (E14)



35 (35) mm², 63 A, fuse terminal block for NEOZED D 02 (E18)



Technical data				
Dimensions	Width	Length	Height	
	27	82.7	71.9	
Max. electrical data	I _{max.} [A]	U _{max.} [V]	max. Ø [mm ²]	AWG
	16	400	1.5 - 35	16 - 2
Rated data	IEC	UL/CUL	CSA	IEC/EN 60079-7
Rated voltage [V]	400	-	-	-
Nominal current / cross section [A] / [mm ²]	16 / 35	-	-	-
Rated cross section [mm ²]	35	-	-	-
Cross section range AWG	16 - 2	-	-	-
Connection capacity	solid	stranded	Ferrule Without / with plastic sleeve	
1 conductor [mm ²]	1.5 - 35	1.5 - 35	1.5 - 25	1.5 - 25
Two conductors (of the same type) [mm ²]	1.5 - 10	1.5 - 10	1.5 - 10	-
Two stranded conductors with a TWIN ferrule [mm ²]	-	-	-	1.5 - 10
Max. cross section with insertion bridge [mm ²]	25	25	-	-
General data	D 01 / E 14			
Fuse type / dimensions - / [mm]	19			
Stripping length [mm]	M6			
Screw thread	3.5 - 4 [Nm]			
Tightening torque [Nm]	Duroplast			
Insulating material	V0			
Inflammability class according to UL 94				



Technical data				
Dimensions	Width	Length	Height	
	27	84	75	
Max. electrical data	I _{max.} [A]	U _{max.} [V]	max. Ø [mm ²]	AWG
	63	400	1.5 - 35	16 - 2
Rated data	IEC	UL/CUL	CSA	IEC/EN 60079-7
Rated voltage [V]	400	-	-	-
Nominal current / cross section [A] / [mm ²]	63 / 35	-	-	-
Rated cross section [mm ²]	35	-	-	-
Cross section range AWG	16 - 2	-	-	-
Connection capacity	solid	stranded	Ferrule Without / with plastic sleeve	
1 conductor [mm ²]	1.5 - 35	1.5 - 35	1.5 - 25	1.5 - 25
Two conductors (of the same type) [mm ²]	1.5 - 10	1.5 - 10	1.5 - 10	-
Two stranded conductors with a TWIN ferrule [mm ²]	-	-	-	1.5 - 10
Max. cross section with insertion bridge [mm ²]	25	25	-	-
General data	D 02 / E 18			
Fuse type / dimensions - / [mm]	19			
Stripping length [mm]	M6			
Screw thread	3.5 - 4 [Nm]			
Tightening torque [Nm]	Duroplast			
Insulating material	V0			
Inflammability class according to UL 94				

Ordering data

Description	No. of pos.	Color
Fuse element , incl. screw cap, for mounting on NS 35...		light gray

Type	I _{max.}	Order No.	Pcs. / Pkt.
USEN 14 N		3048357	10

Ordering data

Type	I _{max.}	Order No.	Pcs. / Pkt.
USEN 18 N		3048360	10

Accessories

Insertion bridge , divisible, insulated spine		
1-phase	36	gray
3-phase	36	gray
NEOZED®special spring , or use of fuse inserts D 01 in screw caps D 02 (on request), for 2 - 16 A		silver
NEOZED® fuse inserts according to DIN 49522 400 V AC / 250 V DC		Pink
		brown
		green
		red
		gray
		blue
		yellow
		black
		white
		copper-colored
Screwdriver		
Marker carrier , SS-ZB contactor marking zack marker strip		black
Marker tags , 5-section, unprinted, labeling with X-PEN, B-STIFT, plotter or BKMT 20 x 8 label		white
Lettering field size: 20 x 8 mm		yellow

EB 36-27	65 A ¹⁾	3009341	1
EB 36-27/L1-L2-L3	65 A ¹⁾	3009354	1
S 2 A/380 V		0913016	10
S 4 A/380 V		0913029	10
S 6 A/380 V		0913032	10
S 10 A/380 V		0913045	10
S 16 A/380 V		0913058	10
SZS 1,0X6,5 VDE		1205079	10
MA 20X 8 BK		0814270	100
SS-ZB WH		5031171	50
SS-ZB YE		5031650	50

Accessories

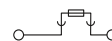
EB 36-27	65 A ¹⁾	3009341	1
EB 36-27/L1-L2-L3	65 A ¹⁾	3009354	1
SH-SE 14/18		0913317	50
S 2 A/380 V		0913016	10
S 4 A/380 V		0913029	10
S 6 A/380 V		0913032	10
S 10 A/380 V		0913045	10
S 16 A/380 V		0913058	10
S 20 A/380 V		0913061	10
S 25 A/380 V		0913074	10
S 35 A/380 V		0913087	10
S 50 A/380 V		0913090	10
S 63 A/380 V		0913100	10
SZS 1,0X6,5 VDE		1205079	10
MA 20X 8 BK		0814270	100
SS-ZB WH		5031171	50
SS-ZB YE		5031650	50

USED ... fuse terminal blocks for DIAZED® fuse inserts



- This fuse terminal block accommodates DIAZED® fuses
- The major advantage of the DIAZED® system is its dielectric strength of up to 500 V
- Original DIAZED®-E 27 threads are used in closed housings
- Conductor cross sections of up to 35 mm² can be connected with the convenient spring-cage connection

Notes:
NEOZED® and DIAZED® are registered trademarks of Siemens AG.
1) Current carrying capacity of the insertion bridges in the case of central supply: 120 A.



35 (35) mm², 25 A, fuse terminal block for DIAZED D II (E27)



Dimensions		[mm]
Max. electrical data		
Rated data		
Rated voltage	[V]	500
Nominal current / cross section	[A] / [mm ²]	25 / 35
Rated cross section	[mm ²]	35
Cross section range	AWG	16 - 2
Connection capacity		
1 conductor	[mm ²]	1.5 - 35
Two conductors (of the same type)	[mm ²]	1.5 - 10
Two stranded conductors with a TWIN ferrule	[mm ²]	1.5 - 10
Max. cross section with insertion bridge	[mm ²]	25
General data		
Fuse type / dimensions	- / [mm]	D II / E 27
Stripping length	[mm]	19
Screw thread		M6
Tightening torque	[Nm]	3.5 - 4
Insulating material		Duroplast
Inflammability class according to UL 94		V0

Technical data			
Width	Length	Height	
40	80	62.5	
I _{max} [A]	U _{max} [V]	max. Ø [mm ²]	AWG
25	500	1.5 - 35	16 - 2
IEC	UL/CUL	CSA	IEC/EN 60079-7
500	-	-	-
25 / 35	-	-	-
35	-	-	-
16 - 2	-	-	-
Connection capacity		Ferrule	
solid	stranded	Without / with plastic sleeve	
1.5 - 35	1.5 - 35	1.5 - 25	1.5 - 25
1.5 - 10	1.5 - 10	1.5 - 10	-
			1.5 - 10
25	25		

Description	No. of pos.	Color
Fuse element, incl. screw cap, for mounting on NS 35...		light gray

Ordering data			
Type	I _{max}	Order No.	Pcs. / Pkt.
USED 27 N		3048373	5

Insertion bridge, divisible, insulated spine		
1-phase	25	gray
DIAZED® fuse inserts in acc. with DIN 49360 and DIN 49515 500 V AC / 250 V DC		
		Pink
		brown
		green
		red
		gray
		blue
		yellow
Screwdriver		
Marker carrier, SS-ZB contactor marking zack marker strip		black
Marker tags, 5-section, unprinted, labeling with X-PEN, B-STIFT, plotter or BKMT 20 x 8 label		white
Lettering field size: 20 x 8 mm		yellow

Accessories			
EB 25-40	65 A ¹⁾	3048412	1
S-II- 2 A/500 V		0913605	5
S-II- 4 A/500 V		0913618	5
S-II- 6 A/500 V		0913621	5
S-II-10 A/500 V		0913634	5
S-II-16 A/500 V		0913647	5
S-II-20 A/500 V		0913650	5
S-II-25 A/500 V		0913663	5
SZS 1,0X6,5 VDE		1205079	10
MA 20X 8 BK		0814270	100
SS-ZB WH		5031171	50
SS-ZB YE		5031650	50

Modular terminal blocks

UK universal modular terminal blocks

Disconnect terminal blocks



- Disconnect terminal block with universal disconnect zone for accommodating fuse plugs, component plugs, and isolating plugs
- Design width of just 6.2 mm
- The terminal blocks are available in different basic forms
- MBK 5 mini-strip terminal blocks
- UK 5 N universal terminal blocks
- UDK 4 double terminal blocks
- UKK 5 double-level terminal blocks

Notes:
Three or four-conductor basic actuator terminal blocks DOK 1,5-TG, DOKD 1,5-TG and VIOK 1,5-D/TG/D/PE with disconnect function can be found on page 519 onwards.
For fuse, component, and isolating plugs, see page 544.
1) The current and voltage are determined by the component and fuse plug.



4 (4) mm², 16 A, disconnect terminal block



Dimensions		
Dimensions		[mm]
Dimensions		[mm]
Dimensions		[mm]
Max. electrical data		
Rated data		
Rated voltage	[V]	500 ¹⁾
Nominal current / cross section	[A] / [mm ²]	16 / 4
Rated cross section	[mm ²]	4
Cross section range	AWG	24 - 12
Rated data, upper level		
Nominal current / cross section	[A] / [mm ²]	- / -
Connection capacity		
1 conductor	[mm ²]	0.2 - 4
Two conductors (of the same type)	[mm ²]	0.2 - 1.5
Two stranded conductors with a TWIN ferrule	[mm ²]	0.25 - 1.5
Max. cross section with insertion bridge	[mm ²]	1.5
General data		
Stripping length	[mm]	9
Screw thread		M3
Tightening torque	[Nm]	0.5 - 0.6
Insulating material		PA
Inflammability class according to UL 94		V2

Technical data			
Width	Length	Height NS 35/7,5	
6.2	28	-	
Width	Length	Height NS 15	
6.2	28	36	
Width	Length	Height NS 32	
6.2	28	-	
I _{max} [A]	U _{max} [V]	max. Ø [mm ²]	AWG
16 ¹⁾	500 ¹⁾	0.2 - 4	24 - 12
IEC 60947-7-1			
IEC	UL/CUL	CSA	IEC/EN 60079-7
500 ¹⁾	300	300	
16 / 4	20 / -	15 / -	-
4	-	-	-
24 - 12	28-12	28-12	-
IEC			
IEC	UL/CUL	CSA	IEC/EN 60079-7
- / -	- / -	- / -	- / -
Ferrule			
		Without / with plastic sleeve	
0.2 - 4	0.2 - 4	0.25 - 2.5	0.25 - 2.5
0.2 - 1.5	0.2 - 1.5	0.25 - 1.5	-
			0.5 - 1.5
1.5	1.5		

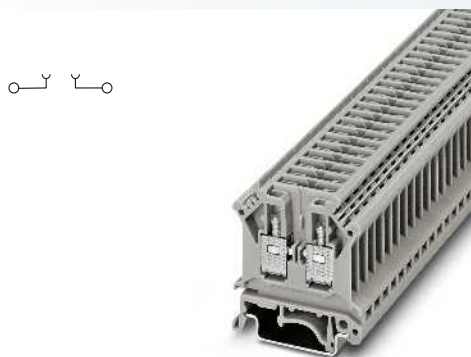
Description	No. of pos.	Color
Basic terminal block, for component and fuse plugs		gray
Basic terminal block, with test socket screws on both sides		gray

Cover, width 1 mm		gray
Cover, width 1.8 mm		gray
Cover, width 1.5 mm		gray
Fixed bridge, insulated	10	silver
Insertion bridge, insulated		
	2	gray
	3	gray
	10	gray
Isolator bridge bar, divisible, with 10 screws, for switchable branches with IS-K...		silver
Bridge bar isolator, as distance piece for isolator bridge bar		gray
Partition plate, 1.5 mm wide		gray

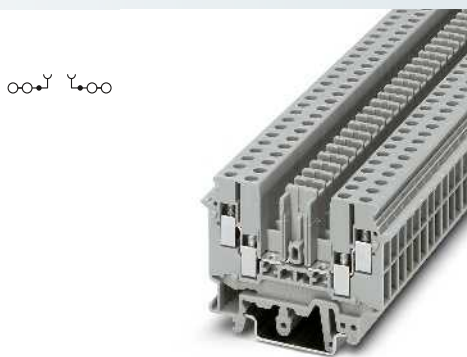
Screwdriver		
Lateral groove labeling		

Ordering data			
Type	I _{max}	Order No.	Pcs. / Pkt.
MBK 5/E-TG		1415089	50

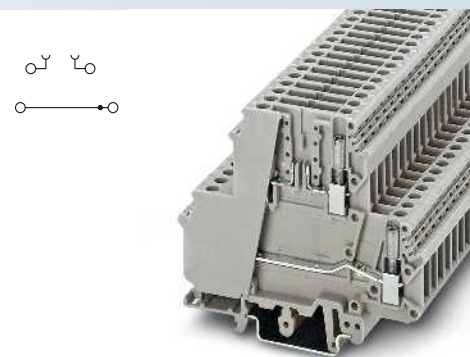
Accessories			
Type	I _{max}	Order No.	Pcs. / Pkt.
D-MBK 5/E-T		1413706	50
EB 2- 6	16 A	0201155	100
EB 3- 6	16 A	0201142	100
EB 10- 6	16 A	0201139	10
SF-SL 0,6X3,5-100 S-VDE		1212587	10



4 (4) mm², 16 A, disconnect terminal block



4 (6) mm², 16 A, disconnect terminal block



4 (4) mm², 16 A, double-level terminal block with disconnect zone



Technical data			
Width	Length	Height NS 35/7,5	
6.2	42.5	47	
Width	Length	Height NS 15	
6.2	42.5	-	
Width	Length	Height NS 32	
6.2	42.5	52	
I_{max} [A]	U_{max} [V]	max. Ø [mm ²]	AWG
16 ¹⁾	500 ¹⁾	0.2 - 4	24 - 12
IEC 60947-7-1			
IEC	UL/CUL	CSA	IEC/EN 60079-7
500 ¹⁾	600	600	
16 / 4	20 / -	15 / -	-
4	-	-	-
24 - 12	28-12	28-12	-
IEC	UL/CUL	CSA	IEC/EN 60079-7
- / -	- / -	- / -	- / -
solid	stranded	Ferrule	
		Without / with plastic sleeve	
0.2 - 4	0.2 - 4	0.25 - 2.5	0.25 - 2.5
0.2 - 1.5	0.2 - 1.5	0.25 - 1.5	-
			0.5 - 1.5
1.5	1.5		
9			
M3			
0.5 - 0.6			
PA			
V2			

Technical data			
Width	Length	Height NS 35/7,5	
6.2	63.5	47	
Width	Length	Height NS 15	
6.2	63.5	-	
Width	Length	Height NS 32	
6.2	63.5	52	
I_{max} [A]	U_{max} [V]	max. Ø [mm ²]	AWG
16 ¹⁾	400	0.2 - 6	24 - 10
IEC 60947-7-1			
IEC	UL/CUL	CSA	IEC/EN 60079-7
400	300	-	
16 / 4	15 / -	- / -	-
4	-	-	-
24 - 10	30-12	-	-
IEC	UL/CUL	CSA	IEC/EN 60079-7
- / -	- / -	- / -	- / -
solid	stranded	Ferrule	
		Without / with plastic sleeve	
0.2 - 6	0.2 - 4	0.25 - 4	0.25 - 1.5
0.2 - 1	0.2 - 1.5	0.25 - 1.5	-
			0.5 - 1
2.5	2.5		
8			
M3			
0.6 - 0.8			
PA			
V2			

Technical data			
Width	Length	Height NS 35/7,5	
6.2	80	68.5	
Width	Length	Height NS 15	
6.2	80	-	
Width	Length	Height NS 32	
6.2	80	73	
I_{max} [A]	U_{max} [V]	max. Ø [mm ²]	AWG
26	400 ¹⁾	0.2 - 4	24 - 12
IEC 60947-7-1			
IEC	UL/CUL	CSA	IEC/EN 60079-7
400 ¹⁾	300	300	
26 / 4	25 / -	15 / -	-
4	-	-	-
24 - 12	26-12	28-12	-
IEC	UL/CUL	CSA	IEC/EN 60079-7
16 / 4	15 / -	- / -	- / -
solid	stranded	Ferrule	
		Without / with plastic sleeve	
0.2 - 4	0.2 - 4	0.25 - 4	0.25 - 2.5
0.2 - 1.5	0.2 - 1.5	0.25 - 1.5	-
			0.5 - 2.5
4	4		
8			
M3			
0.6 - 0.8			
PA			
V2			

Ordering data			
Type	I_{max}	Order No.	Pcs. / Pkt.
UK 4-TG		2812018	50
UK 4-TG-P/P		2812034	50

Ordering data			
Type	I_{max}	Order No.	Pcs. / Pkt.
UDK 4-TG		2777014	50

Ordering data			
Type	I_{max}	Order No.	Pcs. / Pkt.
UKK 5-TG		3007042	50

Accessories			
D-UK 4/10		3003020	50
EB 2-6	16 A	0201155	100
EB 3-6	16 A	0201142	100
EB 10-6	16 A	0201139	10
ATP-UK		3003224	50
SF-SL 0,6X3,5-100 S-VDE		1212587	10
ZB 6 (see Catalog 5)			

Accessories			
D-UDK-RELG		2777027	50
FBI 10-6	16 A	0203250	10
EB 2-6	16 A	0201155	100
EB 3-6	16 A	0201142	100
EB 10-6	16 A	0201139	10
SF-SL 0,6X3,5-100 S-VDE		1212587	10
ZB 6 (see Catalog 5)			

Accessories			
FBI 10-6	26 A	0203250	10
EB 2-6	22 A	0201155	100
EB 3-6	22 A	0201142	100
EB 10-6	22 A	0201139	10
ISSBI 10-6	26 A	0301505	10
IS-K 4		1302338	100
SZG 0,6X3,5 VDE		1205121	10
ZB 6 (see Catalog 5)			

Modular terminal blocks

UK universal modular terminal blocks

Plugs for all disconnect terminal blocks in the UK series

- The ST-SI-UK 4 fuse plug for 5 x 20 mm cartridge fuse inserts is available with and without a light indicator
- The ST-BE component plug is available as an individual plug for two-pos. components and as a double plug



Fuse plug for 5 x 20 mm cartridge fuses



Component plug for 2 and 4-pos. components

Notes:
1) If the fuse is faulty, the downstream circuit is not off load.
2) Integrated: Diode 1N 4007, reverse voltage: 1300 V, maximum continuous current: 1.0 A.
3) With single arrangement.
4) Integrated: rectifier module B 250 C 1500, reverse voltage: 600 V, nominal voltage: 250 V, nominal current: 1.5 A.



Rated data	
Rated voltage	[V]
Nominal current / cross section	[A] / [mm ²]
Rated cross section	[mm ²]
Cross section range	AWG
General data	
Tightening torque	[Nm]
Insulating material	PA
Inflammability class according to UL 94	V2

Technical data				
IEC	UL/CUL	CSA	IEC/EN 60079-7	
250	300	300	-	-
6.3	6.3 / -	10 / -	-	-
-	-	-	-	-
-	-	-	-	-

Technical data				
IEC	UL/CUL	CSA	IEC/EN 60079-7	
-	300	-	-	-
16	10 / -	-	-	-
-	-	-	-	-
-	30-14	-	-	-

Description	Color
Fuse plug , for cartridge fuse inserts 5 x 20 mm, 26.5 mm high, max 6.3 A	black
Fuse plug , for cartridge fuse inserts, 5 x 20 mm, 26.5 mm high, max. 6.3 A, with light indicator, for 5-15 V AC/DC ¹⁾	black
With LED for 15-30 V AC/DC	black
With LED for 30-60 V AC/DC	black
With LED for 110-250 V AC/DC	black
Component plug , for switching on 2-pos. components in the basic terminal block, fixing at screw terminal points, 19 mm high, max 16 A ³⁾	gray
Component plug , to connect 2-pos. components into the basic terminal block, 19 mm high, with LED for 24 V AC/DC	gray
With LED for 230 V AC/DC	gray
Component plug , to connect 2-pos. components into the basic terminal block, with diode 1N 4007, 19 mm high ²⁾	gray
Component plug , for 4-pos. components, two basic terminal blocks required per plug, 19 mm high	gray
Component plug , for 4-pos. components, two basic terminal blocks required per plug, with bridge rectifier B 250 C 1500, 19 mm high ⁴⁾	gray
Isolating plug , 13.5 mm high, max. 16 A	

Ordering data		
Type	Order No.	Pcs. / Pkt.
ST-SI-UK 4	0921011	50
ST-SILED 12-UK 4	0921024	50
ST-SILED 24-UK 4	0921037	50
ST-SILED 60-UK 4	0921040	50
ST-SILA250-UK 4	0921053	50

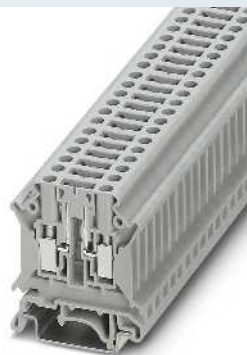
Ordering data		
Type	Order No.	Pcs. / Pkt.
ST-BE	2802316	10
ST-BE-LA 24	2802374	10
ST-BE-LA230	2802387	10
ST-1N4007	2802329	10
ST-BE-VP	2802332	10
ST-B250C1500	2802345	10
ST-K 4	5025462	50

Accessories	
Plug pliers , simplify removing the isolating plug from a closed row of terminal blocks	
Center groove labeling	

Accessories		
Type	Order No.	Pcs. / Pkt.
TZ	0306704	10
ZB 6 (see Catalog 5)		

Disconnect terminal block, isolating and fuse plugs

- Compact, space-saving design
- Universal disconnect zone



4 (6) mm², 16 A, disconnect terminal block



Function plug for universal disconnect zone

Notes:
For corresponding function plugs, see www.phoenixcontact.net/products .
1) If the fuse is faulty, the downstream circuit is not off load.
2) Observe max. load current.
3) Observe max. load current, depending on the power dissipation of the components. Max. 0.5 W with single arrangement.
4) Current and voltage are determined by the plug used.



Technical data				
Dimensions	Width	Length	Height NS 35/7,5	
	6.2	42.5	47	
Dimensions	Width	Length	Height NS 32	
	6.2	42.5	52	
Max. electrical data	I _{max.} [A]	U _{max.} [V]	max. Ø [mm ²]	AWG
	16 ⁴⁾	500 ⁴⁾	0.2 - 6	24 - 10
Rated data	IEC 60947-7-1	UL/CUL	CSA	IEC/EN 60079-7
	IEC	UL/CUL	CSA	IEC/EN 60079-7
Rated voltage	[V]	500 ⁴⁾	-	-
Nominal current / cross section	[A] / [mm ²]	16 ⁴⁾ / 1.5	- / -	-
Rated cross section	[mm ²]	4	-	-
Cross section range	AWG	24 - 10	-	-
Connection capacity	solid	stranded	Ferrule Without / with plastic sleeve	
1 conductor	[mm ²]	0.2 - 6	0.2 - 4	0.25 - 4 0.25 - 2.5
Two conductors (of the same type)	[mm ²]	0.2 - 1.5	0.2 - 1.5	0.25 - 1.5 -
Two stranded conductors with a TWIN ferrule	[mm ²]			0.5 - 2.5
Max. cross section with insertion bridge	[mm ²]	4	4	
General data	Stripping length	[mm]	8	
	Screw thread		M3	
	Tightening torque	[Nm]	0.6 - 0.8	
	Insulating material		PA	
	Inflammability class according to UL 94		V0	



Technical data				
Dimensions	Width	Length	Height NS 35/7,5	
	3.5	10.8	-	
Dimensions	Width	Length	Height NS 32	
	3.5	10.8	-	
Max. electrical data	I _{max.} [A]	max. Ø [mm ²]		AWG
	20	-		-
Rated data	IEC	UL/CUL	CSA	IEC/EN 60079-7
	IEC	UL/CUL	CSA	IEC/EN 60079-7
Rated voltage	[V]	-	-	-
Nominal current / cross section	[A] / [mm ²]	- / -	15 / -	-
Rated cross section	[mm ²]	4	-	-
Cross section range	AWG	24 - 10	-	-
Connection capacity	solid	stranded	Ferrule Without / with plastic sleeve	
1 conductor	[mm ²]	0.2 - 6	0.2 - 4	0.25 - 4 0.25 - 2.5
Two conductors (of the same type)	[mm ²]	0.2 - 1.5	0.2 - 1.5	0.25 - 1.5 -
Two stranded conductors with a TWIN ferrule	[mm ²]			0.5 - 2.5
Max. cross section with insertion bridge	[mm ²]	4	4	
General data	Stripping length	[mm]	8	
	Screw thread		M3	
	Tightening torque	[Nm]	0.6 - 0.8	
	Insulating material		PA	
	Inflammability class according to UL 94		V2	

Ordering data				
Description	No. of pos.	Color	Type	I _{max.}
Disconnect terminal block, for mounting on NS 35 DIN rail		gray	UK 5 N-TG	3000604
Isolating plug ²⁾		orange		
Feed-through plug ²⁾		gray		
Component plug, labeled with ZBF 5 or UC-TMF 5 ³⁾		gray		
Fuse plug, width 5.2 mm ¹⁾		black		
With LED for 12-30 V DC, 0.31-0.95 mA				
For 30-60 V AC/DC, 0.40-0.86 mA		black		
For 110-250 V AC/DC, 0.41-0.96 mA		black		
Fuse plug, width 8.2 mm		black		
With LED for 12-30 V DC, 0.31-0.95 mA		black		
For 30-60 V AC/DC, 0.40-0.86 mA		black		
For 110-250 V AC/DC, 0.41-0.96 mA		black		
Order No.			Pcs. / Pkt.	

Ordering data		
Type	Order No.	Pcs. / Pkt.
P-DI	3036783	50
P-FIX	3038956	50
P-CO	3036796	10
P-FU 5X20-5	3209235	10
P-FU 5X20 LED 24	3036819	10
P-FU 5X20 LED 60	3036822	10
P-FU 5X20 LA 250	3036835	10
P-FU 6,3X32	3046498	10
P-FU 6,3X32 LED 24	3046508	10
P-FU 6,3X32 LED 60	3046511	10
P-FU 6,3X32 LA 250	3046524	10

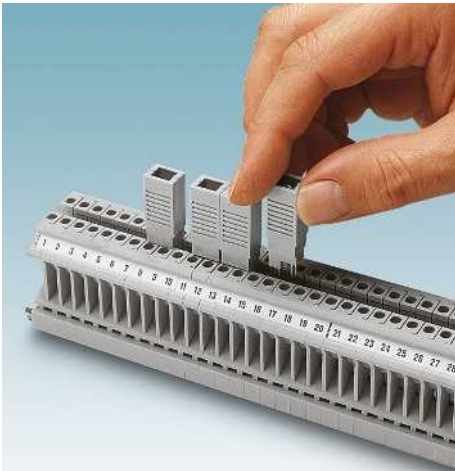
Accessories				
Description	Order No.	Pcs. / Pkt.	Type	I_{max.}
Cover, width 1.8 mm	3003020	50	D-UK 4/10	
Insertion bridge, insulated			EB 2-6	16 A
			EB 3-6	16 A
			EB 10-6	16 A
Screwdriver	1212587	10	SF-SL 0,6X3,5-100 S-VDE	
Lateral groove labeling	UC-TM 6, UCT-TM 6 or ZB 6 (see Catalog 5)			

Accessories		
Description	Order No.	Pcs. / Pkt.
Cover, width 1.8 mm		
Insertion bridge, insulated		
Screwdriver		
Lateral groove labeling		

Modular terminal blocks

UK universal modular terminal blocks

BES 6 component plugs



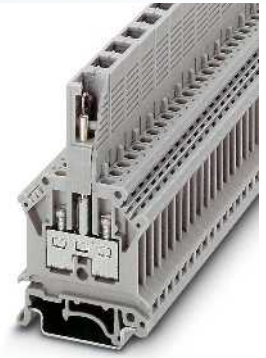
- Advantageous when adding any 2-pos. components, such as diodes or varistors, between two neighboring feed-through terminal blocks at a later date
- Supplied as a set with two socket
- The sockets are screwed into the center thread of the feed-through terminal blocks. They are of different lengths, which determines the correct functional direction (corresponds to the vertically offset multiple-spring wire plugs) and prevents confusion later on.
- If several BES 6 plugs are fitted next to each other, separating disks should be provided between the pairs of terminal blocks in order to prevent incorrect plugging
- To insert the components, the upper half of the housing is lifted, thus exposing the plug pins for soldering
- Versions are available with a light indicator or diode. These serve as a protective circuit for DC loads.

The plugs can be used with the following terminal blocks:

- MBK 5: Dimension a = 64 mm on DIN rail NS 15
- MBK 5/E-Z: Dimension a = 68 mm on DIN rail NS 15
- UK 5 N: Dimension a = 75 mm on DIN rail NS 35/7,5
- UKK 5: Dimension a = 92 mm on DIN rail NS 35/7,5
- UKKB 5: Dimension a = 92 mm on DIN rail NS 35/7,5
- UVKB 4: Dimension a = 76 mm on DIN rail NS 35/7,5

Notes:

1) Integrated: Diode 1N 4007, reverse voltage: 1300 V, maximum continuous current: 1.0 A.



Component plug



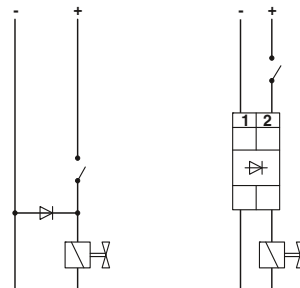
Technical data

PA
V2

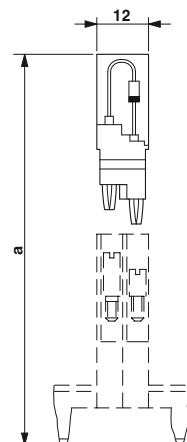
Ordering data

General data	
Insulating material	PA
Inflammability class according to UL 94	V2
Description	Color
Component plug , complete, for connection of components between two neighboring feed-through terminal blocks	gray
Component plug , complete, for connection of components between two neighboring feed-through terminal blocks, with diode 1N 4007 ¹⁾	gray
Component plug , with light indicator, 15 - 30 V DC	gray
Component plug , with light indicator, 110-250 V AC/DC	gray

Type	Order No.	Pcs. / Pkt.
BES 6	2802549	10
BES 6-1N4007	2802552	10
BES 6-LA 24	2802565	10
BES 6-LA230	2802578	10



Damping diode with feed-through terminal blocks and BES 6



Construction: BES 6

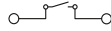
Modular terminal blocks

UK universal modular terminal blocks

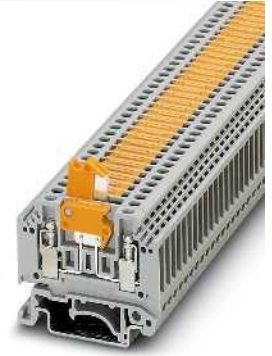
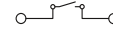
MTK ... knife disconnect terminal blocks

For maintenance work or rapid troubleshooting, these disconnect terminal blocks are used in measurement and control systems:

- Convenient disconnect knife operation
- Space-saving design
- High current-carrying capacity up to 16 A
- Versions with integrated test socket screws



2.5 (4) mm², 16 A, knife disconnect terminal block with test socket screw



2.5 (4) mm², 16 A, knife disconnect terminal block



Dimensions		[mm]
Dimensions		[mm]
Max. electrical data		
Rated data		
Rated voltage	[V]	400
Nominal current / cross section	[A] / [mm ²]	16 / 2.5
Rated cross section	[mm ²]	2.5
Cross section range	AWG	24 - 12
Connection capacity		
1 conductor	[mm ²]	0.2 - 4
Two conductors (of the same type)	[mm ²]	0.2 - 1.5
Two stranded conductors with a TWIN ferrule	[mm ²]	0.2 - 1.5
Max. cross section with insertion bridge	[mm ²]	4
General data		
Stripping length	[mm]	7
Screw thread		M3
Tightening torque	[Nm]	0.5 - 0.6
Insulating material		PA
Inflammability class according to UL 94		V0

Technical data				
Width	Length	Height NS 35/7,5		
5.2	46	51.5		
Width	Length	Height NS 32		
5.2	46	56		
I _{max} [A]	U _{max} [V]	max. Ø [mm ²]	AWG	
16	400	0.2 - 4	24 - 12	
IEC 60947-7-1				
IEC	UL/CUL	CSA	IEC/EN 60079-7	
400	300	300	-	
16 / 2.5	10 / -	15 / -	-	
2.5	-	-	-	
24 - 12	28-12	28-12	-	
Connection capacity				
	solid	stranded	Ferrule	
			Without / with plastic sleeve	
0.2 - 4	0.2 - 2.5	0.25 - 2.5	0.25 - 1.5	
0.2 - 1.5	0.2 - 1.5	0.25 - 1.5	-	
			0.5 - 1.5	
4	2.5			
General data				
Stripping length	[mm]	7		
Screw thread		M3		
Tightening torque	[Nm]	0.5 - 0.6		
Insulating material		PA		
Inflammability class according to UL 94		V0		

Technical data				
Width	Length	Height NS 35/7,5		
5.2	46	51.5		
Width	Length	Height NS 32		
5.2	46	56		
I _{max} [A]	U _{max} [V]	max. Ø [mm ²]	AWG	
16	400	0.2 - 4	24 - 12	
IEC 60947-7-1				
IEC	UL/CUL	CSA	IEC/EN 60079-7	
400	300	300	-	
16 / 2.5	10 / -	15 / -	-	
2.5	-	-	-	
24 - 12	28-12	28-12	-	
Connection capacity				
	solid	stranded	Ferrule	
			Without / with plastic sleeve	
0.2 - 4	0.2 - 2.5	0.25 - 2.5	0.25 - 1.5	
0.2 - 1.5	0.2 - 1.5	0.25 - 1.5	-	
			0.5 - 1.5	
4	2.5			
General data				
Stripping length	[mm]	7		
Screw thread		M3		
Tightening torque	[Nm]	0.5 - 0.6		
Insulating material		PA		
Inflammability class according to UL 94		V0		

Description	No. of pos.	Color
Knife disconnect terminal block, for mounting on NS 32... or NS 35..., with test socket screws on both sides		gray
		blue
Knife disconnect terminal block, for mounting on NS 32... or NS 35..., with screw connection on both sides		gray
		blue
Feed-through terminal block, without disconnect knife, with test socket screws		gray
With screw connection		gray
Knife disconnect terminal block, for mounting on NS 32... or NS 35..., with test socket screws on both sides, bridgeable in both levels		gray
		blue
Without test socket screws		gray
Knife disconnect terminal block, for mounting on NS 35...		gray

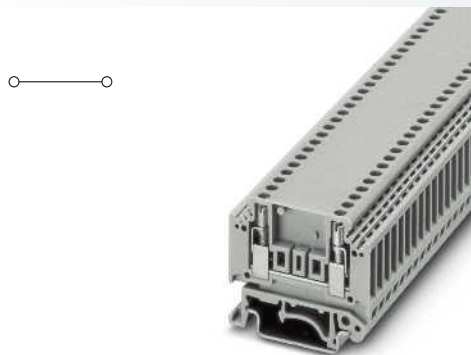
Ordering data			
Type	I _{max}	Order No.	Pcs. / Pkt.
MTK-P/P		3104013	50
MTK-P/P BU		3104097	50
MTK		3101016	50
MTK BU		3101197	50

Ordering data			
Type	I _{max}	Order No.	Pcs. / Pkt.
MTK-P/P		3104013	50
MTK-P/P BU		3104097	50
MTK		3101016	50
MTK BU		3101197	50

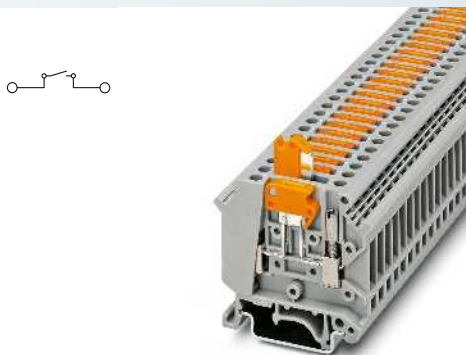
Accessories	
Cover, width 1 mm	gray blue
Insertion bridge, insulated	2 gray 3 gray 10 gray
Partition plate, for visual and electrical separation of terminal groups, 1.0 mm thick	gray
Screwdriver	
Lateral groove labeling	

Accessories			
Part No.	Description	I _{max}	Pcs. / Pkt.
3101029	D-MTK		50
3101090	D-MTK BU		50
2303145	EBL 2- 5	12 A	10
2303158	EBL 3- 5	12 A	10
2303132	EBL 10- 5	12 A	10
3101223	ATS-MTK		50
1205121	SZG 0,6X3,5 VDE		10
ZB 5 (see Catalog 5)			

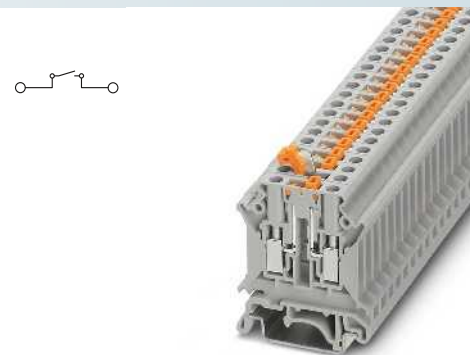
Accessories			
Part No.	Description	I _{max}	Pcs. / Pkt.
3101029	D-MTK		50
3101090	D-MTK BU		50
2303145	EBL 2- 5	12 A	10
2303158	EBL 3- 5	12 A	10
2303132	EBL 10- 5	12 A	10
3101223	ATS-MTK		50
1205121	SZG 0,6X3,5 VDE		10
ZB 5 (see Catalog 5)			



2.5 (4) mm², 16 A, feed-through terminal block, with test socket screw



4 (6) mm², 16 A, knife disconnect terminal block with test socket screw



4 (6) mm², 16 A, knife disconnect terminal block



Technical data			
Width	Length	Height NS 35/7,5	
5.2	46	51.5	
Width	Length	Height NS 32	
5.2	46	56	
I _{max} [A]	U _{max} [V]	max. Ø [mm ²]	AWG
16	400	0.2 - 4	24 - 12
IEC 60947-7-1			
IEC	UL/CUL	CSA	IEC/EN 60079-7
400	300	600	-
16 / 2.5	10 / -	20 / -	-
2.5	-	-	-
24 - 12	28-12	28-12	-
solid	stranded	Ferrule	
		Without / with plastic sleeve	
0.2 - 4	0.2 - 2.5	0.25 - 2.5	0.25 - 1.5
0.2 - 1.5	0.2 - 1.5	0.25 - 1.5	-
			0.5 - 1.5
4	2.5		
7			
M3			
0.5 - 0.6			
PA			
V0			

Technical data			
Width	Length	Height NS 35/7,5	
6.2	51	58.5	
Width	Length	Height NS 32	
6.2	51	63.5	
I _{max} [A]	U _{max} [V]	max. Ø [mm ²]	AWG
16	500	0.2 - 6	24 - 10
IEC 60947-7-1			
IEC	UL/CUL	CSA	IEC/EN 60079-7
500	600	300	-
16 / 2.5	15 / -	15 / -	-
4	-	-	-
24 - 10	22-12	18-10	-
solid	stranded	Ferrule	
		Without / with plastic sleeve	
0.2 - 6	0.2 - 4	0.25 - 4	0.25 - 2.5
0.2 - 1.5	0.2 - 1.5	0.25 - 1.5	-
			0.5 - 2.5
4	4		
8			
M3			
0.5 - 0.6			
PA			
V0			

Technical data			
Width	Length	Height NS 35/7,5	
6.2	42.5	48.7	
Width	Length	Height NS 32	
6.2	42.5	53.6	
I _{max} [A]	U _{max} [V]	max. Ø [mm ²]	AWG
16	500	0.2 - 6	24 - 10
IEC 60947-7-1			
IEC	UL/CUL	CSA	IEC/EN 60079-7
500	600	-	-
16 / 1.5	15 / -	-	-
4	-	-	-
24 - 10	20-10	-	-
solid	stranded	Ferrule	
		Without / with plastic sleeve	
0.2 - 6	0.2 - 4	0.25 - 4	0.25 - 2.5
0.2 - 1.5	0.2 - 1.5	0.25 - 1.5	-
			0.5 - 2.5
4	4		
8			
M3			
0.6 - 0.8			
PA			
V0			

Ordering data			
Type	I _{max}	Order No.	Pcs. / Pkt.
MTKD-P/P		3100020	50
MTKD		3100017	50

Ordering data			
Type	I _{max}	Order No.	Pcs. / Pkt.
UK 5-MTK-P/P		3004032	50
UK 5-MTK-P/P BU		3004058	50
UK 5-MTK		3004430	50

Ordering data			
Type	I _{max}	Order No.	Pcs. / Pkt.
UK 5 N-MT		3000563	50

Accessories			
D-MTK		3101029	50
D-MTK BU		3101090	50
EBL 2-5	12 A	2303145	10
EBL 3-5	12 A	2303158	10
EBL 10-5	12 A	2303132	10
ATS-MTK		3101223	50
SZG 0,6X3,5 VDE		1205121	10

Accessories			
D-UK 4/10		3003020	50
EB 2-6	12 A	0201155	100
EB 3-6	12 A	0201142	100
EB 10-6	12 A	0201139	10
ATP-UK 5-MTK		3004210	50
SZG 0,6X3,5 VDE		1205121	10

Accessories			
D-UK 4/10		3003020	50
D-UK 4/10 BU		3003101	50
EB 2-6	16 A	0201155	100
EB 3-6	16 A	0201142	100
EB 10-6	16 A	0201139	10
SF-SL 0,6X3,5-100 S-VDE		1212587	10

ZB 5 (see Catalog 5)

ZB 6 (see Catalog 5)

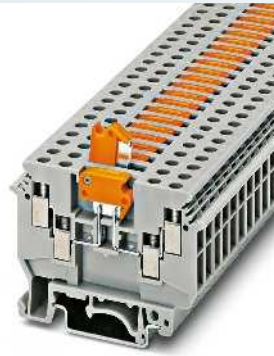
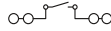
UC-TM 6, UCT-TM 6 or ZB 6 (see Catalog 5)

Modular terminal blocks

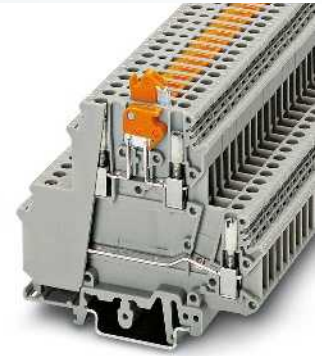
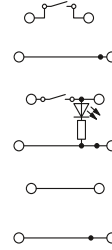
UK universal modular terminal blocks

Knife disconnect terminal blocks

- Convenient disconnect knife operation
- Closed housing of double-level terminal blocks
- The disconnect knife on the associated level is characterized by a slight vertical offset
- Space-saving design just 6.2 mm wide



4 (6) mm², 16 A, knife disconnect terminal block, 4 connections, with test socket screw



4 (4) mm², 12 A, double-level knife disconnect terminal block with test socket screw



Dimensions		[mm]	
Dimensions		6.2	63.5
Dimensions		6.2	63.5
Max. electrical data		16	630
Rated data		IEC 60947-7-1	IEC
Rated voltage	[V]	630	600
Nominal current / cross section	[A] / [mm ²]	16 / 4	15 / -
Rated cross section	[mm ²]	4	-
Cross section range	AWG	24 - 10	30-10
Rated data, upper level		IEC	UL/CUL
Nominal current / cross section	[A] / [mm ²]	-	-
Connection capacity		solid	stranded
1 conductor	[mm ²]	0.2 - 6	0.2 - 4
Two conductors (of the same type)	[mm ²]	0.2 - 1	0.2 - 1.5
Two stranded conductors with a TWIN ferrule	[mm ²]		
Max. cross section with insertion bridge	[mm ²]	2.5	2.5
General data		8	M3
Stripping length	[mm]	0.5 - 0.6	PA
Screw thread	[Nm]		V2
Tightening torque			
Insulating material			
Inflammability class according to UL 94			

Technical data			
Width	Length	Height NS 35/7,5	
6.2	63.5	47	
Width	Length	Height NS 32	
6.2	63.5	52	
I _{max} [A]	U _{max} [V]	max. Ø [mm ²]	AWG
16	630	0.2 - 6	24 - 10
IEC 60947-7-1	UL/CUL	CSA	IEC/EN 60079-7
630	600	600	-
16 / 4	15 / -	15 / -	-
4	-	-	-
24 - 10	30-10	22-10	-
IEC	UL/CUL	CSA	IEC/EN 60079-7
solid	stranded	Ferrule	
		Without / with plastic sleeve	
0.2 - 6	0.2 - 4	0.25 - 4	0.25 - 1.5
0.2 - 1	0.2 - 1.5	0.25 - 1.5	-
			0.5 - 1
2.5	2.5		

Technical data			
Width	Length	Height NS 35/7,5	
6.2	80	68	
Width	Length	Height NS 32	
6.2	80	73	
I _{max} [A]	U _{max} [V]	max. Ø [mm ²]	AWG
26	400	0.2 - 4	24 - 12
IEC 60947-7-1	UL/CUL	CSA	IEC/EN 60079-7
400	300	300	-
26 / 4	- / -	15 / -	-
4	-	-	-
24 - 12	26-12	22-12	-
IEC	UL/CUL	CSA	IEC/EN 60079-7
12 / 4	-	-	-
solid	stranded	Ferrule	
		Without / with plastic sleeve	
0.2 - 4	0.2 - 4	0.25 - 4	0.25 - 2.5
0.2 - 1.5	0.2 - 1.5	0.25 - 1.5	-
			0.5 - 1.5

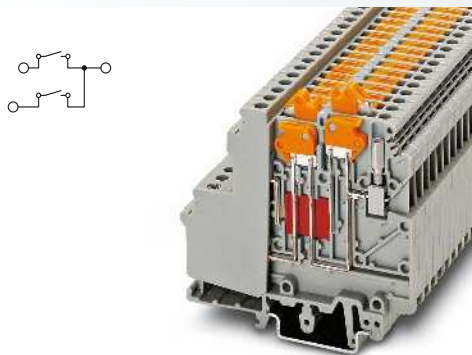
Ordering data		
Description	No. of pos.	Color
Knife disconnect terminal block, for mounting on NS 32... or NS 35..., with test socket screws on both sides		gray
Knife disconnect terminal block, for mounting on NS 32... or NS 35..., with test socket screws on both sides, bridgeable in both levels		blue gray
Double-level terminal block, for mounting on NS 32... or NS 35..., with disconnect knife and light indicator for 12 V DC		gray
Double-level terminal block, for mounting on NS 32... or NS 35..., with two through contacts, without light indicator		gray

Ordering data			
Type	I _{max}	Order No.	Pcs. / Pkt.
UDK 4-MTK-P/P		2775210	50
UDK 4-MTK-P/P BU		2775223	50

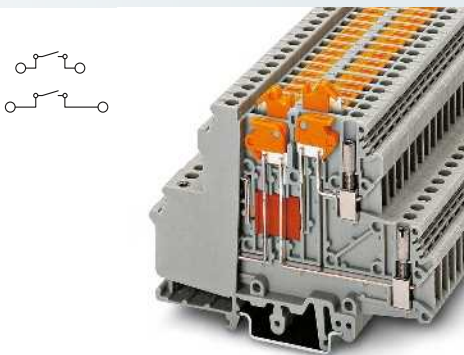
Ordering data			
Type	I _{max}	Order No.	Pcs. / Pkt.
UKK 5-MTK-P/P		2800004	50
UKK 5-MTK-P/P-LA 24RD/O-U		2800020	50
UKK 5-MTKD-P/P		2800017	50

Accessories			
Cover, width 1.5 mm	gray blue	D-UDK 4 D-UDK 4 BU	2775113 2775197
Fixed bridge, insulated	10		silver
Insertion bridge, insulated	2 3 10	EB 2-6 EB 3-6 EB 10-6	12 A 12 A 12 A
Screwdriver		SF-SL 0,6X3,5-100 S-VDE	1212587
Later groove labeling		ZB 6 (see Catalog 5)	

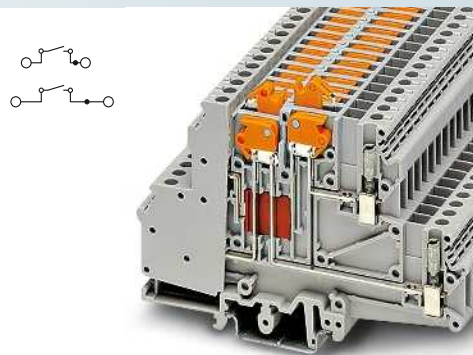
Accessories			
FBI 10-6	22 A	0203250	10
SZG 0,6X3,5 VDE		1205121	10
ZB 6 (see Catalog 5)			



4 (4) mm², 8 A, feed-through terminal block, 3 connections, with two disconnect knives, test socket screw



4 (4) mm², 8 A, double-level terminal block, one disconnect knife per level, test socket screw



4 (4) mm², 8 A, double-level terminal block, one disconnect knife and bridge shaft per level, test socket screw



Technical data			
Width	Length	Height NS 35/7,5	
6.2	76.5	68.5	
Width	Length	Height NS 32	
6.2	76.5	73	
I_{max} [A]	U_{max} [V]	max. Ø [mm ²]	AWG
8	400	0.2 - 4	24 - 12
IEC 60947-7-1			
IEC	UL/CUL	CSA	IEC/EN 60079-7
400	300	300	-
8 / 4	8 / -	8 / -	-
4	-	-	-
24 - 12	26-12	28-12	-
IEC	UL/CUL	CSA	IEC/EN 60079-7
8 / 4	-	-	-
solid	stranded	Ferrule	
		Without / with plastic sleeve	
0.2 - 4	0.2 - 4	0.25 - 4	0.25 - 2.5
0.2 - 1.5	0.2 - 1.5	0.25 - 1.5	-
			0.5 - 2.5

Technical data			
Width	Length	Height NS 35/7,5	
6.2	93	68.5	
Width	Length	Height NS 32	
6.2	93	73	
I_{max} [A]	U_{max} [V]	max. Ø [mm ²]	AWG
10	400	0.2 - 4	24 - 12
IEC 60947-7-1			
IEC	UL/CUL	CSA	IEC/EN 60079-7
400	-	300	-
10 / 4	- / -	15 / -	-
4	-	-	-
24 - 12	-	28-12	-
IEC	UL/CUL	CSA	IEC/EN 60079-7
8 / 4	-	-	-
solid	stranded	Ferrule	
		Without / with plastic sleeve	
0.2 - 4	0.2 - 4	0.25 - 4	0.25 - 2.5
0.2 - 1.5	0.2 - 1.5	0.25 - 1.5	-
			0.5 - 2.5

Technical data			
Width	Length	Height NS 35/7,5	
6.2	106	68.5	
Width	Length	Height NS 32	
6.2	106	73	
I_{max} [A]	U_{max} [V]	max. Ø [mm ²]	AWG
10	400	0.2 - 4	24 - 12
IEC 60947-7-1			
IEC	UL/CUL	CSA	IEC/EN 60079-7
400	-	-	-
10 / 4	- / -	-	-
4	-	-	-
24 - 12	-	-	-
IEC	UL/CUL	CSA	IEC/EN 60079-7
8 / 4	-	-	-
solid	stranded	Ferrule	
		Without / with plastic sleeve	
0.2 - 4	0.2 - 4	0.25 - 4	0.25 - 2.5
0.2 - 1.5	0.2 - 1.5	0.25 - 1.5	-
			0.5 - 2.5

8
M3
0.6 - 0.8
PA
V2

8
M3
0.6 - 0.8
PA
V2

8
M3
0.5 - 0.6
PA
V2

Ordering data		
Type	Order No.	Pcs. / Pkt.
UDMTK 5-TWIN-P/P	3101126	50
UDMTK 5-TWIN-P/P BU	3101139	50

Ordering data		
Type	Order No.	Pcs. / Pkt.
UDMTK 5-P/P	3101087	50
UDMTK 5-P/P BU	3101113	50

Ordering data			
Type	I_{max}	Order No.	Pcs. / Pkt.
UDMTKB 5-P/P		3024478	50

Accessories		
SZG 0,6X3,5 VDE	1205121	10
ZB 6 (see Catalog 5)		

Accessories		
SZG 0,6X3,5 VDE	1205121	10
ZB 6 (see Catalog 5)		

Accessories			
FBI 10 - 6	10 A	0203250	10
SZG 0,6X3,5 VDE		1205121	10
ZB 6 (see Catalog 5)			

Modular terminal blocks

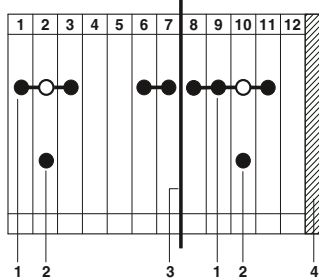
UK universal modular terminal blocks

UGSK/S slide-type terminal block, URTK/SS test disconnect terminal block



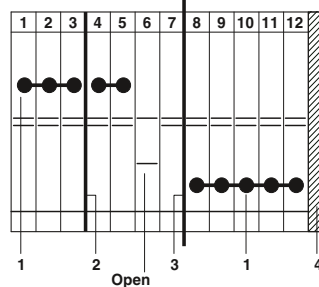
- Simple and clear testing in current transformer secondary circuits can be undertaken with the UGSK/S slide-type terminal block for cross switching
- Measurement equipment or protective relays can be individually activated with the aid of bridges and slides
- For this purpose, the slides make contact with the switching jumper depending on the switching task
- The URTK/SS supports very compact and clear design of transformer test circuits

Slide-type terminal block UGSK/S



Type	Order no.
1 FB 10-GSK/S	0305174
2 GS-GSK/S	0305116
3 ATS-GSK	0304227
4 D-UGSK	0304023

Knife disconnect terminal block URTK/SS



Type	Order no.
1 FBRNI 10-6	2770626
2 TS-URTK/SS	0321213
3 ATS-URTK/SS	0321226
4 D-URTK/SS	0321022

Dimensions

[mm]

Dimensions

[mm]

Max. electrical data

Rated data

Rated voltage	[V]
Nominal current / cross section	[A] / [mm ²]
Rated cross section	[mm ²]
Cross section range	AWG

Connection capacity

1 conductor	[mm ²]
Two conductors (of the same type)	[mm ²]
Two stranded conductors with a TWIN ferrule	[mm ²]

General data

Stripping length	[mm]
Terminal point: thread / torque	- / [Nm]

Disconnect slide: thread / torque	- / [Nm]
-----------------------------------	----------

Insulating material

Inflammability class according to UL 94

Description	No. of pos.	Color
Slide-type terminal block, for mounting on NS 32... or NS 35...		gray
Without slide		gray
Test disconnect terminal block, for mounting on NS 32... or NS 35...		gray
With test sockets		gray

Cover, width 2.2 mm	gray
---------------------	------

Cover, width 1 mm	gray
-------------------	------

Fixed bridge	10	silver
--------------	----	--------

Slide, for switchable connection along with FB 10-GSK/S or FB-GSK	silver
---	--------

Separating plate, for separation of neighboring bridges in terminal center, width 0.8 mm	gray
--	------

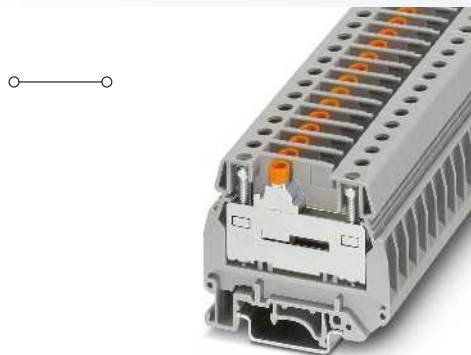
Separating disk, 0.8 mm wide	gray
------------------------------	------

Slide with a test socket, insulated, for the UGSK/S terminal block, M3.5 thread	transparent
---	-------------

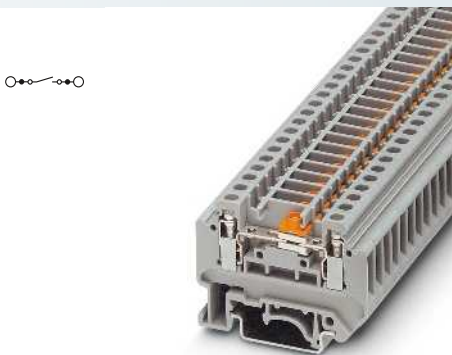
	white
	red
	blue
	yellow
	green
	violet
	gray
	black

Screwdriver

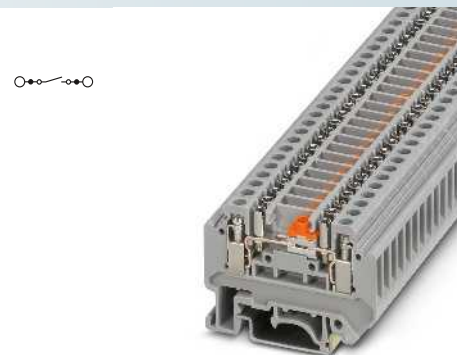
Lateral groove labeling



6 (10) mm², 57 A, slide-type terminal block



4 (4) mm², 26 A, test disconnect terminal block



4 (4) mm², 26 A, test disconnect terminal block with test sockets



Technical data			
Width	Length	Height NS 35/7,5	
8.2	61	53.5	
Width	Length	Height NS 32	
8.2	61	58.5	
I_{max} [A]	U_{max} [V]	max. Ø [mm ²]	AWG
57	500	0.5 - 10	20 - 8
IEC 60947-7-1	IEC	UL/CUL	CSA IEC/EN 60079-7
500	-	-	-
41 / 6	- / -	-	-
6	-	-	-
20 - 8	-	-	-
solid	stranded	Ferrule Without / with plastic sleeve	
0.5 - 10	0.5 - 6	0.5 - 6	0.5 - 4
0.5 - 1.5	0.5 - 4	0.5 - 4	-
			0.5 - 4
11			
M4 / 1.5 - 1.8			
M2,6 / 0.5 - 0.6			
PA			
V2			

Technical data			
Width	Length	Height NS 35/7,5	
6.2	56.5	40	
Width	Length	Height NS 32	
6.2	56.5	45	
I_{max} [A]	U_{max} [V]	max. Ø [mm ²]	AWG
26	400	0.2 - 4	24 - 12
IEC 60947-7-1	IEC	UL/CUL	CSA IEC/EN 60079-7
400	300	300	-
26 / 4	20 / -	25 / -	-
4	-	-	-
24 - 12	28-12	28-12	-
solid	stranded	Ferrule Without / with plastic sleeve	
0.2 - 4	0.2 - 4	0.25 - 4	0.25 - 2.5
0.2 - 1.5	0.2 - 1.5	0.25 - 1.5	-
			0.5 - 2.5
7			
M3 / 0.6 - 0.8			
M2,6 / 0.5 - 0.6			
PA			
V0			

Technical data			
Width	Length	Height NS 35/7,5	
6.2	56.5	40	
Width	Length	Height NS 32	
6.2	56.5	45	
I_{max} [A]	U_{max} [V]	max. Ø [mm ²]	AWG
26	400	0.2 - 4	24 - 12
IEC 60947-7-1	IEC	UL/CUL	CSA IEC/EN 60079-7
400	-	-	-
26 / 4	- / -	-	-
4	-	-	-
24 - 12	-	-	-
solid	stranded	Ferrule Without / with plastic sleeve	
0.2 - 4	0.2 - 4	0.25 - 4	0.25 - 2.5
0.2 - 1.5	0.2 - 1.5	0.25 - 1.5	-
			0.5 - 2.5
7			
M3 / 0.6 - 0.8			
M2,6 / 0.5 - 0.6			
PA			
V0			

Ordering data			
Type	I_{max}	Order No.	Pcs. / Pkt.
UGSK/S + GS		0313085	50
UGSK/S		0305080	50

Ordering data			
Type	I_{max}	Order No.	Pcs. / Pkt.
URTK/SS		0321019	50

Ordering data		
Type	Order No.	Pcs. / Pkt.
URTK/SS-PSB	3056608	50

Accessories		
D-UGSK	0304023	50
FB 10- GSK/S	43 A 0305174	10
GS-GSK/S	0305116	100
TS-GSK	0304214	50
ATS-GSK	0304227	50
PSBJ-GSK/S FARBLOS	0305394	10
PSBJ-GSK/S WH	0305310	10
PSBJ-GSK/S RD	0305323	10
PSBJ-GSK/S BU	0305336	10
PSBJ-GSK/S YE	0305349	10
PSBJ-GSK/S GN	0305352	10
PSBJ-GSK/S VT	0305365	10
PSBJ-GSK/S GY	0305378	10
PSBJ-GSK/S BK	0305381	10
SZS 1,0X4,0 VDE	1205066	10

Accessories		
D-URTK/SS	0321022	50
FBRNI 10-6 N	26 A 2770626	10
TS-URTK/SS	0321213	50
ATS-URTK/SS	0321226	100
SF-SL 0,6X3,5-100 S-VDE	1212587	10

Accessories		
D-URTK/SS	0321022	50
TS-URTK/SS	0321213	50
ATS-URTK/SS	0321226	100
SF-SL 0,6X3,5-100 S-VDE	1212587	10

ZB 8 (see Catalog 5)

ZB 6 (see Catalog 5)

ZB 6 (see Catalog 5)

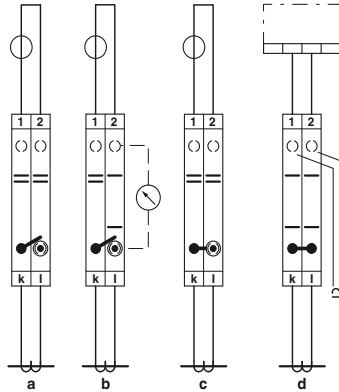
Modular terminal blocks

UK universal modular terminal blocks

URTK/S... test disconnect terminal block

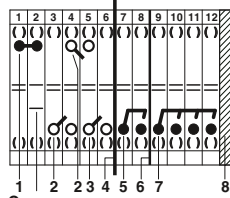


- Easy and clear testing in current transformer secondary circuits can be performed using the test disconnect terminal blocks of the URTK/S range
- On both sides of the disconnect point, the terminal block has a test socket which can also be used to switch across to neighboring terminal blocks
- The URTK/S-BEN ... terminal blocks are provided with test socket screws for test plugs with a 4 mm diameter



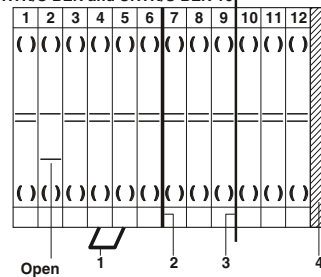
- All switching tasks with two terminal blocks per current transformer core can be implemented with the URTK/S, URTK/S-BEN, and URTK/S-BEN 10 test disconnect terminal blocks
- a Normal operation
- b Measurement checking
- c Transformer short circuit
- d Relay checking

Test disconnect terminal block URTK/S



Type	Order no.
1 FB 10-RTK/S	0311171
2 USB 2-RTK/S	0311278
3 ASB 2-RTK/S	0311281
4 ATS-RTK	0310224
5 SB 2-RTK/S	0311236
6 TS-RTK	0310211
7 SB 4-RTK/S	0311265
8 D-URTK	0310020

Test disconnect terminal block for URTK/S-BEN and URTK/S-BEN 10



Type	Order no.
1 EB 2-8	0202154
2 TS-RTK-BEN	0308210
3 ATS-RTK-BEN	0308223
4 D-URTK/S-BEN	0308029

Dimensions

[mm]

Dimensions

[mm]

Max. electrical data

Rated data

Rated voltage [V]
 Nominal current / cross section [A] / [mm²]
 Rated cross section [mm²]
 Cross section range AWG

Connection capacity

1 conductor [mm²]
 Two conductors (of the same type) [mm²]
 Two stranded conductors with a TWIN ferrule [mm²]
 Max. cross section with insertion bridge [mm²]

General data

Stripping length [mm]
 Terminal point: thread / torque - / [Nm]

Disconnect slide: thread / torque - / [Nm]

Insulating material
 Inflammability class according to UL 94

Description	No. of pos.	Color
Terminal block, for mounting on NS 32... or NS 35...		gray

Cover, width 2.2 mm gray

Insertion bridge, fully insulated		
	2	gray
	3	gray
	4	gray
	10	gray

Fixed bridge, for cross connections on both sides of the disconnect point, divisible, with 10 screws

Switching jumper for two terminal blocks, usable for both sides of the disconnect point, with 2 screws		
Inward switching	2	silver
Outward switching	2	silver
Switch bar for 2 terminal blocks, with 2 screws		
	2	silver

Switching jumper, for 3-phase short circuiting of linked current transformer sets, with 4 screws

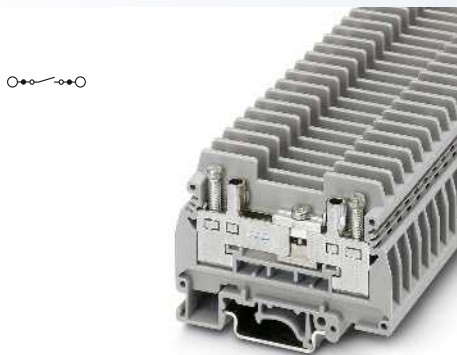
Separating plate, for electrical separation of neighboring bridges at the terminal center gray

Partition plate, for visual and electrical separation of terminal groups gray

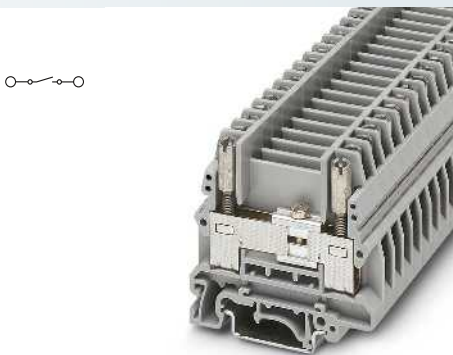
Switching lock, excludes the possibility of an unintentional operation of the disconnect slide white

Screwdriver

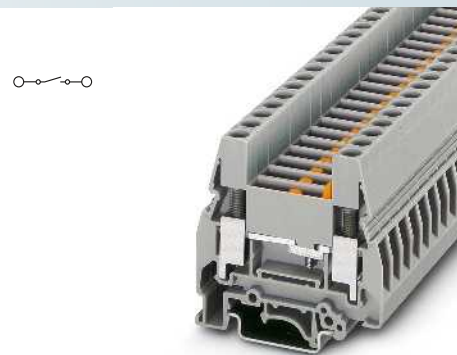
Lateral groove labeling



6 (10) mm², 57 A, test disconnect terminal block



6 (10) mm², 57 A, test disconnect terminal block



10 (16) mm², 76 A, test disconnect terminal block



Technical data			
Width	Length	Height NS 35/7,5	
8.2	72	51.5	
Width	Length	Height NS 32	
8.2	72	56	
I _{max} [A]	U _{max} [V]	max. Ø [mm ²]	AWG
57	400	0.5 - 10	20 - 8
IEC 60947-7-1			
IEC	UL/CUL	CSA	IEC/EN 60079-7
400	300	300	-
41 / 6	50 / -	40 / -	-
6	-	-	-
20 - 8	26-8	26-10	-
solid	stranded	Ferrule Without / with plastic sleeve	
0.5 - 10	0.5 - 6	0.5 - 6	0.5 - 4
0.5 - 2.5	0.5 - 6	0.5 - 4	-
			0.5 - 4
13			
M4 / 1.2 - 1.5			
M3 / 0.6 - 0.8			
PA			
V0			

Technical data			
Width	Length	Height NS 35/7,5	
8.2	61	58.5	
Width	Length	Height NS 32	
8.2	61	63.5	
I _{max} [A]	U _{max} [V]	max. Ø [mm ²]	AWG
57	500	0.5 - 10	20 - 8
IEC 60947-7-1			
IEC	UL/CUL	CSA	IEC/EN 60079-7
500	300	300	-
41 / 6	50 / -	40 / -	-
6	-	-	-
20 - 8	26-8	26-10	-
solid	stranded	Ferrule Without / with plastic sleeve	
0.5 - 10	0.5 - 6	0.5 - 6	0.5 - 4
0.5 - 2.5	0.5 - 6	0.5 - 4	-
			0.5 - 4
10	6		
10			
M4 / 1.5 - 1.8			
M3 / 0.6 - 0.8			
PA			
V0			

Technical data			
Width	Length	Height NS 35/7,5	
8.2	61	58.5	
Width	Length	Height NS 32	
8.2	61	63.5	
I _{max} [A]	U _{max} [V]	max. Ø [mm ²]	AWG
76	500	0.5 - 16	20 - 6
IEC 60947-7-1			
IEC	UL/CUL	CSA	IEC/EN 60079-7
500	600	600	-
57 / 10	50 / -	55 / -	-
10	-	-	-
20 - 6	26-8	26-8	-
solid	stranded	Ferrule Without / with plastic sleeve	
0.5 - 16	0.5 - 10	0.5 - 10	0.5 - 6
0.5 - 10	0.5 - 6	0.5 - 6	-
			0.5 - 6
10	10		
11			
M4 / 1.5 - 1.8			
M3 / 0.6 - 0.8			
PA			
V2			

Ordering data			
Type	I _{max}	Order No.	Pcs. / Pkt.
URTK/S		0311087	50

Ordering data			
Type	I _{max}	Order No.	Pcs. / Pkt.
URTK/S-BEN		0309086	50

Ordering data			
Type	I _{max}	Order No.	Pcs. / Pkt.
URTK/S-BEN 10		0309109	50

Accessories			
D-URTK		0310020	50
EB 2 - 8	41 A	0202154	100
EB 3 - 8	41 A	0202141	100
EB 4 - 8	41 A	0202142	100
EB 10 - 8	41 A	0202138	10
FB 10 - RTK/S	41 A	0311171	10
USB 2-RTK/S	35 A	0311278	10
ASB 2-RTK/S	35 A	0311281	10
SB 2-RTK/S	35 A	0311236	10
SB 4-RTK/S	35 A	0311265	10
TS-RTK		0310211	50
ATS-RTK		0310224	50
S		0308359	100
SZS 1,0X4,0 VDE		1205066	10

Accessories			
D-URTK/S-BEN		0308029	50
EB 2 - 8	41 A	0202154	100
EB 3 - 8	41 A	0202141	100
EB 4 - 8	41 A	0202142	100
EB 10 - 8	41 A	0202138	10
TS-RTK-BEN		0308210	50
ATS-RTK-BEN		0308223	100
SZG 0,9X6,5 VDE		1205134	10

Accessories			
D-URTK/S-BEN		0308029	50
EB 2 - 8	41 A	0202154	100
EB 3 - 8	41 A	0202141	100
EB 4 - 8	41 A	0202142	100
EB 10 - 8	41 A	0202138	10
TS-RTK-BEN		0308210	50
ATS-RTK-BEN		0308223	100
SZG 0,9X6,5 VDE		1205134	10

ZB 8 (see Catalog 5)

ZB 8 (see Catalog 5)

ZB 8 (see Catalog 5)

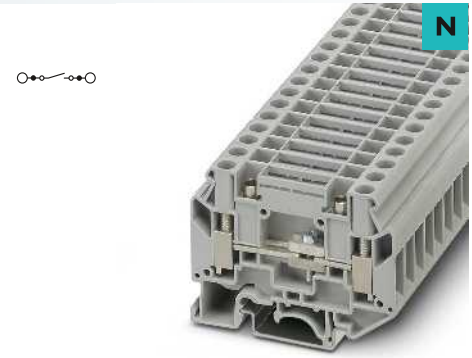
Modular terminal blocks

UK universal modular terminal blocks

UK 6-T test disconnect terminal blocks

- Easy and clear testing in the current transformer secondary circuits can be performed using the UK 6-T test disconnect terminal block
- Compact design
- Switching jumpers with and without test sockets

CLIP PROJECT Planning enables the quick and convenient planning and configuration of fault-free terminal strips.



6 (10) mm², 57 A, disconnect terminal block

Dimensions		
	[mm]	
Dimensions		
	[mm]	
Max. electrical data		
Rated data		
Rated voltage	[V]	500
Nominal current / cross section	[A] / [mm ²]	41 / 6
Rated cross section	[mm ²]	6
Cross section range	AWG	20 - 8
Connection capacity		
1 conductor	[mm ²]	0.5 - 10
Two conductors (of the same type)	[mm ²]	0.5 - 2.5
Two stranded conductors with a TWIN ferrule	[mm ²]	0.5 - 4
General data		
Stripping length	[mm]	10
Terminal point: thread / torque	- / [Nm]	M4 / 1.5 - 1.6
Disconnect slide: thread / torque	- / [Nm]	M3 / 0.6 - 0.8
Torque: test socket, fixed bridge, switch bar	[Nm]	0.6 - 0.8
Insulating material		PA
Inflammability class according to UL 94		V0

Technical data			
Width	Length	Height NS 35/7,5	
8.2	66.5	48	
Width	Length	Height NS 32	
8.2	66.5	52.9	
I _{max} [A]	U _{max} [V]	max. Ø [mm ²]	AWG
57	500	0.5 - 10	20 - 8
IEC 60947-7-1			
IEC	UL/CUL	CSA	IEC/EN 60079-7
Rated voltage	[V]	-	-
Nominal current / cross section	[A] / [mm ²]	- / -	-
Rated cross section	[mm ²]	-	-
Cross section range	AWG	-	-
Connection capacity		solid	stranded
			Ferrule
			Without / with plastic sleeve
1 conductor	[mm ²]	0.5 - 10	0.5 - 6
Two conductors (of the same type)	[mm ²]	0.5 - 2.5	0.5 - 2.5
Two stranded conductors with a TWIN ferrule	[mm ²]	0.5 - 4	0.5 - 4

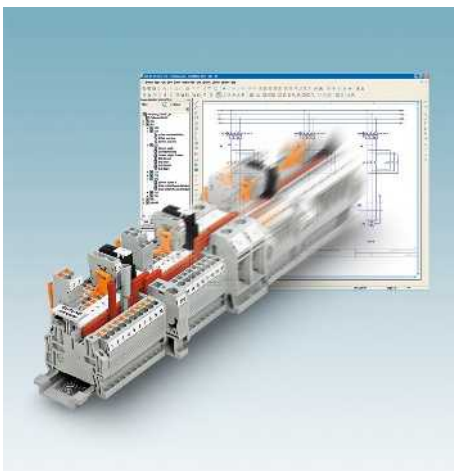
Description	No. of pos.	Color
Disconnect terminal block, with test sockets		gray
Feed-through terminal block		gray

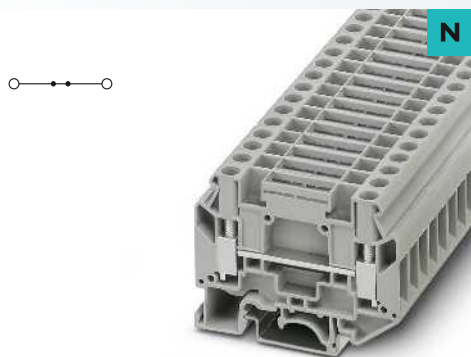
Ordering data			
Type	I _{max}	Order No.	Pcs. / Pkt.
UK 6-T-P		3072800	50

Cover, width 2.2 mm		gray
Fixed bridge, 10-pos.	10	silver
Isolator bridge bar, 10-pos.	10	silver
Switching jumper, complete	2	orange
	3	orange
	4	orange
Switching jumper, complete with test sockets	2	orange
	3	orange
	4	orange
Test socket		white
Test socket, for test connection with PS test plug		orange
Modular test plug housing, labeling with ZBF 8		red
4 mm Ø		
Short-circuit plug, for short circuiting neighboring terminal blocks, fully insulated, 2-pos., I _{max} 20 A		black
4-pos.		black
Screwdriver		

Accessories			
Type	I _{max}	Order No.	Pcs. / Pkt.
D-UK 6-T		3072802	50
SCBI 10-8,15	24 A	3245134	10
SCBI 10-8,15 ISO	24 A	3000417	10
SB 6-T 2-8	32 A	3075842	10
SB 6-T 3-8	32 A	3075843	10
SB 6-T 4-8	32 A	3075844	10
SBP-TB 6-T 2-8	32 A	3070321	10
SBP-TB 6-T 3-8	32 A	3070322	10
SBP-TB 6-T 4-8	32 A	3070323	10
TPS 3/20/5		3246586	10
PSBJ 6-T OG		3070320	10
PSBJ 6-T WH		3070324	10
PS-8/2,3MM RD		3048564	10
MPS-MT/ 4MM		3048577	1
KSS 8		0311540	10
KSS 4- 8		0309549	10
SF-SL 0,8X4,0-100 S-VDE		1212588	10

Lateral groove labeling	UC-TM 8, UCT-TM 8 or ZB 8 (see Catalog 5)
-------------------------	---





6 (10) mm², 57 A, feed-through terminal block

Technical data

Width	Length	Height NS 35/7,5	
8.2	66.5	48	
Width	Length	Height NS 32	
8.2	66.5	52.9	
I_{max} [A]	U_{max} [V]	max. Ø [mm ²]	AWG
57	800	0.5 - 10	20 - 8
IEC 60947-7-1			
IEC	UL/CUL	CSA	IEC/ EN 60079-7
800	-	-	-
41 / 6	- / -	-	-
6	-	-	-
20 - 8	-	-	-
solid	stranded	Ferrule	
		Without / with plastic sleeve	
0.5 - 10	0.5 - 6	0.5 - 6	0.5 - 6
0.5 - 2.5	0.5 - 4	0.5 - 2.5	-
			0.5 - 4
10			
M4 / 1.5 - 1.6			
- / -			
0.6 - 0.8			
PA			
V0			

Ordering data

Type	I_{max}	Order No.	Pcs. / Pkt.
UKD 6		3072801	50

Accessories

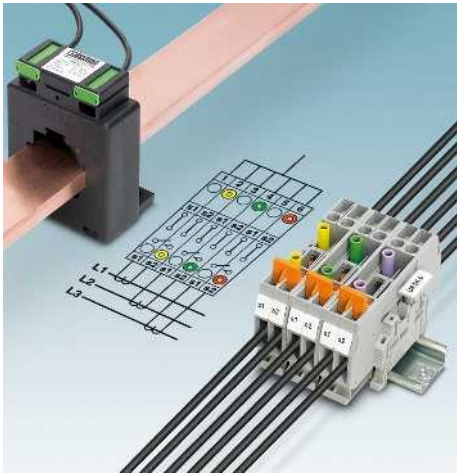
D-UK 6-T		3072802	50
SCBI 10-8,15	24 A	3245134	10
SCBI 10-8,15 ISO	24 A	3000417	10
SB 6-T 2-8	32 A	3075842	10
SB 6-T 3-8	32 A	3075843	10
SB 6-T 4-8	32 A	3075844	10
SBP-TB 6-T 2-8	32 A	3070321	10
SBP-TB 6-T 3-8	32 A	3070322	10
SBP-TB 6-T 4-8	32 A	3070323	10
TPS 3/20/5		3246586	10
PSBJ 6-T OG		3070320	10
PSBJ 6-T WH		3070324	10
PS-8/2,3MM RD		3048564	10
MPS-MT/ 4MM		3048577	1
KSS 8		0311540	10
KSS 4- 8		0309549	10
SF-SL 0,8X4,0-100 S-VDE		1212588	10

UC-TM 8, UCT-TM 8 or ZB 8
(see Catalog 5)

Modular terminal blocks

UK universal modular terminal blocks

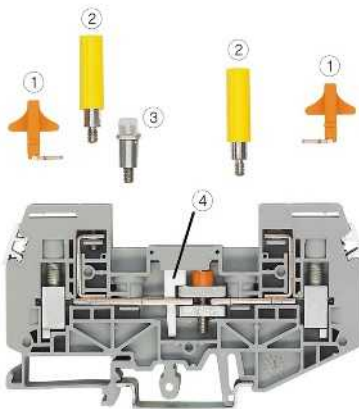
URTK 6 / UGSK 6 test disconnect and slide-type terminal blocks



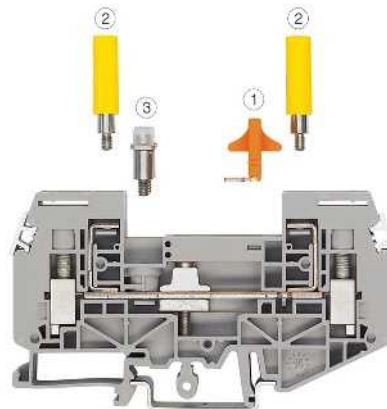
- The URTK 6 test disconnect terminal block and the UGSK 6 slide-type terminal block were developed specifically for use in current transformer secondary circuits
- Can be fitted on both sides with fixed and switchable bridges as well as test sockets with a 4 mm diameter



- The extensive range of accessories of the URTK 6 test disconnect terminal blocks with spring-cage connection can also be used for the SRTK 6 test disconnect terminal blocks with screw connection
- For more information and technical data on the spring-cage connection versions, see page 257



- Only two URTK 6 test disconnect terminal blocks are required for a current transformer measuring circuit
 - Less space required compared to creating circuits with slide-type terminal blocks
- ① SB... switch bar
 - ② 4 mm Ø PSBJ-URTK 6... test sockets
 - ③ FBRI 10-8 N fixed bridge for cross connection
 - ④ S-URTK/SP switching lock



- Several measuring devices or protective relays can be connected individually using the UGSK 6 slide-type terminal block
 - The slide can be connected with the switch bar depending on the switching tasks
- ① SB... switch bar
 - ② 4 mm Ø PSBJ-URTK 6... test sockets
 - ③ FBRI 10-8 N fixed bridge for cross connection

Notes:
For other test sockets, see page 637.
For corresponding AP-ME and AH-ME terminal strip covers, see Catalog 5.

Dimensions

Dimensions [mm]

Dimensions [mm]

Max. electrical data

Rated data

Rated voltage	[V]
Nominal current / cross section	[A] / [mm ²]
Rated cross section	[mm ²]
Cross section range	AWG

Connection capacity

1 conductor	[mm ²]
Two conductors (of the same type)	[mm ²]
Two stranded conductors with a TWIN ferrule	[mm ²]

General data

Stripping length	[mm]
Terminal point: thread / torque	- / [Nm]

Disconnect slide: thread / torque	- / [Nm]
-----------------------------------	----------

Torque: test socket, fixed bridge, switch bar	[Nm]
---	------

Insulating material
Inflammability class according to UL 94

Description	No. of pos.	Color
Test disconnect terminal block , for mounting on NS 35 ... and NS 32 ...		gray
Feed-through terminal block , for mounting on NS 32... or NS 35...		gray

Cover , width 2 mm		gray
---------------------------	--	------

Switching jumper , complete		
	2	orange
	3	orange
	4	orange
	10	orange
	10	orange

Fixed bridge , insulated		
	10	silver
		white

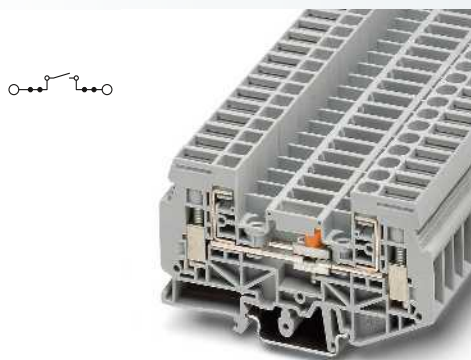
Switching lock , excludes the possibility of an unintentional operation of the disconnect slide		white
--	--	-------

Short-circuit plug , for short circuiting neighboring terminal blocks, fully insulated, 2-pos.		black
---	--	-------

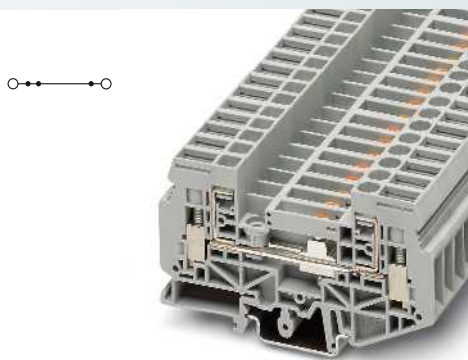
4-pos.		black
Female test plug , insulated		transparent
		blue
		yellow
		green
		violet
		black

Screwdriver , for the terminal point
Screwdriver , for the female test plug

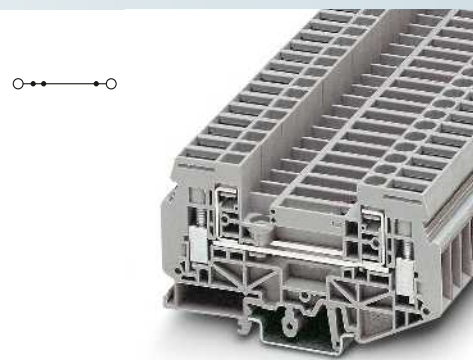
Lateral groove labeling



6 (10) mm², 57 A, test disconnect terminal block



6 (10) mm², 57 A, slide-type terminal block



6 (10) mm², 57 A, feed-through terminal block, same shape



Technical data			
Width	Length	Height NS 35/7,5	
8.2	91	51	
Width	Length	Height NS 32	
8.2	91	56	
I_{max} [A]	U_{max} [V]	max. Ø [mm ²]	AWG
57	400	0.5 - 10	20 - 8
IEC 60947-7-1			
IEC	UL/CUL	CSA	IEC/EN 60079-7
400	300	-	-
41 / 6	50 / -	-	-
6	-	-	-
20 - 8	26-8	-	-
solid	stranded	Ferrule	
		Without / with plastic sleeve	
0.5 - 10	0.5 - 6	0.5 - 6	0.5 - 6
0.5 - 2.5	0.5 - 4	0.5 - 2.5	-
			0.5 - 4
10	M4 / 1.2 - 1.4		
M3 / 0.6 - 0.8	0.6 - 0.8		
PA	V0		

Technical data			
Width	Length	Height NS 35/7,5	
8.2	91	51	
Width	Length	Height NS 32	
8.2	91	56	
I_{max} [A]	U_{max} [V]	max. Ø [mm ²]	AWG
57	400	0.5 - 10	20 - 8
IEC 60947-7-1			
IEC	UL/CUL	CSA	IEC/EN 60079-7
400	300	-	-
41 / 6	50 / -	-	-
6	-	-	-
20 - 8	26-8	-	-
solid	stranded	Ferrule	
		Without / with plastic sleeve	
0.5 - 10	0.5 - 6	0.5 - 6	0.5 - 6
0.5 - 2.5	0.5 - 4	0.5 - 2.5	-
			0.5 - 4
10	M4 / 1.2 - 1.4		
M3 / 0.6 - 0.8	0.6 - 0.8		
PA	V0		

Technical data			
Width	Length	Height NS 35/7,5	
8.2	91	51	
Width	Length	Height NS 32	
8.2	91	56	
I_{max} [A]	U_{max} [V]	max. Ø [mm ²]	AWG
57	400	0.5 - 10	20 - 8
IEC 60947-7-1			
IEC	UL/CUL	CSA	IEC/EN 60079-7
400	300	-	-
41 / 6	50 / -	-	-
6	-	-	-
20 - 8	26-8	-	-
solid	stranded	Ferrule	
		Without / with plastic sleeve	
0.5 - 10	0.5 - 6	0.5 - 6	0.5 - 6
0.5 - 2.5	0.5 - 4	0.5 - 2.5	-
			0.5 - 4
10	M4 / 1.2 - 1.4		
- / -	0.6 - 0.8		
PA	V0		

Ordering data			
Type	I_{max}	Order No.	Pcs. / Pkt.
URTK 6		3026272	50

Ordering data			
Type	I_{max}	Order No.	Pcs. / Pkt.
UGSK 6		3026285	50

Ordering data			
Type	I_{max}	Order No.	Pcs. / Pkt.
URDK 6		3026706	50

Accessories			
D-URTK 6		3026340	10
SB 2-8-T	41 A	3026366	10
SB 3-8-T	41 A	3026492	10
SB 4-8-T	41 A	3026379	10
SB 10-8-T	41 A	3026382	10
SB 10-8-T SO	41 A	3026395	10
FBRI 10-8 N	45 A	2772080	10
S-URTK/SP		0311155	50
KSSI 2-8		3000722	10
KSSI 4-8		3000735	10
PSBJ-URTK 6 FARBLOS		3026450	10
PSBJ-URTK 6 BU		3026434	10
PSBJ-URTK 6 YE		3026405	10
PSBJ-URTK 6 GN		3026418	10
PSBJ-URTK 6 VT		3026421	10
PSBJ-URTK 6 BK		3026447	10
SZS 1,0X4,0 VDE		1205066	10
SF-SL 0,6X3,5-100 S-VDE		1212587	10

Accessories			
D-URTK 6		3026340	10
SB 2-8-T	41 A	3026366	10
SB 3-8-T	41 A	3026492	10
SB 4-8-T	41 A	3026379	10
SB 10-8-T	41 A	3026382	10
SB 10-8-T SO	41 A	3026395	10
FBRI 10-8 N	45 A	2772080	10
KSSI 2-8		3000722	10
KSSI 4-8		3000735	10
PSBJ-URTK 6 FARBLOS		3026450	10
PSBJ-URTK 6 BU		3026434	10
PSBJ-URTK 6 YE		3026405	10
PSBJ-URTK 6 GN		3026418	10
PSBJ-URTK 6 VT		3026421	10
PSBJ-URTK 6 BK		3026447	10
SZS 1,0X4,0 VDE		1205066	10
SF-SL 0,6X3,5-100 S-VDE		1212587	10

Accessories			
D-URTK 6		3026340	10
SB 2-8-T	41 A	3026366	10
SB 3-8-T	41 A	3026492	10
SB 4-8-T	41 A	3026379	10
SB 10-8-T	41 A	3026382	10
SB 10-8-T SO	41 A	3026395	10
FBRI 10-8 N	45 A	2772080	10
KSSI 2-8		3000722	10
KSSI 4-8		3000735	10
PSBJ-URTK 6 FARBLOS		3026450	10
PSBJ-URTK 6 BU		3026434	10
PSBJ-URTK 6 YE		3026405	10
PSBJ-URTK 6 GN		3026418	10
PSBJ-URTK 6 VT		3026421	10
PSBJ-URTK 6 BK		3026447	10
SZS 1,0X4,0 VDE		1205066	10
SF-SL 0,6X3,5-100 S-VDE		1212587	10

UC-TM 8, UCT-TM 8 or ZB 8 (see Catalog 5)

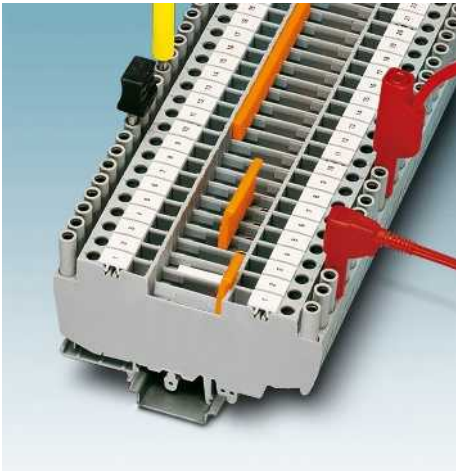
UC-TM 8, UCT-TM 8 or ZB 8 (see Catalog 5)

UC-TM 8, UCT-TM 8 or ZB 8 (see Catalog 5)

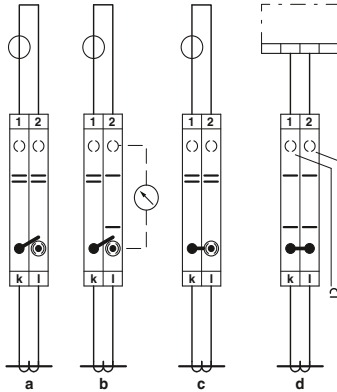
Modular terminal blocks

UK universal modular terminal blocks

URTK/SP test disconnect terminal blocks

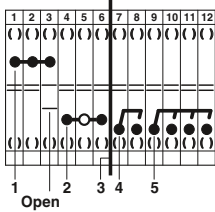


- The URTK/SP test disconnect terminal block should be used for all measurement and test work in the current transformer secondary circuits
- The terminal blocks can be equipped with fixed and switchable bridges on both sides
- Touch-proof test sockets with 4 mm diameter are already permanently integrated
- The URTKD/SP can be used as a feed-through terminal block of the same shape without a disconnect function

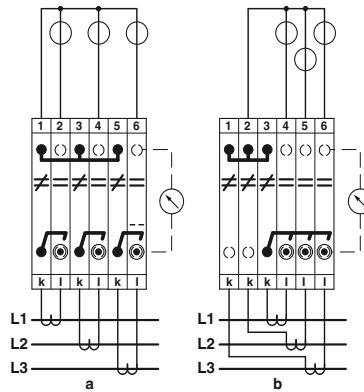


- The URTK/SP test disconnect terminal block and the SB 2-URTK/SP 2-pos. switching jumper can be used to perform all switching tasks per current transformer core
- a Normal operation
- b Measurement checking
- c Transformer short circuit
- d Relay checking

Test terminal block URTK/SP



Type	Order no.
1 FBI 10-8	0202263
FB 10-URTK/SP	0311663
2 ISSBI 10-8	0301534
+ IS-K 10	1303337
3 ATP-URTK/SP	0311139
4 SB 2-URTK/SP	0360012
5 SB 4-URTK/SP	0360025



- Circuit example
- a Three-phase current transformer set
 - b Linked three-phase current transformer set

Dimensions

[mm]

Dimensions

[mm]

Max. electrical data

Rated data

Rated voltage [V]
 Nominal current / cross section [A] / [mm²]
 Rated cross section [mm²]
 Cross section range AWG

Connection capacity

1 conductor [mm²]
 Two conductors (of the same type) [mm²]
 Two stranded conductors with a TWIN ferrule [mm²]

General data

Stripping length [mm]
 Terminal point: thread / torque - / [Nm]

Disconnect slide: thread / torque - / [Nm]

Insulating material
 Inflammability class according to UL 94

Description	No. of pos.	Color
Test disconnect terminal block, for mounting on NS 35 ... and NS 32 ...		gray
Feed-through terminal block, for mounting on NS 32... or NS 35...		gray

Fixed bridge, insulated

10 silver

Fixed bridge, for cross connections on both sides of the disconnect point, insulated, divisible, with 10 screws

Switching jumper for 2 terminal blocks, for use on both sides of the disconnect point, inward switching movement, with 2 screws

2 silver
4 silver

Isolator bridge bar, divisible, with 10 screws, for switchable branches with IS-K...

10 silver
Bridge bar isolator, as distance piece for isolator bridge bar gray

Switching lock, excludes the possibility of an unintentional operation of the disconnect slide white

Partition plate, 2 mm width gray

Short-circuit plug, for short circuiting neighboring terminal blocks, fully insulated, 2-pos. black

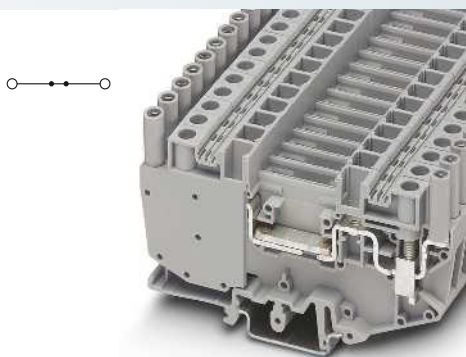
4-pos. black

Screwdriver

Lateral groove labeling



6 (10) mm², 50 A, test disconnect terminal block



6 (10) mm², 50 A, feed-through terminal block, same shape



Short-circuit plug



Technical data			
Width	Length	Height NS 35/7,5	
8.2	99.5	59	
Width	Length	Height NS 32	
8.2	99.5	64	
I _{max} [A]	U _{max} [V]	max. Ø [mm ²]	AWG
50	500	0.5 - 10	20 - 8
IEC 60947-7-1			
IEC	UL/CUL	CSA	IEC/EN 60079-7
500	300	300	-
41 / 6	45 / -	45 / -	-
6	-	-	-
20 - 8	26-8	26-8	-
solid	stranded	Ferrule	
		Without / with plastic sleeve	
0.5 - 10	0.5 - 6	0.5 - 6	0.5 - 6
0.5 - 2.5	0.5 - 4	0.5 - 2.5	-
			0.5 - 4
11	M4 / 1.5 - 1.8		
M3 / 0.6 - 0.8	-		
PA	V0		

Technical data			
Width	Length	Height NS 35/7,5	
8.2	99.5	59	
Width	Length	Height NS 32	
8.2	99.5	64	
I _{max} [A]	U _{max} [V]	max. Ø [mm ²]	AWG
50	500	0.5 - 10	20 - 8
IEC 60947-7-1			
IEC	UL/CUL	CSA	IEC/EN 60079-7
500	-	-	-
41 / 6	- / -	-	-
6	-	-	-
20 - 8	-	-	-
solid	stranded	Ferrule	
		Without / with plastic sleeve	
0.5 - 10	0.5 - 6	0.5 - 6	0.5 - 6
0.5 - 2.5	0.5 - 4	0.5 - 2.5	-
			0.5 - 4
11	M4 / 1.5 - 1.8		
M3 / 0.6 - 0.8	-		
PA	V0		

Technical data			
Width	Length	Height NS 35/7,5	
16.2	11	-	
Width	Length	Height NS 32	
16.2	11	-	
		max. Ø [mm ²]	AWG
		-	-
IEC	UL/CUL	CSA	IEC/EN 60079-7
-	-	-	-
-	- / -	-	-
-	-	-	-
-	-	-	-
solid	stranded	Ferrule	
		Without / with plastic sleeve	
-	-	-	-
-	-	-	-
PA-F	V0		

Ordering data			
Type	I _{max}	Order No.	Pcs. / Pkt.
URTK/SP		0311126	50

Ordering data			
Type	I _{max}	Order No.	Pcs. / Pkt.
URTKD/SP		0311142	50

Ordering data		
Type	Order No.	Pcs. / Pkt.

Accessories			
FBI 10- 8	50 A	0203263	10
FB 10- URTK/SP	50 A	0311663	10
SB 2-URTK/SP	35 A	0360012	10
SB 4-URTK/SP	35 A	0360025	10
ISSBI 10- 8	35 A	0301534	10
IS-K 10		1303337	100
S-URTK/SP		0311155	50
ATP-URTK/SP		0311139	10
SZS 1,0X4,0 VDE		1205066	10
ZB 8 (see Catalog 5)			

Accessories			
FBI 10- 8	50 A	0203263	10
FB 10- URTK/SP	50 A	0311663	10
SB 2-URTK/SP	35 A	0360012	10
SB 4-URTK/SP	35 A	0360025	10
ISSBI 10- 8	35 A	0301534	10
IS-K 10		1303337	100
ATP-URTK/SP		0311139	10
SZS 1,0X4,0 VDE		1205066	10
ZB 8 (see Catalog 5)			

Accessories		
KSSI 2-8	3000722	10
KSSI 4-8	3000735	10

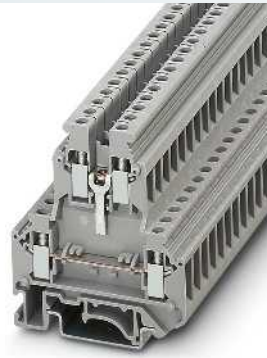
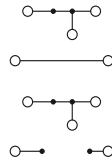
Modular terminal blocks

UK universal modular terminal blocks

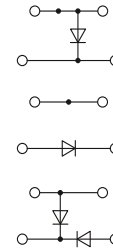
UKK ... double-level diode terminal blocks

- Double-level diode terminal blocks with various forms of wiring are available for a huge range of applications
- Electronic components can be individually soldered with UKK 5-BE

Notes:
1) Integrated: rectifier module B 250 C 1500, reverse voltage: 600 V, nominal voltage: 250 V, nominal current: 1.5 A.
2) Max. installation width of components to be soldered in: 5 mm
3) Integrated: Diode 1N 4007, reverse voltage: 1300 V, maximum continuous current: 0.5 A.



4 (4) mm², 32 A, double-level terminal block for soldering in components



4 (4) mm², 32 A, double-level diode terminal block



		Technical data			
Dimensions		Width	Length	Height NS 35/7,5	
	[mm]	6.2	56	62	
Dimensions		Width	Length	Height NS 32	
	[mm]	6.2	56	67	
Max. electrical data		I_{max} [A]	U_{max} [V]	max. Ø [mm ²]	AWG
		32	500	0.2 - 4	24 - 12
Rated data		IEC 60947-7-1			
		IEC	UL/CUL	CSA	IEC/EN 60079-7
Rated voltage	[V]	500	-	-	-
Nominal current / cross section	[A] / [mm ²]	32 / 4	- / -	-	-
Rated cross section	[mm ²]	4	-	-	-
Cross section range	AWG	24 - 12	-	-	-
Connection capacity		solid	stranded	Ferrule	
				Without / with plastic sleeve	
1 conductor	[mm ²]	0.2 - 4	0.2 - 4	0.25 - 4	0.25 - 2.5
Two conductors (of the same type)	[mm ²]	0.2 - 1.5	0.2 - 1.5	0.25 - 1.5	-
Two stranded conductors with a TWIN ferrule	[mm ²]				0.5 - 1.5
General data					
Stripping length	[mm]	8			
Screw thread		M3			
Tightening torque	[Nm]	0.6 - 0.8			
Insulating material		PA			
Inflammability class according to UL 94		V0			

		Technical data			
Dimensions		Width	Length	Height NS 35/7,5	
	[mm]	6.2	56	62	
Dimensions		Width	Length	Height NS 32	
	[mm]	6.2	56	67	
Max. electrical data		I_{max} [A]	U_{max} [V]	max. Ø [mm ²]	AWG
		32	500	0.2 - 4	24 - 12
Rated data		IEC 60947-7-1			
		IEC	UL/CUL	CSA	IEC/EN 60079-7
Rated voltage	[V]	500	600	-	-
Nominal current / cross section	[A] / [mm ²]	32 / 4	30 / -	-	-
Rated cross section	[mm ²]	4	-	-	-
Cross section range	AWG	24 - 12	26-10	-	-
Connection capacity		solid	stranded	Ferrule	
				Without / with plastic sleeve	
1 conductor	[mm ²]	0.2 - 4	0.2 - 4	0.25 - 4	0.25 - 2.5
Two conductors (of the same type)	[mm ²]	0.2 - 1.5	0.2 - 1.5	0.25 - 1.5	-
Two stranded conductors with a TWIN ferrule	[mm ²]				0.5 - 1.5
General data					
Stripping length	[mm]	8			
Screw thread		M3			
Tightening torque	[Nm]	0.6 - 0.8			
Insulating material		PA			
Inflammability class according to UL 94		V0			

			Ordering data			
Description	No. of pos.	Color	Type	I_{max}	Order No.	Pcs. / Pkt.
Terminal block, for soldering in a component from top to bottom ²⁾		gray	UKK 5-BE		3048027	50
Terminal block, for soldering in a component from top to bottom left and from bottom right to bottom left ²⁾		gray	UKK 5-2 BE		3048030	50
Terminal block, with integrated 1N 4007 diode, conducting from top to bottom ³⁾		gray				
Terminal block, with integrated 1N 4007 diode, conducting from bottom to top ³⁾		gray				
Terminal block, with integrated 1N 4007 diode, conducting from bottom left to bottom right ³⁾		gray				
Terminal block, with two integrated 1N 4007 diodes, conducting from top to bottom left and from top to bottom right or from bottom right to bottom left ¹⁾		gray				

			Ordering data			
Type	I_{max}	Order No.	Pcs. / Pkt.			
UKK 5-DIO/O-U		2791016	50			
UKK 5-DIO/U-O		2791032	50			
UKK 5-DIO/UL-UR		2791029	50			
UKK 5-2DIO/O-UL/UR-UL		2791113	50			

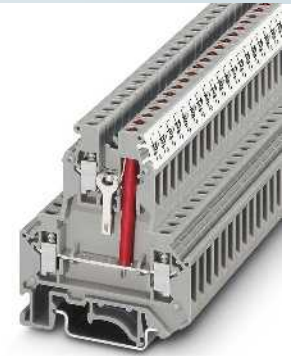
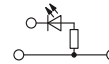
		Accessories			
Cover, width 2.5 mm	gray	D-UKK 3/5		2770024	50
Spacer plate, compensates for level offsets, width 2.5 mm	gray	DP-UKK 3/5		2770794	50
Fixed bridge, insulated	10	FBI 10- 6	32 A	0203250	10
Screwdriver		SF-SL 0,6X3,5-100 S-VDE		1212587	10
Labels		ZB 6 (see Catalog 5)			

		Accessories			
D-UKK 3/5		2770024		50	
DP-UKK 3/5		2770794		50	
FBI 10- 6	32 A	0203250		10	
SF-SL 0,6X3,5-100 S-VDE		1212587		10	
Labels		ZB 6 (see Catalog 5)			

UKK ... double-level terminal blocks with light indicator

- The integrated light indicator in UKK 5-LA ... indicates the voltage condition of the lower feed-through level
- Available in three voltage levels up to 250 V

Notes:
1) The operating voltage is determined by the LED version.



4 (4) mm², 32 A, double-level terminal block with LED



Dimensions	[mm]
Dimensions	[mm]
Max. electrical data	
Rated data	
Rated voltage	[V]
Nominal current / cross section	[A] / [mm ²]
Rated cross section	[mm ²]
Cross section range	AWG
Connection capacity	
1 conductor	[mm ²]
Two conductors (of the same type)	[mm ²]
Two stranded conductors with a TWIN ferrule	[mm ²]
General data	
Stripping length	[mm]
Screw thread	
Tightening torque	[Nm]
Insulating material	
Inflammability class according to UL 94	

Technical data				
Width	Length	Height NS 35/7,5		
6.2	56	62		
Width	Length	Height NS 32		
6.2	56	67		
I _{max} [A]	U _{max} [V]	max. Ø [mm ²]	AWG	
32	500 ¹⁾	0.2 - 4	24 - 12	
IEC	UL/CUL	CSA	IEC/EN 60079-7	
500 ¹⁾	600	-	-	
32 / 4	20 / -	-	-	
4	-	-	-	
24 - 12	26-10	-	-	
Connection capacity	solid	stranded	Ferrule	
			Without / with plastic sleeve	
1 conductor	0.2 - 4	0.2 - 4	0.25 - 4	0.25 - 2.5
Two conductors (of the same type)	0.2 - 1.5	0.2 - 1.5	0.25 - 1.5	-
Two stranded conductors with a TWIN ferrule				0.5 - 1.5
General data				
Stripping length	[mm]	8		
Screw thread		M3		
Tightening torque	[Nm]	0.6 - 0.8		
Insulating material		PA		
Inflammability class according to UL 94		V0		

Description	No. of pos.	Color
Double-level terminal block , with light indicator for 12 - 30 V DC, 0.7 - 2.4 mA		gray
With light indicator for 30-60 V DC, 0.8-1.8 mA		gray
With light indicator for 110-250 V AC/DC, 0.1-0.5 mA		gray

Ordering data			
Type	I _{max}	Order No.	Pcs. / Pkt.
UKK 5-LA 24 RD/U-O		2791320	50
UKK 5-LA 60 RD/U-O		2791333	50
UKK 5-LA230		2791359	50

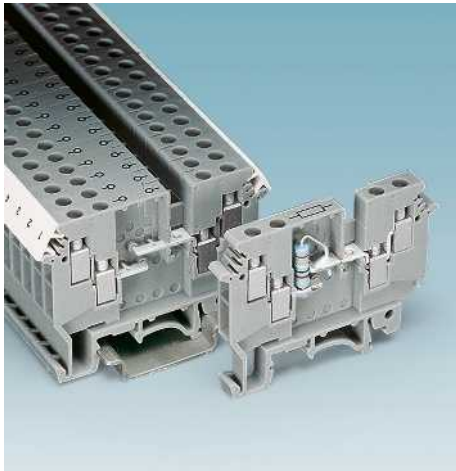
Cover , width 2.5 mm		gray
Spacer plate , compensates for level offsets, width 2.5 mm		gray
Fixed bridge , insulated	10	silver
Insertion bridge , insulated	2	gray
	3	gray
	10	gray
Isolator bridge bar , divisible, with 10 screws, for switchable branches with IS-K...	10	silver
Bridge bar isolator , as distance piece for isolator bridge bar		gray
Separating disk , for separation of neighboring bridges, can be fitted later, no loss of pitch		gray
Partition plate , 2.5 mm wide		gray
Screwdriver		
Lateral groove labeling		

Accessories			
Type	I _{max}	Order No.	Pcs. / Pkt.
D-UKK 3/5		2770024	50
DP-UKK 3/5		2770794	50
FBI 10- 6	32 A	0203250	10
EB 2- 6	28 A	0201155	100
EB 3- 6	28 A	0201142	100
EB 10- 6	28 A	0201139	10
ISSBI 10- 6	24 A	0301505	10
IS-K 4		1302338	100
TS-KK 3		2770215	50
ATP-UKK 3/5		2778521	50
SF-SL 0,6X3,5-100 S-VDE		1212587	10
ZB 6 (see Catalog 5)			

Modular terminal blocks

UK universal modular terminal blocks

UDK ... component terminal blocks



- The constant current circuits common in process automation transmit the measured values as a load-independent current of 0(4) - 20 mA
- A voltage signal pick-off can be implemented in the measuring line using this terminal block, thus allowing the signal to be used as an analog signal for process computers
- The four-conductor connection permits convenient wiring
- The lower level is assigned to the measuring line while the upper level is used for voltage pick-off via the 249 Ω resistor

Notes:
Maximum width of components to be soldered in: 5 mm
1) The current is determined by the component used.



4 (6) mm², feed-through terminal block, 4 connections, with differential voltage resistor



Dimensions		[mm]	
Dimensions			
Max. electrical data			
Rated data			
Rated voltage	[V]	630	-
Nominal current / cross section	[A] / [mm ²]	32 ¹⁾ / 4	- / -
Rated cross section	[mm ²]	4	-
Cross section range	AWG	24 - 10	-
Connection capacity			
		solid	stranded
1 conductor	[mm ²]	0.2 - 6	0.2 - 4
Two conductors (of the same type)	[mm ²]	0.2 - 1	0.2 - 1.5
Two stranded conductors with a TWIN ferrule	[mm ²]		
Max. cross section with insertion bridge	[mm ²]	2.5	2.5
General data			
Stripping length	[mm]	8	
Screw thread		M3	
Tightening torque	[Nm]	0.5 - 0.6	
Insulating material		PA	
Inflammability class according to UL 94		V2	

Technical data				
Width	Length	Height NS 35/7,5		
6.2	63.5	47		
Width	Length	Height NS 32		
6.2	63.5	52		
I _{max} [A]	U _{max} [V]	max. Ø [mm ²]	AWG	
	630	0.2 - 6	24 - 10	
IEC	UL/CUL	CSA	IEC/EN 60079-7	
	-	600	-	
	32 ¹⁾ / 4	- / -	10 / -	
	4	-	-	
	24 - 10	-	22-10	
Connection capacity		solid	stranded	Ferrule
				Without / with plastic sleeve
1 conductor	[mm ²]	0.2 - 6	0.2 - 4	0.25 - 4 0.25 - 1.5
Two conductors (of the same type)	[mm ²]	0.2 - 1	0.2 - 1.5	0.25 - 1.5 -
Two stranded conductors with a TWIN ferrule	[mm ²]			- 0.5 - 1
Max. cross section with insertion bridge	[mm ²]	2.5	2.5	
General data				
Stripping length	[mm]	8		
Screw thread		M3		
Tightening torque	[Nm]	0.5 - 0.6		
Insulating material		PA		
Inflammability class according to UL 94		V2		

Description	No. of pos.	Color
Differential voltage terminal block, for self-soldering a resistor		gray
With built-in resistor 249 Ω / ± 1% / 1 W		gray

Ordering data			
Type	I _{max}	Order No.	Pcs. / Pkt.
UDK 4-DUR		2775207	50
UDK 4-DUR 249		2775249	50

Accessories		
Cover, width 1.5 mm		gray
Fixed bridge, insulated		
	10	silver
Insertion bridge, insulated		
	2	gray
	3	gray
	10	gray
Isolator bridge bar, divisible, with 10 screws, for switchable branches with IS-K...	10	silver
Bridge bar isolator, as distance piece for isolator bridge bar		gray
Separating disk, for separation of neighboring bridges, can be fitted later, no loss of pitch		gray
Screwdriver		
Lateral groove labeling		

Accessories			
Type	I _{max}	Order No.	Pcs. / Pkt.
D-UDK 4		2775113	50
FBI 10- 6	32 A	0203250	10
EB 2- 6	26 A	0201155	100
EB 3- 6	26 A	0201142	100
EB 10- 6	26 A	0201139	10
ISSBI 10- 6	32 A	0301505	10
IS-K 4		1302338	100
TS-KK 3		2770215	50
SF-SL 0,6X3,5-100 S-VDE		1212587	10
ZB 6 (see Catalog 5)			

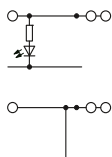
UDK ... light indicator terminal blocks for voltage and current

UDK 4-ULA ...

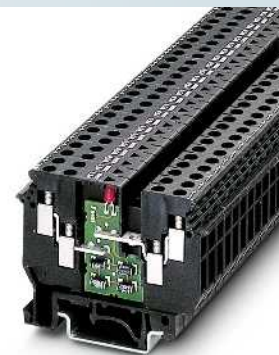
- An LED indicates the potential status of the feed-through circuit line
- The LED return conductor is implemented with an RS busbar and UDK 4-ULA/EK power terminal block

UDK 4-ILA ...

- For current range of between 4 and 1000 mA
- If a load current flows through the load, this is indicated by the LED



4 (6) mm², 32 A, feed-through terminal block, 3 connections, with voltage indicator



4 (6) mm², 0.5 A, feed-through terminal block, 4 connections, with current indicator up to 1000 mA



Notes:

¹⁾ Note load current diagram, see www.phoenixcontact.net/products

²⁾ To neighboring terminal blocks

Technical data			
Width	Length	Height NS 35/7,5	
6.2	63.5	47	
Width	Length	Height NS 32	
6.2	63.5	52	
I_{max} [A]	U_{max} [V]	max. Ø [mm ²]	AWG
32	500 ²⁾	0.2 - 6	24 - 10
IEC 60947-7-1	UL/CUL	CSA	IEC/EN 60079-7
Rated voltage [V]	500 ²⁾	600	-
Nominal current / cross section [A] / [mm ²]	32 / 4	30 / -	25 / -
Rated cross section [mm ²]	4	-	-
Cross section range AWG	24 - 10	30-10	22-12
Connection capacity	solid	stranded	Ferrule Without / with plastic sleeve
	1 conductor [mm ²]	0.2 - 6	0.2 - 4 0.25 - 4 0.25 - 1.5
Two conductors (of the same type) [mm ²]	0.2 - 1	0.2 - 1.5	0.25 - 1.5 -
Two stranded conductors with a TWIN ferrule [mm ²]			0.5 - 2.5
Max. cross section with insertion bridge [mm ²]	2.5	2.5	
General data			
Stripping length [mm]	8		
Screw thread	M3		
Tightening torque [Nm]	0.6 - 0.8		
Insulating material	PA		
Inflammability class according to UL 94	V2		

Technical data			
Width	Length	Height NS 35/7,5	
6.2	63.5	47	
Width	Length	Height NS 32	
6.2	63.5	52.5	
I_{max} [A]	U_{max} [V]	max. Ø [mm ²]	AWG
0.5 ¹⁾	500	0.2 - 6	24 - 10
IEC	UL/CUL	CSA	IEC/EN 60079-7
Rated voltage [V]	500	600	-
Nominal current / cross section [A] / [mm ²]	0.5 / 4	0.5 / -	0.5 / -
Rated cross section [mm ²]	4	-	-
Cross section range AWG	24 - 10	30-10	22-10
Connection capacity	solid	stranded	Ferrule Without / with plastic sleeve
	1 conductor [mm ²]	0.2 - 6	0.2 - 4 0.25 - 4 0.25 - 1.5
Two conductors (of the same type) [mm ²]	0.2 - 1	0.2 - 1.5	0.25 - 1.5 -
Two stranded conductors with a TWIN ferrule [mm ²]			0.5 - 2.5
Max. cross section with insertion bridge [mm ²]	2.5	2.5	
General data			
Stripping length [mm]	8		
Screw thread	M3		
Tightening torque [Nm]	0.5 - 0.6		
Insulating material	PA		
Inflammability class according to UL 94	V2		

Ordering data			
Type	I_{max}	Order No.	Pcs. / Pkt.
UDK 4-ULA 24 RD/O-U		2775045	50
UDK 4-ULA 48 RD/O-U		2775032	50
UDK 4-ULA 230		2775058	50
UDK 4-ULA/EK		2775029	50
RS		2775126	1
UDK 4-ILA 500		2775061	50
UDK 4-ILA 1000		2775087	50

Ordering data			
Type	I_{max}	Order No.	Pcs. / Pkt.
UDK 4-ILA 500		2775061	50
UDK 4-ILA 1000		2775087	50

Description	No. of pos.	Color
Voltage indicator terminal block , for mounting on NS 32... or NS 35..., with light indicator for 15-30 V DC		gray
With LED for 30-60 V DC		gray
With LED for 110-230 V AC/DC		gray
Power terminal block , for connecting the reference potential to the return busbar RS, I_{max} 2 A		blue
Return busbar , engaged in terminal block and led parallel to terminal strip, length: 1 m, Ø 3 mm		silver
Current indicator terminal block , for mounting on NS 32... or NS 35..., displays the current flow of an auxiliary current circuit using the LED		black
For load current 300 ... 1000 mA ¹⁾		black

Accessories			
D-UDK 4		2775113	50
FBI 10- 6	32 A	0203250	10
EB 2- 6	26 A	0201155	100
EB 3- 6	26 A	0201142	100
EB 10- 6	26 A	0201139	10
TS-KK 3		2770215	50
SF-SL 0,6X3,5-100 S-VDE		1212587	10
ZB 6 (see Catalog 5)			

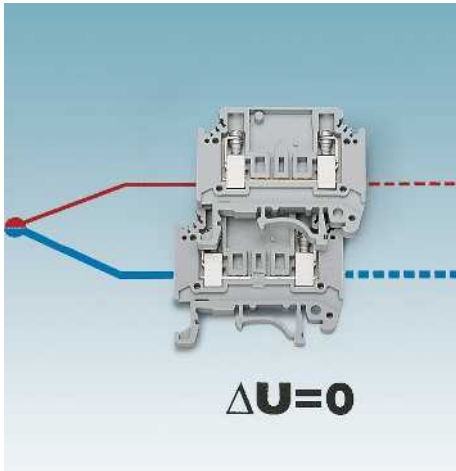
Accessories			
D-UDK 4		2775113	50
FBI 10- 6	32 A	0203250	10
EB 2- 6	26 A	0201155	100
EB 3- 6	26 A	0201142	100
EB 10- 6	26 A	0201139	10
TS-KK 3		2770215	50
SF-SL 0,6X3,5-100 S-VDE		1212587	10
ZB 6 (see Catalog 5)			

Cover , width 1.5 mm	gray
Fixed bridge , insulated	10 silver
Insertion bridge , insulated	2 gray
	3 gray
	10 gray
Separating disk , for separation of neighboring bridges, can be fitted later, no loss of pitch	gray
Screwdriver	
Lateral groove labeling	

Modular terminal blocks

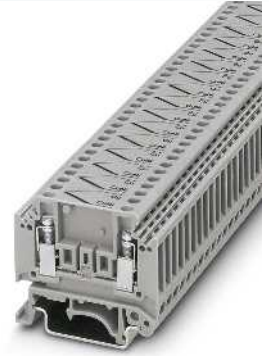
UK universal modular terminal blocks

MTKD-... thermoelectric voltage terminal block pair



- These special terminal blocks are used to extend thermocouple equalizing conductors in corresponding measuring circuits
- The equalizing conductors are made of materials which, up to temperatures of 200°C, have the same thermal characteristics as the corresponding thermocouples
- This ensures that no false thermoelectric voltages result at the junctions of the thermocouple/terminal block/equalizing conductor and that the basic values according to EN 60584/DIN EN 60584 are adhered to

Notes:
For table for selecting thermoelectric voltage terminal blocks, visit www.phoenixcontact.net/products
1) Voltage to the neighboring MTK feed-through terminal block.



2.5 (4) mm², feed-through terminal block pair



Dimensions	
Dimensions	[mm]
Dimensions	[mm]
Max. electrical data	
Rated data	
Rated voltage	[V]
Nominal current / cross section	[A] / [mm ²]
Rated cross section	[mm ²]
Cross section range	AWG
Connection capacity	
1 conductor	[mm ²]
General data	
Stripping length	[mm]
Screw thread	
Tightening torque	[Nm]
Insulating material	
Inflammability class according to UL 94	

Technical data			
Width	Length	Height NS 35/7,5	
10.4	46	40	
Width	Length	Height NS 32	
10.4	46	45	
I _{max} [A]	U _{max} [V]	max. Ø [mm ²]	AWG
1	400 ¹⁾	0.2 - 4	24 - 12
IEC 60947-7-1			
IEC	UL/CUL	CSA	IEC/EN 60079-7
400 ¹⁾	300	-	-
1	10 / -	-	-
2.5	-	-	-
24 - 12	28-12	-	-
Connection capacity		Ferrule	
solid	stranded	Without / with plastic sleeve	
0.2 - 4	0.2 - 2.5	-	-

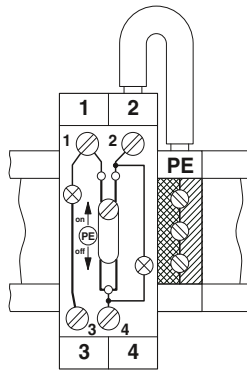
Description	Color
Thermocouple terminal block pair for CU/CUNI44, Copper/constantan, USA type T	gray
Thermocouple terminal block pair for FE/CUNI44, Iron/constantan, USA type J	gray
Thermocouple terminal pair for NICR/CUNI44, Nickel-chrome/constantan, USA type E	gray
Thermocouple terminal block pair for NICRSI/NISI, Nickel-chrome silicon/nickel silicon, USA type N	gray
Thermocouple terminal pair for NICR/NI, Nickel-chrome/Nickel, USA type K	gray
Thermocouple terminal block pair for E-CU/A-CU, Copper/Copper nickel, USA type R	gray
Thermocouple terminal block pair for S-CU/E-CU, S-copper/copper, USA type B	gray

Cover, width 1 mm	gray
Partition plate, for visual and electrical separation of terminal groups, 1.0 mm thick	gray
Screwdriver	
Lateral groove labeling	

Ordering data		
Type	Order No.	Pcs. / Pkt.
MTKD-CU/CUNI	3100059	50
MTKD-FE/CUNI	3100046	50
MTKD-NICR/CUNI	3100075	50
MTKD-NICRSI/NISI	5043321	50
MTKD-NICR/NI	3100062	50
MTKD-E-CU/A-CU	3100091	50
MTKD-S-CU/E-CU	3100101	50

Accessories		
D-MTK	3101029	50
ATS-MTK	3101223	50
SZS 1,0X4,0 VDE	1205066	10
ZB 10 (see Catalog 5)		

GTF 76 ground disconnect terminal block



6 (10) mm², 57 A, ground disconnect terminal block



EN 60204-1/VDE 0113-1 “Electrical equipment of machines”, Section 9.4.3.1 states:

“Ground faults in a control circuit may not lead to an unintentional start-up, to potentially dangerous movements or prevent the stopping of a machine.”

- The GTF 76 ground disconnect terminal block conveniently solves this problem
- When the disconnect slide is closed, switch position “on”, the yellow light signals grounded normal operation
- Once the disconnect slide has been opened to the “off” position, the red light indicates whether there is a ground fault in the control circuit

Note:

- Asymmetries in the cable insulation mean that the red display may easily light up even when there is no ground fault if the disconnect slide is open. This has no impact on functionality and does not affect the protective measure demanded in the VDE requirements.

Note:

- During insulation testing according to EN 60204-1/VDE 0113-1, the GTF 76 should be disconnected or bridged as otherwise the light indicator will be destroyed or a short circuit will occur

Notes:
1) 250 V for GTF 76/230

Dimensions	[mm]
Dimensions	[mm]
Max. electrical data	
Rated data	
Rated voltage	[V]
Nominal current / cross section	[A] / [mm ²]
Rated cross section	[mm ²]
Cross section range	AWG
Connection capacity	
1 conductor	[mm ²]
Two conductors (of the same type)	[mm ²]
Two stranded conductors with a TWIN ferrule	[mm ²]
General data	
Stripping length	[mm]
Screw thread	
Tightening torque	[Nm]
Insulating material	
Inflammability class according to UL 94	

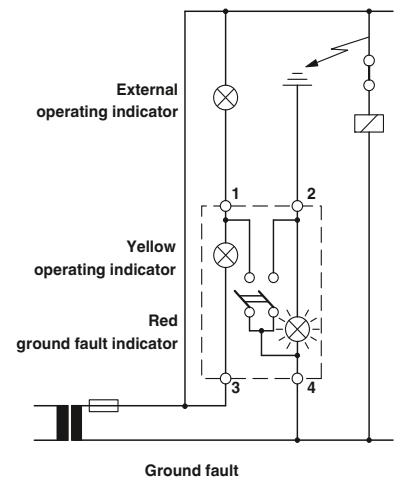
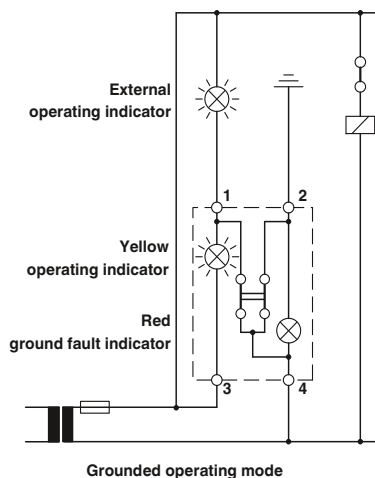
Technical data			
Width	Length	Height NS 35/7,5	
22.5	64.5	54	
Width	Length	Height NS 32	
22.5	64.5	59	
I_{max} [A]	U_{max} [V]	max. Ø [mm ²]	AWG
57	110 ¹⁾	0.5 - 10	20 - 8
IEC	UL/CUL	CSA	IEC/EN 60079-7
110 ¹⁾	250	-	-
41 / 6	50 / -	-	-
6	-	-	-
20 - 8	26-8	-	-
solid	stranded	Ferrule	
		Without / with plastic sleeve	
0.5 - 10	0.5 - 6	0.5 - 10	0.5 - 4
0.5 - 6	0.5 - 6	0.5 - 6	-
			0.5 - 4

Description	Color
Basic disconnect terminal block , for mounting on NS 32..., NS 35... or NS 35/15-2,3 for 110-250 V AC/DC, current: 0.5-1 mA	gray
Basic disconnect terminal block , for mounting on NS 32..., NS 35... or NS 35/15-2,3 for 24-48 V AC/DC, current: 3.5-8 mA	gray

Ordering data		
Type	Order No.	Pcs. / Pkt.
GTF 76/230	3121012	10
GTF 76/ 48	3121025	10

Screwdriver
Lateral groove labeling

Accessories	
SZS 1,0X4,0 VDE	1205066 10
ZB 10 (see Catalog 5)	



Modular terminal blocks

UK universal modular terminal blocks with special connection

UVKB ... and UHK ... feed-through terminal blocks with spade connection



UVKB terminal blocks

- The front spade connection is the optimum wiring design for tight spaces and if cable ducts need moving close to the terminal strip
- The housing walls only protrude slightly beyond the metal parts because it is assumed that fully-insulated plug-in sleeves are connected
- The slotted plugs allow a fully-insulated or two bare 2.8 mm plug-in sleeves to be slid on in place of one 6.3 mm flat plug-in sleeve

UHK terminal blocks

Owing to the characteristic arrangement of three flat plugs on each terminal block side, UHK ... terminal blocks prove to be advantageous in technical applications:

- Economical use of terminal blocks and bridge connections
- Comfortable operation, i.e., free view of the plugs, good plug accessibility and quick connection check
- The marking is easily visible due to the smart wire guiding in the lateral cable ducts
- Reading the marking from the front

Notes:

For corresponding slip-on sleeves, see Catalog 5.

¹⁾ Current and voltage data for spade connections according to en 61210 also depends on the nominal size, material, insulation of the slip-on sleeve, and conductor cross section.



4 (4) mm², 32 A, feed-through terminal block, with screw and spade connection



Dimensions		[mm]
Dimensions		[mm]
Max. electrical data		
Rated data		
Rated voltage	[V]	500 ¹⁾
Nominal current / cross section	[A] / [mm ²]	29 ¹⁾ / 4
Rated cross section	[mm ²]	4
Cross section range	AWG	24 - 12
Connection capacity of screw connection		
1 conductor	[mm ²]	0.2 - 4
Two conductors (of the same type)	[mm ²]	0.2 - 1.5
Two stranded conductors with a TWIN ferrule	[mm ²]	0.2 - 1.5
Max. cross section with insertion bridge	[mm ²]	4
General data		
Stripping length	[mm]	8
Screw thread		M3
Tightening torque	[Nm]	0.6 - 0.8
Insulating material		PA
Inflammability class according to UL 94		V2

Technical data			
Width	Length	Height NS 35/7,5	
6.2	68	44	
Width	Length	Height NS 32	
6.2	68	49	
I _{max} [A]	U _{max} [V]	max. Ø [mm ²]	AWG
29 ¹⁾	500 ¹⁾	0.2 - 4	24 - 12
IEC	UL/CUL	CSA	IEC/EN 60079-7
500 ¹⁾	300	-	-
29 ¹⁾ / 4	25 / -	-	-
4	-	-	-
24 - 12	28-12	-	-
Connection capacity of screw connection		Ferrule	
solid	stranded	Without / with plastic sleeve	
1 conductor	[mm ²]	0.2 - 4	0.25 - 4 0.25 - 2.5
Two conductors (of the same type)	[mm ²]	0.2 - 1.5	0.25 - 1.5 -
Two stranded conductors with a TWIN ferrule	[mm ²]	0.2 - 1.5	0.25 - 1.5 0.5 - 2.5
Max. cross section with insertion bridge	[mm ²]	4	4

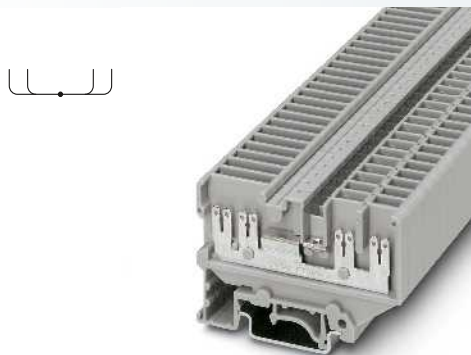
Description	No. of pos.	Color
Terminal block, for mounting on NS 32... or NS 35..., with slotted 6.3/2.8 mm flat plugs ¹⁾		gray

Ordering data			
Type	I _{max}	Order No.	Pcs. / Pkt.
UVKB 4-FS(6-2,8-0,8)		1954016	50

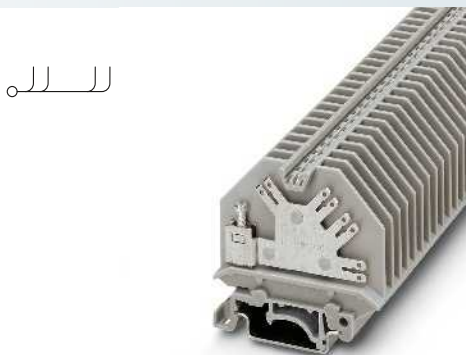
Cover, width 2.2 mm	gray
Cover, width 2.3 mm	gray
Fixed bridge, insulated	10 silver
Insertion bridge, insulated	2 gray 3 gray 10 gray
Isolator bridge bar, divisible, with 10 screws, for switchable branches with IS-K...	10 silver
Bridge bar isolator, as distance piece for isolator bridge bar	gray
Separating disk, for separation of neighboring bridges, can be fitted later, no loss of pitch	gray
Partition plate, for visual and electrical separation of terminal groups, 2.3 mm thick	gray
Test socket	silver
Test socket, insulated, can be used only with FBI and ISSBI	silver
Screwdriver	
Center groove labeling	

Accessories		
D-UVKB 4		
FBI 10- 6	24 A	0203250 10
EB 2- 6	24 A	0201155 100
EB 3- 6	24 A	0201142 100
EB 10- 6	24 A	0201139 10
ISSBI 10- 6	24 A	0301505 10
IS-K 4		1302338 100
TS-K		1302215 50
PSB 3/10/4		0601292 10
PSBJ 3/13/4		0201304 10
SF-SL 0,6X3,5-100 S-VDE		1212587 10
ZB 6 (see Catalog 5)		

UK universal modular terminal blocks with special connection



4 (6) mm², 32 A, feed-through terminal block, with spade connection



4 (4) mm², 40 A, feed-through terminal block, with screw and spade connection



40 A, feed-through terminal block, with spade connection



Technical data			
Width	Length	Height NS 35/7,5	
6.2	68	44	
Width	Length	Height NS 32	
6.2	68	49	
I _{max} [A]	U _{max} [V]	max. Ø [mm ²]	AWG
32 ¹⁾	800 ¹⁾	0.5 - 6	20 - 10
IEC	UL/CUL	CSA	IEC/ EN 60079-7
800 ¹⁾	300	-	-
32 ¹⁾ / 4	25 / -	-	-
4	-	-	-
20 - 10	-	-	-
solid	stranded	Ferrule Without / with plastic sleeve	
0.5 - 6	0.5 - 6	-	-
-	-	-	-
-	-	-	-
-	-	-	-
PA	-	-	-
V2	-	-	-

Technical data			
Width	Length	Height NS 35/7,5	
6.2	54	51.5	
Width	Length	Height NS 32	
6.2	54	56.5	
I _{max} [A]	U _{max} [V]	max. Ø [mm ²]	AWG
40 ¹⁾	800 ¹⁾	0.2 - 4	24 - 12
IEC	UL/CUL	CSA	IEC/ EN 60079-7
800 ¹⁾	250	600	-
32 ¹⁾ / 4	25 / -	20 / -	-
4	-	-	-
24 - 12	28-12	28-14	-
solid	stranded	Ferrule Without / with plastic sleeve	
0.2 - 4	0.2 - 4	0.25 - 4	0.25 - 2.5
0.2 - 1.5	0.2 - 1.5	0.25 - 1.5	-
-	-	-	0.5 - 2.5
4	4	-	-
-	-	-	-
-	-	-	-
-	-	-	-
PA	-	-	-
V2	-	-	-

Technical data			
Width	Length	Height NS 35/7,5	
6.2	54	51.5	
Width	Length	Height NS 32	
6.2	54	56.5	
I _{max} [A]	U _{max} [V]	max. Ø [mm ²]	AWG
40 ¹⁾	800 ¹⁾	0.5 - 6	20 - 10
IEC	UL/CUL	CSA	IEC/ EN 60079-7
800 ¹⁾	250	600	-
40 ¹⁾	25 / -	20 / -	-
-	-	-	-
20 - 10	-	22-14	-
solid	stranded	Ferrule Without / with plastic sleeve	
0.5 - 6	0.5 - 6	-	-
-	-	-	-
-	-	-	-
-	-	-	-
PA	-	-	-
V2	-	-	-

Ordering data			
Type	I _{max}	Order No.	Pcs. / Pkt.
UVKB 4-FS/FS(8-2,8-0,8)		1953017	50

Ordering data			
Type	I _{max}	Order No.	Pcs. / Pkt.
UHK 4-FS(8-2,8-0,8)		2017237	50

Ordering data			
Type	I _{max}	Order No.	Pcs. / Pkt.
UHK 4-FS/FS(12-2,8-0,8)		2017224	50

Accessories			
D-UVKB 4		1920024	50
FBI 10- 6	24 A	0203250	10
ISSBI 10- 6	24 A	0301505	10
IS-K 4		1302338	100
TS-K		1302215	50
PSB 3/10/4		0601292	10
PSBJ 3/13/4		0201304	10

Accessories			
D-HK 4		2002022	50
EB 2- 6	30 A	0201155	100
EB 3- 6	30 A	0201142	100
EB 10- 6	30 A	0201139	10
D-UVK 4		1922022	50
SF-SL 0,6X3,5-100 S-VDE		1212587	10

Accessories			
D-HK 4		2002022	50
D-UVK 4		1922022	50

ZB 6 (see Catalog 5)

ZB 6 (see Catalog 5)

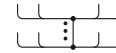
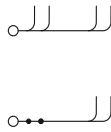
ZB 6 (see Catalog 5)

Modular terminal blocks

UK universal modular terminal blocks with special connection

VBST ... and PVB ... feed-through terminal blocks with spade connection

- The particular feature of the VBST 4-FS (6-2,8-0,8) is its gold-plated contact pin, which serves as a way of inserting a 10-pos. module plug
- The terminal block therefore also has the function of a plug-in coupling which can be used to connect individual controller modules with the terminal strip in a flash



Notes:
 1) Current and voltage data for slip-on connections in acc. with EN 61210 are also dependent on nominal size, material, insulation of the receptacle and conductor cross section.
 2) Nominal current of the module plug per position: 13 A.

2.5 (4) mm², 32 A, feed-through terminal block, with screw and spade Connection

4 (6) mm², 30 A, equipotential bonder terminal block base with spade connection

Dimensions		[mm]
Max. electrical data		
Rated voltage	[V]	800 ¹⁾
Nominal current / cross section	[A] / [mm ²]	24 / 2.5
Rated cross section	[mm ²]	2.5
Cross section range	AWG	24 - 12
Connection capacity of screw connection		
1 conductor	[mm ²]	0.2 - 4
Two conductors (of the same type)	[mm ²]	0.2 - 1.5
Two stranded conductors with a TWIN ferrule	[mm ²]	0.2 - 1.5
Max. cross section with insertion bridge	[mm ²]	2.5
General data		
Stripping length	[mm]	8
Screw thread		M3
Tightening torque	[Nm]	0.6 - 0.8
Insulating material		PA
Inflammability class according to UL 94		V2

Technical data				
Width	Length	Height NS 35/7,5		
6.2	72	39.5		
I_{max} [A]	U_{max} [V]	max. Ø [mm ²]	AWG	
32 ²⁾	800 ¹⁾	0.2 - 4	24 - 12	
IEC	UL/CUL	CSA	IEC/EN 60079-7	
800 ¹⁾	-	-	-	
24 / 2.5	- / -	-	-	
2.5	-	-	-	
24 - 12	-	-	-	
Connection capacity of screw connection		Ferrule		
		Without / with plastic sleeve		
0.2 - 4	0.2 - 2.5	0.25 - 4	0.25 - 2.5	
0.2 - 1.5	0.2 - 1.5	0.25 - 1	-	
			0.5 - 1.5	
2.5	2.5			

Technical data				
Width	Length	Height NS 35/7,5		
17	80	43.5		
I_{max} [A]	U_{max} [V]	max. Ø [mm ²]	AWG	
30 ¹⁾	800 ¹⁾	0.5 - 6	20 - 10	
IEC	UL/CUL	CSA	IEC/EN 60079-7	
800 ¹⁾	-	-	-	
30 ¹⁾ / 4	- / -	-	-	
4	-	-	-	
20 - 10	-	-	-	
Connection capacity of screw connection		Ferrule		
		Without / with plastic sleeve		
0.5 - 6	0.5 - 6	-	-	
-	-	-	-	

Ordering data		
Description	No. of pos.	Color
Terminal block , for mounting on NS 35..., with three slotted 6.3/2.8 mm flat plugs		gray
Terminal block , for mounting on NS 35..., with two slotted 6.3/2.8 mm flat plugs and double function shaft for FBS ...6 plug-in bridges		gray
Equipotential bonder , for mounting on NS 35... with slotted 6.3/2.8 mm flat plugs, 8 slots, terminal width: 17 mm		gray
Equipotential bonder , for mounting on NS 35... with slotted 6.3/2.8 mm flat plugs, 12 slots, terminal width: 23.2 mm		gray
Equipotential bonder , for mounting on NS 35... with slotted 6.3/2.8 mm flat plugs, 20 slots, terminal width: 35.6 mm		gray
Equipotential bonder , for mounting on NS 35... with slotted 6.3/2.8 mm flat plugs, 40 slots, terminal width: 66.6 mm		gray

Ordering data				
Type	I_{max}	Order No.	Pcs. / Pkt.	
VBST 4-FS(6-2,8-0,8)		0852012	50	
VBSTB 4-FS (6-2,8-0,8)		3070435	50	

Ordering data		
Type	Order No.	Pcs. / Pkt.
PVB 2	0870023	10
PVB 3	0870036	10
PVB 5	0870052	10
PVB10	0870120	5

Accessories		
Item	Color	
Cover and partition plate , width 2.2 mm	gray	
Insertion bridge , insulated		
	2	gray
	3	gray
	10	gray
Screwdriver		
Center groove labeling		

Accessories				
Item		Order No.	Pcs. / Pkt.	
D/TP-VBS		0851026	50	
EB 2- 6	24 A	0201155	100	
EB 3- 6	24 A	0201142	100	
EB 10- 6	24 A	0201139	10	
SF-SL 0,6X3,5-100 S-VDE		1212587	10	
ZB 6 (see Catalog 5)				

Accessories		
Item	Order No.	Pcs. / Pkt.
ZB 6 (see Catalog 5)		

USK ... feed-through terminal blocks with spade connection

Notes:
 For corresponding slip-on sleeves, see Catalog 5.
 1) Current and voltage data for spade connections according to EN 61210 also depends on the nominal size, material, insulation of the slip-on sleeve, and conductor cross section.



4 (4) mm², 32 A, feed-through terminal block, with screw and spade connection



4 (6) mm², 32 A, feed-through terminal block, with spade connection



Technical data				
Dimensions	Width	Length	Height NS 35/7,5	
	6.2	42.5	45.5	
Dimensions	Width	Length	Height NS 32	
	6.2	42.5	50.5	
Max. electrical data	I _{max} [A]	U _{max} [V]	max. Ø [mm ²]	AWG
	32 ¹⁾	800 ¹⁾	0.2 - 4	24 - 12
Rated data	IEC	UL/CUL	CSA	IEC/EN 60079-7
Rated voltage	800 ¹⁾	600	600	-
Nominal current / cross section	32 ¹⁾ / 4	20 / -	20 / -	-
Rated cross section	4	-	-	-
Cross section range	AWG 24 - 12	28-12	28-12	-
Connection capacity	solid	stranded	Ferrule Without / with plastic sleeve	
1 conductor	0.2 - 4	0.2 - 4	0.25 - 4	0.25 - 2.5
Two conductors (of the same type)	0.2 - 1	0.2 - 1.5	0.25 - 1.5	-
Two stranded conductors with a TWIN ferrule				0.5 - 2.5
Max. cross section with insertion bridge	2.5	2.5		
General data	Stripping length	9		
	Screw thread	M3		
	Tightening torque	0.6 - 0.8		
	Insulating material	PA		
	Inflammability class according to UL 94	V2		

Technical data				
Dimensions	Width	Length	Height NS 35/7,5	
	6.2	42.5	45.5	
Dimensions	Width	Length	Height NS 32	
	6.2	42.5	50.5	
Max. electrical data	I _{max} [A]	U _{max} [V]	max. Ø [mm ²]	AWG
	32 ¹⁾	800 ¹⁾	0.5 - 6	20 - 10
Rated data	IEC	UL/CUL	CSA	IEC/EN 60079-7
Rated voltage	800 ¹⁾	600	600	-
Nominal current / cross section	32 ¹⁾ / 4	20 / -	20 / -	-
Rated cross section	4	-	-	-
Cross section range	AWG 20 - 10	-	-	-
Connection capacity	solid	stranded	Ferrule Without / with plastic sleeve	
0.5 - 6	0.5 - 6	-	-	-
-	-	-	-	-
General data	Stripping length	9		
	Screw thread	M3		
	Tightening torque	0.6 - 0.8		
	Insulating material	PA		
	Inflammability class according to UL 94	V2		

Ordering data			
Type	I _{max}	Order No.	Pcs. / Pkt.
USK 4-FSR(4-2,8-0,8)		0270018	50

Ordering data		
Type	Order No.	Pcs. / Pkt.
USK 4-FS/FS(8-2,8-0,8)	0271017	50

Accessories			
D-USK 4/10		0260028	50
EB 2-6	24 A	0201155	100
EB 3-6	24 A	0201142	100
EB 10-6	24 A	0201139	10
SF-SL 0,6X3,5-100 S-VDE		1212587	10
ZB 6 (see Catalog 5)			

Accessories		
D-USK 4/10	0260028	50
ZB 6 (see Catalog 5)		

Description	No. of pos.	Color
Terminal block , for mounting on NS 32... or NS 35...		gray
Terminal block , for mounting on NS 32... or NS 35..., with slotted 6.3/2.8 mm flat plugs		gray

Cover , width 1.3 mm		gray
Insertion bridge , insulated		
	2	gray
	3	gray
	10	gray
Screwdriver		
Center groove labeling		

UK universal modular terminal blocks with special connection

UKK ... double-level terminal blocks with screw/spade connection



4 (4) mm², 20 A, double-level terminal block with screw and spade connection



4 (6) mm², 20 A, double-level terminal block with spade connection

Notes:
Important note:
 The notched partition plate must be removed to bridge the terminal blocks.
 For corresponding slip-on sleeves, see Catalog 5.
¹⁾ Current and voltage data for spade connections according to EN 61210 also depends on the nominal size, material, insulation of the slip-on sleeve, and conductor cross section.



Technical data				
Dimensions	Width	Length	Height NS 35/7,5	
	6.2	72	59	
Dimensions	Width	Length	Height NS 32	
	6.2	72	64	
Max. electrical data	I _{max} [A]	U _{max} [V]	max. Ø [mm ²]	AWG
	20 ¹⁾	400 ¹⁾	0.2 - 4	24 - 12
Rated data	IEC	UL/CUL	CSA	IEC/EN 60079-7
Rated voltage	400 ¹⁾	300	-	-
Nominal current / cross section	20 ¹⁾ / 4	20 / -	-	-
Rated cross section	4	-	-	-
Cross section range	24 - 12	30-10	-	-
Connection capacity	solid	stranded	Ferrule Without / with plastic sleeve	
1 conductor	0.2 - 4	0.2 - 4	0.25 - 4	0.25 - 2.5
Two conductors (of the same type)	0.2 - 1	0.2 - 1.5	0.25 - 1.5	-
Two stranded conductors with a TWIN ferrule	-	-	-	0.5 - 1.5
Max. cross section with insertion bridge	4	2.5	-	-
General data				
Stripping length	8			
Screw thread	M3			
Tightening torque	0.6 - 0.8			
Insulating material	PA			
Inflammability class according to UL 94	V2			



Technical data				
Dimensions	Width	Length	Height NS 35/7,5	
	6.2	72	59	
Dimensions	Width	Length	Height NS 32	
	6.2	72	64	
Max. electrical data	I _{max} [A]	U _{max} [V]	max. Ø [mm ²]	AWG
	20 ¹⁾	400 ¹⁾	0.5 - 6	20 - 10
Rated data	IEC	UL/CUL	CSA	IEC/EN 60079-7
Rated voltage	400 ¹⁾	300	-	-
Nominal current / cross section	20 ¹⁾ / 4	20 / -	-	-
Rated cross section	4	-	-	-
Cross section range	20 - 10	-	-	-
Connection capacity	solid	stranded	Ferrule Without / with plastic sleeve	
1 conductor	0.5 - 6	0.5 - 6	-	-
Two conductors (of the same type)	-	-	-	-
Two stranded conductors with a TWIN ferrule	-	-	-	-
Max. cross section with insertion bridge	-	-	-	-
General data				
Stripping length	8			
Screw thread	-			
Tightening torque	-			
Insulating material	PA			
Inflammability class according to UL 94	V0			

Ordering data						
Description	No. of pos.	Color	Type	I _{max}	Order No.	Pcs. / Pkt.
Double-level terminal block, with disconnect knife, for mounting on NS 32... or NS 35..., with screw connection and slotted 6.3/2.8 mm flat plugs		gray	UKK 4-FS		2770561	50
Double-level terminal block, with disconnect knife, for mounting on NS 32... or NS 35..., with slotted 6.3/2.8 mm flat plugs on both sides		gray				

Ordering data						
Description	No. of pos.	Color	Type	I _{max}	Order No.	Pcs. / Pkt.
Double-level terminal block, with disconnect knife, for mounting on NS 32... or NS 35..., with screw connection and slotted 6.3/2.8 mm flat plugs		gray	UKK 4-FS/FS		2771133	50

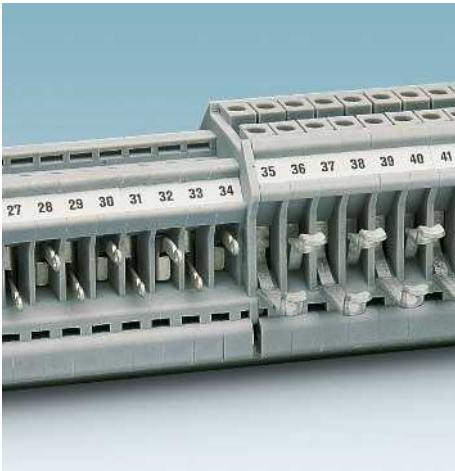
Accessories						
Cover, width 1.5 mm		gray	D-UKK 4		2770558	50
Fixed bridge, insulated	10	silver	FBI 10- 6	20 A	0203250	10
Insertion bridge, insulated	2	gray	EB 2- 6	20 A	0201155	100
	3	gray	EB 3- 6	20 A	0201142	100
	10	gray	EB 10- 6	20 A	0201139	10
	10	silver	ISSBI 10- 6	20 A	0301505	10
Isolator bridge bar, divisible, with 10 screws, for switchable branches with IS-K...	10	silver	IS-K 4		1302338	100
Bridge bar isolator, as distance piece for isolator bridge bar		gray	PSB 3/10/4		0601292	10
Test socket		silver	PSBJ 3/13/4		0201304	10
Test socket, insulated, can be used only with FBI and ISSBI		silver	SF-SL 0,6X3,5-100 S-VDE		1212587	10
Screwdriver			ZB 6 (see Catalog 5)			

Accessories						
Cover, width 1.5 mm		gray	D-UKK 4		2770558	50
Fixed bridge, insulated	10	silver	FBI 10- 6	20 A	0203250	10
Insertion bridge, insulated	2	gray	EB 2- 6	20 A	0201155	100
	3	gray	EB 3- 6	20 A	0201142	100
	10	gray	EB 10- 6	20 A	0201139	10
	10	silver	ISSBI 10- 6	20 A	0301505	10
Isolator bridge bar, divisible, with 10 screws, for switchable branches with IS-K...	10	silver	IS-K 4		1302338	100
Bridge bar isolator, as distance piece for isolator bridge bar		gray	PSB 3/10/4		0601292	10
Test socket		silver	PSBJ 3/13/4		0201304	10
Test socket, insulated, can be used only with FBI and ISSBI		silver	SF-SL 0,6X3,5-100 S-VDE		1212587	10
Screwdriver			ZB 6 (see Catalog 5)			

Modular terminal blocks

UK universal modular terminal blocks with special connection

UK ... feed-through terminal block with screw/solder connection



- The soldering tags have a 1.2 mm diameter hole on their outside in which the solid connection conductor up to 2.5 mm² can be inserted and soldered on with strain relief
- A notch simplifies the process of wrapping a thin connection conductor or connecting bridges with neighboring terminal blocks
- When soldering, the design of the soldering tabs as a narrow thermal point with a low thermal capacity reduces the flow of heat to the inner metal parts, which is essential to smooth solder connections
- Test socket hole for 2.3 mm diameter test plugs



4 (4) mm², 24 A, feed-through terminal block, with screw and solder connection



Dimensions	
Dimensions	[mm]
Max. electrical data	
Rated data	
Rated voltage	[V]
Nominal current / cross section	[A] / [mm ²]
Rated cross section	[mm ²]
Cross section range	AWG
Connection capacity of screw connection	
1 conductor	[mm ²]
Two conductors (of the same type)	[mm ²]
Two stranded conductors with a TWIN ferrule	[mm ²]
Max. cross section with insertion bridge	[mm ²]
Connection capacity solder connection	
1 conductor	[mm ²]
General data	
Stripping length	[mm]
Screw thread	
Tightening torque	[Nm]
Insulating material	
Inflammability class according to UL 94	

Technical data			
Width	Length	Height NS 35/7,5	
6.2	56	47	
Width	Length	Height NS 32	
6.2	56	52	
I _{max} [A]	U _{max} [V]	max. Ø [mm ²]	AWG
24	500	0.2 - 4	24 - 12
IEC	UL/CUL	CSA	IEC/EN 60079-7
500	250	-	-
24 / 4	25 / -	-	-
4	-	-	-
24 - 12	28-12	-	-
Connection capacity of screw connection		Ferrule	
solid	stranded	Without / with plastic sleeve	
1 conductor	Two conductors (of the same type)	0.25 - 4	0.25 - 2.5
0.2 - 4	0.2 - 1.5	0.25 - 1.5	-
0.2 - 1	0.2 - 1.5	-	0.5 - 1.5
2.5	2.5	-	
Connection capacity solder connection		Ferrule	
solid	stranded	Without / with plastic sleeve	
1 conductor	0.2 - 2.5	-	-
0.2 - 2.5	0.2 - 1.5	-	
General data			
Stripping length	13		
Screw thread	M3		
Tightening torque	0.6 - 0.8		
Insulating material	PA		
Inflammability class according to UL 94	V2		

Description	No. of pos.	Color
Terminal block , for mounting on NS 32... or NS 35..., screw connection on left and solder connection on right		gray
Terminal block , for mounting on NS 32... or NS 35..., solder connection on both sides		gray

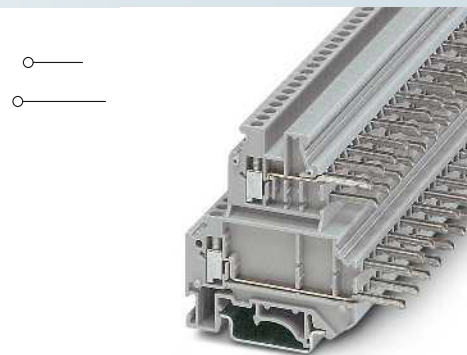
Ordering data			
Type	I _{max}	Order No.	Pcs. / Pkt.
UK 4-LOER		3014019	50
UK 4-LOE/LOE		3012011	50

Cover , width 1.8 mm		gray
Fixed bridge , insulated	10	silver
Insertion bridge , insulated	2	gray
	3	gray
	10	gray
Switch bar for 2 terminal blocks , complete, to increase insulation an end cover must be interposed	2	silver
Separating disk , for separation of neighboring bridges, can be fitted later, no loss of pitch		gray
Partition plate , 1.5 mm wide		gray
Test socket		silver
Screwdriver		
Lateral groove labeling		

Accessories			
Type	I _{max}	Order No.	Pcs. / Pkt.
D-UK 4/10		3003020	50
FBI 10- 6	24 A	0203250	10
EB 2- 6	24 A	0201155	100
EB 3- 6	24 A	0201142	100
EB 10- 6	24 A	0201139	10
USBR 2-7	23 A	2303239	1
TS-K		1302215	50
ATP-UK		3003224	50
PSB 3/10/4		0601292	10
SF-SL 0,6X3,5-100 S-VDE		1212587	10
ZB 6 (see Catalog 5)			

UKK ... double-level terminal blocks with screw/solder connection

- The soldering tags have a 1.2 mm diameter hole on their outside in which the solid connection conductor up to 2.5 mm² can be inserted and soldered on with strain relief
- A notch simplifies the process of wrapping a thin connection conductor or connecting bridges with neighboring terminal blocks
- When soldering, the design of the soldering tabs as a narrow thermal point with a low thermal capacity reduces the flow of heat to the inner metal parts, which is essential to smooth solder connections
- Even if fully wired, the level offset offers unobstructed access to the lower connection level



2.5 (4) mm², 15 A, double-level terminal block with screw and solder connection



Dimensions	
	[mm]
Dimensions	[mm]
Max. electrical data	
Rated data	
Rated voltage	[V]
Nominal current / cross section	[A] / [mm ²]
Rated cross section	[mm ²]
Cross section range	AWG
Connection capacity of screw connection	
1 conductor	[mm ²]
Two conductors (of the same type)	[mm ²]
Two stranded conductors with a TWIN ferrule	[mm ²]
Max. cross section with insertion bridge	[mm ²]
Connection capacity solder connection	
1 conductor	[mm ²]
General data	
Stripping length	[mm]
Screw thread	
Tightening torque	[Nm]
Insulating material	
Inflammability class according to UL 94	

Technical data			
Width	Length	Height NS 35/7,5	
5.2	70.5	62	
Width	Length	Height NS 32	
5.2	70.5	67	
I _{max} [A]	U _{max} [V]	max. Ø [mm ²]	AWG
15	400	0.2 - 4	24 - 12
IEC	UL/CUL	CSA	IEC/EN 60079-7
400	-	-	-
15 / 1.5	- / -	-	-
2.5	-	-	-
24 - 12	-	-	-
solid	stranded	Ferrule	
		Without / with plastic sleeve	
0.2 - 4	0.2 - 2.5	0.25 - 2.5	0.25 - 2.5
0.2 - 1	0.2 - 1.5	0.25 - 1	-
			0.5 - 1.5
2.5	2.5	Ferrule	
solid	stranded	Without / with plastic sleeve	
0.2 - 1.5	0.2 - 1.5	-	-
8			
M3			
0.6 - 0.8			
PA			
V2			

Description	No. of pos.	Color
Terminal block , for mounting on NS 32... or NS 35...		gray
		blue

Ordering data			
Type	I _{max}	Order No.	Pcs. / Pkt.
UKK 3-LOER		2778013	50
UKK 3-LOER BU		2778097	50

Cover , width 2.5 mm		gray
		blue
Spacer cover , compensates for level offset if standard terminal blocks are to be fitted adjacently, 2.5 mm thick		gray
Spacer plate , compensates for level offsets, width 2.5 mm		gray
Insertion bridge , insulated	10	gray
Separating disk , for separation of neighboring bridges, can be fitted later, no loss of pitch		gray
Partition plate , 2.5 mm wide		gray
Screwdriver		
Lateral groove labeling		

Accessories			
Type	I _{max}	Order No.	Pcs. / Pkt.
D-UKK 3/5		2770024	50
D-UKK 3/5 BU		2770105	50
DG-UKK 3/5		2770817	50
DP-UKK 3/5		2770794	50
EBL 10- 5	13.5 A	2303132	10
TS-KK 3		2770215	50
ATP-UKK 3/5		2778521	50
SF-SL 0,6X3,5-100 S-VDE		1212587	10
ZB 5 (see Catalog 5)			

Modular terminal blocks

UK universal modular terminal blocks with special connection

UK ...-TP... terminal blocks with TERMI-POINT® connection



- With the TERMI-POINT® versions, a distinction is made between lengthwise and crosswise to the terminal block depending on the pin position
- The pins arranged lengthwise should be used for terminal strips mounted vertically and those arranged crosswise for the strips mounted horizontally for convenient tool handling
- A maximum of three connections can be made on the connection pins



4 (4) mm², 10 A, feed-through terminal block, with screw and TP connection



Dimensions		[mm]	
Dimensions		[mm]	
Max. electrical data			
Rated data, screw connection			
Rated voltage	[V]	250	-
Nominal current / cross section	[A] / [mm ²]	10 / 4	- / -
Rated cross section	[mm ²]	4	-
Cross section range	AWG	24 - 12	-
Rated data TERMI-POINT® connection			
Rated voltage	[V]	250	-
Nominal current / cross section	[A] / [mm ²]	5	- / -
Rated cross section	[mm ²]	4	-
Cross section range	AWG	24 - 20	-
Connection capacity of screw connection			
1 conductor	[mm ²]	0.2 - 4	0.2 - 4
Two conductors (of the same type)	[mm ²]	0.2 - 1	0.2 - 1.5
Two stranded conductors with a TWIN ferrule	[mm ²]		
Max. cross section with insertion bridge	[mm ²]		0.5 - 2.5
General data			
Stripping length	[mm]	9	
Screw thread		M3	
Tightening torque	[Nm]	0.6 - 0.8	
Insulating material		PA	
Inflammability class according to UL 94		V2	

Technical data			
Width	Length	Height NS 35/7,5	
6.2	42.5	68	
Width	Length	Height NS 32	
6.2	42.5	73	
I _{max} [A]	U _{max} [V]	max. Ø [mm ²]	AWG
10	250	0.2 - 4	24 - 12
IEC	UL/CUL	CSA	IEC/EN 60079-7
250	-	-	-
10 / 4	- / -	-	-
4	-	-	-
24 - 12	-	-	-
IEC	UL/CUL	CSA	IEC/EN 60079-7
250	-	-	-
5	- / -	-	-
4	-	-	-
24 - 20	-	-	-
solid	stranded	Ferrule	
		Without / with plastic sleeve	
0.2 - 4	0.2 - 4	0.25 - 4	0.25 - 1.5
0.2 - 1	0.2 - 1.5	0.25 - 1.5	-
			0.5 - 2.5

Description	No. of pos.	Color
Terminal block, with 2.4 x 0.8 TP pin, longitudinal pin for vertical mounting		gray
Transverse pin for horizontal mounting		gray

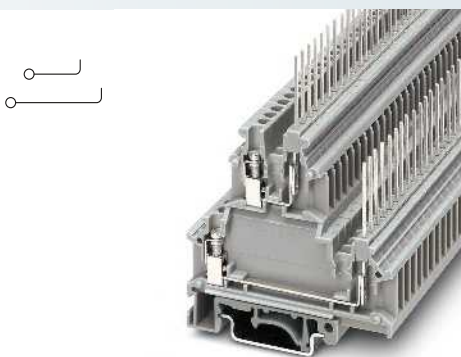
Cover, width 1.8 mm		gray
Spacer cover, compensates for level offset if standard terminal blocks are to be fitted adjacently, 2.5 mm thick		gray
Spacer plate, compensates for level offsets, width 2.5 mm		gray
Fixed bridge, insulated	10	silver
Insertion bridge, insulated	2	gray
	3	gray
	10	gray
Partition plate, 2.5 mm wide		gray

Screwdriver		
Lateral groove labeling		

Ordering data			
Type	I _{max}	Order No.	Pcs. / Pkt.
UK 4-TP(2,4X0,8)L		3086021	50
UK 4-TP(2,4X0,8)Q		3086034	50

Accessories			
D-UK 4/10		Order No.	Pcs. / Pkt.
		3003020	50
FBI 10- 6	10 A	0203250	10
EB 2- 6	10 A	0201155	100
EB 3- 6	10 A	0201142	100
EB 10- 6	10 A	0201139	10
SF-SL 0,6X3,5-100 S-VDE		1212587	10
ZB 6 (see Catalog 5)			

UK universal modular terminal blocks with special connection



Feed-through terminal block, with TP connection

2.5 (4) mm², 10 A, double-level terminal block with screw and TP® connection



Technical data			
Width	Length	Height NS 35/7,5	
6.2	42.5	68	
Width	Length	Height NS 32	
6.2	42.5	73	
	U _{max.} [V]	max. Ø [mm ²]	AWG
	250	0.2 - 0.5	24 - 20
IEC	UL/CUL	CSA	IEC/EN 60079-7
250	-	-	-
5	-/-	-	-
-	-	-	-
24 - 20	-	-	-
IEC	UL/CUL	CSA	IEC/EN 60079-7
250	-	-	-
5	-/-	-	-
-	-	-	-
24 - 20	-	-	-
solid	stranded	Ferrule Without / with plastic sleeve	
0.2 - 0.5	0.2 - 0.5	-	-
-	-	-	-
-	-	-	-
-	-	-	-
PA	-	-	-
V2	-	-	-

Technical data			
Width	Length	Height NS 35/7,5	
5.2	67	85	
Width	Length	Height NS 32	
5.2	67	90	
	I _{max.} [A]	U _{max.} [V]	max. Ø [mm ²]
	10	250	0.2 - 4
IEC	UL/CUL	CSA	IEC/EN 60079-7
250	300	-	-
10 / 2.5	5 / -	-	-
2.5	-	-	-
24 - 12	28-12	-	-
IEC	UL/CUL	CSA	IEC/EN 60079-7
125	300	-	-
5	5 / -	-	-
2.5	-	-	-
24 - 20	28-12	-	-
solid	stranded	Ferrule Without / with plastic sleeve	
0.2 - 4	0.2 - 2.5	0.25 - 2.5	0.25 - 1.5
0.2 - 1	0.2 - 1.5	0.25 - 1.5	-
			0.5 - 1.5
4	2.5		
8			
M3			
0.6 - 0.8			
PA			
V2			

Ordering data		
Type	Order No.	Pcs. / Pkt.
UK 4-TP/TP(2,4X0,8)L	3086047	50
UK 4-TP/TP(2,4X0,8)Q	3086063	50

Ordering data			
Type	I _{max.}	Order No.	Pcs. / Pkt.
UKKB 3-TP(2,4X0,8)L		2773254	50
UKKB 3-TP(2,4X0,8)Q		2773267	50

Accessories		
D-UK 4/10	3003020	50

Accessories			
D-UKKB 3/5		2771023	50
DG-UKKB 3/5		2770859	50
DP-UKKB 3/5		2770804	50
EBL 10-5	10 A	2303132	10
ATP-UKKB 3		2771065	50
SF-SL 0,6X3,5-100 S-VDE		1212587	10

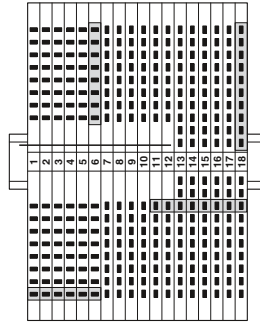
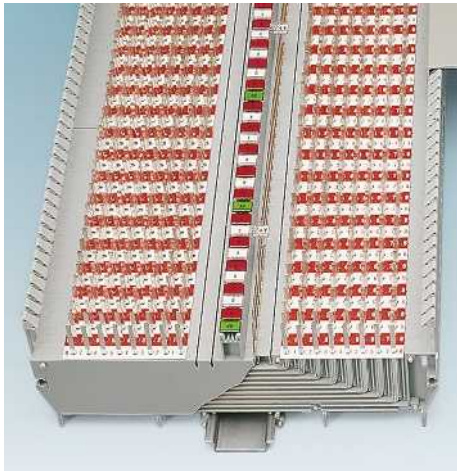
ZB 6 (see Catalog 5)

ZB 5 (see Catalog 5)

Modular terminal blocks

UK universal modular terminal blocks with special connection

RV 8 marshalling distributor



RV 8-TP (2,4 x 0,8) Q
RV 8-TP (2,4 x 0,8) L



5 A, marshalling distributor, 8 levels with TP connection

- The RV 8 element has 8 TERMI-POINT®(TP) pins 2.4 x 0.8 mm for the inlet and outlet conductor on both sides of the raised labeling rib
- There are two housing grooves between the pin panel and labeling rib into which the potential busbars can be inserted
- The external housing bridge bars take on the function of a cable duct side wall such that good cable routing is ensured and standard cable duct covers can be used
- The red and white labeling masks with alternating negative/positive 1-8 or a-h labeling clearly distinguish the rows of pins and make the process of connecting and finding particular connections much easier

Notes:
1) For load diagram, visit www.phoenixcontact.net/products

Dimensions		[mm]
Max. electrical data		
Rated data		
Rated voltage	[V]	250
Nominal current / cross section	[A] / [mm ²]	5
Rated cross section	[mm ²]	-
Cross section range	AWG	24 - 20
General data		
Insulating material		
Inflammability class according to UL 94		

Description	Color
Marshalling distributor 8-pos. , with sliding foot for mounting on NS 35..., with 2.4 x 0.8 TP pins, longitudinal pin for perpendicular mounting	gray
Transverse pin for horizontal mounting	gray
Marshalling distributor 8-pos. , with sliding foot for mounting on NS 35..., with 2.4 x 0.8 TP pins, equipotential bonder with bridged pins, longitudinal pins for perpendicular mounting	gray

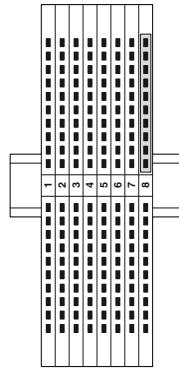
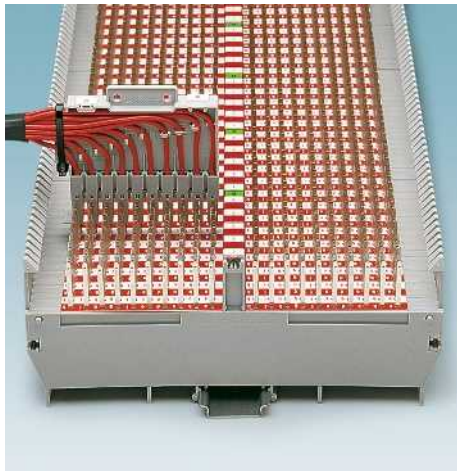
Terminating element , width 7.62 mm	gray
Busbar , with slotted 6.3/2.8 mm flat plugs, brass, tin-plated, length: 1 m	
Clamp set , for holding together RV blocks, for 80 marshalling distributors	
Pair of marking masks , in positive/negative, white/red print for marking the individual pins, with horizontal printing	
Front: 1-8, reverse: 8-1	white
Front: a-h, reverse: h-a	white
Cable housing , 40-pos., complete with crimp contacts	
Module socket contact , 0.5 - 1 mm ²	silver
Module plug housing , for longitudinal pins, for accommodating the STG-MTN module socket contacts, 1-pos.	gray
2-pos.	
8-pos.	
10-pos.	
Module plug housing , for transverse pins, for accommodating the STG-MTN module socket contacts, 2-pos.	black
8-pos.	
Strain relief , for STG 8-position plug housings, with single-sided coupling spring	black
With double-sided coupling spring	black
Center groove labeling	

Technical data			
Width	Length	Height NS 35/7,5	
7.6	202	81.5	
I _{max.} [A]	U _{max.} [V]	max. Ø [mm ²]	AWG
5 ¹⁾	250	0.22 - 0.56	24 - 20
IEC	UL/CUL	CSA	IEC/EN 60079-7
250	-	-	-
5	- / -	-	-
-	-	-	-
24 - 20	-	-	-
PA			
V0			

Ordering data		
Type	Order No.	Pcs. / Pkt.
RV 8-TP(2,4X0,8)L	3191013	5
RV 8-TP(2,4X0,8)Q	3191217	5
RV 8-PV-TP(2,4X0,8)L	3191039	5

Accessories		
Type	Order No.	Pcs. / Pkt.
D-RV 8	3191026	5
S-FS (2,8X0,8)	3191699	1
RV 8-SPSA	3193011	1
KZMP-RV 8:1-8	3191330	10
KZMP-RV 8:A-H	3191327	10
KGS-RV 10	3192106	10
STG-MTN 0,5-1,0	3190438	100
STG 1-RV/L	3190124	50
STG 2-RV/L	3190137	50
STG 8-RV/L	3190195	50
STG 10-RV/L	3190205	50
STG 2-RV/Q	3190247	50
STG 8-RV/Q	3190302	50
STGZ BK	3193134	10
STGZ 1 BK	3193147	10
ZB 7,62 (see Catalog 5)		

RVS 10 marshalling distributor



5 A, marshalling distributor, 10 levels with TP connection

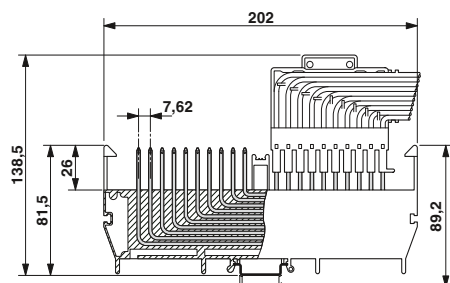
- The RVS 10 element has 10 TERMI-POINT®(TP) pins 2.4 x 0.8 mm for the inlet and outlet conductor on both sides of the raised labeling rib
- The external housing bridge bars take on the function of a cable duct side wall such that good cable routing is ensured and standard cable duct covers can be used
- The red and white labeling masks with alternating negative/positive 1-10 or a-k labeling clearly distinguish the rows of pins and make the process of connecting and finding particular connections much easier

Notes:
 1) For load diagram, visit www.phoenixcontact.net/products

Dimensions	[mm]
Max. electrical data	
Rated data	
Rated voltage	[V]
Nominal current / cross section	[A] / [mm ²]
Rated cross section	[mm ²]
Cross section range	AWG
General data	
Insulating material	
Inflammability class according to UL 94	

Description	Color
Marshalling distributor 10-pos., with sliding foot for mounting on NS 35..., with 2.4 x 0.8 TP pins	gray

End element , 6.2 mm wide, also for forming sections	gray
Clamp set , for holding together RV blocks, for 80 marshalling distributors	
Pair of marking masks , in positive/negative, white/red print for marking the individual pins, with horizontal printing	
Front: 1-10, reverse: 10-1	white
Front: a-k, reverse: k-a	white
Cable housing , 40-pos., complete with crimp contacts	
Module socket contact , 0.5 - 1 mm ²	silver
Module plug housing , for longitudinal pins, for accommodating the STG-MTN module socket contacts, 1-pos.	gray
2-pos.	
8-pos.	
10-pos.	
Strain relief , with one-sided coupling spring, for one 10-pos. plug housing	
With double-sided coupling spring, for two 10-pos. plug housing	
Crimping pliers , for rolled contacts 0.5 - 2.5 mm ² , four labeled countersunk stations, unlockable pressure lock, side entry, for STG-MTN module and socket contacts too	black



Technical data			
Width	Length	Height NS 35/7,5	
6.2	202	81.5	
I _{max} [A]	U _{max} [V]	max. Ø [mm ²]	AWG
5 ¹⁾	250	0.22 - 0.56	24 - 20
IEC	UL/CUL	CSA	IEC/EN 60079-7
250	-	-	-
5	-/-	-	-
-	-	-	-
24 - 20	-	-	-
PA			
V2			

Ordering data		
Type	Order No.	Pcs. / Pkt.
RVS 10-TP(2,4X0,8)L	3192038	5

Accessories		
D-RVS 10	3191437	5
RV 8-SPSA	3193011	1
KZMP-RVS 10:1-10	3191408	10
KZMP-RVS 10:A-K	3191372	10
KGS-RVS 10	3190454	10
STG-MTN 0,5-1,0	3190438	100
STG 1-RV/L	3190124	50
STG 2-RV/L	3190137	50
STG 8-RV/L	3190195	50
STG 10-RV/L	3190205	50
STGZ 10-RVS	3192067	25
STGZ 20-RVS	3192054	25
CRIMPFOX MT 2,5	1204038	1

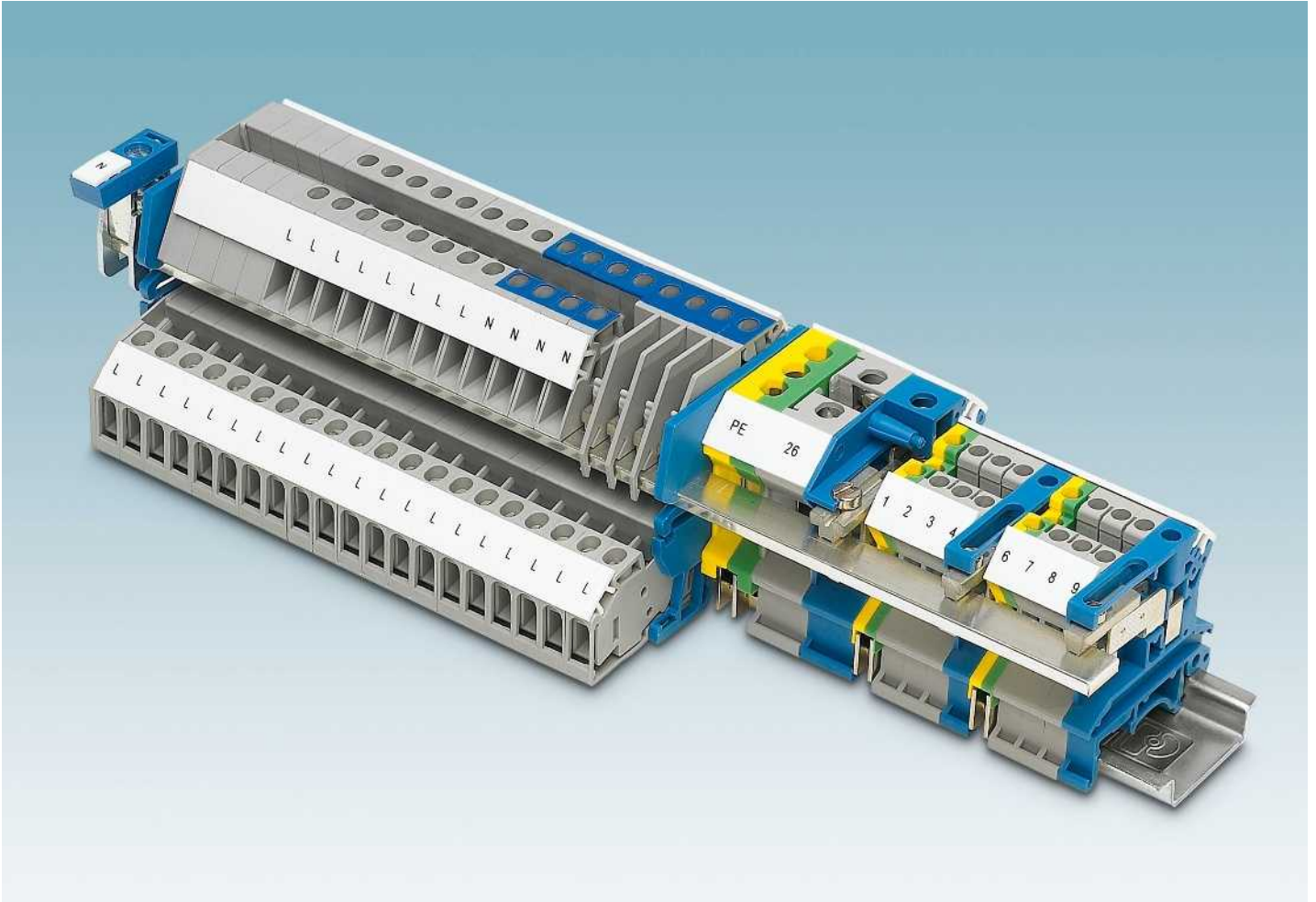
Center groove labeling

ZB 6 (see Catalog 5)

Modular terminal blocks

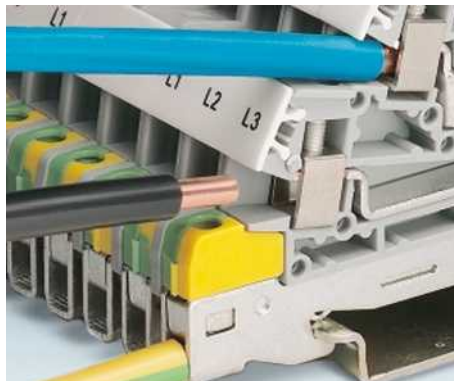
PIK installation terminal blocks

UIK ... and PIK ... installation terminal blocks



For flexible combinations

All installation terminal blocks for the various connection technologies (UTN, push-in, and STI) can be combined in any way. The neutral busbar is on one level across all installation terminal blocks.



Space-saving structure

Compact three-level installation terminal blocks with up to a 10 mm² conductor connection are available for installing larger three-phase loads such as ventilation motors or loads in commercial kitchens.

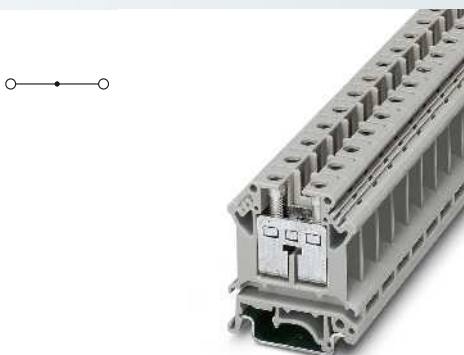


Installation accessories

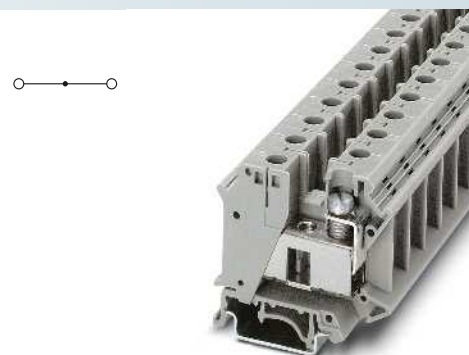
There is an extensive range of accessories for potential distribution and supply. The AKG connection terminal blocks satisfy the requirements of standard DIN VDE 0100 or VDE 0113-1 in terms of color labeling and the ability to label each terminal block.

UIK ... installation terminal blocks

- Installation terminal blocks with a particularly low-profile shape for use in flat distributors
- The asymmetric arrangement of the terminal blocks on the DIN rail allows the PEN conductor busbar to be routed to the terminal block
- UK 1,5 N to UK 16 N standard feed-through terminal blocks can be used in conjunction with the PEN conductor busbar



16 (25) mm², 101 A, feed-through terminal block



35 (35) mm², 125 A, feed-through terminal block



Technical data				
Width	Length	Height NS 35/7,5		
12.2	42.5	47		
Width	Length	Height NS 32		
12.2	42.5	52		
I _{max} [A]	U _{max} [V]	max. Ø [mm ²]	AWG	
101	400	2.5 - 25	12 - 4	
IEC 60947-7-1				
IEC	UL/CUL	CSA	IEC/EN 60079-7	
Rated voltage [V]	400	600	600	-
Nominal current / cross section [A] / [mm ²]	76 / 16	85 / -	85 / -	-
Rated cross section [mm ²]	16	-	-	-
Cross section range AWG	12 - 4	22-4	22-4	-
Connection capacity				
	solid	stranded	Ferrule Without / with plastic sleeve	
1 conductor [mm ²]	2.5 - 25	4 - 16	1.5 - 16	1.5 - 16
Two conductors (of the same type) [mm ²]	1.5 - 6	1.5 - 6	1.5 - 4	-
Two stranded conductors with a TWIN ferrule [mm ²]				0.75 - 10
Max. cross section with insertion bridge [mm ²]	16	16		
General data				
Stripping length [mm]	11			
Screw thread	M4			
Tightening torque [Nm]	1.5 - 1.8			
Insulating material	PA			
Inflammability class according to UL 94	V2			

Technical data				
Width	Length	Height NS 35/7,5		
15.2	55	51		
Width	Length	Height NS 32		
15.2	55	59		
I _{max} [A]	U _{max} [V]	max. Ø [mm ²]	AWG	
125	800	0.75 - 35	18 - 2	
IEC 60947-7-1				
IEC	UL/CUL	CSA	IEC/EN 60079-7	
Rated voltage [V]	800	600	600	-
Nominal current / cross section [A] / [mm ²]	125 / 35	115 / -	130 / -	-
Rated cross section [mm ²]	35	-	-	-
Cross section range AWG	18 - 2	18-2	18-2	-
Connection capacity				
	solid	stranded	Ferrule Without / with plastic sleeve	
0.75 - 35	0.75 - 35	0.75 - 35	0.75 - 35	0.75 - 35
0.75 - 10	0.75 - 10	0.75 - 10	0.75 - 10	-
				0.75 - 6
35	35			
General data				
Stripping length [mm]	16			
Screw thread	M6			
Tightening torque [Nm]	3.2 - 3.7			
Insulating material	PA			
Inflammability class according to UL 94	V2			

Ordering data						
Description	No. of pos.	Color	Type	I _{max}	Order No.	Pcs. / Pkt.
Terminal block, for mounting on NS 32... or NS 35...		gray	UIK 16		3006153	50
		blue	UIK 16 BU		3006205	50

Ordering data						
Description	No. of pos.	Color	Type	I _{max}	Order No.	Pcs. / Pkt.
Terminal block, for mounting on NS 32... or NS 35...		gray	UIK 35		3006182	50
		blue	UIK 35 BU		3006302	50

Accessories						
Cover, width 1.8 mm		gray	D-UK 4/10		3003020	50
		blue	D-UK 4/10 BU		3003101	50
Fixed bridge, insulated						
	2	silver				
	3	silver				
	10	silver	FBI 10-12	101 A	0203454	10
Insertion bridge, divisible, fully insulated						
	2	gray				
	3	gray				
	10	gray	EB 10-12	68 A	3006137	10
Switching jumper for 2 terminal blocks, complete, only mount with short link						
	2	silver				
Separating disk, for separation of neighboring bridges, can be fitted later, no loss of pitch		gray	TS-K		1302215	50
Partition plate, 1.5 mm wide		gray	ATP-UK		3003224	50
Test socket, for test connection with PS test plug		silver	PSB 4/7/6		0303299	10
Screwdriver			SZS 1,0X4,0 VDE		1205066	10
Lateral groove labeling			ZB 12 (see Catalog 5)			

Accessories						
			FBI 2-15	125 A	0201333	10
			FBI 3-15	125 A	0201278	10
			EB 2-15 K/UK 35	101 A	0205119	10
			EB 3-15 K/UK 35	101 A	0205106	10
			EB 10-15 K/UK 35	101 A	0205096	10
			SBH 2-15	120 A	0205232	1
			TS-K		1302215	50
			ATP-UK		3003224	50
			PSB 6/5/6		0205290	10
			SZS 1,0X4,0 VDE		1205066	10
			ZB 15 (see Catalog 5)			

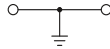
Modular terminal blocks

PIK installation terminal blocks

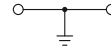
UISLKG ... installation ground terminal blocks

– USLKG 1,5 N to USLKG 16 N standard ground terminal blocks can be used in conjunction with the PEN conductor busbar

Notes:
For current carrying capacity of DIN rails, see page 716.



16 (25) mm², 101 A, ground terminal block



35 (35) mm², 125 A, ground terminal block



Technical data				
Width	Length	Height NS 35/7,5		
12	42.5	47		
Width	Length	Height NS 32		
12	42.5	52		
I _{max} [A]	max. Ø [mm ²]		AWG	
101	2.5 - 25		12 - 3	
IEC 60947-7-2				
IEC	UL/CUL	CSA	IEC/EN 60079-7	
Rated voltage	[V]	-	-	-
Nominal current / cross section	[A] / [mm ²]	76 / 16	- / -	-
Rated cross section	[mm ²]	16	-	-
Cross section range	AWG	12 - 3	22-4	22-4
Connection capacity				
	solid	stranded	Ferrule	
			Without / with plastic sleeve	
1 conductor	[mm ²]	2.5 - 25	2.5 - 16	1.5 - 16
Two conductors (of the same type)	[mm ²]	1.5 - 6	1.5 - 4	1.5 - 6
Two stranded conductors with a TWIN ferrule	[mm ²]			0.75 - 10
Max. cross section with insertion bridge	[mm ²]			
General data				
Stripping length	[mm]	11		
Screw thread		M4		
Tightening torque	[Nm]	1.5 - 1.8		
Insulating material		PA		
Inflammability class according to UL 94		V2		



Technical data				
Width	Length	Height NS 35/7,5		
15	55	51		
Width	Length	Height NS 32		
15	55	59		
I _{max} [A]	max. Ø [mm ²]		AWG	
125	0.75 - 35		18 - 2	
IEC 60947-7-2				
IEC	UL/CUL	CSA	IEC/EN 60079-7	
Rated voltage	[V]	-	-	-
Nominal current / cross section	[A] / [mm ²]	125 / 35	- / -	-
Rated cross section	[mm ²]	35	-	-
Cross section range	AWG	18 - 2	18-2	-
Connection capacity				
	solid	stranded	Ferrule	
			Without / with plastic sleeve	
0.75 - 35	0.75 - 35	0.75 - 35	0.75 - 35	0.75 - 35
0.75 - 16	0.75 - 10	0.75 - 10	-	0.75 - 6
General data				
Stripping length	[mm]	16		
Screw thread		M6		
Tightening torque	[Nm]	3.2 - 3.7		
Insulating material		PA		
Inflammability class according to UL 94		V2		

Ordering data		
Type	Order No.	Pcs. / Pkt.
UISLKG 16	0443052	50
UISLKG 16-1	3001789	50

Ordering data		
Type	Order No.	Pcs. / Pkt.
UISLKG 35	0443065	50
UISLKG 35-1	3001776	50

Accessories		
SZS 1,0X6,5 VDE	1205079	10
ZB 12 (see Catalog 5)		

Accessories		
SZS 1,0X6,5 VDE	1205079	10
ZB 15 (see Catalog 5)		

Description	No. of pos.	Color
Ground terminal block, for mounting on NS 32... or NS 35...		green-yellow
Ground terminal block, for mounting on NS 35/15-2,3		green-yellow

Screwdriver	
Lateral groove labeling	

UKN ... neutral conductor disconnect terminal blocks

- With screw disconnect slide
- Same shape as feed-through, ground conductor and installation terminal blocks

Notes:
Assembly instructions:
 For secure fastening of the neutral busbar, supports must be set at the beginning and end of each terminal strip as well as every 20 cm on longer terminal strips.



2.5 (4) mm², 32 A, neutral disconnect terminal block



4 (6) mm², 36 A, neutral disconnect terminal block



Technical data				
Dimensions	Width	Length	Height NS 35/7,5	
	6.2	43.5	42	
Dimensions	Width	Length	Height NS 32	
	6.2	43.5	47	
Max. electrical data	I _{max} [A]	U _{max} [V]	max. Ø [mm²]	AWG
	32	400	0.2 - 4	24 - 12
Rated data	IEC 60947-7-1	UL/CUL	CSA	IEC/EN 60079-7
	IEC	UL/CUL	CSA	IEC/EN 60079-7
Rated voltage	[V]	400	-	-
Nominal current / cross section	[A] / [mm²]	24 / 2.5	- / -	-
Rated cross section	[mm²]	2.5	-	-
Cross section range	AWG	24 - 12	-	-
Connection capacity		solid	stranded	Ferrule Without / with plastic sleeve
1 conductor	[mm²]	0.2 - 4	0.2 - 2.5	0.25 - 2.5 / 0.25 - 2.5
Two conductors (of the same type)	[mm²]	0.2 - 1.5	0.2 - 1.5	0.25 - 1 / -
Two stranded conductors with a TWIN ferrule	[mm²]			0.5 - 1.5
General data				
Stripping length	[mm]	7		
Terminal point: thread / torque	- / [Nm]	M3 / 0.6 - 0.8		
Disconnect slide: thread / torque	- / [Nm]	M2,5 / 0.5 - 0.6		
Insulating material		PA		
Inflammability class according to UL 94		V2		

Ordering data			
Description	Color	Type	I _{max}
Neutral conductor disconnect terminal block, with universal foot for mounting on NS 32... or NS 35...	blue	UKN 2,5 BU	3032004
			Pcs. / Pkt. 50

Accessories			
Connection terminal block, steel, is pushed onto the NLS neutral busbar, can be labeled using ZB, with insulating cap, solid up to 16 mm², 10 mm wide	blue	AKG 16 BU	0423014
Up to 35 mm² solid, 14.3 mm wide	blue	AKG 35 BU	0424013
Cover, width 1.5 mm	blue	D-UKN 2,5	3032017
PEN conductor busbar, 3 x 10 mm, 1 m long, material: copper, tin-plated, nominal current: 140 A	silver	NLS-CU 3/10 SN 1000MM	0402174
Cover profile, for neutral busbar, 1 m long	transparent	AP-NLS	5037133
Support, blue insulating material, for holding the neutral busbar, must be set every 20 cm, 2 mm wide	blue	UAB	3032428
Support, for fixing DIN rails 21 mm above the mounting surface, with M6 screw, countersunk fixing hole 6.1 mm Ø, can also be used for protective insulation of terminal strips	gray	AB/NS	1201141
Screwdriver		SF-SL 0,6X3,5-100 S-VDE	1212587
Lateral groove labeling		ZB 6 (see Catalog 5)	



Technical data				
Dimensions	Width	Length	Height NS 35/7,5	
	6.2	43.5	47	
Dimensions	Width	Length	Height NS 32	
	6.2	43.5	52	
Max. electrical data	I _{max} [A]	U _{max} [V]	max. Ø [mm²]	AWG
	36	400	0.2 - 6	24 - 10
Rated data	IEC 60947-7-1	UL/CUL	CSA	IEC/EN 60079-7
	IEC	UL/CUL	CSA	IEC/EN 60079-7
Rated voltage	[V]	400	-	-
Nominal current / cross section	[A] / [mm²]	32 / 4	- / -	-
Rated cross section	[mm²]	4	-	-
Cross section range	AWG	24 - 10	-	-
Connection capacity		solid	stranded	Ferrule Without / with plastic sleeve
1 conductor	[mm²]	0.2 - 6	0.2 - 4	0.25 - 4 / 0.25 - 2.5
Two conductors (of the same type)	[mm²]	0.2 - 1.5	0.2 - 1.5	0.25 - 1 / -
Two stranded conductors with a TWIN ferrule	[mm²]			0.5 - 2.5
General data				
Stripping length	[mm]	7		
Terminal point: thread / torque	- / [Nm]	M3 / 0.6 - 0.8		
Disconnect slide: thread / torque	- / [Nm]	M2,5 / 0.5 - 0.6		
Insulating material		PA		
Inflammability class according to UL 94		V2		

Ordering data			
Description	Color	Type	I _{max}
Neutral conductor disconnect terminal block, with universal foot for mounting on NS 32... or NS 35...	blue	UKN 5 BU	3032088
			Pcs. / Pkt. 50

Accessories			
Connection terminal block, steel, is pushed onto the NLS neutral busbar, can be labeled using ZB, with insulating cap, solid up to 16 mm², 10 mm wide	blue	AKG 16 BU	0423014
Up to 35 mm² solid, 14.3 mm wide	blue	AKG 35 BU	0424013
Cover, width 1.5 mm	blue	D-UKN 2,5	3032017
PEN conductor busbar, 3 x 10 mm, 1 m long, material: copper, tin-plated, nominal current: 140 A	silver	NLS-CU 3/10 SN 1000MM	0402174
Cover profile, for neutral busbar, 1 m long	transparent	AP-NLS	5037133
Support, blue insulating material, for holding the neutral busbar, must be set every 20 cm, 2 mm wide	blue	UAB	3032428
Support, for fixing DIN rails 21 mm above the mounting surface, with M6 screw, countersunk fixing hole 6.1 mm Ø, can also be used for protective insulation of terminal strips	gray	AB/NS	1201141
Screwdriver		SF-SL 0,6X3,5-100 S-VDE	1212587
Lateral groove labeling		ZB 6 (see Catalog 5)	

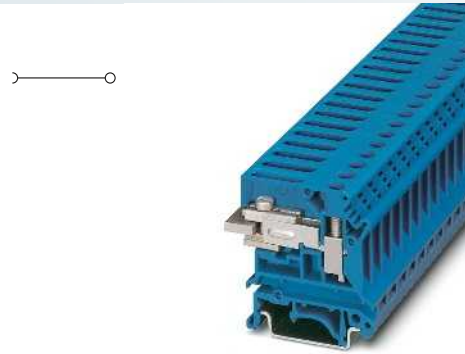
Modular terminal blocks

PIK installation terminal blocks

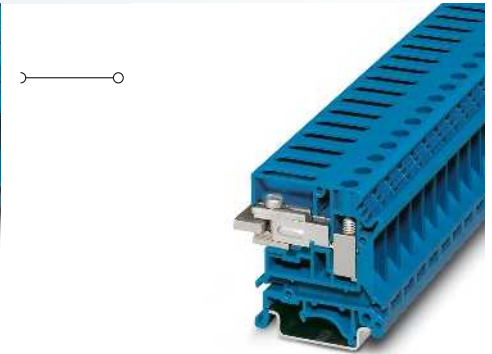
UKN ... neutral conductor disconnect terminal blocks

- With screw disconnect slide
- Same shape as feed-through, ground conductor and installation terminal blocks

Notes:
Assembly instructions:
 For secure fastening of the neutral busbar, supports must be set at the beginning and end of each terminal strip as well as every 20 cm on longer terminal strips.



6 (10) mm², 50 A, neutral disconnect terminal block



10 (16) mm², 63 A, neutral disconnect terminal block

Dimensions	
	[mm]
Dimensions	
	[mm]
Max. electrical data	
Rated data	
Rated voltage	[V]
Nominal current / cross section	[A] / [mm ²]
Rated cross section	[mm ²]
Cross section range	AWG
Connection capacity	
1 conductor	[mm ²]
Two conductors (of the same type)	[mm ²]
Two stranded conductors with a TWIN ferrule	[mm ²]
General data	
Stripping length	[mm]
Terminal point: thread / torque	- / [Nm]
Disconnect slide: thread / torque	- / [Nm]
Insulating material	PA
Inflammability class according to UL 94	V0

Technical data				
Width	Length	Height NS 35/7,5		
8.2	43.5	47		
Width	Length	Height NS 32		
8.2	43.5	52		
I_{max} [A]	U_{max} [V]	max. Ø [mm ²]	AWG	
50	400	0.2 - 10	24 - 8	
IEC 60947-7-1	UL/CUL	CSA	IEC/ EN 60079-7	
400	-	-	-	
41 / 6	- / -	-	-	
6	-	-	-	
24 - 8	-	-	-	
Connection capacity		Ferrule		
	solid	stranded	Without / with plastic sleeve	
1 conductor	0.2 - 10	0.2 - 6	0.25 - 6	0.25 - 6
Two conductors (of the same type)	0.2 - 2.5	0.2 - 2.5	0.25 - 1.5	-
Two stranded conductors with a TWIN ferrule				0.5 - 4
Stripping length	10			
Terminal point: thread / torque	M4 / 1.5 - 1.8			
Disconnect slide: thread / torque	M3 / 0.6 - 0.8			
Insulating material	PA			
Inflammability class according to UL 94	V0			

Technical data				
Width	Length	Height NS 35/7,5		
10.2	43.5	47.3		
Width	Length	Height NS 32		
10.2	43.5	52		
I_{max} [A]	U_{max} [V]	max. Ø [mm ²]	AWG	
63	400	0.5 - 16	20 - 6	
IEC 60947-7-1	UL/CUL	CSA	IEC/ EN 60079-7	
400	-	-	-	
57 / 10	- / -	-	-	
10	-	-	-	
20 - 6	-	-	-	
Connection capacity		Ferrule		
	solid	stranded	Without / with plastic sleeve	
1 conductor	0.5 - 16	0.5 - 10	0.5 - 10	0.5 - 6
Two conductors (of the same type)	0.5 - 4	0.5 - 4	0.5 - 2.5	-
Two stranded conductors with a TWIN ferrule				0.5 - 6
Stripping length	12			
Terminal point: thread / torque	M4 / 1.5 - 1.8			
Disconnect slide: thread / torque	M3 / 0.6 - 0.8			
Insulating material	PA			
Inflammability class according to UL 94	V0			

Ordering data	
Description	Color
Neutral conductor disconnect terminal block, with universal foot for mounting on NS 32... or NS 35...	blue

Ordering data				
Type	I_{max}	Order No.	Pcs. / Pkt.	
UKN 6 N BU		3024041	50	

Ordering data				
Type	I_{max}	Order No.	Pcs. / Pkt.	
UKN 10 N BU		3003910	50	

Accessories	
Connection terminal block, steel, is pushed onto the NLS neutral busbar, can be labeled using ZB, with insulating cap, solid up to 16 mm ² , 10 mm wide	blue
Up to 35 mm ² solid, 14.3 mm wide	blue
Cover, width 1.8 mm	blue
PEN conductor busbar, 3 x 10 mm, 1 m long, material: copper, tin-plated, nominal current: 140 A	silver
Support, blue insulating material, for holding the neutral busbar, must be set every 20 cm, 2 mm wide	blue
Support, for fixing DIN rails 21 mm above the mounting surface, with M6 screw, countersunk fixing hole 6.1 mm Ø, can also be used for protective insulation of terminal strips	gray
Screwdriver	
Lateral groove labeling	

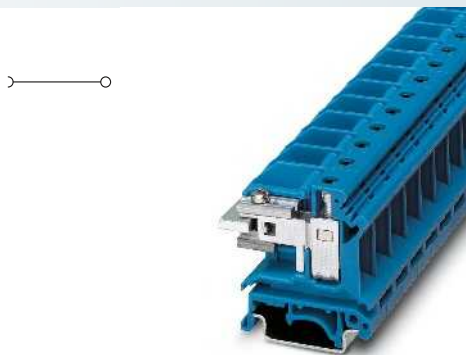
Accessories				
AKG 16 BU		0423014	50	
AKG 35 BU		0424013	50	
D-UK 4/10 BU		3003101	50	
NLS-CU 3/10 SN 1000MM	140 A	0402174	10	
UAB		3032428	50	
AB/NS		1201141	10	
SF-SL 0,6X3,5-100 S-VDE		1212587	10	
ZB 8 (see Catalog 5)				

Accessories				
AKG 16 BU		0423014	50	
AKG 35 BU		0424013	50	
D-UK 4/10 BU		3003101	50	
NLS-CU 3/10 SN 1000MM	140 A	0402174	10	
UAB		3032428	50	
AB/NS		1201141	10	
SF-SL 0,6X3,5-100 S-VDE		1212587	10	
ZB 10 (see Catalog 5)				

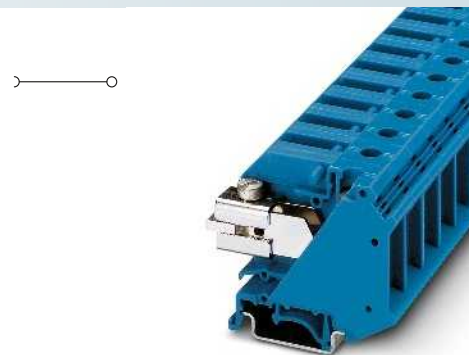
UIKN ... neutral conductor disconnect terminal blocks

- With screw disconnect slide
- Same shape as feed-through, ground conductor and installation terminal blocks

Notes:
Assembly instructions:
 For secure fastening of the neutral busbar, supports must be set at the beginning and end of each terminal strip as well as every 20 cm on longer terminal strips.



16 (25) mm², 90 A, neutral disconnect terminal block



35 (35) mm², 110 A, neutral disconnect terminal block



Technical data				
Width	Length	Height NS 35/7,5		
12	43.5	47		
Width	Length	Height NS 32		
12	43.5	52		
I_{max} [A]	U_{max} [V]	max. Ø [mm²]	AWG	
90	400	2.5 - 25	12 - 4	
IEC 60947-7-1				
IEC	UL/CUL	CSA	IEC/EN 60079-7	
400	-	-	-	
Nominal current / cross section	[A] / [mm²]	76 / 16 - / -		
Rated cross section	[mm²]	16 - - -		
Cross section range	AWG	12 - 4 - - -		
Connection capacity				
	solid	stranded	Ferrule Without / with plastic sleeve	
1 conductor	[mm²]	2.5 - 25	4 - 16	1.5 - 16 1.5 - 16
Two conductors (of the same type)	[mm²]	1.5 - 6	1.5 - 4	1.5 - 6 -
Two stranded conductors with a TWIN ferrule	[mm²]			0.75 - 10
General data				
Stripping length	[mm]	11		
Terminal point: thread / torque	- / [Nm]	M4 / 1.5 - 1.8		
Disconnect slide: thread / torque	- / [Nm]	M3 / 0.6 - 0.8		
Insulating material		PA		
Inflammability class according to UL 94		V2		

Ordering data			
Description	Color	Type	I_{max} Order No. Pcs. / Pkt.
Neutral conductor disconnect terminal block, with universal foot for mounting on NS 32... or NS 35...	blue	UIKN 16 BU	3006166 50

Accessories			
Connection terminal block, steel, is pushed onto the NLS neutral busbar, can be labeled using ZB, with insulating cap, solid up to 16 mm², 10 mm wide	blue	AKG 16 BU	0423014 50
Up to 35 mm² solid, 14.3 mm wide	blue	AKG 35 BU	0424013 50
Cover, width 1.8 mm	blue	D-UK 4/10 BU	3003101 50
PEN conductor busbar, 3 x 10 mm, 1 m long, material: copper, tin-plated, nominal current: 140 A	silver	NLS-CU 3/10 SN 1000MM	140 A 0402174 10
Support, blue insulating material, for holding the neutral busbar, must be set every 20 cm, 2 mm wide	blue	UAB	3032428 50
Support, for fixing DIN rails 21 mm above the mounting surface, with M6 screw, countersunk fixing hole 6.1 mm Ø, can also be used for protective insulation of terminal strips	gray	AB/NS	1201141 10
Screwdriver		SZS 1,0X4,0 VDE	1205066 10
Lateral groove labeling		ZB 10 (see Catalog 5)	



Technical data				
Width	Length	Height NS 35/7,5		
15	55	51		
Width	Length	Height NS 32		
15	55	56		
I_{max} [A]	U_{max} [V]	max. Ø [mm²]	AWG	
110	400	0.75 - 35	18 - 2	
IEC 60947-7-1				
IEC	UL/CUL	CSA	IEC/EN 60079-7	
400	-	-	-	
Nominal current / cross section	[A] / [mm²]	110 / 35 - / -		
Rated cross section	[mm²]	35 - - -		
Cross section range	AWG	18 - 2 - - -		
Connection capacity				
	solid	stranded	Ferrule Without / with plastic sleeve	
0.75 - 35	0.75 - 35	0.75 - 35	0.75 - 35	
0.75 - 10	0.75 - 10	0.75 - 10	-	
			0.75 - 6	
General data				
Stripping length	[mm]	16		
Terminal point: thread / torque	- / [Nm]	M6 / 3.2 - 3.7		
Disconnect slide: thread / torque	- / [Nm]	M5 / 2.5 - 3		
Insulating material		PA		
Inflammability class according to UL 94		V2		

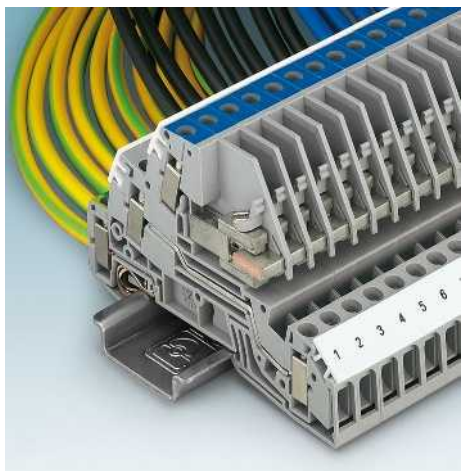
Ordering data			
Description	Color	Type	I_{max} Order No. Pcs. / Pkt.
Neutral conductor disconnect terminal block, with universal foot for mounting on NS 32... or NS 35...	blue	UIKN 35 BU	3034015 50

Accessories			
Connection terminal block, steel, is pushed onto the NLS neutral busbar, can be labeled using ZB, with insulating cap, solid up to 16 mm², 10 mm wide	blue	AKG 16 BU	0423014 50
Up to 35 mm² solid, 14.3 mm wide	blue	AKG 35 BU	0424013 50
Cover, width 1.8 mm	blue	D-UK 4/10 BU	3003101 50
PEN conductor busbar, 3 x 10 mm, 1 m long, material: copper, tin-plated, nominal current: 140 A	silver	NLS-CU 3/10 SN 1000MM	140 A 0402174 10
Support, blue insulating material, for holding the neutral busbar, must be set every 20 cm, 2 mm wide	blue	UAB	3032428 50
Support, for fixing DIN rails 21 mm above the mounting surface, with M6 screw, countersunk fixing hole 6.1 mm Ø, can also be used for protective insulation of terminal strips	gray	AB/NS	1201141 10
Screwdriver		SZS 1,0X4,0 VDE	1205066 10
Lateral groove labeling		ZB 10 (see Catalog 5)	

Modular terminal blocks

PIK installation terminal blocks

PIK 4... three-level installation terminal blocks

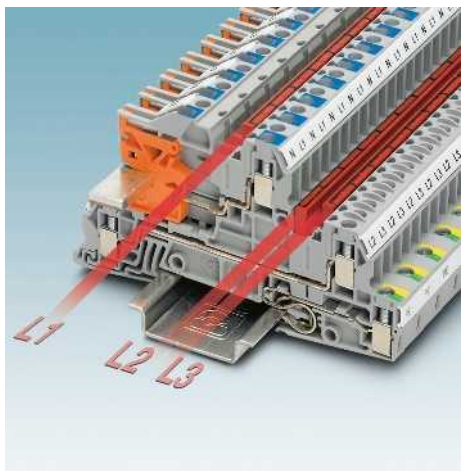


PIK 4-PE/L/NT

- A housing in the terminal block contains three terminal block types belonging to a single-phase circuit
- Design width of just 6.2 mm
- The lower level houses the ground conductor connection which automatically makes contact with the DIN rail when snapped on
- The phase connection is produced by the outer conductor feed-through terminal block on the middle level
- The upper level contains the connection for the neutral conductor which is linked to the neutral conductor busbar via a sturdy disconnect slide

PIK 4...

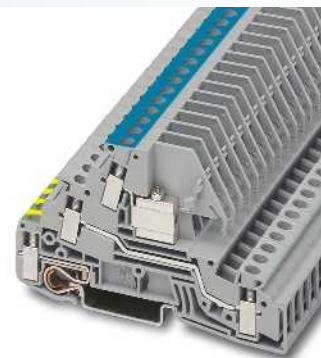
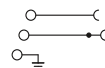
- The other types in the PIK range support all other circuit versions encountered in real life
- For example, combining the PIK 4-PE/L/NT and PIK 4-L/L allows a three-phase circuit with a width of 12.4 mm to be wired. This represents a space saving of 18.6 mm over standard wiring with single-level installation terminal blocks.



For UTI ... installation terminal blocks, see page 82.

Notes:

For L/N/PE AKG ... connection terminal blocks and further accessories, see page 94.



4 (4) mm², 32 A, three-level terminal block, 1 x L phase conductor, 1 x N conductor can be disconnected, 1 x PE



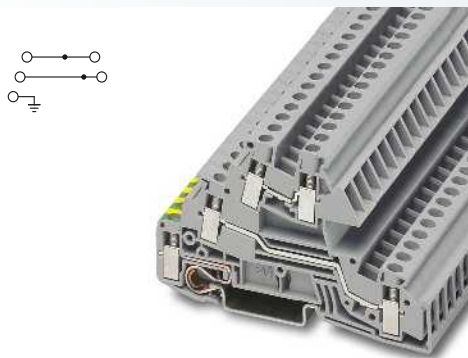
Dimensions		[mm]	
Max. electrical data			
Rated data			
Rated voltage	[V]	400	300
Phase conductor / phase conductor	[V]	400	-
Phase conductor / PE	[V]	250	-
Phase conductor / N	[V]	250	-
Nominal current / cross section	[A] / [mm ²]	32 / 4	20 / -
Rated cross section	[mm ²]	4	-
Cross section range	AWG	24 - 12	28-12
Connection capacity			
1 conductor	[mm ²]	0.2 - 4	0.2 - 4
Two conductors (of the same type)	[mm ²]	0.2 - 1.5	0.2 - 1
Two stranded conductors with a TWIN ferrule	[mm ²]		
General data			
Stripping length	[mm]	9	
Terminal point: thread / torque	- / [Nm]	M3 / 0.5 - 0.6	
Disconnect slide: thread / torque	- / [Nm]	M2,5 / 0.5 - 0.6	
Insulating material		PA	
Inflammability class according to UL 94		V2	

Technical data				
Width	Length	Height NS 35/7,5		
6.2	88	51.5		
I _{max} [A]	U _{max} [V]	max. Ø [mm ²]	AWG	
32	400	0.2 - 4	24 - 12	
IEC 60947-7-1 / IEC 60947-7-2				
IEC	UL/CUL	CSA	IEC/EN 60079-7	
Connection capacity				
		solid	stranded	Ferrule
Without / with plastic sleeve				
0.2 - 4	0.2 - 4	0.25 - 4	0.25 - 2.5	
0.2 - 1.5	0.2 - 1	0.25 - 1	-	
			0.5	
General data				
Stripping length [mm]: 9				
Terminal point: thread / torque: M3 / 0.5 - 0.6				
Disconnect slide: thread / torque: M2,5 / 0.5 - 0.6				
Insulating material: PA				
Inflammability class according to UL 94: V2				

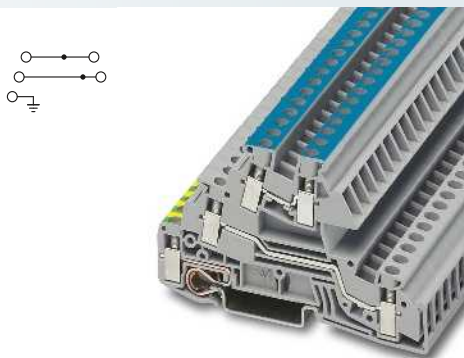
Description	No. of pos.	Color
Three-level installation terminal block, with green-yellow PE connection, phase conductor connection L and blue neutral disconnection NT		gray
Three-level installation terminal block, with green-yellow PE connection and 2 phase conductor connections L		gray
Three-level installation terminal block, with green-yellow PE connection, phase conductor connection L and blue neutral connection NT		gray
Three-level installation terminal block, with 2 phase conductor connections L		gray
With 1 phase conductor connection L		gray
Connection terminal block, steel, is pushed onto the NLS neutral busbar, can be labeled using ZB, with insulating cap, solid up to 16 mm ² , 10 mm wide		blue
Up to 35 mm ² solid, 14.3 mm wide		blue
Cover, width 1.5 mm		gray
Fixed bridge, insulated	10	silver
Isolator bridge bar, divisible, with 10 screws, for switchable branches with IS-K...	10	silver
Bridge bar isolator, as distance piece for isolator bridge bar		gray
Partition plate, 1.5 mm wide		gray
PEN conductor busbar, 3 x 10 mm, 1 m long, material: copper, tin-plated, nominal current: 140 A		silver
Lateral groove labeling		

Ordering data			
Type	I _{max}	Order No.	Pcs. / Pkt.
PIK 4-PE/L/NT		2714006	50

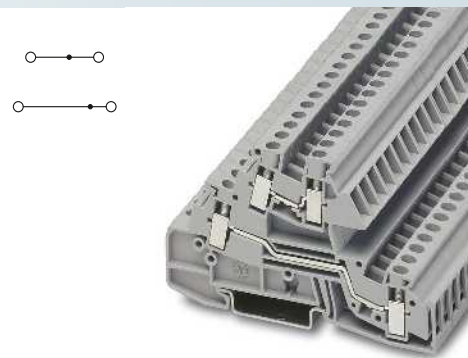
Accessories			
Type	I _{max}	Order No.	Pcs. / Pkt.
AKG 16 BU		0423014	50
AKG 35 BU		0424013	50
D-PIK 4		2714080	50
FBI 10- 6	32 A	0203250	10
ISSBI 10- 6	28 A	0301505	10
IS-K 4		1302338	100
ATP-PIK		2714145	50
NLS-CU 3/10 SN 1000MM	140 A	0402174	10



4 (4) mm², 32 A, three-level terminal block,
2 x L phase conductor, 1 x PE



4 (4) mm², 32 A, three-level terminal block,
1 x L phase conductor, 1 x N conductor, 1 x PE



4 (4) mm², 32 A, three-level terminal block,
2 x L phase conductor



Technical data			
Width	Length	Height NS 35/7,5	
6.2	88	51.5	
I_{max} [A]	U_{max} [V]	max. Ø [mm ²]	AWG
32	400	0.2 - 4	24 - 12
IEC 60947-7-1 / IEC 60947-7-2			
IEC	UL/CUL	CSA	IEC/EN 60079-7
400	300	-	-
400	-	-	-
250	-	-	-
-	-	-	-
32 / 4	20 / -	-	-
4	-	-	-
24 - 12	28-12	-	-
solid	stranded	Ferrule Without / with plastic sleeve	
0.2 - 4	0.2 - 4	0.25 - 4	0.25 - 2.5
0.2 - 1.5	0.2 - 1	0.25 - 1	-
			0.5
9			
M3 / 0.5 - 0.6			
- / -			
PA			
V2			

Technical data			
Width	Length	Height NS 35/7,5	
6.2	88	51.5	
I_{max} [A]	U_{max} [V]	max. Ø [mm ²]	AWG
32	400	0.2 - 4	24 - 12
IEC 60947-7-1 / IEC 60947-7-2			
IEC	UL/CUL	CSA	IEC/EN 60079-7
400	300	-	-
400	-	-	-
250	-	-	-
250	-	-	-
32 / 4	20 / -	-	-
4	-	-	-
24 - 12	28-12	-	-
solid	stranded	Ferrule Without / with plastic sleeve	
0.2 - 4	0.2 - 4	0.25 - 4	0.25 - 2.5
0.2 - 1.5	0.2 - 1	0.25 - 1	-
			0.5
9			
M3 / 0.5 - 0.6			
- / -			
PA			
V2			

Technical data			
Width	Length	Height NS 35/7,5	
6.2	88	51.5	
I_{max} [A]	U_{max} [V]	max. Ø [mm ²]	AWG
32	400	0.2 - 4	24 - 12
IEC 60947-7-1			
IEC	UL/CUL	CSA	IEC/EN 60079-7
400	300	-	-
400	-	-	-
-	-	-	-
-	-	-	-
32 / 4	20 / -	-	-
4	-	-	-
24 - 12	28-12	-	-
solid	stranded	Ferrule Without / with plastic sleeve	
0.2 - 4	0.2 - 4	0.25 - 4	0.25 - 2.5
0.2 - 1.5	0.2 - 1	0.25 - 1	-
			0.5
9			
M3 / 0.5 - 0.6			
- / -			
PA			
V2			

Ordering data			
Type	I_{max}	Order No.	Pcs. / Pkt.
PIK 4-PE/L/L		2714022	50

Ordering data			
Type	I_{max}	Order No.	Pcs. / Pkt.
PIK 4-PE/L/N		2714019	50

Ordering data			
Type	I_{max}	Order No.	Pcs. / Pkt.
PIK 4-L/L		2714035	50
PIK 4-L		2714048	50

Accessories			
D-PIK 4		2714080	50
FBI 10-6	32 A	0203250	10
ISSBI 10-6	28 A	0301505	10
IS-K 4		1302338	100
ATP-PIK		2714145	50

Accessories			
D-PIK 4		2714080	50
FBI 10-6	32 A	0203250	10
ISSBI 10-6	28 A	0301505	10
IS-K 4		1302338	100
ATP-PIK		2714145	50

Accessories			
D-PIK 4		2714080	50
FBI 10-6	32 A	0203250	10
ISSBI 10-6	28 A	0301505	10
IS-K 4		1302338	100
ATP-PIK		2714145	50

ZB 6 (see Catalog 5)

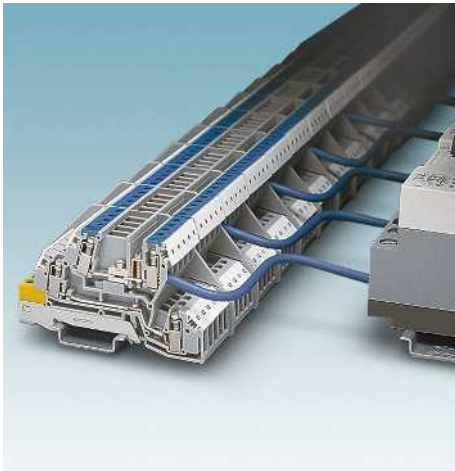
ZB 6 (see Catalog 5)

ZB 6 (see Catalog 5)

Modular terminal blocks

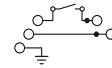
PIK installation terminal blocks

PIK 4... three-level installation terminal blocks



- PIK 4-PE/L/NTB is intended for installation in medical rooms
- The terminal block versions with single circuit disconnection precisely meet the safety requirements of DIN VDE 100-718. Such applications often require each circuit to be separately fused using a residual current device. This results in the PIK 4 groups of terminal blocks being broken down into small groups. Behind the N-disconnect point, this model therefore offers a single screw connection as well as bridging facility for splitting the N-supply cable into several N-outputs.
- The PIK 4-L/LB of the same shape enables harmonious attachments to create a 5-pos. three-phase connection

Notes:
 If the terminal block is inserted downstream of 40 A or 63 A residual current devices, a ring-type feed must be provided.
 For L/N/PE AKG ... connection terminal blocks and further accessories, see page 94.



4 (4) mm², 32 A, three-level terminal block, 1 x L phase conductor, 1 x N conductor can be disconnected, 1 x PE



Dimensions		[mm]	
Max. electrical data			
Rated data			
Rated voltage	[V]	400	300
Phase conductor / phase conductor	[V]	400	-
Phase conductor / PE	[V]	250	-
Phase conductor / N	[V]	250	-
Nominal current / cross section	[A] / [mm ²]	32 / 4	20 / -
Rated cross section	[mm ²]	4	-
Cross section range	AWG	24 - 12	28-12
Connection capacity			
1 conductor	[mm ²]	0.2 - 4	0.2 - 4
Two conductors (of the same type)	[mm ²]	0.2 - 1.5	0.2 - 1
Two stranded conductors with a TWIN ferrule	[mm ²]		
General data			
Stripping length	[mm]	9	
Terminal point: thread / torque	- / [Nm]	M3 / 0.5 - 0.6	
Disconnect slide: thread / torque	- / [Nm]	M2,6 / 0.5 - 0.6	
Insulating material		PA	
Inflammability class according to UL 94		V2	

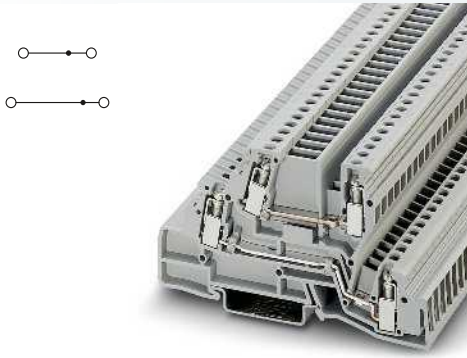
Technical data				
Width	Length	Height NS 35/7,5		
6.2	88	51.5		
I _{max} [A]	U _{max} [V]	max. Ø [mm ²]	AWG	
32	400	0.2 - 4	24 - 12	
IEC 60947-7-1 / IEC 60947-7-2				
IEC	UL/CUL	CSA	IEC/EN 60079-7	
Connection capacity				
		Ferrule		
		Without / with plastic sleeve		
0.2 - 4	0.2 - 4	0.25 - 4	0.25 - 2.5	
0.2 - 1.5	0.2 - 1	0.25 - 1	-	
		0.5		
General data				
Stripping length [mm]: 9				
Terminal point: thread / torque: M3 / 0.5 - 0.6				
Disconnect slide: thread / torque: M2,6 / 0.5 - 0.6				
Insulating material: PA				
Inflammability class according to UL 94: V2				

Description	No. of pos.	Color
Three-level installation terminal block, with green-yellow PE connection, phase conductor connection L and blue neutral disconnection NTB.		gray
Three-level installation terminal block, with 2 phase conductor connections L and bridging option on each level.		gray

Cover, width 1.5 mm		gray
Fixed bridge, insulated		
Isolator bridge bar, divisible, with 10 screws, for switchable branches with IS-K...	10	silver
Bridge bar isolator, as distance piece for isolator bridge bar	10	silver
Partition plate, 1.5 mm wide		gray
Screwdriver		
Lateral groove labeling		

Ordering data			
Type	I _{max}	Order No.	Pcs. / Pkt.
PIK 4-PE/L/NTB		2714158	50

Accessories			
Type	I _{max}	Order No.	Pcs. / Pkt.
D-PIK 4-PE/L/NTB		2714161	50
FBI 10- 6	28 A	0203250	10
ISSBI 10- 6	26 A	0301505	10
IS-K 4		1302338	100
ATP-PIK		2714145	50
SF-SL 0,6X3,5-100 S-VDE		1212587	10
ZB 6 (see Catalog 5)			



4 (4) mm², 32 A, three-level terminal block,
2 x L phase conductor



Technical data

Width	Length	Height NS 35/7,5	
6.2	88	51.5	
I_{max} [A]	U_{max} [V]	max. Ø [mm ²]	AWG
32	400	0.2 - 4	24 - 12
IEC 60947-7-1			
IEC	UL/CUL	CSA	IEC/ EN 60079-7
400	-	-	-
400	-	-	-
-	-	-	-
-	-	-	-
32 / 4	- / -	-	-
4	-	-	-
24 - 12	-	-	-
solid	stranded	Ferrule	
		Without / with plastic sleeve	
0.2 - 4	0.2 - 4	0.25 - 4	0.25 - 2.5
0.2 - 1.5	0.2 - 1	0.25 - 1	-
			1

9
M3 / 0.5 - 0.6

- / -

PA
V2

Ordering data

Type	I_{max}	Order No.	Pcs. / Pkt.
PIK 4-L/LB		3000117	50

Accessories

D-PIK 4-PE/L/NTB		2714161	50
FBI 10-6	28 A	0203250	10
ISSBI 10-6	26 A	0301505	10
IS-K 4		1302338	100
ATP-PIK		2714145	50
SF-SL 0,6X3,5-100 S-VDE		1212587	10
ZB 6 (see Catalog 5)			

Modular terminal blocks

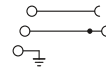
PIK installation terminal blocks

PIK 6... three-level installation terminal blocks

- PIK 6 three-level installation terminal blocks are used for installing larger three-phase loads such as ventilation motors or industrial kitchen ovens
- Same shape as PIK 4 terminal blocks
- The PEN conductor busbar is positioned at the same height for all Phoenix Contact installation terminal blocks
- Since the PIK 6 terminal blocks have a closed housing, cover elements are not used on the end of the terminal strip

CLIP PROJECT Planning enables the quick and convenient planning and configuration of fault-free terminal strips.

Notes:
For L/N/PE AKG ... connection terminal blocks and further accessories, see page 94.



6 (10) mm², 41 A, three-level terminal block, 1 x L phase conductor, 1 x N conductor can be disconnected, 1 x PE



Dimensions		[mm]	
Max. electrical data			
Rated data			
Rated voltage	[V]	400	300
Phase conductor / phase conductor	[V]	400	-
Phase conductor / PE	[V]	250	-
Phase conductor / N	[V]	250	-
Nominal current / cross section	[A] / [mm ²]	41 / 6	30 / -
Rated cross section	[mm ²]	6	-
Cross section range	AWG	24 - 8	26-8
Connection capacity			
1 conductor	[mm ²]	0.2 - 10	0.2 - 6
Two conductors (of the same type)	[mm ²]	0.2 - 2.5	0.2 - 2.5
Two stranded conductors with a TWIN ferrule	[mm ²]		
General data			
Stripping length	[mm]	9	
Terminal point: thread / torque	- / [Nm]	M3 / 0.5 - 0.6	
Disconnect slide: thread / torque	- / [Nm]	M2,5 / 0.5 - 0.6	
Tightening torque	[Nm]	0.5 - 0.6	
Insulating material		PA	
Inflammability class according to UL 94		V0	

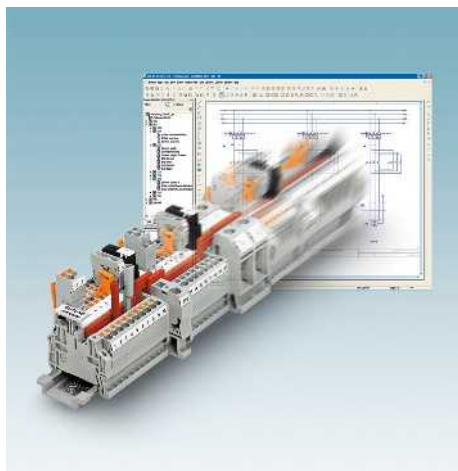
Technical data				
Width	Length	Height NS 35/7,5		
8.2	88	51.5		
I _{max} [A]	U _{max} [V]	max. Ø [mm ²]	AWG	
41	400	0.2 - 10	24 - 8	
IEC 60947-7-1 / IEC 60947-7-2				
IEC	UL/CUL	CSA	IEC/EN 60079-7	
Connection capacity				
		Ferrule		
		Without / with plastic sleeve		
0.2 - 10	0.2 - 6	0.25 - 6	0.25 - 4	
0.2 - 2.5	0.2 - 2.5	0.25 - 1.5	-	
			0.5 - 2.5	

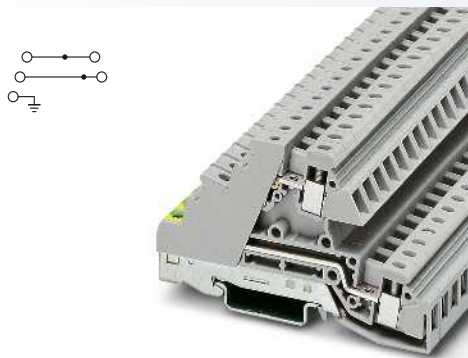
Description	No. of pos.	Color
Three-level installation terminal block, with PE connection, phase conductor connection L and blue neutral disconnection NT		gray
Three-level installation terminal block, with green-yellow PE connection and 2 phase conductor connections L		gray
Three-level installation terminal block, with green-yellow PE connection, phase conductor connection L and blue neutral connection NT		gray
Three-level installation terminal block, with 2 phase conductor connections L		gray

Ordering data			
Type	I _{max}	Order No.	Pcs. / Pkt.
PIK 6-PE/L/NT		2714268	50

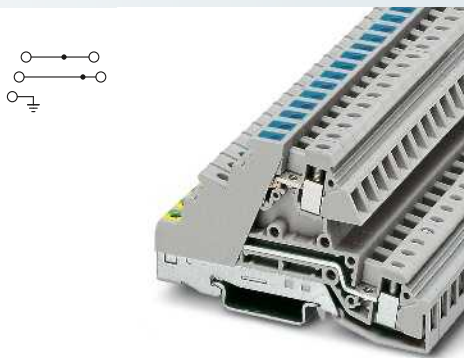
Connection terminal block, steel, is pushed onto the NLS neutral busbar, can be labeled using ZB, with insulating cap, solid up to 16 mm², 10 mm wide		blue
Up to 35 mm² solid, 14.3 mm wide		blue
Fixed bridge, insulated	10	silver
Partition plate, 1.5 mm wide		gray
PEN conductor busbar, 3 x 10 mm, 1 m long, material: copper, tin-plated, nominal current: 140 A		silver
Screwdriver		
Lateral groove labeling		

Accessories			
AKG 16 BU		Order No.	Pcs. / Pkt.
AKG 35 BU		0423014	50
AKG 35 BU		0424013	50
FBRI 10-8 N	41 A	2772080	10
ATP-PIK		2714145	50
NLS-CU 3/10 SN 1000MM	140 A	0402174	10
SF-SL 0,6X3,5-100 S-VDE		1212587	10
ZB 8 (see Catalog 5)			

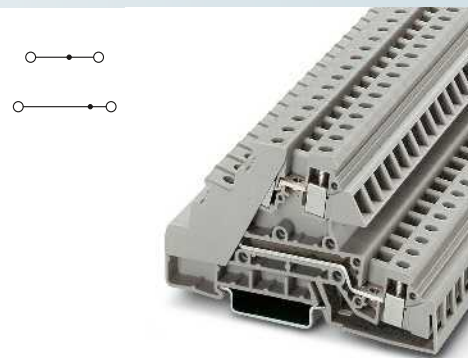




6 (10) mm², 41 A, three-level terminal block,
2 x L phase conductor, 1 x PE



6 (10) mm², 41 A, three-level terminal block,
1 x L phase conductor, 1 x N conductor, 1 x PE



6 (10) mm², 41 A, three-level terminal block,
2 x L phase conductor



Technical data			
Width	Length	Height NS 35/7,5	
8.2	88	51.5	
I _{max} [A]	U _{max} [V]	max. Ø [mm ²]	AWG
41	400	0.2 - 10	24 - 8
IEC 60947-7-1 / IEC 60947-7-2			
IEC	UL/CUL	CSA	IEC/EN 60079-7
400	300	-	-
400	-	-	-
250	-	-	-
-	-	-	-
41 / 6	30 / -	-	-
6	-	-	-
24 - 8	26-8	-	-
solid	stranded	Ferrule Without / with plastic sleeve	
0.2 - 10	0.2 - 6	0.25 - 6	0.25 - 4
0.2 - 2.5	0.2 - 2.5	0.25 - 1.5	-
			0.5 - 2.5
9	M3 / 0.5 - 0.6		
- / -			
0.5 - 0.6			
PA			
V0			

Technical data			
Width	Length	Height NS 35/7,5	
8.2	88	51.5	
I _{max} [A]	U _{max} [V]	max. Ø [mm ²]	AWG
41	400	0.2 - 10	24 - 8
IEC 60947-7-1 / IEC 60947-7-2			
IEC	UL/CUL	CSA	IEC/EN 60079-7
400	300	-	-
400	-	-	-
250	-	-	-
250	-	-	-
41 / 6	30 / -	-	-
6	-	-	-
24 - 8	26-8	-	-
solid	stranded	Ferrule Without / with plastic sleeve	
0.2 - 10	0.2 - 6	0.25 - 6	0.25 - 4
0.2 - 2.5	0.2 - 2.5	0.25 - 1.5	-
			0.5 - 2.5
9	M3 / 0.5 - 0.6		
- / -			
0.5 - 0.6			
PA			
V0			

Technical data			
Width	Length	Height NS 35/7,5	
8.2	88	51.5	
I _{max} [A]	U _{max} [V]	max. Ø [mm ²]	AWG
41	400	0.2 - 10	24 - 8
IEC 60947-7-1			
IEC	UL/CUL	CSA	IEC/EN 60079-7
400	300	-	-
400	-	-	-
-	-	-	-
-	-	-	-
41 / 6	30 / -	-	-
6	-	-	-
24 - 8	26-8	-	-
solid	stranded	Ferrule Without / with plastic sleeve	
0.2 - 10	0.2 - 6	0.25 - 6	0.25 - 4
0.2 - 2.5	0.2 - 2.5	0.25 - 1.5	-
			0.5 - 2.5
9	M3 / 0.5 - 0.6		
- / -			
0.5 - 0.6			
PA			
V0			

Ordering data			
Type	I _{max}	Order No.	Pcs. / Pkt.
PIK 6-PE/L/L		2714271	50

Ordering data			
Type	I _{max}	Order No.	Pcs. / Pkt.
PIK 6-PE/L/N		2714297	50

Ordering data			
Type	I _{max}	Order No.	Pcs. / Pkt.
PIK 6-L/L		2714284	50

Accessories			
FBRI 10-8 N	41 A	2772080	10
ATP-PIK		2714145	50
SF-SL 0,6X3,5-100 S-VDE		1212587	10
ZB 8 (see Catalog 5)			

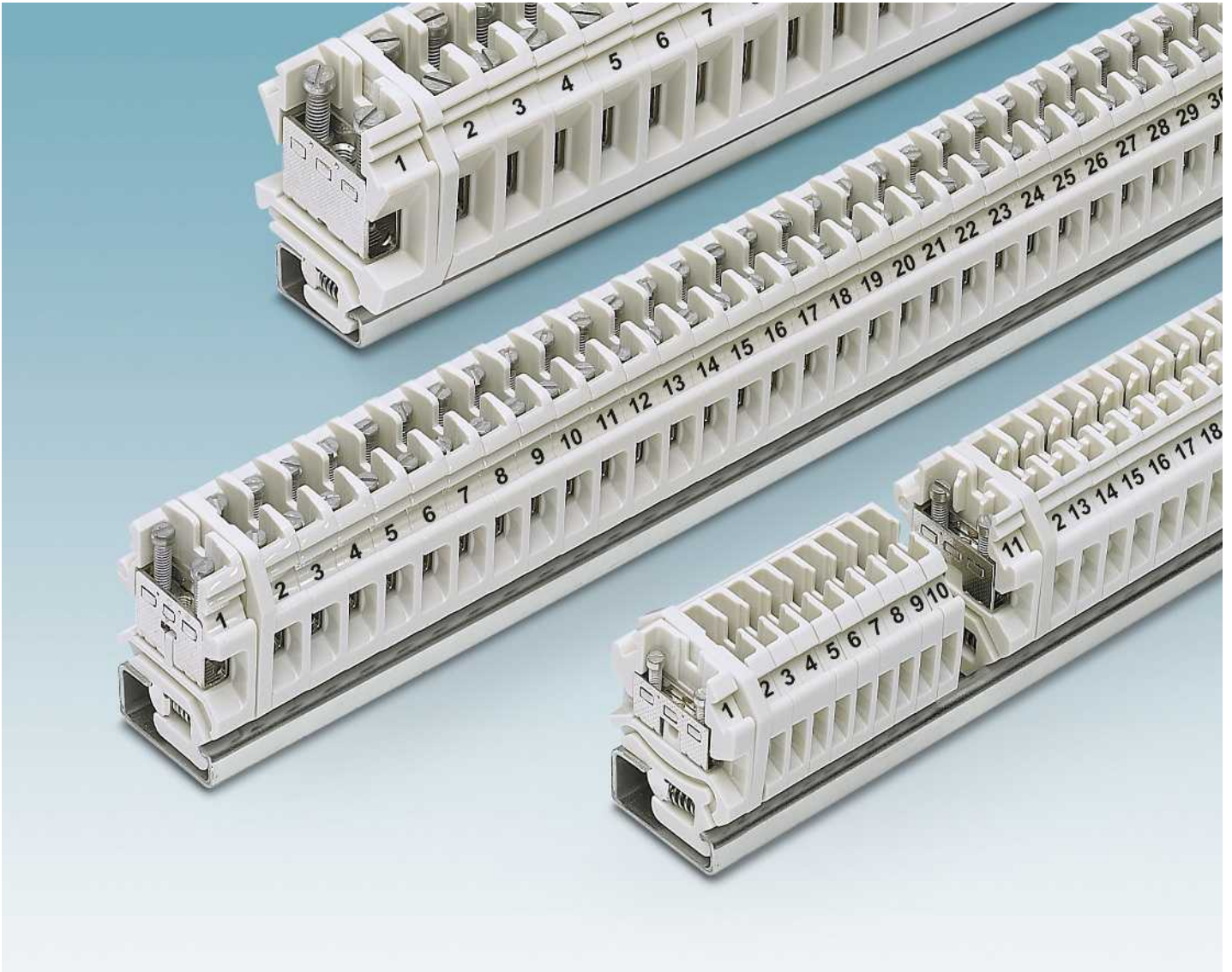
Accessories			
FBRI 10-8 N	41 A	2772080	10
ATP-PIK		2714145	50
SF-SL 0,6X3,5-100 S-VDE		1212587	10
ZB 8 (see Catalog 5)			

Accessories			
FBRI 10-8 N	41 A	2772080	10
ATP-PIK		2714145	50
SF-SL 0,6X3,5-100 S-VDE		1212587	10
ZB 8 (see Catalog 5)			

Modular terminal blocks

SSK high-temperature terminal blocks

SSK ceramic terminal blocks



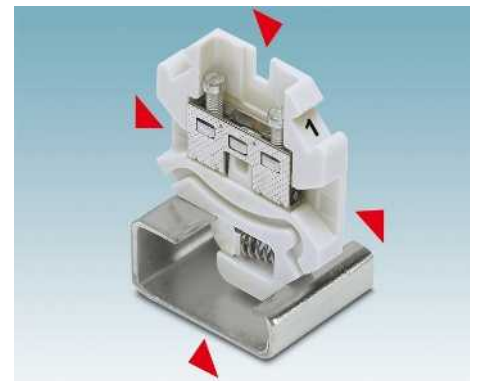
Safe in all applications

The SSK modular terminal blocks with ceramic insulation approved as standard for areas at risk of explosion are recommended for use anywhere with tough operating conditions, especially in terms of temperature and chemical aggressiveness.



For high-temperature applications

One of the key features of the ceramic terminal blocks is that they can be used continuously at high temperatures up to 220°C. They are recommended for sites with high thermal requirements and extreme changes in temperature.



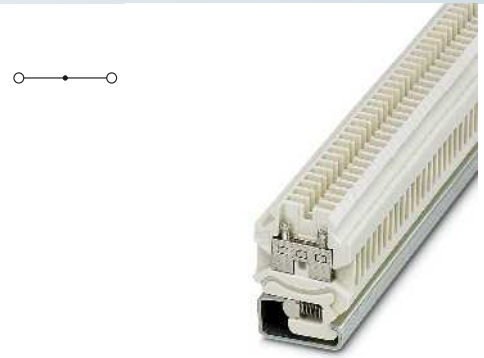
Compact design

Given the space-saving design, SSK ceramic terminal blocks are ideally suited to control systems in tight spaces.

SSK ... ceramic feed-through terminal blocks

- Compact design
- Mounting on G DIN rail NS 32
- Securely snapped into place using snap lock in terminal block foot
- Simple potential distribution thanks to chain bridging

Notes:
 1) For installation notes on the use of accessories for Ex e applications, see page 710.



2.5 (4) mm², 32 A, feed-through terminal block

Ex: KEMA 03ATEX2382U / IECEx KEM 06.0045U

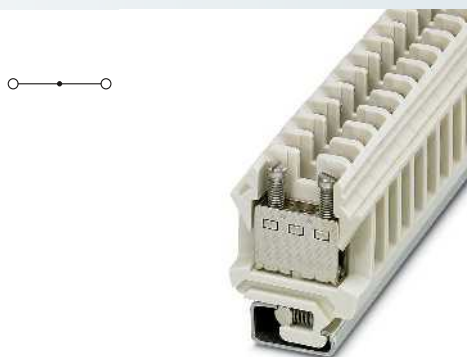
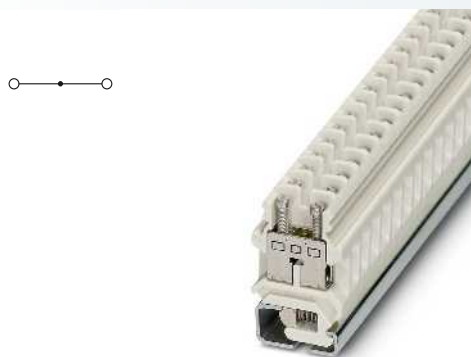
Dimensions		[mm]
Max. electrical data		
Rated data		
Rated voltage	[V]	690
Nominal current / cross section	[A] / [mm ²]	24 / 2.5
Rated cross section	[mm ²]	2.5
Cross section range	AWG	24 - 12
Connection capacity of screw connection		
1 conductor	[mm ²]	0.2 - 4
Two conductors (of the same type)	[mm ²]	0.2 - 1.5
Two stranded conductors with a TWIN ferrule	[mm ²]	0.2 - 1.5
General data		
Stripping length	[mm]	9
Screw thread		M3
Tightening torque	[Nm]	0.6 - 0.8
Insulating material		Keramik

Technical data				
Width	Length	Height NS 32		
6.2	38	48		
I _{max} [A]	U _{max} [V]	max. Ø [mm ²]	AWG	
32	690	0.2 - 4	24 - 12	
IEC 60947-7-1				
IEC	UL/CUL	CSA	IEC/EN 60079-7	
690	-	600	440	
24 / 2.5	- / -	20 / -	32 / 4 // 32 / 4	
2.5	-	-	4	
24 - 12	-	22-12	24 - 12	
Connection capacity of screw connection		Ferrule		
		Without / with plastic sleeve		
1 conductor	[mm ²]	0.2 - 4	0.25 - 2.5	0.25 - 1.5
Two conductors (of the same type)	[mm ²]	0.2 - 1.5	0.25 - 1.5	-
Two stranded conductors with a TWIN ferrule	[mm ²]	0.2 - 1.5	-	0.5 - 1.5
General data				
Stripping length	[mm]	9		
Screw thread		M3		
Tightening torque	[Nm]	0.6 - 0.8		
Insulating material		Keramik		

Description	No. of pos.	Color
Terminal block, for mounting on NS 32...		white
Cover, width 4.2 mm		white
Chain bridge, with screw	1	silver
End clamp, for DIN rail NS 32		silver
Screwdriver		
Lateral groove labeling		

Ordering data			
Type	I _{max}	Order No.	Pcs. / Pkt.
SSK 0525 KER-EX		0501059	50

Accessories ¹⁾			
D-SSK 0525 KER		0201061	50
KB- 6	34 A	0201472	100
E/1		1201044	100
SF-SL 0,6X3,5-100 S-VDE		1212587	10
ZB 6 (see Catalog 5)			



10 (16) mm², 76 A, feed-through terminal block

35 (35) mm², 125 A, feed-through terminal block

Ex: KEMA 03ATEX2382U / IECEx KEM 06.0045U

Ex: KEMA 03ATEX2382U / IECEx KEM 06.0045U

Technical data			
Width	Length	Height NS 32	
10.4	38	55	
I_{max} [A]	U_{max} [V]	max. Ø [mm ²]	AWG
76	800	0.5 - 16	20 - 6
IEC 60947-7-1			
IEC	UL/CUL	CSA	IEC/EN 60079-7
800	-	600	440
57 / 10	- / -	80 / -	57 / 10 // 74 / 16
10	-	-	10
20 - 6	-	24-6	20 - 6
solid	stranded	Ferrule Without / with plastic sleeve	
0.5 - 16	0.5 - 10	0.5 - 10	0.5 - 6
0.5 - 4	0.5 - 4	0.5 - 4	-
			0.5 - 6
11			
M4			
1.5 - 1.8			
Keramik			

Technical data			
Width	Length	Height NS 32	
15.3	53	67	
I_{max} [A]	U_{max} [V]	max. Ø [mm ²]	AWG
125	800	1 - 35	18 - 2
IEC 60947-7-1			
IEC	UL/CUL	CSA	IEC/EN 60079-7
800	-	-	690
125 / 35	- / -	-	101 / 25 // 125 / 35
35	-	-	25
18 - 2	-	-	18 - 2
solid	stranded	Ferrule Without / with plastic sleeve	
1 - 35	1 - 25	0.75 - 25	0.75 - 16
0.75 - 10	0.75 - 10	0.75 - 10	-
			0.75 - 10
16			
M6			
3.2 - 3.7			
Keramik			

Ordering data			
Type	I_{max}	Order No.	Pcs. / Pkt.
SSK 116 KER-EX		0503057	50

Ordering data			
Type	I_{max}	Order No.	Pcs. / Pkt.
SSK 135 KER-EX		0505055	10

Accessories ¹⁾			
D-SSK 116 KER		0203069	50
KB- 10	57 A	0203205	100
E/1		1201044	100
SZS 1,0X4,0 VDE		1205066	10

Accessories ¹⁾			
D-SSK 135 KER		0205067	50
KBI- 15	108 A	0205203	10
E/1		1201044	100
SZS 1,0X4,0 VDE		1205066	10

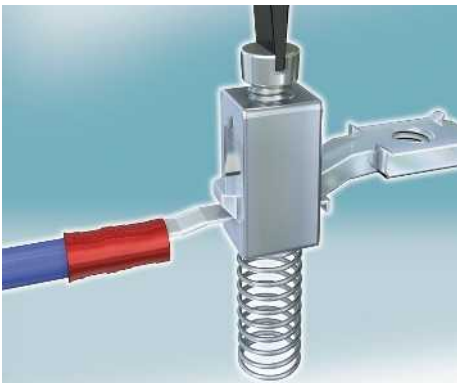
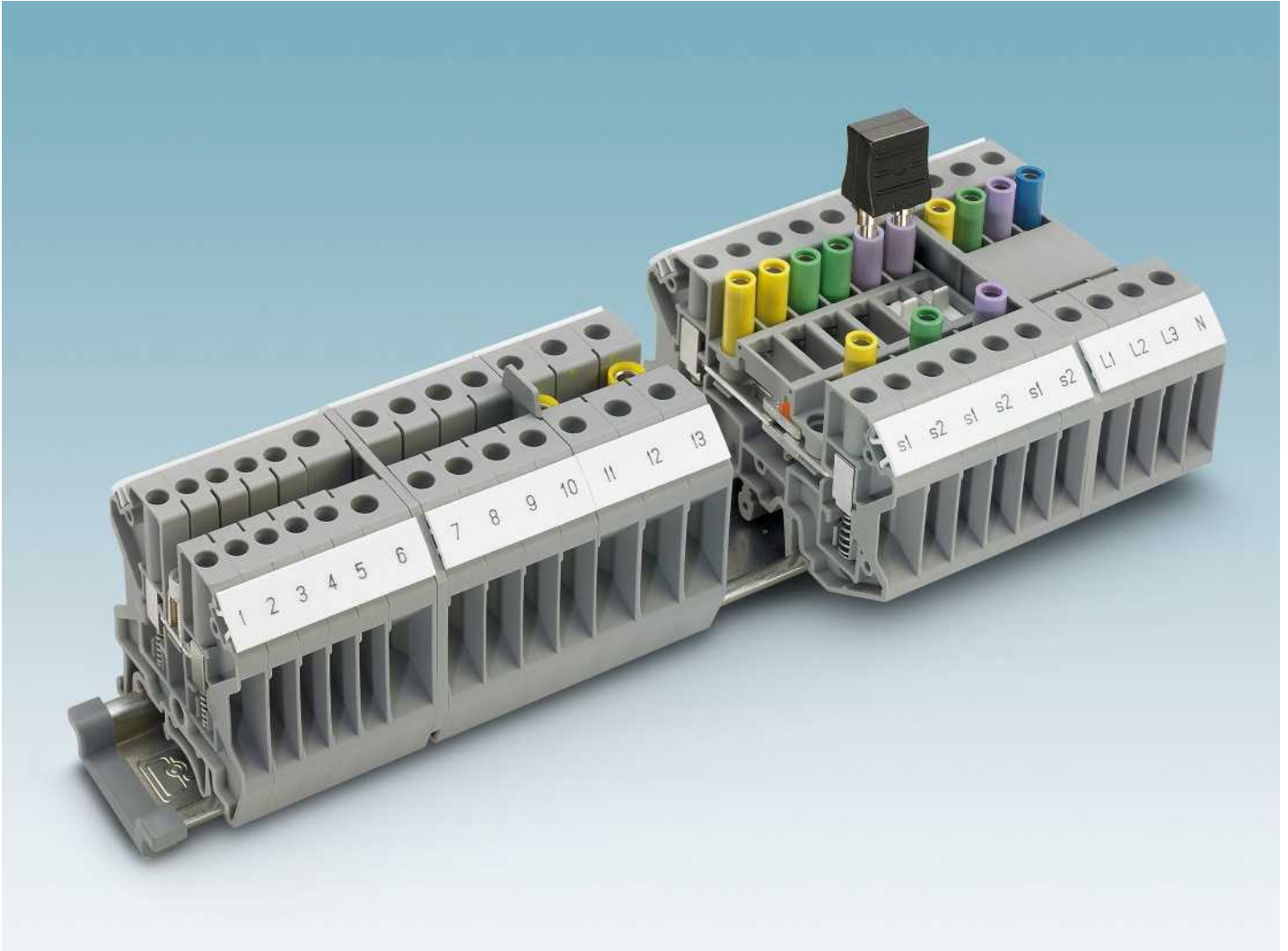
ZB 10 (see Catalog 5)

ZB 15 (see Catalog 5)

Modular terminal blocks

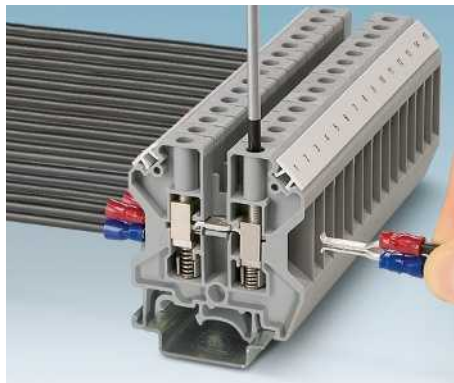
USST spring-assisted screw terminal blocks

USST ... spring-assisted screw terminal blocks



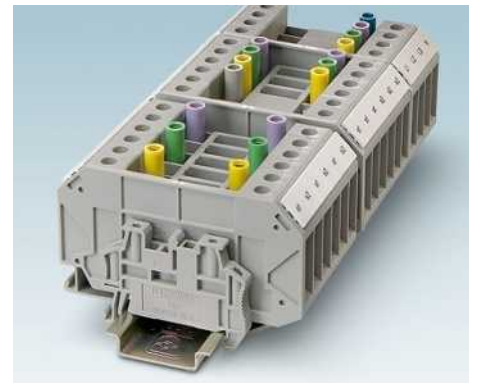
Spring-assisted screw connection

The opened terminal block body is pressed down to make contact with the conductor. Tightening the terminal screw produces the perfect electric connection.



Hooked cable lug

This cable lug is shaped like a hook, allowing it to lock in the spring in the terminal block body for a secure connection.



Test accessories

The familiar test, switching, and bridging accessories from Phoenix Contact are used in the USST modular terminal blocks.

USST 4 spring-assisted feed-through terminal block

- The USST ... modular terminal blocks were developed especially for use in the energy supply sector
- When combined with hook-type cable lugs, the spring-assisted screw terminal blocks optimally meet the technical requirements of ENATS 50-18
- Universal foot for mounting on NS 32 and or NS 35 DIN rails
- The bridge bar isolator switching jumpers ISSBI ... enable switchable cross connections with IS-K The screw functions as a current-carrying switching element
- Large labeling option of every terminal point

Space-saving conductor connection

The flat-ribbon cable lugs with C-BCI ... SO hooks enable vertical crimping (see figure below), which means that conductors in with nominal cross section can be wired without loss of pitch in a way that saves space. Further information about flat-ribbon cable lugs with hooks can be found at www.phoenixcontact.net/products.

Notes:
Corresponding flat-ribbon cable lugs with C-BCI ... hooks can be found in Catalog 5 or at www.phoenixcontact.net/products



4 (6) mm², 41 A, feed-through terminal block



Dimensions			
		[mm]	
Dimensions			
		[mm]	
Max. electrical data			
Rated data			
Rated voltage	[V]	500	300
Nominal current / cross section	[A] / [mm ²]	32 / 4	30 / -
Rated cross section	[mm ²]	4	-
Cross section range	AWG	24 - 10	24-10
Connection capacity			
1 conductor	[mm ²]	0.2 - 6	0.2 - 4
Two conductors (of the same type)	[mm ²]	0.2 - 1.5	0.2 - 1.5
Two stranded conductors with a TWIN ferrule	[mm ²]		
General data			
Stripping length	[mm]	10	
Screw thread		M3	
Tightening torque	[Nm]	0.6 - 0.8	
Insulating material		PA	
Inflammability class according to UL 94		V0	

Technical data			
Width	Length	Height NS 35/7,5	
6.2	52	57.3	
Width	Length	Height NS 32	
6.2	52	62.3	
I _{max} [A]	U _{max} [V]	max. Ø [mm ²]	AWG
41	500	0.2 - 6	24 - 10
IEC 60947-7-1	UL/CUL	CSA	IEC/EN 60079-7
IEC	UL/CUL	CSA	IEC/EN 60079-7
Rated voltage	[V]	500	300
Nominal current / cross section	[A] / [mm ²]	32 / 4	30 / -
Rated cross section	[mm ²]	4	-
Cross section range	AWG	24 - 10	24-10
Connection capacity			
1 conductor	[mm ²]	0.2 - 6	0.2 - 4
Two conductors (of the same type)	[mm ²]	0.2 - 1.5	0.2 - 1.5
Two stranded conductors with a TWIN ferrule	[mm ²]		
General data			
Stripping length	[mm]	10	
Screw thread		M3	
Tightening torque	[Nm]	0.6 - 0.8	
Insulating material		PA	
Inflammability class according to UL 94		V0	

Description	No. of pos.	Color
Terminal block , for mounting on NS 32... or NS 35...		gray

Cover , width 2.2 mm		gray
Partition plate , 2 mm wide		gray
Fixed bridge , insulated	10	silver
Isolator bridge bar , divisible, with 10 screws, for switchable branches with IS-K...	10	silver
Bridge bar isolator , as distance piece for isolator bridge bar		gray
Separating disk , for separation of neighboring bridges, can be fitted later, no loss of pitch		gray
Test socket		silver
Test socket , insulated, can be used only with FBI and ISSBI		silver
Screwdriver		

Lateral groove labeling

Ordering data			
Type	I _{max}	Order No.	Pcs. / Pkt.
USST 4		3070338	50

Accessories			
D-USST 4/10		3070370	50
TPNS-UK		0706647	50
FBI 10- 6	38 A	0203250	10
ISSBI 10- 6	30 A	0301505	10
IS-K 4		1302338	100
TS-USST 4/10		3070383	50
PSB 3/10/4		0601292	10
PSBJ 3/13/4		0201304	10
SF-SL 0,6X3,5-100 S-VDE		1212587	10

UC-TM 6, UCT-TM 6 or ZB 6 (see Catalog 5)



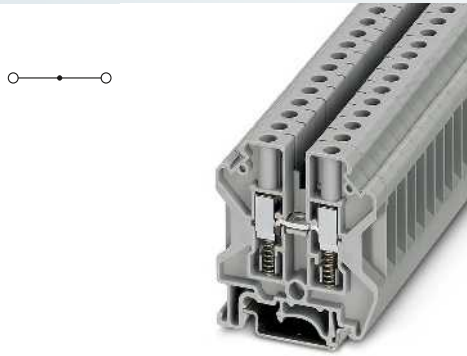
Modular terminal blocks

USST spring-assisted screw terminal blocks

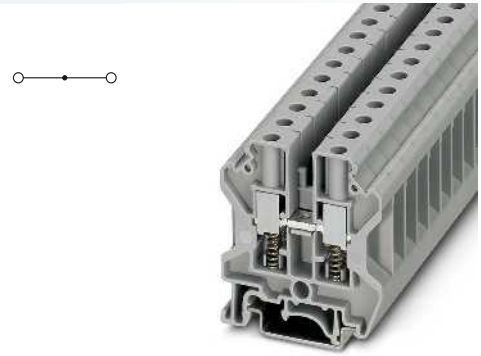
USST 6 and USST 10 spring-assisted feed-through terminal block

– USST 4 to USST 10 terminal blocks are the same shape

Notes:
For other test sockets, see page 637.



6 (10) mm², 57 A, feed-through terminal block



10 (16) mm², 76 A, feed-through terminal block



Technical data				
Width	Length	Height NS 35/7,5		
8.2	52	57.3		
Width	Length	Height NS 32		
8.2	52	62.3		
I_{max} [A]	U_{max} [V]	max. Ø [mm ²]	AWG	
57	500	0.2 - 10	24 - 8	
IEC 60947-7-1				
IEC	UL/CUL	CSA	IEC/EN 60079-7	
Rated voltage	[V]	500	300	-
Nominal current / cross section	[A] / [mm ²]	41 / 6	30 / -	-
Rated cross section	[mm ²]	6	-	-
Cross section range	AWG	24 - 8	24-10	-
Connection capacity				
	solid	stranded	Ferrule	
			Without / with plastic sleeve	
1 conductor	[mm ²]	0.2 - 10	0.2 - 6	0.25 - 6 0.25 - 6
Two conductors (of the same type)	[mm ²]	0.2 - 2.5	0.2 - 2.5	0.25 - 1.5 -
Two stranded conductors with a TWIN ferrule	[mm ²]			0.5 - 4
General data				
Stripping length	[mm]	12		
Screw thread		M4		
Tightening torque	[Nm]	1.5 - 1.8		
Insulating material		PA		
Inflammability class according to UL 94		V0		



Technical data				
Width	Length	Height NS 35/7,5		
10.2	52	57.3		
Width	Length	Height NS 32		
10.2	52	62.3		
I_{max} [A]	U_{max} [V]	max. Ø [mm ²]	AWG	
76	500	0.5 - 16	20 - 6	
IEC 60947-7-1				
IEC	UL/CUL	CSA	IEC/EN 60079-7	
Rated voltage	[V]	500	300	-
Nominal current / cross section	[A] / [mm ²]	57 / 10	65 / -	-
Rated cross section	[mm ²]	10	-	-
Cross section range	AWG	20 - 6	20-6	-
Connection capacity				
	solid	stranded	Ferrule	
			Without / with plastic sleeve	
0.5 - 16	0.5 - 10	0.5 - 10	0.5 - 6	
0.5 - 4	0.5 - 4	0.5 - 2.5	-	
			0.5 - 6	
General data				
Stripping length	[mm]	12		
Screw thread		M4		
Tightening torque	[Nm]	1.5 - 1.8		
Insulating material		PA		
Inflammability class according to UL 94		V0		

Ordering data			
Description	No. of pos.	Color	
Terminal block, for mounting on NS 32... or NS 35...		gray	
Type	I_{max}	Order No.	Pcs. / Pkt.
USST 6		3070341	50

Ordering data			
Type	I_{max}	Order No.	Pcs. / Pkt.
USST 10		3070354	50

Accessories			
Cover, width 2.2 mm	gray	D-USST 4/10	3070370 50
Partition plate, 2 mm wide	gray	TPNS-UK	0706647 50
Fixed bridge, insulated	10 silver	FBI 10- 8	52 A 0203263 10
Isolator bridge bar, divisible, with 10 screws, for switchable branches with IS-K...	10 silver	ISSBI 10- 8	38 A 0301534 10
Bridge bar isolator, as distance piece for isolator bridge bar	gray	IS-K 10	1303337 100
Separating disk, for separation of neighboring bridges, can be fitted later, no loss of pitch	gray	TS-USST 4/10	3070383 50
Test socket, for test connection with PS test plug	silver	PSB 4/7/6	0303299 10
Test socket, insulated, for UK 6 N, UK 10 N and URTK/SP and USST 10 terminal blocks, M4 thread	transparent		
	blue		
	yellow		
	green		
	violet		
	red		
Short-circuit plug, for short circuiting neighboring terminal blocks, fully insulated, 2-pos., I_{max} 20 A	black	KSS 8	0311540 10
Short-circuit plug, for short circuiting neighboring terminal blocks, can only be used with PSB or PSBJ, with an 8.2 mm pitch	black	KSS 4- 8	0309549 10
Screwdriver		SZS 1,0X4,0 VDE	1205066 10

Accessories			
Cover, width 2.2 mm	gray	D-USST 4/10	3070370 50
Partition plate, 2 mm wide	gray	TPNS-UK	0706647 50
Fixed bridge, insulated	10 silver	FBI 10-10	70 A 0203276 10
Isolator bridge bar, divisible, with 10 screws, for switchable branches with IS-K...	10 silver	ISSBI 10-10	41 A 0301521 10
Bridge bar isolator, as distance piece for isolator bridge bar	gray	IS-K 10	1303337 100
Separating disk, for separation of neighboring bridges, can be fitted later, no loss of pitch	gray	TS-USST 4/10	3070383 50
Test socket, for test connection with PS test plug	silver	PSB 4/7/6	0303299 10
Test socket, insulated, for UK 6 N, UK 10 N and URTK/SP and USST 10 terminal blocks, M4 thread	transparent		
	blue		
	yellow		
	green		
	violet		
	red		
Short-circuit plug, for short circuiting neighboring terminal blocks, fully insulated, 2-pos., I_{max} 20 A	black	KSS 10	0310541 10
Short-circuit plug, for short circuiting neighboring terminal blocks, can only be used with PSB or PSBJ, with an 8.2 mm pitch	black	KSS 4-10	0308540 10
Screwdriver		SZS 1,0X4,0 VDE	1205066 10

Accessories
Lateral groove labeling

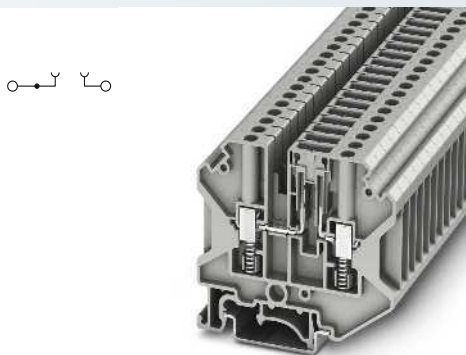
UC-TM 8, UCT-TM 8 or ZB 8 (see Catalog 5)

UC-TM 10, UCT-TM 10 or ZB 10 (see Catalog 5)
--

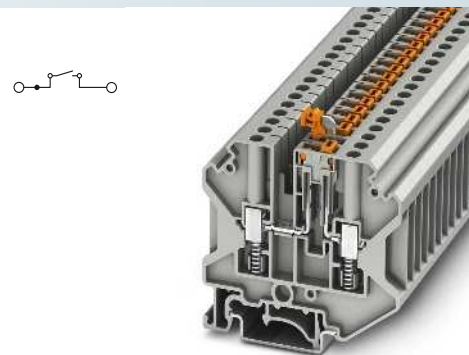
Spring-assisted disconnect and knife disconnect terminal blocks

- Standardized disconnect zone
- Various function plugs are available for use in the disconnect terminal blocks
- For corresponding function plugs, see page 480

Notes:
Corresponding flat-ribbon cable lugs with C-BCI ... hooks can be found in Catalog 5 or at www.phoenixcontact.net/products
For corresponding function plugs, see page 480.
¹⁾ U _{max.} 300 V



4 (6) mm², 20 A, disconnect terminal block, 2 connections



4 (6) mm², 20 A, knife disconnect terminal block, 2 connections



Technical data				
Dimensions	Width	Length	Height NS 35/7,5	
	6.2	63.4	57.3	
Dimensions	Width	Length	Height NS 32	
	6.2	63.4	62.3	
Max. electrical data	I _{max.} [A]	U _{max.} [V]	max. Ø [mm ²]	AWG
	20	500	0.2 - 6	24 - 10
Rated data	IEC 60947-7-1	UL/CUL	CSA	IEC/EN 60079-7
Rated voltage	500	-	-	-
Nominal current / cross section	20 / 4	- / -	-	-
Rated cross section	4	-	-	-
Cross section range	24 - 10	-	-	-
Connection capacity	solid	stranded	Ferrule Without / with plastic sleeve	
1 conductor	0.2 - 6	0.2 - 4	0.25 - 4	0.25 - 2.5
Two conductors (of the same type)	0.2 - 1.5	0.2 - 1.5	0.25 - 1.5	-
Two stranded conductors with a TWIN ferrule				0.5 - 2.5
General data	Stripping length	10		
	Screw thread	M3		
	Tightening torque	0.6 - 0.8		
	Insulating material	PA		
	Inflammability class according to UL 94	V0		



Technical data				
Dimensions	Width	Length	Height NS 35/7,5	
	6.2	63.4	57.3	
Dimensions	Width	Length	Height NS 32	
	6.2	63.4	62.3	
Max. electrical data	I _{max.} [A]	U _{max.} [V]	max. Ø [mm ²]	AWG
	20	500	0.2 - 6	24 - 10
Rated data	IEC 60947-7-1	UL/CUL	CSA	IEC/EN 60079-7
Rated voltage	500	-	-	-
Nominal current / cross section	20 / 4	- / -	-	-
Rated cross section	4	-	-	-
Cross section range	24 - 10	-	-	-
Connection capacity	solid	stranded	Ferrule Without / with plastic sleeve	
1 conductor	0.2 - 6	0.2 - 4	0.25 - 4	0.25 - 2.5
Two conductors (of the same type)	0.2 - 1.5	0.2 - 1.5	0.25 - 1.5	-
Two stranded conductors with a TWIN ferrule				0.5 - 2.5
General data	Stripping length	10		
	Screw thread	M3		
	Tightening torque	0.6 - 0.8		
	Insulating material	PA		
	Inflammability class according to UL 94	V0		

Ordering data						
Description	No. of pos.	Color	Type	I _{max.}	Order No.	Pcs. / Pkt.
Terminal block , for mounting on NS 35... (With test socket screws!)		gray	USST 4-TG		3070301	50
		gray	USST 4-TG P/P		3070303	50

Ordering data						
Description	No. of pos.	Color	Type	I _{max.}	Order No.	Pcs. / Pkt.
Terminal block , for mounting on NS 35... (With test socket screws!)		gray	USST 4-MT		3070300	50
		gray	USST 4-MT P/P		3070302	50

Accessories						
Cover , width 2.2 mm			D-USST 4-MT	3070304	50	
Partition plate , 2 mm wide		gray	TPNS-UK	0706647	50	
Fixed bridge , insulated	10	silver	FBI 10- 6	38 A	0203250	10
Isolator bridge bar , divisible, with 10 screws, for switchable branches with IS-K...	10	silver	ISSBI 10- 6	30 A	0301505	10
Bridge bar isolator , as distance piece for isolator bridge bar		gray	IS-K 4		1302338	100
Separating disk , for separation of neighboring bridges, can be fitted later, no loss of pitch		gray	TS-USST 4/10		3070383	50
Test socket		silver	PSB 3/10/4		0601292	10
Test socket , insulated, can be used only with FBI and ISSBI		silver	PSBJ 3/13/4		0201304	10
Screwdriver			SF-SL 0,6X3,5-100 S-VDE		1212587	10
Screwdriver , for disconnect slide and test socket			SZG 0,6X3,5 VDE		1205121	10

Accessories						
Cover , width 2.2 mm			D-USST 4-MT	3070304	50	
Partition plate , 2 mm wide		gray	TPNS-UK	0706647	50	
Fixed bridge , insulated	10	silver	FBI 10- 6	38 A	0203250	10
Isolator bridge bar , divisible, with 10 screws, for switchable branches with IS-K...	10	silver	ISSBI 10- 6	30 A	0301505	10
Bridge bar isolator , as distance piece for isolator bridge bar		gray	IS-K 4		1302338	100
Separating disk , for separation of neighboring bridges, can be fitted later, no loss of pitch		gray	TS-USST 4/10		3070383	50
Test socket		silver	PSB 3/10/4		0601292	10
Test socket , insulated, can be used only with FBI and ISSBI		silver	PSBJ 3/13/4		0201304	10
Screwdriver			SF-SL 0,6X3,5-100 S-VDE		1212587	10
Screwdriver , for disconnect slide and test socket			SZG 0,6X3,5 VDE		1205121	10

Lateral groove labeling	UC-TM 6, UCT-TM 6 or ZB 6 (see Catalog 5)
--------------------------------	--

Lateral groove labeling	UC-TM 6, UCT-TM 6 or ZB 6 (see Catalog 5)
--------------------------------	--

Modular terminal blocks

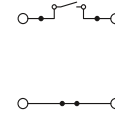
USST spring-assisted screw terminal blocks

Spring-assisted test disconnect and feed-through terminal blocks

- The USST 6 test disconnect terminal block was specifically developed for use in current transformer secondary circuits
- Can be fitted on both sides with fixed bridges as well as test sockets with a 4 mm diameter
- Terminal block and accessories were designed to be touch-proof as per BGV A2

CLIP PROJECT Planning enables the quick and convenient planning and configuration of fault-free terminal strips.

Notes:
For more test sockets, visit www.phoenixcontact.net/products
For more short-circuit plugs, visit www.phoenixcontact.net/products
1) When the switching jumper is used, U_{max} is reduced to 400 V.



6 (10) mm², 30 A, test disconnect terminal block



Dimensions	[mm]
Dimensions	[mm]
Max. electrical data	
Rated data	
Rated voltage	[V]
Nominal current / cross section	[A] / [mm ²]
Rated cross section	[mm ²]
Cross section range	AWG
Connection capacity	
1 conductor	[mm ²]
Two conductors (of the same type)	[mm ²]
Two stranded conductors with a TWIN ferrule	[mm ²]
General data	
Stripping length	[mm]
Screw thread	
Tightening torque	[Nm]
Insulating material	
Inflammability class according to UL 94	

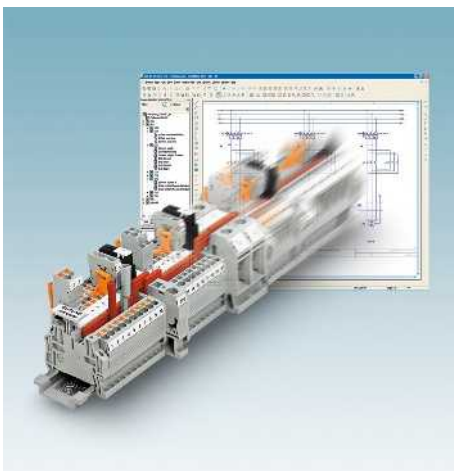
Technical data			
Width	Length	Height NS 35/7,5	
8.2	82	52	
Width	Length	Height NS 32	
8.2	82	57	
I_{max} [A]	U_{max} [V]	max. Ø [mm ²]	AWG
57	500	0.2 - 10	24 - 8
IEC 60947-7-1			
IEC	UL/CUL	CSA	IEC/EN 60079-7
Rated voltage	300	-	-
Nominal current / cross section	41 / 6	30 / -	-
Rated cross section	6	-	-
Cross section range	24 - 8	24-10	-
Connection capacity	solid	stranded	Ferrule
1 conductor	0.2 - 10	0.2 - 6	Without / with plastic sleeve
Two conductors (of the same type)	0.2 - 2.5	0.2 - 2.5	0.25 - 6 0.25 - 6
Two stranded conductors with a TWIN ferrule			0.25 - 1.5 -
			0.5 - 4
General data			
Stripping length	[mm]		
Screw thread			
Tightening torque	[Nm]		
Insulating material			
Inflammability class according to UL 94			

Description	No. of pos.	Color
Test disconnect terminal block, for mounting on NS 32... or NS 35...		gray
Feed-through terminal block, for mounting on NS 32... or NS 35...		gray

Ordering data			
Type	I_{max}	Order No.	Pcs. / Pkt.
USST 6-T		3070312	50

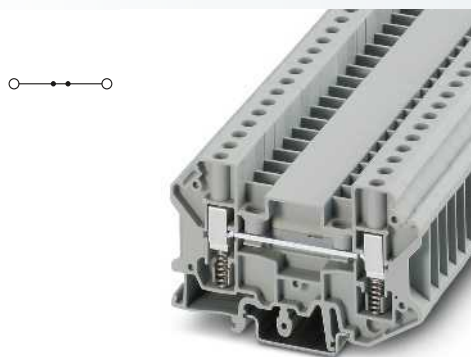
Cover, width 2.2 mm		gray
Switching jumper, complete		
	2	orange
	3	orange
	4	orange
Fixed bridge, insulated	10	silver
Isolator bridge bar, 10-pos.	10	silver
Switching lock, excludes the possibility of an unintentional operation of the disconnect slide		white
Test socket		
Female test plug, insulated		transparent
		blue
		yellow
		green
		violet
		black
Short-circuit plug, for short circuiting neighboring terminal blocks, fully insulated, 2-pos., I_{max} 20 A		black
Short-circuit plug, for short circuiting neighboring terminal blocks, can only be used with PSB or PSBJ, with an 8.2 mm pitch		black
Screwdriver		
Screwdriver, for disconnect slide and test socket		

Accessories			
D-USST 6-T		3070367	50
FBRI 10-8 N	45 A	2772080	10
SCBI 10-8,15 ISO S-URTK/SP		3000417	10
		0311155	50
PSBJ-URTK 6 FARBLOS		3026450	10
PSBJ-URTK 6 BU		3026434	10
PSBJ-URTK 6 YE		3026405	10
PSBJ-URTK 6 GN		3026418	10
PSBJ-URTK 6 VT		3026421	10
PSBJ-URTK 6 BK		3026447	10
KSS 8		0311540	10
KSS 4-8		0309549	10
SZS 1,0X4,0 VDE		1205066	10
SF-SL 0,6X3,5-100 S-VDE		1212587	10

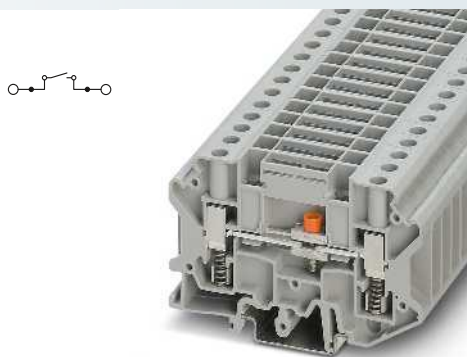


Lateral groove labeling

UC-TM 8, UCT-TM 8 or ZB 8 (see Catalog 5)



6 (10) mm², 57 A, feed-through terminal block, same shape



6 (10) mm², 30 A, test disconnect terminal block, for accommodating switching jumpers, 2 connections



Technical data			
Width	Length	Height NS 35/7,5	
8.2	82	52	
Width	Length	Height NS 32	
8.2	82	57	
I _{max} [A]	U _{max} [V]	max. Ø [mm ²]	AWG
57	500	0.2 - 10	24 - 8
IEC 60947-7-1			
IEC	UL/CUL	CSA	IEC/EN 60079-7
500	300	-	-
41 / 6	30 / -	-	-
6	-	-	-
24 - 8	24-10	-	-
solid	stranded	Ferrule	
		Without / with plastic sleeve	
0.2 - 10	0.2 - 6	0.25 - 6	0.25 - 6
0.2 - 2.5	0.2 - 2.5	0.25 - 1.5	-
			0.5 - 4
12			
M4			
1.5 - 1.8			
PA			
V0			

Technical data			
Width	Length	Height NS 35/7,5	
8.2	82	52	
Width	Length	Height NS 32	
8.2	82	57	
I _{max} [A]	U _{max} [V]	max. Ø [mm ²]	AWG
57	500 ¹⁾	0.2 - 10	24 - 8
IEC 60947-7-1			
IEC	UL/CUL	CSA	IEC/EN 60079-7
500 ¹⁾	300	-	-
41 / 6	30 / -	-	-
6	-	-	-
24 - 8	24-10	-	-
solid	stranded	Ferrule	
		Without / with plastic sleeve	
0.2 - 10	0.2 - 6	0.25 - 6	0.25 - 6
0.2 - 2.5	0.2 - 2.5	0.25 - 1.5	-
			0.5 - 4
12			
M4			
1.5 - 1.8			
PA			
V0			

Ordering data			
Type	I _{max}	Order No.	Pcs. / Pkt.
USSTD 6		3070325	50

Ordering data			
Type	I _{max}	Order No.	Pcs. / Pkt.
USST 6-T/SB		3070310	50

Accessories			
D-USST 6-T		3070367	50
FBRI 10-8 N	45 A	2772080	10
SCBI 10-8,15 ISO		3000417	10
PSBJ-URTK 6 FARBLOS		3026450	10
PSBJ-URTK 6 BU		3026434	10
PSBJ-URTK 6 YE		3026405	10
PSBJ-URTK 6 GN		3026418	10
PSBJ-URTK 6 VT		3026421	10
PSBJ-URTK 6 BK		3026447	10
KSS 8		0311540	10
KSS 4-8		0309549	10
SZS 1,0X4,0 VDE		1205066	10

Accessories			
D-USST 6-T		3070367	50
SB 6-T 2-8	32 A	3075842	10
SB 6-T 3-8	32 A	3075843	10
SB 6-T 4-8	32 A	3075844	10
FBRI 10-8 N	30 A	2772080	10
SCBI 10-8,15 ISO	24 A	3000417	10
TPS 3/20/5		3246586	10
KSS 8		0311540	10
SZS 1,0X4,0 VDE		1205066	10
SF-SL 0,6X3,5-100 S-VDE		1212587	10

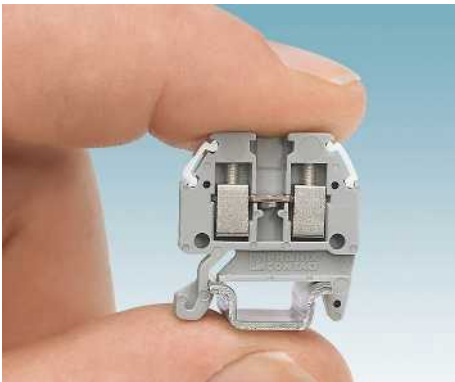
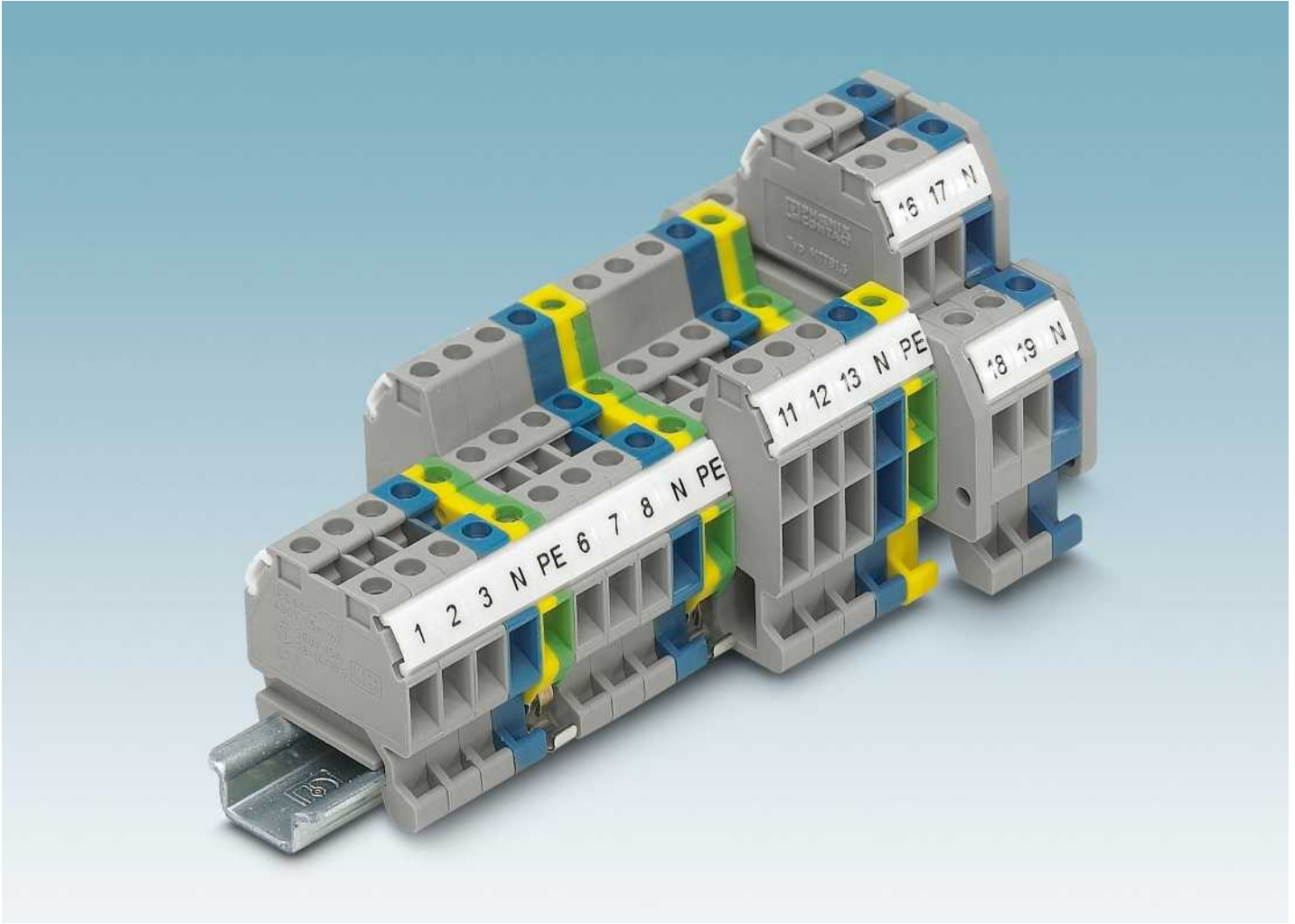
UC-TM 8, UCT-TM 8 or ZB 8 (see Catalog 5)

UC-TM 8, UCT-TM 8 or ZB 8 (see Catalog 5)

Modular terminal blocks

MT and MBK mini screw terminal blocks

MT... miniature terminal blocks



Miniature modular terminal blocks

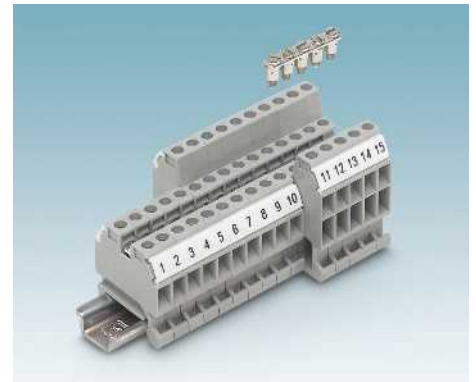
The MT miniature screw terminal blocks may be tiny but they can be labeled and bridged just like their larger cousins. With a pitch of 4.2 mm and a connection cross section of 1.5 mm², they permit convenient wiring in tight spaces.



Universal and zero-maintenance

The screw connection of the MT miniature terminal blocks is characterized by three main features.

- Global standard
- Multiple conductor connection
- Zero maintenance thanks to Reakdyn principle



Continuous potential distribution

Potential branching is one of the most common tasks in control unit construction. The MT miniature terminal blocks are available as three and four-conductor terminal blocks. A large number of switching tasks can be undertaken in the terminal strip with the linear bridge shaft.

MT ... miniature feed-through terminal block, for NS 15 DIN rail

Thanks to their compact design, MT 1,5 micro terminals can keep pace with the growing need for ever smaller switch boxes.

The miniature terminal blocks have everything that makes the modular terminal blocks stand out:

- Design width of just 4.2 mm
- Nominal cross section of 1.5 mm²
- Snap-on foot for NS 15 DIN rails
- Numerous labeling options
- Bridging facility in terminal center

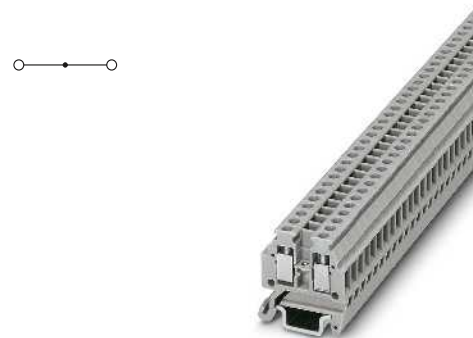
Potential branching is one of the main tasks of modular terminal blocks in control unit construction.

- The MT 1,5-TWIN or MT 1,5-QUATRO three or four-conductor terminal blocks undertake this work in very tight spaces
- The amount of space saved is maximized with the MTTB 1,5 double-level micro terminal
- This double-level terminal block contains two feed-through levels which can be bridged independently of one another
- Can be used on both 15 mm NS 15 DIN rails and 35 mm NS 35 DIN rail

Mini terminal blocks with plug-in bridge

- The new mini terminal blocks with MUT plug-in bridge can be found in the "UT screw connection terminal blocks" section

Notes:
For mini screw terminal blocks with plug-in bridges, see page 80



1.5 (1.5) mm², 17.5 A, feed-through terminal block



Dimensions		[mm]
Max. electrical data		
Rated data		
Rated voltage	[V]	400
Nominal current / cross section	[A] / [mm ²]	17.5 / 1.5
Rated cross section	[mm ²]	1.5
Cross section range	AWG	26 - 16
Connection capacity		
1 conductor	[mm ²]	0.14 - 1.5
Two conductors (of the same type)	[mm ²]	0.14 - 0.5
General data		
Stripping length	[mm]	6
Screw thread		M2
Tightening torque	[Nm]	0.22 - 0.25
Insulating material		PA
Inflammability class according to UL 94		V0

Technical data			
Width	Length	Height NS 15	
4.2	22	23.5	
I _{max} [A]	U _{max} [V]	max. Ø [mm ²]	AWG
17.5	400	0.14 - 1.5	26 - 16
IEC 60947-7-1			
IEC	UL/CUL	CSA	IEC/EN 60079-7
400	300	300	-
17.5 / 1.5	15 / -	15 / -	-
1.5	-	-	-
26 - 16	30-14	28-14	-
solid		stranded	
Ferrule			
Without / with plastic sleeve			
0.14 - 1.5	0.14 - 1.5	0.25 - 0.75	0.25 - 0.75
0.14 - 0.5	0.14 - 0.5	0.25 - 0.34	-

Description	No. of pos.	Color
Terminal block, for mounting on NS 15 in acc. with EN 60715		gray
		blue

Ordering data			
Type	I _{max}	Order No.	Pcs. / Pkt.
MT 1,5		3100305	50
MT 1,5 BU		3003363	50

Cover, width 1 mm		gray
		blue
Fixed bridge, insulated	10	silver
Screwdriver		
Lateral groove labeling		

Accessories			
D-MT 1,5		3100321	50
D-MT 1,5 BU		3025529	50
FBRN 10-4 N	12 A	3001624	10
SZS 0,4X2,5 VDE		1205037	10
ZBF 4 (see Catalog 5)			

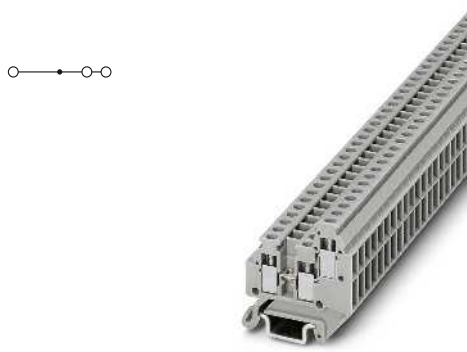
Modular terminal blocks

MT and MBK mini screw terminal blocks

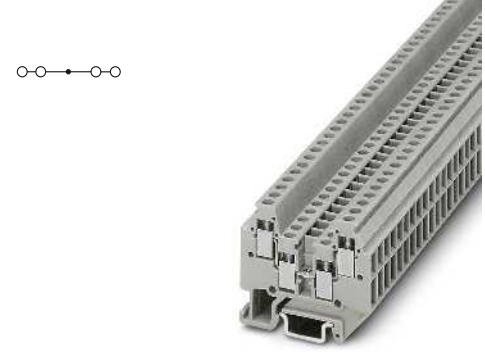
MT ... miniature feed-through terminal block with 3 and 4 connections, for NS 15 DIN rail

- Design width of just 4.2 mm
- Nominal cross section of 1.5 mm²
- Snap-on foot for NS 15 DIN rails
- Numerous labeling options
- Bridging facility in terminal center

Notes:
 *) The total current of all connected conductors must not exceed the max. load current.



1.5 (1.5) mm², 17.5 A, feed-through terminal block, 3 connections



1.5 (1.5) mm², 16 A, feed-through terminal block, 4 connections



Dimensions		[mm]
Max. electrical data		
Rated voltage	[V]	400
Nominal current / cross section	[A] / [mm ²]	17.5 / 1.5
Rated cross section	[mm ²]	1.5
Cross section range	AWG	26 - 16
Connection capacity		
1 conductor	[mm ²]	0.14 - 1.5
Two conductors (of the same type)	[mm ²]	0.14 - 0.5
General data		
Stripping length	[mm]	6
Screw thread		M2
Tightening torque	[Nm]	0.22 - 0.25
Insulating material		PA
Inflammability class according to UL 94		V0

Technical data				
Width	Length	Height NS 15		
4.2	28	30		
I _{max} [A]	U _{max} [V]	max. Ø [mm ²]	AWG	
17.5*)	400	0.14 - 1.5	26 - 16	
IEC 60947-7-1				
IEC	UL/CUL	CSA	IEC/EN 60079-7	
Rated voltage	[V]	300	-	
Nominal current / cross section	[A] / [mm ²]	15 / -	15 / -	
Rated cross section	[mm ²]	-	-	
Cross section range	AWG	30-14	28-14	
Connection capacity		Ferrule		
		Without / with plastic sleeve		
1 conductor	[mm ²]	0.14 - 1.5	0.25 - 0.75	0.25 - 0.75
Two conductors (of the same type)	[mm ²]	0.14 - 0.5	0.14 - 0.5	0.25 - 0.34
General data		6		
Stripping length	[mm]	M2		
Screw thread		0.22 - 0.25		
Tightening torque	[Nm]	PA		
Insulating material		V0		
Inflammability class according to UL 94				

Technical data				
Width	Length	Height NS 15		
4.2	33.5	30		
I _{max} [A]	U _{max} [V]	max. Ø [mm ²]	AWG	
16*)	400	0.14 - 1.5	26 - 16	
IEC 60947-7-1				
IEC	UL/CUL	CSA	IEC/EN 60079-7	
Rated voltage	[V]	300	-	
Nominal current / cross section	[A] / [mm ²]	16 / 1.5	15 / -	
Rated cross section	[mm ²]	1.5	-	
Cross section range	AWG	26 - 16	30-14	
Connection capacity		Ferrule		
		Without / with plastic sleeve		
1 conductor	[mm ²]	0.14 - 1.5	0.14 - 1.5	0.25 - 0.75
Two conductors (of the same type)	[mm ²]	0.14 - 0.5	0.14 - 0.5	0.25 - 0.34
General data		6		
Stripping length	[mm]	M2		
Screw thread		0.22 - 0.25		
Tightening torque	[Nm]	PA		
Insulating material		V0		
Inflammability class according to UL 94				

Description	No. of pos.	Color
Terminal block, for mounting on NS 15 in acc. with EN 60715		gray
		blue

Ordering data			
Type	I _{max}	Order No.	Pcs. / Pkt.
MT 1,5-TWIN		3001682	50
MT 1,5-TWIN BU		3025532	50

Ordering data			
Type	I _{max}	Order No.	Pcs. / Pkt.
MT 1,5-QUATTRO		3001679	50
MT 1,5-QUATTRO BU		3025150	50

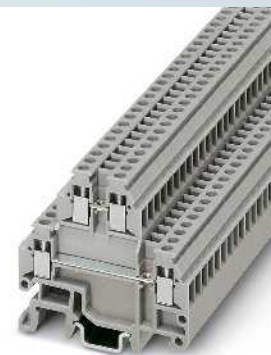
Accessories	No. of pos.	Color
Cover, width 1 mm		gray
Fixed bridge, insulated		blue
Screwdriver	10	silver
Lateral groove labeling		

Accessories			
Type	I _{max}	Order No.	Pcs. / Pkt.
D-MT 1,5-TWIN		3002979	50
D-MT 1,5-TWIN BU		3025545	50
FBRN 10-4 N	12 A	3001624	10
SZS 0,4X2,5 VDE		1205037	10
ZBF 4 (see Catalog 5)			

Accessories			
Type	I _{max}	Order No.	Pcs. / Pkt.
D-MT 1,5-QUATTRO		3002982	50
D-MT 1,5-QUATTRO BU		3025309	50
FBRN 10-4 N	12 A	3001624	10
SZS 0,4X2,5 VDE		1205037	10
ZBF 4 (see Catalog 5)			

MTTB 1,5 miniature double-level terminal blocks

- Design width of just 4.2 mm
- Nominal cross section of 1.5 mm²
- Snap-on foot for NS 15 and NS 35 DIN rails
- Numerous labeling options
- Bridging facility on both levels
- Even if fully wired, the level offset offers unobstructed access to the lower connection level



1.5 (1.5) mm², 17.5 A, double-level terminal block



Dimensions			
	[mm]	4.2	44
Dimensions			
	[mm]	4.2	44
Max. electrical data			
Rated data			
Rated voltage	[V]	400	300
Nominal current / cross section	[A] / [mm ²]	17.5 / 1.5	15 / -
Rated cross section	[mm ²]	1.5	-
Cross section range	AWG	26 - 16	30-14
Connection capacity			
1 conductor	[mm ²]	0.14 - 1.5	0.14 - 1.5
Two conductors (of the same type)	[mm ²]	0.14 - 0.5	0.14 - 0.5
General data			
Stripping length	[mm]	6	
Screw thread		M2	
Tightening torque	[Nm]	0.22 - 0.25	
Insulating material		PA	
Inflammability class according to UL 94		V0	

Technical data			
Width	Length	Height NS 35/7,5	
4.2	44	41	
Width	Length	Height NS 15	
4.2	44	41	
I_{max} [A]	U_{max} [V]	max. Ø [mm ²]	AWG
17.5	400	0.14 - 1.5	26 - 16
IEC 60947-7-1	UL/CUL	CSA	IEC/EN 60079-7
IEC			
Rated voltage	[V]	300	-
Nominal current / cross section	[A] / [mm ²]	15 / -	-
Rated cross section	[mm ²]	-	-
Cross section range	AWG	28-14	-
Connection capacity			Ferrule
	solid	stranded	Without / with plastic sleeve
1 conductor	[mm ²]	0.14 - 1.5	0.25 - 0.75 0.25 - 0.75
Two conductors (of the same type)	[mm ²]	0.14 - 0.5	0.25 - 0.34 -

Description	No. of pos.	Color
Double-level terminal block , with universal foot, for mounting on NS 15 or NS 35 in accordance with EN 60715		gray
		blue
Cover , width 1 mm		gray
		gray
Spacer plate , compensates for level offset if standard terminal blocks are to be fitted adjacently, 2 mm thick		gray
Fixed bridge , insulated	10	silver
Screwdriver		
Lateral groove labeling		

Ordering data			
Type	I_{max}	Order No.	Pcs. / Pkt.
MTTB 1,5		1414129	50
MTTB 1,5 BU		3000926	50

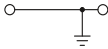
Accessories			
D-MTTB 1,5		3002665	50
DG-MTTB 1,5		3002678	50
DP-MTTB 1,5		3002681	50
FBRN 10-4 N	12 A	3001624	10
SZS 0,4X2,5 VDE		1205037	10
ZBF 4 (see Catalog 5)			

Modular terminal blocks

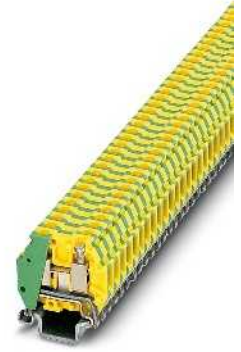
MT and MBK mini screw terminal blocks

MT ...-PE miniature ground terminal blocks, for NS 15 DIN rails

Notes:
For current carrying capacity of DIN rails, see page 716.



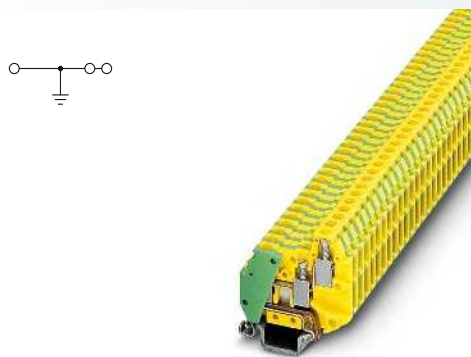
- Same shape and pitch as the feed-through terminal blocks
- The MT ...-PE meet all the requirements of standard IEC 60947-7-2
These are in particular:
 - Low contact resistance
 - Green-yellow housing
 - Corrosion-proof terminal points
 - Captive clamping screws



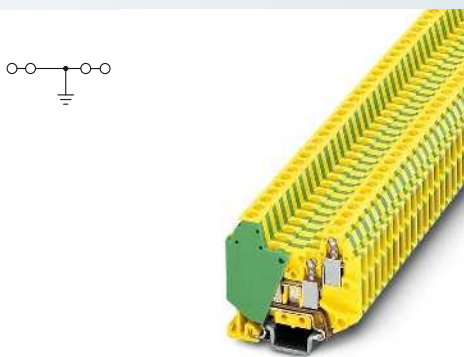
1.5 (1.5) mm², ground terminal block



		Technical data			
Dimensions		Width	Length	Height NS 15	
	[mm]	4.2	22	23.5	
Max. electrical data				max. Ø [mm ²]	AWG
				0.14 - 1.5	26 - 16
Rated data		IEC 60947-7-2			
		IEC	UL/CUL	CSA	IEC/EN 60079-7
Rated voltage	[V]	-	-	-	-
Nominal current / cross section	[A] / [mm ²]	-	- / -	-	-
Rated cross section	[mm ²]	1.5	-	-	-
Cross section range	AWG	26 - 16	30-14	28-14	-
Connection capacity				Ferrule	
				Without / with plastic sleeve	
1 conductor	[mm ²]	0.14 - 1.5	0.14 - 1.5	0.25 - 0.75	0.25 - 0.75
Two conductors (of the same type)	[mm ²]	0.14 - 0.5	0.14 - 0.5	0.25 - 0.34	-
General data					
Stripping length	[mm]	6			
Screw thread		M2			
Tightening torque	[Nm]	0.22 - 0.25			
Insulating material		PA			
Inflammability class according to UL 94		V0			
		Ordering data			
Description	Color	Type	Order No.	Pcs. / Pkt.	
Ground terminal block, for mounting on NS 15	green-yellow	MT 1,5-PE	3100318	50	
		Accessories			
Screwdriver		SZS 0,4X2,5 VDE	1205037	10	
Lateral groove labeling		ZBF 4 (see Catalog 5)			



1.5 (1.5) mm², ground terminal block, 3 connections



1.5 (1.5) mm², ground terminal block, 4 connections



Technical data			
Width	Length	Height NS 15	
4.2	28	30	
		max. Ø [mm ²]	AWG
		0.14 - 1.5	26 - 16
IEC 60947-7-2			
IEC	UL/CUL	CSA	IEC/EN 60079-7
-	-	-	-
-	-/-	-	-
1.5	-	-	-
26 - 16	30-14	28-14	-
solid	stranded	Ferrule	
		Without / with plastic sleeve	
0.14 - 1.5	0.14 - 1.5	0.25 - 0.75	0.25 - 0.75
0.14 - 0.5	0.14 - 0.5	0.25 - 0.34	-
6			
M2			
0.22 - 0.25			
PA			
V0			

Technical data			
Width	Length	Height NS 15	
4.2	33.5	30	
		max. Ø [mm ²]	AWG
		0.14 - 1.5	26 - 16
IEC 60947-7-2			
IEC	UL/CUL	CSA	IEC/EN 60079-7
-	-	-	-
-	-/-	-	-
1.5	-	-	-
26 - 16	30-14	28-14	-
solid	stranded	Ferrule	
		Without / with plastic sleeve	
0.14 - 1.5	0.14 - 1.5	0.25 - 0.75	0.25 - 0.75
0.14 - 0.5	0.14 - 0.5	0.25 - 0.34	-
6			
M2			
0.22 - 0.25			
PA			
V0			

Ordering data		
Type	Order No.	Pcs. / Pkt.
MT 1,5-TWIN-PE	3001705	50

Ordering data		
Type	Order No.	Pcs. / Pkt.
MT 1,5-QUATTRO-PE	3001695	50

Accessories		
SZS 0,4X2,5 VDE	1205037	10
ZBF 4 (see Catalog 5)		

Accessories		
SZS 0,4X2,5 VDE	1205037	10
ZBF 4 (see Catalog 5)		

Modular terminal blocks

MT and MBK mini screw terminal blocks

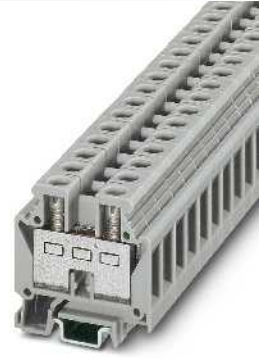
MBK ... miniature feed-through terminal blocks

- The MBK ... and MSLKG ... terminal blocks represent the top end of the mini terminal block range for 15 mm NS 15 DIN rails
- MBK ... terminal blocks can be bridged in the terminal center
- Lateral marking with ZB zack marker strip terminal marking for tall marker groove
- Cross sections of up to 6 mm² can be easily wired
- Extensive bridging material, such as fixed bridges, insertion bridges and switchable bridges, enable simple and reliable potential branching
- A separating disk, partition plate, and test socket complete the range of accessories

Mini terminal blocks with plug-in bridge

- The new mini terminal blocks with MUT plug-in bridge can be found in the "UT screw connection terminal blocks" section

Notes:
For mini screw terminal blocks with plug-in bridges, see page 80.
For current carrying capacity of DIN rails, see page 716.
1) For installation notes on the use of accessories for Ex e applications, see page 710.



6 (10) mm², 57 A, feed-through terminal block



Ex: Ex e
KEMA 01ATEX2134U / IECEx KEM 07.0008U

Dimensions		[mm]	
Max. electrical data			
Rated data			
Rated voltage	[V]	500	600
Nominal current / cross section	[A] / [mm ²]	41 / 6	50 / -
Rated cross section	[mm ²]	6	-
Cross section range	AWG	20 - 8	26-8
Connection capacity			
1 conductor	[mm ²]	0.5 - 10	0.5 - 6
Two conductors (of the same type)	[mm ²]	0.5 - 2.5	0.5 - 2.5
Two stranded conductors with a TWIN ferrule	[mm ²]	6	4
Max. cross section with insertion bridge	[mm ²]	6	4
General data			
Stripping length	[mm]	10	
Screw thread		M4	
Tightening torque	[Nm]	1.5 - 1.8	
Insulating material		PA	
Inflammability class according to UL 94		V2	

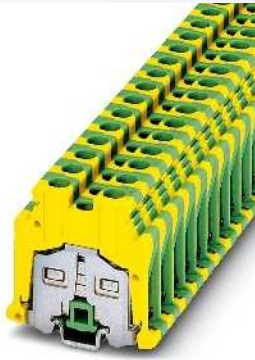
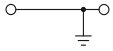
Technical data				
Width	Length	Height NS 15		
8.2	35	36		
I _{max} [A]	U _{max} [V]	max. Ø [mm ²]	AWG	
57	500	0.5 - 10	20 - 8	
IEC 60947-7-1				
IEC	UL/CUL	CSA	IEC/EN 60079-7	
41 / 6	50 / -	50 / -	37 / 6 // 49 / 10	
6	-	-	6	
20 - 8	26-8	26-8	20 - 8	
Connection capacity		Ferrule		
		Without / with plastic sleeve		
solid	stranded	0.25 - 6	0.25 - 6	
0.5 - 10	0.5 - 6	0.5 - 2.5	-	
0.5 - 2.5	0.5 - 2.5	0.5 - 2.5	0.5 - 2.5	
6	4			
10				
M4				
1.5 - 1.8				
PA				
V2				

Description	No. of pos.	Color
Terminal block, for mounting on NS 15		gray
Ground terminal block, for mounting on NS 15		green-yellow

Ordering data			
Type	I _{max}	Order No.	Pcs. / Pkt.
MBK 6/E		0552024	50

Accessories ¹⁾		
Cover, width 1 mm		gray
Insertion bridge, fully insulated		
	2	gray
	3	gray
	4	gray
	10	gray
Fixed bridge, insulated		
	10	silver
Switching jumper for 2 terminal blocks, complete, mounted with short or long link according to required separation		
	2	aluminum
Bridge bar isolator, as distance piece for isolator bridge bar		gray
Separating disk, for separation of neighboring bridges, can be fitted later, no loss of pitch		gray
Partition plate, for visual and electrical separation of terminal groups, 2.5 mm thick		gray
Test socket, for test connection with PS test plug		silver
Screwdriver		
Lateral groove labeling		

Accessories ¹⁾			
D-MBK/E	I _{max}	Order No.	Pcs. / Pkt.
		1415021	50
EB 2- 8	43 A	0202154	100
EB 3- 8	43 A	0202141	100
EB 4- 8	43 A	0202142	100
EB 10- 8	43 A	0202138	10
FBI 10- 8	48 A	0203263	10
SB 2- 8/13	43 A	0202235	1
IS-K 10		1303337	100
TS-KK 3		2770215	50
ATP-MBK		1413227	50
PSB 4/7/6		0303299	10
SZS 1,0X4,0 VDE		1205066	10
ZB 8 (see Catalog 5)			



6 (10) mm², ground terminal block



Ex: KEMA 01ATEX2134U / IECEx KEM 07.0008U

Technical data

Width	Length	Height NS 15	
8.2	39	36	
		max. Ø [mm ²]	AWG
		0.5 - 10	20 - 8
IEC 60947-7-2			
IEC	UL/CUL	CSA	IEC/ EN 60079-7
-	-	-	-
-	- / -	-	-
6	-	-	6
20 - 8	26-8	26-8	20 - 8
solid	stranded	Ferrule	
		Without / with plastic sleeve	
0.5 - 10	0.5 - 6	0.5 - 6	0.5 - 6
0.5 - 2.5	0.2 - 2.5	0.5 - 1.5	-
			0.5 - 2.5

10
M4
1.5 - 1.8
PA
V2

Ordering data

Type	Order No.	Pcs. / Pkt.
MSLKG 6	1410505	50

Accessories¹⁾

SZS 1,0X4,0 VDE	1205066	10
ZB 8 (see Catalog 5)		

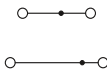
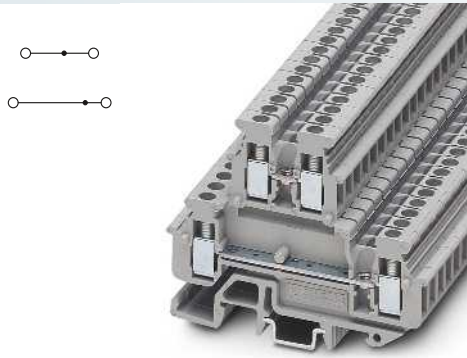
Modular terminal blocks

MT and MBK mini screw terminal blocks

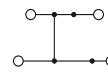
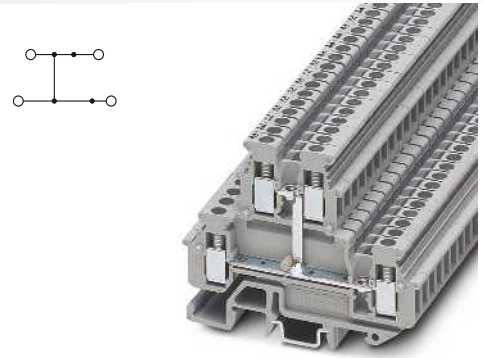
MBKKB 2,5... mini double-level terminal blocks

- The miniature double-level terminal block is characterized by its space-saving, low height and offset levels
- Fixed bridges and test sockets can be inserted on both levels

Notes:
1) The total current of all connected conductors must not exceed the max. load current.
2) For installation notes on the use of accessories for Ex e applications, see page 710.



2.5 (4) mm², 24 A, double-level terminal block



2.5 (4) mm², 24 A, double-level terminal block, internally connected levels



Ex: KEMA 03ATEX2082 U / IECEx KEM 07.0018U



Dimensions		[mm]
Dimensions		[mm]
Max. electrical data		
Rated data		
Rated voltage	[V]	500
Nominal current / cross section	[A] / [mm ²]	24 / 2.5
Rated cross section	[mm ²]	2.5
Cross section range	AWG	24 - 12
Connection capacity		
1 conductor	[mm ²]	0.2 - 4
Two conductors (of the same type)	[mm ²]	0.2 - 1.5
Two stranded conductors with a TWIN ferrule	[mm ²]	0.2 - 1.5
Max. cross section with insertion bridge	[mm ²]	2.5
General data		
Stripping length	[mm]	7
Screw thread		M3
Tightening torque	[Nm]	0.5 - 0.6
Insulating material		PA
Inflammability class according to UL 94		V2

Technical data			
Width	Length	Height NS 35/7,5	
5.2	62	48	
Width	Length	Height NS 15	
5.2	62	47.5	
I _{max} [A]	U _{max} [V]	max. Ø [mm ²]	AWG
24	500	0.2 - 4	24 - 12
IEC 60947-7-1			
IEC	UL/CUL	CSA	IEC/EN 60079-7
500	300	300	275
24 / 2.5	20 / -	20 / -	21 / 2.5 // 26 / 4
2.5	-	-	2.5
24 - 12	30-12	28-12	24 - 12
Connection capacity			
		Ferrule	
		Without / with plastic sleeve	
0.2 - 4	0.2 - 2.5	0.25 - 2.5	0.25 - 1.5
0.2 - 1.5	0.2 - 1.5	0.25 - 1.5	-
		0.5 - 1	
2.5	2.5		
General data			
Stripping length [mm] 7			
Screw thread M3			
Tightening torque [Nm] 0.5 - 0.6			
Insulating material PA			
Inflammability class according to UL 94 V2			

Technical data			
Width	Length	Height NS 35/7,5	
5.2	62	48	
Width	Length	Height NS 15	
5.2	62	47.5	
I _{max} [A]	U _{max} [V]	max. Ø [mm ²]	AWG
24 ¹⁾	500	0.2 - 4	24 - 12
IEC 60947-7-1			
IEC	UL/CUL	CSA	IEC/EN 60079-7
500	300	-	-
24 / 2.5	20 / -	-	-
2.5	-	-	-
24 - 12	30-12	-	-
Connection capacity			
		Ferrule	
		Without / with plastic sleeve	
0.2 - 4	0.2 - 2.5	0.25 - 2.5	0.25 - 1.5
0.2 - 1.5	0.2 - 1.5	0.25 - 1.5	-
		0.5 - 1	
2.5	2.5		
General data			
Stripping length [mm] 7			
Screw thread M3			
Tightening torque [Nm] 0.5 - 0.6			
Insulating material PA			
Inflammability class according to UL 94 V2			

Description	No. of pos.	Color
Double-level terminal block , with universal foot, for mounting on NS 15 or NS 35... in accordance with EN 60715		gray
		blue
		gray
Double-level terminal block , with universal foot, for mounting on NS 15 or NS 35... in accordance with EN 60715, with equipotential bonding between the levels ¹⁾		blue

Ordering data			
Type	I_{max}	Order No.	Pcs. / Pkt.
MBKKB 2,5		1414064	50
MBKKB 2,5 BU		1414077	50

Ordering data			
Type	I_{max}	Order No.	Pcs. / Pkt.
MBKKB 2,5-PV		2800583	50
MBKKB 2,5-PV BU		1414132	50

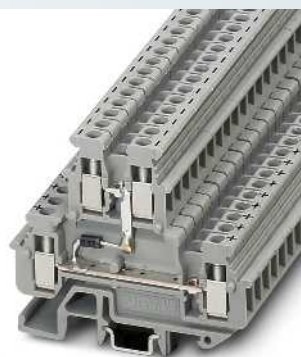
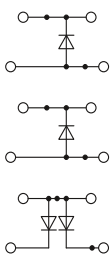
Cover , width 2.5 mm		gray
		blue
Spacer plate , compensates for level offsets, width 2.5 mm		gray
Fixed bridge , insulated		
	2	silver
	3	silver
	4	silver
	10	silver
Insertion bridge , for 5.2 mm pitch, fully insulated		
	2	gray
	3	gray
	10	gray
Separating disk , for separation of neighboring bridges, can be fitted later, no loss of pitch		gray
Test socket		silver
Screwdriver		
Lateral groove labeling		

Accessories²⁾			
D-MBKKB 2,5		1413052	50
D-MBKKB 2,5 BU		1413081	50
DP-MBKKB 2,5		1413065	50
FBRNI 2-5 N	22 A	3000175	10
FBRNI 3-5 N	22 A	3000162	10
FBRNI 4-5 N	22 A	3000159	10
FBRNI 10-5 N	22 A	2770639	10
EB 2- 5	20 A	1401158	100
EB 3- 5	20 A	1401145	100
EB 10- 5	20 A	1401132	10
TS-KK 3 SO		2778534	50
PSB 3/10/4		0601292	10
SF-SL 0,6X3,5-100 S-VDE		1212587	10
ZB 5 (see Catalog 5)			

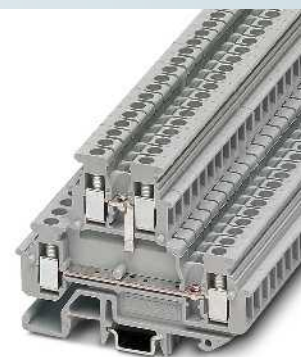
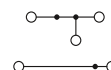
Accessories²⁾			
D-MBKKB 2,5		1413052	50
D-MBKKB 2,5 BU		1413081	50
DP-MBKKB 2,5		1413065	50
FBRNI 2-5 N	22 A	3000175	10
FBRNI 3-5 N	22 A	3000162	10
FBRNI 4-5 N	22 A	3000159	10
FBRNI 10-5 N	22 A	2770639	10
EB 2- 5	20 A	1401158	100
EB 3- 5	20 A	1401145	100
EB 10- 5	20 A	1401132	10
TS-KK 3 SO		2778534	50
PSB 3/10/4		0601292	10
SF-SL 0,6X3,5-100 S-VDE		1212587	10
ZB 5 (see Catalog 5)			

MBKKB 2,5... mini double-level terminal blocks

- Thanks to the different versions of double-level diode terminal blocks, it is possible to carry out a great variety of switching tasks
- The following can be implemented in tight spaces: freewheeling diode circuits, lamp test circuits, reporting and fault reporting circuits



With integrated diode 1N 4007



2.5 (4) mm², 24 A, double-level terminal block for soldering in components

Notes:

¹⁾ Data is based on the dielectric strength of adjacent terminal blocks or of the DIN rail.

²⁾ Integrated: Diode 1N 4007, reverse voltage: 1300 V, maximum continuous current: 0.5 A.



Dimensions		[mm]
Dimensions		[mm]
Max. electrical data		
Rated data		
Rated voltage	[V]	500 ¹⁾
Nominal current / cross section	[A] / [mm ²]	24 / 2.5
Rated cross section	[mm ²]	2.5
Cross section range	AWG	24 - 12
Connection capacity		
1 conductor	[mm ²]	0.2 - 4
Two conductors (of the same type)	[mm ²]	0.2 - 1
Two stranded conductors with a TWIN ferrule	[mm ²]	0.2 - 1.5
Max. cross section with insertion bridge	[mm ²]	2.5
General data		
Stripping length	[mm]	7
Screw thread		M3
Tightening torque	[Nm]	0.5 - 0.6
Insulating material		PA
Inflammability class according to UL 94		V2

Technical data				
Width	Length	Height NS 35/7,5		
5.2	62	48		
Width	Length	Height NS 15		
5.2	62	47.5		
I _{max} [A]	U _{max} [V]	max. Ø [mm ²]	AWG	
24	500 ¹⁾	0.2 - 4	24 - 12	
IEC 60947-7-1				
IEC	UL/CUL	CSA	IEC/EN 60079-7	
500 ¹⁾	-	-	-	
24 / 2.5	- / -	-	-	
2.5	-	-	-	
24 - 12	-	-	-	
Connection capacity				
solid	stranded	Ferrule		
		Without / with plastic sleeve		
0.2 - 4	0.2 - 2.5	0.25 - 2.5	0.25 - 2.5	
0.2 - 1	0.2 - 1.5	0.25 - 1.5	-	
			0.5 - 1.5	
2.5	2.5			
General data				
Stripping length	[mm]	7		
Screw thread		M3		
Tightening torque	[Nm]	0.5 - 0.6		
Insulating material		PA		
Inflammability class according to UL 94		V2		

Technical data				
Width	Length	Height NS 35/7,5		
5.2	62	48		
Width	Length	Height NS 15		
5.2	62	47.5		
I _{max} [A]	U _{max} [V]	max. Ø [mm ²]	AWG	
24	500 ¹⁾	0.2 - 4	24 - 12	
IEC 60947-7-1				
IEC	UL/CUL	CSA	IEC/EN 60079-7	
500 ¹⁾	-	-	-	
24 / 2.5	- / -	-	-	
2.5	-	-	-	
24 - 12	-	-	-	
Connection capacity				
solid	stranded	Ferrule		
		Without / with plastic sleeve		
0.2 - 4	0.2 - 2.5	0.25 - 2.5	0.25 - 2.5	
0.2 - 1	0.2 - 1.5	0.25 - 1.5	-	
			0.5 - 1.5	
2.5	2.5			
General data				
Stripping length	[mm]	7		
Screw thread		M3		
Tightening torque	[Nm]	0.5 - 0.6		
Insulating material		PA		
Inflammability class according to UL 94		V2		

Description	No. of pos.	Color
Terminal block, with integrated diode, conducting from top to bottom ²⁾		gray
Terminal block, with integrated diode, conducting from bottom to top ²⁾		gray
Terminal block, with integrated diode, conducting from top to bottom left and from top to bottom right ²⁾		gray
Terminal block, for soldering in a component from top to bottom		gray

Ordering data				
Type	I _{max}	Order No.	Pcs. / Pkt.	
MBKKB 2,5-DIO/O-U		2800567	50	
MBKKB 2,5-DIO/U-O		2800570	50	
MBKKB 2,5-2DIO/O-UL/O-UR		3003871	50	
MBKKB 2,5-BE		1414103	50	

Ordering data				
Type	I _{max}	Order No.	Pcs. / Pkt.	
MBKKB 2,5-DIO/O-U		2800567	50	
MBKKB 2,5-DIO/U-O		2800570	50	
MBKKB 2,5-2DIO/O-UL/O-UR		3003871	50	
MBKKB 2,5-BE		1414103	50	

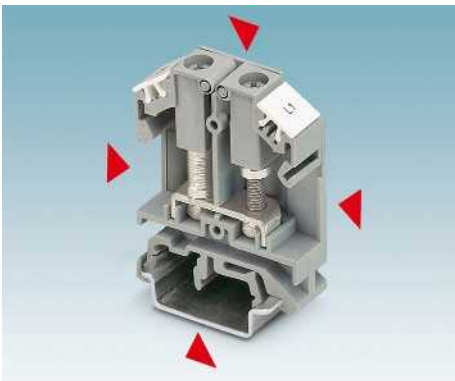
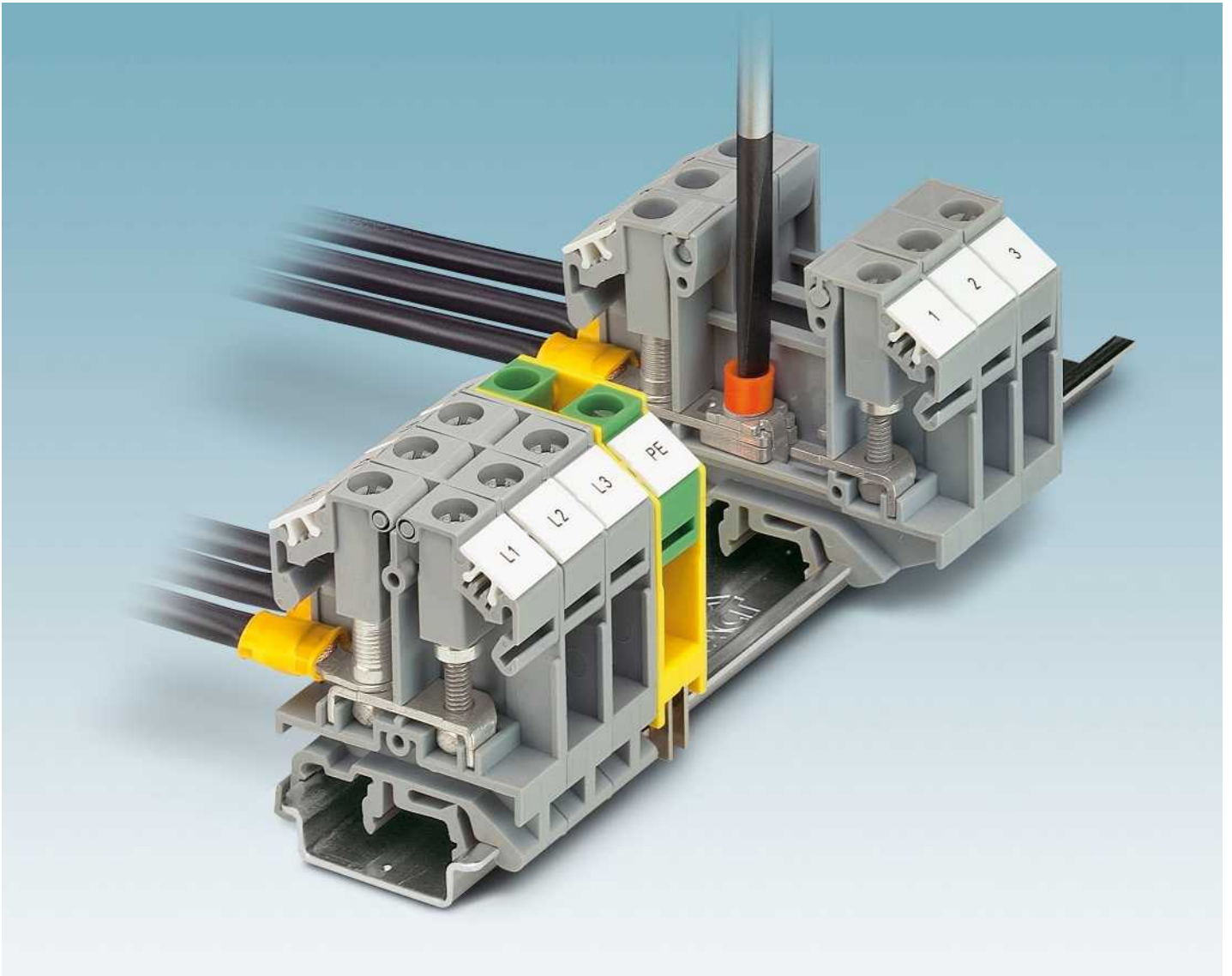
Accessories		
Item	Quantity	Color
Cover, width 2.5 mm		gray
Spacer plate, compensates for level offsets, width 2.5 mm		gray
Fixed bridge, insulated	2	silver
	3	silver
	4	silver
	10	silver
Screwdriver		
Lateral groove labeling		

Accessories				
Item	Quantity	Order No.	Pcs. / Pkt.	
D-MBKKB 2,5		1413052	50	
DP-MBKKB 2,5		1413065	50	
FBRNI 2-5 N	22 A	3000175	10	
FBRNI 3-5 N	22 A	3000162	10	
FBRNI 4-5 N	22 A	3000159	10	
FBRNI 10-5 N	22 A	2770639	10	
SF-SL 0,6X3,5-100 S-VDE		1212587	10	
ZB 5 (see Catalog 5)				

Accessories				
Item	Quantity	Order No.	Pcs. / Pkt.	
D-MBKKB 2,5		1413052	50	
DP-MBKKB 2,5		1413065	50	
FBRNI 2-5 N	22 A	3000175	10	
FBRNI 3-5 N	22 A	3000162	10	
FBRNI 4-5 N	22 A	3000159	10	
FBRNI 10-5 N	22 A	2770639	10	
SF-SL 0,6X3,5-100 S-VDE		1212587	10	
ZB 5 (see Catalog 5)				

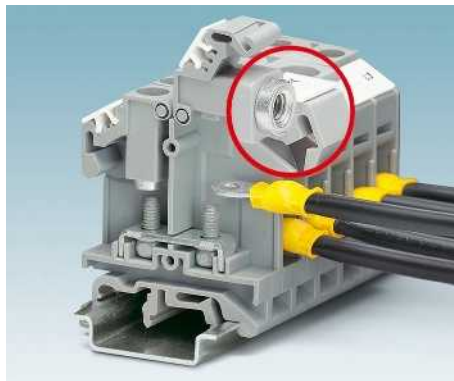
Modular terminal blocks

OTTA bolt connection terminal blocks



Space-saving design

Thanks to their compact design, OTTA bolt connection terminal blocks are ideally suited for switchgear, in which space is limited.



Fast, convenient conductor connection

The key feature of this range is the folding wing which can be swung up and which features a captive cap nut. This guarantees quick and easy ring cable lug wiring.

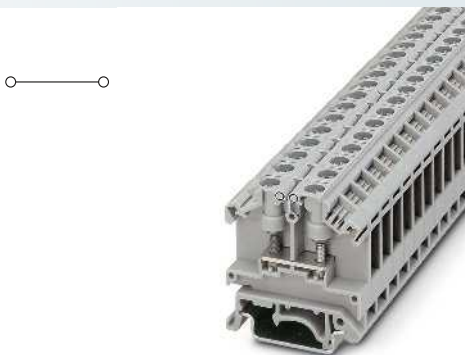


Integrated shock protection

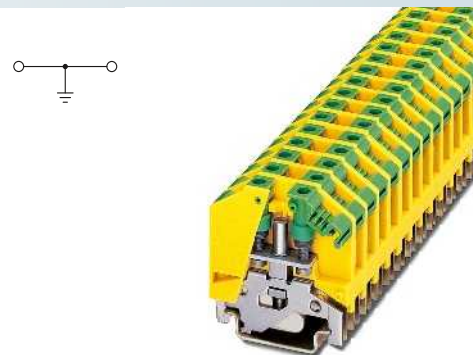
In addition to securing the cap nuts, the folding wing offers simultaneous shock protection when using insulated ring cable lugs.

OTTA ... feed-through and ground terminal blocks

- Convenient and fast conductor connection with captive cap nuts
- Safe use, even in applications which are subject to the most stringent requirements regarding shock and vibration
- Space-saving, compact design
- Integrated screw locking



2.5 (2.5) mm², 24 A, feed-through terminal block



2.5 (2.5) mm², ground terminal block



Technical data				
Width	Length	Height NS 35/7,5		
9	43.5	45.5		
Width	Length	Height NS 32		
9	43.5	50.5		
I _{max.} [A]	U _{max.} [V]	max. Ø [mm ²]	AWG	
24	800	0.1 - 2.5	26 - 14	
IEC 60947-7-1				
IEC	UL/CUL	CSA	IEC/EN 60079-7	
800	600	600	-	
Nominal current / cross section [A] / [mm ²]	24 / 2.5	20 / -	20 / -	-
Rated cross section [mm ²]	2.5	-	-	-
Cross section range AWG	26 - 14	-	22-14	-
Connection capacity, DIN 46234				
Cable lugs, DIN 46234 [mm ²]	0.1 - 2.5			
Connection bolt / hole diameter / width [mm]	3 / 3.2 / 7.6			
Color code	1.50 mm ² red 2.50 mm ² blue			
Connection capacity, DIN 46237				
Cable lugs, DIN 46237 [mm ²]	0.5 - 2.5			
Connection bolt / hole diameter / width [mm]	3 / 3.2 / 7.6			
General data				
Screw thread	M3			
Tightening torque [Nm]	0.6 - 0.8			
Insulating material	PA			
Inflammability class according to UL 94	V0			

Technical data				
Width	Length	Height NS 35/7,5		
10	43.5	45.5		
Width	Length	Height NS 32		
10	43.5	50.5		
		max. Ø [mm ²]	AWG	
		0.1 - 2.5	26 - 14	
IEC 60947-7-2				
IEC	UL/CUL	CSA	IEC/EN 60079-7	
-	-	-	-	
-	- / -	-	-	
2.5	-	-	-	
26 - 14	-	22-14	-	
0.1 - 2.5				
3 / 3.2 / 7.6				
0.5 - 2.5				
3 / 3.2 / 7.6				
M3				
0.6 - 0.8				
PA				
V2				

Ordering data				
Type	I _{max.}	Order No.	Pcs. / Pkt.	
OTTA 2,5		0790530	50	
OTTA 2,5-P/P		0790543	50	

Ordering data			
Type	Order No.	Pcs. / Pkt.	
OTTA 2,5-PE	0790556	50	

Accessories				
D-OTTA 2,5		Order No.	Pcs. / Pkt.	
EB 2-OTTA 2,5	24 A	3026065	10	
EB 3-OTTA 2,5	24 A	3026078	10	
EB 4-OTTA 2,5	24 A	3026081	10	
EB 5-OTTA 2,5	24 A	3026094	10	
EB 6-OTTA 2,5	24 A	3026104	10	
EB 7-OTTA 2,5	24 A	3026117	10	
EB 10-OTTA 2,5	24 A	3026120	10	
ATP-OTTA 2,5		0790572	50	
SZS 0,6X3,5		1205053	10	

Accessories			
EB 2-OTTA 2,5	3026065	10	
EB 3-OTTA 2,5	3026078	10	
EB 4-OTTA 2,5	3026081	10	
EB 5-OTTA 2,5	3026094	10	
EB 6-OTTA 2,5	3026104	10	
EB 7-OTTA 2,5	3026117	10	
EB 10-OTTA 2,5	3026120	10	
ATP-OTTA 2,5	0790572	50	
SZS 0,6X3,5	1205053	10	

ZB 8 (see Catalog 5)

ZB 8 (see Catalog 5)

Description	No. of pos.	Color
Terminal block, for mounting on NS 35...		gray
With test socket screws		gray
Ground terminal block, for mounting on NS 35...		green-yellow

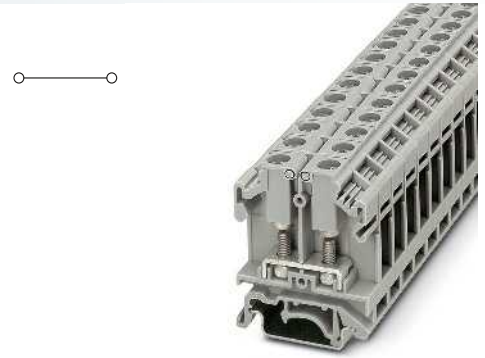
Cover, width 1.5 mm		gray
Insertion bridge		
	2	gray
	3	gray
	4	gray
	5	gray
	6	gray
	7	gray
	10	gray
Partition plate, for visual and electrical separation of terminal groups, 1.5 mm thick		gray
Screwdriver		
Lateral groove labeling		

Modular terminal blocks

OTTA bolt connection terminal blocks

OTTA ... feed-through and ground terminal blocks

- Convenient and fast conductor connection with captive cap nuts
- Safe use, even in applications which are subject to the most stringent requirements regarding shock and vibration
- Space-saving, compact design
- Integrated screw locking



6 (6) mm², 41 A, feed-through terminal block



Dimensions		
	[mm]	
Dimensions		
	[mm]	
Max. electrical data		
Rated data		
Rated voltage	[V]	800
Nominal current / cross section	[A] / [mm ²]	41 / 6
Rated cross section	[mm ²]	6
Cross section range	AWG	26 - 10
Connection capacity, DIN 46234		
Cable lugs, DIN 46234	[mm ²]	0.1 - 6
Connection bolt / hole diameter / width	[mm]	4 / 4.3 / 9.6
Color code		red 1.50 mm ² blue 2.50 mm ² yellow 6.00 mm ²
Connection capacity, DIN 46237		
Cable lugs, DIN 46237	[mm ²]	0.5 - 2.5
Connection bolt / hole diameter / width	[mm]	4 / 4.3 / 9.6
General data		
Screw thread		M4
Tightening torque	[Nm]	1.5 - 1.8
Insulating material		PA
Inflammability class according to UL 94		V0

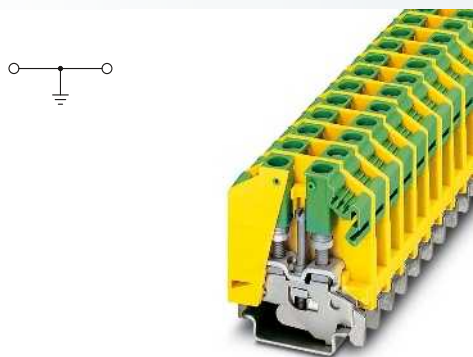
Technical data			
Width	Length	Height NS 35/7,5	
11	43.5	52	
Width	Length	Height NS 32	
11	43.5	57	
I _{max} [A]	U _{max} [V]	max. Ø [mm ²]	AWG
41	800	0.1 - 6	26 - 10
IEC 60947-7-1			
IEC	UL/CUL	CSA	IEC/ EN 60079-7
800	600	600	-
41 / 6	30 / -	30 / -	-
6	-	-	-
26 - 10	-	22-10	-

Description	No. of pos.	Color
Terminal block , for mounting on NS 35...		gray
With test socket screws		gray
Ground terminal block , for mounting on NS 35...		green-yellow
Terminal block , for mounting on NS 35...		gray
With M6 screws		gray

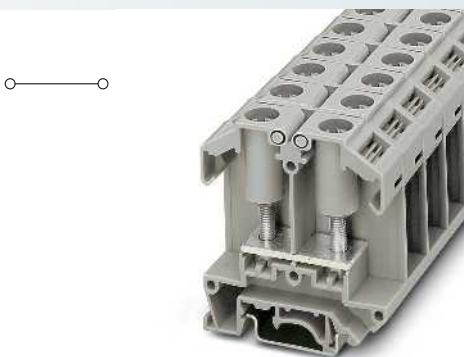
Ordering data			
Type	I _{max}	Order No.	Pcs. / Pkt.
OTTA 6		0790433	50
OTTA 6-P/P		0790404	50

Cover , width 1.5 mm		gray
Cover , width 2 mm		gray
Insertion bridge		
	2	gray
	3	gray
	4	gray
	7	gray
	10	gray
Partition plate , for visual and electrical separation of terminal groups, 1.5 mm thick		gray
Screwdriver		
Lateral groove labeling		

Accessories			
D-OTTA 6		Order No.	Pcs. / Pkt.
D-OTTA 6		0790417	50
EB 2- OTTA 6	41 A	0790608	10
EB 3- OTTA 6	41 A	3026036	10
EB 4- OTTA 6	41 A	3026049	10
EB 7- OTTA 6	41 A	3026052	10
EB 10- OTTA 6	41 A	0790420	10
ATP-OTTA 2,5		0790572	50
SZS 1,0X6,5 VDE		1205079	10
ZB 8 (see Catalog 5)			



6 (6) mm², ground terminal block



25 (25) mm², 101 A, feed-through terminal block



Technical data			
Width	Length	Height NS 35/7,5	
12	43.5	52	
Width	Length	Height NS 32	
12	43.5	57	
		max. Ø [mm ²]	AWG
		0.1 - 6	26 - 10
IEC 60947-7-2			
IEC	UL/CUL	CSA	IEC/EN 60079-7
-	-	-	-
-	- / -	-	-
6	-	-	-
26 - 10	-	22-10	-
0.1 - 6			
4 / 4.3 / 9.6			

Technical data			
Width	Length	Height NS 35/7,5	
18	60	64.5	
Width	Length	Height NS 32	
18	60	69	
		I _{max.} [A]	U _{max.} [V]
		101	800
		max. Ø [mm ²]	AWG
		0.1 - 25	26 - 4
IEC 60947-7-1			
IEC	UL/CUL	CSA	IEC/EN 60079-7
800	600	600	-
101 / 25	115 / -	100 / -	-
25	-	-	-
26 - 4	-	18-4	-
0.1 - 25			
5 / 5.3 / 16			

0.5 - 2.5			
4 / 4.3 / 9.6			
M4			
1.5 - 1.8			
PA			
V0			

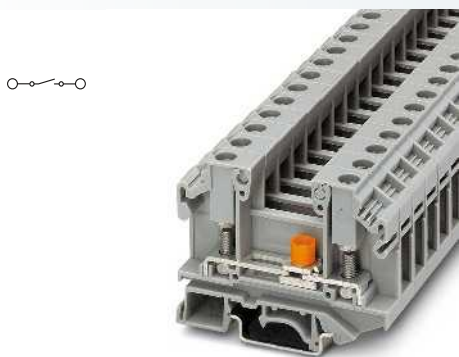
1 - 6			
5 / 5.3 / 16			
M5			
2.5 - 3			
PA			
V2			

Ordering data		
Type	Order No.	Pcs. / Pkt.
OTTA 6-PE	0790527	50

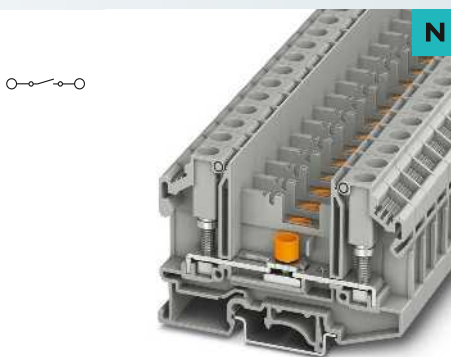
Ordering data		
Type	Order No.	Pcs. / Pkt.
OTTA 25-M5	0790488	50
OTTA 25-M6	0790491	50

Accessories		
EB 2- OTTA 6	0790608	10
EB 3-OTTA 6	3026036	10
EB 4-OTTA 6	3026049	10
EB 7-OTTA 6	3026052	10
EB 10- OTTA 6	0790420	10
SZS 1,0X6,5 VDE	1205079	10
ZB 8 (see Catalog 5)		

Accessories		
D-OTTA 25	0790514	50
ATP-OTTA 25	0790501	50
SZS 1,0X6,5 VDE	1205079	10
ZB 10 (see Catalog 5)		



6 (6) mm², 36 A, test disconnect terminal block, with test socket screws



6 (6) mm², 41 A, test disconnect terminal block, with test socket screws, for accommodating switching jumpers



Technical data			
Width	Length	Height NS 35/7,5	
11	69	52	
Width	Length	Height NS 32	
11	69	57	
I_{max} [A]	U_{max} [V]	max. Ø [mm ²]	AWG
36	800	0.1 - 6	26 - 10
IEC 60947-7-1			
IEC	UL/CUL	CSA	IEC/EN 60079-7
800	600	600	-
36 / 6	30 / -	25 / -	-
6	-	-	-
26 - 10	-	22-10	-

0.1 - 6
4 / 4.3 / 9.6
1.50 mm²
2.50 mm²
6.00 mm²

0.5 - 2.5
4 / 4.3 / 9.6

M4 / 1.5 - 1.8

M4 / 0.6 - 0.8

PA
V0

Ordering data			
Type	I_{max}	Order No.	Pcs. / Pkt.
OTTA 6-T-P/P		0790462	50

Accessories			
D-OTTA 6-T		0790459	50
EB 2- OTTA 6	41 A	0790608	10
EB 3-OTTA 6	41 A	3026036	10
EB 4-OTTA 6	41 A	3026049	10
EB 7-OTTA 6	41 A	3026052	10
EB 10- OTTA 6	41 A	0790420	10
S-OTTA 6-T		0311199	50
SZS 1,0X6,5 VDE		1205079	10
ZB 10 (see Catalog 5)			

Technical data			
Width	Length	Height NS 35/7,5	
11	69	52	
Width	Length	Height NS 32	
11	69	57	
I_{max} [A]	U_{max} [V]	max. Ø [mm ²]	AWG
41	800	0.1 - 6	26 - 10
IEC 60947-7-1			
IEC	UL/CUL	CSA	IEC/EN 60079-7
800	-	-	-
41 / 6	- / -	-	-
6	-	-	-
26 - 10	-	-	-

0.1 - 6
4 / 4.3 / 9.6
1.50 mm²
2.50 mm²
6.00 mm²

0.5 - 2.5
4 / 4.3 / 9.6

M4 / 1.5 - 1.8

M4 / 0.6 - 0.8

PA
V0

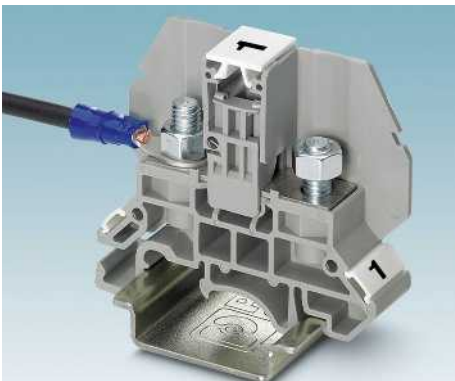
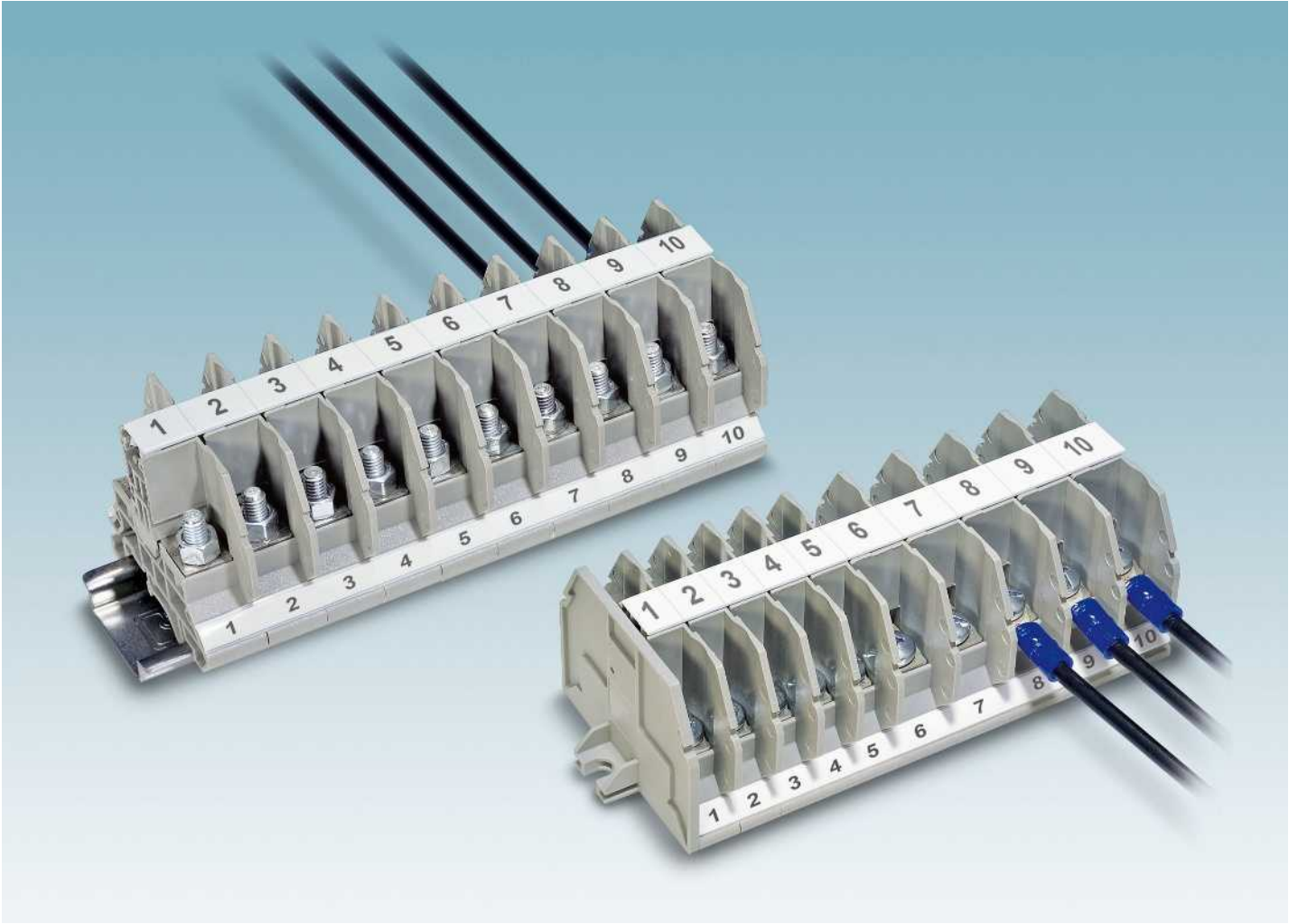
Ordering data			
Type	I_{max}	Order No.	Pcs. / Pkt.
OTTA 6-T/SB-P/P		3001269	50

Accessories			
D-OTTA/RBO-SB		3001355	50
EB 2- OTTA 6	41 A	0790608	10
EB 3-OTTA 6	41 A	3026036	10
EB 4-OTTA 6	41 A	3026049	10
EB 7-OTTA 6	41 A	3026052	10
EB 10- OTTA 6	41 A	0790420	10
USBR 2-11		3001356	50
SZS 1,0X6,5 VDE		1205079	10
ZB 10 (see Catalog 5)			

Modular terminal blocks

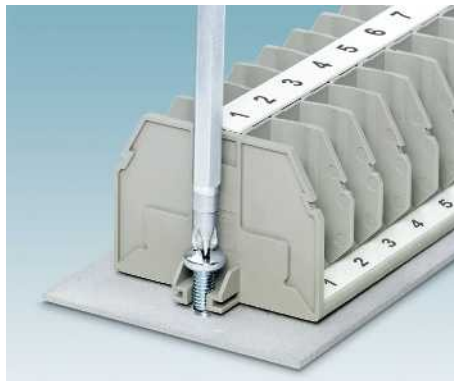
RBO and RSC bolt connection terminal blocks

Bolt connection and screw terminal blocks



Comprehensive range

The RBO product range offers a suitable compact bolt connection terminal block from M5 to M16 for every conductor connection from 0.5 - 300 mm².



Flexible assembly

The bolt connection terminal blocks offer two mounting options:

- Can be snapped onto the conventional EN DIN rails
- Direct mounting on mounting plates



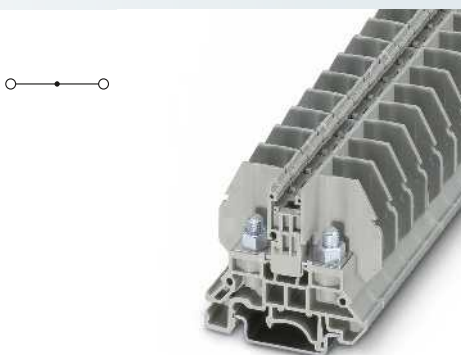
Modular shock protection

Using the extensive range of accessories, modular shock protection can be implemented easily and according to application requirements.

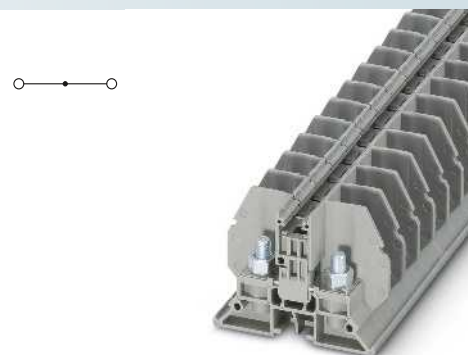
RBO 5... bolt connection terminal blocks, for M5 ring and fork-type cable lugs

- Compact connection with ring and fork-type cable lugs
- Bridge shaft for potential distribution using standard screw bridges
- Bridge bar isolator switching jumper for switchable cross connections
- Mounting on standard DIN rails or directly in control boxes

Notes:
 1) 57 A for continuous bridging, 41 A for bridging between non-adjacent terminal blocks



10 (10) mm², 57 A, feed-through terminal block for DIN rail mounting



10 (10) mm², 57 A, feed-through terminal block, for direct mounting



Technical data				
Width	Length	Height NS 35/7,5		
13	53.3	47		
Width	Length	Height NS 32		
13	53.3	52		
Width	Length	Height		
13	53.3	-		
I _{max} [A]	U _{max} [V]	max. Ø [mm ²]	AWG	
57	800	0.1 - 10	26 - 8	
IEC 60947-7-1				
IEC	UL/CUL	CSA	IEC/EN 60079-7	
Rated voltage	[V]	800	600	-
Nominal current / cross section	[A] / [mm ²]	57 / 10	45 / -	-
Rated cross section	[mm ²]	10	-	-
Cross section range	AWG	26 - 8	-	-
Connection capacity, DIN 46234				
Cable lugs, DIN 46234	[mm ²]	0.1 - 10		
Connection bolt / hole diameter / width	[mm]	5 / 5.3 / 10		
Connection capacity, DIN 46237				
Cable lugs, DIN 46237	[mm ²]	0.5 - 6		
Connection bolt / hole diameter / width	[mm]	5 / 5.3 / 10		
Color code		red	1.00 mm ²	
		blue	2.50 mm ²	
		yellow	6.00 mm ²	
General data				
Bolt thread		M5		
Tightening torque	[Nm]	2 - 2.2		
Insulating material		PA		
Inflammability class according to UL 94		V0		

Ordering data						
Description	No. of pos.	Color	Type	I _{max}	Order No.	Pcs. / Pkt.
Bolt connection terminal block, for mounting on NS 32... or NS 35...		gray	RBO 5		3058059	50
Flange terminal block, for direct mounting, including D-RSC 5-F cover flange		gray				
Flange terminal block, for direct mounting, including D-RSC 5-F cover flange, 4-pos.		gray				
Block, 6-pos.		gray				
Block, 8-pos.		gray				
Block, 12-pos.		gray				

Accessories				
D-RSC 5		3058020		50
FB 10-13	57 A ¹⁾	3059126		10
FB 10-13 ISO	24 A	3059663		10
TS-KK 3		2770215		50
AP RSC		3058017		10
SHN 8		1209868		1

ZB 13 (see Catalog 5)
 ZBF 13 (see Catalog 5)



Technical data				
Width	Length	Height NS 35/7,5		
13	53.3	-		
Width	Length	Height NS 32		
13	53.3	-		
Width	Length	Height		
13	53.3	37		
I _{max} [A]	U _{max} [V]	max. Ø [mm ²]	AWG	
57	800	0.1 - 10	26 - 8	
IEC 60947-7-1				
IEC	UL/CUL	CSA	IEC/EN 60079-7	
Rated voltage	[V]	800	600	-
Nominal current / cross section	[A] / [mm ²]	57 / 10	45 / -	-
Rated cross section	[mm ²]	10	-	-
Cross section range	AWG	26 - 8	-	-
Connection capacity, DIN 46234				
Cable lugs, DIN 46234	[mm ²]	0.1 - 10		
Connection bolt / hole diameter / width	[mm]	5 / 5.3 / 10		
Connection capacity, DIN 46237				
Cable lugs, DIN 46237	[mm ²]	0.5 - 6		
Connection bolt / hole diameter / width	[mm]	5 / 5.3 / 10		
Color code		red	1.00 mm ²	
		blue	2.50 mm ²	
		yellow	6.00 mm ²	
General data				
Bolt thread		M5		
Tightening torque	[Nm]	2 - 2.2		
Insulating material		PA		
Inflammability class according to UL 94		V0		

Ordering data						
Description	No. of pos.	Color	Type	I _{max}	Order No.	Pcs. / Pkt.
Bolt connection terminal block, for mounting on NS 32... or NS 35...		gray	RBO 5		3058059	50
Flange terminal block, for direct mounting, including D-RSC 5-F cover flange		gray	RBO 5-F		3058062	50
Flange terminal block, for direct mounting, including D-RSC 5-F cover flange, 4-pos.		gray	RBO 5-F/4		3058237	1
Block, 6-pos.		gray	RBO 5-F/6		3058240	1
Block, 8-pos.		gray	RBO 5-F/8		3058253	1
Block, 12-pos.		gray	RBO 5-F/12		3059252	1

Accessories				
D-RSC 5-F		3059647		50
FB 10-13	57 A ¹⁾	3059126		10
FB 10-13 ISO	24 A	3059663		10
TS-KK 3		2770215		50
AP RSC		3058017		10
SHN 8		1209868		1

ZB 13 (see Catalog 5)
 ZBF 13 (see Catalog 5)

Ordering data		
Description	No. of pos.	Color
Bolt connection terminal block, for mounting on NS 32... or NS 35...		gray
Flange terminal block, for direct mounting, including D-RSC 5-F cover flange		gray
Flange terminal block, for direct mounting, including D-RSC 5-F cover flange, 4-pos.		gray
Block, 6-pos.		gray
Block, 8-pos.		gray
Block, 12-pos.		gray

Cover, width 2.2 mm		gray
Cover flange		gray
Fixed bridge, insulated	10	silver
Isolator bridge bar, can be separated, with 10 screws		
	10	silver
Separating disk, for separation of neighboring bridges, can be fitted later, no loss of pitch		gray
Cover profile, supply length 1 m		transparent
Socket wrench		

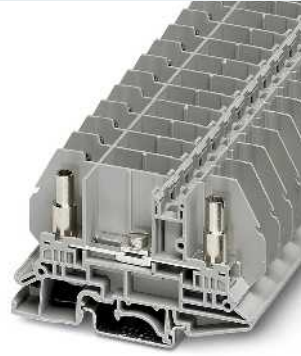
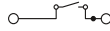
Center groove labeling
 Lateral groove labeling

Modular terminal blocks

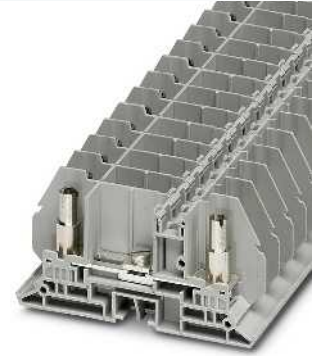
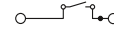
RBO and RSC bolt connection terminal blocks

RBO 5-T... test disconnect terminal block with bolt connection, for M5 ring and fork-type cable lugs

- Connection screws with 4 mm test connection
- Compact connection with ring and fork-type cable lugs
- Bridge shaft for potential distribution using standard screw bridges
- Bridge bar isolator switching jumper for switchable cross connections
- Mounting on standard DIN rails or directly in control boxes



10 (10) mm², 50 A, test disconnect terminal block



10 (10) mm², 50 A, test disconnect terminal block, for direct mounting

Notes:
1) 57 A for continuous bridging, 41 A for bridging between non-adjacent terminal blocks
2) Rated voltage for 630 V open disconnect point

Dimensions	
Dimensions	[mm]
Dimensions	[mm]
Dimensions	[mm]
Max. electrical data	
Rated data	
Rated voltage	[V]
Nominal current / cross section	[A] / [mm ²]
Rated cross section	[mm ²]
Cross section range	AWG
Connection capacity, DIN 46234	
Cable lugs, DIN 46234	[mm ²]
Connection bolt / hole diameter / width	[mm]
Connection capacity, DIN 46237	
Cable lugs, DIN 46237	[mm ²]
Connection bolt / hole diameter / width	[mm]
Color code	
General data	
Disconnect slide: thread / torque	- / [Nm]
Bolt thread	M5
Tightening torque	[Nm]
Insulating material	PA
Inflammability class according to UL 94	V0

Technical data				
Width	Length	Height NS 35/7,5		
13	79.9	47		
Width	Length	Height NS 32		
13	79.9	52		
Width	Length	Height		
13	79.9	-		
I _{max} [A]	U _{max} [V]	max. Ø [mm ²]	AWG	
50	800 ²⁾	0.1 - 10	26 - 8	
IEC 60947-7-1				
IEC	UL/CUL	CSA	IEC/EN 60079-7	
Rated voltage	600	-	-	
Nominal current / cross section	50 / 10	45 / -	-	
Rated cross section	10	-	-	
Cross section range	26 - 8	-	-	
Connection capacity, DIN 46234				
Cable lugs, DIN 46234	0.1 - 10			
Connection bolt / hole diameter / width	5 / 5.3 / 10			
Connection capacity, DIN 46237				
Cable lugs, DIN 46237	0.5 - 6			
Connection bolt / hole diameter / width	5 / 5.3 / 10			
Color code	red	1.00 mm ²		
	blue	2.50 mm ²		
	yellow	6.00 mm ²		
General data				
Disconnect slide: thread / torque	- / [Nm]	M4 / 1.2 - 1.4		
Bolt thread	M5			
Tightening torque	[Nm]	2 - 2.2		
Insulating material	PA			
Inflammability class according to UL 94	V0			

Technical data				
Width	Length	Height NS 35/7,5		
13	79.9	-		
Width	Length	Height NS 32		
13	79.9	-		
Width	Length	Height		
13	79.9	39.7		
I _{max} [A]	U _{max} [V]	max. Ø [mm ²]	AWG	
50	800 ²⁾	0.1 - 10	26 - 8	
IEC 60947-7-1				
IEC	UL/CUL	CSA	IEC/EN 60079-7	
Rated voltage	600	-	-	
Nominal current / cross section	50 / 10	45 / -	-	
Rated cross section	10	-	-	
Cross section range	26 - 8	-	-	
Connection capacity, DIN 46234				
Cable lugs, DIN 46234	0.1 - 10			
Connection bolt / hole diameter / width	5 / 5.3 / 10			
Connection capacity, DIN 46237				
Cable lugs, DIN 46237	0.5 - 6			
Connection bolt / hole diameter / width	5 / 5.3 / 10			
Color code	red	1.00 mm ²		
	blue	2.50 mm ²		
	yellow	6.00 mm ²		
General data				
Disconnect slide: thread / torque	- / [Nm]	M4 / 1.2 - 1.4		
Bolt thread	M5			
Tightening torque	[Nm]	2 - 2.2		
Insulating material	PA			
Inflammability class according to UL 94	V0			

Description	No. of pos.	Color
Test disconnect terminal block, for mounting on NS 32... or NS 35...		gray
Test disconnect terminal block, with flange, for direct mounting		gray

Ordering data			
Type	I _{max}	Order No.	Pcs. / Pkt.
RBO 5-T		3058114	50
RBO 5-T-F		3058169	50

Ordering data			
Type	I _{max}	Order No.	Pcs. / Pkt.
RBO 5-T		3058114	50
RBO 5-T-F		3058169	50

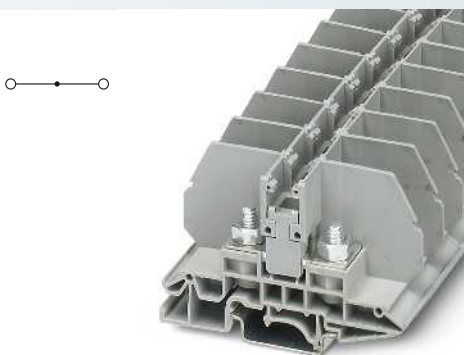
Accessories		
Cover, width 2.2 mm	gray	
Fixed bridge, insulated		
Isolator bridge bar, can be separated, with 10 screws	10	silver
Separating disk, for separation of neighboring bridges, can be fitted later, no loss of pitch	10	silver
Cover profile, supply length 1 m	transparent	
Screwdriver		
Center groove labeling		
Lateral groove labeling		

Accessories			
Type	I _{max}	Order No.	Pcs. / Pkt.
D-RSC 5-T		3058046	50
FB 10-13	57 A ¹⁾	3059126	10
FB 10-13 ISO	24 A	3059663	10
TS-KK 3		2770215	50
AP RSC-T		3059139	10
SZG 0,9X6,5 VDE		1205134	10
ZB 13 (see Catalog 5)			
ZBF 13 (see Catalog 5)			

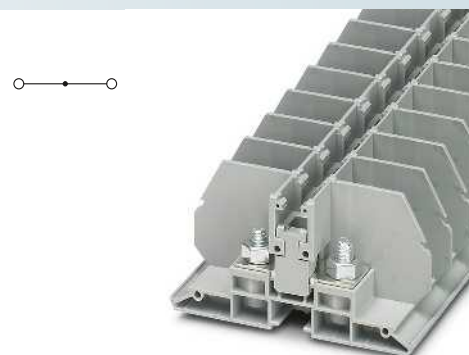
Accessories			
Type	I _{max}	Order No.	Pcs. / Pkt.
D-RSC 5-T-F		3059346	50
FB 10-13	57 A ¹⁾	3059126	10
FB 10-13 ISO	24 A	3059663	10
TS-KK 3		2770215	50
AP RSC-T		3059139	10
SZG 0,9X6,5 VDE		1205134	10
ZB 13 (see Catalog 5)			
ZBF 13 (see Catalog 5)			

RBO 6... bolt connection terminal blocks, for M6 ring and fork-type cable lugs

- Compact connection with ring and fork-type cable lugs
- Bridge shaft for potential distribution using standard screw bridges
- Bridge bar isolator switching jumper for switchable cross connections
- Mounting on standard DIN rails or directly in control boxes



35 (35) mm², 125 A, feed-through terminal block for DIN rail mounting



35 (35) mm², 125 A, feed-through terminal block, for direct mounting



Technical data					
Dimensions	Width	Length	Height NS 35/7,5		
	17	80.8	49.8		
Dimensions	Width	Length	Height NS 32		
	17	80.8	54.8		
Dimensions	Width	Length	Height		
	17	80.8	-		
Max. electrical data	I _{max.} [A]	U _{max.} [V]	max. Ø [mm ²]	AWG	
	125	800	2.5 - 35	12 - 2	
Rated data	IEC 60947-7-1				
	IEC	UL/CUL	CSA	IEC/EN 60079-7	
	Rated voltage	800	600	-	-
	Nominal current / cross section	125 / 35	115 / -	-	-
	Rated cross section	35	-	-	-
Cross section range	AWG	12 - 2	-	-	
Connection capacity, DIN 46234					
Cable lugs, DIN 46234	[mm ²]	6 - 35			
Connection bolt / hole diameter / width	[mm]	6 / 6.5 / 15			
Connection capacity, DIN 46237					
Cable lugs, DIN 46237	[mm ²]	2.5 - 6			
Connection bolt / hole diameter / width	[mm]	6 / 6.5 / 11			
	blue	2.50 mm ²			
	yellow	6.00 mm ²			
General data					
Bolt thread	M6				
Tightening torque	[Nm]	3.2 - 3.7			
Insulating material	PA				
Inflammability class according to UL 94	V0				



Technical data					
Dimensions	Width	Length	Height NS 35/7,5		
	17	80.8	-		
Dimensions	Width	Length	Height NS 32		
	17	80.8	-		
Dimensions	Width	Length	Height		
	17	80.8	39.7		
Max. electrical data	I _{max.} [A]	U _{max.} [V]	max. Ø [mm ²]	AWG	
	125	800	2.5 - 35	12 - 2	
Rated data	IEC 60947-7-1				
	IEC	UL/CUL	CSA	IEC/EN 60079-7	
	Rated voltage	800	600	-	-
	Nominal current / cross section	125 / 35	115 / -	-	-
	Rated cross section	35	-	-	-
Cross section range	AWG	12 - 2	-	-	
Connection capacity, DIN 46234					
Cable lugs, DIN 46234	[mm ²]	6 - 35			
Connection bolt / hole diameter / width	[mm]	6 / 6.5 / 15			
Connection capacity, DIN 46237					
Cable lugs, DIN 46237	[mm ²]	2.5 - 6			
Connection bolt / hole diameter / width	[mm]	6 / 6.5 / 11			
	blue	2.50 mm ²			
	yellow	6.00 mm ²			
General data					
Bolt thread	M6				
Tightening torque	[Nm]	3.2 - 3.7			
Insulating material	PA				
Inflammability class according to UL 94	V0				

Ordering data			
Type	I _{max.}	Order No.	Pcs. / Pkt.
RBO 6		3075896	40

Ordering data			
Type	I _{max.}	Order No.	Pcs. / Pkt.
RBO 6-F		3075935	40

Accessories			
Type	I _{max.}	Order No.	Pcs. / Pkt.
D-RSC 6		3213098	50
FB 10-17	57 A	3075951	10
FB 10-17 ISO	57 A	3213085	10
TS-KK 3		2770215	50
AP RSC-T		3059139	10

Accessories			
Type	I _{max.}	Order No.	Pcs. / Pkt.
D-RSC 6-F		3213108	50
FB 10-17	57 A	3075951	10
FB 10-17 ISO	57 A	3213085	10
TS-KK 3		2770215	50
AP RSC-T		3059139	10

ZB 17 (see Catalog 5)
ZBF 17 (see Catalog 5)

ZB 17 (see Catalog 5)
ZBF 17 (see Catalog 5)

Dimensions	[mm]	
Dimensions	[mm]	
Dimensions	[mm]	
Max. electrical data		
Rated data		
Rated voltage	[V]	800
Nominal current / cross section	[A] / [mm ²]	125 / 35
Rated cross section	[mm ²]	35
Cross section range	AWG	12 - 2
Connection capacity, DIN 46234		
Cable lugs, DIN 46234	[mm ²]	6 - 35
Connection bolt / hole diameter / width	[mm]	6 / 6.5 / 15
Connection capacity, DIN 46237		
Cable lugs, DIN 46237	[mm ²]	2.5 - 6
Connection bolt / hole diameter / width	[mm]	6 / 6.5 / 11
	blue	2.50 mm ²
	yellow	6.00 mm ²
General data		
Bolt thread		M6
Tightening torque	[Nm]	3.2 - 3.7
Insulating material		PA
Inflammability class according to UL 94		V0
Description	No. of pos.	Color
Bolt connection terminal block, for mounting on NS 32... or NS 35...		gray
Flange terminal block, for direct mounting, including cover flange D-RSC 6-F		gray
Cover, width 2.2 mm		gray
Cover flange		gray
Fixed bridge, insulated	10	silver
Isolator bridge bar, can be separated, with 10 screws		
	10	silver
Separating disk, for separation of neighboring bridges, can be fitted later, no loss of pitch		gray
Cover profile, supply length 1 m		transparent
Center groove labeling		
Lateral groove labeling		

Modular terminal blocks

RBO and RSC bolt connection terminal blocks

RBO bolt connection terminal blocks, open, for ring and fork-type cable lugs



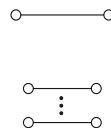
- Optional snap-on finger protection
- Compact connection with ring and fork-type cable lugs
- Potential distribution with connection rails
- The covering hoods for the RBO 10, RBO 12, and RBO 16 bolt terminal blocks can be sealed to prevent unauthorized opening. The lugs that can be snapped on for this purpose are supplied as standard with the covering hoods.
- The RBO 10, RBO 12, and RBO 16 have a 4 mm test connection at the center of the terminal block

Mounting options

- Mounting either on standard mounting rails or directly in switch boxes, see figure below



Notes:
For corresponding test plugs, see the following page.



70 (70) mm², 192 A, feed-through terminal block, for DIN rail and direct mounting



Dimensions		[mm]	
Max. electrical data			
Rated data			
Rated voltage	[V]	1000	600
Nominal current / cross section	[A] / [mm ²]	192 / 70	175 / -
Rated cross section	[mm ²]	70	-
Cross section range	AWG	8 - 2/0	-
Connection capacity, DIN 46234			
Cable lugs, DIN 46234	[mm ²]	2.5 - 70	
Connection bolt / hole diameter / width	[mm]	8 / 8.4 / 22	
Connection capacity, DIN 46235			
Cable lugs, DIN 46235	[mm ²]	16 - 70	
Connection bolt / hole diameter / width	[mm]	8 / 8.4 / 24	
Connection capacity, DIN 46237			
Cable lugs, DIN 46237	[mm ²]	2.5 - 6	
Connection bolt / hole diameter / width	[mm]	8 / 8.4 / 14	
	blue	2.50 mm ²	
	yellow	6.00 mm ²	
General data			
Bolt thread		M8	
Tightening torque	[Nm]	6 - 12	
Insulating material		PA	
Inflammability class according to UL 94		V0	

Technical data			
Width	Length	Height NS 35/15	
29	136	74.5	
I _{max} [A]	U _{max} [V]	max. Ø [mm ²]	AWG
192	1000	6 - 70	8 - 2/0
IEC 60947-7-1			
IEC	UL/CUL	CSA	IEC/EN 60079-7

Description	No. of pos.	Color
Bolt connection terminal block , for direct mounting or mounting on NS 35/15		gray
		blue
		black/yellow
Block, 3-pos., (3 x gray)		gray
Block, 4-pos., (3 x gray, 1 x blue)		gray/blue
Block, 4-pos., (3 x gray, 1 x black-yellow)		gray/black-yellow
Block, 5-pos., (3 x gray, 1 x blue, 1 x black-yellow)		gray/blue/black-yellow

Ordering data			
Type	I _{max}	Order No.	Pcs. / Pkt.
RBO 8		3213137	10
RBO 8 BU		3213136	10
RBO 8-FE		3213139	10
RBO 8-3L		3076206	2
RBO 8-3L/N		3076248	2
RBO 8-3L/FE		3076124	2
RBO 8-3L/N/FE		3076280	2

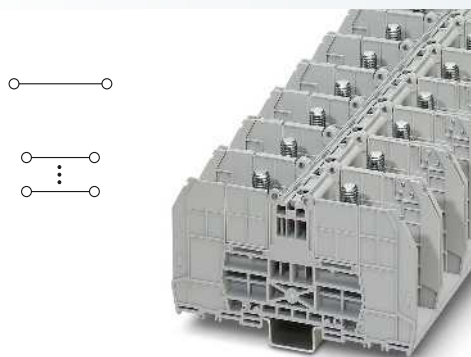
Accessories		
Connection rail , for cross connection of high-current plugs	2	silver
	3	silver
Covering hood , as retrofit snap-on shock protection for cable lug connection		gray
		blue
		black/yellow
Aluminum end bracket , for screwing on, for end support of 50 - 300 mm ² terminal blocks, can be labeled with ZB 10, for mounting on NS 35...		silver
Terminal strip marker , adjustable height, for end clamp CLIPFIX ..., can be labeled with EML (20x8) label or directly with B-STIFT or X-PEN		gray

Type	I _{max}	Order No.	Pcs. / Pkt.
RBO 8-VS 2	192 A	3213179	10
RBO 8-VS 3	192 A	3213182	10
HC-RBO 8		3247967	10
HC-RBO 8 BU		3247969	10
HC-RBO 8-FE		3247968	10
E/AL-NS 35		1201662	10

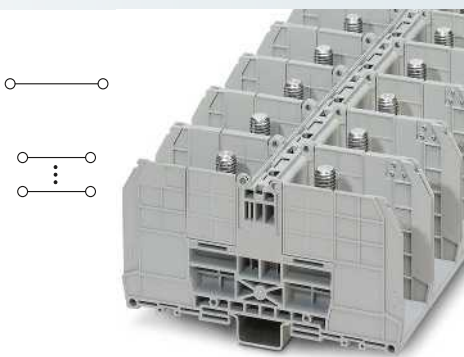
Center groove labeling

UC-TM 12, UCT-TM 12 or ZB 12
(see Catalog 5)

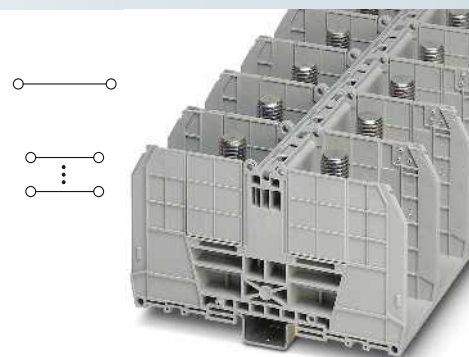
RBO and RSC bolt connection terminal blocks



150 (150) mm², 309 A, feed-through terminal block, for DIN rail and direct mounting



240 (240) mm², 415 A, feed-through terminal block, for DIN rail and direct mounting



300 (300) mm², 520 A, feed-through terminal block, for DIN rail and direct mounting



Technical data			
Width	Length	Height NS 35/15	
41	144	84.5	
I_{max} [A]	U_{max} [V]	max. Ø [mm ²]	AWG
309	1000	6 - 150	10 - 300
IEC 60947-7-1			
IEC	UL/CUL	CSA	IEC/EN 60079-7
1000	1000	-	-
309 / 150	310 / -	-	-
150	-	-	-
10 - 300	10-350	-	-
6 - 150			
10 / 10.5 / 30			
16 - 150			
10 / 10.5 / 34			
6 - 6			
10 / 10.5 / 18			
6.00 mm ²			
M10			
10 - 20			
PA			
V0			

Technical data			
Width	Length	Height NS 35/15	
49	164	90.8	
I_{max} [A]	U_{max} [V]	max. Ø [mm ²]	AWG
415	1000	10 - 240	8 - 500
IEC 60947-7-1			
IEC	UL/CUL	CSA	IEC/EN 60079-7
1000	1000	-	-
415 / 240	420 / -	-	-
240	-	-	-
8 - 500	8-600	-	-
10 - 240			
12 / 13 / 38			
25 - 240			
12 / 13 / 42			
-			
- / - / -			
M12			
14 - 30			
PA			
V0			

Technical data			
Width	Length	Height NS 35/15	
54.8	164	99.3	
I_{max} [A]	U_{max} [V]	max. Ø [mm ²]	AWG
520	1000	25 - 300	4 - 600
IEC 60947-7-1			
IEC	UL/CUL	CSA	IEC/EN 60079-7
1000	1000	-	-
520 / 300	540 / -	-	-
300	-	-	-
4 - 600	4-1000	-	-
25 - 240			
16 / 17 / 38			
50 - 300			
16 / 17 / 48			
-			
- / - / -			
M16			
25 - 35			
PA			
V0			

Ordering data			
Type	I_{max}	Order No.	Pcs. / Pkt.
RBO 10		3244614	10
RBO 10 BU		3244616	10
RBO 10-FE		3244615	10
RBO 10-3L		3076219	2
RBO 10-3L/N		3076251	2
RBO 10-3L/FE		3076137	2
RBO 10-3L/N/FE		3076293	2

Ordering data			
Type	I_{max}	Order No.	Pcs. / Pkt.
RBO 12		3244627	10
RBO 12 BU		3244629	10
RBO 12-FE		3244628	10
RBO 12-3L		3076222	1
RBO 12-3L/N		3076264	1
RBO 12-3L/FE		3076140	1
RBO 12-3L/N/FE		3076303	1

Ordering data			
Type	I_{max}	Order No.	Pcs. / Pkt.
RBO 16		3244630	5
RBO 16 BU		3244632	5
RBO 16-FE		3244631	5
RBO 16-3L		3076235	1
RBO 16-3L/N		3076277	1
RBO 16-3L/FE		3076153	1
RBO 16-3L/N/FE		3076316	1

Accessories			
Type	I_{max}	Order No.	Pcs. / Pkt.
RBO 10-VS 2	309 A	3244643	10
RBO 10-VS 3	309 A	3244656	10
HC-RBO 10		3247970	6
HC-RBO 10 BU		3247972	6
HC-RBO 10-FE		3247971	6
E/AL-NS 35		1201662	10
KLM 3-L		0814788	100

Accessories			
Type	I_{max}	Order No.	Pcs. / Pkt.
RBO 12-VS 2	415 A	3244669	10
RBO 12-VS 3	415 A	3244672	10
HC-RBO 12		3247983	6
HC-RBO 12 BU		3247985	6
HC-RBO 12-FE		3247984	6
E/AL-NS 35		1201662	10
KLM 3-L		0814788	100

Accessories			
Type	I_{max}	Order No.	Pcs. / Pkt.
RBO 16-VS 2	520 A	3244685	10
RBO 16-VS 3	520 A	3244698	10
HC-RBO 16		3247996	6
HC-RBO 16 BU		3247998	6
HC-RBO 16-FE		3247997	6
E/AL-NS 35		1201662	10
KLM 3-L		0814788	100

UC-TM 12, UCT-TM 12 or ZB 12
(see Catalog 5)

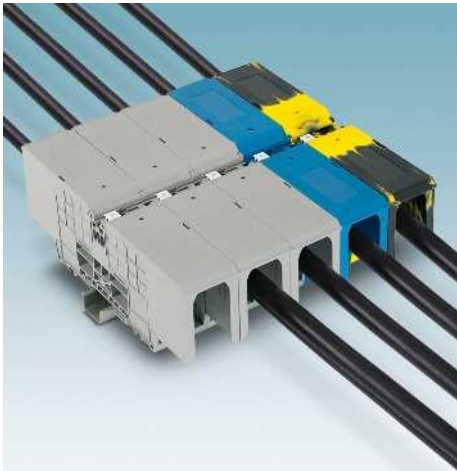
UC-TM 12, UCT-TM 12 or ZB 12
(see Catalog 5)

UC-TM 12, UCT-TM 12 or ZB 12
(see Catalog 5)

Modular terminal blocks

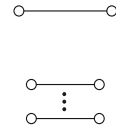
RBO and RSC bolt connection terminal blocks

RBO bolt connection terminal blocks with covering hoods, for ring and fork-type cable lugs



- With protective covers
- Compact connection with ring and fork-type cable lugs
- Potential distribution with connection rails
- The covering hoods for the RBO 10, RBO 12, and RBO 16 bolt terminal blocks can be sealed to prevent unauthorized opening. The lugs that can be snapped on for this purpose are supplied as standard.
- The RBO 10, RBO 12, and RBO 16 have a 4 mm test connection at the center of the terminal block
- The covering hoods can be custom-labeled using the following labels:
0817028 EML (51X25)R
0817031 EML (51X25)R YE
0817002 EML (51X25)R SR

Notes:
1) Cable lug must be insulated with shrink sleeve.



70 (70) mm², 192 A, feed-through terminal block, for DIN rail and direct mounting



Dimensions		[mm]	
Max. electrical data			
Rated data			
Rated voltage	[V]	1500 ¹⁾	600
Nominal current / cross section	[A] / [mm ²]	192 / 70	175 / -
Rated cross section	[mm ²]	70	-
Cross section range	AWG	8 - 2/0	-
Connection capacity, DIN 46234			
Cable lugs, DIN 46234	[mm ²]	2.5 - 70	
Connection bolt / hole diameter / width	[mm]	8 / 8.4 / 22	
Connection capacity, DIN 46235			
Cable lugs, DIN 46235	[mm ²]	16 - 70	
Connection bolt / hole diameter / width	[mm]	8 / 8.4 / 24	
Connection capacity, DIN 46237			
Cable lugs, DIN 46237	[mm ²]	2.5 - 6	
Connection bolt / hole diameter / width	[mm]	8 / 8.4 / 14	
	blue	2.50 mm ²	
	yellow	6.00 mm ²	
General data			
Bolt thread		M8	
Tightening torque	[Nm]	6 - 12	
Insulating material		PA	
Inflammability class according to UL 94		V0	

Technical data				
Width	Length	Height NS 35/15		
29	184	74.5		
I _{max} [A]	U _{max} [V]	max. Ø [mm ²]	AWG	
192	1500 ¹⁾	6 - 70	8 - 2/0	
IEC 60947-7-1				
IEC	UL/CUL	CSA	IEC/EN 60079-7	

Description	No. of pos.	Color
Bolt connection terminal blocks, with covering hood, for direct mounting or mounting on NS 35/15		gray
		blue
		black/yellow
Block, 3-pos., (3 x gray)		gray
Block, 4-pos., (3 x gray, 1 x blue)		gray/blue
Block, 4-pos., (3 x gray, 1 x black-yellow)		gray/black-yellow
Block, 5-pos., (3 x gray, 1 x blue, 1 x black-yellow)		gray/blue/black-yellow

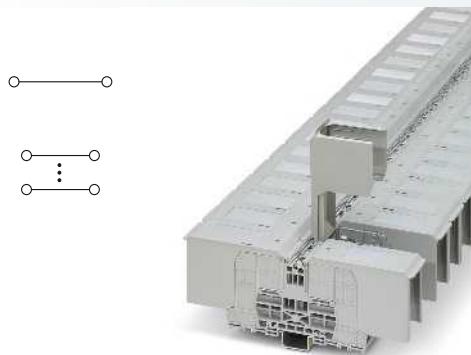
Ordering data			
Type	I _{max}	Order No.	Pcs. / Pkt.
RBO 8-HC		3247973	10
RBO 8-HC BU		3247974	10
RBO 8-FE-HC		3247975	10
RBO 8-3L-HC		3076044	2
RBO 8-3L/N-HC		3076086	2
RBO 8-3L/FE-HC		3076125	2
RBO 8-3L/N/FE-HC		3076167	2



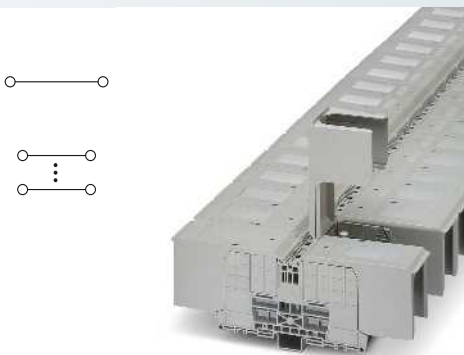
Connection rail, for cross connection of high-current plugs	2	silver
	3	silver
Aluminum end bracket, for screwing on, for end support of 50 - 300 mm² terminal blocks, can be labeled with ZB 10, for mounting on NS 35...		silver
Terminal strip marker, adjustable height, for end clamp CLIPFIX ..., can be labeled with EML (20x8) label or directly with B-STIFT or X-PEN		gray
Test plug, consisting of: metal part for 4 mm Ø socket hole		
And		
Insulating sleeve for PS metal part		red
Center groove labeling		

Accessories			
RBO 8-VS 2	192 A	3213179	10
RBO 8-VS 3	192 A	3213182	10
E/AL-NS 35		1201662	10
UC-TM 12, UCT-TM 12 or ZB 12 (see Catalog 5)			

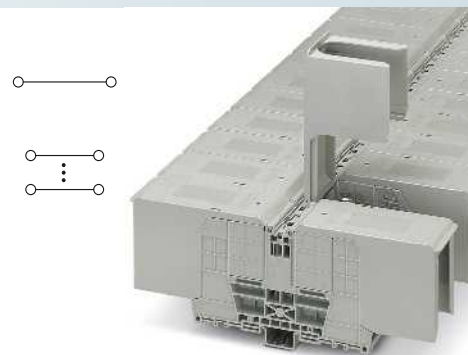
RBO and RSC bolt connection terminal blocks



150 (150) mm², 309 A, feed-through terminal block, for DIN rail and direct mounting



240 (240) mm², 415 A, feed-through terminal block, for DIN rail and direct mounting



300 (300) mm², 520 A, feed-through terminal block, for DIN rail and direct mounting



Technical data			
Width	Length	Height NS 35/15	
41	235	84.5	
I_{max} [A]	U_{max} [V]	max. Ø [mm ²]	AWG
309	1500 ¹⁾	6 - 150	10 - 300
IEC 60947-7-1			
IEC	UL/CUL	CSA	IEC/EN 60079-7
1500 ¹⁾	1000	-	-
309 / 150	310 / -	-	-
150	-	-	-
10 - 300	10-350	-	-
6 - 150			
10 / 10.5 / 30			
16 - 150			
10 / 10.5 / 34			
6 - 6			
10 / 10.5 / 18			
6.00 mm ²			
M10			
10 - 20			
PA			
V0			



Technical data			
Width	Length	Height NS 35/15	
49	265	90.8	
I_{max} [A]	U_{max} [V]	max. Ø [mm ²]	AWG
415	1500 ¹⁾	10 - 240	8 - 500
IEC 60947-7-1			
IEC	UL/CUL	CSA	IEC/EN 60079-7
1500 ¹⁾	600	-	-
415 / 240	420 / -	-	-
240	-	-	-
8 - 500	8-600	-	-
10 - 240			
12 / 13 / 38			
25 - 240			
12 / 13 / 42			
-			
- / - / -			
M12			
14 - 30			
PA			
V0			



Technical data			
Width	Length	Height NS 35/15	
54.8	283.5	99.3	
I_{max} [A]	U_{max} [V]	max. Ø [mm ²]	AWG
520	1500 ¹⁾	25 - 300	4 - 600
IEC 60947-7-1			
IEC	UL/CUL	CSA	IEC/EN 60079-7
1500 ¹⁾	1000	-	-
520 / 300	540 / -	-	-
300	-	-	-
4 - 600	4-1000	-	-
25 - 240			
16 / 17 / 38			
50 - 300			
16 / 17 / 48			
-			
- / - / -			
M16			
25 - 35			
PA			
V0			

Ordering data			
Type	I_{max}	Order No.	Pcs. / Pkt.
RBO 10-HC		3247976	10
RBO 10-HC BU		3247977	10
RBO 10-FE-HC		3247978	10
RBO 10-3L-HC		3076057	2
RBO 10-3L/N-HC		3076099	2
RBO 10-3L/FE-HC		3076138	2
RBO 10-3L/N/FE-HC		3076170	2

Ordering data			
Type	I_{max}	Order No.	Pcs. / Pkt.
RBO 12-HC		3247986	10
RBO 12-HC BU		3247987	10
RBO 12-FE-HC		3247988	10
RBO 12-3L-HC		3076060	1
RBO 12-3L/N-HC		3076109	1
RBO 12-3L/FE-HC		3076141	1
RBO 12-3L/N/FE-HC		3076183	1

Ordering data			
Type	I_{max}	Order No.	Pcs. / Pkt.
RBO 16-HC		3247989	5
RBO 16-HC BU		3247990	5
RBO 16-FE-HC		3247991	5
RBO 16-3L-HC		3076073	1
RBO 16-3L/N-HC		3076112	1
RBO 16-3L/FE-HC		3076154	1
RBO 16-3L/N/FE-HC		3076196	1

Accessories			
RBO 10-VS 2	309 A	3244643	10
RBO 10-VS 3	309 A	3244656	10
E/AL-NS 35		1201662	10
KLM 3-L		0814788	100
PS-MT		0311647	10
PS-IH RD		0311579	10

Accessories			
RBO 12-VS 2	415 A	3244669	10
RBO 12-VS 3	415 A	3244672	10
E/AL-NS 35		1201662	10
KLM 3-L		0814788	100
PS-MT		0311647	10
PS-IH RD		0311579	10

Accessories			
RBO 16-VS 2	520 A	3244685	10
RBO 16-VS 3	520 A	3244698	10
E/AL-NS 35		1201662	10
KLM 3-L		0814788	100
PS-MT		0311647	10
PS-IH RD		0311579	10

UC-TM 12, UCT-TM 12 or ZB 12 (see Catalog 5)

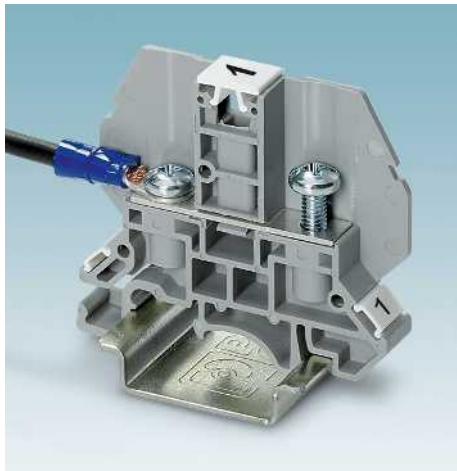
UC-TM 12, UCT-TM 12 or ZB 12 (see Catalog 5)

UC-TM 12, UCT-TM 12 or ZB 12 (see Catalog 5)

Modular terminal blocks

RBO and RSC bolt connection terminal blocks

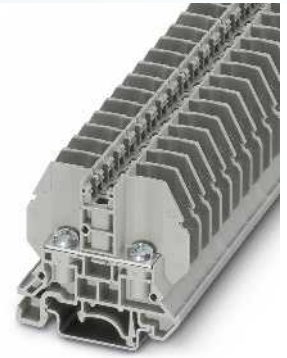
RSC ... screw terminal blocks, for M4 and M5 ring and fork-type cable lugs



- Compact screw connection of ring and fork-type cable lugs
- Bridge shaft for potential distribution using standard screw bridges
- The isolator bridge bar supports switchable cross connections; the bridge screw therefore has the function of a live contact
- Mounting on standard DIN rails or directly in control boxes
- Cover profile that can be snapped directly onto the terminal blocks provides touch-proof protection
- Large-surface, seamless external and center labeling
- Screw nuts and current bars are latched in the insulating housing and cannot be removed



Notes:
1) 57 A for continuous bridging, 41 A for bridging between non-adjacent terminal blocks
2) Rated voltage for 630 V open disconnect point



4 (6) mm², 32 A, feed-through terminal block



Dimensions		[mm]	
Dimensions			
Dimensions			
Dimensions			
Max. electrical data			
Rated data			
Rated voltage	[V]	800	600
Nominal current / cross section	[A] / [mm ²]	32 / 4	30 / -
Rated cross section	[mm ²]	4	-
Cross section range	AWG	26 - 10	-
Connection capacity, DIN 46234			
Cable lugs, DIN 46234	[mm ²]	0.1 - 6	
Connection bolt / hole diameter / width	[mm]	4 / 4.3 / 8	
Connection capacity, DIN 46237			
Cable lugs, DIN 46237	[mm ²]	0.5 - 2.5	
Connection bolt / hole diameter / width	[mm]	4 / 4.3 / 8	
Color code		red blue yellow	
General data			
Bolt thread		M4	
Tightening torque	[Nm]	1.2 - 1.4	
Insulating material		PA	
Inflammability class according to UL 94		V0	

Technical data			
Width	Length	Height NS 35/7,5	
9	53.3	47.1	
Width	Length	Height NS 32	
9	53.3	52.1	
Width	Length	Height	
9	53.3	-	
I _{max} [A]	U _{max} [V]	max. Ø [mm ²]	AWG
32	800	0.1 - 6	26 - 10
IEC 60947-7-1			
IEC	UL/CUL	CSA	IEC/EN 60079-7

Description	No. of pos.	Color
Bolt connection terminal block , for mounting on NS 32... or NS 35...		gray
Bolt connection/flange terminal block , for direct mounting		gray
Block, 4-pos.		gray
Block, 6-pos.		gray
Block, 8-pos.		gray
Block, 12-pos.		gray

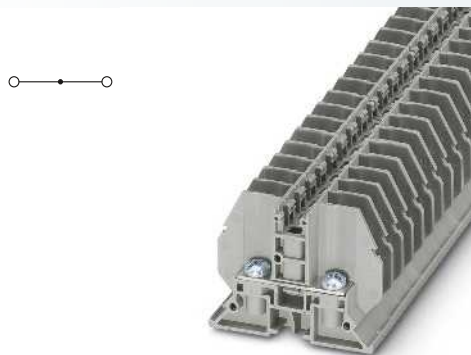
Cover , width 2.2 mm		gray
Fixed bridge , insulated		silver
Isolator bridge bar , can be separated, with 10 screws	10	silver
Separating disk , for separation of neighboring bridges, can be fitted later, no loss of pitch	10	gray
Cover profile , supply length 1 m		transparent
Screwdriver		

Center groove labeling	
Lateral groove labeling	

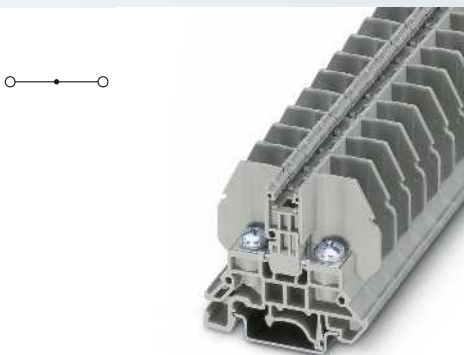
Ordering data			
Type	I _{max}	Order No.	Pcs. / Pkt.
RSC 4		3058127	50

Accessories			
D-RSC 5		3058020	50
FB 10-9	32 A	3059113	10
FB 10-9 ISO	24 A	3059650	10
TS-KK 3		2770215	50
AP RSC		3058017	10
SZS 1,0X6,5 VDE		1205079	10
SZK PH2 VDE		1205163	10

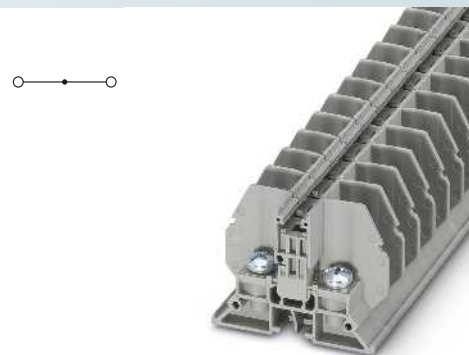
ZB 9 (see Catalog 5)
ZBF 9 (see Catalog 5)



4 (6) mm², 32 A, feed-through terminal block, for direct mounting



10 (10) mm², 57 A, feed-through terminal block, for direct mounting



10 (10) mm², 57 A, feed-through terminal block, for direct mounting



Technical data			
Width	Length	Height NS 35/7,5	
9	53.3	-	
Width	Length	Height NS 32	
9	53.3	-	
Width	Length	Height	
9	53.3	37	
I_{max} [A]	U_{max} [V]	max. Ø [mm ²]	AWG
32	800 ²⁾	0.1 - 6	26 - 10
IEC 60947-7-1	UL/CUL	CSA	IEC/EN 60079-7
800 ²⁾	600	-	-
32 / 4	30 / -	-	-
4	-	-	-
26 - 10	-	-	-
0.1 - 6			
4 / 4.3 / 8			
0.5 - 2.5			
4 / 4.3 / 8			
1.00 mm ²			
2.50 mm ²			
M4			
1.2 - 1.4			
PA			
V0			

Technical data			
Width	Length	Height NS 35/7,5	
13	53.3	47.1	
Width	Length	Height NS 32	
13	53.3	52.1	
Width	Length	Height	
13	53.3	-	
I_{max} [A]	U_{max} [V]	max. Ø [mm ²]	AWG
57	800	0.1 - 10	26 - 8
IEC 60947-7-1	UL/CUL	CSA	IEC/EN 60079-7
800	600	-	-
57 / 10	45 / -	-	-
10	-	-	-
26 - 8	-	-	-
0.1 - 10			
5 / 5.3 / 10			
0.5 - 6			
5 / 5.3 / 10			
1.00 mm ²			
2.50 mm ²			
6.00 mm ²			
M5			
2 - 2.2			
PA			
V0			

Technical data			
Width	Length	Height NS 35/7,5	
13	53.3	-	
Width	Length	Height NS 32	
13	53.3	-	
Width	Length	Height	
13	53.3	37	
I_{max} [A]	U_{max} [V]	max. Ø [mm ²]	AWG
57	800	0.1 - 10	26 - 8
IEC 60947-7-1	UL/CUL	CSA	IEC/EN 60079-7
800	600	-	-
57 / 10	45 / -	-	-
10	-	-	-
26 - 8	-	-	-
0.1 - 10			
5 / 5.3 / 10			
0.5 - 6			
5 / 5.3 / 10			
1.00 mm ²			
2.50 mm ²			
6.00 mm ²			
M5			
2 - 2.2			
PA			
V0			

Ordering data			
Type	I_{max}	Order No.	Pcs. / Pkt.
RSC 4-F		3058130	50
RSC 4-F/4		3059171	1
RSC 4-F/6		3059184	1
RSC 4-F/8		3059197	1
RSC 4-F/12		3059207	1

Ordering data			
Type	I_{max}	Order No.	Pcs. / Pkt.
RSC 5		3058143	50

Ordering data			
Type	I_{max}	Order No.	Pcs. / Pkt.
RSC 5-F		3058156	50
RSC 5-F/4		3059210	1
RSC 5-F/6		3059223	1
RSC 5-F/8		3059236	1
RSC 5-F/12		3059249	1

Accessories			
D-RSC 5-F		3059647	50
FB 10-9	32 A	3059113	10
FB 10-9 ISO	24 A	3059650	10
TS-KK 3		2770215	50
AP RSC		3058017	10
SZS 1,0X6,5 VDE		1205079	10
SZK PH2 VDE		1205163	10

Accessories			
D-RSC 5		3058020	50
FB 10-13	57 A ¹⁾	3059126	10
FB 10-13 ISO	24 A	3059663	10
TS-KK 3		2770215	50
AP RSC		3058017	10
SZS 1,0X6,5 VDE		1205079	10
SZK PH2 VDE		1205163	10

Accessories			
D-RSC 5-F		3059647	50
FB 10-13	57 A ¹⁾	3059126	10
FB 10-13 ISO	24 A	3059663	10
TS-KK 3		2770215	50
AP RSC		3058017	10
SZS 1,0X6,5 VDE		1205079	10
SZK PH2 VDE		1205163	10

ZB 9 (see Catalog 5)
ZBF 9 (see Catalog 5)

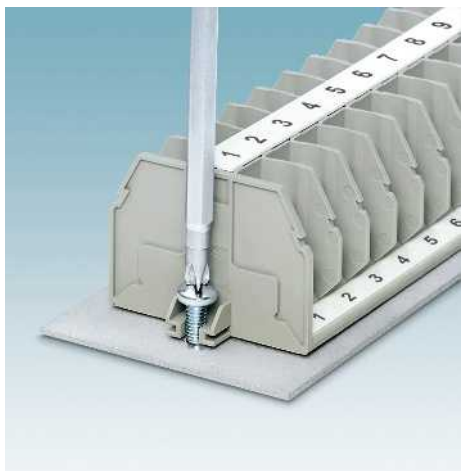
ZB 13 (see Catalog 5)
ZBF 13 (see Catalog 5)

ZB 13 (see Catalog 5)
ZBF 13 (see Catalog 5)

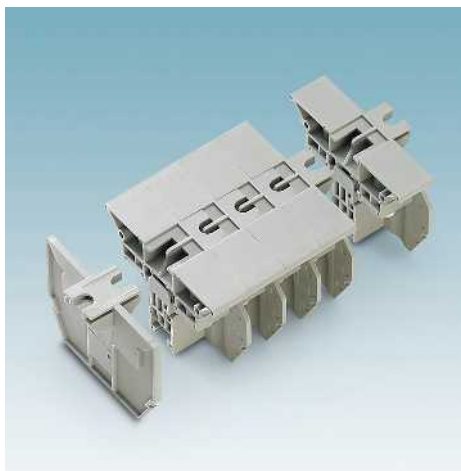
Modular terminal blocks

RBO and RSC bolt connection terminal blocks

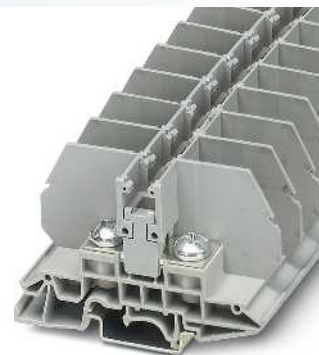
RSC 6 ... M6 screw terminal blocks and RSC 5-T... M5 test disconnect terminal blocks



- Flange terminal blocks for direct mounting in control boxes
- Compact screw connection of ring and fork-type cable lugs
- Bridge shaft for potential distribution using standard screw bridges
- The isolator bridge bar supports switchable cross connections; the bridge screw therefore has the function of a live contact
- Cover profile that can be snapped directly onto the terminal blocks provides touch-proof protection
- Large-surface, seamless external and center labeling
- Screw nuts and current bars are latched in the insulating housing and cannot be removed
- Easy grouping of flange terminal blocks, see figure below



Notes:
1) 57 A for continuous bridging, 41 A for bridging between non-adjacent terminal blocks
2) Rated voltage for 630 V open disconnect point



35 (35) mm², 125 A, feed-through terminal block



Dimensions		[mm]
Dimensions		[mm]
Dimensions		[mm]
Max. electrical data		
Rated data		
Rated voltage	[V]	800
Nominal current / cross section	[A] / [mm ²]	125 / 35
Rated cross section	[mm ²]	35
Cross section range	AWG	12 - 2
Connection capacity, DIN 46234		
Cable lugs, DIN 46234	[mm ²]	6 - 35
Connection bolt / hole diameter / width	[mm]	6 / 6.5 / 15
Connection capacity, DIN 46237		
Cable lugs, DIN 46237	[mm ²]	2.5 - 6
Connection bolt / hole diameter / width	[mm]	6 / 6.5 / 11
Color code		red blue yellow
General data		
Disconnect slide: thread / torque	- / [Nm]	- / -
Bolt thread		M6
Tightening torque	[Nm]	3.2 - 3.7
Insulating material		PA
Inflammability class according to UL 94		V0

Technical data			
Width	Length	Height NS 35/7,5	
17	80.8	49.8	
Width	Length	Height NS 32	
17	80.8	54.8	
Width	Length	Height	
17	80.8	-	
I _{max} [A]	U _{max} [V]	max. Ø [mm ²]	AWG
125	800	2.5 - 35	12 - 2
IEC 60947-7-1			
IEC	UL/CUL	CSA	IEC/EN 60079-7

Description	No. of pos.	Color
Bolt connection terminal block , for mounting on NS 32... or NS 35...		gray
Bolt connection/flange terminal block , for direct mounting		gray
Test disconnect terminal block , for mounting on NS 35 and NS 32		gray
Test disconnect terminal block , with flange, for direct mounting		gray

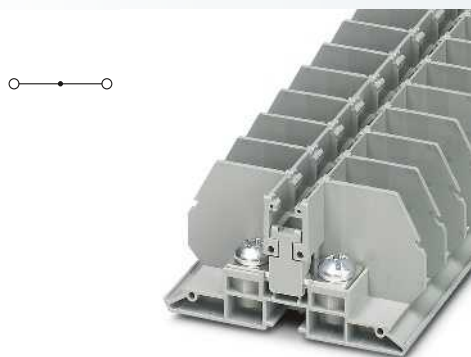
Ordering data			
Type	I _{max}	Order No.	Pcs. / Pkt.
RSC 6		3075870	40

Cover , width 2.2 mm	gray		
Fixed bridge , insulated			
	10	silver	
Isolator bridge bar , can be separated, with 10 screws			
	10	silver	
Separating disk , for separation of neighboring bridges, can be fitted later, no loss of pitch		gray	
Cover profile , supply length 1 m		transparent	
Screwdriver			

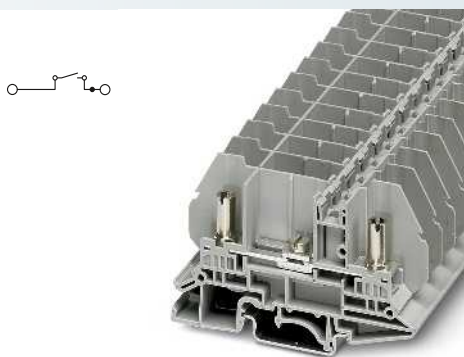
Accessories			
Type	I _{max}	Order No.	Pcs. / Pkt.
D-RSC 6		3213098	50
FB 10-17	57 A	3075951	10
FB 10-17 ISO	57 A	3213085	10
TS-KK 3		2770215	50
AP RSC-T		3059139	10

Center groove labeling	
Lateral groove labeling	

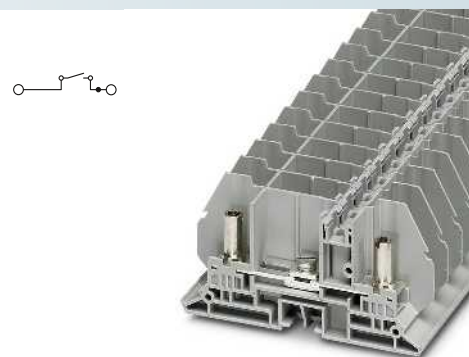
ZB 17 (see Catalog 5)
ZBF 17 (see Catalog 5)



35 (35) mm², 125 A, feed-through terminal block, for direct mounting



10 (10) mm², 50 A, test disconnect terminal block



10 (10) mm², 50 A, test disconnect terminal block



Technical data			
Width	Length	Height NS 35/7,5	
17	80.8	-	
Width	Length	Height NS 32	
17	80.8	-	
Width	Length	Height	
17	80.8	39.7	
I_{max} [A]	U_{max} [V]	max. Ø [mm ²]	AWG
125	800	2.5 - 35	12 - 2
IEC 60947-7-1	UL/CUL	CSA	IEC/EN 60079-7
800	600	-	-
125 / 35	115 / -	-	-
35	-	-	-
12 - 2	-	-	-
6 - 35			
6 / 6.5 / 15			
2.5 - 6			
6 / 6.5 / 11			
2.50 mm ²			
6.00 mm ²			
- / -			
M6			
3.2 - 3.7			
PA			
V0			

Technical data			
Width	Length	Height NS 35/7,5	
13	79.9	49.8	
Width	Length	Height NS 32	
13	79.9	54.8	
Width	Length	Height	
13	79.9	-	
I_{max} [A]	U_{max} [V]	max. Ø [mm ²]	AWG
50	800 ²⁾	0.1 - 10	26 - 8
IEC 60947-7-1	UL/CUL	CSA	IEC/EN 60079-7
800 ²⁾	600	-	-
50 / 10	45 / -	-	-
10	-	-	-
26 - 8	-	-	-
0.1 - 10			
5 / 5.3 / 10			
0.5 - 6			
5 / 5.3 / 10			
1.00 mm ²			
2.50 mm ²			
6.00 mm ²			
M4 / 1.2 - 1.4			
M5			
2 - 2.2			
PA			
V0			

Technical data			
Width	Length	Height NS 35/7,5	
13	79.9	-	
Width	Length	Height NS 32	
13	79.9	-	
Width	Length	Height	
13	79.9	39.7	
I_{max} [A]	U_{max} [V]	max. Ø [mm ²]	AWG
50	800 ²⁾	0.1 - 10	26 - 8
IEC 60947-7-1	UL/CUL	CSA	IEC/EN 60079-7
800 ²⁾	600	-	-
50 / 10	45 / -	-	-
10	-	-	-
26 - 8	-	-	-
0.1 - 10			
5 / 5.3 / 10			
0.5 - 6			
5 / 5.3 / 10			
1.00 mm ²			
2.50 mm ²			
6.00 mm ²			
M4 / 1.2 - 1.4			
M5			
2 - 2.2			
PA			
V0			

Ordering data			
Type	I_{max}	Order No.	Pcs. / Pkt.
RSC 6-F		3075919	40

Ordering data			
Type	I_{max}	Order No.	Pcs. / Pkt.
RSC 5-T		3058172	50

Ordering data			
Type	I_{max}	Order No.	Pcs. / Pkt.
RSC 5-T-F		3058334	50

Accessories			
D-RSC 6-F		3213108	50
FB 10-17	57 A	3075951	10
FB 10-17 ISO	57 A	3213085	10
TS-KK 3		2770215	50
AP RSC-T		3059139	10

Accessories			
D-RSC 5-T		3058046	50
FB 10-13	57 A ¹⁾	3059126	10
FB 10-13 ISO	24 A	3059663	10
TS-KK 3		2770215	50
AP RSC-T		3059139	10
SZG 0,9X6,5 VDE		1205134	10

Accessories			
D-RSC 5-T-F		3059346	50
FB 10-13	57 A ¹⁾	3059126	10
FB 10-13 ISO	24 A	3059663	10
TS-KK 3		2770215	50
AP RSC-T		3059139	10
SZG 0,9X6,5 VDE		1205134	10

ZB 17 (see Catalog 5)
ZBF 17 (see Catalog 5)

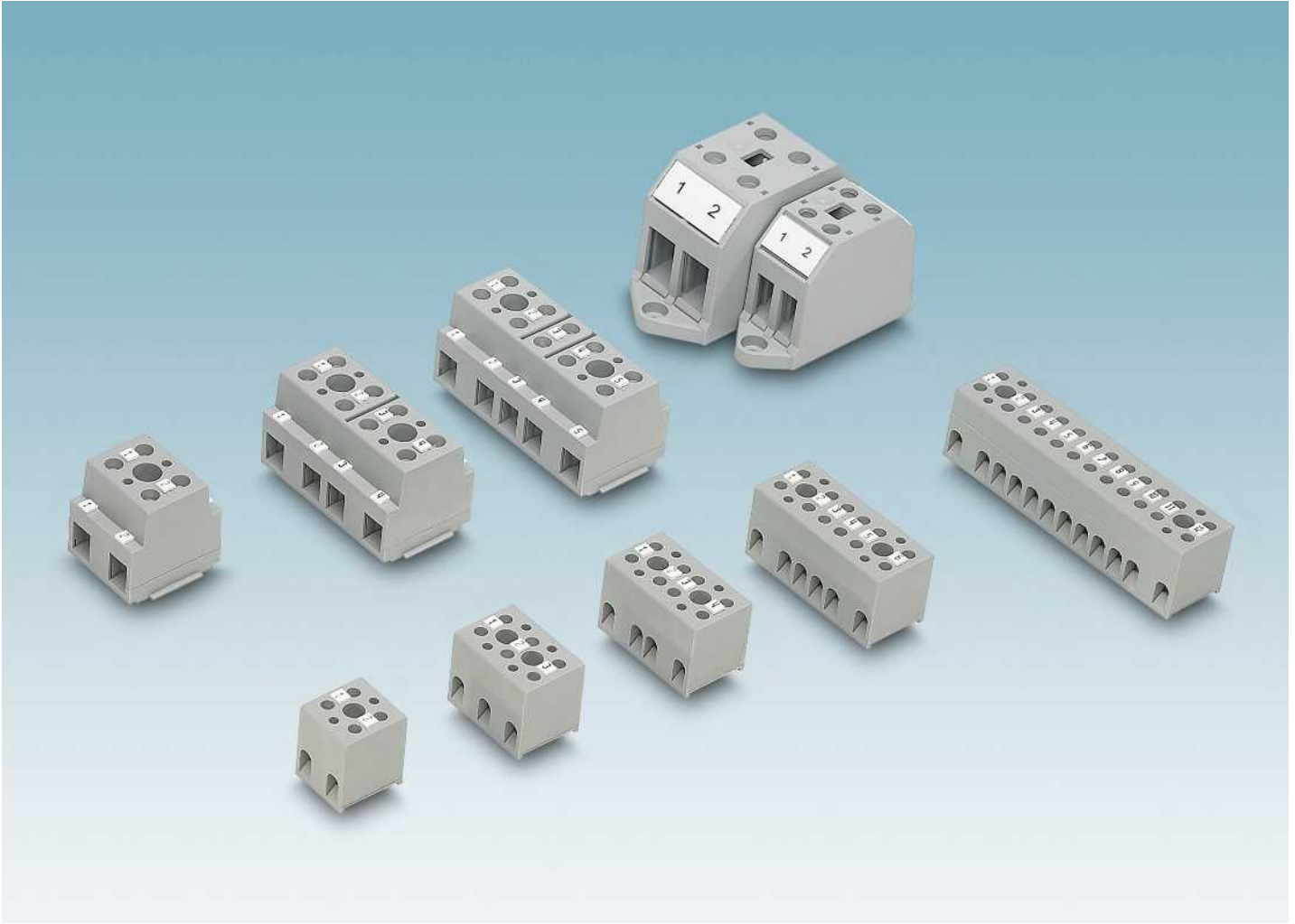
ZB 13 (see Catalog 5)
ZBF 13 (see Catalog 5)

ZB 13 (see Catalog 5)
ZBF 13 (see Catalog 5)

Modular terminal blocks

G and UDB device terminal blocks

Device terminal blocks



For direct rail-free use

Compact device terminal blocks fitted free of rails are mainly used in network connections for electric and electronic equipment and in small terminal boxes.



Safe conductor connection

The device terminal blocks are designed for very stringent requirements. The screw connection familiar from standard modular terminal blocks offers:

- Maintenance-free conductor connection
- Simple multi-conductor connection
- Conductor connection with or without ferrule



Comprehensive range

The device terminal block product family is available up to a nominal cross section of 35 mm² and 125 A with different numbers of positions.

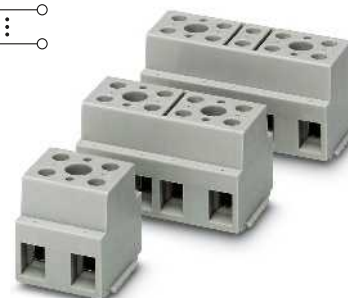
The terminal blocks are clearly and unambiguously labeled with the labeling material.

G 5/G 10 and GE 10... device terminal blocks for direct mounting

- Finger protection
- The housing ribs engage with one another below on both sides for simple attachment
- Mounting with two screws per block (apart from the 2-pos. version)



4 (4) mm², 32 A, terminal block base, multi-position



10 (16) mm², 76 A, terminal block base, multi-position

Notes:
For drawings and dimensions, visit www.phoenixcontact.net/products



Dimensions		[mm]
Max. electrical data		
Rated data		
Rated voltage	[V]	500
Nominal current / cross section	[A] / [mm ²]	32 / 4
Rated cross section	[mm ²]	4
Cross section range	AWG	24 - 12
Connection capacity		
1 conductor	[mm ²]	0.2 - 4
Two conductors (of the same type)	[mm ²]	0.2 - 1.5
Two stranded conductors with a TWIN ferrule	[mm ²]	0.2 - 1.5
General data		
Stripping length	[mm]	8
Screw thread		M3
Tightening torque	[Nm]	0.6 - 0.8
Insulating material		PA
Inflammability class according to UL 94		V2

Technical data				
Width	Length	Height		
20	22	24		
I _{max.} [A]	U _{max.} [V]	max. Ø [mm ²]	AWG	
32	500	0.2 - 4	24 - 12	
IEC 60947-7-1/IEC 60998				
IEC	UL/CUL	CSA	IEC/EN 60079-7	
Ferrule				
Without / with plastic sleeve				
solid	stranded			
0.2 - 4	0.2 - 4	0.25 - 4	0.25 - 2.5	
0.2 - 1.5	0.2 - 1.5	0.25 - 1.5	-	
		0.5 - 1		

Technical data				
Width	Length	Height		
29	33	31		
I _{max.} [A]	U _{max.} [V]	max. Ø [mm ²]	AWG	
76	800	0.5 - 16	20 - 6	
IEC 60947-7-1/IEC 60998				
IEC	UL/CUL	CSA	IEC/EN 60079-7	
Ferrule				
Without / with plastic sleeve				
solid	stranded			
0.5 - 16	0.5 - 10	0.5 - 16	0.5 - 16	
0.5 - 6	0.5 - 6	0.5 - 6	-	
		0.5 - 6		

Description	Color
Device terminal block, for direct mounting, 2-pos.	gray
3-pos.	gray
4-pos.	gray
5-pos.	gray
6-pos.	gray
12-pos.	gray
Device terminal block, for direct mounting, bridged, 2-pos.	orange

Ordering data			
Type	Order No.	Pcs. / Pkt.	
G 5/2	2716020	50	
G 5/3	2716033	50	
G 5/4	2716046	50	
G 5/6	2716062	50	
G 5/12	2716127	50	
G 5/2 B	2716305	50	

Ordering data			
Type	Order No.	Pcs. / Pkt.	
G 10/2	2716703	10	
G 10/3	2716716	10	
G 10/4	2716729	10	
G 10/5	2716732	10	

Warning label	
	yellow
	yellow
Marker pin, unprinted, made of plastic, for individual labeling with B-STIFT or X-PEN	white
Screwdriver	

Accessories			
Type	Order No.	Pcs. / Pkt.	
WS-G5/3	2720032	10	
WS-G5/4	2716499	10	
BN WH	1401404	100	
SF-SL 0,6X3,5-100 S-VDE	1212587	10	

Accessories			
Type	Order No.	Pcs. / Pkt.	
BN WH	1401404	100	
SZS 1,0X4,0 VDE	1205066	10	

Modular terminal blocks

G and UDB device terminal blocks

GE 35... device terminal blocks for direct mounting

- Finger protection
- Mounting with two screws per block
- Large labeling option on terminal points

Notes:
For drawings and dimensions, visit www.phoenixcontact.net/products



10 (16) mm², 76 A, terminal block base, two-pos.



10 (16) mm², 76 A, terminal block base, two-pos., internally connected

Dimensions	
	[mm]
Max. electrical data	
Rated data	
Rated voltage [V]	1000
Nominal current / cross section [A] / [mm ²]	57 / 10
Rated cross section [mm ²]	10
Cross section range AWG	20 - 6
Connection capacity	
1 conductor [mm ²]	0.5 - 16
Two conductors (of the same type) [mm ²]	0.5 - 4
Two stranded conductors with a TWIN ferrule [mm ²]	0.5 - 10
General data	
Stripping length [mm]	10
Screw thread	M4
Tightening torque [Nm]	1.5 - 1.8
Insulating material	PA
Inflammability class according to UL 94	V2



Technical data				
Width	Length	Height		
24.8	71.3	40		
I _{max.} [A]	U _{max.} [V]	max. Ø [mm ²]	AWG	
76	1000	0.5 - 16	20 - 6	
IEC 60947-7-1/IEC 60998				
IEC	UL/CUL	CSA	IEC/EN 60079-7	
solid				
stranded				
Ferrule				
Without / with plastic sleeve				
0.5 - 16	0.5 - 10	0.5 - 10	0.5 - 6	
0.5 - 4	0.5 - 4	0.5 - 2.5	-	
0.5 - 6				



Technical data				
Width	Length	Height		
24.8	71.3	40		
I _{max.} [A]	U _{max.} [V]	max. Ø [mm ²]	AWG	
76	1000	0.5 - 16	20 - 6	
IEC 60947-7-1/IEC 60998				
IEC	UL/CUL	CSA	IEC/EN 60079-7	
solid				
stranded				
Ferrule				
Without / with plastic sleeve				
0.5 - 16	0.5 - 10	0.5 - 10	0.5 - 6	
0.5 - 4	0.5 - 4	0.5 - 2.5	-	
0.5 - 6				

Description	Color
Device terminal block, for direct mounting, 2-pos.	gray
Device terminal block, for direct mounting, bridged, 2-pos.	blue
Device terminal block, for direct mounting, 2-pos., bridged	gray
Device terminal block, for direct mounting, 1-pos.	blue
Device terminal block, for direct mounting, 2-pos.	gray
Device terminal block, for direct mounting, bridged, 2-pos.	blue
Device terminal block, for direct mounting, bridged, 2-pos.	gray
	blue

Ordering data		
Type	Order No.	Pcs. / Pkt.
GE 10/2	3071049	25
GE 10/2 BU	3071052	25

Ordering data		
Type	Order No.	Pcs. / Pkt.
GE 10/2-B	2701572	25
GE 10/2-B BU	2701573	25

Screwdriver	
UC-TM 8, UCT-TM 8 or ZB 8 (see Catalog 5)	

Accessories		
SZS 1,0X4,0 VDE	1205066	10

Accessories		
SZS 1,0X4,0 VDE	1205066	10



35 (35) mm², 125 A, terminal block base, single-pos.



35 (35) mm², 125 A, terminal block base, two-pos.



35 (35) mm², 125 A, terminal block base, two-pos., internally connected



Technical data				
Width	Length	Height		
19.8	83.7	44.9		
I _{max} [A]	U _{max} [V]	max. Ø [mm ²]	AWG	
125	630	0.75 - 35	18 - 2	
IEC 60947-7-1/IEC 60998				
IEC	UL/CUL	CSA	IEC/EN 60079-7	
630	-	-	-	
125 / 35	- / -	-	-	
35	-	-	-	
18 - 2	-	-	-	
solid	stranded	Ferrule		
		Without / with plastic sleeve		
0.75 - 35	0.75 - 35	0.75 - 35	0.75 - 35	
0.75 - 10	0.75 - 10	0.75 - 10	-	
		0.75 - 6		
16				
M6				
3.5 - 4				
PA				
V2				

Technical data				
Width	Length	Height		
34.8	83.7	44.9		
I _{max} [A]	U _{max} [V]	max. Ø [mm ²]	AWG	
125	630	0.75 - 35	18 - 2	
IEC 60947-7-1/IEC 60998				
IEC	UL/CUL	CSA	IEC/EN 60079-7	
630	-	-	-	
125 / 35	- / -	-	-	
35	-	-	-	
18 - 2	-	-	-	
solid	stranded	Ferrule		
		Without / with plastic sleeve		
0.75 - 35	0.75 - 35	0.75 - 35	0.75 - 35	
0.75 - 10	0.75 - 10	0.75 - 10	-	
		0.75 - 6		
16				
M6				
3.5 - 4				
PA				
V2				

Technical data				
Width	Length	Height		
34.8	83.7	44.9		
I _{max} [A]	U _{max} [V]	max. Ø [mm ²]	AWG	
125	630	0.75 - 35	18 - 2	
IEC 60947-7-1/IEC 60998				
IEC	UL/CUL	CSA	IEC/EN 60079-7	
630	-	-	-	
125 / 35	- / -	-	-	
35	-	-	-	
18 - 2	-	-	-	
solid	stranded	Ferrule		
		Without / with plastic sleeve		
0.75 - 35	0.75 - 35	0.75 - 35	0.75 - 35	
0.75 - 10	0.75 - 10	0.75 - 10	-	
		0.75 - 6		
16				
M6				
3.5 - 4				
PA				
V2				

Ordering data		
Type	Order No.	Pcs. / Pkt.
GE 35/1	3071082	25
GE 35/1 BU	3071095	25

Ordering data		
Type	Order No.	Pcs. / Pkt.
GE 35/2	3071065	25
GE 35/2 BU	3071078	25

Ordering data		
Type	Order No.	Pcs. / Pkt.
GE 35/2-B	2701569	25
GE 35/2-B BU	2701570	25

Accessories		
SZS 1,0X4,0 VDE	1205066	10
UC-TM 12, UCT-TM 12 or ZB 12 (see Catalog 5)		

Accessories		
SZS 1,0X4,0 VDE	1205066	10
UC-TM 12, UCT-TM 12 or ZB 12 (see Catalog 5)		

Accessories		
SZS 1,0X4,0 VDE	1205066	10
UC-TM 12, UCT-TM 12 or ZB 12 (see Catalog 5)		

Modular terminal blocks

G and UDB device terminal blocks

UDB ... trunk line branch terminals



- The branch terminals from the UDB ... series are suitable for the simple voltage pick-off of main supply cables up to 35 mm²
- The UDB ... blocks are used in counter and marshalling cabinets
- They meet the requirements of DIN VDE 0603-2/EN 60998-1
- The touch-proof blocks can be snapped together in a modular fashion depending on the application and attached to NS 35 DIN rails according to EN 60715
- Available in two terminal block versions up to 25 mm² or up to 35 mm²
- Available in the five current conductor colors, e.g., for three-phase cables



25 (25) mm², 101 A, trunk line branch terminal, 2 x 16 mm² feeders

N

Dimensions	[mm]
Max. electrical data	
Rated data	
Rated voltage	[V]
Nominal current / cross section	[A] / [mm ²]
Rated cross section	[mm ²]
Cross section range	AWG
Supply connection capacity	
1 conductor	[mm ²]
Branch connection capacity	
1 conductor	[mm ²]
General data	
Stripping length	[mm]
Insulating material	
Inflammability class according to UL 94	

Technical data				
Width	Length	Height NS 35/7,5		
23	46	42		
I _{max} [A]	U _{max} [V]	max. Ø [mm ²]	AWG	
101	400	1.5 - 25	8 - 2	
IEC 60998-1				
IEC	UL/CUL	CSA	IEC/EN 60079-7	
Rated voltage				
400	-	-	-	
Nominal current / cross section				
101 / 25	- / -	- / -	-	
Rated cross section				
25	-	-	-	
Cross section range				
8 - 2	-	-	-	
Supply connection capacity	solid	stranded	Ferrule	
			Without / with plastic sleeve	
1 conductor	1.5 - 25	10 - 25	1.5 - 16	1.5 - 10
Branch connection capacity	solid	stranded	Ferrule	
			Without / with plastic sleeve	
1 conductor	1.5 - 16	-	1.5 - 10	1.5 - 6
General data				
Stripping length	16			
Insulating material	PA			
Inflammability class according to UL 94	V0			

Description	Color
Terminal block, for mounting on NS 35...	gray black brown blue green

Ordering data			
Type	Order No.	Pcs. / Pkt.	
UDB 2X25/16 GY	3071355	5	
UDB 2X25/16 BK	3071356	5	
UDB 2X25/16 BN	3071357	5	
UDB 2X25/16 BU	3071358	5	
UDB 2X25/16 GN	3071359	5	

Screwdriver	Marking
SF-PZSL 1-80 VDE	0815677 EML (15X9)R

Accessories		
SF-PZSL 1-80 VDE	1212556	10
0815677 EML (15X9)R		



N



**35 (35) mm², 125 A, trunk line branch terminal,
2 x 25 mm² feeders**

Technical data

Width	Length	Height NS 35/7,5	
27	55	46	
I_{max} [A]	U_{max} [V]	max. Ø [mm ²]	AWG
125	400	10 - 35	8 - 2
IEC 60998-1			
IEC	UL/CUL	CSA	IEC/ EN 60079-7
400	-	-	-
125 / 35	- / -	- / -	-
35	-	-	-
8 - 2	-	-	-
solid	stranded	Ferrule	
		Without / with plastic sleeve	
10 - 35	10 - 25	10 - 25	10 - 16
solid	stranded	Ferrule	
		Without / with plastic sleeve	
1.5 - 25	-	1.5 - 16	1.5 - 10
25			
PA			
V0			

Ordering data

Type	Order No.	Pcs. / Pkt.
UDB 2X35/25 GY	3071350	5
UDB 2X35/25 BK	3071351	5
UDB 2X35/25 BN	3071352	5
UDB 2X35/25 BU	3071353	5
UDB 2X35/25 GN	3071354	5

Accessories

SF-PZSL 2-100 S-VDE	1212700	10
0815677 EML (15X9)R		

Modular terminal blocks

Accessories

PSBJ ... test sockets

- The test sockets are tailored to the special applications encountered in the energy supply industry
- The PSBJ... test socket is used in place of the normal bridge screw and ensures the voltage tap on a bridged group of terminal blocks



4 mm test socket, for URTK/S test disconnect terminal blocks



4 mm test socket, for UK terminal blocks with M4 bridge thread

General data		Technical data			Technical data		
Description		Ordering data			Ordering data		
Description	Color	Type	Order No.	Pcs. / Pkt.	Type	Order No.	Pcs. / Pkt.
Test socket , insulated, for the URTK/S terminal block, M3.5 thread	transparent white red blue yellow green violet gray black	PSBJ 3,5/18/6 FARBLOS PSBJ 3,5/18/6 WH PSBJ 3,5/18/6 RD PSBJ 3,5/18/6 BU PSBJ 3,5/18/6 YE PSBJ 3,5/18/6 GN PSBJ 3,5/18/6 VT PSBJ 3,5/18/6 GY PSBJ 3,5/18/6 BK	0311391 0311317 0311320 0311333 0311346 0311359 0311362 0311375 0311388	10 10 10 10 10 10 10 10 10			
Test socket , insulated, can be used only with FBI and ISSBI	silver				PSBJ 3/13/4	0201304	10
Test socket , insulated, for UK 6 N, UK 10 N and URTK/SP and USST 10 terminal blocks, M4 thread	transparent white red blue yellow green violet gray black				PSBJ 4/15/6 FARBLOS PSBJ 4/15/6 WH PSBJ 4/15/6 RD PSBJ 4/15/6 BU PSBJ 4/15/6 YE PSBJ 4/15/6 GN PSBJ 4/15/6 VT PSBJ 4/15/6 GY PSBJ 4/15/6 BK	0303419 0303312 0303325 0303354 0303367 0303370 0303383 0303396 0303406	10 10 10 10 10 10 10 10 10
Test socket , fully insulated, for safety test plugs							
For the UK 5 N terminal block, thread M3	gray						
For the UK 6 N terminal block, thread M4	gray						
Can be used only with FBI 10-6, thread M3	gray						
Can be used only with FBI 10-8, thread M4	gray						
Female test plug , insulated	transparent red blue yellow green violet black gray brown						
Test socket , fully insulated, touch-proof in accordance with BGV A 2, for 4 mm Ø safety measuring leads, for universal test disconnect terminal block URTK/S, M3.5 thread	red blue yellow green violet black						



4 mm test socket, for safety test plugs, for UK terminal blocks



4 mm test socket, for SRTK 6 and URTK 6 test disconnect terminal blocks, M3 thread



4 mm test socket, for safety test plugs, for URTK/S test disconnect terminal blocks

Technical data

Technical data

Technical data

Ordering data

Ordering data

Ordering data

Type	Order No.	Pcs. / Pkt.
PSBJ 3/52/6 GY	3048085	10
PSBJ 4/41/8 GY	3206186	10
PSBJ 3/50/6 GY	3048098	10
PSBJ 4/51/8 GY	3206173	10

Type	Order No.	Pcs. / Pkt.
PSBJ-URTK 6 FARBLOS	3026450	10
PSBJ-URTK 6 RD	3026719	10
PSBJ-URTK 6 BU	3026434	10
PSBJ-URTK 6 YE	3026405	10
PSBJ-URTK 6 GN	3026418	10
PSBJ-URTK 6 VT	3026421	10
PSBJ-URTK 6 BK	3026447	10
PSBJ-URTK 6 GY	3026612	10
PSBJ-URTK 6 BN	3026971	10

Type	Order No.	Pcs. / Pkt.
PSBJ-URTK/S RD	0311744	10
PSBJ-URTK/S BU	0311757	10
PSBJ-URTK/S YE	0311731	10
PSBJ-URTK/S GN	0311760	10
PSBJ-URTK/S VT	0311773	10
PSBJ-URTK/S BK	0311728	10

PSB ... test sockets



- PSB ... test sockets are used for a reliable test connection
- All test sockets are screwed into the bridge shaft
- With PSB 3/10/4, the test connection is provided by the MPS miniature test plug with 2.3 mm diameter
- With PSB 6/5/6 and PSB 4/7/6, the test plug with 4 mm diameter is used



Test sockets for UK terminal blocks

General data

Material

Technical data

silver-plated brass

Ordering data

Description	Color	Type	Order No.	Pcs. / Pkt.
Test socket For the UK 2,5 N, UK 3 N, UK 5 N terminal blocks, M3 thread	silver	PSB 3/10/4	0601292	10
For the UK 6 N, UK 10 N, UK 16 N terminal blocks, M4 thread	silver	PSB 4/7/6	0303299	10
For UK 35 terminal block, M6 thread	silver	PSB 6/5/6	0205290	10

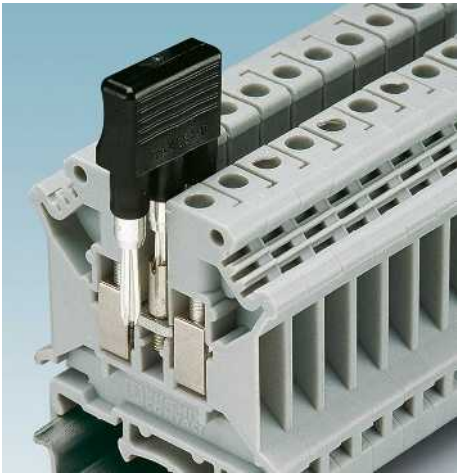
PS-... modular test plugs

- PS-...2,3MM modular test plugs can be used to put together individual test adapters
- The test plug reliably makes contact in the bridge shaft and in all test sockets with a 2.3 mm or 4 mm diameter
- PS-UK ... modular test plugs are simply placed on the bridge shaft of the corresponding terminal block and latched by pressing down the locking pin



General data				Technical data			Technical data		
Insulating material				PA			PA		
Inflammability class according to UL 94				V0			V2		
Temperature range [°C]				-40 ... 100			-40 ... 115		
Ordering data				Ordering data			Ordering data		
Description	No. of pos.	Width	Color	Type	Order No.	Pcs. / Pkt.	Type	Order No.	Pcs. / Pkt.
Test plug , consisting of: metal part for 4 mm Ø socket hole And				PS-MT	0311647	10			
Insulating sleeve for PS metal part		6 mm	white	PS-IH WH	0311566	10			
		6 mm	red	PS-IH RD	0311579	10			
		6 mm	blue	PS-IH BU	0311582	10			
		6 mm	yellow	PS-IH YE	0311595	10			
		6 mm	green	PS-IH GN	0311605	10			
		6 mm	violet	PS-IH VT	0311618	10			
		6 mm	gray	PS-IH GY	0311621	10			
		6 mm	black	PS-IH BK	0311634	10			
Test plug metal part , 2,3 mm Ø		5 mm		MPS-MT	0201744	10			
Test plug , consisting of: metal part for 4 mm Ø socket hole And 4 mm Ø				MPS-MT/ 4MM	3048577	1			
Modular test plug housing , for MPS metal part, can be marked with ZB 5				PS-5/2,3MM RD	3038723	10			
Modular test plug housing , for MPS metal part, can be labeled with ZBF 6				PS-6/2,3MM RD	3038736	10			
Modular test plug housing , labeling with ZBF 7.5				PS-7,5/2,3MM RD	3038749	10			
Modular test plug housing , labeling with ZBF 8				PS-8/2,3MM RD	3048564	10			
Modular test plug , available as: 1-pos., can be aligned in any number, for terminal blocks UK 2.5 N, UK 3 N, UK 5 N, UK 3-TWIN, UK 5-TWIN							PS-UK 2,5 B/E	3001132	10
Modular test plug , available as: set of 10 with connection pin, can be snapped together as desired, for terminal blocks UK 2,5 N, UK 3 N, UK 3-TWIN							PS-UK 2,5 B/Z-5	3001226	1
Modular test plug , available as: set of 10 with connection pin, can be snapped together as desired, for terminal blocks UK 5 N, UK 5-TWIN							PS-UK 2,5 B/Z-6	3001239	1
An individual double-level test plug , makes contact in the upper and lower level simultaneously, available as: 1-pos., for UKK 3, UKK 3-LOER, UKKB 3, UKK 5, UKK 5-DIO, UKKB 5, UTTB ...							PS-UKK/E	3000641	10
Modular double-level test plug , makes contact in the upper and lower level simultaneously, available as: 10-pos. blocks with two connection pins, for UKK 3, UKKB 3, UTTB 2,5							PS-UKK 3	3000638	1
Modular double-level test plug , makes contact in the upper and lower level simultaneously, available as: 10-pos. blocks with two connection pins, for UKK 5, UKK 5-DIO, UKKB 5, UTTB 4							PS-UKK 5	3000625	1

KSS ... short-circuit plugs



- Short-circuit plugs allow two or more neighboring terminal blocks, fitted with the PSB ... or PSBJ ... test sockets, to be easily short circuited
- The KSSI ... short-circuit plugs are suitable for use on insulated 4 mm test sockets for safety test plugs



2, 3, and 4-pos. short-circuit plugs

General data

Material
Inflammability class according to UL 94

Technical data

PA
V2

Ordering data

Description	No. of pos.	Color
Short-circuit plug , for short circuiting neighboring terminal blocks, can only be used with PSB or PSBJ		
Pitch 5.2 mm	2	black
Pitch 6.2 mm	2	black
Pitch 8.2 mm	2	black
Pitch 10.2 mm	2	black
Short-circuit plug , for short circuiting neighboring terminal blocks, can only be used with PSB or PSBJ, with a pitch of 6.2 mm	3	black
Short-circuit plug , for short circuiting neighboring terminal blocks, can only be used with PSB or PSBJ, with an 8.2 mm pitch	4	black
Short-circuit plug , for short circuiting neighboring terminal blocks, fully insulated, 2-pos.	2	black
	4	black

Type	Order No.	Pcs. / Pkt.
KSS 5	2303543	10
KSS 6	0301547	10
KSS 8	0311540	10
KSS 10	0310541	10
KSS 3-6	0309523	10
KSS 4-8	0309549	10
KSSI 2-8	3000722	10
KSSI 4-8	3000735	10



WS ... warning labels



- Network connection terminal blocks are reliably covered and labeled using warning labels
- This prevents accidental actuation of the terminal points
- The warning labels are secured in the bridge shafts of the UK ... modular terminal blocks using plastic screws



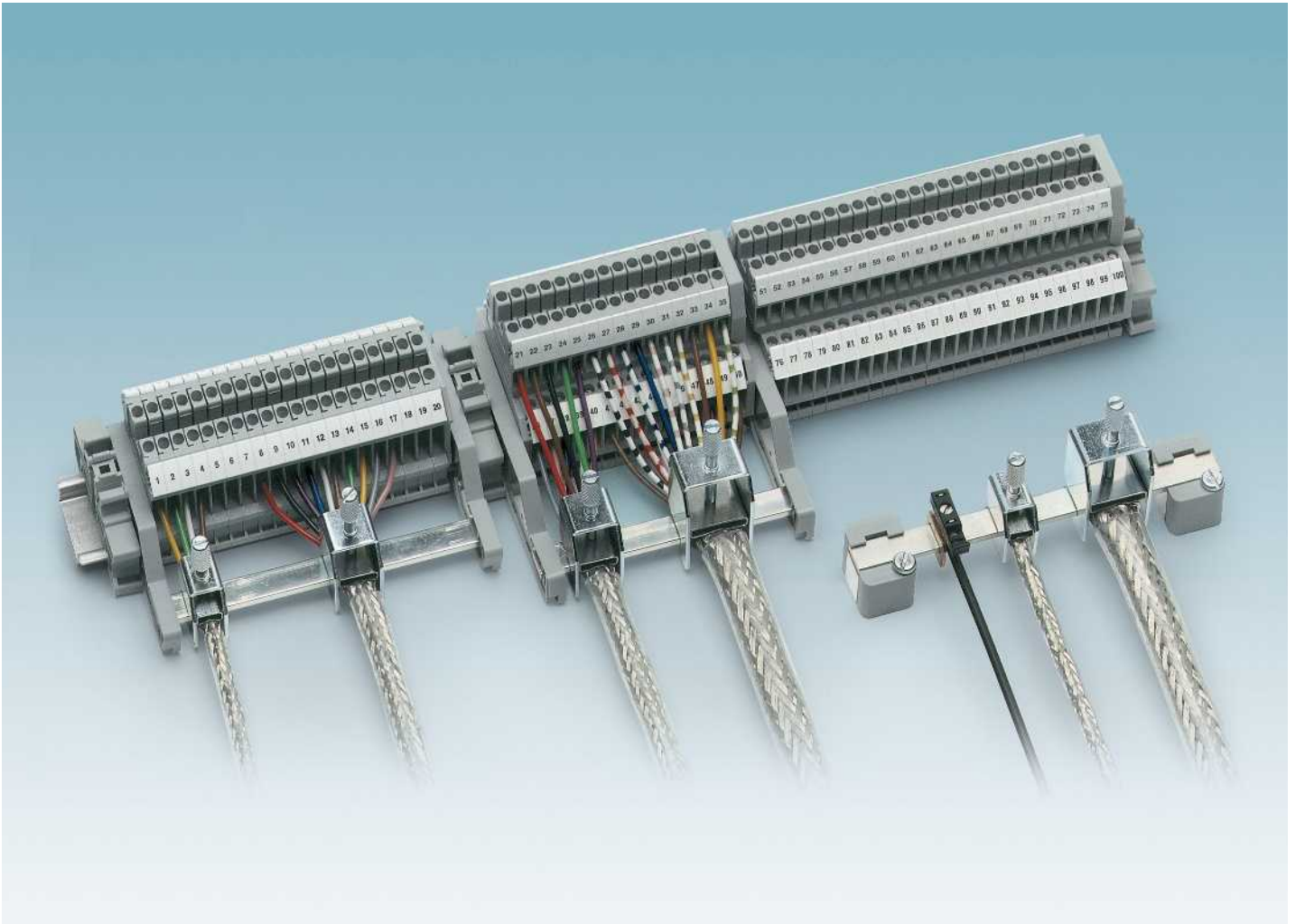
Warning labels for UK feed-through terminal blocks

Description	Color
Warning label, with 2 plastic screws, 5 mm pitch	
covers 3 t.b.s	yellow
covers 4 t.b.s	yellow
covers 5 t.b.s	yellow
Warning label, with 2 plastic screws, 6 mm pitch	
covers 3 t.b.s	yellow
covers 4 t.b.s	yellow
covers 5 t.b.s	yellow
Warning label, with 2 plastic screws, 8 mm pitch	
covers 3 t.b.s	yellow
covers 4 t.b.s	yellow
covers 5 t.b.s	yellow
Warning label, with 2 plastic screws, 10 mm pitch	
covers 4 t.b.s	yellow
covers 5 t.b.s	yellow
Warning label, with 2 plastic screws, 12 mm pitch	
covers 4 t.b.s	yellow
covers 5 t.b.s	yellow
Warning label, with two plastic screws, 15 mm pitch	
covers 4 t.b.s	orange
covers 5 t.b.s	orange

Ordering data		
Type	Order No.	Pcs. / Pkt.
Warning label, with 2 plastic screws, 5 mm pitch		
WS 3- 5	0805357	10
WS 4- 5	0805344	10
WS 5- 5	0805331	10
Warning label, with 2 plastic screws, 6 mm pitch		
WS 3- 6	1004115	10
WS 4- 6	1004209	10
WS 5- 6	1004403	10
Warning label, with 2 plastic screws, 8 mm pitch		
WS 3- 8	1004128	10
WS 4- 8	1004212	10
WS 5- 8	1004416	10
Warning label, with 2 plastic screws, 10 mm pitch		
WS 4-10	1004225	10
WS 5-10	1004429	10
Warning label, with 2 plastic screws, 12 mm pitch		
WS 4-12	0805328	10
WS 5-12	0805315	10
Warning label, with two plastic screws, 15 mm pitch		
WS 4-15	1004241	10
WS 5-15	1004445	10

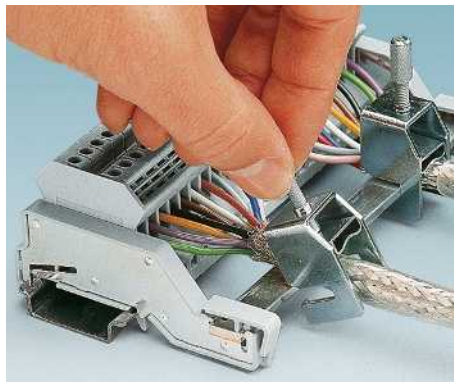
Modular terminal blocks

SK shield connection clamps



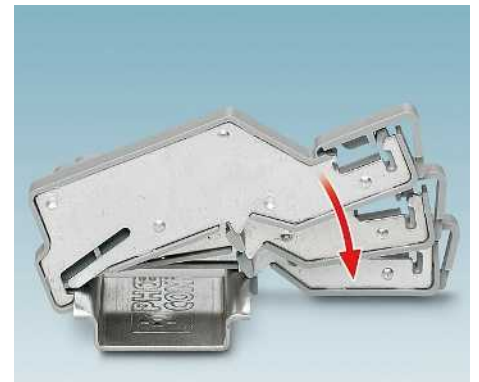
Large shield support

Shield connection terminal blocks are suitable for all standard cable shields and allow for EMC-compliant wiring through large surfaces and low-impedance and low-resistance contact transitions.



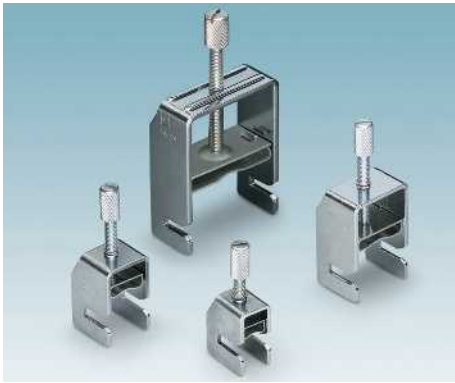
Easy to install

The shield connection terminal blocks offer optimum wiring convenience. Only once the terminal strip has been wired is the shield connection terminal block mounted by simply pivoting it into place.

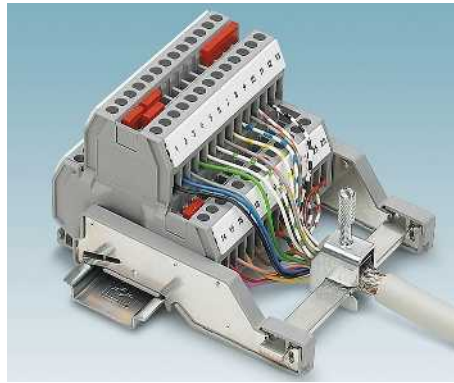


Safe contact

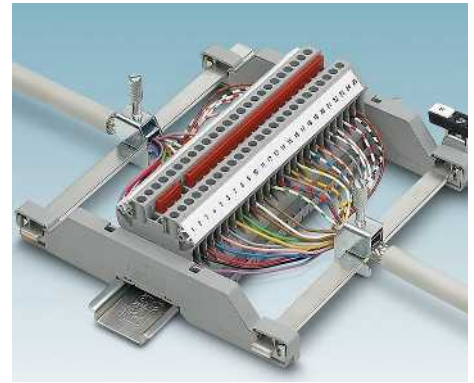
Phoenix Contact support frames for shield connection terminal blocks are easily snapped onto the mounting rail. The integrated contact metals allow the ground potential to be automatically connected to the busbar.



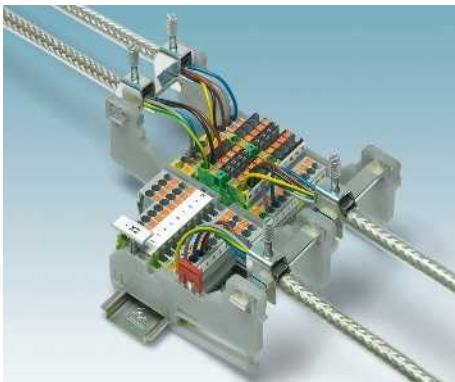
Conductors with a diameter of 2 to 35 mm can make optimum contact with the shield connection clamps of the SK series without any special tools and are available for various types of mounting.



The AB-SK single-sided shield support frames are particularly suitable for space-saving conductor connection for terminal blocks and devices with cable entry at the side.



The double support frame offers simple handling with optimum EMC properties for the two-sided support of a shielded cable. Either an isolated or grounded structure can be used.



The easiest way to wire terminal blocks with a front connection is using AB-SK TOP support frames located above the blocks. The NLS rail can be mounted in the support frames vertically, horizontally or at a 45° angle for optimum conductor placing.



The 3 x 10 mm PEN conductor busbar can also be quickly and safely snapped into the contact zone. The ground potential is thereby automatically connected to the busbar.



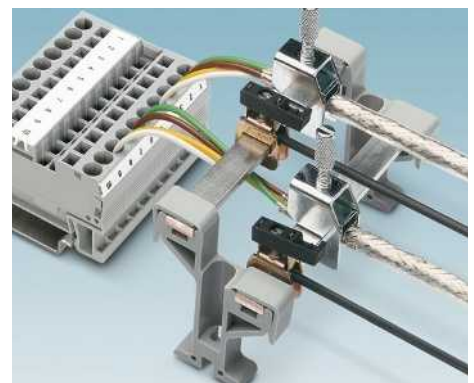
Featuring the same design as the SK series, shield supports with SK ...-D terminal blocks D can also be implemented directly on the mounting plate or back wall. The terminal blocks are simply pivoted into the two slots above the conductor.



Support frames with a lateral metal insert for the PEN conductor busbar or AB-SK/E T-shaped compact support frames are used to freely position the shield connection terminal blocks on the mounting plate.



Alternatively, the shielding can also be connected to ground potential isolated from protective earth ground. An appropriate contact to the PEN conductor busbar is established using a pick-off terminal block.



The easiest way to wire terminal blocks with a front connection is using support frames located above the blocks. This method also allows multi-level terminal blocks with short wiring paths to be connected in compliance with EMC requirements.

Modular terminal blocks

SK shield connection clamps

SK ... shield connection clamps

The screw-type shield connection clamps of the SK series are characterized by:

- Simple handling
- Knurled screw
- Spring-loaded, large pressure piece
- Suitable for direct and busbar mounting

Notes:
For dimensional drawings, see page 653.



Shield connection clamps for busbar mounting



Shield connection clamps for direct mounting

		Ordering data			Ordering data		
Description	Color	Type	Order No.	Pcs. / Pkt.	Type	Order No.	Pcs. / Pkt.
Shield connection clamp , for applying the shield to busbars, contact resistance < 1 mΩ							
Ø 2-5 mm, tightening torque 0.4 Nm	silver	SK 5	3025338	10			
Ø 3-8 mm, tightening torque 0.6 Nm	silver	SK 8	3025163	10			
Ø 3-14 mm, tightening torque 0.8 Nm	silver	SK 14	3025176	10			
Ø 5-20 mm, tightening torque 0.8 Nm	silver	SK 20	3025189	10			
Ø 5 - 28 mm, tightening torque 1 Nm	silver	SK 28	3026997	10			
Ø 20-35 mm, tightening torque 1.5-1.8 Nm	silver	SK 35	3026463	10			
Shield connection clamp , for applying the shield directly to the conductive mounting plates, plate thickness 1-2 mm							
Ø 2-5 mm, tightening torque 0.4 Nm	silver				SK 5-D	3025406	10
Ø 3-8 mm, tightening torque 0.6 Nm	silver				SK 8-D	3026861	10
Ø 3-14 mm, tightening torque 0.8 Nm	silver				SK 14-D	3026874	10
Ø 5-20 mm, tightening torque 0.8 Nm	silver				SK 20-D	3026887	10
Ø 5 - 28 mm, tightening torque 1 Nm	silver				SK 28-D	3027006	10
Ø 20-35 mm, tightening torque 1.5-1.8 Nm	silver				SK 35-D	3026890	10
		Accessories			Accessories		
PEN conductor busbar , 3 x 10 mm, 1 m long, material: copper, tin-plated, nominal current: 140 A							
		NLS-CU 3/10 SN 1000MM	0402174	10			

SKS ... shield connection clamps

- SKS ... spring shield connection clamps are available for cable and conductor diameters of between 3 and 20 mm
- Three different forms of mounting are possible: on NS 35 DIN rails, on busbars or directly on conductive mounting plates



Shield connection clamps for busbar and direct mounting



Shield connection clamps for DIN rail mounting

Notes:

For dimensional drawings, see page 653.



Ordering data		
Type	Order No.	Pcs. / Pkt.
Shield connection clamp , for applying the shield to busbars, contact resistance < 1 mΩ		
Ø 3-8 mm	silver	SKS 8
Ø 3-14 mm	silver	SKS 14
Ø 5-20 mm	silver	SKS 20
Shield connection clamp , for directly applying the shield to conductive mounting plates, metal thickness 1-2 mm, with fastening screw M4		
Ø 3-8 mm	silver	SKS 8-D
Ø 3-14 mm	silver	SKS 14-D
Ø 5-20 mm	silver	SKS 20-D
Shield connection clamp , with screwfix, mounting on DIN rail NS 35..., for shield support on busbars		
Ø 3-8 mm	silver	
Ø 3-14 mm	silver	
Ø 5-20 mm	silver	
Shield connection clamp , with snap-on foot, mounting on DIN rail NS 35..., for shield support on busbars		
Ø 3-8 mm	silver	
Ø 3-14 mm	silver	
Ø 5-20 mm	silver	

Ordering data		
Type	Order No.	Pcs. / Pkt.
SKS 8-NS35	3240210	10
SKS 14-NS35	3240211	10
SKS 20-NS35	3240212	10
SKS 8-NS35	3240216	10
SKS 14-NS35	3240217	10
SKS 20-NS35	3240218	10
SKS 8-SNS35	3062786	10
SKS 14-SNS35	3062799	10
SKS 20-SNS35	3062809	10

Accessories		
NLS-CU 3/10 SN 1000MM	0402174	10

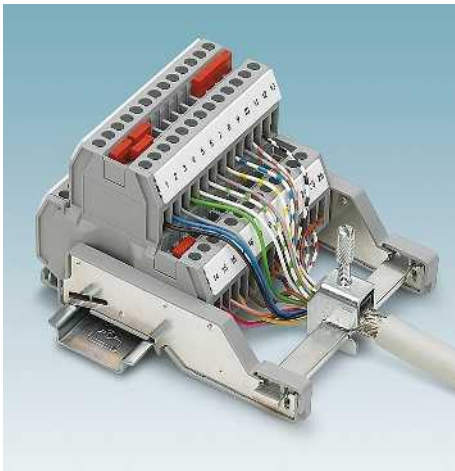
Accessories		
NLS-CU 3/10 SN 1000MM	0402174	10

PEN conductor busbar , 3 x 10 mm, 1 m long, material: copper, tin-plated, nominal current: 140 A

Modular terminal blocks

SK shield connection clamps

Support frame for shield support on one side



AB-SK TOP

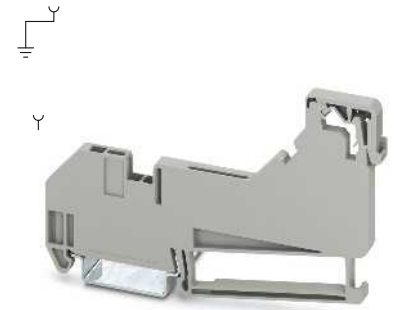
- For convenient shield connection, especially for single and multi-level terminal blocks and devices with a front connection
- The 3 x 10 mm rail can be mounted in the support frames vertically, horizontally and at a 45° angle for optimum conductor placing
- Compact design with 5.2 mm pitch
- Can be labeled with zack marker strip and KLM ... terminal strip markers; see Catalog 5
- Parking facility for FBS plug-in bridges
- End holder function
- For mounting SK and SKS shield connection clamps

AB-SK

- The AB-SK single-sided shield support frames are particularly suitable for space-saving conductor connection for terminal blocks and devices with cable entry at the side
- Available in two lengths
- For mounting SK shield connection clamps

AB-SKS

- For convenient shield connection, especially for single and multi-level terminal blocks and devices with a front connection
- Isolated to DIN rail
- End holder function
- For mounting SK and SKS shield connection clamps



Support frame, tall, for SK and SKS shield connection clamps

Dimensions	
	[mm]

General data	
Material	

Description	Color
-------------	-------

Support frame with end holder function, for mounting on NS 35..., direct contact with NS 35..., for accommodating 3 x 10 mm busbars, for SK and SKS shield connection clamps

gray

Support frame with end holder function, for mounting on NS 35..., isolated to NS 35..., for accommodating 3 x 10 mm busbars, for SK and SKS shield connection clamps

gray

Support frame, for mounting on NS 35..., direct contact with NS 35..., for accommodating 3 x 10 mm busbars, SK shield connection clamps

gray

Support frame, 65 mm, for mounting on NS 35..., direct contact with NS 35..., for accommodating 3 x 10 mm busbars, SK shield connection clamps

gray

Support frame with end holder function, for mounting on NS 35..., isolated to NS 35..., for accommodating 3 x 10 mm busbars, for SK and SKS shield connection clamps

gray

PEN conductor busbar, 3 x 10 mm, 1 m long, material: copper, tin-plated, nominal current: 140 A

silver

Lateral groove labeling

Technical data		
Width	Length	Height
5.2	102.4	

PA

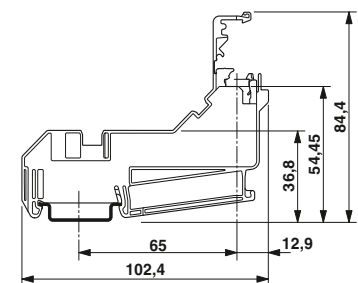
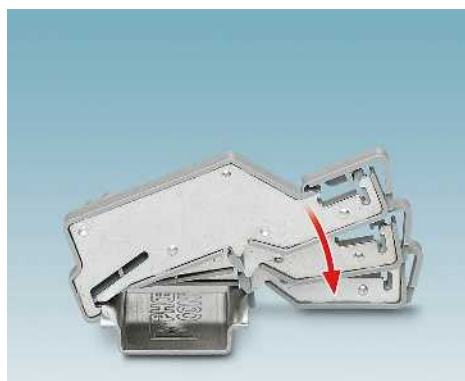
Ordering data

Type	Order No.	Pcs. / Pkt.
AB-SK TOP	3062090	10
AB-SK TOP INSULATED	3062074	10

Accessories

NLS-CU 3/10 SN 1000MM	0402174	10
-----------------------	---------	----

UC-TM 5, UCT-TM 5 or ZB 5
(see Catalog 5)
UC-TMF 5, UCT-TMF 5 or ZBF 5
(see Catalog 5)



AB-SK TOP



Support frame, for SK shield connection clamps



Support frame, 65 mm long, for SK shield connection clamps



Insulated support frame, tall, for SK and SKS shield connection clamps

Technical data		
Width	Length	Height
6.2	77.35	
PA		

Technical data		
Width	Length	Height
6.2	95.5	
PA		

Technical data		
Width	Length	Height
9.5	97.8	
PA		

Ordering data		
Type	Order No.	Pcs. / Pkt.
AB-SK	3025341	10

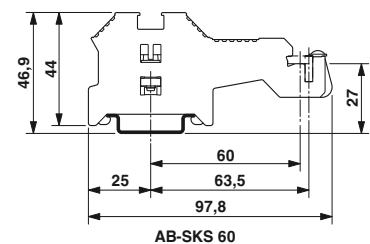
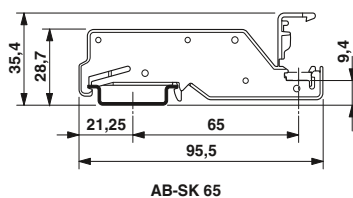
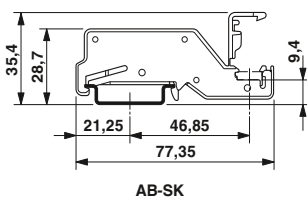
Ordering data		
Type	Order No.	Pcs. / Pkt.
AB-SK 65	3026489	10

Ordering data		
Type	Order No.	Pcs. / Pkt.
AB-SKS 60	3240223	10

Accessories		
NLS-CU 3/10 SN 1000MM	0402174	10

Accessories		
NLS-CU 3/10 SN 1000MM	0402174	10

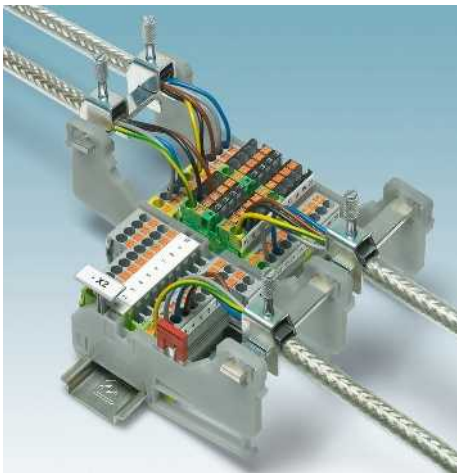
Accessories		
NLS-CU 3/10 SN 1000MM	0402174	10



Modular terminal blocks

SK shield connection clamps

Double support frame for shield support on both sides



AB-SK-D TOP

- For convenient shield connection, especially for single and multi-level terminal blocks and devices with a front connection
- The 3 x 10 mm rail can be mounted in the support frames vertically, horizontally and at a 45° angle for optimum conductor placing
- Compact design with 5.2 mm pitch
- Can be labeled with zack marker strip and KLM ... terminal strip markers; see Catalog 5
- Parking facility for bridges and plugs
- For mounting SK and SKS shield connection clamps

AB-SK 65-D

- The double shield support frames are particularly well suited to space-saving conductor connections for terminal blocks and devices with cable entry at the side
- Available in two lengths
- For mounting SK shield connection clamps



Double support frame, tall, for SK and SKS shield connection clamps

Dimensions	[mm]
Width	5.2
Length	155.8
Height	

General data	
Material	PA

Description	Color
Double support frame with end bracket function, for mounting on NS 35..., direct contact with NS 35..., for accommodating 3 x 10 mm busbars, for SK and SKS shield connection clamps	gray

Double support frame with end bracket function, for mounting on NS 35..., isolated to NS 35..., for accommodating 3 x 10 mm busbars, for SK and SKS shield connection clamps

Double support frame, for mounting on NS 35..., direct contact with NS 35..., for accommodating 3 x 10 mm busbars, SK shield connection clamps	gray
--	------

Double support frame, 65 mm, for mounting on NS 35..., isolated to NS 35... for accommodating 3 x 10 mm busbars, SK shield connection clamps

Double support frame, 65 mm, for mounting on NS 35..., isolated to NS 35... for accommodating 3 x 10 mm busbars, SK shield connection clamps	gray
--	------

PEN conductor busbar, 3 x 10 mm, 1 m long, material: copper, tin-plated, nominal current: 140 A

PEN conductor busbar, 3 x 10 mm, 1 m long, material: copper, tin-plated, nominal current: 140 A	silver
---	--------

Lateral groove labeling

Technical data		
Width	Length	Height
5.2	155.8	

Material	PA
----------	----

Ordering data

Type	Order No.	Pcs. / Pkt.
AB-SK-D TOP	3062100	10

AB-SK-D TOP	3062100	10
-------------	---------	----

AB-SK-D TOP	3062100	10
-------------	---------	----

AB-SK-D TOP	3062100	10
-------------	---------	----

AB-SK-D TOP	3062100	10
-------------	---------	----

AB-SK-D TOP	3062100	10
-------------	---------	----

AB-SK-D TOP	3062100	10
-------------	---------	----

AB-SK-D TOP	3062100	10
-------------	---------	----

AB-SK-D TOP	3062100	10
-------------	---------	----

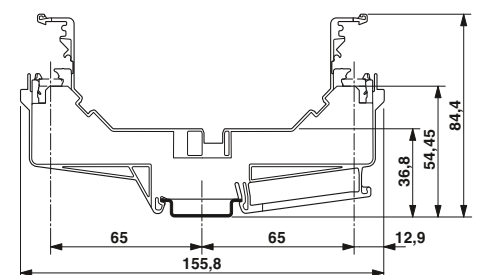
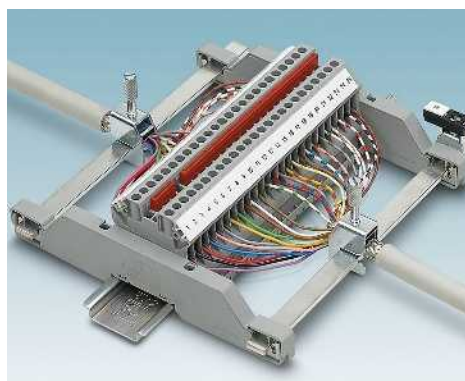
Accessories

NLS-CU 3/10 SN 1000MM	0402174	10
-----------------------	---------	----

NLS-CU 3/10 SN 1000MM	0402174	10
-----------------------	---------	----

UC-TM 5, UCT-TM 5 or ZB 5 (see Catalog 5)

UC-TMF 5, UCT-TMF 5 or ZBF 5 (see Catalog 5)



AB-SK-D TOP



Isolated, double support frame, tall, for SK and SKS shield connection clamps

Double support frame, tall, for SK shield connection clamps

Insulated, double support frame, tall, for SK shield connection clamps

Technical data		
Width	Length	Height
5.2	155.8	
PA		

Technical data		
Width	Length	Height
8.2	150	
PA		

Technical data		
Width	Length	Height
8.2	150	
PA		

Ordering data		
Type	Order No.	Pcs. / Pkt.

Ordering data		
Type	Order No.	Pcs. / Pkt.

Ordering data		
Type	Order No.	Pcs. / Pkt.

AB-SK-D TOP INSULATED	3062087	10
-----------------------	---------	----

AB-SK 65-D	3026900	10
------------	---------	----

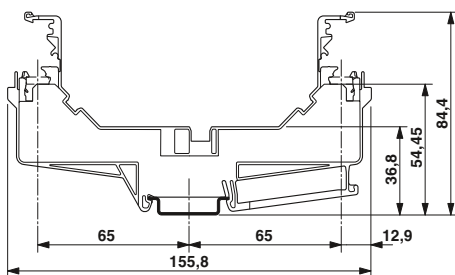
AB-SK 65-D INSULATED	3040889	10
----------------------	---------	----

Accessories		
NLS-CU 3/10 SN 1000MM	0402174	10

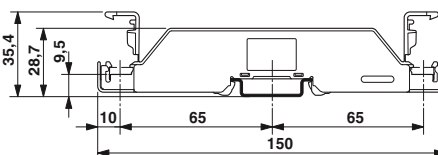
Accessories		
NLS-CU 3/10 SN 1000MM	0402174	10

Accessories		
NLS-CU 3/10 SN 1000MM	0402174	10

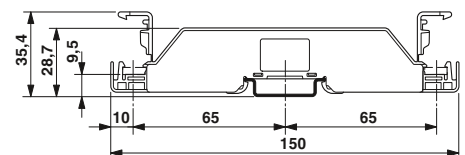
UC-TM 5, UCT-TM 5 or ZB 5
(see Catalog 5)
UC-TMF 5, UCT-TMF 5 or ZBF 5
(see Catalog 5)



AB-SK-D TOP INSULATED



AB-SK 65-D



AB-SK 65-D INSULATED

Modular terminal blocks

SK shield connection clamps

Support frame for direct mounting

The support frames are available in the following versions:

- AB/SS for isolated installation on the mounting plate
- AB/SS-M for non-isolated installation on the mounting plate
- For mounting SK and SKS shield connection clamps

Notes:
For dimensional drawings, see www.phoenixcontact.net/products

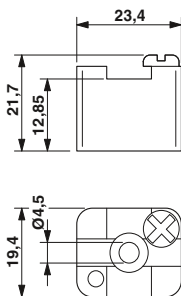


Support frame for SK shield connection clamps

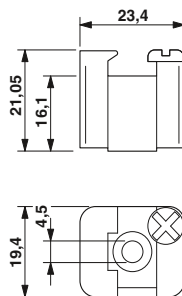


Support frame for SK and SKS shield connection clamps

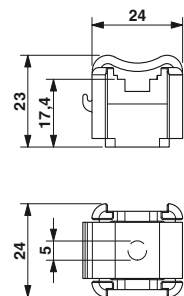
General data		Technical data			Technical data		
Material		PA			PA		
Description		Ordering data			Ordering data		
Color		Type	Order No.	Pcs. / Pkt.	Type	Order No.	Pcs. / Pkt.
Support , insulated, with retaining screw, for 3 x 10 mm or 6 x 6 mm busbars gray		AB/SS	0404428	10			
Support , with contact to the mounting plate, with retaining screw, for 3 x 10 mm busbars gray		AB/SS-M	3025888	10			
Support , insulated, for 3 x 10 mm or 6 x 6 mm busbars gray					AB/SKS	3240224	10
PEN conductor busbar, 3 x 10 mm, 1 m long, material: copper, tin-plated, nominal current: 140 A		Accessories			Accessories		
silver		NLS-CU 3/10 SN 1000MM	0402174	10	NLS-CU 3/10 SN 1000MM	0402174	10



AB/SS



AB/SS-M

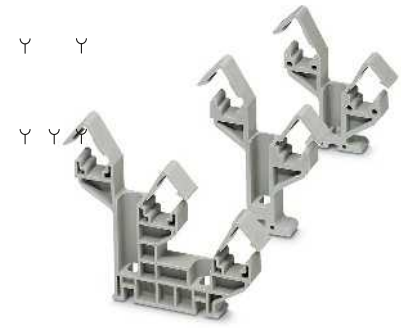


AB/SKS

Multi-level support for direct mounting



- Double and triple support frames for different busbars
- The type supports extremely compact design with large amounts of wiring, e.g., for multi-level front connection terminal blocks
- Support frames are insulated
- Direct mounting



Support, multi-level, insulated

General data	
Material	

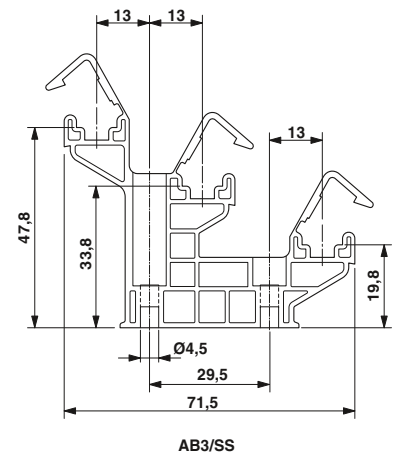
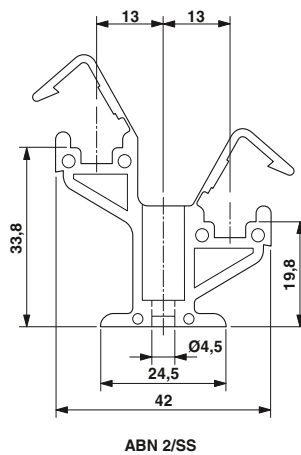
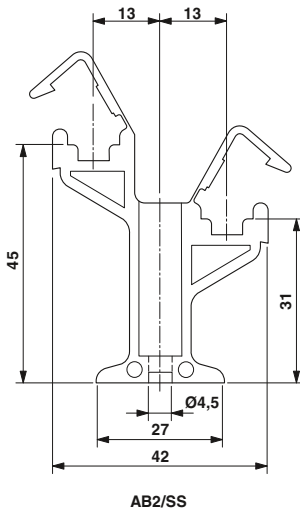
Description	Color
Double support , insulating material, optionally for use with 3 x 10 mm or 6 x 6 mm neutral busbar	
Height 48 mm	gray
Height 36.8 mm	gray
Triple support frame , made from insulation material	gray

PEN conductor busbar , 3 x 10 mm, 1 m long, material: copper, tin-plated, nominal current: 140 A	silver
PEN conductor busbar , in accordance with DIN VDE 0611-4, 6 x 6 mm, 1 m long, material: copper, tin-plated, nominal current: 140 A	silver

Technical data		
PA		

Ordering data		
Type	Order No.	Pcs. / Pkt.
AB2/SS	0404431	10
ABN 2/SS	0404460	10
AB3/SS	0800086	10

Accessories		
NLS-CU 3/10 SN 1000MM	0402174	10
NLS-CU 6/ 6 SN 1000MM	0402161	10



Modular terminal blocks

SK shield connection clamps

Support frame for direct and DIN rail mounting

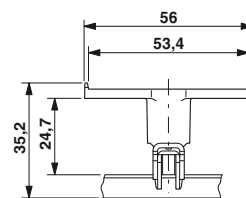


- T-shaped support frames for space-saving direct mounting and free positioning on the mounting plate
- Suitable for SK 5 to SK 14, SKS 8, and SKS 14 shield connection clamps
- Version for NS 35 DIN rail mounting

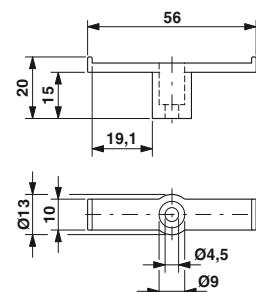


General data	
Material	Aluminum
Description	Color
Support , for direct mounting with contacting on the mounting surface	silver
Support frame , for mounting on NS 35 DIN rails	silver

Technical data		
Ordering data		
Type	Order No.	Pcs. / Pkt.
AB-SK/E	3026476	10
AB-SK/E-NS 35	3213111	10



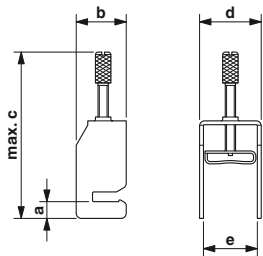
AB-SK/E-NS 35



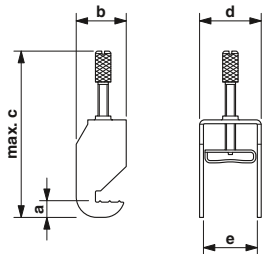
AB-SK/E

SK shield connection clamps

Dimensions in mm					
	a	b	c	d	e
SK 5	6.5	19.5	46.8	9	6
SK 8	6.5	19.5	48.7	12	9
SK 14	6.5	19.5	59.3	17	14
SK 20	6.5	19.5	75	24	21
SK 28	6.5	20	93	32	28
SK 35	6.5	20	106.5	40	36
SK 5-D	6.5	19.5	46.8	9	6
SK 8-D	6.5	19.5	47.2	12	9
SK 14-D	6.5	19.5	57.8	17	14
SK 20-D	6.5	19.5	73.5	24	21
SK 28-D	6.5	20	91.5	32	28
SK 35-D	6.5	20	105.0	41	36



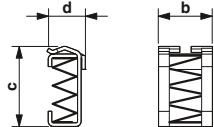
SK ...



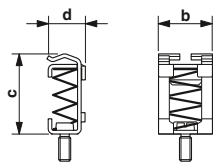
SK ...-D

SKS shield connection clamps

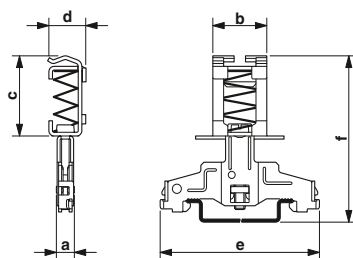
Dimensions in mm						
	a	b	c	d	e	f
SKS 8	-	18	26	12.4	-	-
SKS 14	-	21	32	19	-	-
SKS 20	-	27	40.5	24.7	-	-
SKS 8-D	-	18	26	12.4	-	-
SKS 14-D	-	21	32	19	-	-
SKS 20-D	-	27	40.5	24.7	-	-
SKS 8-NS35	6	18	26	12.4	52	54
SKS 14-NS35	6	21	32	19	52	60
SKS 20-NS35	6	27	40.5	24.7	52	68.4



SKS ...



SKS ...-D

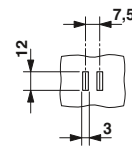


SKS ...-NS35

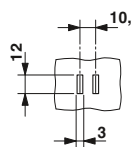
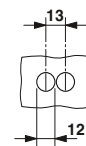
Drilling and punching patterns for SK...-D

Punching template

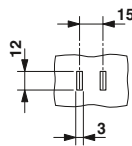
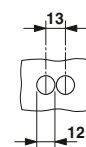
Drilling plan



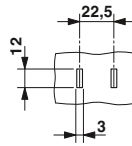
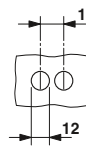
SK 5-D



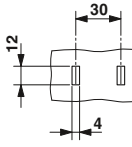
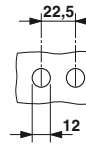
SK 8-D



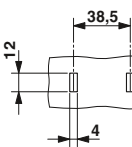
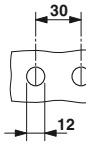
SK 14-D



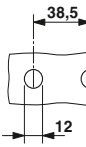
SK 20-D

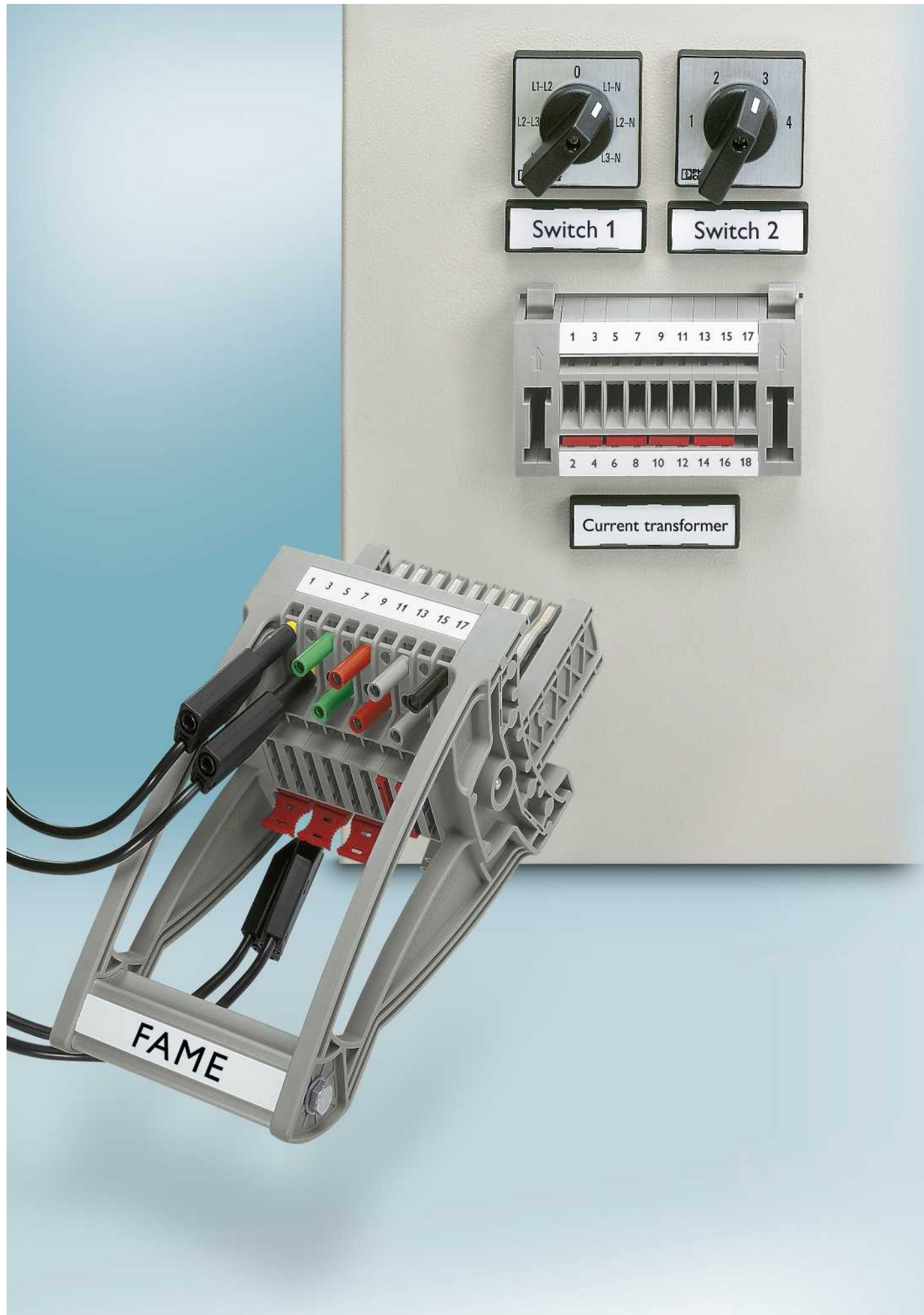


SK 28-D



SK 35-D





Sector-specific solutions

CLIPLINE complete provides the right modular terminal block system for every sector.

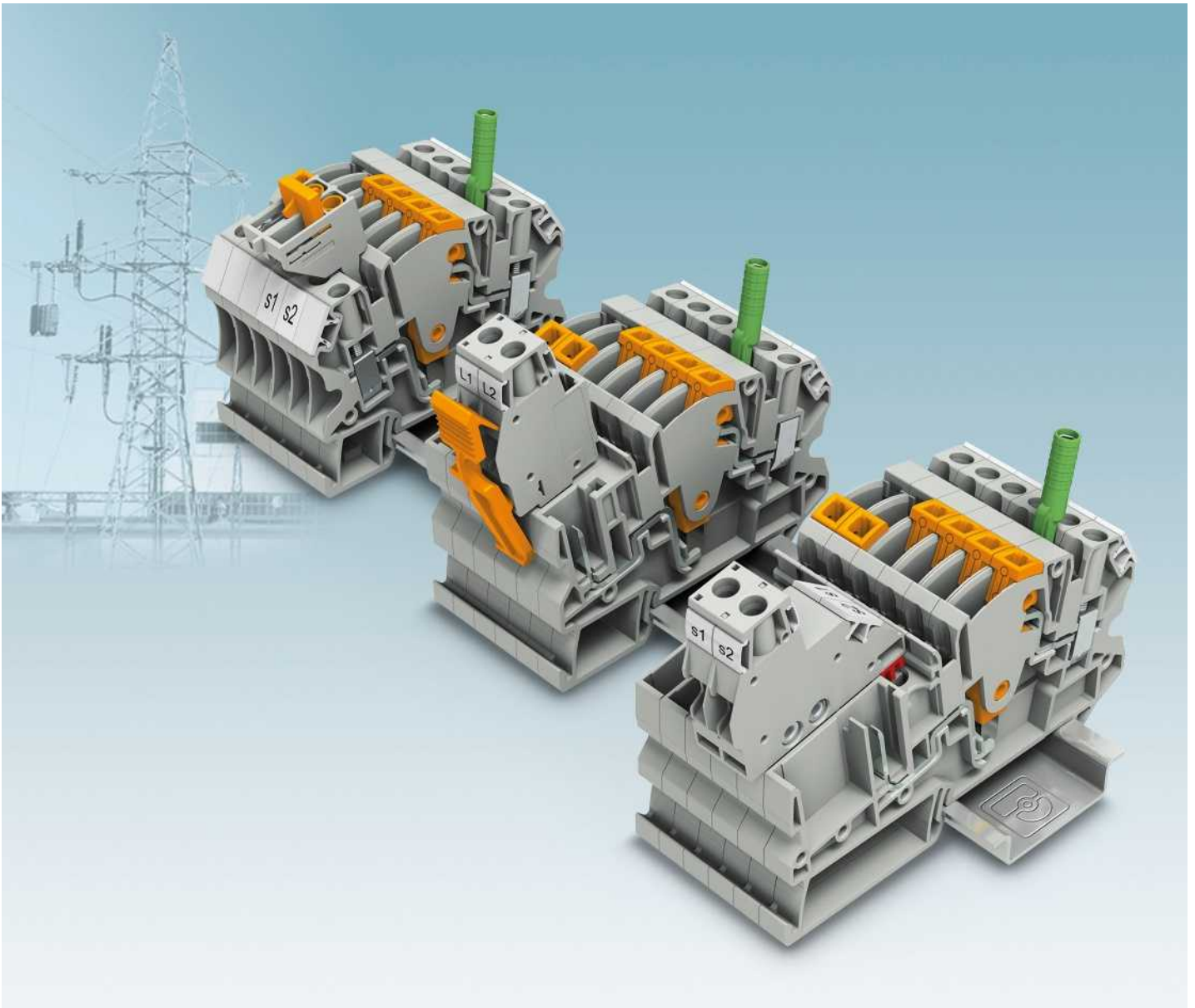
The various connection technologies cover the requirements of all applications and uses. Numerous international approvals and comprehensive standard tests ensure safe usage in all branches of industry.

Even special requirements, such as those affecting the railway industry, shipbuilding or explosion-protected areas of process engineering, are taken into account.

We also offer innovative solutions for sector-specific requirements, such as products for current transformer test circuits in energy technology as well as tailor-made solutions for photovoltaics and building installation.

Product range overview

Solutions for energy technology	656
Test disconnect terminal blocks for DIN rail mounting	656
Measuring transducer blocks for wall mounting	658
Rotary switches	676
Solutions for photovoltaics	690
Solutions for building installation	692

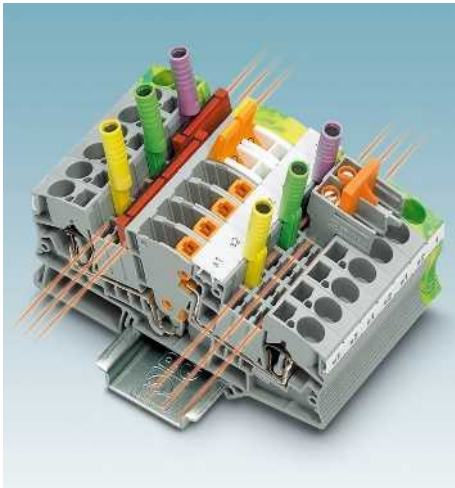


Phoenix Contact has provided the power supply sector with test disconnect terminal blocks for all current transformer and voltage transducer applications for many decades. In addition to the standard modular terminal blocks, the test disconnect terminal blocks are an integral part of the Phoenix Contact product portfolio. The new ME series test disconnect terminal blocks from the CLIPLINE complete system enable the easy and individual structuring of measuring transducer sets. The plug-in accessories for testing and short circuiting the current transformers as well as the potential distribution can be placed within the terminal strip in accordance with the application. All switching statuses within the terminal strip are clearly visible.

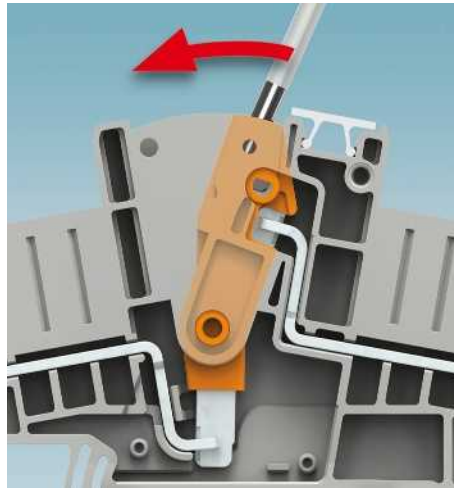
Consistent use of plug-in CLIPLINE complete system accessories helps to reduce mounting and storage costs. This series is also available with screw, spring-cage, and push-in connection technology. The current transformers and voltage transducers can be wired in a particularly convenient way thanks to the plug-in test disconnect terminal blocks. When the patented current transformer plugs are removed, an automatically leading short circuit is ensured. By using the appropriate coding and strain relief accessories, the measuring transducers can also be connected in a modular and plug-in fashion.

This means that these test disconnect terminal blocks are ideally suited to control and measuring technology - from the counter (smart metering) right up to the secondary technology of switchgear and power stations.

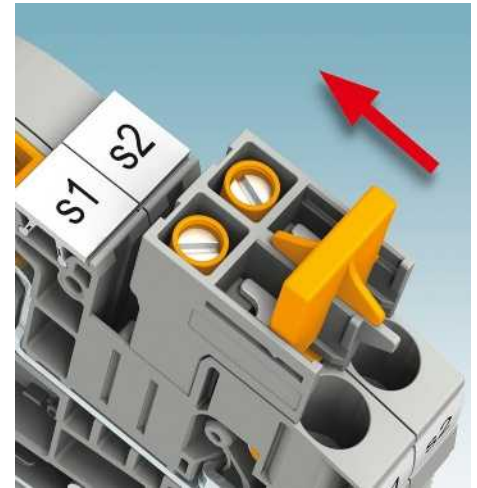
The corresponding test disconnect terminal blocks can be found in the relevant sections covering the specific connection technology.



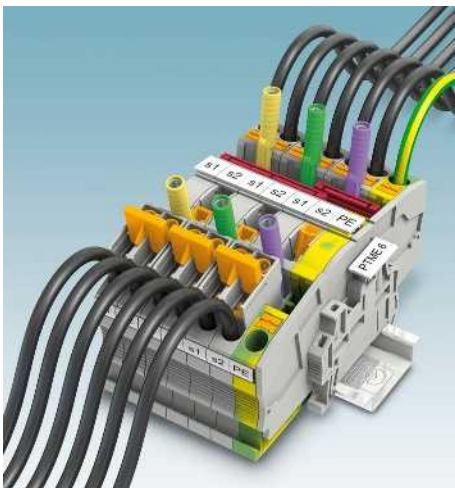
The triple function shaft on both longitudinal sides enables the manual placement of bridge, test, and switching accessories. Non-adjacent plug-in bridges also allow the star point to be formed conveniently within the terminal strip, without the need for additional wire jumpers.



The lengthwise disconnect reliably makes contact and latches with a swiveling movement in the respective switching state. Switching symbols and optional switching locks also ensure a clear overview within the measuring transducer terminal strip.



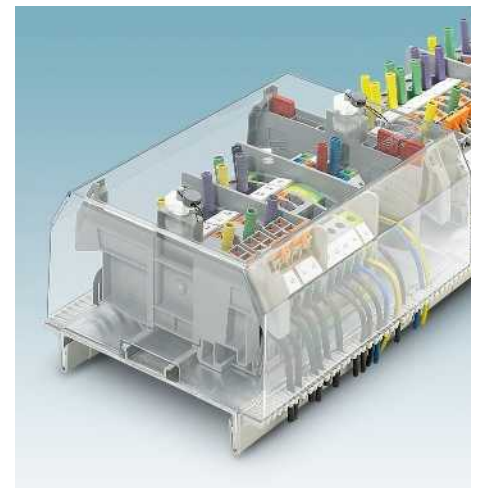
The plug-in current transformer short-circuit jumpers can be used individually, based on the switching task, in the function shafts of the terminal blocks. The switching jumper disconnect element is operated with a screwdriver, which means that the switching operation is only ever activated intentionally.



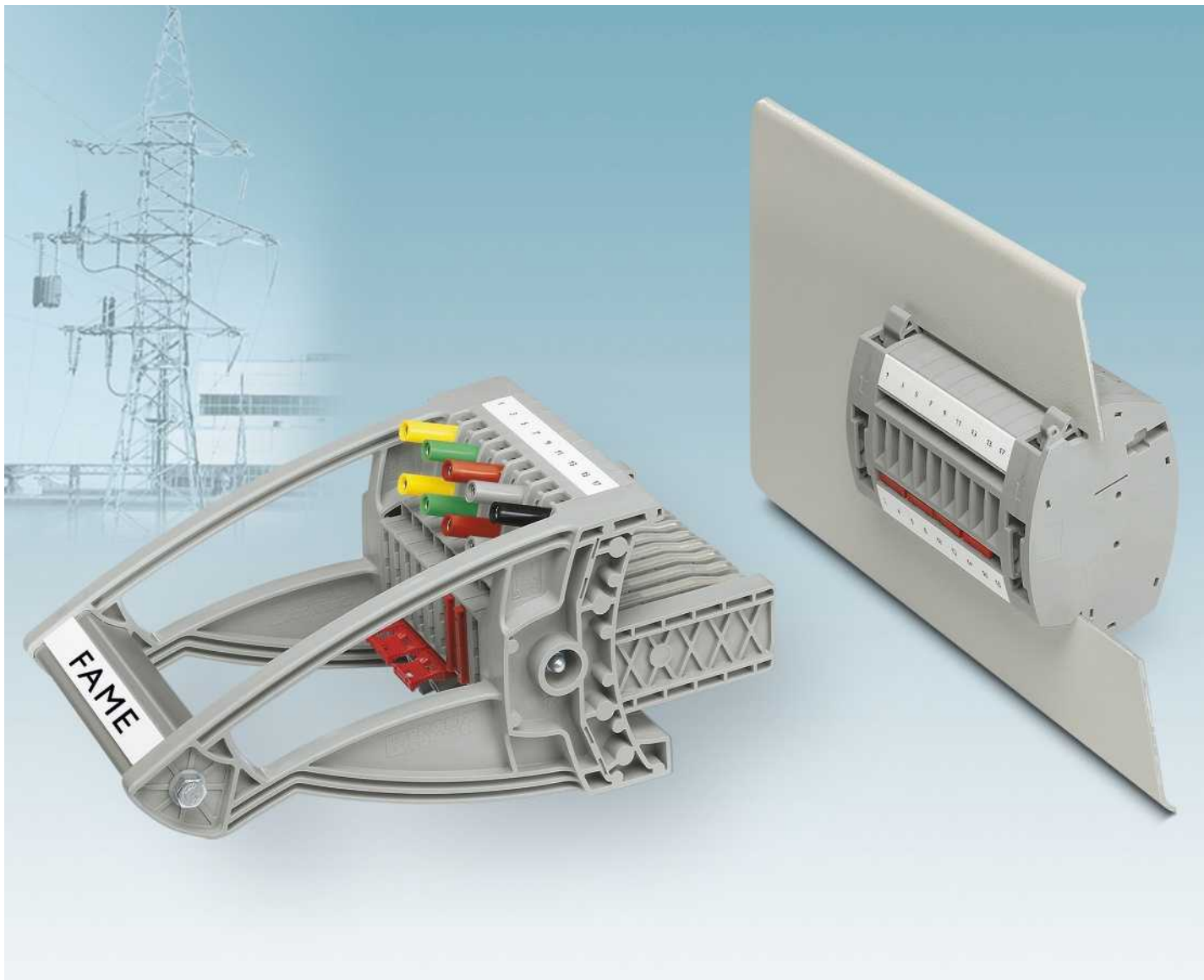
Feed-through and PE terminal blocks of the same shape are also available for the test/disconnect terminal blocks. They simplify the addition of attachments to the terminal strip and also enable convenient star point grounding within the terminal strip.



The plug-in current transformer disconnect terminal blocks and plugs also enable the safe plug-in wiring of current transformers. When the transformer plug is removed, a leading current transformer short circuit is automatically ensured. Additional coding accessories prevent the polarity of the plug from being reversed.



Cover profiles and covering hoods are available as accessories. These can be mounted and sealed on the measuring transducer strip in a way which protects them against external influences and manipulation.



Switchable terminal blocks in a wide range of designs for energy generation and distribution have been part of the modular terminal block product range for decades. These terminal blocks are specifically tailored to the test circuits in current transformer and voltage transducer secondary circuits. Manual switching operations short circuit current transformers prior to measurements being taken.

The FAME test system represents the further development of these switchable terminal blocks. The system consists of a test block built into the control cabinet panel and the associated power and test plugs.

It is characterized by:

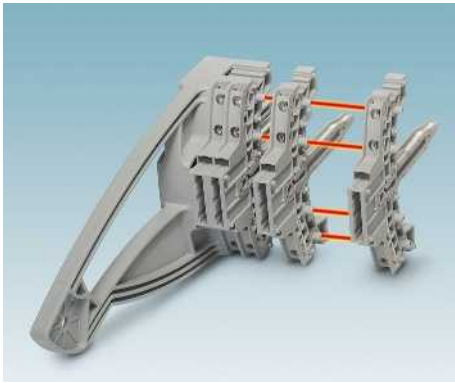
- Modular design
- Easy panel mounting
- Automatic transformer short circuit

Thanks to its modular design, FAME is a flexible system which can be used to implement any conceivable number of positions. This means that the right solution is available for every circuit diagram.

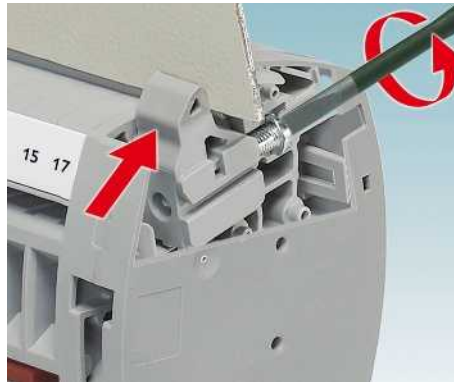
Panel mounting enables installation in the control cabinet door. This allows tests to be carried out without having to access the inside of the control cabinet (wiring level), which eliminates the possibility of modifications or manipulation.

The transformer short circuit is at the heart of the system and is implemented automatically when the power or test plug is removed. This increases the level of safety considerably during current transformer and protective device testing.

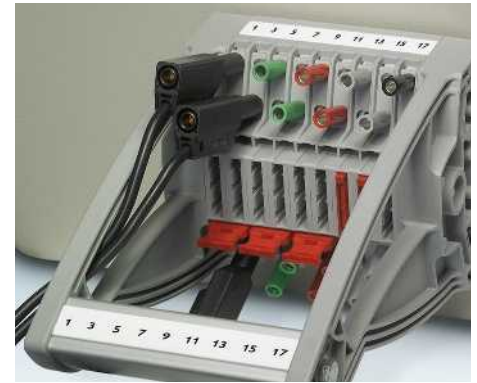
The system is configured for current transformer and voltage transducer applications using bridges and test plugs from the CLIPLINE complete system.



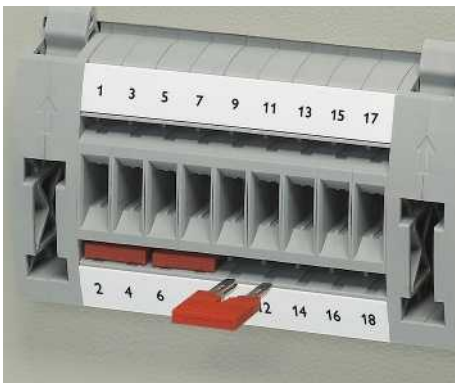
The compact and modular design of the system, as well as the plugs and test blocks, provides the right number of positions for every application.



The patented wall fastening is easy to use and has a robust design. Large tolerances in the plate cutout of up to 4 mm are compensated for by the eccentric function.



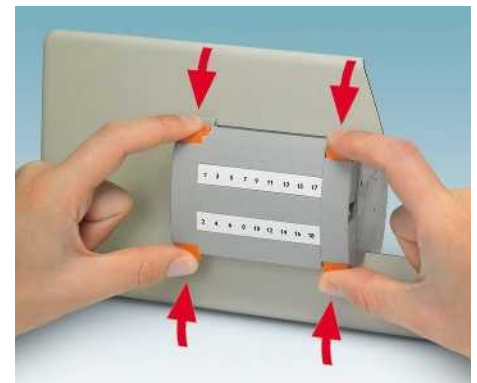
Thanks to the optional use of plug-in bridges, all test circuits can be implemented in the plug. Staggered test sockets enable the use of safety test leads in a confined space.



The transducer block offers two function shafts for short-circuit jumpering on the control cabinet exterior. The power plug safely covers the short-circuit jumpers in normal operation.



In addition to the two marking grooves, the test blocks also offer two function shafts inside the control cabinet, which are used, for example, to form the star point with the help of plug-in bridges.



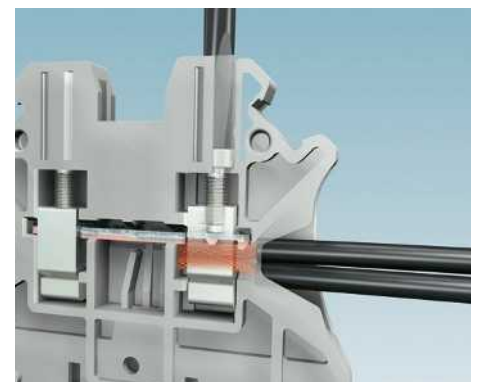
The robust latching of the power plug can only be released with two-hand operation.



The power plug is protected against unauthorized actuation thanks to the optional seal.



Large-surface labeling options on the inside and outside of the control cabinet enable the clear identification of each terminal point.



The screw connection is characterized by three main features.

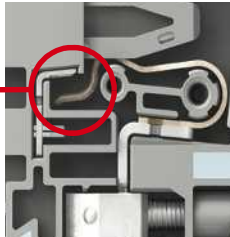
- Global standard
- Multi-conductor connection
- Zero maintenance thanks to Reakdyn principle

FAME – safe in every operating state

The new, modular FAME measuring transducer test system enables all transformer testing tasks to be carried out quickly and safely. The automatically generated transformer short circuit and the shock-proof design ensure the highest degree of safety during measurement.

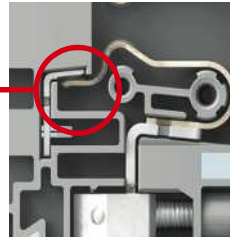
Normal operation

Switch contact open



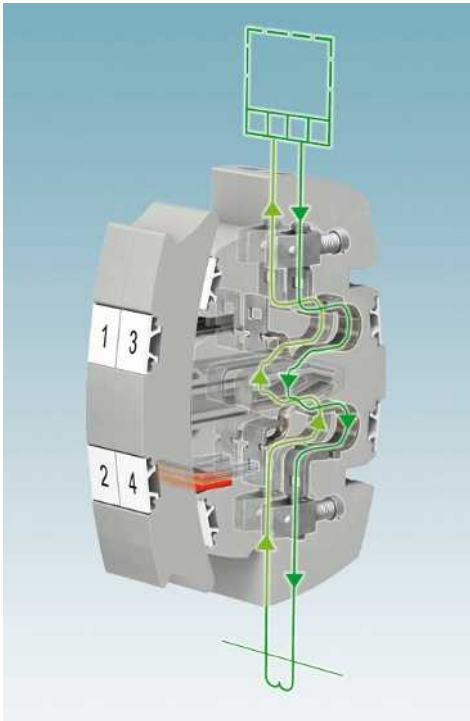
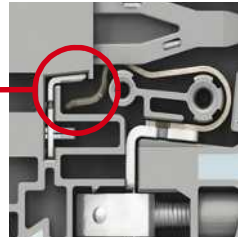
Transformer short circuit

Switch contact closed

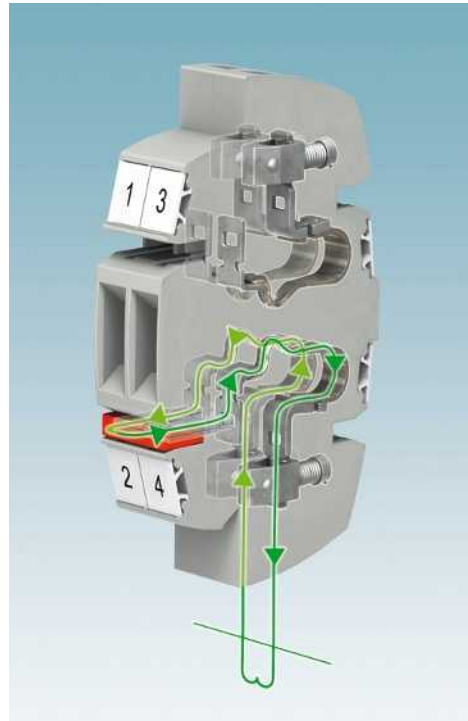


Test operation

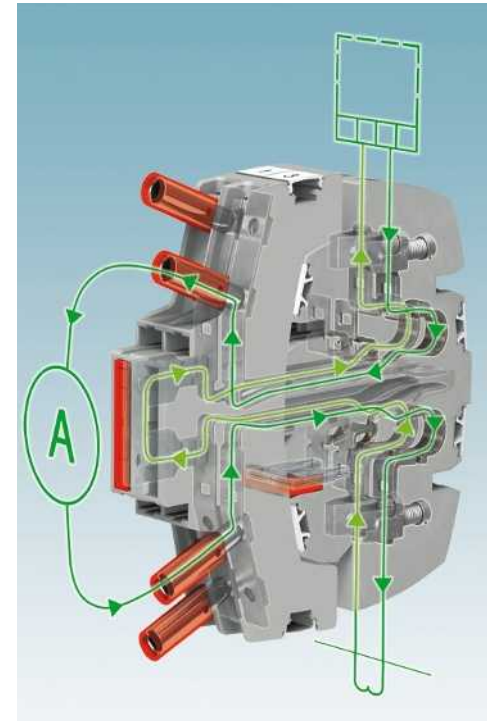
Switch contact open



When the power plug is used, the transformer short circuit is automatically overridden and the measuring transducer operates safely.

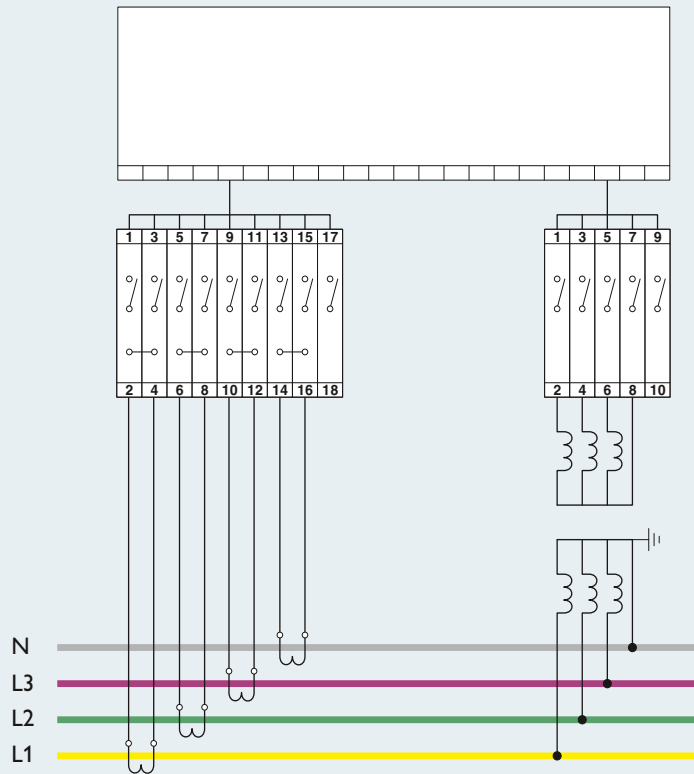


If the plug is removed, the integrated switch contact automatically establishes a leading short circuit. Connected measuring transducers are safely protected against damage.

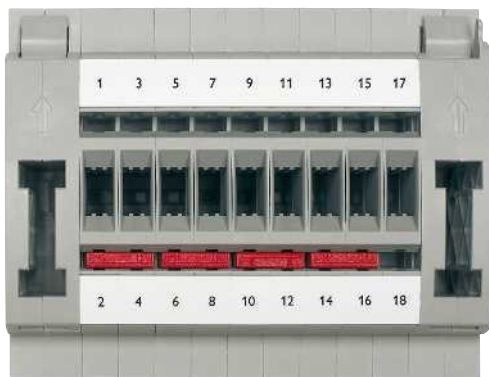


When inserting the test plug, the ammeter connected to the test plug is first of all looped into the circuit. Then the transformer short circuit is automatically overridden.

Circuit example
Current transformers and voltage transducers



FAME test block for current transformers



FAME test block for voltage transducers



Test block, power plug, test plug

Order No.	Type	Required quantity
3069064	UTWE 6/8+1	1
3069297	FWP 8+1	1
3069242	FTP 8+1	1

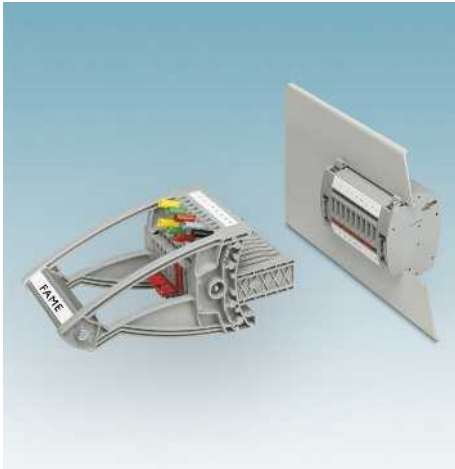
Test block, power plug, test plug

Order No.	Type	Required quantity
3069048	UTWE 6/4+1	1
3069271	FWP 4+1	1
3069223	FTP 4+1	1

Plug-in bridge

3030284	FBS 2-8	4
---------	---------	---

UTWE 6/4+1 BI measuring transducer block, 5-pos. for standard panel cut-out with plug



The modular FAME measuring transducer test system enables all transformer testing tasks to be carried out quickly and safely. The automatically generated transformer short circuit and the shock-proof design ensure the highest degree of safety during measurement. In addition to the advantages described in the introduction, the system is characterized by the following:

- The test blocks can be used universally for voltage transducers and current transformers
- The integrated, robust switch contact is designed for the most stringent demands, and the use of high-grade materials guarantees the transmission of signal currents, even after multiple actuations
- The robustly designed test plug guarantees user-friendly handling and provides fixing options for the test leads to be connected
- Space-saving design, with a pitch of just 8.2 mm and a 10 mm² screw connection
- FAME 6/...BI test blocks are available for standard panel cutouts
- The dummy plug serves as a protective cover for the test block when the power plug is unplugged
- Adapter for mounting on NS 35... DIN rail

See www.phoenixcontact.net/products

Notes:
For further plug-in bridges, test adapters, test sockets, and plugs for use with screw test sockets, see www.phoenixcontact.net/products .
Derating curve on request.
To create panel cutouts, see www.phoenixcontact.net/products .
1) Rated surge voltage: 4 kV.



6 (10) mm², 30 A, measuring transducer block, 5-pos.



Max. electrical data	
Rated data	
Rated voltage	[V] 400 ¹⁾
Nominal current / cross section	[A] / [mm ²] 24 / 6
Rated cross section	[mm ²] 6
Cross section range	AWG 24 - 8
Connection capacity	
1 conductor	[mm ²] 0.2 - 10
Two conductors (of the same type)	[mm ²] 0.2 - 2.5
Two stranded conductors with a TWIN ferrule	[mm ²] 0.25 - 1.5
General data	
Stripping length	[mm] 10
Screw thread	M4
Tightening torque	[Nm] 1.5 - 1.8
Tightening torque for wall fastening	[Nm] 0.8 - 1
Panel thickness	[mm] 1 - 4
Tightening torque: test socket screw	[Nm] -
Insulating material	PA
Inflammability class according to UL 94	V0

Description	No. of pos.	Color
Measuring transducer block		gray
Power plug		gray
Test plug		gray
Dummy plug		orange

Plug-in bridge	No. of pos.	Color
	2	red
	3	red
	4	red
	5	red
	6	red
	10	red

Pre-assembled bridge, labeled	No. of pos.	Color
3-pos., positions 1, 3	2	red
4-pos., positions 1, 4	2	red
5-pos., positions 1, 3, 5	3	red
10-pos. positions 1, 4, 7, 10	4	red

Plug-in bridge, with extraction tool	No. of pos.	Color
	2	red
	3	red
	4	red

Test adapter, for 4-mm-Ø safety test plug, snapped into bridge shaft	Color
	orange

Female test plug, insulated	Color
	transparent
	red
	green
	yellow
	black
Fork-type cable lug, non-isolated DIN 46234	silver

Screwdriver
SF-SL 0,8X4,0-100

Lateral groove labeling
UC-TM 8, UCT-TM 8 or ZB 8 (see Catalog 5)

Technical data

I _{max} [A]	U _{max} [V]	max. Ø [mm ²]	AWG
30	400 ¹⁾	0.2 - 10	24 - 8
IEC 60947-7-1			
IEC	UL/CUL	CSA	IEC/EN 60079-7
400 ¹⁾	-	-	-
24 / 6	- / -	-	-
6	-	-	-
24 - 8	-	-	-
Connection capacity		Ferrule	
solid	stranded	Without / with plastic sleeve	
0.2 - 10	0.2 - 10	0.25 - 6	0.25 - 6
0.2 - 2.5	0.2 - 2.5	0.25 - 1.5	-
			0.5 - 2.5

Ordering data

Type	I _{max}	Order No.	Pcs. / Pkt.
UTWE 6/4+1 BI		3070008	5

Accessories

FBS	Current	Order No.	Pcs.
FBS 2-8	24 A	3030284	10
FBS 3-8	24 A	3030297	10
FBS 4-8	24 A	3030307	10
FBS 5-8	24 A	3030310	10
FBS 6-8	24 A	3032470	10
FBS 10-8	24 A	3030323	10

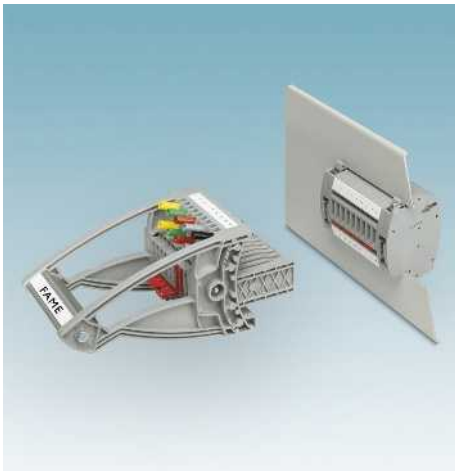
FBS	Current	Order No.	Pcs.
FBS 1/3-8	24 A	3032363	10
FBS 1/4-8	24 A	3032376	10
FBS 1/3/5-8	24 A	3032389	10
FBS 1/4/7/10-8	24 A	3032402	10

PAI-4-FIX OG	Order No.	Pcs.
	3034455	10

SF-SL 0,8X4,0-100	Order No.	Pcs.
	1212551	10

UC-TM 8, UCT-TM 8 or ZB 8 (see Catalog 5)

UTWE 6/5+1 measuring transducer block, 6-pos. with plug



The modular FAME measuring transducer test system enables all transformer testing tasks to be carried out quickly and safely. The automatically generated transformer short circuit and the shock-proof design ensure the highest degree of safety during measurement. In addition to the advantages described in the introduction, the system is characterized by the following:

- The test blocks can be used universally for voltage transducers and current transformers
- The integrated, robust switch contact is designed for the most stringent demands, and the use of high-grade materials guarantees the transmission of signal currents, even after multiple actuations
- The robustly designed test plug guarantees user-friendly handling and provides fixing options for the test leads to be connected
- Space-saving design, with a pitch of just 8.2 mm and a 10 mm² screw connection
- FAME 6/...BI test blocks are available for standard panel cutouts
- The dummy plug serves as a protective cover for the test block when the power plug is unplugged
- Adapter for mounting on NS 35... DIN rail

See www.phoenixcontact.net/products

Notes:
For further plug-in bridges, test adapters, test sockets, and plugs for use with screw test sockets, see www.phoenixcontact.net/products .
Derating curve on request.
To create panel cutouts, see www.phoenixcontact.net/products .
1) Rated surge voltage: 4 kV.



6 (10) mm², 30 A, measuring transducer block base, 6-pos.

Max. electrical data	
Rated data	
Rated voltage	[V] 400 ¹⁾
Nominal current / cross section	[A] / [mm ²] 24 / 6
Rated cross section	[mm ²] 6
Cross section range	AWG 24 - 8
Connection capacity	
1 conductor	[mm ²] 0.2 - 10
Two conductors (of the same type)	[mm ²] 0.2 - 2.5
Two stranded conductors with a TWIN ferrule	[mm ²] 0.25 - 1.5
General data	
Stripping length	[mm] 10
Screw thread	M4
Tightening torque	[Nm] 1.5 - 1.8
Tightening torque for wall fastening	[Nm] 0.8 - 1
Panel thickness	[mm] 1 - 4
Tightening torque: test socket screw	[Nm] -
Insulating material	PA
Inflammability class according to UL 94	V0

Description	No. of pos.	Color
Measuring transducer block		gray
Power plug		gray
Test plug		gray
Dummy plug		orange

Plug-in bridge	No. of pos.	Color
	2	red
	3	red
	4	red
	5	red
	6	red
	10	red

Pre-assembled bridge, labeled	No. of pos.	Color
3-pos., positions 1, 3	2	red
4-pos., positions 1, 4	2	red
5-pos., positions 1, 3, 5	3	red
10-pos. positions 1, 4, 7, 10	4	red

Plug-in bridge, with extraction tool	No. of pos.	Color
	2	red
	3	red
	4	red

Test adapter, for 4-mm-Ø safety test plug, snapped into bridge shaft	Color
	orange

Female test plug, insulated	Color
	transparent
	red
	green
	yellow
	black
Fork-type cable lug, non-isolated DIN 46234	silver

Screwdriver
SF-SL 0,8X4,0-100

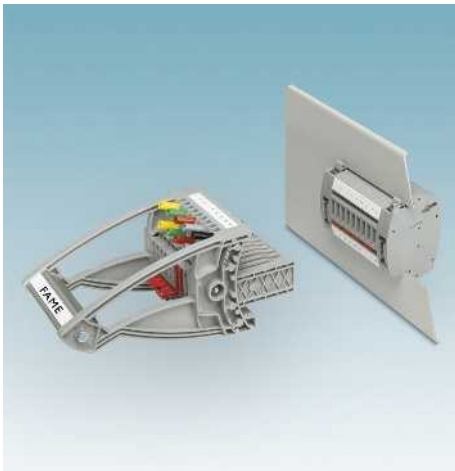
Lateral groove labeling
UC-TM 8, UCT-TM 8 or ZB 8 (see Catalog 5)

Technical data			
I _{max} [A]	U _{max} [V]	max. Ø [mm ²]	AWG
30	400 ¹⁾	0.2 - 10	24 - 8
IEC 60947-7-1			
IEC	UL/CUL	CSA	IEC/EN 60079-7
Ferrule			
Without / with plastic sleeve			
0.2 - 10	0.2 - 10	0.25 - 6	0.25 - 6
0.2 - 2.5	0.2 - 2.5	0.25 - 1.5	-
			0.5 - 2.5

Ordering data			
Type	I _{max}	Order No.	Pcs. / Pkt.
UTWE 6/5+1		3069049	5

Accessories			
Accessories	I _{max}	Order No.	Pcs. / Pkt.
FBS 2-8	24 A	3030284	10
FBS 3-8	24 A	3030297	10
FBS 4-8	24 A	3030307	10
FBS 5-8	24 A	3030310	10
FBS 6-8	24 A	3032470	10
FBS 10-8	24 A	3030323	10
FBS 1/3-8	24 A	3032363	10
FBS 1/4-8	24 A	3032376	10
FBS 1/3/5-8	24 A	3032389	10
FBS 1/4/7/10-8	24 A	3032402	10
PAI-4-FIX OG		3034455	10
SF-SL 0,8X4,0-100		1212551	10

UTWE 6/6+1 measuring transducer block, 7-pos. with plug



The modular FAME measuring transducer test system enables all transformer testing tasks to be carried out quickly and safely. The automatically generated transformer short circuit and the shock-proof design ensure the highest degree of safety during measurement. In addition to the advantages described in the introduction, the system is characterized by the following:

- The test blocks can be used universally for voltage transducers and current transformers
- The integrated, robust switch contact is designed for the most stringent demands, and the use of high-grade materials guarantees the transmission of signal currents, even after multiple actuations
- The robustly designed test plug guarantees user-friendly handling and provides fixing options for the test leads to be connected
- Space-saving design, with a pitch of just 8.2 mm and a 10 mm² screw connection
- FAME 6/...BI test blocks are available for standard panel cutouts
- The dummy plug serves as a protective cover for the test block when the power plug is unplugged
- Adapter for mounting on NS 35... DIN rail

See www.phoenixcontact.net/products

Notes:
For further plug-in bridges, test adapters, test sockets, and plugs for use with screw test sockets, see www.phoenixcontact.net/products .
Derating curve on request.
To create panel cutouts, see www.phoenixcontact.net/products .
1) Rated surge voltage: 4 kV.



6 (10) mm², 30 A, measuring transducer block base, 7-pos.



Max. electrical data	
Rated data	
Rated voltage	[V] 400 ¹⁾
Nominal current / cross section	[A] / [mm ²] 24 / 6
Rated cross section	[mm ²] 6
Cross section range	AWG 24 - 8
Connection capacity	
1 conductor	[mm ²] 0.2 - 10
Two conductors (of the same type)	[mm ²] 0.2 - 2.5
Two stranded conductors with a TWIN ferrule	[mm ²] 0.25 - 1.5
General data	
Stripping length	[mm] 10
Screw thread	M4
Tightening torque	[Nm] 1.5 - 1.8
Tightening torque for wall fastening	[Nm] 0.8 - 1
Panel thickness	[mm] 1 - 4
Tightening torque: test socket screw	[Nm] -
Insulating material	PA
Inflammability class according to UL 94	V0

Description	No. of pos.	Color
Measuring transducer block		gray
Power plug		gray
Test plug		gray
Dummy plug		orange

Plug-in bridge	No. of pos.	Color
	2	red
	3	red
	4	red
	5	red
	6	red
	10	red

Pre-assembled bridge, labeled	No. of pos.	Color
3-pos., positions 1, 3	2	red
4-pos., positions 1, 4	2	red
5-pos., positions 1, 3, 5	3	red
10-pos. positions 1, 4, 7, 10	4	red

Plug-in bridge, with extraction tool	No. of pos.	Color
	2	red
	3	red
	4	red

Test adapter, for 4-mm-Ø safety test plug, snapped into bridge shaft orange

Female test plug, insulated	Color
	transparent
	red
	green
	yellow
	black
Fork-type cable lug, non-isolated DIN 46234	silver

Screwdriver SF-SL 0,8X4,0-100 1212551 10

Lateral groove labeling UC-TM 8, UCT-TM 8 or ZB 8 (see Catalog 5)

Technical data

I _{max} [A]	U _{max} [V]	max. Ø [mm ²]	AWG
30	400 ¹⁾	0.2 - 10	24 - 8
IEC 60947-7-1			
IEC	UL/CUL	CSA	IEC/EN 60079-7
400 ¹⁾	-	-	-
24 / 6	- / -	-	-
6	-	-	-
24 - 8	-	-	-
solid		stranded	
Ferrule			
Without / with plastic sleeve			
0.2 - 10	0.2 - 10	0.25 - 6	0.25 - 6
0.2 - 2.5	0.2 - 2.5	0.25 - 1.5	-
		0.5 - 2.5	

Ordering data

Type	I _{max}	Order No.	Pcs. / Pkt.
UTWE 6/6+1		3069051	5

Accessories

FBS	Current	Order No.	Pcs.
FBS 2-8	24 A	3030284	10
FBS 3-8	24 A	3030297	10
FBS 4-8	24 A	3030307	10
FBS 5-8	24 A	3030310	10
FBS 6-8	24 A	3032470	10
FBS 10-8	24 A	3030323	10

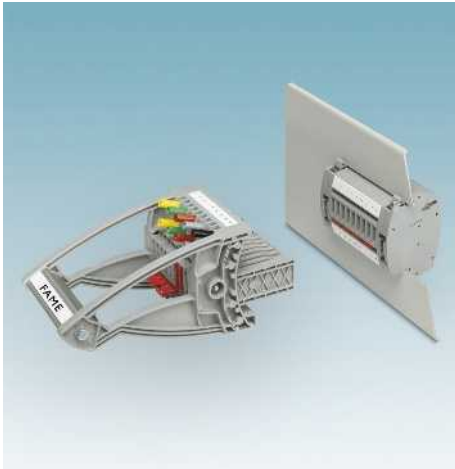
FBS	Current	Order No.	Pcs.
FBS 1/3-8	24 A	3032363	10
FBS 1/4-8	24 A	3032376	10
FBS 1/3/5-8	24 A	3032389	10
FBS 1/4/7/10-8	24 A	3032402	10

PAI-4-FIX OG 3034455 10

SF-SL 0,8X4,0-100 1212551 10

UC-TM 8, UCT-TM 8 or ZB 8 (see Catalog 5)

UTWE 6/6+1 BI measuring transducer block, 7-pos. for standard panel cut-out with plug



The modular FAME measuring transducer test system enables all transformer testing tasks to be carried out quickly and safely. The automatically generated transformer short circuit and the shock-proof design ensure the highest degree of safety during measurement. In addition to the advantages described in the introduction, the system is characterized by the following:

- The test blocks can be used universally for voltage transducers and current transformers
- The integrated, robust switch contact is designed for the most stringent demands, and the use of high-grade materials guarantees the transmission of signal currents, even after multiple actuations
- The robustly designed test plug guarantees user-friendly handling and provides fixing options for the test leads to be connected
- Space-saving design, with a pitch of just 8.2 mm and a 10 mm² screw connection
- FAME 6/...BI test blocks are available for standard panel cutouts
- The dummy plug serves as a protective cover for the test block when the power plug is unplugged
- Adapter for mounting on NS 35... DIN rail

See www.phoenixcontact.net/products

Notes:
For further plug-in bridges, test adapters, test sockets, and plugs for use with screw test sockets, see www.phoenixcontact.net/products .
Derating curve on request.
To create panel cutouts, see www.phoenixcontact.net/products .
1) Rated surge voltage: 4 kV.



6 (10) mm², 30 A, measuring transducer block base, 7-pos.



Max. electrical data	
Rated data	
Rated voltage	[V] 400 ¹⁾
Nominal current / cross section	[A] / [mm ²] 24 / 6
Rated cross section	[mm ²] 6
Cross section range	AWG 24 - 8
Connection capacity	
1 conductor	[mm ²] 0.2 - 10
Two conductors (of the same type)	[mm ²] 0.2 - 2.5
Two stranded conductors with a TWIN ferrule	[mm ²] 0.25 - 1.5
General data	
Stripping length	[mm] 10
Screw thread	M4
Tightening torque	[Nm] 1.5 - 1.8
Tightening torque for wall fastening	[Nm] 0.8 - 1
Panel thickness	[mm] 1 - 4
Tightening torque: test socket screw	[Nm] -
Insulating material	PA
Inflammability class according to UL 94	V0

Description	No. of pos.	Color
Measuring transducer block		gray
Power plug		gray
Test plug		gray
Dummy plug		orange

Plug-in bridge	No. of pos.	Color
	2	red
	3	red
	4	red
	5	red
	6	red
	10	red

Pre-assembled bridge, labeled	No. of pos.	Color
3-pos., positions 1, 3	2	red
4-pos., positions 1, 4	2	red
5-pos., positions 1, 3, 5	3	red
10-pos. positions 1, 4, 7, 10	4	red

Plug-in bridge, with extraction tool	No. of pos.	Color
	2	red
	3	red
	4	red

Test adapter, for 4-mm-Ø safety test plug, snapped into bridge shaft	Color
	orange

Female test plug, insulated	Color
	transparent
	red
	green
	yellow
	black
Fork-type cable lug, non-isolated DIN 46234	silver

Screwdriver
SF-SL 0,8X4,0-100

Lateral groove labeling
UC-TM 8, UCT-TM 8 or ZB 8 (see Catalog 5)

Technical data

I _{max} [A]	U _{max} [V]	max. Ø [mm ²]	AWG
30	400 ¹⁾	0.2 - 10	24 - 8
IEC 60947-7-1			
IEC	UL/CUL	CSA	IEC/EN 60079-7
400 ¹⁾	-	-	-
24 / 6	- / -	-	-
6	-	-	-
24 - 8	-	-	-
Connection capacity		Ferrule	
solid	stranded	Without / with plastic sleeve	
0.2 - 10	0.2 - 10	0.25 - 6	0.25 - 6
0.2 - 2.5	0.2 - 2.5	0.25 - 1.5	-
			0.5 - 2.5

Ordering data

Type	I _{max}	Order No.	Pcs. / Pkt.
UTWE 6/6+1 BI		3069996	5

Accessories

FBS	Current	Order No.	Pcs.
FBS 2-8	24 A	3030284	10
FBS 3-8	24 A	3030297	10
FBS 4-8	24 A	3030307	10
FBS 5-8	24 A	3030310	10
FBS 6-8	24 A	3032470	10
FBS 10-8	24 A	3030323	10

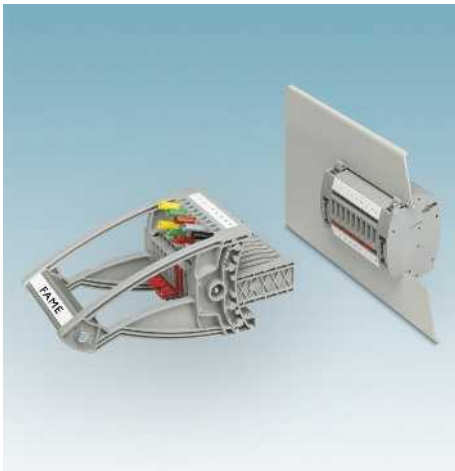
FBS	Current	Order No.	Pcs.
FBS 1/3-8	24 A	3032363	10
FBS 1/4-8	24 A	3032376	10
FBS 1/3/5-8	24 A	3032389	10
FBS 1/4/7/10-8	24 A	3032402	10

PAI-4-FIX OG	Order No.	Pcs.
	3034455	10

SF-SL 0,8X4,0-100	Order No.	Pcs.
	1212551	10

UC-TM 8, UCT-TM 8 or ZB 8 (see Catalog 5)

UTWE 6/8+1 measuring transducer block, 9-pos. with plug



The modular FAME measuring transducer test system enables all transformer testing tasks to be carried out quickly and safely. The automatically generated transformer short circuit and the shock-proof design ensure the highest degree of safety during measurement. In addition to the advantages described in the introduction, the system is characterized by the following:

- The test blocks can be used universally for voltage transducers and current transformers
- The integrated, robust switch contact is designed for the most stringent demands, and the use of high-grade materials guarantees the transmission of signal currents, even after multiple actuations
- The robustly designed test plug guarantees user-friendly handling and provides fixing options for the test leads to be connected
- Space-saving design, with a pitch of just 8.2 mm and a 10 mm² screw connection
- FAME 6/...BI test blocks are available for standard panel cutouts
- The dummy plug serves as a protective cover for the test block when the power plug is unplugged
- Adapter for mounting on NS 35... DIN rail

See www.phoenixcontact.net/products

Notes:
For further plug-in bridges, test adapters, test sockets, and plugs for use with screw test sockets, see www.phoenixcontact.net/products .
Derating curve on request.
To create panel cutouts, see www.phoenixcontact.net/products .
1) Rated surge voltage: 4 kV.



6 (10) mm², 30 A, measuring transducer block base, 9-pos.



Max. electrical data	
Rated data	
Rated voltage	[V] 400 ¹⁾
Nominal current / cross section	[A] / [mm ²] 24 / 6
Rated cross section	[mm ²] 6
Cross section range	AWG 24 - 8
Connection capacity	
1 conductor	[mm ²] 0.2 - 10
Two conductors (of the same type)	[mm ²] 0.2 - 2.5
Two stranded conductors with a TWIN ferrule	[mm ²] 0.25 - 1.5
General data	
Stripping length	[mm] 10
Screw thread	M4
Tightening torque	[Nm] 1.5 - 1.8
Tightening torque for wall fastening	[Nm] 0.8 - 1
Panel thickness	[mm] 1 - 4
Tightening torque: test socket screw	[Nm] -
Insulating material	PA
Inflammability class according to UL 94	V0

Description	No. of pos.	Color
Measuring transducer block		gray
Power plug		gray
Test plug		gray
Dummy plug		orange

Plug-in bridge	No. of pos.	Color
	2	red
	3	red
	4	red
	5	red
	6	red
	10	red

Pre-assembled bridge, labeled	No. of pos.	Color
3-pos., positions 1, 3	2	red
4-pos., positions 1, 4	2	red
5-pos., positions 1, 3, 5	3	red
10-pos. positions 1, 4, 7, 10	4	red

Plug-in bridge, with extraction tool	No. of pos.	Color
	2	red
	3	red
	4	red

Test adapter, for 4-mm-Ø safety test plug, snapped into bridge shaft	Color
	orange

Female test plug, insulated	Color
	transparent
	red
	green
	yellow
	black
Fork-type cable lug, non-isolated DIN 46234	silver

Screwdriver
SF-SL 0,8X4,0-100

Lateral groove labeling
UC-TM 8, UCT-TM 8 or ZB 8 (see Catalog 5)

Technical data

I _{max} [A]	U _{max} [V]	max. Ø [mm ²]	AWG
30	400 ¹⁾	0.2 - 10	24 - 8
IEC 60947-7-1			
IEC	UL/CUL	CSA	IEC/EN 60079-7
400 ¹⁾	-	-	-
24 / 6	- / -	-	-
6	-	-	-
24 - 8	-	-	-
Connection capacity		Ferrule	
solid	stranded	Without / with plastic sleeve	
0.2 - 10	0.2 - 10	0.25 - 6	0.25 - 6
0.2 - 2.5	0.2 - 2.5	0.25 - 1.5	-
			0.5 - 2.5

Ordering data

Type	I _{max}	Order No.	Pcs. / Pkt.
UTWE 6/8+1		3069064	5

Accessories

Accessories	No. of pos.	Color	Order No.	Pcs. / Pkt.
FBS 2-8	24 A		3030284	10
FBS 3-8	24 A		3030297	10
FBS 4-8	24 A		3030307	10
FBS 5-8	24 A		3030310	10
FBS 6-8	24 A		3032470	10
FBS 10-8	24 A		3030323	10

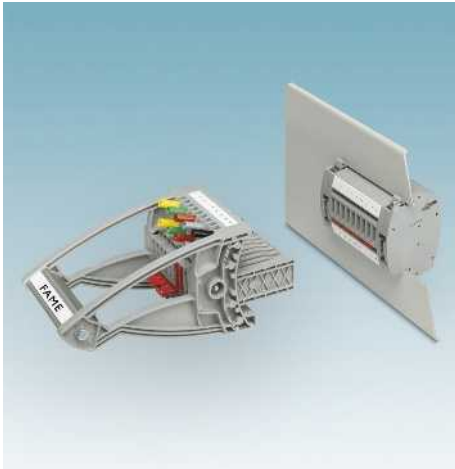
Accessories	No. of pos.	Color	Order No.	Pcs. / Pkt.
FBS 1/3-8	24 A		3032363	10
FBS 1/4-8	24 A		3032376	10
FBS 1/3/5-8	24 A		3032389	10
FBS 1/4/7/10-8	24 A		3032402	10

Accessories	Order No.	Pcs. / Pkt.
PAI-4-FIX OG	3034455	10

Accessories	Order No.	Pcs. / Pkt.
SF-SL 0,8X4,0-100	1212551	10

Accessories	Order No.	Pcs. / Pkt.
UC-TM 8, UCT-TM 8 or ZB 8 (see Catalog 5)		

UTWE 6/12+1 measuring transducer block, 13-pos. with plug



The modular FAME measuring transducer test system enables all transformer testing tasks to be carried out quickly and safely. The automatically generated transformer short circuit and the shock-proof design ensure the highest degree of safety during measurement. In addition to the advantages described in the introduction, the system is characterized by the following:

- The test blocks can be used universally for voltage transducers and current transformers
- The integrated, robust switch contact is designed for the most stringent demands, and the use of high-grade materials guarantees the transmission of signal currents, even after multiple actuations
- The robustly designed test plug guarantees user-friendly handling and provides fixing options for the test leads to be connected
- Space-saving design, with a pitch of just 8.2 mm and a 10 mm² screw connection
- FAME 6/...BI test blocks are available for standard panel cutouts
- The dummy plug serves as a protective cover for the test block when the power plug is unplugged
- Adapter for mounting on NS 35... DIN rail

See www.phoenixcontact.net/products

Notes:
For further plug-in bridges, test adapters, test sockets, and plugs for use with screw test sockets, see www.phoenixcontact.net/products .
Derating curve on request.
To create panel cutouts, see www.phoenixcontact.net/products .
1) Rated surge voltage: 4 kV.



6 (10 mm², 30 A, measuring transducer block base, 13-pos.

Max. electrical data	
Rated data	
Rated voltage	[V] 400 ¹⁾
Nominal current / cross section	[A] / [mm ²] 24 / 6
Rated cross section	[mm ²] 6
Cross section range	AWG 24 - 8
Connection capacity	
1 conductor	[mm ²] 0.2 - 10
Two conductors (of the same type)	[mm ²] 0.2 - 2.5
Two stranded conductors with a TWIN ferrule	[mm ²] 0.25 - 1.5
General data	
Stripping length	[mm] 10
Screw thread	M4
Tightening torque	[Nm] 1.5 - 1.8
Tightening torque for wall fastening	[Nm] 0.8 - 1
Panel thickness	[mm] 1 - 4
Tightening torque: test socket screw	[Nm] -
Insulating material	PA
Inflammability class according to UL 94	V0

Description	No. of pos.	Color
Measuring transducer block		gray
Power plug		gray
Test plug		gray
Dummy plug		orange

Plug-in bridge	No. of pos.	Color
	2	red
	3	red
	4	red
	5	red
	6	red
	10	red

Pre-assembled bridge, labeled	No. of pos.	Color
3-pos., positions 1, 3	2	red
4-pos., positions 1, 4	2	red
5-pos., positions 1, 3, 5	3	red
10-pos. positions 1, 4, 7, 10	4	red

Plug-in bridge, with extraction tool	No. of pos.	Color
	2	red
	3	red
	4	red

Test adapter, for 4-mm-Ø safety test plug, snapped into bridge shaft	Color
	orange

Female test plug, insulated	Color
	transparent
	red
	green
	yellow
	black
Fork-type cable lug, non-isolated DIN 46234	silver

Screwdriver
SF-SL 0,8X4,0-100

Lateral groove labeling
UC-TM 8, UCT-TM 8 or ZB 8 (see Catalog 5)

Technical data

I _{max} [A]	U _{max} [V]	max. Ø [mm ²]	AWG
30	400 ¹⁾	0.2 - 10	24 - 8
IEC 60947-7-1			
IEC	UL/CUL	CSA	IEC/EN 60079-7
Ferrule			
Without / with plastic sleeve			
0.2 - 10	0.2 - 10	0.25 - 6	0.25 - 6
0.2 - 2.5	0.2 - 2.5	0.25 - 1.5	-
			0.5 - 2.5

Ordering data

Type	I _{max}	Order No.	Pcs. / Pkt.
UTWE 6/12+1		3069077	5

Accessories

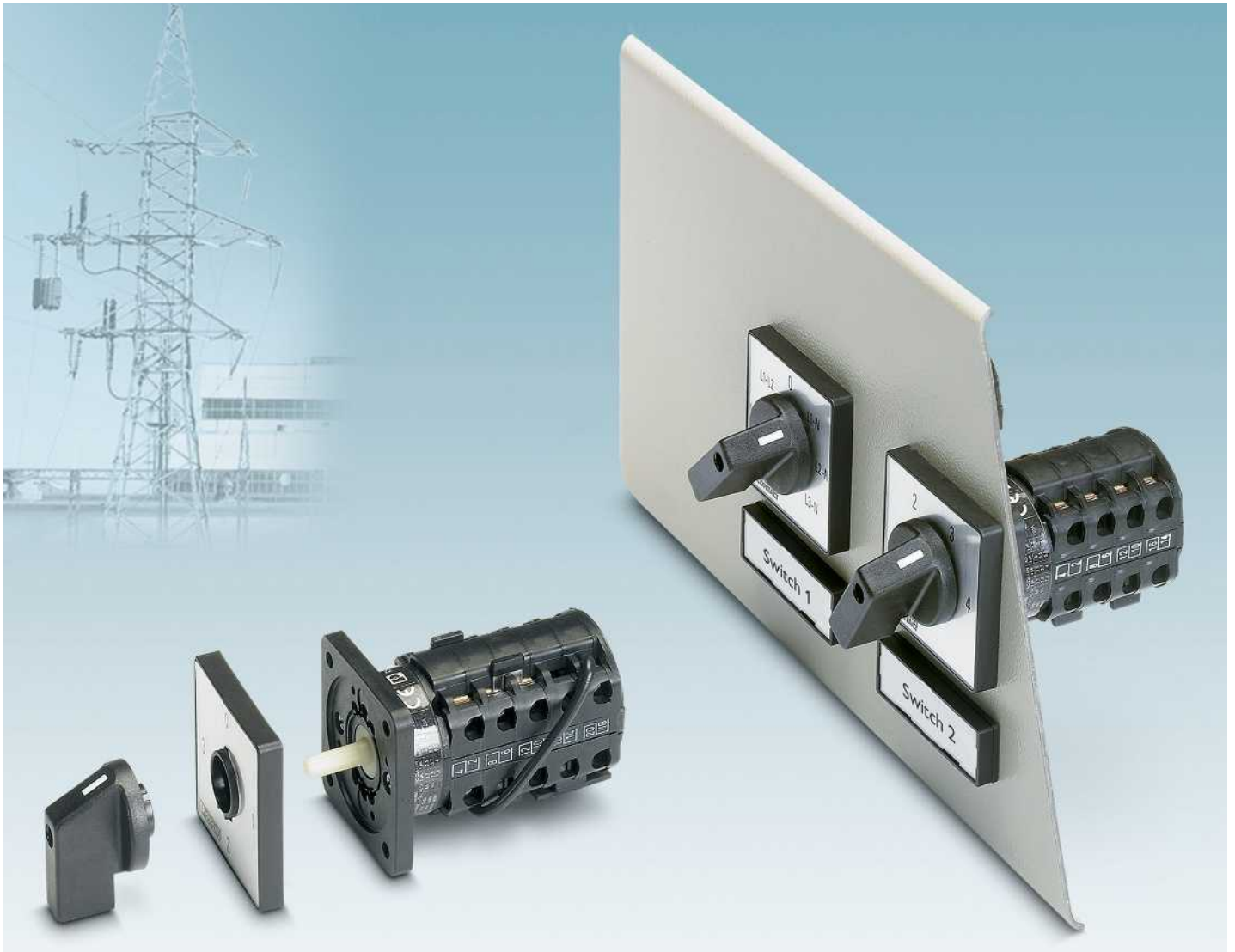
Accessories	No. of pos.	Color	Order No.	Pcs. / Pkt.
FBS 2-8	24 A		3030284	10
FBS 3-8	24 A		3030297	10
FBS 4-8	24 A		3030307	10
FBS 5-8	24 A		3030310	10
FBS 6-8	24 A		3032470	10
FBS 10-8	24 A		3030323	10

Accessories	No. of pos.	Color	Order No.	Pcs. / Pkt.
FBS 1/3-8	24 A		3032363	10
FBS 1/4-8	24 A		3032376	10
FBS 1/3/5-8	24 A		3032389	10
FBS 1/4/7/10-8	24 A		3032402	10

Accessories	Order No.	Pcs. / Pkt.
PAI-4-FIX OG	3034455	10

Accessories	Order No.	Pcs. / Pkt.
SF-SL 0,8X4,0-100	1212551	10

Accessories	Order No.	Pcs. / Pkt.
UC-TM 8, UCT-TM 8 or ZB 8 (see Catalog 5)		



Compact design

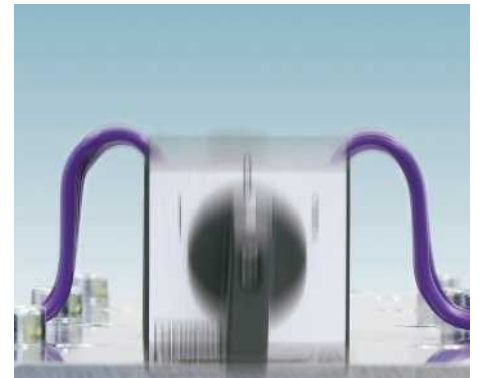
Thanks to their compact design and the direction of the conductor connection, the rotary switches are ideally suited to switch-gear, in which space is limited.



Universal and zero-maintenance

The main features of the 2.5 mm² screw connection are:

- Plus/minus screw drive
- Captive screw and safe screwdriver guidance
- Open in the delivery state
- Connection of conductors with and without ferrule or fork-type cable lug



Shock and vibration resistant

The rotary switches have been shock and vibration-tested and are suitable for applications which involve extreme vibrations.

Voltmeter changeover switch with 0 position



The range of compact rotary switches up to 20 A has been designed for the switch programs available for application in energy technology. The use of high-quality materials results in a long mechanical and electrical service life. The constructive design of the rotary switches affords a high level of safety: non-live parts are made of plastic, meaning that voltage cannot be transmitted to the control cabinet panel, for example.

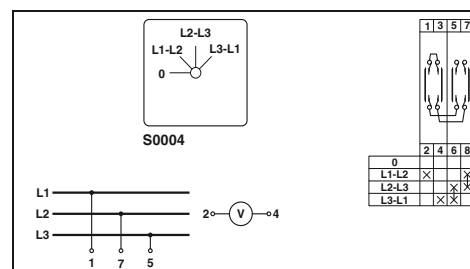
- Comprehensive approvals permit international use. The rotary switches are free from cadmium and compliant with the RoHS directive.
- The terminal points have been designed in such a way that they feature shock protection in accordance with BGV A2. All clamping screws are enclosed within the housing, which means that it is not possible to come into contact with live parts.
- The rotary switches are attached by means of a robust four-hole attachment. The handle connection can be operated from the front, making it easy to install.
- Marker carriers with corresponding snap-in labels for individual printing are available to ensure clear identification of the rotary switches.



Notes:
For corresponding marker carriers, refer to Catalog 5.
1) For electrical values according to IEC 60947-3, see page 689.



2.5 (2.5) mm², 20 A, voltmeter changeover switch with 0 position



Dimensions		[mm]
Width	48	
Length	72	
Installation depth	43	
Max. electrical data		
I_{max} [A]	20	
U_{max} [V]	690	
max. \varnothing [mm ²]	0.5 - 2.5	
AWG	18 - 14	
Rated data		
Rated insulation voltage	690 ¹⁾	[V]
Rated continuous current	20	[A]
Cross section range	20 - 14	AWG
Connection capacity		
1 conductor	0.5 - 2.5	[mm ²]
Two conductors (of the same type)	0.5 - 2.5	[mm ²]
Operating current, switching capacity		
See page 689.		
Breaking capacity		
150 A (220 - 240 V)		
150 A (380 - 440 V)		
80 A (660 - 690 V)		
Immunity to short circuiting		
Max. backup fuse gL/gG characteristics	25	[A]
Rated short-time current resistance (1 s current)	140	[A]
General data		
Stripping length	8	[mm]
Tightening torque	0.7 - 0.8	[Nm]

Technical data			
Width	Length	Installation depth	
48	72	43	
I_{max} [A]	U_{max} [V]	max. \varnothing [mm ²]	AWG
20	690	0.5 - 2.5	18 - 14
IEC	UL/CUL	CSA	
690 ¹⁾	-	-	
20	-	-	
20 - 14	-	-	
solid	stranded	Ferrule	
		Without / with plastic sleeve	
0.5 - 2.5	0.75 - 2.5	2.5 - 2.5	1.5 - 1.5
0.5 - 2.5	0.75 - 2.5	2.5 - 2.5	-
Ordering data			
Type	Order No.	Pcs. / Pkt.	
RS20-US-S0004-0204-014H-001	3069700	1	
Accessories			
SF-SL 0,6X3,5-100 S-VDE	1212587	10	

Description	Color
Voltmeter changeover switch with 0 position, three linked voltages, 0 - L1-L2 - L2-L3 - L3-L1	silver/black

Screwdriver
SF-SL 0,6X3,5-100 S-VDE



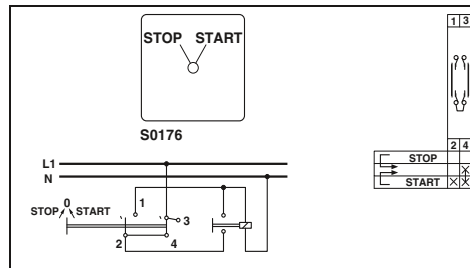
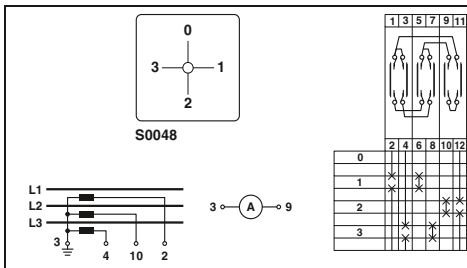
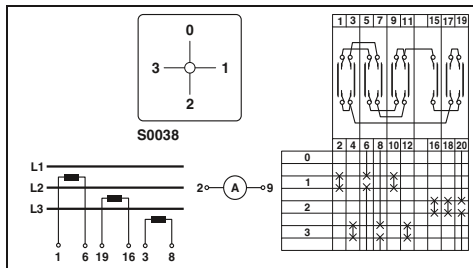
2.5 (2.5) mm², 20 A, ammeter changeover switch



2.5 (2.5) mm², 20 A, ammeter changeover switch



2.5 (2.5) mm², 20 A, control switch



Technical data			
Width	Length	Installation depth	
48	100.5	71.5	
$I_{max.}$ [A]	$U_{max.}$ [V]	max. Ø [mm ²]	AWG
20	690	0.5 - 2.5	18 - 14
IEC	UL/CUL	CSA	
690 ¹⁾	-	-	
20	-	-	
20 - 14	-	-	
solid	stranded	Ferrule	
		Without / with plastic sleeve	
0.5 - 2.5	0.75 - 2.5	2.5 - 2.5	1.5 - 1.5
0.5 - 2.5	0.75 - 2.5	2.5 - 2.5	-
See page 689.			
150 A (220 - 240 V)			
150 A (380 - 440 V)			
80 A (660 - 690 V)			
25			
140			
8			
0.7 - 0.8			

Technical data			
Width	Length	Installation depth	
48	81.5	52.5	
$I_{max.}$ [A]	$U_{max.}$ [V]	max. Ø [mm ²]	AWG
20	690	0.5 - 2.5	18 - 14
IEC	UL/CUL	CSA	
690 ¹⁾	-	-	
20	-	-	
20 - 14	-	-	
solid	stranded	Ferrule	
		Without / with plastic sleeve	
0.5 - 2.5	0.75 - 2.5	2.5 - 2.5	1.5 - 1.5
0.5 - 2.5	0.75 - 2.5	2.5 - 2.5	-
See page 689.			
150 A (220 - 240 V)			
150 A (380 - 440 V)			
80 A (660 - 690 V)			
25			
140			
8			
0.7 - 0.8			

Technical data			
Width	Length	Installation depth	
48	62.5	33.5	
$I_{max.}$ [A]	$U_{max.}$ [V]	max. Ø [mm ²]	AWG
20	690	0.5 - 2.5	18 - 14
IEC	UL/CUL	CSA	
690 ¹⁾	-	-	
20	-	-	
20 - 14	-	-	
solid	stranded	Ferrule	
		Without / with plastic sleeve	
0.5 - 2.5	0.75 - 2.5	2.5 - 2.5	1.5 - 1.5
0.5 - 2.5	0.75 - 2.5	2.5 - 2.5	-
See page 689.			
150 A (220 - 240 V)			
150 A (380 - 440 V)			
80 A (660 - 690 V)			
25			
140			
8			
0.7 - 0.8			

Ordering data		
Type	Order No.	Pcs. / Pkt.
RS20-US-S0038-0504-014H-001	3069703	1

Ordering data		
Type	Order No.	Pcs. / Pkt.
RS20-US-S0048-0304-014H-001	3069704	1

Ordering data		
Type	Order No.	Pcs. / Pkt.
RS20-US-S0176-0102-014H-001	3069705	1

Accessories		
SF-SL 0,6X3,5-100 S-VDE	1212587	10

Accessories		
SF-SL 0,6X3,5-100 S-VDE	1212587	10

Accessories		
SF-SL 0,6X3,5-100 S-VDE	1212587	10

N



2.5 (2.5) mm², 20 A, off switch

N

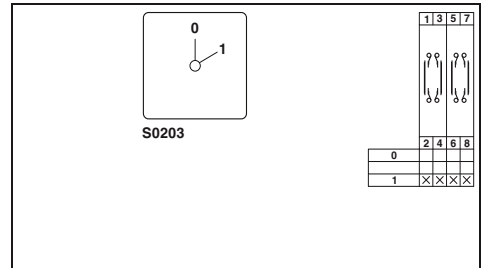
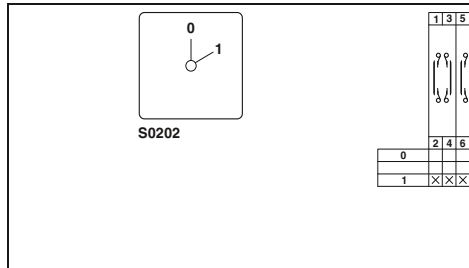
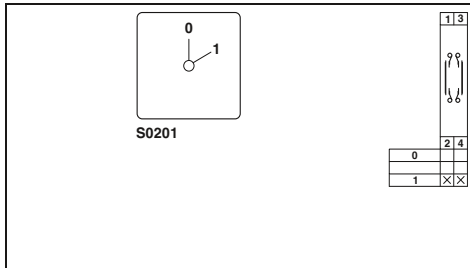


2.5 (2.5) mm², 20 A, off switch

N



2.5 (2.5) mm², 20 A, off switch



Technical data			
Width	Length	Installation depth	
48	62.5	33.5	
I _{max.} [A]	U _{max.} [V]	max. Ø [mm ²]	AWG
20	690	0.5 - 2.5	18 - 14
IEC	UL/CUL	CSA	
690 ¹⁾	-	-	
20	-	-	
20 - 14	-	-	
solid	stranded	Ferrule Without / with plastic sleeve	
0.5 - 2.5	0.75 - 2.5	2.5 - 2.5	1.5 - 1.5
0.5 - 2.5	0.75 - 2.5	2.5 - 2.5	-
See page 689.			
150 A (220 - 240 V)			
150 A (380 - 440 V)			
80 A (660 - 690 V)			
25			
140			
8			
0.7 - 0.8			

Technical data			
Width	Length	Installation depth	
48	72	43	
I _{max.} [A]	U _{max.} [V]	max. Ø [mm ²]	AWG
20	690	0.5 - 2.5	18 - 14
IEC	UL/CUL	CSA	
690 ¹⁾	-	-	
20	-	-	
20 - 14	-	-	
solid	stranded	Ferrule Without / with plastic sleeve	
0.5 - 2.5	0.75 - 2.5	2.5 - 2.5	1.5 - 1.5
0.5 - 2.5	0.75 - 2.5	2.5 - 2.5	-
See page 689.			
150 A (220 - 240 V)			
150 A (380 - 440 V)			
80 A (660 - 690 V)			
25			
140			
8			
0.7 - 0.8			

Technical data			
Width	Length	Installation depth	
48	72	43	
I _{max.} [A]	U _{max.} [V]	max. Ø [mm ²]	AWG
20	690	0.5 - 2.5	18 - 14
IEC	UL/CUL	CSA	
690 ¹⁾	-	-	
20	-	-	
20 - 14	-	-	
solid	stranded	Ferrule Without / with plastic sleeve	
0.5 - 2.5	0.75 - 2.5	2.5 - 2.5	1.5 - 1.5
0.5 - 2.5	0.75 - 2.5	2.5 - 2.5	-
See page 689.			
150 A (220 - 240 V)			
150 A (380 - 440 V)			
80 A (660 - 690 V)			
25			
140			
8			
0.7 - 0.8			

Ordering data		
Type	Order No.	Pcs. / Pkt.
RS20-US-S0201-0102-014H-001	3069707	1

Ordering data		
Type	Order No.	Pcs. / Pkt.
RS20-US-S0202-0202-014H-001	3069708	1

Ordering data		
Type	Order No.	Pcs. / Pkt.
RS20-US-S0203-0202-014H-001	3069709	1

Accessories		
SF-SL 0,6X3,5-100 S-VDE	1212587	10

Accessories		
SF-SL 0,6X3,5-100 S-VDE	1212587	10

Accessories		
SF-SL 0,6X3,5-100 S-VDE	1212587	10

Changeover switch with 0 position

N

N

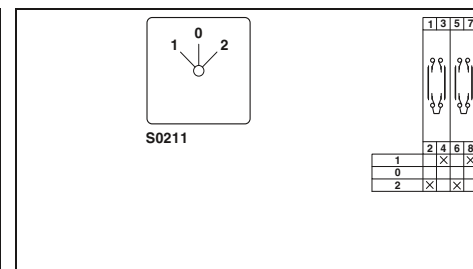
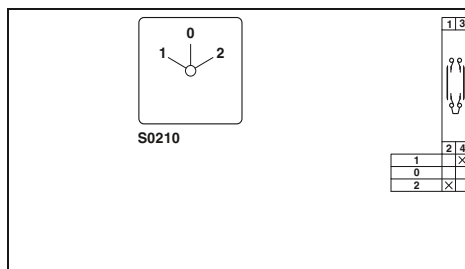
Notes:
For corresponding marker carriers, refer to Catalog 5.
1) For electrical values according to IEC 60947-3, see page 689.



2.5 (2.5) mm², 20 A, changeover switch with 0 position



2.5 (2.5) mm², 20 A, changeover switch with 0 position



Dimensions	
Width	48 [mm]
Max. electrical data	
I _{max.} [A]	20
Rated data	
Rated insulation voltage	690 ¹⁾ [V]
Rated continuous current	- [A]
Cross section range	20 - 14 AWG
Connection capacity	
1 conductor	0.5 - 2.5 [mm ²]
Two conductors (of the same type)	0.5 - 2.5 [mm ²]
Operating current, switching capacity	
See page 689.	
Breaking capacity	
150 A (220 - 240 V)	
150 A (380 - 440 V)	
80 A (660 - 690 V)	
Immunity to short circuiting	
Max. backup fuse gL/gG characteristics	25 [A]
Rated short-time current resistance (1 s current)	140 [A]
General data	
Stripping length	8 [mm]
Tightening torque	0.7 - 0.8 [Nm]

Technical data			
Width	Length	Installation depth	
48	62.5	33.5	
I _{max.} [A]		max. Ø [mm ²]	AWG
20		0.5 - 2.5	18 - 14
IEC	UL/CUL	CSA	
690 ¹⁾	-	-	
-	-	-	
20 - 14	-	-	
solid	stranded	Ferrule	
		Without / with plastic sleeve	
0.5 - 2.5	0.75 - 2.5	2.5 - 2.5	1.5 - 1.5
0.5 - 2.5	0.75 - 2.5	2.5 - 2.5	-

Technical data			
Width	Length	Installation depth	
48	72	43	
I _{max.} [A]	U _{max.} [V]	max. Ø [mm ²]	AWG
20	690	0.5 - 2.5	18 - 14
IEC	UL/CUL	CSA	
690 ¹⁾	-	-	
-	-	-	
20 - 14	-	-	
solid	stranded	Ferrule	
		Without / with plastic sleeve	
0.5 - 2.5	0.75 - 2.5	2.5 - 2.5	1.5 - 1.5
0.5 - 2.5	0.75 - 2.5	2.5 - 2.5	-

Ordering data	
Description	Color
Changeover switch with 0 position, 1 - 0 - 2	silver/black
Changeover switch with 0 position, 1 > 0 < 2 with withdrawal on both sides	silver/black

Ordering data		
Type	Order No.	Pcs. / Pkt.
RS20-US-S0210-0103-014H-001	3069710	1

Ordering data		
Type	Order No.	Pcs. / Pkt.
RS20-US-S0211-0203-014H-001	3069711	1

Accessories	
Screwdriver	SF-SL 0,6X3,5-100 S-VDE

Accessories		
	1212587	10

Accessories		
	1212587	10

N



2.5 (2.5) mm², 20 A, changeover switch with 0 position

N

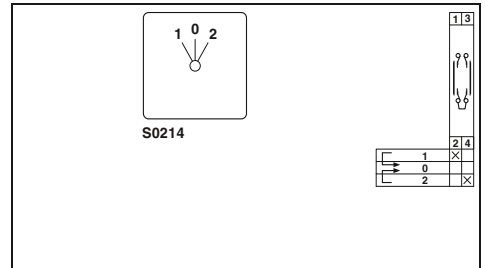
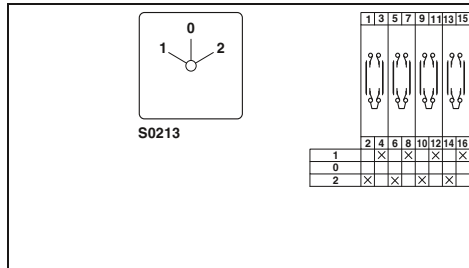
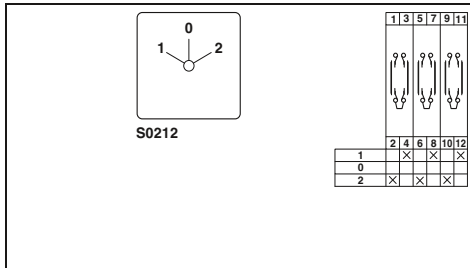


2.5 (2.5) mm², 20 A, changeover switch with 0 position

N



2.5 (2.5) mm², 20 A, changeover switch with 0 position



Technical data			
Width	Length	Installation depth	
48	82.5	52.5	
$I_{max.}$ [A]	$U_{max.}$ [V]	max. Ø [mm ²]	AWG
20	690	0.5 - 2.5	18 - 14
IEC	UL/CUL	CSA	
690 ¹⁾	-	-	
-	-	-	
20 - 14	-	-	
solid	stranded	Ferrule Without / with plastic sleeve	
0.5 - 2.5	0.75 - 2.5	2.5 - 2.5	1.5 - 1.5
0.5 - 2.5	0.75 - 2.5	2.5 - 2.5	-
See page 689.			
150 A (220 - 240 V)			
150 A (380 - 440 V)			
80 A (660 - 690 V)			
25			
140			
8			
0.7 - 0.8			

Technical data			
Width	Length	Installation depth	
48	91	62	
$I_{max.}$ [A]	$U_{max.}$ [V]	max. Ø [mm ²]	AWG
20	690	0.5 - 2.5	18 - 14
IEC	UL/CUL	CSA	
690 ¹⁾	-	-	
-	-	-	
20 - 14	-	-	
solid	stranded	Ferrule Without / with plastic sleeve	
0.5 - 2.5	0.75 - 2.5	2.5 - 2.5	1.5 - 1.5
0.5 - 2.5	0.75 - 2.5	2.5 - 2.5	-
See page 689.			
150 A (220 - 240 V)			
150 A (380 - 440 V)			
80 A (660 - 690 V)			
25			
140			
8			
0.7 - 0.8			

Technical data			
Width	Length	Installation depth	
48	62.5	33.5	
$I_{max.}$ [A]	$U_{max.}$ [V]	max. Ø [mm ²]	AWG
20	690	0.5 - 2.5	18 - 14
IEC	UL/CUL	CSA	
690 ¹⁾	-	-	
-	-	-	
20 - 14	-	-	
solid	stranded	Ferrule Without / with plastic sleeve	
0.5 - 2.5	0.75 - 2.5	2.5 - 2.5	1.5 - 1.5
0.5 - 2.5	0.75 - 2.5	2.5 - 2.5	-
See page 689.			
150 A (220 - 240 V)			
150 A (380 - 440 V)			
80 A (660 - 690 V)			
25			
140			
8			
0.7 - 0.8			

Ordering data		
Type	Order No.	Pcs. / Pkt.
RS20-US-S0212-0303-014H-001	3069712	1

Ordering data		
Type	Order No.	Pcs. / Pkt.
RS20-US-S0213-0403-014H-001	3069713	1

Ordering data		
Type	Order No.	Pcs. / Pkt.
RS20-US-S0214-0103-014H-001	3069723	1

Accessories		
SF-SL 0,6X3,5-100 S-VDE	1212587	10

Accessories		
SF-SL 0,6X3,5-100 S-VDE	1212587	10

Accessories		
SF-SL 0,6X3,5-100 S-VDE	1212587	10

Changeover switch with and without 0 position



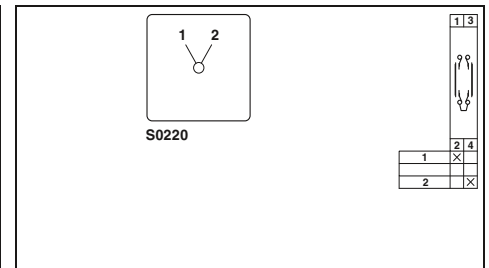
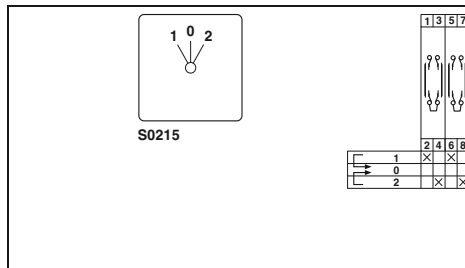
Notes:
 For corresponding marker carriers, refer to Catalog 5.
 1) For electrical values according to IEC 60947-3, see page 689.



2.5 (2.5) mm², 20 A, changeover switch with 0 position



2.5 (2.5) mm², 20 A, changeover switch without 0 position



Dimensions		[mm]
Width	48	72
Length	43	
Installation depth	33.5	
Max. electrical data		
I_{max} [A]	20	
U_{max} [V]	690 ¹⁾	
max. Ø [mm ²]	0.5 - 2.5	
AWG	18 - 14	
Rated data		
IEC	UL/CUL	CSA
Rated insulation voltage [V]	690 ¹⁾	-
Rated continuous current [A]	20	-
Cross section range AWG	20 - 14	-
Connection capacity		
solid	stranded	Ferrule
		Without / with plastic sleeve
1 conductor [mm ²]	0.5 - 2.5	0.75 - 2.5
Two conductors (of the same type) [mm ²]	0.5 - 2.5	0.75 - 2.5
		2.5 - 2.5
		1.5 - 1.5
		-
Operating current, switching capacity		
See page 689.		
Breaking capacity		
150 A (220 - 240 V)		
150 A (380 - 440 V)		
80 A (660 - 690 V)		
Immunity to short circuiting		
Max. backup fuse gL/gG characteristics [A]	25	
Rated short-time current resistance (1 s current) [A]	140	
General data		
Stripping length [mm]	8	
Tightening torque [Nm]	0.7 - 0.8	

Technical data			
Width	48	Length	72
Length	43		Installation depth
Installation depth	33.5		
Max. electrical data			
I_{max} [A]	20	U_{max} [V]	690 ¹⁾
max. Ø [mm ²]	0.5 - 2.5		AWG
AWG	18 - 14		
Rated data			
IEC	UL/CUL	CSA	
Rated insulation voltage [V]	690 ¹⁾	-	-
Rated continuous current [A]	20	-	-
Cross section range AWG	20 - 14	-	-
Connection capacity			
solid	stranded	Ferrule	
		Without / with plastic sleeve	
1 conductor [mm ²]	0.5 - 2.5	0.75 - 2.5	2.5 - 2.5
Two conductors (of the same type) [mm ²]	0.5 - 2.5	0.75 - 2.5	2.5 - 2.5
			-
Operating current, switching capacity			
See page 689.			
Breaking capacity			
150 A (220 - 240 V)			
150 A (380 - 440 V)			
80 A (660 - 690 V)			
Immunity to short circuiting			
Max. backup fuse gL/gG characteristics [A]	25		
Rated short-time current resistance (1 s current) [A]	140		
General data			
Stripping length [mm]	8		
Tightening torque [Nm]	0.7 - 0.8		

Technical data			
Width	48	Length	62.5
Length	33.5		Installation depth
Installation depth	33.5		
Max. electrical data			
I_{max} [A]	20	U_{max} [V]	690 ¹⁾
max. Ø [mm ²]	0.5 - 2.5		AWG
AWG	18 - 14		
Rated data			
IEC	UL/CUL	CSA	
Rated insulation voltage [V]	690 ¹⁾	-	-
Rated continuous current [A]	20	-	-
Cross section range AWG	20 - 14	-	-
Connection capacity			
solid	stranded	Ferrule	
		Without / with plastic sleeve	
1 conductor [mm ²]	0.5 - 2.5	0.75 - 2.5	2.5 - 2.5
Two conductors (of the same type) [mm ²]	0.5 - 2.5	0.75 - 2.5	2.5 - 2.5
			-
Operating current, switching capacity			
See page 689.			
Breaking capacity			
150 A (220 - 240 V)			
150 A (380 - 440 V)			
80 A (660 - 690 V)			
Immunity to short circuiting			
Max. backup fuse gL/gG characteristics [A]	25		
Rated short-time current resistance (1 s current) [A]	140		
General data			
Stripping length [mm]	8		
Tightening torque [Nm]	0.7 - 0.8		

Ordering data	
Description	Color
Changeover switch with 0 position, 1 > 0 < 2 with withdrawal on both sides	silver/black
Changeover switch without 0 position, 1 - 2	silver/black
Changeover switch without 0 position, with electrically isolated contacts 1 - 2 symmetrical	silver/black

Ordering data		
Type	Order No.	Pcs. / Pkt.
RS20-US-S0215-0203-014H-001	3069724	1

Ordering data		
Type	Order No.	Pcs. / Pkt.
RS20-US-S0220-0102-014H-001	3069714	1

Accessories	
Screwdriver	SF-SL 0,6X3,5-100 S-VDE

Accessories		
SF-SL 0,6X3,5-100 S-VDE	1212587	10

Accessories		
SF-SL 0,6X3,5-100 S-VDE	1212587	10

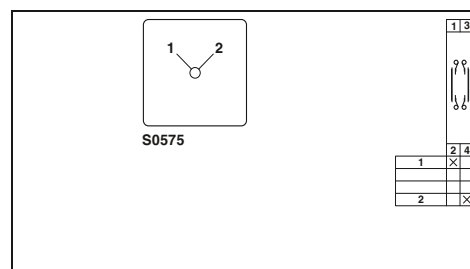
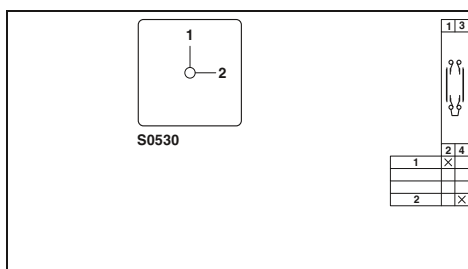
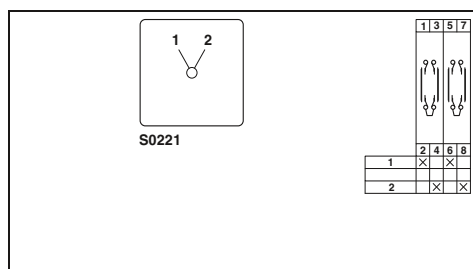
N

2.5 (2.5) mm², 20 A, changeover switch without 0 position

N

2.5 (2.5) mm², 20 A, changeover switch without 0 position

N

2.5 (2.5) mm², 20 A, changeover switch without 0 position, with electrically isolated contacts

Technical data

Width	Length	Installation depth	
48	72	43	
$I_{max.}$ [A]	$U_{max.}$ [V]	max. Ø [mm ²]	AWG
20	690 ¹⁾	0.5 - 2.5	18 - 14

IEC	UL/CUL	CSA	
690 ¹⁾	-	-	
20	-	-	
20 - 14	-	-	
solid	stranded	Ferrule	
		Without / with plastic sleeve	
0.5 - 2.5	0.75 - 2.5	2.5 - 2.5	1.5 - 1.5
0.5 - 2.5	0.75 - 2.5	2.5 - 2.5	-

See page 689.

150 A (220 - 240 V)
150 A (380 - 440 V)
80 A (660 - 690 V)

25
140

8
0.7 - 0.8

Technical data

Width	Length	Installation depth	
48	62.5	33.5	
$I_{max.}$ [A]	$U_{max.}$ [V]	max. Ø [mm ²]	AWG
20	690 ¹⁾	0.5 - 2.5	18 - 14

IEC	UL/CUL	CSA	
690 ¹⁾	-	-	
20	-	-	
20 - 14	-	-	
solid	stranded	Ferrule	
		Without / with plastic sleeve	
0.5 - 2.5	0.75 - 2.5	2.5 - 2.5	1.5 - 1.5
0.5 - 2.5	0.75 - 2.5	2.5 - 2.5	-

See page 689.

150 A (220 - 240 V)
150 A (380 - 440 V)
80 A (660 - 690 V)

25
140

8
0.7 - 0.8

Technical data

Width	Length	Installation depth	
48	62.5	33.5	
$I_{max.}$ [A]	$U_{max.}$ [V]	max. Ø [mm ²]	AWG
20	690 ¹⁾	0.5 - 2.5	18 - 14

IEC	UL/CUL	CSA	
690 ¹⁾	-	-	
20	-	-	
20 - 14	-	-	
solid	stranded	Ferrule	
		Without / with plastic sleeve	
0.5 - 2.5	0.75 - 2.5	2.5 - 2.5	1.5 - 1.5
0.5 - 2.5	0.75 - 2.5	2.5 - 2.5	-

See page 689.

150 A (220 - 240 V)
150 A (380 - 440 V)
80 A (660 - 690 V)

25
140

8
0.7 - 0.8

Ordering data

Type	Order No.	Pcs. / Pkt.
RS20-US-S0221-0202-014H-001	3069715	1

Ordering data

Type	Order No.	Pcs. / Pkt.
RS20-US-S0530-0102-014H-001	3069725	1

Ordering data

Type	Order No.	Pcs. / Pkt.
RS20-US-S0575-0102-014H-001	3069719	1

Accessories

SF-SL 0,6X3,5-100 S-VDE	1212587	10
-------------------------	---------	----

Accessories

SF-SL 0,6X3,5-100 S-VDE	1212587	10
-------------------------	---------	----

Accessories

SF-SL 0,6X3,5-100 S-VDE	1212587	10
-------------------------	---------	----

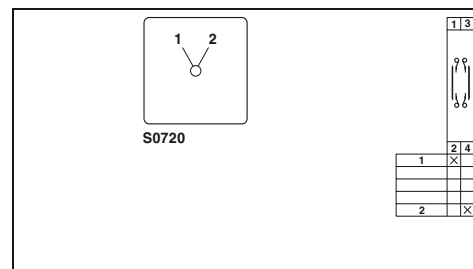
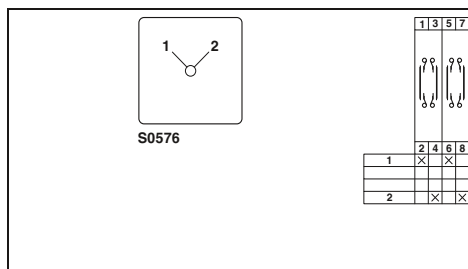
Notes:
For corresponding marker carriers, refer to Catalog 5.
1) For electrical values according to IEC 60947-3, see page 689.



2.5 (2.5) mm², 20 A, changeover switch without 0 position, with electrically isolated contacts



2.5 (2.5) mm², 20 A, changeover switch without 0 position, with electrically isolated contacts



Dimensions		[mm]	
Width	48	Length	72
Installation depth	43		
Max. electrical data			
I _{max.} [A]	20	U _{max.} [V]	690
max. Ø [mm ²]	0.5 - 2.5	AWG	18 - 14
Rated data			
IEC	UL/CUL	CSA	
Rated insulation voltage [V]	690 ¹⁾	-	-
Rated continuous current [A]	20	-	-
Cross section range AWG	20 - 14	-	-
Connection capacity			
solid	stranded	Ferrule	
		Without / with plastic sleeve	
1 conductor [mm ²]	0.5 - 2.5	0.75 - 2.5	2.5 - 2.5 1.5 - 1.5
Two conductors (of the same type) [mm ²]	0.5 - 2.5	0.75 - 2.5	2.5 - 2.5 -
Operating current, switching capacity		See page 689.	
Breaking capacity		See page 689.	
150 A (220 - 240 V)			
150 A (380 - 440 V)			
80 A (660 - 690 V)			
Immunity to short circuiting			
Max. backup fuse gL/gG characteristics [A]	25		
Rated short-time current resistance (1 s current) [A]	140		
General data			
Stripping length [mm]	8		
Tightening torque [Nm]	0.7 - 0.8		

Technical data			
Width	48	Length	72
Installation depth	43		
I _{max.} [A]	20	U _{max.} [V]	690
max. Ø [mm ²]	0.5 - 2.5	AWG	18 - 14
IEC	UL/CUL	CSA	
Rated insulation voltage [V]	690 ¹⁾	-	-
Rated continuous current [A]	20	-	-
Cross section range AWG	20 - 14	-	-
solid	stranded	Ferrule	
		Without / with plastic sleeve	
0.5 - 2.5	0.75 - 2.5	2.5 - 2.5	1.5 - 1.5
0.5 - 2.5	0.75 - 2.5	2.5 - 2.5	-
See page 689.			
150 A (220 - 240 V)			
150 A (380 - 440 V)			
80 A (660 - 690 V)			
Max. backup fuse gL/gG characteristics [A]	25		
Rated short-time current resistance (1 s current) [A]	140		
Stripping length [mm]	8		
Tightening torque [Nm]	0.7 - 0.8		

Technical data			
Width	48	Length	62.5
Installation depth	33.5		
I _{max.} [A]	20	U _{max.} [V]	690
max. Ø [mm ²]	0.5 - 2.5	AWG	18 - 14
IEC	UL/CUL	CSA	
Rated insulation voltage [V]	690 ¹⁾	-	-
Rated continuous current [A]	20	-	-
Cross section range AWG	20 - 14	-	-
solid	stranded	Ferrule	
		Without / with plastic sleeve	
0.5 - 2.5	0.75 - 2.5	2.5 - 2.5	1.5 - 1.5
0.5 - 2.5	0.75 - 2.5	2.5 - 2.5	-
See page 689.			
150 A (220 - 240 V)			
150 A (380 - 440 V)			
80 A (660 - 690 V)			
Max. backup fuse gL/gG characteristics [A]	25		
Rated short-time current resistance (1 s current) [A]	140		
Stripping length [mm]	8		
Tightening torque [Nm]	0.7 - 0.8		

Ordering data	
Description	Color
Changeover switch without 0 position, with electrically isolated contacts	silver/black
1 - 2 symmetrical	
Step switch with 0 position, four steps	silver/black
Step switch with 0 position, three steps	silver/black
Step switch without 0 position, three steps	silver/black

Ordering data		
Type	Order No.	Pcs. / Pkt.
RS20-US-S0576-0202-014H-001	3069720	1

Ordering data		
Type	Order No.	Pcs. / Pkt.
RS20-US-S0720-0102-014H-001	3069722	1

Accessories	
Screwdriver	SF-SL 0,6X3,5-100 S-VDE

Accessories		
SF-SL 0,6X3,5-100 S-VDE	1212587	10

Accessories		
SF-SL 0,6X3,5-100 S-VDE	1212587	10

N



2.5 (2.5) mm², 20 A, step switch with 0 position

N

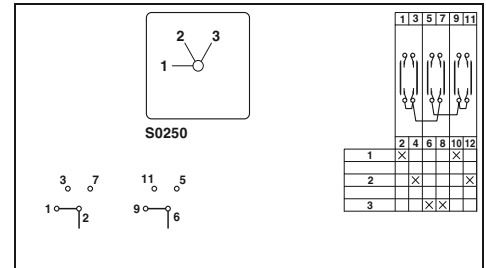
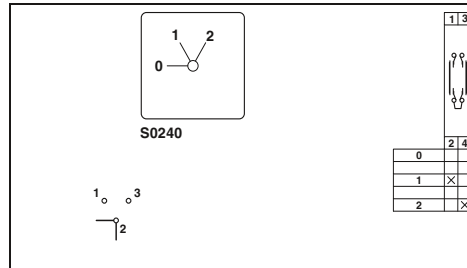
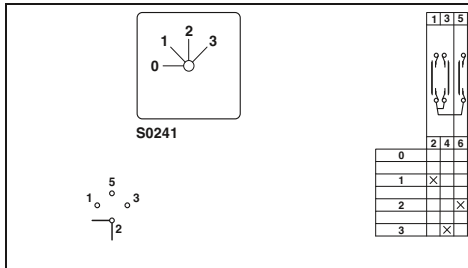


2.5 (2.5) mm², 20 A, step switch with 0 position

N



2.5 (2.5) mm², 20 A, step switch without 0 position



Technical data			
Width	Length	Installation depth	
48	62.5	33.5	
I _{max.} [A]	U _{max.} [V]	max. Ø [mm ²]	AWG
20	690	0.5 - 2.5	18 - 14
IEC	UL/CUL	CSA	
690 ¹⁾	-	-	
20	-	-	
20 - 14	-	-	
solid	stranded	Ferrule Without / with plastic sleeve	
0.5 - 2.5	0.75 - 2.5	2.5 - 2.5	1.5 - 1.5
0.5 - 2.5	0.75 - 2.5	2.5 - 2.5	-
See page 689.			
150 A (220 - 240 V)			
150 A (380 - 440 V)			
80 A (660 - 690 V)			
25			
140			
8			
0.7 - 0.8			

Technical data			
Width	Length	Installation depth	
48	72	43	
I _{max.} [A]	U _{max.} [V]	max. Ø [mm ²]	AWG
20	690	0.5 - 2.5	18 - 14
IEC	UL/CUL	CSA	
690 ¹⁾	-	-	
20	-	-	
20 - 14	-	-	
solid	stranded	Ferrule Without / with plastic sleeve	
0.5 - 2.5	0.75 - 2.5	2.5 - 2.5	1.5 - 1.5
0.5 - 2.5	0.75 - 2.5	2.5 - 2.5	-
See page 689.			
150 A (220 - 240 V)			
150 A (380 - 440 V)			
80 A (660 - 690 V)			
25			
140			
8			
0.7 - 0.8			

Technical data			
Width	Length	Installation depth	
48	81.5	52.5	
I _{max.} [A]	U _{max.} [V]	max. Ø [mm ²]	AWG
20	690	0.5 - 2.5	18 - 14
IEC	UL/CUL	CSA	
690 ¹⁾	-	-	
20	-	-	
20 - 14	-	-	
solid	stranded	Ferrule Without / with plastic sleeve	
0.5 - 2.5	0.75 - 2.5	2.5 - 2.5	1.5 - 1.5
0.5 - 2.5	0.75 - 2.5	2.5 - 2.5	-
See page 689.			
150 A (220 - 240 V)			
150 A (380 - 440 V)			
80 A (660 - 690 V)			
25			
140			
8			
0.7 - 0.8			

Ordering data		
Type	Order No.	Pcs. / Pkt.
RS20-US-S0241-0204-014H-001	3069716	1

Ordering data		
Type	Order No.	Pcs. / Pkt.
RS20-US-S0240-0103-014H-001	3069717	1

Ordering data		
Type	Order No.	Pcs. / Pkt.
RS20-US-S0250-0303-014H-001	3069718	1

Accessories		
SF-SL 0,6X3,5-100 S-VDE	1212587	10

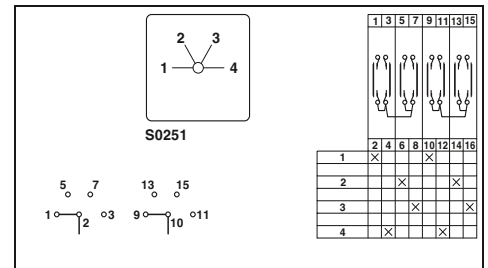
Accessories		
SF-SL 0,6X3,5-100 S-VDE	1212587	10

Accessories		
SF-SL 0,6X3,5-100 S-VDE	1212587	10

Notes:
For corresponding marker carriers, refer to Catalog 5.
¹⁾ For electrical values according to IEC 60947-3, see page 689.



2.5 (2.5) mm², 20 A, step switch without 0 position



Dimensions		[mm]
Max. electrical data		
Rated data		
Rated insulation voltage	[V]	690 ¹⁾
Rated continuous current	[A]	20
Cross section range	AWG	20 - 14
Connection capacity		
1 conductor	[mm ²]	0.5 - 2.5
Two conductors (of the same type)	[mm ²]	0.5 - 2.5
Operating current, switching capacity		See page 689.
Breaking capacity		150 A (220 - 240 V) 150 A (380 - 440 V) 80 A (660 - 690 V)
Immunity to short circuiting		
Max. backup fuse gL/gG characteristics	[A]	25
Rated short-time current resistance (1 s current)	[A]	140
General data		
Stripping length	[mm]	8
Tightening torque	[Nm]	0.7 - 0.8

Technical data			
Width	Length	Installation depth	
48	91	62	
I _{max.} [A]	U _{max.} [V]	max. Ø [mm ²]	AWG
20	690	0.5 - 2.5	18 - 14

IEC	UL/CUL	CSA
690 ¹⁾	-	-
20	-	-
20 - 14	-	-

solid	stranded	Ferrule	
		Without / with plastic sleeve	
0.5 - 2.5	0.75 - 2.5	2.5 - 2.5	1.5 - 1.5
0.5 - 2.5	0.75 - 2.5	2.5 - 2.5	-

Ordering data			
Type	Order No.	Pcs. / Pkt.	
RS20-US-S0251-0404-014H-001	3069721	1	

Accessories			
Screwdriver	SF-SL 0,6X3,5-100 S-VDE	1212587	10

Description	Color
Step switch without 0 position, four steps	silver/black

Electrical values according to IEC 60947-3, VDE 0660 Part 107

Rated data

Rated continuous current I_N/I_{th}		20 A
Rated insulation voltage U_i ¹⁾		690 V
Rated impulse withstand voltage U_{imp}		6 kV

Rated operating current I_o

AC-21A	Switching of ohmic loads including small overloads		20 A
AC-22A	Switching of mixed ohmic and inductive loads including small overloads	220 V - 500 V 660 V - 690 V	20 A 20 A
AC-15	Switching of solenoid drives, contactors, valves, pulling electromagnets	220 V - 240 V 380 V - 440 V	5 A 4 A

Switching capacity

AC-2	Starting of slip ring motors, reversing and plugging, star-delta startup	3-phase, 3-pos.	220 V - 240 V 380 V - 440 V 500 V 660 V - 690 V	4 kW 7.5 kW 10 kW 10 kW
AC-3	Direct starting of squirrel-cage motors, switching off during operation, star-delta startup (CH16B)	3-phase, 3-pos.	220 V - 240 V 380 V - 440 V 500 V 660 V - 690 V	3 kW 5.5 kW 5.5 kW 5.5 kW
		1-phase, 2-pos.	110 V - 120 V 220 V - 240 V 380 V - 440 V	0.6 kW 2.2 kW 3 kW
AC-4	Starting of squirrel-cage motors, reversing, plugging, inching	3-phase, 3-pos.	220 V - 240 V 380 V - 440 V 500 V 660 V - 690 V	0.55 kW 1.5 kW 1.5 kW 1.5 kW
		1-phase, 2-pos.	110 V - 120 V 220 V - 240 V 380 V - 440 V	0.3 kW 0.75 kW 1.5 kW
AC-23A	Frequent switching of motors or other highly inductive loads	3-phase, 3-pos.	220 V - 240 V 380 V - 440 V 500 V 660 V - 690 V	3.7 kW 7.5 kW 7.5 kW 7.5 kW
		1-phase, 2-pos.	110 V - 120 V 220 V - 240 V 380 V - 440 V	0.75 kW 2.5 kW 3.7 kW

Breaking capacity

	220 V - 240 V 380 V - 440 V 660 V - 690 V	150 A 150 A 80 A
--	---	------------------------

Max. ambient temperature of the contact unit ¹⁾

Open at 100% I_N/I_{th}	55°C over 24 hours with peaks up to 60°C
Encapsulated at 100% I_{the}	35°C over 24 hours with peaks up to 40°C

Switch types according to UL/CSA

Rated data

Rated continuous current I_N/I_{th}	20 A
---------------------------------------	------

Rated operating current I_o

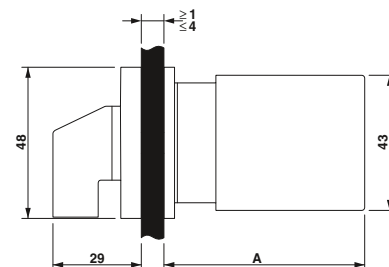
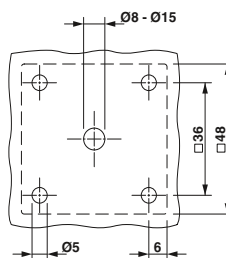
Pilot Duty		Heavy	A300 VAC
Ampere Rating	Non-inductive or low-inductive load		20 A

Switching capacity

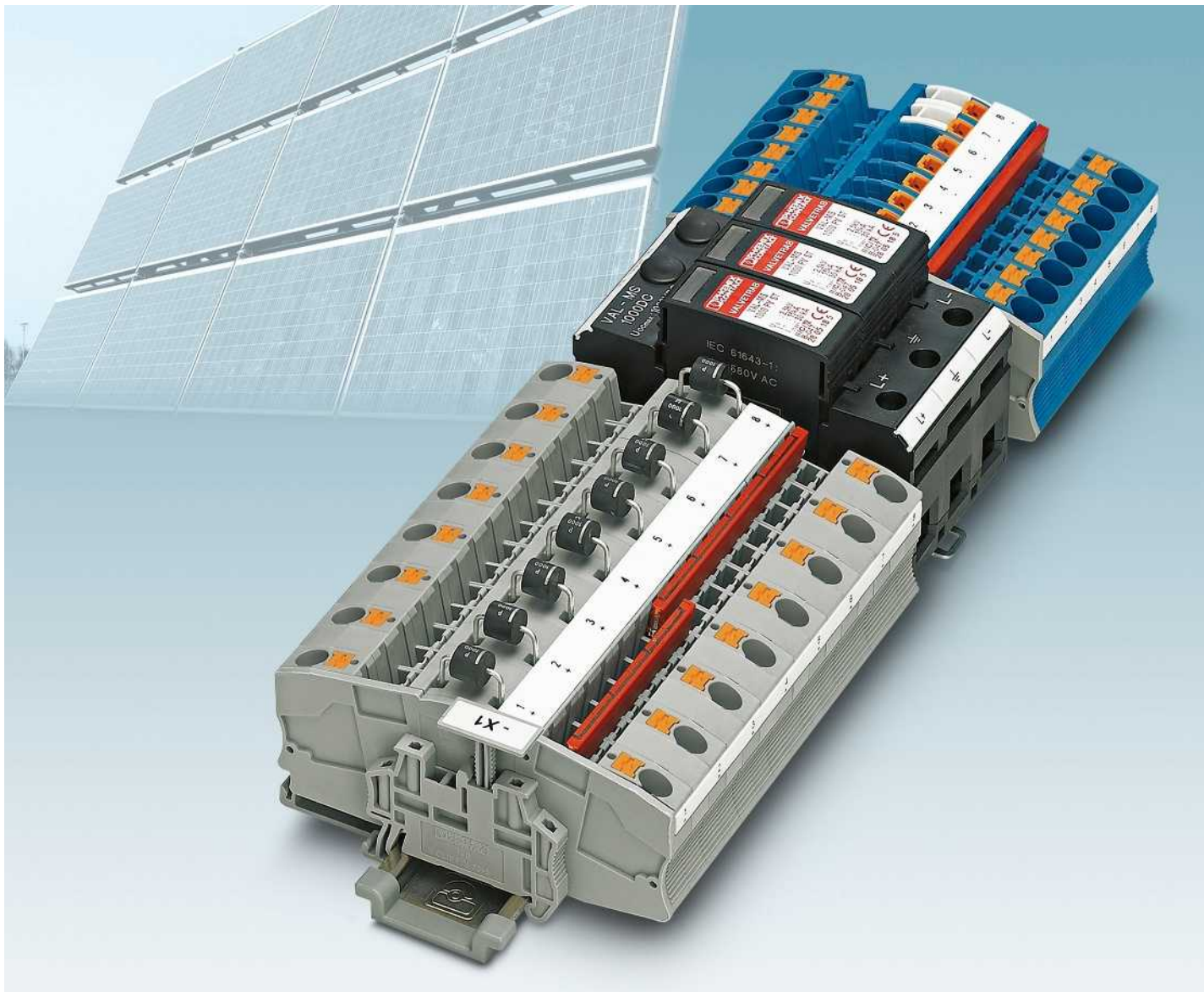
	Normal motor load, DOL rating (similar to AC-3)	3-phase, 3-pos.	110 V - 120 V 220 V - 240 V	1.5 HP 3 HP
		1-phase, 2-pos.	110 V - 120 V 220 V - 240 V 277 V	0.5 HP 1 HP 2 HP
	Heavy-duty motor load, reversing rating (similar to AC-4)	3-phase, 3-pos.	110 V - 120 V 220 V - 240 V	0.5 HP 1 HP
		1-phase, 2-pos.	110 V - 120 V 220 V - 240 V 277 V	0.17 HP 0.5 HP 0.6 HP

Installation depth, dimension A

[mm]	Order No.
33.5	3069705, 3069706, 3069707, 3069710, 3069714, 3069717, 3069719, 3069722, 3069723, 3069725
43	3069700, 3069702, 3069708, 3069709, 3069711, 3659715, 3069716, 3069720, 3069724, 3069726
52.5	3069701, 3069704, 3069712, 3069718
62	3069713, 3069721
71.5	3069703



¹⁾ Valid for networks with grounded star point, surge voltage category III, pollution degree 3. Values for other network types on request.
Storage temperature: -40°C to 85°C (no impact load permitted at temperatures below -5°C)



In the mix of renewable energies consisting of wind power, hydropower, biomass, and geothermal energy, solar power in Germany, for example, has taken the leading position. Throughout the world, solar energy generation offers the greatest potential and has enjoyed the most widespread acceptance.

While standard products can be used in the AC area of a solar plant, a more specific approach is required for the DC area as a result of its special structure and characteristics.

In order to keep cable losses to a minimum, PV modules are connected to strings, thereby increasing the system voltage. Non-load voltages of PV systems reach up to 1000 V DC.

These high DC voltages place particular demands on the components used. In contrast to AC voltage, the DC voltage that is present allows creepage distances to be created very easily on the surface of insulating elements. The components used in this area must therefore have increased air and creepage distances.

In order to limit reverse currents which can occur in the event of a short circuit, the individual strings are protected. This preferably takes the form of 10.3 x 38 mm fuses in crystalline modules and blocking diodes incorporated into the circuit in thin-film modules.

Modular terminal blocks and fuses from Phoenix Contact cleverly meet the special requirements of photovoltaic systems. You will find a summary of all components in the "Components and systems for photovoltaics" brochure.

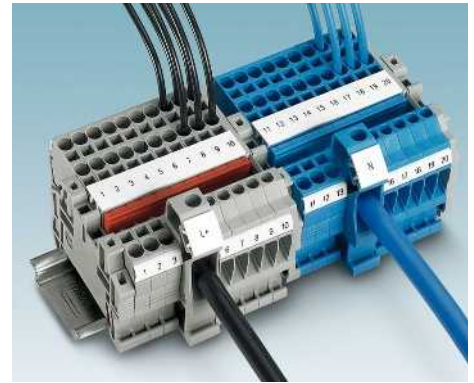
The corresponding photovoltaic terminal blocks can be found in the relevant sections covering the specific connection technology.



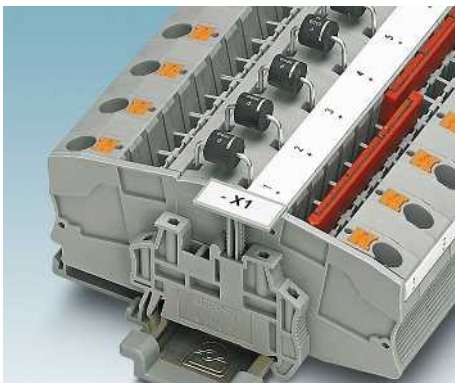
UK 10,3 HESI 1000V fuse terminal blocks protect individual strings against reverse currents. The optional LED signals a blown fuse. By using appropriate bridges, the line currents can be connected and accumulated.



Cables with larger cross sections are used for the connection between GCBs and inverters due to their higher currents and longer cable lengths. UKH ... and RBO ... terminal blocks can accommodate conductors with a cross section of up to 300 mm².



Potential collective terminal blocks are available for a quick and space-saving interconnection of individual strings. The output side accommodates conductors up to 35 mm² in a screw terminal block unit.



The STME 6-DIO HV and PTME 6-DIO HV diode terminal blocks serve as line diodes and are used in thin-film photovoltaic systems to prevent reverse currents. This means that the often sensitive thin-film modules are ideally protected to provide long-term stability.



The STME 6 HV and PTME 6 HV disconnect terminal blocks provide a disconnection option for maintenance and repair work. Once the photovoltaic system has been switched off, a single line can be disconnected via the disconnect terminal block.



In photovoltaics, cables with double insulation are used on the DC side. Cables with an outside diameter of up to 7.5 mm can be inserted through the single-sided open cable entry funnel without any problem.



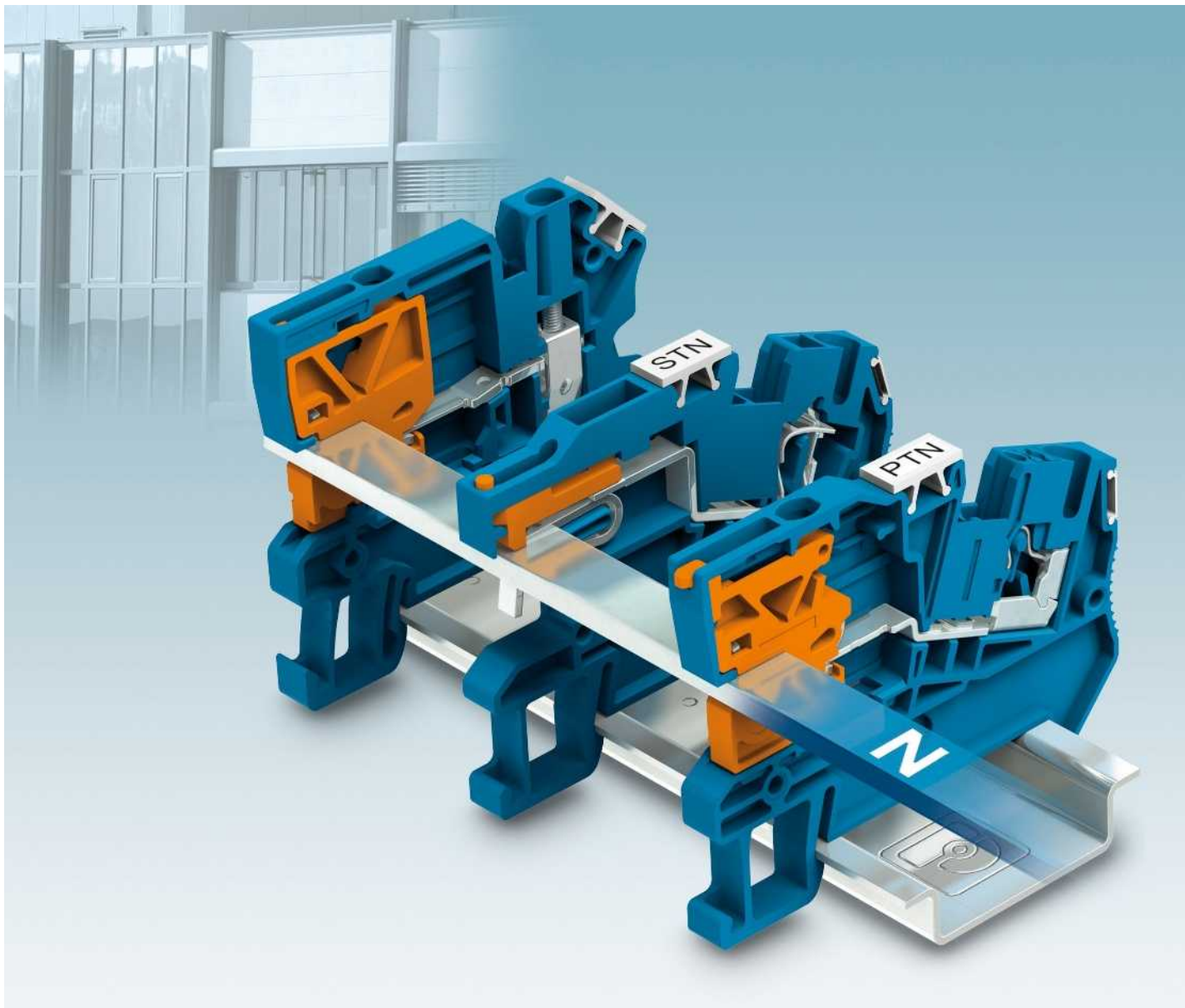
The DC line fuses feature a specially coordinated, ultra-fast gPV characteristic. They can safely and permanently transfer nominal currents of up to 20 A at system voltages of 1000 V and protect lines against reverse currents in the event of an error.



Large photovoltaic systems are being set up at increasing speeds. In order for such systems to be built both quickly and safely on site, solutions in the form of pre-assembled terminal strips or finished GCBs can be extremely helpful.



Due to the nature of the system, photovoltaic systems are constantly exposed to direct sunlight. Special UV-resistant marking materials ensure that terminal blocks, conductors, and devices can be reliably identified, even after years of use.



Electrical installations in communal facilities such as schools, hospitals, assembly points, restaurants, and all public buildings must fulfil special normative requirements. Insulation resistances must be measured during startup or when servicing the system in accordance with DIN VDE 0108-100 (EN 50172) without directly disconnecting the neutral conductor. Installation terminal blocks from Phoenix Contact are precisely tailored to the requirements of electrical installations and distributor construction.

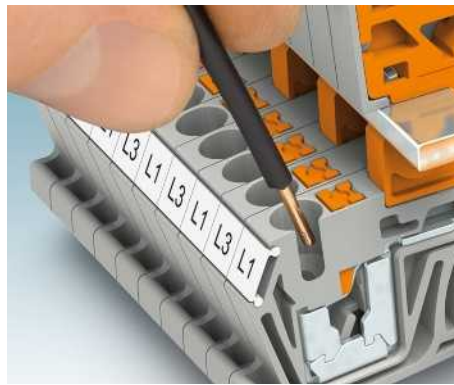
The neutral conductor can be conveniently separated for test purposes by means of a screwless, spring-loaded disconnect metal. When it is simply levered over with a standard screwdriver, it makes contact on the 3 x 10 mm standard profile. The disconnect slide locks into the end positions and the switching states are clearly signaled. These are sound prerequisites for the quick and safe testing of all versions. The double function shafts allow potentials to be multiplied with ease. Clearly visible marking surfaces and testing facilities at every terminal point ensure clarity, regardless of the mounting position.

Numerous versions with screw, spring-cage or push-in technology are available for all applications, and all versions are completely compatible.

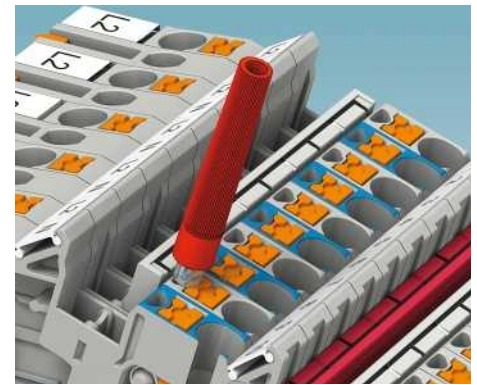
The corresponding installation terminal blocks can be found in the relevant sections covering the specific connection technology.



The screwless disconnect slide makes contact when it is simply slid onto the neutral busbar using a standard screwdriver. The switch position of the disconnect slide is clearly signaled.



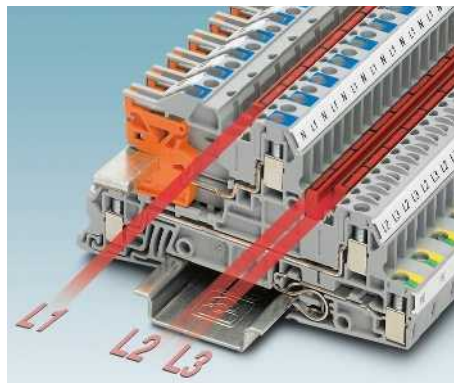
PTI installation terminal blocks with push-in connection can be wired without tools. Strip the conductors, plug them in, and you're done. This represents a clear advantage in terms of the time it takes to perform wiring. The terminal blocks can be released using the actuation lever made from insulation material.



All installation terminal blocks are equipped with test openings on every level. All measurements and testing can therefore be carried out quickly and easily, even when all function shafts are occupied.



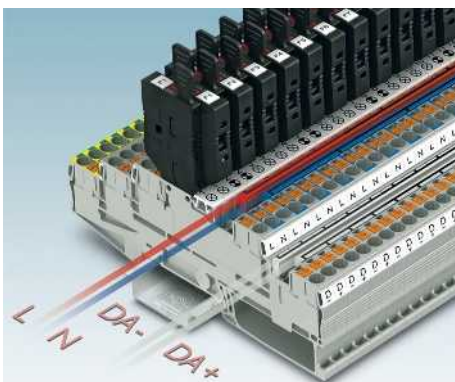
Each terminal point supports clear, large-surface labeling. Markings are clearly visible at each mounting position in the installation distributor.



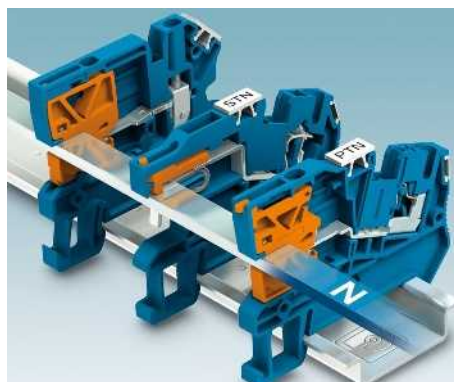
Double function shafts on each level provide comprehensive potential distribution. Even three-phase connections can be implemented conveniently and in a compact space with a design width of just 10 mm. Lateral distribution is performed with FBS ... plug-in bridges.



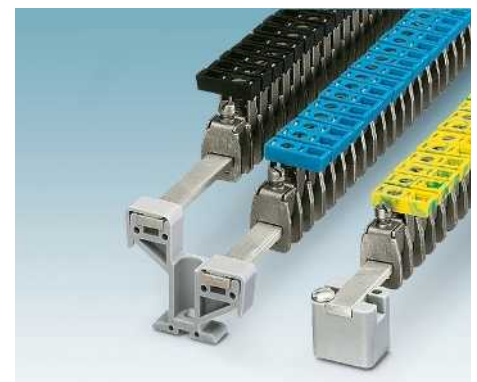
The special shape of all installation terminal blocks from Phoenix Contact means that they can be subsequently snapped on or off in an interconnected arrangement. It is therefore not necessary to remove the neutral busbar when extending or removing terminal blocks.



The PTB installation terminal blocks are particularly suitable for DALI bus applications. The multi-level terminal blocks feature comprehensive bridging options as well as a function zone.



Installation systems from Phoenix Contact are available with various connection technologies. Regardless of the type, design or conductor connection, all are compatible and can be freely combined with one another.



You will find a comprehensive range of installation accessories such as power/pick-off terminal blocks, busbar supports, and cover profiles in the "SK shield connection clamps" section and in Catalog 5.



Services - terminal strips, control boxes, planning and marking software

Our services

At Phoenix Contact, trendsetting products are complemented by a comprehensive range of services tailored to your needs. This covers ready-made terminal strips, control boxes, as well as printed marking materials.

Planning and marking software

The CLIP PROJECT software consists of two modules:

- CLIP PROJECT Planning enables the quick and convenient planning and configuration of fault-free terminal strips.
- CLIP PROJECT Marking is a powerful piece of software for the creation of individual labels for terminal blocks, cables, lines, devices, and systems.

Thanks to the optimum interaction between the two modules, even in connection with electrical planning systems, the result is an end-to-end process chain: from planning and documentation, right up to the finished terminal strip or the finished marking.

The advanced version, CLIP PROJECT professional, also features an efficient template designer, which can be used to design custom labels.

The following product ranges can be found in Catalog 5

MARKING system marking systems
MARKING system provides the perfect solutions for terminal, conductor, device, and system marking.

TOOL fox tools

TOOL fox is the complete range of professional processing and measuring tools.

CABINET add-on mounting material

CABINET add-on stands for modern control cabinet technology.

Product range overview

Service	697
Terminal strips	697
Control boxes	700
Planning and marking software	702

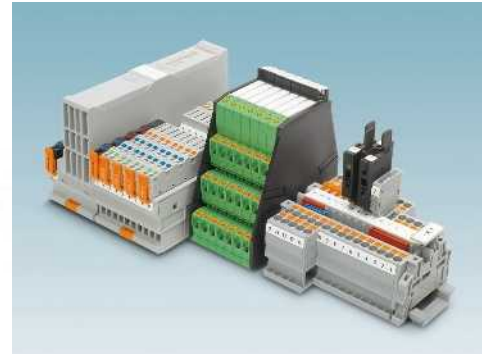
Our services

At Phoenix Contact, trendsetting products are complemented by a comprehensive range of services. Wherever you are in the world, our global network means that you can rely on our service. Being at home all over the world and speaking the language of the user is what we understand by customer proximity. We live up to this with more than 40 Phoenix Contact subsidiaries and in excess of 30 representatives in other countries.



Terminal strip production

Pre-assembled terminal strips enable you to both streamline your process sequences and save installation time. We supply your terminal strips fully labeled.



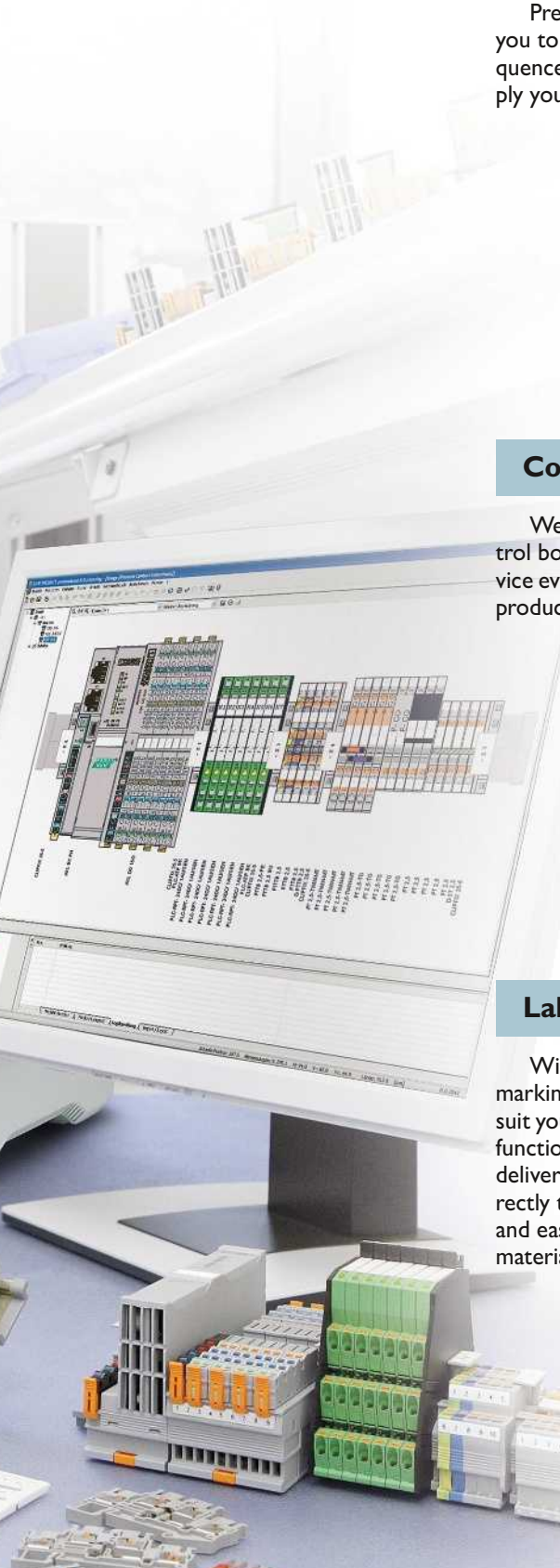
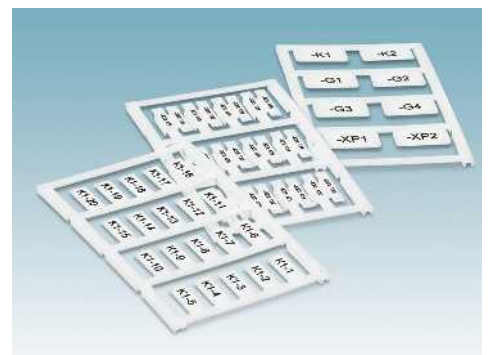
Control box production

We can produce fully assembled control boxes to your specifications. Our service even includes putting together custom product sets.



Labeling service

With CLIP PROJECT, the planning and marking software, you can create labels to suit your wishes. Just use the built-in e-mail function to send the data to us, and we will deliver ready-printed marking materials directly to your production facility. Quick and easy – all you have to do is mount the materials.



A consistent system from configuration through to the finished application

CLIP PROJECT combines the proven planning software for terminal strip configuration with a high-performance marking tool. Direct data exchange with all conventional CAE programs, along with the creation of the complete project documentation, are what make this configuration software unique. CLIP PROJECT provides the perfect output devices and marking materials for terminal, conductor, device, and system marking. Quite simply, it is a single piece of software that is compatible with all printing systems and can be used to label any type of application.

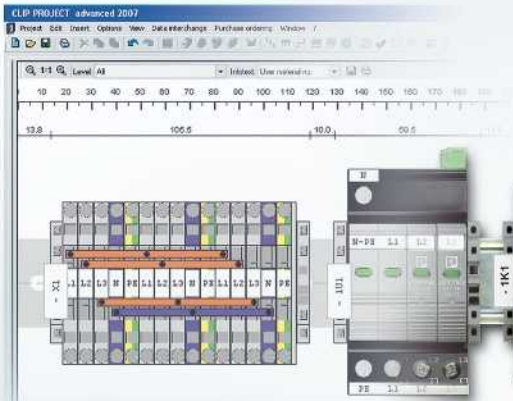
Configuration ...

Production ...



Printing systems
From high-speed printers to universal lists.





Complete documentation
CLIP PROJECT creates complete order, parts, structure, and mounting lists at the click of a mouse.

... Mounting



We make everything to suit your requirements
With CLIP PROJECT, you can create markers or complete terminal strips in accordance with your specifications. Just send the data to us using the built-in e-mail function.
We can provide markings that are printed precisely to meet the requirements of your application or even completely labeled terminal strips. Direct to your production facility, quickly and easily - all you need to take care of is installation.



The perfect solution for every application. We integrate your selected components or pre-assembled terminal strips into the right industrial housing, regardless of whether they are made from stainless steel, sheet steel, aluminum, polyester or polycarbonate.

Just install the control boxes and you're done. We also offer consultation and a range of services for this. Our staff will be happy to work with you on site to create the ideal solution for your application, precisely tailored to your requirements.

Make the most of our comprehensive technical and industry-specific expertise. Reduce your planning and assembly time to a minimum with pre-installed terminal strips and housing solutions.

- Our services at a glance:
- Joint creation of solutions from components for the control cabinet to assembled terminal strips right through to a completely assembled housing
 - Phoenix Contact will also implement these solutions - including the creation of project-relevant documentation

Make the most of our comprehensive product portfolio and range of services to create your optimum solution.



We work together with you to develop a tailor-made solution - perfectly matched to your application and needs. Make the most of our international sales network and local market proximity.



The Phoenix Contact product portfolio not only offers the right components for your control cabinet, but is also a solid foundation for creating complete housing solutions for your system installation.



With the CLIP PROJECT planning and marking software, we can plan, configure, and create your terminal strip quickly and easily for subsequent integration into the desired housing.



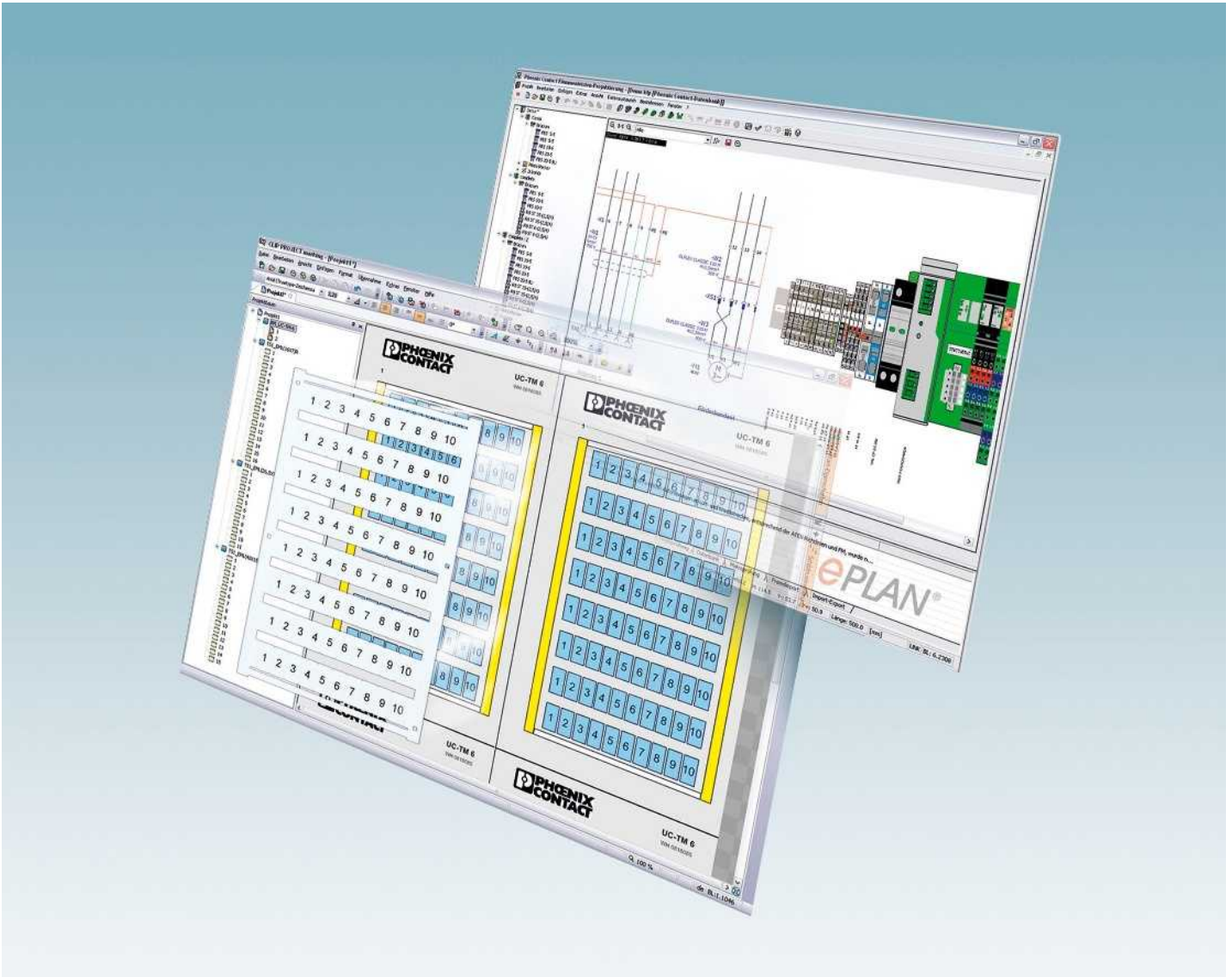
We create complete terminal strips, sets, and mounting plates in accordance with your specifications, and these are consistently labeled and delivered to you for direct mounting. This reduces your installation time to a minimum.



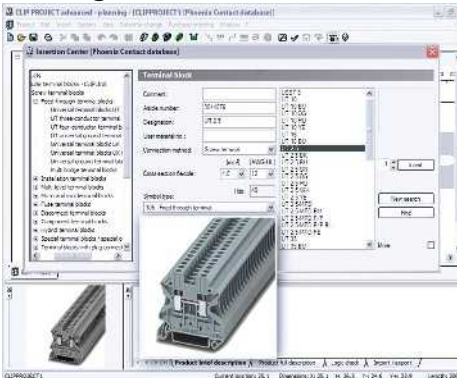
A complete housing solution also includes the quick and easy insertion of cables into the housing. With standard cable glands and the CES cable entry system, products with up to IP66 protection are available which meet this requirement.



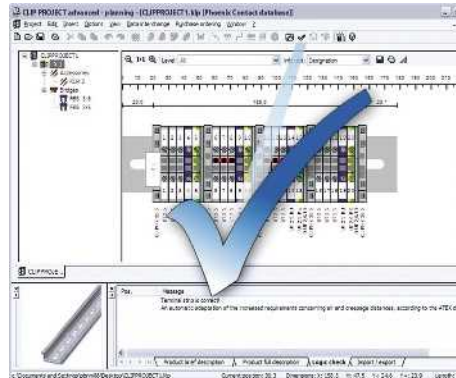
With the MARKING System marking system, informative and standard-compliant marking of control cabinets, switchgear, and their components can be implemented quickly, easily, and with high durability.



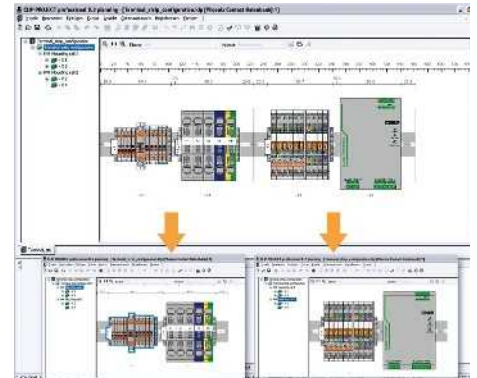
Planning module



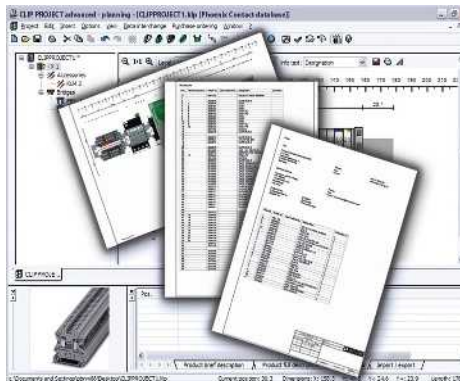
During selection, all Phoenix Contact products which can be fitted on DIN rails are displayed as a preview for rapid product selection.



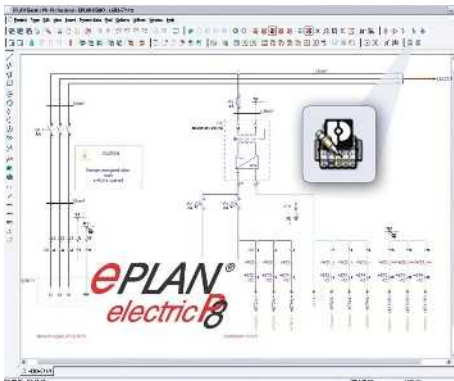
The automatic correction function checks the configured terminal strip and automatically adds any missing accessories. 2D and 3D design data is available with a click of the mouse.



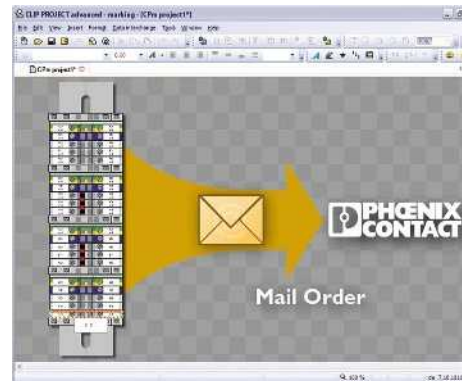
The configured terminal strips can be distributed across several DIN rails in order to determine the exact space requirements for installation.



Complete documentation and an effective 3D preview are available for rapidly and correctly producing the mechanical structure of the terminal strips.

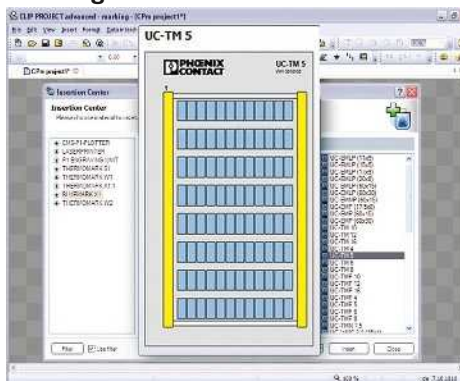


By integrating CLIP PROJECT into EPLAN P8, terminal strips are automatically produced from the circuit diagram in CLIP PROJECT. The product data is written back to the EPLAN parts lists using the two-way interface.

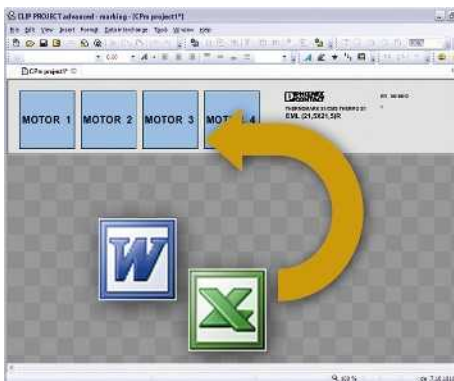


Phoenix Contact provides a terminal strip service. The terminal strips configured to suit your requirements can be ordered using the e-mail function. Phoenix Contact will supply the terminal strips promptly.

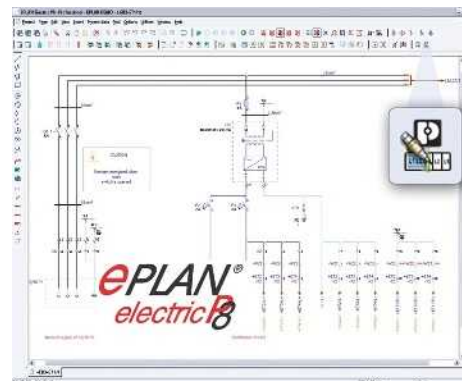
Marking module



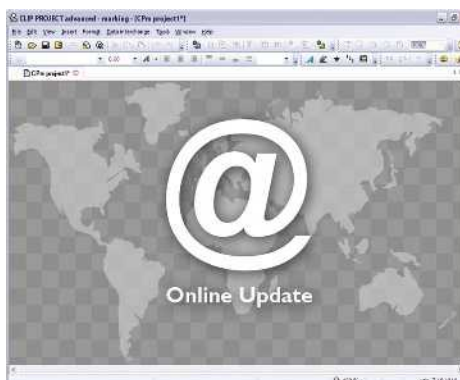
During selection, the marking materials are displayed as a preview for rapid product selection.



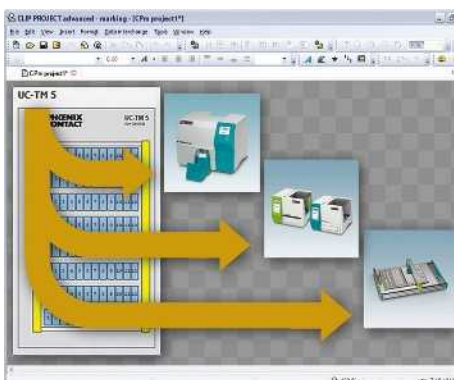
Interfaces to all CAE systems and spreadsheet and text processing programs are provided for the open exchange of data.



By integrating CLIP PROJECT into EPLAN P8, the labeling data for terminal, conductor, and device marking can be automatically taken from the circuit diagram.



The online update immediately provides the user with new products and program extensions for the marking and planning module.



All Phoenix Contact output devices and standard office printers can be easily controlled with just one piece of software.



Phoenix Contact provides a labeling service. Orders can be placed by email and all items printed and supplied to suit the customer.

Planning and marking software

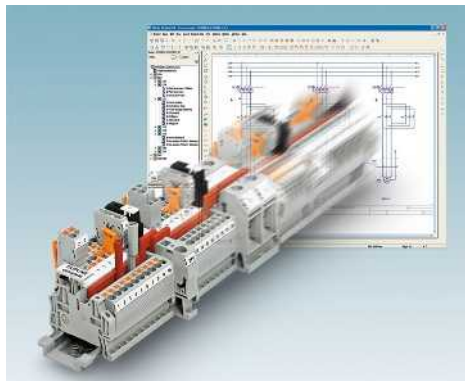
CLIP PROJECT advanced

The CLIP PROJECT advanced program enables the quick planning and configuration of terminal strips for the control cabinet and field as well as custom-marking of terminal blocks, cables, and lines, plus devices and systems:

- Planning of terminal strips with components of the CLIPLINE, INTERFACE, TRABTECH, and AUTOMATION product ranges
- The automatic correction function performs a logical test of the terminal strips and automatically adds the necessary accessories such as covers and end brackets
- The terminal strip configurator enables the distributed arrangement of individual terminal strips on different DIN rails
- 3D preview and complete documentation of the assembled DIN rails, such as order and mounting lists
- High-performance import of labeling information and extensive design options for the custom-labeling of terminal blocks, cables, and lines, as well as devices and systems
- Numerous sorting and filter functions for efficient management of your print jobs
- Support for all marking materials and output devices from Phoenix Contact
- Automatic Internet update
- Intuitive Windows® user interface

To reduce engineering costs and improve data quality, CLIP PROJECT advanced allows two-way data exchange with electrical planning systems:

- With the circuit diagram as the basis, the required products are automatically selected and their complete data written back to the parts lists
- The labeling information can be automatically exported and assigned to the desired marking materials
- In order for the labeling to be assigned clearly, even in the case of extensive projects, the project structure tree from the CAE system has been adopted in CLIP PROJECT; this also allows the labeling to be output to subprojects



General data

Software interface

System requirements

Operating systems

Description

CLIP PROJECT advanced, planning and marking software, German/English/French/Dutch/Italian/Spanish/Russian/Polish/Hungarian/Czech/Turkish/Portuguese/Chinese and Japanese

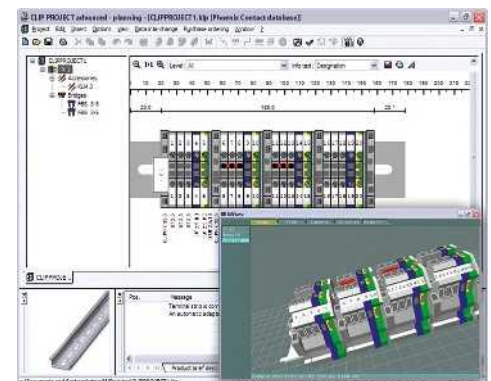
Technical data

EPLAN 5.7
EPLAN Electric P8
AUCOTEC ELCAD
AUCOTEC Engineering Base
AUCOTEC RUPLAN
ZUKEN E³
Bentley Promis-e
WSCAD
IGE XAO
PC-Schematic AUTOMATION
SDProjet SPAC

MS Windows XP SP3, MS Windows Vista, MS Windows 7 (32/64-bit), MS Windows 8 (32/64-bit)

Ordering data

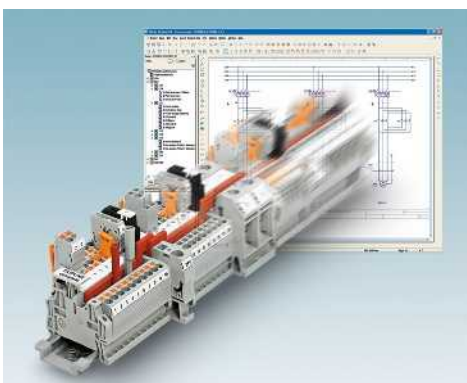
Type	Order No.	Pcs. / Pkt.
CLIP-PROJECT ADVANCED	5146040	1



CLIP PROJECT professional

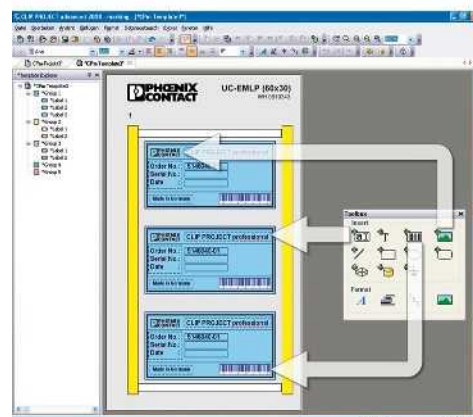
The CLIP PROJECT planning and marking software is available in both an advanced and professional version:

- The professional version also includes an efficient template designer, which can be used to design signs of your choice and to adapt existing material descriptions
- Graphics, various barcode types, and geometric elements such as squares, circles, and lines can be accessed for design work
- Data can also be imported into the templates from various data sources
- Quick, easy, and flexible adaptation to changing requirements



General data
Software interface
System requirements
Operating systems
Description
CLIP PROJECT professional, planning and marking software, with template designer , German/English/French/Dutch/Italian/Spanish/Russian/Polish/Hungarian/Czech/Turkish/Portuguese/Chinese and Japanese

Technical data		
EPLAN 5.7 EPLAN Electric P8 AUCOTEC ELCAD AUCOTEC Engineering Base AUCOTEC RUPLAN ZUKEN E ³ Bentley Promis-e WSCAD IGE XAO PC-Schematic AUTOMATION SDProget SPAC		
MS Windows XP SP3, MS Windows Vista, MS Windows 7 (32/64-bit), MS Windows 8 (32/64-bit)		
Ordering data		
Type	Order No.	Pcs. / Pkt.
CLIP-PROJECT PROFESSIONAL	5146053	1



Quality in quantity



Integrated management system

The aim of the Phoenix Contact integrated management system is to coordinate all the requirements regarding products, processes, and organization.

Statutory and regulatory requirements, as well as those of international standards and our customers, are met and, in some cases, even exceeded in all phases of the product lifecycle.

In the Phoenix Contact management system, the integration of quality, environmental protection, and safety in the workplace is monitored each year for conformance by internationally recognized independent bodies. Certification in accordance with international standards ISO 9001, ISO 14001, and BS OHSAS 18001 is the result of our corporate philosophy of meeting the needs of our customers, staff, and environment as best as possible. They serve as the basis for innovative products with the familiar high Phoenix quality standard, actively practiced environmental protection, and responsibility in the field of occupational health and safety. Of course, we integrate all further requirements of standards, international approvals or special customer requirements into company processes.

This system provides a building block for the success of the Phoenix Contact Group and its products and services.

CE marking

The CE mark was introduced as an important instrument for the free movement of goods and services within the single European market. By attaching the mark to a product, the manufacturer confirms that it complies with all applicable European Union (EU) directives. EC directives describe the product properties with regard to device safety and avoiding danger. These are legally binding regulations

of the European Union (EU). In other words, compliance with the requirements is a **statutory condition for marketing the product within the EU.**

Where applicable, the products that our company currently manufactures fall within the scope of the following directives:

- 2006/95/EC
Electrical equipment designed for use within certain voltage limits (Low Voltage Directive)
- 2004/108/EC
Electromagnetic compatibility (EMC Directive)
- 2006/42/EC
Safety of machinery (Machinery Directive)
- 94/9/EC
Equipment and protective systems intended for use in potentially explosive areas (ATEX Directive 100a)
- 1999/5/EC
Radio and telecommunications terminal equipment (R&TTE)

The standards upon which the specified directives are based, have been part of our standard of development for a long time.

This guarantees conformance with European directives. The numbers of the directives indicate their version at the time of publication. In the event of changes to directives and/or standards, our products will undergo conformity assessment again in good time and a new declaration of conformity will be issued simultaneously. The current declarations for each product can also be found in our Download Center.

The EMC Directive occupies a special place among the European directives listed. It defines electromagnetic compatibility as a fundamental property of devices based on mandatory guidelines. European Law therefore acknowledges the electromagnetic compatibility of devices and systems as an important condition for error-free operation of machinery and systems. Phoenix Contact is one of the leading international companies in surge protection, and therefore possesses broad expertise in EMC. This expertise and the experience gained over years of developing and applying industrial interface and communication technology have resulted in our products having an extremely high standard of quality with regard to electromagnetic compatibility. It was with a view to providing other companies with this expertise that our associate company, Phoenix Testlab, was founded. Phoenix Testlab GmbH is an independent, accredited service provider offering EMC testing that conforms to European standards. At Phoenix Testlab, devices are also tested with regard to their electrical safety, mechanical influences, and their behavior in

relation to environmental influences. Furthermore, Phoenix Testlab is a “Notified Body” in accordance with EMC Directive 2004/108/EC and according to R&TTE Directive 1999/5/EC for radio and telecommunications terminal equipment. As a “Telecom Certification Body” (TCB), Phoenix Testlab may also approve these products for markets in the USA, Canada, and Japan.

Standards and regulations

All relevant standards and regulations are used as the basis for the development and maintenance of our products.

International standards are subject to continuous changes as a result of harmonization and new developments. In line with this process, the current version of all standards that are relevant to our products is documented in the product area on our website at

www.phoenixcontact.net/products.

Online product information service on the web



































Phoenix Contact's product range is growing constantly.

Due to our commitment to product monitoring, all products are subject to improvement.

The Internet is an ideal platform to quickly communicate new product developments and improvements to the market.

You can quickly access the relevant Phoenix Contact website for your region via www.phoenixcontact.com. Here, you will always find the latest overview of products, solutions, and services from Phoenix Contact. This includes technical documents, such as data sheets and user manuals, the latest driver and demo software, plus a means of contacting the appropriate contact person directly.

Overview of certification bodies and safety marks

Certification bodies and approvals		Country code	Explosion protection		Country code	Ship classification societies		Country code
	IECEE CB Scheme (in combination with certifying body)	International	 Ex	FM Approvals	US		Bureau Veritas	FR
CCA	CENELEC Certification Agreement (CCA inspection report) (in combination with certifying body)	EU		DEKRA Certification B.V.	NL		Germanischer Lloyd AG	DE
	Canadian Standards Association (CSA)	CA		Physikalisch-Technische Bundesanstalt	DE		Lloyd's Register EMEA	GB
	Underwriters Laboratories Inc. (UL)	US		QS Schaffhausen	CH		Nippon Kaiji Kyokai	JP
	Underwriters Laboratories Inc. (UL) - UL approval for Canada -	CA		VTT Expert Services Oy	FI		Det Norske Veritas	NO
	Underwriters Laboratories Inc. (UL) Combined logo - UL approval for the USA and Canada -	US CA		IBExU Institut für Sicherheitstechnik GmbH	DE		Polski Rejestr Statków	PL
	INSIEME PER LA QUALITA'E LA SICUREZZA	IT		TÜV Rheinland do Brasil	BR		Russian Maritime Register of Shipping	RU
	Gosudarstvenne Komitet Standartov (GOST)	RU		Underwriters Laboratories Inc. (UL)	US		Korean Register of Shipping	KR
	DEKRA Certification B.V.	NL		TÜV Nord	DE		American Bureau of Shipping	US
	Österreichischer Verband für Elektrotechnik	AT		DEKRA EXAM GmbH	DE			
	South African Bureau of Standards	ZA						
	electrosuisse SEV Verband für Elektro-, Energie- und Informationstechnik	CH						
	Verband Deutscher Elektrotechniker e.V. (VDE) - Approval of drawings - Reports with production monitoring	DE						
	Berufsgenossenschaft (BG) GS - Geprüfte Sicherheit	DE						
	TÜV Rheinland Industrie Service GmbH	DE						

Note:

Subject to changes that serve the purpose of technical progress.

Modular terminal block standards and regulations

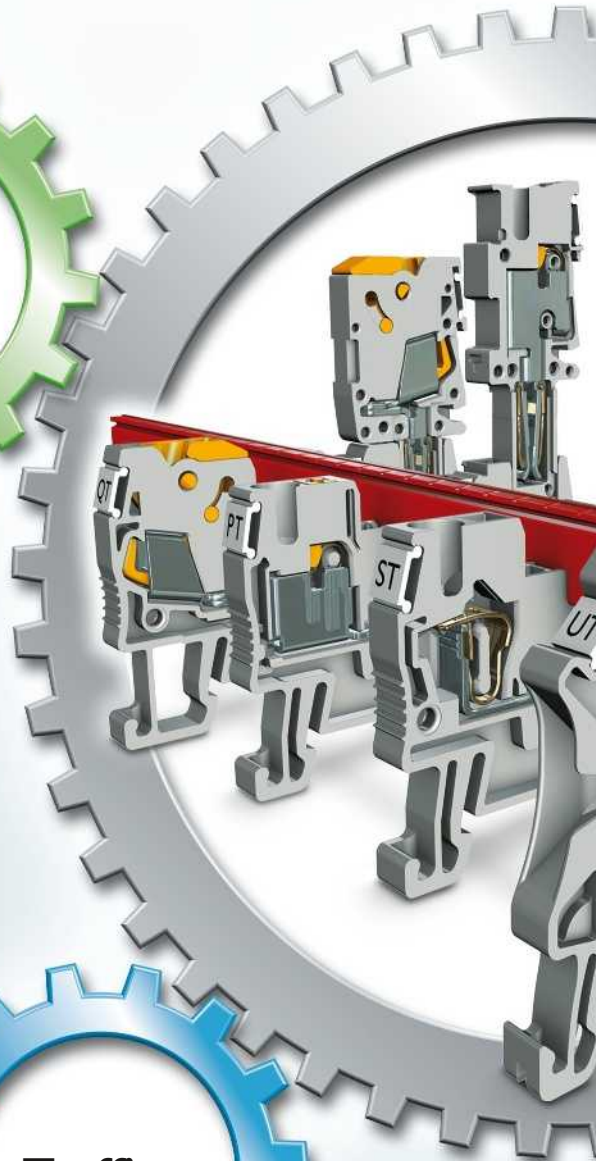
Expertise in connection technology

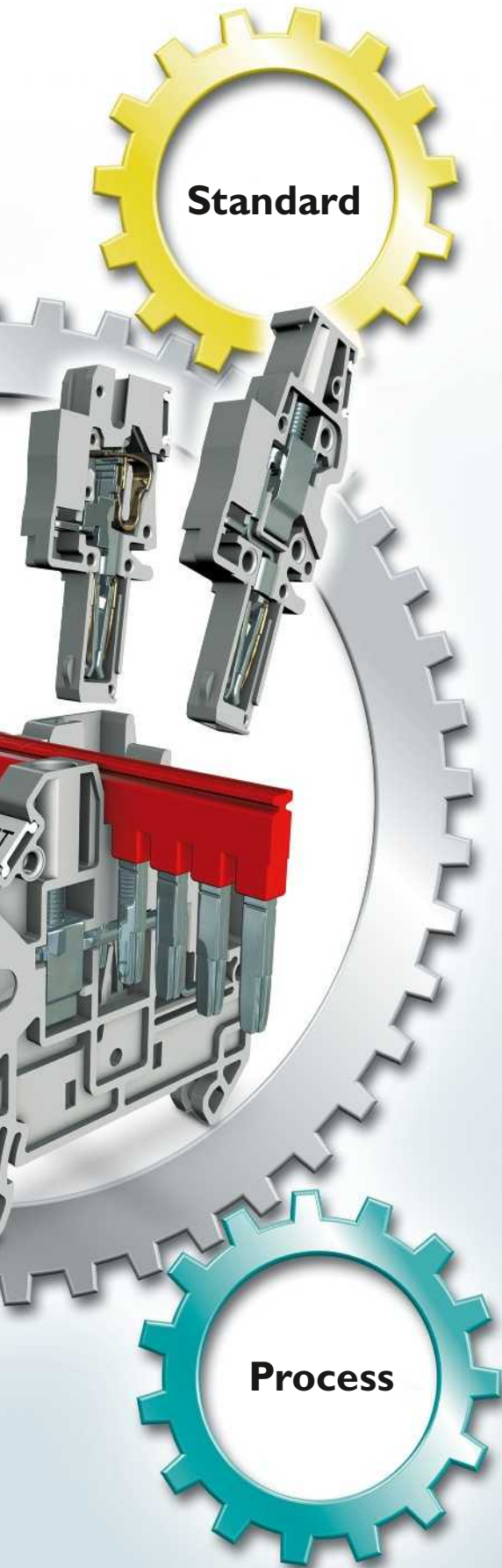
CLIPLINE complete

Thanks to the implementation of appropriate design measures and the use of high-grade materials, the modular terminal blocks from Phoenix Contact exceed the requirements imposed by standards.

The modular terminal blocks are subjected to tests which go beyond the basic modular terminal block standard, enabling them to be used in all sectors of industry, such as power supply, traffic engineering, process engineering, in particular the chemical and petrochemical industry or shipbuilding.

The following industry-specific standard tests are performed on the modular terminal blocks.





ATEX



Modular terminal blocks for potentially explosive areas



Phoenix Contact offers an extensive range of Ex-approved connection technology for process engineering. Thanks to the high-quality contact and insulation materials, the modular terminal blocks are particularly suited to rough, potentially explosive industrial applications. The modular terminal blocks from Phoenix Contact which have been approved for the potentially explosive area are mainly standard terminal blocks. In addition to the usual approvals and in accordance with standard IEC/EN 60079-7, they also have an IECEx and ATEX certificate from one of the EU-authorized testing centers (DEKRA, PTB, SEE, etc.).

It is therefore not necessary with modular terminal blocks from Phoenix Contact to differentiate between Ex and non-Ex terminal blocks in the warehouse. The advantages are clear.

Protection type Ex e

The modular terminal blocks on the website listed below meet the requirements for protection type "Increased safety" Ex e, taking into consideration the installation instructions. The modular terminal blocks are therefore approved for installation in zone 2 and in zone 1 in particular, i.e., in the actual Ex area. The latter, however, only on condition that the terminal blocks are installed in connection boxes which are also approved for protection type Ex e and have the equivalent of at least IP54 protection.

The available Ex e approved modular terminal blocks can be divided into the following groups:

- Screw connection terminal blocks
- Spring-cage connection terminal blocks
- Push-in connection terminal blocks
- Fast connection terminal blocks
- Mini terminal blocks
- Terminal blocks for specialized applications

Protection type Ex i

No special approval is required for modular terminal blocks in applications with protection type Ex i "intrinsic safety". In addition to Ex e-approved terminal blocks, standard terminal blocks can be used here as well. The increased requirements for air and creepage distances:



- Between adjacent terminal blocks
- Between terminal blocks and grounded metal parts

As well as distances through rigid insulation are specified in IEC/EN 60079-11.

More detailed information on modular terminal blocks in the Ex "e" and "i" areas is available in the product area on our website at:

www.phoenixcontact.net/products as a download for the approved products.


Here you will find the following:

- Technical data according to IEC/EN 60079
- Approved accessories
- Important installation instructions and mounting diagrams

Marking


The explosion-protected equipment must be marked in such a way as to guarantee that it is used correctly in accordance with its safety characteristics. The marking of equipment is described in harmonized standard IEC/EN 60079. Modular terminal blocks with protection type "increased safety" must be appropriately marked.

ATEX Directive 94/9/EC

Manufacturer or trademark	
Address of the manufacturer	32823 Blomberg, Germany
Number of the notified body	0344

Common marking in the EU	
Equipment group	II
Equipment category	2
Use in atmospheres	
Gas and/or Dust	G D

Standard labeling according to EN/IEC 60079-0 for increased safety "e"

Manufacturer or trademark	
Type designation	UT 2,5...
Abbreviation of the explosion protection	Ex
Protection type	e
Equipment group	II
ID of the notified body	KEMA

Certificate No.	04ATEX2048U
Year of issue	04
Directive ID	ATEX
Processing No.	2048
ID for components	U

Worldwide explosion protection

IEC 60079

Explosion protection around the world is mainly based on the IEC 60079 series of international standards and European and American standards and directives.

In North America, the basis for this is the National Electric Code (NEC) in the USA and the Canadian Electrical Code (CEC) in Canada. Directive 94/9/EC (ATEX 100a) is of particular importance to manufacturers of devices and protective systems within CENELEC countries of the European Community and beyond. We accommodate the international concept with IECEx certificates. This means that use in zone 1 and 2 in protection type Ex e “increased safety” is permitted. However, this is only under the condition that the terminal blocks are enclosed in type-tested housings which meet the requirements for protection type “e” increased safety.

Requirements for modular terminal blocks

The protection types “d” pressure-tight encapsulation, “p” pressurized encapsulation, and “m”, “q”, “o” (molded, sand or oil encapsulation) do not present any special requirements for modular terminal blocks. The protection principle of increased safety “e” (IEC/EN 60079-7) is generally based on increased constructional measures. The most important ones for modular terminal blocks are:

- Air and creepage distances
- Modular terminal blocks must be secured against loosening, fastened and designed so that the cables cannot come loose or be impermissibly damaged by the terminal point.
- The contact pressure must not be transmitted over insulating parts.
- Modular terminal blocks that are intended for the connection of multi-strand conductors must be fitted with an intermediate elastic element.

These requirements and the technical data are checked by an independent testing institute (notified body, e.g., DEKRA, PTB, TÜV, etc.) and certified by the appropriate certificate. The following tests must be verified by the type examination:

- Type test in accordance with IEC 60947-7-1/-2
- Proof of air and creepage distances and insulation testing



Ex e-certified products in accordance with IEC/EN Ex are subject to compulsory marking

- Aging test:
 - 14 days' storage at 95°C and 95% humidity
 - A further 14 days with dry heat at the level of the TI value of the insulation material
 - 24 hours' low-temperature storage at -65°C with subsequent conductor pull-out test

The Ex e-approved modular terminal blocks from Phoenix Contact are standard modular terminal blocks. These are 100% routine-tested during the manufacturing process in accordance with IEC/EN 60079, which includes an insulation test.

Note

Detailed information and data sheets with instructions for installing modular terminal blocks in the Ex area are available in the product area on our website at www.phoenixcontact.net/products.



The certificates certify that the test was carried out by the respective notified body.

Connection capacity

IEC 60947-7-1/-2

This mechanical test defines the connection of commercially available conductors according to the manufacturer's information.

Modular terminal blocks must be constructed in such a way that the conductors with the documented rated cross section and the rated connection capacity can be connected. The specifications are documented by the manufacturer in metric (mm²) and Anglo-American values (AWG).

Rated cross section means:

The value of the maximum possible cross section of all connectable conductors (stranded and single or multi-strand) that certain thermal, mechanical, and electrical requirements refer to.

Rated connection capacity means:

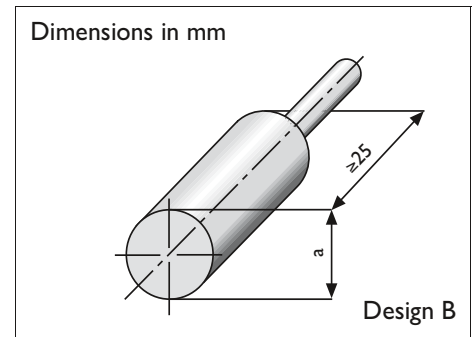
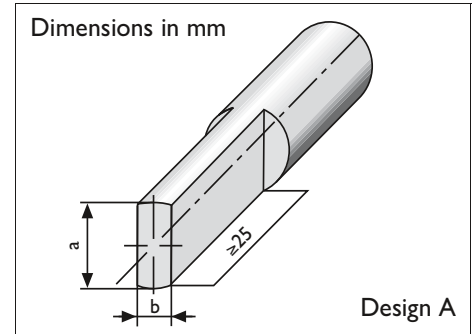
Range encompassing the largest to the smallest connectable cross section (reduced by at least 2 increments) and the number of connectable conductors for which the modular terminal block has been designed.

During the test, the modular terminal blocks are connected with the rated cross section and the rated connection capacity.

Alternatively, the rated cross section can also be verified using gauges. (See figure)

It must be possible to freely insert conductors or gauges into or connect them to the open terminal point.

Terminal blocks from Phoenix Contact offer dimensions for the defined rated cross section that are well above those required by the standard. Thanks to appropriate design measures, the rated cross sections can also be connected with a ferrule and insulating collar in all modular terminal blocks of the CLIPLINE complete system.



Gauges (internal cylindrical gauge) of design A and B according to IEC 60947-1

Structure and dimensions of connecting cables													
Cross section [mm ²]	Single-strand		Multi-strand		Fine-strand		Gauge No.	American Wire Gauge [AWG]					
	Diameter Max. dimension	Number of wires	Diameter Max. dimension	Number of wires (minimum number)	Diameter Max. dimension	Number of wires (guide value)		AWG	[Ømm]	Solid wires* [circ. mils]	[mm ²]	[Ømm]	Stranded wires* [circ. mils]
0.2	0.5	1	-	-	-	-	24	0.51	404	0.21	-	-	-
0.5	0.9	1	1.1	7	1.1	16	20	0.81	1022	0.52	0.97	1111	0.56
0.75	1.0	1	1.2	7	1.3	24	18	1.02	1620	0.82	1.16	1600	0.82
1	1.2	1	1.4	7	1.5	32	(17)	1.15	2050	1.04	-	-	-
-	-	-	-	-	-	-	16	1.29	2580	1.31	1.50	2580	1.32
1.5	1.5	1	1.7	7	1.8	30	(15)	1.45	3260	1.65	-	-	-
-	-	-	-	-	-	-	14	1.63	4110	2.08	1.85	4100	2.09
2.5	1.9	1	2.2	7	2.3	50	(13)	1.83	5180	2.63	-	-	-
-	-	-	-	-	-	-	12	2.05	6530	3.31	2.41	6500	3.32
4	2.4	1	2.7	7	2.9	56	(11)	2.30	8230	4.17	-	-	-
-	-	-	-	-	-	-	10	2.59	10380	5.26	2.95	10530	5.37
6	2.9	1	3.3	7	3.9	84	(9)	2.91	13100	6.63	-	-	-
-	-	-	-	-	-	-	8	3.26	16510	8.37	3.73	16625	8.48
10	3.7	1	4.2	7	5.1	80	(7)	3.67	20800	10.56	4.15	20820	10.55
-	-	-	-	-	-	-	6	4.12	26240	13.30	4.67	26250	13.39
16	4.6	1	5.3	7	6.3	126	(5)	4.62	33100	16.77	5.24	33100	16.77
-	-	-	-	-	-	-	4	5.19	41740	21.15	5.90	41650	21.24
25	-	-	6.6	7	7.8	196	3	5.83	52600	26.67	6.61	52630	26.67
35	-	-	7.9	7	9.2	276	2	6.54	66360	33.62	7.42	66150	33.74
-	-	-	-	-	-	-	1	7.35	83690	42.41	8.33	83706	42.69
50	-	-	9.1	19	11	396	1/0	8.25	105600	53.51	9.35	104640	53.36
70	-	-	11	19	13.1	360	2/0	9.27	133100	67.44	10.52	132300	67.47
95	-	-	12.9	19	15.1	475	3/0	10.40	167800	85.03	11.79	172500	87.98
-	-	-	-	-	-	-	4/0	11.08	211600	107.22	13.26	210400	107.30
120	-	-	14.5	37	17	608	250 kcmil	250 MCM	127	14.62	250000	127.00	
150	-	-	16.2	37	19	756	300 kcmil	300 MCM	152	16.00	300000	152.00	
185	-	-	18	37	21	925	350 kcmil	350 MCM	177	17.30	350000	177.00	
240	-	-	20.6	61	24	1224	500 kcmil	500 MCM	253	20.66	500000	253.00	
300	-	-	23.1	61	27	1525	600 kcmil	600 MCM	304	-	-	-	-
400	-	-	26.1	61	31	-	-	-	-	-	-	-	-

* 1000 circular mils = 1 MCM = 1 kcmil

Connecting aluminum conductors

The screw terminal blocks in the UT and UKH series are suitable for the direct connection of aluminum conductors in accordance with the directives governing conductor pretreatment. The aluminum “flows”, i.e., under pressure, aluminum softens more easily than copper due to a low modulus of elasticity. Furthermore, after stripping the aluminum conductor, an oxide film forms on the conductor surface due to reacting with air. This oxide film leads to increased contact resistance between the aluminum conductor and terminal point. The oxide film should therefore be removed before wiring. In addition, the maximum current carrying capacity of aluminum conductors is lower than that of

copper conductors. In general, if the same current carrying capacity is required of the aluminum conductor, a larger cross section than for a copper conductor must be selected. Due to the properties specified, UT... and UKH... screw connection terminal blocks from Phoenix Contact have been qualified through extensive tests for the use of aluminum conductors. An important quality feature of this qualification is the 1000-hour current cycling test in accordance with IEC 61545. As part of this test, the modular terminal block and aluminum conductor combination is supplied with current for an hour and then switched off for an hour. The cycle is repeated 500 times. During the 1000 hours,

temperature measurements are taken at the terminal points in accordance with a defined schedule. The measured values must not exceed defined limit values. All screw connection terminal blocks from Phoenix Contact that have undergone these tests are listed in the table below.

Approved combinations of screw connection terminal blocks with aluminum conductors

Color versions of modular terminal block series are included in the approval.

Modular terminal block	Conductor cross section [mm²]															Recommended tightening torque
	2.5	4	6	10	16	25	35	50	70	95	120	150	185	250		
UT 2,5 (-PE)	RE	RE														0.6 Nm
UT 4 (-PE)	RE	RE	RE													0.8 Nm
UT 6 (-PE)	RE	RE	RE	RE												1.8 Nm
UT 10 (-PE)	RE	RE	RE	RE	RE											1.8 Nm
UT 16 (-PE)	RE	RE	RE	RE	RE	RE										3.0 Nm
UT 35 (-PE)	RE	RE	RE	RE	RE	RE	RE									3.7 Nm
UKH 25			RE	RE	RE	RE										4.5 Nm
UKH 50							RE	SE								8 Nm
UKH 70								SE	SE							10 Nm
UKH 95									SE	SE						20 Nm
UKH 150											SE	SE				30 Nm
UKH 240													SE	SE		30 Nm

RE Round, single-strand, class 1; approved
SE Sector-shaped, single-strand, class 1 $\alpha = 90^\circ$; approved



Single-strand aluminum conductors in round (RE) and sector-shaped (SE) form can be connected directly to the above-listed feed-through terminal blocks with screw connection.

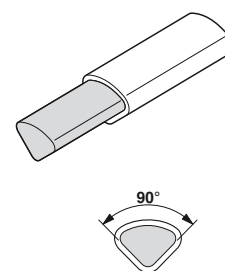
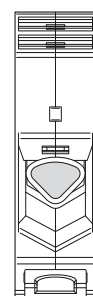
When directly connecting aluminum conductors to UT... and UKH ... feed-through terminal blocks from Phoenix Contact, the following guidelines on conductor pretreatment must be followed:

- The oxide film must be removed from the stripped end of the aluminum conductor using a blade (suitable knife, e.g., WIREFOX-D 13 stripping tool).
- It must then be dipped immediately in non-acid and non-alkali, i.e., neutral, Vaseline.
- The installation location must be kept free from humidity or aggressive atmospheres.

- When using an aluminum conductor, the screw in the clamping part of the screw terminal block must be tightened with the recommended tightening torque of the respective modular terminal block; there is no need to tighten the terminal point. (For torque screwdrivers, see Catalog 5)
- The pretreatment must be repeated when connecting the conductors anew.

Sector-shaped aluminum conductors should be inserted in the terminal point of UKH modular terminal blocks as illustrated. The rounded section of the conductor should be at the top so that the right-angled area of the aluminum conductor is positioned on the prism-shaped base of the terminal sleeve.

Accessories, e.g., bimetallic cable lugs (Al/Cu pressure cable lugs) can be used to connect multi-strand aluminum conductors. See www.phoenixcontact.net/products



Example for UKH... – connecting sector-shaped, single-strand aluminum conductors

Mechanical strength

IEC 60947-7-1/-2

The mechanical stability of the terminal point is checked in a practical test. For this purpose, the terminal points of the modular terminal blocks must be repeatedly connected without loss of quality. Solid conductors with the rated cross section are therefore used to connect and disconnect the terminal block five times over with the torque specified in the manufacturer's information. This is done on the middle terminal block of a block of five. Before and after the test, a voltage-drop test must be passed. The terminal point must withstand reconnection without recognizable damage, and the voltage drop must not exceed

3.2 mV or 1.5 times the initially measured value before or after the test. Modular terminal blocks from Phoenix Contact are suitable for repeated connection without any recognizable loss of quality. The extent of possible connections and disconnections can reach up to 5000 cycles, depending on the connection technology.

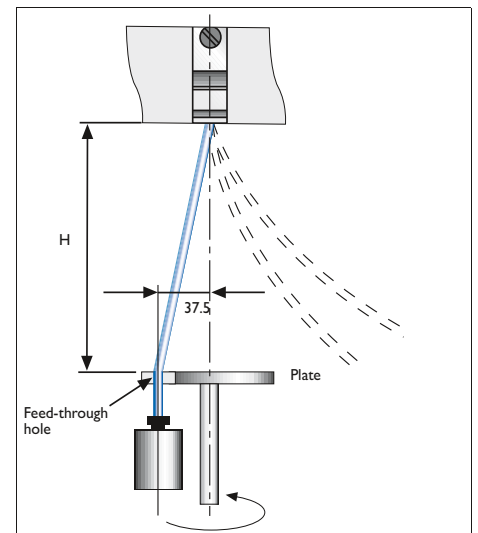
Bending test - flexion test

IEC 60947-7-1/-2

Correctly wired modular terminal blocks must offer a high degree of mechanical safety. This includes the reliable clamping of the conductor. Therefore, tests are performed with solid and stranded wires with the smallest cross section, with the rated cross section, and with the maximum cross section. A vertically fixed terminal block is connected to a conductor. At the end of the conductor, a test weight corresponding to the cross section is attached. The conductor is fed through a central 37.5 mm aperture in a rotating disc and turned about its own axis 135 times. This procedure must not damage the clamping area on the conductor. Afterwards, the contact must pass a conductor pull-out test. Modular terminal blocks from Phoenix Contact are designed to ensure that the conductor makes contact in the clamping area gently. This prevents damage to the conductor and contact point,

Cross section	AWG	Spacing H	Load
0.2 mm ²	24	260 mm	0.3 kg
...
4 mm ²	12	279 mm	0.9 kg
...
240 mm ²	500	464 mm	20.0 kg

which still have the same properties even after repeated clamping.



Test equipment according to the standard

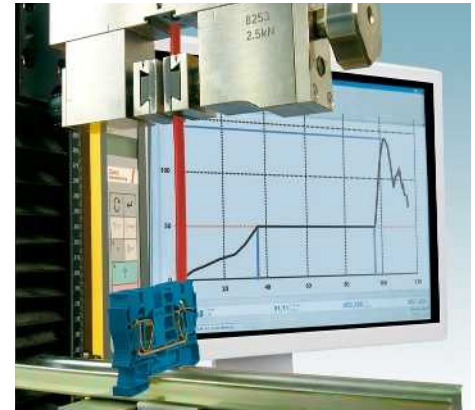
Conductor pull-out test

IEC 60947-7-1/-2

In practice, tensile forces can affect the terminal point during wiring or operation. Therefore, modular terminal blocks must be wired correctly to offer a high degree of mechanical safety. To test the tensile load capacity of a terminal point, the terminal point must withstand a given tensile force based on the cross section for over 60 seconds. This test is performed after the bending test. Performing these two tests directly one after the other intensifies the requirements. The tensile force exerts stress on the conductor at the terminal point. The conductor must be held without causing damage. The test results for Phoenix Contact modular terminal blocks are up to 150% above the required minimum values.

Conductor pull-out forces in acc. with IEC 60999/EN 60999/VDE 0609-1, Table III (up to 35 mm²)

Conductor cross section		Tensile force
[mm ²]	AWG/kcmil	[N]
0.2	24	10
-	22	20
0.5	20	15
0.75	18	30
1.0	-	35
1.5	16	40
2.5	14	50
4.0	12	60
6.0	10	80
10	8	90
16	6	100
25	4	135
-	3	156
35	2	190
-	1	236
50	0	236
70	00	285
95	000	351
-	0000	427
120	250	427
150	300	427
185	350	503
-	400	503
240	500	578
300	600	578



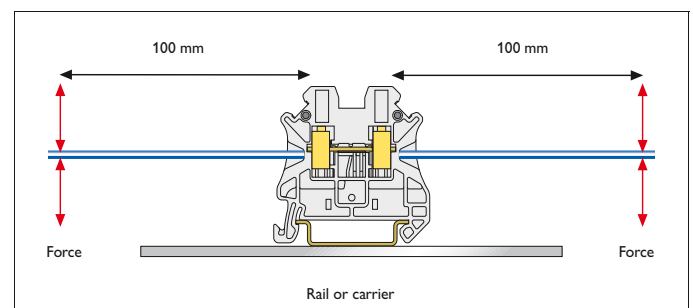
Absorption of tensile force at a 10 mm² spring-cage terminal block.

Tight fit of modular terminal block

IEC 60947-7-1/-2

Besides the reliable connection of the conductor, the modular terminal block itself must be able to withstand forces without coming loose from its carrier. Furthermore, no unacceptable damage may occur. To test whether the fit is tight, a modular terminal block is mounted on a standard DIN rail in accordance with the manufacturer's information. Then steel rods with a length of 150 mm are clamped into the terminal points. Tensile and pressure forces based on the cross section are exerted on the terminal points and the latching of the terminal block with a lever distance of 100 mm. The modular terminal block must not come loose or break off the rail. The structural design of the modular terminal blocks from Phoenix Contact ensures a reliable tight fit on different DIN rail systems.

Cross section [mm ²]	Cross section AWG	Force [N]	Diameter of the steel rod [mm]
0.75	18	1	1.0
1		1	1.0
1.5	16	1	1.0
2.5	14	1	1.0
4	12	1	1.0
6	10	5	2.8
10	8	5	2.8
35	2	10	5.7
50	0	10	5.7
240	500 kcmil	20	20.5



DIN rails

DIN rails/grounding busbars

Extract from IEC 60947-7-2/EN 60947-7-2/DIN EN 60947-7-2/VDE 0611-3

Phoenix Contact type	Rail profile	Material	Short circuit stability ≅ E CU conductor [mm ²]*	Short-time current resistance 1 s [kA]	Max. permissible thermal nominal current for PEN function [A]
NS 15 UNPERF 2000MM	DIN rail according to EN 60715 – 15 x 5.5	Steel	10	1.2	**
NS 15 PERF 2000MM	DIN rail according to EN 60715 – 15 x 5.5	Steel	10	1.2	**
NS 15-AL PERF 2000MM	DIN rail, dimensions according to EN 60715 – 15 x 5.5	Aluminum	16	1.92	76
NS 32 UNPERF 2000MM	G-profile rail acc. to EN 60715 – G 32	Steel	35	4.2	**
NS 32 PERF 2000MM	G-profile rail acc. to EN 60715 – G 32	Steel	35	4.2	**
NS 32-CU/35 QMM UNPERF 2000MM	G-profile rail, dimensions acc. to EN 60715 – G 32	Copper	120	14.4	269
NS 32-CU/120 QMM UNPERF 2000MM	G-profile rail, similar to EN 60715 – G 32	Copper	150	18.0	309
NS 35/7,5 UNPERF 2000MM	DIN rail according to EN 60715 – 35 x 7.5	Steel	16	1.92	**
NS 35/7,5 PERF 2000MM	DIN rail according to EN 60715 – 35 x 7.5	Steel	16	1.92	**
NS 35/7,5 ZN UNPERF 2000MM	DIN rail, similar to EN 60715 – 35 x 7.5	Steel	16	1.92	**
NS 35/7,5 ZN PERF 2000MM	DIN rail, similar to EN 60715 – 35 x 7.5	Steel	16	1.92	**
NS 35/7,5 V2A UNPERF 2000MM	DIN rail, similar to EN 60715 – 35 x 7.5	Steel	16	1.92	**
NS 35/7,5-CU UNPERF 2000MM	DIN rail, similar to EN 60715 – 35 x 7.5	Copper	50	6.0	150
NS 35/7,5-AL UNPERF 2000MM	DIN rail, similar to EN 60715 – 35 x 7.5	Aluminum	35	4.2	125
NS 35/15-2,3 UNPERF 2000MM	DIN rail according to EN 60715 – 35 x 15	Steel	50	6.0	**
NS 35/15 UNPERF 2000MM	DIN rail, similar to EN 60715 – 35 x 15	Steel	25	3.0	**
NS 35/15 PERF 2000MM	DIN rail, similar to EN 60715 – 35 x 15	Steel	25	3.0	**
NS 35/15 ZN UNPERF 2000MM	DIN rail, similar to EN 60715 – 35 x 15	Steel	25	3.0	**
NS 35/15 ZN PERF 2000MM	DIN rail, similar to EN 60715 – 35 x 15	Steel	25	3.0	**
NS 35/15-CU UNPERF 2000MM	DIN rail, similar to EN 60715 – 35 x 15	Copper	95	11.4	232
NS 35/15-AL UNPERF 2000MM	DIN rail, similar to EN 60715 – 35 x 15	Aluminum	70	8.4	192

* Cross sections calculated according to IEC 60439-1/EN 60439-1/DIN EN 60439-1/VDE 0660-500.

** Grounding busbars made from steel are not permitted for the PEN function.

Air and creepage distances

IEC 60947-7-1/UL 1059

Carrying out a dimensional check of air and creepage distances confirms that electrical insulation properties are adequate with respect to the following:

- **Application**
- **Expected contamination**
- **Ambient conditions**

The minimum distances are defined in IEC 60947-1 and UL 1059.

The distance is verified by measuring between two neighboring modular terminal blocks and the carrier, taking into account the shortest distances.

For the clearance, this means:

It is the shortest distance in the air between two conductive parts. The deciding factors for rating the minimum clearance values are the rated surge voltage and the surge voltage category of the modular terminal block.

For the creepage distances, this means:

It is the shortest distance along the insulating body between two conductive parts. The deciding factors for determining the minimum creepage distance are the rated voltage, the pollution degree, and the insulation material group of the modular terminal block.

The minimum values can be taken from the tables of the relevant standards.

IEC 60947-7-1

Phoenix Contact modular terminal blocks are designed with surge voltage category III and pollution degree 3 with the required distances.

UL 1059

Phoenix Contact modular terminal blocks are generally designed for a nominal voltage of 600 V in Use Group C.

UL Use Group	Definition	Max. voltage [V]
A	Operating elements, consoles, and similar	150 300 600
B	Conventional devices, including office and electronic data processing equipment and similar	150 300 600
C	Industrial applications, without restrictions	150 300 600
D	Industrial applications, operating equipment with limited rating	300 600

Detailed information can be found in the data sheets or the catalog documentation.

Insulation coordination for electrical equipment within low-voltage systems

Dimensioning of air and creepage distances according to DIN EN 60664-1/VDE 0110-1.

This part of the standard, based on IEC 60664, contains specifications for the insulation coordination of items of equipment in low-voltage systems. This part is applicable for items to be used at a height of up to 2000 m above sea level. This basic safety standard is primarily aimed at technical committees, and if suitable product directives are not available for an item, it can be used at one's own responsibility. International and European product standards cited in this catalog contain specifications for insulation coordination in accordance with DIN EN 60664/VDE 0110-1.

Insulation coordination

Insulation coordination includes the selection of electrical insulation properties for items as regards intended applications and ambient conditions. Separate requirements must be applied for air and creepage distances and for rigid insulation. The surge voltages to be expected, characteristics of surge protective devices, and pollution at the intended site must be considered when dimensioning clearances. Clearances are then dimensioned according to the external or internal surge voltages to be expected. Different surge voltages, grouped into categories, i.e., a value that determines an impulse withstand voltage, ascertain the required clearance directly. These surge voltage categories (I to IV) are mainly based on a statistical study, and are used for the items that are directly supplied by low-voltage networks. Definitions of the individual categories are provided below as an extract of DIN EN 60664/VDE 0110-1.

The clearances can be calculated according to Table 2 (minimum clearances) depending on the homogeneity level of the field between the electrodes (case A – non-homogeneous field, case B – homogeneous field).

Clearances according to case A are capable of withstanding the assigned surge voltages under all conditions. Items that are dimensioned according to case A can therefore be used without any further testing. Clearance values according to case B are based on ideal conditions. Clearance values which fall between case A and case B must be proven by means of a surge voltage test.

The voltages present, the properties of insulation materials, the pollution to be

expected, and safety measures against pollution are considered when dimensioning creepage distances.

The effect of pollution is considered when determining the air and creepage distances according to three intensity levels (pollution degree 1 to 3).

The creepage distance is based on the rated voltage that is derived from the working voltage or nominal mains voltage. The minimum creepage distances are assigned to the rated voltages according to the pollution degree in Table 4.

If the respective product descriptions do not contain any additional specifications, the products presented in this catalog are dimensioned for surge voltage category III and pollution degree 3 according to this regulation (DIN EN 60664-1/VDE 0110-1).

Surge voltage categories I to IV

– Items in **surge voltage category IV** can be used at the terminal point of the installation.

Note: examples of such items include electricity meters and primary devices for overcurrent protection.

– Items in **surge voltage category III** can be used in fixed installations and are intended for such cases where there are special requirements for the reliability and availability of the items.

Note: examples of such items include switches in fixed installations and items for industrial use with permanent connection to the fixed installation.

– Items in **surge voltage category II** are power-consuming items that are supplied by the fixed installation.

Note: examples of such items include household appliances, portable tools, other domestic appliances, and similar devices.

– Items in **surge voltage category I** can be connected to circuits where measures have been taken to limit the surge voltages to a suitable lower value.

Pollution degrees 1 to 4

The following four pollution degrees have been defined for the micro-environment in order to determine air and creepage distances:

– Pollution degree 1

No contamination or only dry, non-conductive contamination is present. The contamination has no influence.

– Pollution degree 2

Only non-conductive contamination is present. Temporary conductivity due to condensation must occasionally be taken into consideration, however.

– Pollution degree 3

Conductive contamination or dry, non-conductive contamination is present which becomes conductive, since condensation is expected.

– Pollution degree 4

Permanent conductivity is present, caused by conductive dust, rain or moisture.

Insulation material

DIN EN 60664/VDE 0110-1 classifies insulation materials into four groups depending on their CTI values that were obtained using solution A in accordance with IEC 60112. These are:

Insulation material group I:
600 ≤ CTI

Insulation material group II:
400 ≤ CTI ≤ 600

Insulation material group IIIa:
175 ≤ CTI < 400

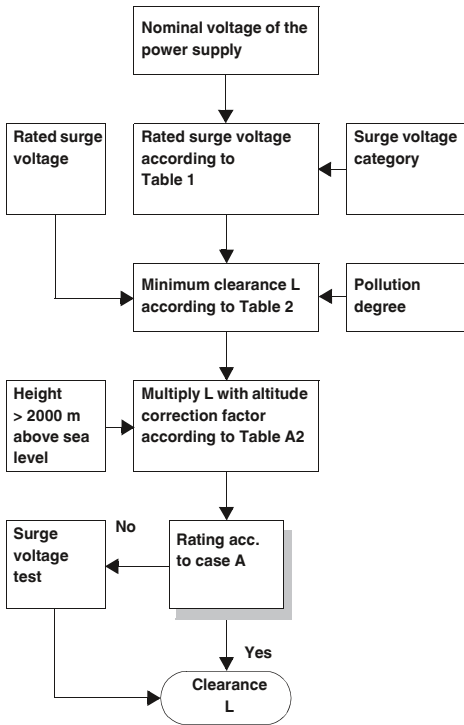
Insulation material group IIIb:
100 ≤ CTI < 175

The comparative tracking index of the creepage distance must have been determined based on suitable samples using test solution A as specified in DIN IEC 60112.

The proof tracking index of the creepage distance (PTI) is used as proof of the creepage current properties of insulation materials.

Dimensioning of clearances

Schematic for determining clearances



Altitude correction factors (extract from Table A.2)

Height in m	Normal air pressure in kPa	Multiplication factor for gaps
2000	80.0	1.00
3000	70.0	1.14
4000	62.0	1.29
5000	54.0	1.48
6000	47.0	1.70
7000	41.0	1.95
8000	35.5	2.25
9000	30.5	2.62
10000	26.5	3.02
15000	12.0	6.67
20000	5.5	14.50

Rated surge voltages for items that are directly supplied by the low-voltage network (extract from Table 1)

Nominal voltage of the power supply system ¹⁾ (mains acc. to IEC 60038 ³⁾		Conductor-neutral conductor voltage derived from the total nominal AC voltage or nominal DC voltage	Rated surge voltage ²⁾ [V]			
Three-phase [V]	Single-phase [V]		Surge voltage category ⁴⁾			
		[V]	I	II	III	IV
		50	330	500	800	1500
		100	500	800	1500	2500
		150	800	1500	2500	4000
230/400 277/480	120 to 240	300	1500	2500	4000	6000
400/690		600	2500	4000	6000	8000
1000		1000	4000	6000	8000	12000

- ¹⁾ Refer to Appendix B for application in existing deviating low-voltage networks and their nominal voltages.
- ²⁾ Items with this rated surge voltage may be used in systems in accordance with IEC 60364-4-443.
- ³⁾ The slash, i.e., /, indicates a three-phase four-conductor system. The lower value is the conductor-to-neutral conductor voltage, whereas the higher value is the conductor-to-conductor voltage. When only one value is specified, it refers to a three-phase three-conductor system, and indicates the conductor-to-conductor voltage.
- ⁴⁾ Refer to 2.2.2.1.1 for an explanation of surge voltage categories.

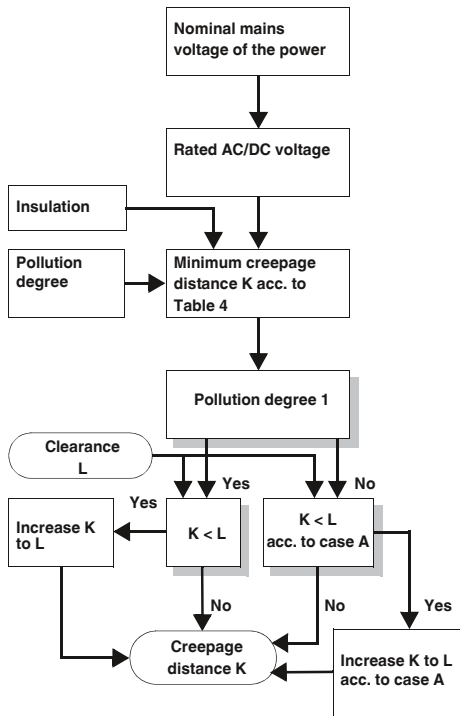
Minimum clearances for surge voltages (extract from Table 2)

Required impulse withstand voltage ¹⁾ ⁵⁾	Condition A Non-homogeneous field (refer to 1.3.15)			Condition B Homogeneous field (refer to 1.3.14)		
	Pollution degree ⁶⁾			Pollution degree ⁶⁾		
	1 [mm]	2 [mm]	3 [mm]	1 [mm]	2 [mm]	3 [mm]
0.33 ²⁾	0.01	0.2 ³⁾ ⁴⁾	0.8 ⁴⁾	0.01	0.2 ³⁾ ⁴⁾	0.8 ⁴⁾
0.40	0.02			0.02		
0.5 ²⁾	0.04			0.04		
0.60	0.06			0.06		
0.80 ²⁾	0.10			0.10		
1.0	0.15			0.15		
1.2	0.25	0.25		0.2		
1.5 ²⁾	0.5	0.5		0.3	0.3	
2.0	1.0	1.0	1.0	0.45	0.45	
2.5 ²⁾	1.5	1.5	1.5	0.6	0.6	
3.0	2.0	2.0	2.0	0.8	0.8	
4.0 ²⁾	3	3	3	1.2	1.2	1.2
5.0	4	4	4	1.5	1.5	1.5
6.0 ²⁾	5.5	5.5	5.5	2	2	2
8.0 ²⁾	8	8	8	3	3	3
10	11	11	11	3.5	3.5	3.5
12 ²⁾	14	14	14	4.5	4.5	4.5
15	18	18	18	5.5	5.5	5.5
20	25	25	25	8	8	8
25	33	33	33	10	10	10
30	40	40	40	12.5	12.5	12.5
40	60	60	60	17	17	17
50	75	75	75	22	22	22
60	90	90	90	27	27	27
80	130	130	130	35	35	35
100	170	170	170	45	45	45

- ¹⁾ This voltage is:
 - For function insulation: the highest surge voltage expected for the clearance
 - For basic insulation, if influenced directly or considerably by surge voltages from the low-voltage network: the item's rated surge voltage
 - For a different basic insulation: the highest surge voltage possible in the circuit
- ²⁾ Preferred values
- ³⁾ For PCBs, the values of pollution degree 1 are applicable, except that no deviation below the value of 0.04 mm is permitted, as specified in Table 4.
- ⁴⁾ Minimum clearances for pollution degrees 2 and 3 are based on the corresponding creepage distances. This resistance is reduced due to the effects of humidity.
- ⁵⁾ Values can be interpolated for parts or circuits within items that are subjected to surge voltages.
- ⁶⁾ The distances for pollution degree 4 are equal to those for pollution degree 3, except that the minimum clearance is 1.6 mm.

Dimensioning of creepage distances

Schematic for determining creepage distances



Single-phase three or two-conductor AC or DC voltage systems (extract from Table 3a)

Nominal voltage of the power supply system (mains *)	Voltages for Table 4	
	for conductor-conductor insulation ¹⁾	for conductor-ground insulation ¹⁾
	All systems	Three-conductor systems center point grounded
[V]	[V]	[V]
12.5	12.5	-
24	25	-
25	32	-
30	32	-
42	50	-
48	50	-
50 **)	50	-
60	63	-
30 - 60	63	32
100 **)	100	-
110	125	-
120	125	-
150 **)	160	-
220	250	-
110 - 220	250	125
220 - 240	250	125
300 **)	320	-
220 - 440	500	250
600 **)	630	-
480 - 960	1000	500
1000 **)	1000	-

¹⁾ Conductor-ground insulation levels for non-grounded systems or those grounded through impedance correspond to conductor-conductor insulation levels as the operating voltage of every conductor to ground can, in practice, reach the conductor-conductor voltage. This is due to the fact that the actual voltage to ground is determined by the insulation resistance and the capacitive reactance of each conductor to ground. A low (but permissible) insulation resistance of one conductor can thereby practically ground it and increase the other two to conductor-conductor voltage to ground.
²⁾ For items designed for use in three-phase four-conductor and three-phase three-conductor systems, grounded as well as non-grounded, only the values for three-conductor systems may be used.
 *) Refer to 2.2.1 for correlation with the rated voltage.
 **) These values correspond to the values in Table 1.

Three-phase four or three-conductor AC voltage systems (extract from Table 3b)

Nominal voltage of the power supply system (mains *)	Voltages for Table 4		
	for conductor-conductor insulation	Insulation for conductor-ground	Three-phase three-conductor systems non-grounded ¹⁾ or conductor grounded
	All systems	Three-phase four-conductor systems with grounded neutral conductor ²⁾	Three-phase three-conductor systems non-grounded ¹⁾ or conductor grounded
[V]	[V]	[V]	[V]
60	63	32	63
110/120/127	125	80	125
150 **)	160	-	160
208	200	125	200
220/230/240	250	160	250
300 **)	320	-	320
380/400/415	400	250	400
440	500	250	400
480/500	500	320	500
575	630	400	630
600 **)	630	-	630
660/690	630	400	630
720/830	800	500	800
960	1000	630	1000
1000 **)	1000	-	1000

¹⁾ Conductor-ground insulation levels for non-grounded systems or those grounded through impedance correspond to conductor-conductor insulation levels as the operating voltage of every conductor to ground can, in practice, reach the conductor-conductor voltage. This is due to the fact that the actual voltage to ground is determined by the insulation resistance and the capacitive reactance of each conductor to ground. A low (but permissible) insulation resistance of one conductor can thereby practically ground it and increase the other two to conductor-conductor voltage to ground.
²⁾ For items designed for use in three-phase four-conductor and three-phase three-conductor systems, grounded as well as non-grounded, only the values for three-conductor systems may be used.
 *) Refer to 2.2.1 for correlation with the rated voltage.
 **) These values correspond to the values in Table 1.

Creepage distances to prevent failures occurring due to creepage (extract from Table 4)

Voltage ¹⁾ r.m.s. value [V]	Minimum creepage distances									
	Printed circuits Pollution degree		Pollution degree							
	1	2	1	2			3			
	All insulation material groups	All insulation material groups except IIIb	All insulation material groups	Insulation material group			Insulation material group			
	[mm]	[mm]	[mm]	I [mm]	II [mm]	III [mm]	I [mm]	II [mm]	III ²⁾ [mm]	
10	0.025	0.04	0.08	0.40	0.40	0.40	1.00	1.00	1.00	
12.5	0.025	0.04	0.09	0.42	0.42	0.42	1.05	1.05	1.05	
16	0.025	0.04	0.10	0.45	0.45	0.45	1.10	1.10	1.10	
20	0.025	0.04	0.11	0.48	0.48	0.48	1.20	1.20	1.20	
25	0.025	0.04	0.125	0.50	0.50	0.50	1.25	1.25	1.25	
32	0.025	0.04	0.14	0.53	0.53	0.53	1.30	1.30	1.30	
40	0.025	0.04	0.16	0.56	0.80	1.10	1.4	1.6	1.8	
50	0.025	0.04	0.18	0.60	0.85	1.20	1.5	1.7	1.9	
63	0.040	0.63	0.20	0.63	0.90	1.25	1.6	1.8	2.0	
80	0.063	0.10	0.22	0.67	0.95	1.3	1.7	1.9	2.1	
100	0.10	0.16	0.25	0.71	1.00	1.4	1.8	2.0	2.2	
125	0.16	0.25	0.28	0.75	1.05	1.5	1.9	2.1	2.4	
160	0.25	0.40	0.32	0.80	1.1	1.6	2.0	2.2	2.5	
200	0.40	0.63	0.42	1.00	1.4	2.0	2.5	2.8	3.2	
250	0.56	1.00	0.56	1.25	1.8	2.5	3.2	3.6	4.0	
320	0.75	1.60	0.75	1.60	2.2	3.2	4.0	4.5	5.0	
400	1.00	2.00	1.00	2.00	2.8	4.0	5.0	5.6	6.3	
500	1.30	2.50	1.30	2.50	3.6	5.0	6.3	7.1	8.0	
630	1.80	3.20	1.8	3.2	4.5	6.3	8.0	9	10.0	
800	2.40	4.00	2.4	4.0	5.6	8.0	10.0	11	12.5	
1000	3.20	5.00	3.2	5.0	7.1	10	12.5	14	16.0	
1250			4.2	6.3	9	12.5	16	18	20	
1600			5.6	8	11	16	20	22	25	
2000			7.5	10	14	20	25	28	32	
2500			10	12.5	18	25	32	36	40	
3200			12.5	16	22	32	40	45	50	
4000			16	20	28	40	50	56	63	
5000			20	25	36	50	63	71	80	
6300			25	32	45	63	80	90	100	
8000			32	40	56	80	100	110	125	
10000			40	50	71	100	125	140	160	

¹⁾ This voltage is:
 a) For function insulation: the working voltage
 b) For basic and additional insulation of a circuit supplied directly by the low-voltage network: either the voltage selected from Table 3a or 3b on the basis of the rated voltage of the equipment or the rated insulation voltage
 c) For basic and additional insulation of systems, equipment and internal circuits which are not supplied directly from the mains: the highest r.m.s. value of the voltage that, within the bounds of the rated data, can occur in the system, the equipment or the internal circuit, when supplied with rated voltage and in the case of the most unfavorable combination of operating conditions.

²⁾ With pollution degree 3, insulation material group IIIb is not recommended for use if voltages are greater than 630 V.

Insulation test

IEC 60947-7-1/-2/UL 1059

This test is an electrical test to prove that there are sufficient creepage distances.

To test that the distances between the potentials of two neighboring modular terminal blocks and between a modular terminal block and the DIN rail are sufficient, an appropriate test voltage is applied.

Rated insulation voltage (U_i)

The r.m.s. or DC voltage value that is permanently acceptable as a maximum when correctly used.

The test voltage must be maintained for over 60 seconds. The assignment illustrated in the table is to be used as a basis.

Rated insulation voltage U_i [V]	Test voltage (r.m.s.) [V]
$U_i \leq 60$	1000
$60 < U_i \leq 300$	1500
$300 < U_i \leq 690$	1890
$690 < U_i \leq 800$	2000
$800 < U_i \leq 1000$	2200
$1000 < U_i \leq 1500$	

IEC 60947-7-1/-2

No sparkover or disruptive discharge may occur during testing. Creepage currents must stay below 100 mA.

UL 1059

Test voltage = $1000 \text{ V} + 2 \times \text{rated insulation voltage } U_i$

Modular terminal blocks from Phoenix Contact with a rated insulation voltage of 800 V consistently pass the insulation test with 2000 V~.

Surge voltage test

IEC 60947-7-1/-2

Proof of sufficiently large clearances between two neighboring potentials is provided by means of the surge voltage test.

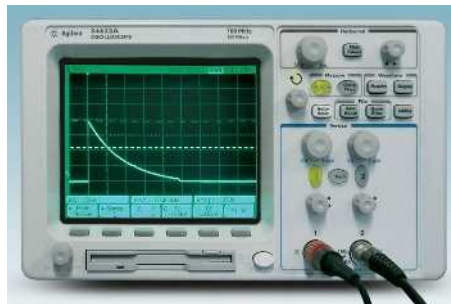
The test is carried out with the surge voltage five times at intervals of at least 1 s for all polarities in relation to the rated insulation voltage.

The distance between neighboring modular terminal blocks or between the modular terminal block and rail is examined.

There must be no unintentional sparkovers during the test.

Rated surge voltages for Phoenix Contact modular terminal blocks are between 6 and 8 kV. Operationally reliable use of the documented operating voltages of the

terminal blocks is thereby effectively confirmed.



The oscilloscope shows the time curve for the surge voltage pulse

Voltage-drop test

IEC 60947-7-1/-2

In every terminal point of a modular terminal block, one or more conductors are connected - depending on the connection technology. Current transfer is strongly affected by the electrical resistance between the conductor and the current bar. High-quality contacts create a gas-tight connection. This is the only way to ensure a permanent and reliable connection. This electrical test therefore determines the voltage drop on a modular terminal block (two terminal points). Conclusions regarding the contact resistance and the contact quality can therefore be made.

The modular terminal blocks are wired with the rated cross section. For measuring purposes, the terminal blocks are charged with a direct test current corresponding to 0.1 times the current carrying capacity of the rated cross section. The voltage drop is picked

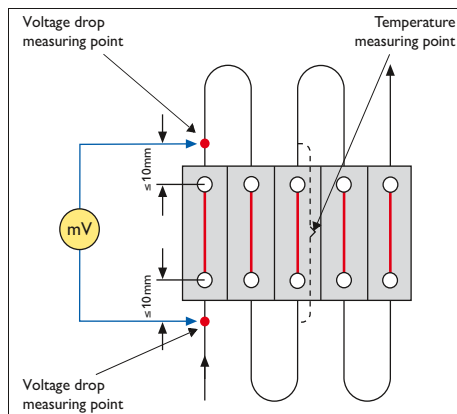
off at a distance ≤ 10 mm from the middle of the terminal point (see diagram).

At a room temperature of $\sim 20^{\circ}\text{C}$, the voltage drop must not exceed 3.2 mV per modular terminal block before or after the test, nor must it exceed 1.5 times the value measured at the start of the test.

Modular terminal blocks from Phoenix Contact are up to 60% below the limit values required by standards.



Voltage pick-off on a screw terminal block



Rated cross section in [mm ²]	Current carrying capacity [A]	Rated cross section AWG	Current carrying capacity [A]
0.2	4	24	4
0.5	6	20	8
0.75	9	18	10
1	13.5	-	-
1.5	17.5	16	16
2.5	24	14	22
4	32	12	29
6	41	10	38
10	57	8	50
16	76	6	67
35	125	2	121
50	150	0	162
95	232	0000	217
150	309	00000	309
240	415	500 MCM	415

Temperature-rise test

IEC 60947-7-1/-2/UL 1059

The rise in temperature of a modular terminal block must be kept to an absolute minimum.

The contact resistance must therefore be as low as possible. This test is used to document the rise in temperature that occurs at room temperature during exposure to a test current.

IEC 60947-7-1/-2

Five terminal blocks are horizontally mounted on a rail and connected in series using conductor loops with the rated cross section, each measuring 1 or 2 m in length. The modular terminal blocks are exposed to a

test current that is as high as the current carrying capacity of the rated cross section. The rise in temperature on the middle terminal block is documented (see figure: voltage-drop test, page 721).

Assuming a room temperature of ~20°C, a maximum rise in temperature of 45 K is permitted in the terminal block. Additionally, a voltage-drop test must be performed on the terminal block as a final step.

UL 1059

The process basically corresponds to the IEC test, only the conductor lengths differ. Three terminal blocks are horizontally

mounted adjacent to one another. The measurement is taken at an ambient temperature of 25°C, whereby a maximum rise in temperature of 30 K (measured as close as possible to the terminal point) is permitted. Due to the high-quality contact materials used in modular terminal blocks from Phoenix Contact, all connection technologies offer lower heating values than required by the specified standards.

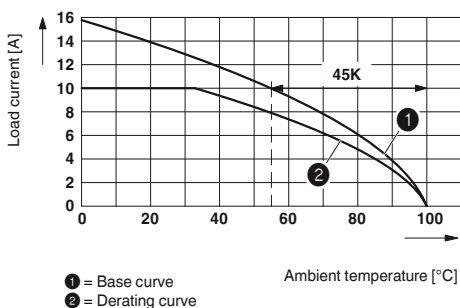
Current carrying capacity

Standard IEC 60947-7-1/EN 60947-7-1/ DIN VDE 0611-1 specifies the test currents for the individual conductor cross sections listed in the adjacent table. The corresponding currents are listed with the connection data for the individual terminal blocks. The type tests for modular terminal blocks are based on this data.

Test currents according to IEC 60947-7-1/EN 60947-7-1, Table 5

Rated cross section	[mm²]	0.2	0.5	0.75	1.0	1.5	2.5	4	6	10	16
Test current	[A]	4	6	9	13.5	17.5	24	32	41	57	76
Rated cross section	[mm²]	25	35	50	70	95	120	150	185	240	300
Test current	[A]	101	125	150	192	232	269	309	353	415	520

Base and derating curve, test setup, ambient temperature



To determine the current carrying capacity of plug-in modular terminal blocks, arrangements with a variety of positions are selected, which are electrically connected in series using conductors with the same cross section. For the practical determination of the derating curves, the current carrying capacity of the plug-in modular terminal blocks is determined in accordance with DIN EN 60512-5-1. Here, after applying

various currents (e.g., 10 A, 17.5 A, 24 A, and 32 A) and setting the temperature balance, the maximum temperature increase that occurs on the test objects is measured.

When the upper temperature limit of the insulation material – here, always assumed to be 100°C – is taken into account, these values yield a derating curve dependent on the ambient temperature: the “base curve”.

An adjusted capacity curve – the “derating curve” – is generated in accordance with DIN EN 60512-5-2. In accordance with this standard, the permissible load current is 0.8 times the respective base current. The derating factor “...takes into account manufacturing tolerances in the contact system of plug-in connectors as well as uncertainties in the temperature measurement and the

measuring arrangement...”. For the majority of items in this catalog, derating curves are given for 2, 5, 10, and 15-pos. arrangements.

SCCR – short-circuit current rating

SCCR – short-circuit current rating

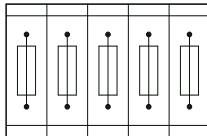
As of April 2006, the NEC (National Electrical Code) has required the short circuit stability of industrial controllers to be specified. This SCCR (short-circuit current rating) can be calculated with the help of UL 508A and must be specified for all main circuits and for the supply of the control voltage on the rating plate of all industrial switchgear in the USA. Standard values for non-specified components are listed in UL 508A – Table SB 4.1. A value of 10 kA is assumed for modular terminal blocks. Phoenix Contact offers a wide range of products with considerably higher SCCR values than this. The modular terminal blocks in the CLIPLINE complete system are all documented as having SCCR values of 100 kA.

The SCCR values for modular terminal blocks from Phoenix Contact are listed in detail in UL file number E60425. The UL file is stored in and can be retrieved from the UL database via the following link:

<http://database.ul.com/cgi-bin/XYV/template/LISEXT/1FRAME/index.html>

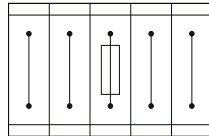
Technical information - fuse terminal blocks

Fuse terminal blocks in interconnected arrangement



Block consisting of 5 fuse terminal blocks

Arrangement with individual fuse terminal block



Block consisting of one fuse terminal block and 4 feed-through terminal blocks

Note:

The cartridge fuse holders should be selected according to the maximum power dissipation (self-heating) of the cartridge fuse inserts. The thermal conditions in closed fuse holders should be checked according to the application and installation.

Higher ambient temperatures

put additional strain on fuse inserts. In applications of this kind, the shift of the rated current should be taken into consideration accordingly.

Max. power dissipation at 23°C (in accordance with DIN EN 60947-7-3: 2009-4)

When selecting cartridge fuse inserts, please ensure that the maximum power dissipation specified below is not exceeded. Details can be obtained from the fuse manufacturers.

Cartridge fuse inserts 5 x 20 mm, in accordance with DIN EN 60947-7-3:2009-4

Technical data on the power dissipation of further fuse terminal block types can be found at www.phoenixcontact.net/products

1) The rated operating voltage is determined by the selected cartridge fuse insert.

Terminal block or plug	U 1) [V]	Overload protection		Short-circuit protection only		I _{max} [A]
		Individual	Interconnected	Individual	Interconnected	
P-FU 5X20-5	400	1.6 W	1.6 W	4.0 W	2.5 W	6.3
P-FU 5 x 20	400	1.6 W	1.6 W	4.0 W	2.5 W	6.3
PT 4-HESI (5 x 20)	400	1.6 W	1.6 W	4.0 W	2.5 W	6.3
UT 4-HESI (5 x 20)	500	1.6 W	1.6 W	4.0 W	2.5 W	6.3
ST 4-HESI (5 x 20)	500	1.6 W	1.6 W	4.0 W	2.5 W	6.3
ZFK 6-DREHSI (5 x 20)	800	4.0 W	2.5 W	4.0 W	4.0 W	6.3
QTC 2,5-HESI (5 x 20)	500	1.6 W	1.6 W	4.0 W	2.5 W	6.3
UK 10-DREHSI	800	4.0 W	2.5 W	4.0 W	4.0 W	10
USIG with ST-SI	500	2.5 W	2.5 W	4.0 W	4.0 W	6.3
UK-SI	400	1.6 W	1.6 W	4.0 W	2.5 W	6.3
UK 5-HESI	800	2.5 W	2.5 W	4.0 W	2.5 W	6.3
UKK 5-HESI (5 x 20)	400	2.5 W	1.6 W	4.0 W	2.5 W	6.3
UK 4-TG with ST-SI-UK 4	250	1.6 W	1.6 W	4.0 W	1.6 W	6.3

Cartridge fuse inserts 6.3 x 32 mm in accordance with DIN EN 60947-7-3:2009-4

Technical data on the power dissipation of further fuse terminal block types can be found at www.phoenixcontact.net/products

UT 6-HESI (6,3 x 32)	630	2.5 W	2.5 W	4.0 W	2.5 W	10
ST 4-HESI (6,3 x 32)	500	2.5 W	2.5 W	4.0 W	2.5 W	10
ZFK 6-DREHSI (6,3 x 32)	500	2.5 W	2.5 W	4.0 W	2.5 W	10
UK 10-DREHSI	400	2.5 W	2.5 W	4.0 W	2.5 W	10
USIG with ST1-SI	500	2.5 W	2.5 W	4.0 W	2.5 W	10
UK 6,3-HESI	500	2.5 W	1.6 W	4.0 W	2.5 W	10
UKK 5-HESI (6,3 x 32)	400	2.5 W	1.6 W	4.0 W	2.5 W	10

Short-time current resistance

IEC 60947-7-1/-2

Modular terminal blocks must, in practice, also be capable of resisting short-circuit currents until the relevant safety equipment cuts off the current without sustaining any damage. This can take up to several tenths of a second.

For testing purposes, a modular terminal block is mounted on the carrier and wired to a conductor with the rated cross section.

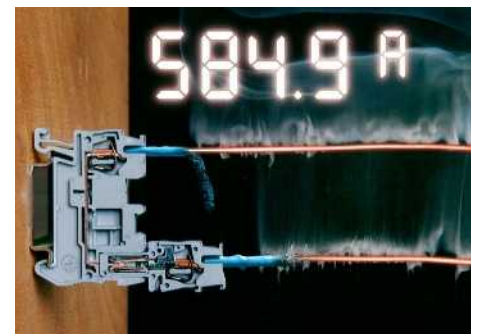
Modular terminal blocks are subjected in three stages of 1 s to a current density of 120 A/mm² with the rated cross section.

The requirements are met if, after the test, the single parts are undamaged and their further use is guaranteed.

Before and after the test, the modular terminal block must pass the voltage-drop test. The voltage drop before and after the test must not exceed 3.2 mV per modular

terminal block nor must it exceed 1.5 times the value measured before the test.

In the case of a 240 mm² high-current terminal block from Phoenix Contact, a test current of 28,800 A is passed through the terminal block for one second without loss of quality.



Maximum contact reliability, even under extreme overload – illustrated with a plug-in spring-cage terminal block

Aging test

IEC 60947-7-1/-2

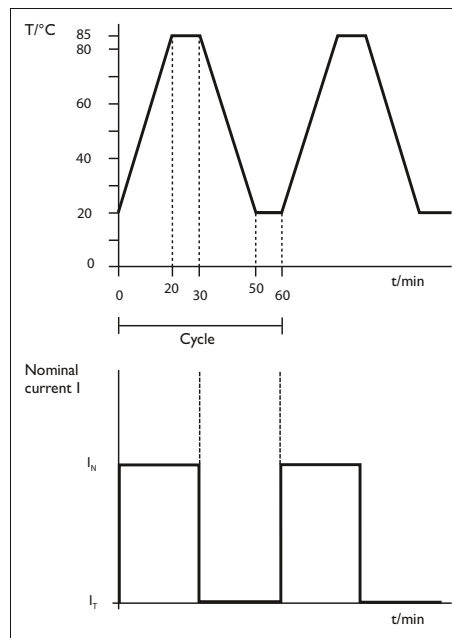
From the point of view of long life cycles of the modular terminal blocks, the aging behavior also plays an important role.

In this test, the contact quality is verified by means of simulated aging.

To simulate several years of use, five modular terminal blocks are mounted horizontally on a rail and connected in series using conductors with the rated cross section. Conductors with a minimum length of 300 mm are connected and the voltage drop is measured on every modular terminal block. The minimum temperature in the climate cabinet is set to 20°C and the maximum temperature to 85°C. During the heating phase and the 10-minute pause phase with maximum temperature, the rated current flows. As a result, the maximum permissible operating temperature of the test object (130°C maximum) is reached. The cooling down phase follows. The voltage drop is always measured after 24 cycles in the cooled down state (approximately 20°C). The test consists of a total of 192 cycles.

The voltage drop must not exceed 3.2 mV initially. During or after testing, it must not exceed 4.8 mV or 1.5 times the value measured after the 24th cycle.

Modular terminal blocks from Phoenix Contact are designed for extreme durability even under difficult temperature conditions. Plastic as well as metal parts provide sufficient safety reserves.



Current and temperature in relation to time

Corrosion test

DIN 50018

The key role of the metal parts of electrical connections becomes particularly apparent in aggressive environments. Corrosion-free contact areas are a prerequisite for low-resistance and therefore high-performance connections. This test method describes a corrosion test in condensation climates with an atmosphere that contains sulfur dioxide. Acidic compounds < Ph 7 form during the test and attack the metal surfaces. Two liters of distilled water and one liter of SO₂ gas are introduced into the test chamber. At a test temperature of 40°C, sulfurous acid forms during the test.

After eight hours of testing, the test objects dry for 16 hours with the door open. At the end of the test, the test objects are visually inspected, and the

contact resistance is measured in order to show the influence of this corrosion test on the contact point in more detail. Phoenix Contact modular terminal blocks create high-quality, gas-tight connections that cannot be impaired even by aggressive substances.



Environmental testing methods

IEC 60068-2-42/43

The mechanical and electrical service life of modular terminal blocks is directly dependent on the metal parts and insulating materials used. To evaluate the climatic effects on electrical connections, modular terminal blocks are subjected to various environmental simulation tests. The conductor contact points, the knife disconnect points, and the test contacts are included in these tests. The contact resistance values, the secure fit of the conductor, and the visual assessment of the contact points after each test serve as evaluation criteria.

- 10-day storage in aggressive SO₂ industrial atmospheres at 25°C and 75% humidity
 - 4-day storage in aggressive H₂S atmospheres at 25°C and 75% humidity
- After the test has been completed, the contact resistance must not exceed 1.5 times the initial value. The function of the terminal block must be ensured without any limitation. The high standard of quality of Phoenix Contact modular terminal blocks is achieved by using corrosion-resistant, high-grade copper alloys.

Salt spray

IEC 60068-2-11/-52

Particularly in shipbuilding, technical components have to function continuously in corrosive atmospheres. The salt content of the air combined with the increased humidity places high demands on the metal parts used. The impact of the climate at sea can be simulated on the basis of the above standard.

The resistance of the materials in a corrosive atmosphere is tested using salt spray. The test objects are placed in the test chamber and subjected to a finely dosed spray of 5% sodium chloride solution (NaCl; pH value 6.5 - 7.2) at a temperature of 35°C for a period of 96 hours.

At the end of the test, the test objects are visually inspected and an electrical test is performed to show the influence of this corrosion test on the contact point in more detail.

All Phoenix Contact modular terminal blocks, whatever their connection technology, create gas-tight connections. This means that the contact point is protected against corrosion even under extreme climatic conditions.



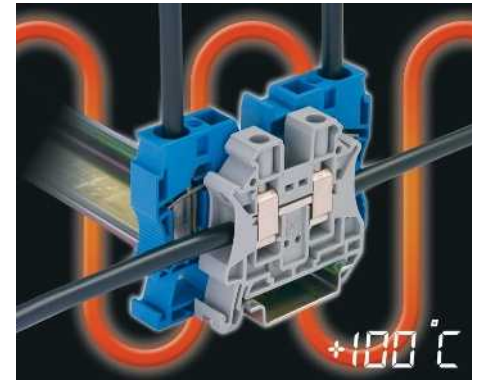
Temperature shock test

DIN EN 60352 P4

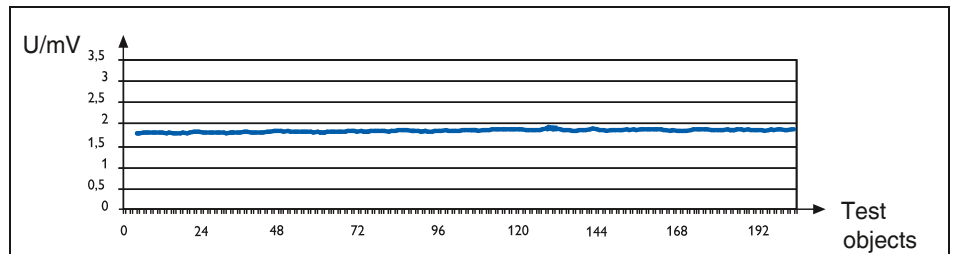
As mentioned earlier, rapid changes in temperature frequently occur near process-related sources of heat and cold in process engineering. This test verifies that the contact quality of the terminal points remains consistently high even with rapid temperature changes.

For testing purposes, five modular terminal blocks are mounted on the carrier and wired to a conductor with the rated cross section. The structure is subjected to rapid temperature changes using a two-chamber method. The temperatures lie close to the upper and lower limit temperatures of the modular terminal block. This is generally a temperature range of -55°C to $+100^{\circ}\text{C}$. The dwell time in each climatic chamber is 45 minutes, whereby the change takes place within a few seconds. This change is performed for 100 cycles.

The requirements are met if, after the test, the single parts are undamaged and their further use is guaranteed.



After the modular terminal block has cooled down to room temperature, it must undergo a voltage-drop test. Phoenix Contact modular terminal blocks exhibit consistently good temperature behavior thanks to high-quality materials.



Voltage-drop test on more than 200 test objects following the test

Vibration test

DIN EN 61373 – broadband noise (intensity according to DIN EN 50155)

In traffic technology, modular terminal blocks are always exposed to vibrations and shocks. These occur particularly in the vicinity of engines, rotating drives, and axles.

For a practical simulation of the vibration stress, the test objects are subjected to broadband noise-induced vibrations. This means that realistic accelerations are generated at the modular terminal block and the connected conductor.

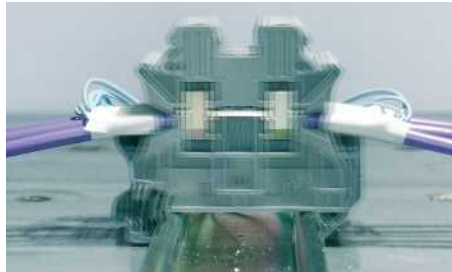
During the category 1b test, the test objects are exposed to a frequency range of 5 Hz to 150 Hz. The r.m.s. value of the acceleration is up to 5.72 m/s^2 . The test objects are tested for 5 hours on each of the three axes (x, y, z).

In addition to the vibrations, the electrical contact is monitored during the test to make it more difficult.

No damage may occur to the modular terminal blocks that would impair their

further use. In addition, no contact interruptions $> 1 \mu\text{s}$ are permitted during the test.

All Phoenix Contact modular terminal blocks, whatever their connection technology, meet this high vibration requirement.



Shock test

IEC 60068-2-27

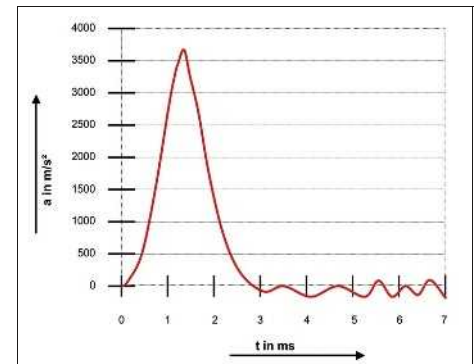
This test is performed to test and document the resistance of a terminal connection to irregular occurring shocks with varying energy content. Intensities from DIN EN 50155 and DIN EN 61373 (European standard for railway applications) are used to simulate the load in rail traffic.

For the definition of the shock, acceleration and duration are specified. IEC 60068-2-27 prescribes three positive and negative shocks on each of the three spatial axes (X, Y, Z). The simulated accelerations reach 50 m/s^2 with a shock duration of 30 ms.

No damage may occur at the terminal connection that would impair further use.

The contact behavior at the test objects is monitored during the test. When the railway standard is applied, no contact interruptions $> 1 \mu\text{s}$ are permitted.

Phoenix Contact modular terminal blocks achieve this shock resistance and are suitable for applications with the most extreme vibrations.



Shock diagram with 3 ms/350 g

Vibration test

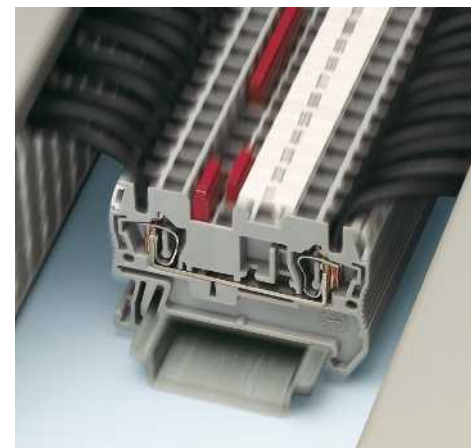
IEC 60068-2-6

This test demonstrates the vibration resistance of a terminal connection subjected to permanent vibrations. Harmonic, sinusoidal vibrations are applied to the test object to simulate rotating, pulsating or oscillating forces. The test is performed on each of the three spatial axes (X, Y, Z). In the test, the object runs through a frequency range of 5 Hz to 150 Hz at a speed of one octave per minute. The r.m.s. value of the acceleration is up to 40 m/s^2 . The test objects are tested for 2 hours on each of the three axes (x, y, z).

No damage may occur to the modular terminal blocks that would impair their further use. In addition, no contact interruptions $> 1 \mu\text{s}$ are permitted during the

test. The contact resistance is measured before and after the test.

All connection technologies meet the requirements of the standard without the electrical contact being interrupted. They are therefore particularly suitable for demanding applications in which the reliable function of the terminal connection must be ensured, even when subjected to vibrations.



Quality features of insulation material

Thermoplastics

The majority of our insulating housing is made from thermoplastic materials. Roughly speaking, these can be divided into amorphous and semi-crystalline substances. Thermoplastics are processed using the efficient and environmentally-friendly injection molding process. They have good recycling properties and can be re-used. We use many materials that are modified in different ways to meet the demanding requirements that electrical and electronic modules, devices, and systems have to meet with regard to their mechanical, thermal, and electrical properties. The thermoplastic is halogen free, i.e., there is no formation of combustion fumes that can lead to corrosive condensation alone or in conjunction with humidity. It also contains no silicone compounds, formaldehyde, PCB or PCT.

Behavior of plastics under the influence of temperature (operating temperatures)

All plastics undergo a process referred to as thermal aging when they are subjected to heat over long periods. This process causes changes in the mechanical and electrical properties of the material. External influences, e.g., radiation, additional mechanical, chemical or electrical stresses, amplify this effect. Special tests on samples can yield characteristic data which provides a good means of drawing comparisons between different plastics. However, applying these characteristics to an evaluation of molded plastic parts is only possible to a limited extent, and can only give the designer a rough guide when it comes to selecting a plastic material. IEC 60947-7-1/EN 60947-7-1 specifies a permissible temperature increase of 45 K for modular terminal blocks under nominal load. Phoenix Contact terminal blocks meet this requirement.

Inflammability characteristics of plastics (UL 94)

Inflammability tests for plastics have been defined by Underwriters Laboratories (USA) in regulation UL 94. This applies to all areas of application, but in particular to electrical engineering. A horizontal or vertical test is carried out at the test laboratory to determine the inflammability of the plastic material with a naked flame. In order of increasing resistance to combustion, the evaluation classes are HB, V1, V2, V0. Test results are recorded on "yellow cards" and are published annually in the **Recognized Component Directory**.

Thermoplastics: non-reinforced polyamide, PA

We use modern, semi-crystalline polyamide insulation material, which has now become an essential component in electrical engineering and electronics. It has long occupied a leading position and is authorized for use by the relevant approval authorities such as the CSA, KEMA, PTB, SEV, UL, VDE, etc.

Polyamide also has excellent electrical, mechanical, chemical, and other properties, even at high operating temperatures. Brief peak temperatures of up to approximately 200°C are permitted as a result of heat aging stabilization. Depending on the type (PA 4.6, 6.6, 6.10, etc.), its melting point is in the region of 215°C to 295°C.

Polyamide absorbs moisture from its surroundings, on average 2.8%. However, this moisture is not in the form of crystallization water in the plastic itself, but chemically bonded H₂O groups in the molecule structure. This makes the plastic flexible and resistant to breakage, even at temperatures as low as -40°C. According to UL 94, PA belongs to inflammability class V2 to V0.

Thermoplastics: fiberglass-reinforced polyamide, PA-F

Fiber-reinforced polyamides feature greater rigidity and hardness as well as operating temperatures higher than those of non-reinforced materials. This means that they are also suitable for use in applications such as surge protection.

Reinforced polyamide absorbs less moisture than the non-reinforced material. Otherwise, the properties are largely the same. Fiber-reinforced polyamide has a UL94 inflammability classification of HB to V0, although V0 materials are usually only available in black.

Thermoplastics: ABS

We use the thermoplastic molding compound ABS for products which must have good impact and notched impact properties in addition to high mechanical stability and rigidity. The products are resistant to chemicals and stress cracking due to their special surface quality and hardness.

The characteristic thermal properties provide good dimensional stability at both low and high temperatures. Products made of ABS can be coated with metallic surfaces, e.g., nickel.

According to UL 94, the molding compound used belongs to inflammability class HB to V0.

Thermoplastics: polyvinyl chloride, PVC

PVC is resistant to salt solutions, diluted and concentrated lyes and to most diluted and concentrated acids except for fuming sulfuric acid and concentrated nitric acid.

PVC is flame-retardant even without fire protection equipment (B1 according to DIN 4102 to UL 94 V0).

Properties	Unit/ stage	Polyamide PA	Polyamide PA	Polyamide PA-GF	Polyamide PA-GF	Polycarbonate PC-GF
Continuous temperature, DIN IEC 60216	°C	≤130	≤125	120	120	130
Minimum temperature (without mechanical load)	°C	-60	-60	-60	-60	-60
Dielectric strength, IEC 60243-1/DIN VDE 0303-21	kV/cm	600	600	330	400	300
Creep resistance, IEC 60112/DIN VDE 0303-1	CTI...	600	600	550	475	175
Tropical and termite resistance		Good	Good	Good	Good	Good
Specific contact resistance IEC 60093/VDE 0303-30; IEC 60167/VDE 0303-31	Ω cm	10 ¹²	10 ¹²	10 ¹²	10 ¹²	> 10 ¹⁴
Surface resistance IEC 60093/VDE 0303-30; IEC 60167/VDE 0303-31	W	10 ¹⁰	10 ¹⁰	10 ¹²	10 ¹²	> 10 ¹⁴
Inflammability class according to UL 94		V0	V2	V0	HB	V0

Insulating material properties

IEC 60210-1/UL 746 B

In the following tests, an increased load on the modular terminal block is simulated over a longer period of time. The behavior of plastics at constantly higher temperatures is described with respect to their tensile strength and insulation properties. IEC 60216 and UL 746 B specify a temperature index that allows conclusions to be drawn regarding the service life of plastics under thermal loads. Characteristic values are specified for both properties:

- Mechanically as a TI value according to IEC 60216
- Electrically as an RTI value according to UL 746 B

IEC 60216 – TI value

The tensile strength is measured over 5000 hours and the result is extrapolated to 20,000 hours. After 20,000 hours, the temperature is recorded at which the tensile strength decreased by half.

UL 746 B – RTI value

The RTI (elec.) indicates the highest operating temperature before a disruptive discharge occurs under certain test conditions. The polyamides used by Phoenix Contact are classified as follows:

	UL 94 V2	UL 94 V0
TI	105°C	125°C
RTI	125°C	130°C

Ceramic terminal blocks, for example, are available for use at higher temperatures.

Surface inflammability

ASTM E 162

The spread of a fire under the influence of heat is tested and evaluated in the above standard.

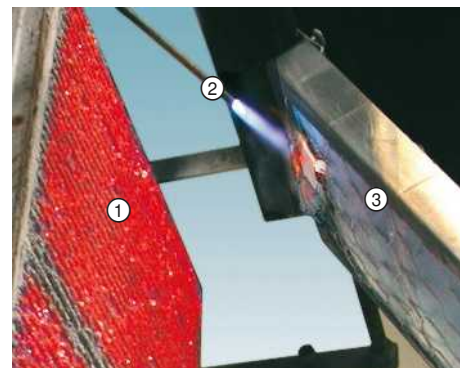
To evaluate the surface inflammability of plastics, a “flame spread index” is devised according to ASTM E 162 to provide information on flame propagation under given test conditions.

For this purpose, a sample (152 x 457 x maximum 25.4 mm) is irradiated with a heat source (815°C) at an angle of 30° and ignited with a naked flame at the top end. During the 15-minute duration of the test, the time in which the flame front reaches two measuring points that are 76 mm apart is determined. The product of this flame propagation time and a calculated heat development factor yields the “flame spread index”.

In the American railroad sector, the maximum limit value is 35. In this test, the drip

behavior of the plastic is also observed and evaluated.

The modular terminal blocks from Phoenix Contact achieve a flame spread index of 5, drip without burning, and are therefore well below the maximum permitted values of the Federal Railroad Administration (FRA) of the US Department of Transportation.



- ① Radiant heater
- ② Flame
- ③ Plastic sample

Smoke gas development

ASTM E 662

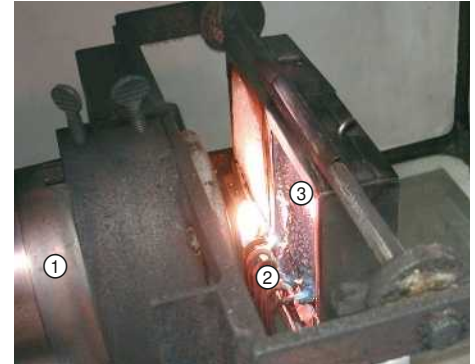
Standard ASTM E 662 specifies a procedure for evaluating the specific optical density of the smoke (smoke opacity) during an open fire or a smoldering fire. For this purpose, the percentage of light transmitted in relation to the burning chamber volume is observed. A sample (76 x 76 x maximum 25 mm) is placed in a smoke density chamber (see figure) as defined by the NBS (National Bureau of Standards). The test object is irradiated with a heat of 2.5 W/cm². The following processes are then simulated for 20 minutes:

1. Burning with a naked flame
2. Smoldering fire, avoidance of a naked flame

There are special limit values for the optical smoke density of both processes that are recorded after 1.5 and 4 minutes.

- a. Specific optical smoke density (Ds1.5) – limit value 100
- b. Specific optical smoke density (Ds4) – limit value 200
- c. Maximum smoke density (Dm) during the 20 minutes

The polyamides used for Phoenix Contact modular terminal blocks meet all the requirements of the Federal Railroad Administration (FRA) of the US Department of Transportation in accordance with ASTM E 662.



- ① Radiant heater
- ② Flame
- ③ Plastic sample

Behavior in fire

NF F 16-101

NF F 16-101 describes the behavior in fire of plastics on the basis of two indices (I and F). As such, the following tests are performed: glow-wire test, oxygen index, smoke gas opacity, smoke gas toxicology.

1. Determination of index I (0 - 4)

Index I is determined from the results of the glow-wire test and the oxygen index, using the following table. Here, I 0 is the best classification and I 4 the worst.

Index	Oxygen index	Glow wire
I 0	70%	960°C, no flame formation
I 1	45%	960°C, no flame formation
I 2	32%	960°C, no flame formation
I 3	28%	850°C, no flame formation
I 4	20%	850°C, flame extinguishes quickly

2. Determination of smoke index F (0 - 5)

This is based on the smoke gas opacity and the smoke gas toxicity. The following concentrations in [ppm] are considered critical:

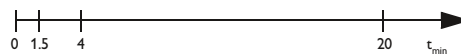
Carbon monoxide (CO)	1750
Carbon dioxide (CO ₂)	90,000
Hydrochloric acid (HCl)	150
Hydrobromic acid (HBr)	170
Hydrocyanic acid (HCN)	55
Hydrofluoric acid (HF)	17
Sulfur dioxide (SO ₂)	260

Using the test results, a smoke index is documented and can be assigned to classes F 0 - F 5 depending on the value. Here, F 0 is the best classification and F 5 the worst. Modular terminal blocks from Phoenix Contact attain classification I 2/F 2.

Smoke gas toxicity

SMP 800-C

SMP 800 C describes the maximum permissible values of toxic smoke gases when a plastic is burned. In comparison with BSS 7239 (Boeing standard), this standard specifies more precise measuring methods for the qualitative and quantitative determination of toxic smoke gases that result when a test object is completely burned. The smoke gases of these measurements are taken from the NBS test chamber of the ASTM E 662 test. The same time scheme is valid here as in ASTM E 662.



Data is recorded over a full 20 minutes. SMP 800 C limit values of toxic smoke gases in ppm:

Carbon monoxide (CO)	3500
Carbon dioxide (CO ₂)	90,000
Nitrogen oxides (NO _x)	100
Sulfur dioxide (SO ₂)	100
Hydrochloric acid (HCl)	500
Hydrobromic acid (HBr)	100
Hydrofluoric acid (HF)	100
Hydrocyanic acid (HCN)	100

The polyamides used by Phoenix Contact are many times below the critical concentrations.

Halogen-free flame protection

DIN EN ISO 1043-4

Halogens are understood as the chemical elements fluorine, chlorine, bromine, and iodine. One property of halogen compounds relates to the reduction in the degree of inflammability when used in plastics. In fire-protection tests, a connection has been found between the release of toxic gases and halogens.

Modular terminal blocks from the CLIPLINE complete system are made of polyamide 6.6 (PA 6.6) with fire protection classification UL 94 V0. Melamine cyanurates are used instead of halogen-containing flame protection agents. Phoenix Contact modular terminal blocks are therefore, without exception, entirely free of halogens.



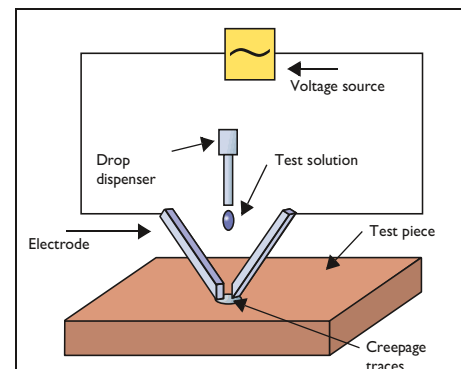
Comparative tracking index (CTI)

DIN EN 60112

Humidity and contamination facilitate the formation of creepage distances on the plastic surface. The formation of creepage distances is understood as the occurrence of conductive connections between neighboring potentials depending on their voltage differences under electrolytic influences. The CTI value of a plastic indicates the extent to which this creepage distance formation is prevented. Two platinum electrodes are set up on a test piece (20 mm x 20 mm x 3 mm) with a spacing of 4 mm. A test voltage specified by the standard is applied to both electrodes, which are subsequently sprinkled

with a drop of test solution every 30 seconds from a device.

The test evaluates the maximum voltage value at which 50 drops are applied without a short-circuit current of > 0.5 A. The plastics used by Phoenix Contact are classified in the highest test voltage category with a CTI value of 600.

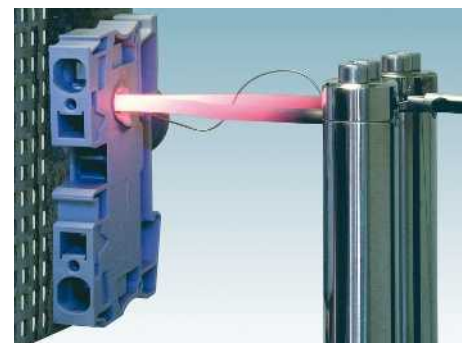


Glow-wire test

IEC 60695-2-11

In the event of overload, conductive metal parts of the modular terminal block or connected conductors can heat up considerably. This additional heat affects the plastic housing. To simulate this source of danger for electrotechnical components, a glow wire is heated to a specific temperature (550°C, 650°C, 750°C, 850°C or 960°C) in a glow-wire test and is then pushed onto the thinnest part of the housing of the test object at a right angle with a force of 1 N, as shown in the figure. The test is deemed to be passed:

- When no flame or glowing process occurs during the test
 - When the flames or glowing processes are extinguished within 30 seconds of the glow wire being removed
 - When the tracing paper beneath the glow wire does not ignite due to drops of burning substances falling down
- The polyamides used by Phoenix Contact as housing materials all meet the requirements of the glow-wire test at 960°C (highest level).



Needle flame test

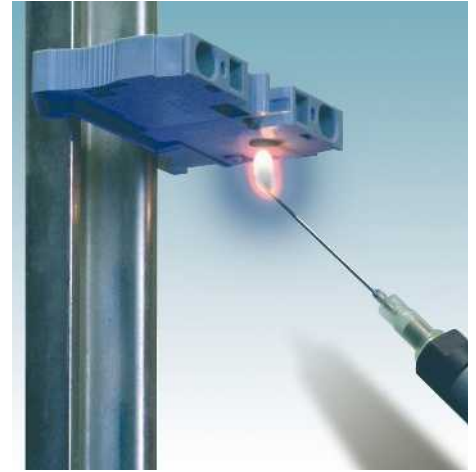
IEC 60947-7-1/-2

As far as the use of modular terminal blocks is concerned, behavior in fire when in direct contact with a source of ignition is a major criterion. Such sources of ignition coupled with flames could be arcs along a creepage distance, for example. Terminal blocks must not aid or accelerate fires and the plastics must have self-extinguishing properties.

This fire test simulates the behavior of the components with an external source of ignition acting on them directly from outside.

In the test, a naked flame fed with butane gas is held at an edge or surface of the test object at an angle of 45° for 10 seconds (see figure). The behavior of the test object without a source of ignition is then observed.

- The test is deemed to be passed:
- When the flames or glowing processes are extinguished within 30 seconds of the flame being removed.
 - When the tracing paper beneath the test object does not ignite due to drops of burning substances falling down.
- All Phoenix Contact modular terminal blocks pass the needle flame test thanks to the high-grade plastics used and their structural design.



Heating value of the plastic

DIN 51900-2/ASTM E 1354

Due to experience with fire catastrophes, technical plants are increasingly also classified according to the amount of heat dissipation in the case of fire. The reason for this is to limit heat generation in relation to the area.

Fire load

The fire load is understood as the amount of energy released over a particular area during burning. The value of the fire load is usually expressed in MJ/m². The higher the calorific value and the presence of a substance, the greater the amount of energy released during burning. The calorific values of polyamides are relatively high. For this reason, the calorific values of modular terminal blocks are also increasingly included in the fire load determination. Calorific values of the plastics used by Phoenix Contact in accordance with:

DIN 51900-2:

Polyamide 66 V2	Approx. 30 MJ/kg
Polyamide 66 V0	Approx. 32 MJ/kg

ASTM E 1354:

Polyamide 66 V2	Approx. 22 MJ/kg
Polyamide 66 V0	Approx. 24 MJ/kg

For comparison:

Heating oil	Approx. 44 MJ/kg
-------------	-------	------------------

To calculate the fire load of individual components, the calorific value of each polyamide must be multiplied by the weight of the part.

Inflammability classification

UL 94

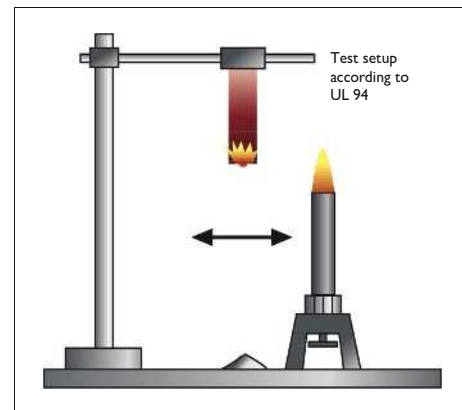
UL 94 describes inflammability tests that have gained particular importance in the field of electrical engineering. Behavior in fire is the main focus. Items are classified according to either UL 94 HB (Horizontal Burn) or UL 94 V (Vertical Burn). The test setup is such that the 94 V0/1/2 classifications are stricter than the 94 HB classification.

UL 94 V0/1/2

After conditioning, the test bar is vertically clamped and flame-treated several times for 10 seconds at a time. Between the flame treatments, the time until the test bar is extinguished is measured.

Afterwards, the afterburning times and the drip behavior are evaluated.

The plastic used for Phoenix Contact modular terminal blocks meets the higher-grade criteria for classification as a V0 material.



Classification

	UL 94 V0	UL 94 V1	UL 94 V2
Burning time after each flame treatment	≤ 10 s	≤ 30 s	≤ 30 s
Total burning time after 10 flame treatments	≤ 50 s	≤ 250 s	≤ 250 s
Glowing time after the 2nd flame treatment	≤ 30 s	≤ 60 s	≤ 60 s
Complete burn-off	No	No	No
Ignition of the absorbent cotton under the sample	No	No	No

Shock protection

IEC 60529/DIN EN 50274

Electrical installations and plants must also afford service technicians a high level of safety when carrying out maintenance involving measuring and testing tasks.

BGV A2 specifies safety distances for work, operation, and occasional handling near parts that pose a potential danger in low-voltage plants up to 1000 V AC and 1500 V DC, based on standard IEC 60529. For the purpose of contact safety, a distinction is made between back-of-hand and finger safety. The extent to which conductive parts are safe to touch is tested with a test finger and test ball. It must not be possible to touch conductive parts with the test equipment.

Phoenix Contact modular terminal blocks are designed in accordance with IEC 60529/DIN EN 50274.



Test finger Ø 12.5 mm



Test ball Ø 50 mm

Color designations

Color	Code
White	WH
Red	RD
Blue	BU
Green	GN
Yellow	YE
Gray	GY
Brown	BN
Orange	OG
Black	BK
Turquoise	TQ
Ivory	IV
Beige	BE
Olive	OL

Alphabetical

Type	Order No.	Page	Type	Order No.	Page	Type	Order No.	Page	Type	Order No.	Page	
A			ATP-UT-QUATTRO	3047196	44	D-MZB 1,5	3024177	294	D-RSC 6-F	3213108	621	
			ATP-UT-TWIN	3047183	42	D-MZB 1,5 BU	3024423	294	D-RT 3/5	3049097	452	
			ATP-UTTB 2,5/4	3047316	46	D-MZB 1,5-F	3024180	298	D-RT 5-T	3049291	453	
			ATP-ZFKKB 4	3005772	250	D-MZB 1,5-F BU	3024449	298	D-RT 8	3049194	453	
	AB-PTI	3214006	180	ATS-GSK	0304227	532	D-MZFKK 1,5	3029839	293	D-RV 8	3191026	578
	AB-PTI 6	3214008	181	ATS-MTK	3101223	548	D-OTTA 2,5	0790569	613	D-RVS 10	3191437	579
	AB-PTI/3	3213974	186	ATS-RTK	0310224	555	D-OTTA 6	0790417	614	D-SC 2,5	3042243	399
	AB-SK	3025341	647	ATS-RTK-BEN	0308223	555	D-OTTA 6-T	0790459	616	D-SC 4	3043307	399
	AB-SK 65	3026489	647	ATS-URTK/SS	0321226	553	D-OTTA 25	0790514	615	D-SRTK 6	3029981	257
	AB-SK 65-D	3026900	649	AZK 35	0702997	97	D-OTTA/RBO-SB	3001355	617	D-SSK 0525 KER	0201061	593
AB-SK 65-D INSULATED	3040889	649				D-PIK 4	2714080	586	D-SSK 110 KER	0202060	594	
AB-SK TOP	3062090	646				D-PIK 4-PE/L/NTB	2714161	588	D-SSK 116 KER	0203069	595	
AB-SK TOP INSULATED	3062074	646				D-PPC 1,5/S	3213690	392	D-SSK 135 KER	0205067	595	
AB-SK-D TOP	3062100	648				D-PPC 6	3000703	393	D-ST 1,5/S-QUATTRO	3213166	220	
AB-SK-D TOP INSULATED	3062087	649				D-PT 1,5/S	3208142	104	D-ST 10	3036644	206	
AB-SK/E	3026476	652				D-PT 1,5/S-3L	3113771	134	D-ST 10-TWIN	3035315	214	
AB-SK/E-NS 35	3213111	652	BE-RT 3/5	3049819	452	D-PT 1,5/S-QUATTRO	3208375	124	D-ST 16	3036657	207	
AB-SKS 60	3240223	647	BE-RT 8	3049916	453	D-PT 1,5/S-QUATTRO/2P	3212426	354	D-ST 16-TWIN	3035357	215	
AB-STI	3030828	282	BES 6	2802549	546	D-PT 1,5/S-TWIN	3208184	116	D-ST 2,5	3030417	105	
AB-STI 16/10	3037669	283	BES 6-1N4007	2802552	546	D-PT 10	3212057	106	D-ST 2,5-0,8 OG	3030511	105	
AB-STI/3	3030831	288	BES 6-LA 24	2802565	546	D-PT 10-TWIN	3208748	118	D-ST 2,5-3L	3036660	232	
AB-UTI/3	3076038	90	BES 6-LA230	2802578	546	D-PT 16 N	3212060	107	D-ST 2,5-4L/1P	3041930	389	
AB-UTN 2,5/10	3245082	86	BN WH	1401404	631	D-PT 16-TWIN N	3208799	119	D-ST 2,5-4L/2P	3041927	389	
AB/NS	1201141	583				D-PT 2,5-3L	3211647	136	D-ST 2,5-PE/3L	3036673	235	
AB/SKS	3240224	650				D-PT 2,5-4L/1P	3012301	371	D-ST 2,5-QUATTRO	3030514	125	
AB/SS	0404428	96				D-PT 2,5-4L/2P	3012311	371	D-ST 2,5-QUATTRO-0,8 OG	3030513	125	
AB/SS-M	3025888	650				D-PT 2,5-MT	3211003	146	D-ST 2,5-QUATTRO-MT	3038590	147	
AB2/SS	0404431	96				D-PT 2,5-MTB	3210196	148	D-ST 2,5-QUATTRO/2P	3040083	355	
AB3/SS	0800086	96	C-FC 1,5/M3	3240137	663	D-PT 2,5-QUATTRO-MTB	3210209	149	D-ST 2,5-QUATTRO/4P	3042175	361	
ABN 2/SS	0404460	96	C-ME 4/2	3035759	69	D-PT 2,5-TWIN-MT	3211317	147	D-ST 2,5-TWIN	3030488	117	
AGK 10-PTPOWER	3260145	109	C-ME 4/3	3035760	69	D-PT 2,5-TWIN-MTB	3210202	149	D-ST 2,5-TWIN-0,8 OG	3030512	117	
AGK 10-PTPOWER BK/YE	3260154	109	C-ME 6/2	3034442	75	D-PT 4-QUATTRO	3208979	125	D-ST 4	3030420	105	
AGK 10-PTPOWER BU	3260148	109	C-ME 6/3	3034390	75	D-PT 4-TWIN	3208977	117	D-ST 4-QUATTRO	3030527	221	
AGK 10-PTPOWER GN/YE	3260151	109	CARRIER 35-8	3034387	75	D-PT 6	3212044	105	D-ST 4-QUATTRO/2P	3043747	377	
AGK 10-UKH 150/240	3003554	32	CARRIER-TM 300	0828282	484	D-PT 6-QUATTRO	3212963	125	D-ST 4-TWIN	3030491	213	
AGK 10-UKH 50	3001763	30	CARRIER-TMD 300	0828693	484	D-PT 6-QUATTRO/2P	3061855	355	D-ST 6	3030433	205	
AGK 10-UKH 95	3003541	31	CARRIER-TMH 300	0830670	484	D-PT 6-TWIN	3211508	117	D-ST 6-TWIN	3036767	213	
AGK 4-UT 10	3047112	27	CLIP-PROJECT ADVANCED	5146040	704	D-PTB 2,5-PE/L/L	3210553	197	D-STI 10/16	3038309	283	
AGK 4-UT 16	3047125	28	CLIP-PROJECT PROFESSIONAL	5146053	705	D-PTB 2,5/3	3210552	195	D-STI 2,5	3030569	282	
AGK 4-UT 35	3047138	29	CLIPFIX 35-5	3022276	461	D-PTI/3	3213975	186	D-STI 4	3030640	283	
AK 4	0404017	94	CP-H 2,5-4L	3012313	371	D-PTI/3B	3213976	149	D-STI/3	3030844	288	
AK 16	0404033	95	CP-H 2,5-4L-PE	3012323	371	D-PTIO 1,5/S/3	3244575	138	D-STI/3B	3038655	290	
AK 35	0404046	95	CP-H 2,5-4L-Z	3012314	371	D-PTIO 1,5/S/4	3244588	140	D-STIO 2,5/3	3209112	236	
AKG 4 BK	0421032	94	CP-H 2,5-4L-Z-PE	3012324	371	D-PTME 4	3212167	155	D-STIO 2,5/4	3209125	238	
AKG 4 BU	0421016	94	CP-HCC 4	1600027	438	D-PTME 6-CT/1P	3212303	373	D-STIS 2,5	3031762	169	
AKG 4 GNYE	0421029	94	CP-MSTB	1734634	446	D-PTME 6/1P	3212307	375	D-STIS 4	3031704	269	
AKG 16 BK	0423030	95	CPH 3-9	3212015	432	D-PTN 2,5	3213977	184	D-STIS 4-TWINL	3036770	273	
AKG 16 BU	0423014	95	CPH 4-12	3212028	432	D-PTN 4	3213978	185	D-STIS 6	3038189	269	
AKG 16 GNYE	0423027	95	CR-MSTB	1734401	444	D-PTN 6	3213979	185	D-STIS 6-TWIN	3038202	273	
AKG 35 BK	0424039	95	CRIMPFOX MT 2,5	1204038	438	D-PTS 1,5/S	3214576	168	D-STTB 2,5	3030459	226	
AKG 35 BU	0424013	95	CZ/2	3043831	428	D-PTTB 1,5/S	3208579	128	D-STTB 2,5-TWIN	3038558	227	
AKG 35 GNYE	0424026	95				D-PTTB 1,5/S/2P	3212471	358	D-STTB 2,5/2P	3040096	359	
AP RSC	3058017	619				D-PTTB 1,5/S/4P	3213894	364	D-STTB 2,5/4P	3061538	365	
AP RSC-T	3059139	620				D-PTTB 2,5	3211634	129	D-STTB 4	3030462	129	
AP-CP-H	3012315	371				D-PTTBS 1,5/S	3214699	171	D-STTBS 2,5	3038503	132	
AP-NLS	5037133	583				D-PTTBS 1,5/S/2P	3214534	367	D-STTBS 4	3035098	279	
ASB 2-RTK/S	0311281	555	D-CP-H 2,5-4L	3012320	371	D-PTU 4-TWIN	3211863	165	D-STTBS 4-MT	3035548	247	
ATP-DIK 1,5	1413272	514	D-DTI 2,5	3034824	180	D-QTC 1,5	3205161	308	D-STTBU 4	3033207	266	
ATP-DIKD 1,5	1413285	515	D-DTI 4	3034895	181	D-QTC 1,5-QUATTRO	3205174	309	D-STU 10/ 4X2,5	3033197	264	
ATP-MBK	1413227	608	D-DTI 6	3034947	181	D-QTC 1,5-TWIN	3205190	309	D-STU 2,5-TWIN	3033045	164	
ATP-OTTA 2,5	0790572	613	D-DTME 6	3034426	157	D-QTC 1,5/1P	3206322	390	D-STU 4-TWIN	3033087	263	
ATP-OTTA 25	0790501	615	D-HK 4	2002022	569	D-QTC 2,5	3206568	308	D-UDK 4	2775113	504	
ATP-PIK	2714145	586	D-MBK 5/E-T	1413706	542	D-QTC 2,5-TWIN	3206571	309	D-UDK 4 BU	2775197	504	
ATP-PTI/3	3213990	90	D-MBK/E	1415021	608	D-QTCS 1,5	3206270	324	D-UDK-RELG	2777027	543	
ATP-QTC	3206209	169	D-MBKKB 2,5	1413052	610	D-QTCS 1,5-TWIN	3206403	325	D-UGSK	0304023	553	
ATP-QTC QUATTRO	3206225	309	D-MBKKB 2,5 BU	1413081	610	D-QTCS 2,5	3206584	324	D-UHSK 2000	0704021	494	
ATP-QTC TWIN	3206212	243	D-MPT 1,5/S	3248120	176	D-QTCS 2,5 TWIN	3050523	325	D-UJK 2,5	3001022	492	
ATP-QTTCB	3206238	312	D-MPT 2,5	3248140	177	D-QTCU 1,5	3206283	320	D-UJK 2,5 BU	3001103	492	
ATP-ST 4	3030721	104	D-MSBV 2,5	3251018	300	D-QTCU 1,5-TWIN	3206296	321	D-UJK 4/10	3003020	493	
ATP-ST 6	3024481	105	D-MSBV 2,5-F	3251021	303	D-QTCU 2,5	3206597	320	D-UJK 4/10 BU	3003101	493	
ATP-ST QUATTRO	3030815	124	D-MT 1,5	3100321	603	D-QTCU 2,5 TWIN	3050510	321	D-UJK 5-TWIN	1923034	500	
ATP-ST-TWIN	3030789	116	D-MT 1,5 BU	3025529	603	D-QTTCB 1,5	3205187	312	D-UJK 5-TWIN BU	1923050	500	
ATP-STI/3	3030857	288	D-MT 1,5-QUATTRO	3002982	604	D-QTTCB 1,5/2P	3206306	391	D-UJK 16	3006027	495	
ATP-STTB 4	3030747	128	D-MT 1,5-QUATTRO BU	3025309	604	D-QTTCS 1,5	3206335	325	D-UJK 5-HESI N	3000543	524	
ATP-UK	3003224	492	D-MT 1,5-TWIN	3002979	604	D-QTTCSBU 1,5	3050536	321	D-UJK 6-T	3072802	556	
ATP-UK 5-MTK	3004210	549	D-MT 1,5-TWIN BU	3025545	604	D-RSC 5	3058020	619	D-UJKK 3/5	2770024	506	
ATP-UKK 3/5	2778521	506	D-MTK	3101029	548	D-RSC 5-F	3059647	619	D-UJKK 3/5 BU	2770105	506	
ATP-UKKB 3	2771065	506	D-MTK BU	3101090	548	D-RSC 5-T	3058046	620	D-UJKK 4	2770558	573	
ATP-URTK/SP	0311139	76	D-MTTB 1,5	3002665	605	D-RSC 5-T-F	3059346	620	D-UJKKB 3/5	2771023	506	
ATP-UT	3047167	26	D-MUT 2,5/4	3248033	80	D-RSC 6	3213098	621	D-UJKKB 3/5 BU	2771104	506	

Type	Order No.	Page	Type	Order No.	Page	Type	Order No.	Page	Type	Order No.	Page
D-UKKB 10	3001394	508	DP PS-5	3036725	478	EBL 10-5	2303132	493	FBS 4-5	3030187	472
D-UKN 2,5	3032017	583	DP PS-6	3036738	478	EBP 2-5	1733169	444	FBS 4-5 BU	3036893	473
D-URTK	0310020	555	DP PS-8	3036741	478	EBS 2-8	3118151	524	FBS 4-5 GY	3038985	473
D-URTK 6	3026340	77	DP-CP-H 2,5-4L	3012319	371	EBS 3-8	3118148	524	FBS 4-6	3030255	472
D-URTK/S-BEN	0308029	555	DP-MBKKB 2,5	1413065	610	EBS 10-8	3118135	524	FBS 4-6 BU	3036958	473
D-URTK/SS	0321022	553	DP-MTTB 1,5	3002681	605	EK 116	0401010	97	FBS 4-6 GY	3032279	473
D-USK 4/10	0260028	571	DP-STMED 6	3035690	159	EK 135	0401023	97	FBS 4-8	3030307	472
D-USST 4-MT	3070304	599	DP-UK 10,3-HESI	3211238	537	ESB 2-MZDB	3029703	295	FBS 4-8 BU	3032583	473
D-USST 4/10	3070370	597	DP-UKK 3/5	2770794	506				FBS 4-8 GY	3032635	473
D-USST 6-T	3070367	600	DP-UKKB 3/5	2770804	506				FBS 5-4	3030145	472
D-UT 16	3047206	28	DP-UTTB 2,5/4	3047303	46				FBS 5-4 BU	3030146	473
D-UT 2,5-3L	3214314	50	DS-QTC 1,5	3205200	309				FBS 5-4 GY	3030147	473
D-UT 2,5/10	3047028	26	DS-QTC 2,5	3206607	309				FBS 5-5	3030190	472
D-UT 2,5/1P	3047154	336	DS-ST 2,5	3036602	117	FB 10- GSK/S	0305174	553	FBS 5-5 BU	3036903	473
D-UT 2,5/4-QUATTRO	3047170	44	DS-ST 2,5/2P	3042337	361	FB 10- RTK/S	0311171	555	FBS 5-5 BU	3036903	473
D-UT 2,5/4-TWIN	3047141	42	DS-ST 2,5/P	3041011	377	FB 10- URTK/SP	0311663	561	FBS 5-5 GY	3038998	473
						FB 10-13	3059126	619	FBS 5-6	3030349	472
D-UT 4-QUATTRO HV	3048852	45	DS-ST 4	3036615	213	FB 10-13 ISO	3059663	619	FBS 5-6 GY	3032266	473
D-UT 4-QUATTRO/2P	3045648	341	DS-ST 4/P	3043750	377	FB 10-17	3075951	621	FBS 5-8	3030310	472
D-UT 4-TWIN HV	3000710	43	DS-UT 2,5/4	3047109	42	FB 10-17 ISO	3213085	621	FBS 5-8 BU	3032596	473
D-UT 4-TWIN/ 1P	3045237	340				FB 10-9	3059113	626	FBS 5-8 GY	3032648	473
D-UT 6-QUATTRO/2P	3060607	341				FB 10-9 ISO	3059650	626	FBS 6-8	3032470	472
D-UT 6-T-HV	3070147	76				FBI 2-15	0201333	85	FBS 6-8 BU	3032677	473
D-UTI/3	3076036	90				FBI 2-20	0201346	30	FBS 6-8 GY	3032664	473
D-UTME 4	3047491	69				FBI 3-15	0201278	85	FBS 1,5/S-PV	3216263	473
D-UTME 4-CT/1P	3057445	73	E/1	1201044	593	FBI 3-20	0201317	30	FBS 1/4/7/10-8	3032402	472
D-UTME 4/1P	3057429	70	E/AL-NS 32	1201659	30	FBI 10-6	0203250	493	FBS 10-3,5	3213056	472
D-UTME 6	3047426	75	E/AL-NS 35	1201662	30	FBI 10-8	0203263	494	FBS 10-3,5 BU	3213125	473
D-UTN 2,5/10	3245079	86	E/MBK	1201637	442	FBI 10-10	0203276	494	FBS 10-3,5 GY	3213196	473
D-UTTB 2,5/4	3047293	46	E/UK	1201442	442	FBI 10-12	0203454	84	FBS 10-4	3030158	472
D-UTTB 2,5/4 2P	3060393	344	EB 2-5	1401158	610	FBI 2-20 N	3213195	31	FBS 10-4 BU	3036851	473
D-UTTB 4 HV	3000709	47	EB 2-6	0201155	501	FBI 3-20 N	3213205	31	FBS 10-4 GY	3030160	473
D-UVK 4	1922022	569	EB 2-8	0202154	533	FBP 12+1	3069408	675	FBS 10-5	3030213	472
D-UVKB 4	1920024	568	EB 2- OTTA 6	0790608	614	FBP 4+1	3069405	663	FBS 10-5 BU	3036916	473
D-ZFKK 2,5-MT	3024151	250	EB 2-10	0203153	527	FBP 5+1	3069409	667	FBS 10-5 GY	3039007	473
D-ZPV 1,5/2,5 (8/1)	3031050	240	EB 2-15 K/UK 35	0205119	581	FBP 6+1	3069406	669	FBS 10-6	3030271	472
D-ZRV 8	3024766	241	EB 2-18	3009300	534	FBP 8+1	3069407	673	FBS 10-6 BU	3032198	473
D-ZRV 8 BU	3029334	241	EB 2-25/UKH	0201362	31	FBRI 2-5 N	3000227	250	FBS 10-6 GY	3032253	473
D/TP-VBS	0851026	570	EB 2-31/UKH	0201388	32	FBRI 3-5 N	3000201	250	FBS 10-8	3030323	472
DB 50- 90 BK	2820916	241	EB 2-36/UKH	0201401	33	FBRI 4-5 N	3000191	504	FBS 10-8 BU	3032606	473
DB 50-90 BU	2821180	241	EB 2-OTTA 2,5	3026065	613	FBRI 10-5 N	2770642	250	FBS 10-8 GY	3032651	473
DB 50-90 GY	2820929	241	EB 3-5	1401145	610	FBRI 10-8 N	2772080	77	FBS 2-3,5	3213014	472
DF-SP-H 2,5	3209824	436	EB 3-6	0201142	501	FBRN 10-4 N	3001624	492	FBS 2-3,5 BU	3213086	473
DF-UP 4	3060348	436	EB 3-8	0202141	533	FBRN 2-5 N	3000175	506	FBS 2-3,5 GY	3213153	473
DF-UP 6	3060856	436	EB 3-15 K/UK 35	0205106	581	FBRN 3-5 N	3000162	506	FBS 20-3,5	3213069	472
DF-UPBV 2,5/4	3060432	436	EB 3-18	3009305	534	FBRN 4-5 N	3000159	506	FBS 20-3,5 BU	3213138	473
DFS-CP 2,5-4L	3012321	371	EB 3-25/UKH	0201375	31	FBRN 10-5 N	2770639	506	FBS 20-3,5 GY	3213206	473
DFS-CP-H 2,5-4L	3012317	371	EB 3-31/UKH	0201391	32	FBRN 10-6 N	2770626	553	FBS 20-4	3030352	472
DFS-SP-H 2,5	3061431	435	EB 3-36/UKH	0201414	33	FBS 1/3-8	3032363	472	FBS 20-4 BU	3030353	473
DFS-SPB 2,5	3061444	435	EB 3-OTTA 2,5	3026078	613	FBS 1/3/5-8	3032389	472	FBS 20-4 GY	3030354	473
DFS-SPDB 2,5	3061457	435	EB 3-OTTA 6	3026036	614	FBS 1/4-8	3032376	472	FBS 20-5	3030226	472
DG-MTTB 1,5	3002678	605	EB 4- 8	0202142	533	FBS 2-10	3005947	472	FBS 20-5 BU	3036929	473
DG-UKK 3/5	2770817	522	EB 4-OTTA 2,5	3026081	613	FBS 2-12	3005950	472	FBS 20-5 GY	3038671	473
DG-UKKB 3/5	2770859	577	EB 4-OTTA 6	3026049	614	FBS 2-16	3005963	472	FBS 20-6	3030365	472
DIK 1,5	2715966	514	EB 5-OTTA 2,5	3026094	613	FBS 2-4	3030116	472	FBS 20-6 BU	3032208	473
DIK 1,5 BU	2716059	514	EB 6-OTTA 2,5	3026104	613	FBS 2-4 BU	3030117	473	FBS 3-3,5	3213027	472
DIK 1,5-LA 24GN/O-M	2715762	516	EB 7-OTTA 2,5	3026117	613	FBS 2-4 GY	3030118	473	FBS 3-3,5 BU	3213099	473
DIK 1,5-LA 24GN/U-O	2715733	516	EB 7-OTTA 6	3026052	614	FBS 2-5	3030161	472	FBS 3-3,5 GY	3213167	473
DIK 1,5-LA 24RD/O-M	2715856	516	EB 10-5	1401132	610	FBS 2-5 BU	3036877	473	FBS 4-3,5	3213030	472
DIK 1,5-LA 24RD/U-O	2715995	516	EB 10-6	0201139	493	FBS 2-5 GY	3038969	473	FBS 4-3,5 BU	3213109	473
DIKD 1,5	2715979	515	EB 10-8	0202138	494	FBS 2-6	3030336	472	FBS 4-3,5 GY	3213180	473
DIKD 1,5 BU	2716101	515	EB 10- DIK BU	2716680	514	FBS 2-6 BU	3036932	473	FBS 5-3,5	3213043	472
DIKD 1,5-2D	2716512	515	EB 10- DIK GY	2715937	514	FBS 2-6 GY	3032237	473	FBS 5-3,5 BU	3213112	473
DIKD 1,5-LA 24GN/O-M	2716376	517	EB 10- DIK RD	2716774	514	FBS 2-8	3030284	472	FBS 5-3,5 GY	3213183	473
DIKD 1,5-LA 24GN/U-O	2716402	517	EB 10- OTTA 6	0790420	614	FBS 2-8 BU	3032567	473	FBS 5-6 BU	3036961	473
DIKD 1,5-LA 24RD/O-M	2715814	517	EB 10-10	0203137	495	FBS 2-8 GY	3032621	473	FBS 50-3,5	3000706	472
DIKD 1,5-LA 24RD/U-O	2716279	517	EB 10-12	3006137	495	FBS 3-4	3030129	472	FBS 50-3,5 BU	3000708	473
DIKD 1,5-PV	2715092	515	EB 10-15 K/UK 35	0205096	581	FBS 3-4 BU	3030130	473	FBS 50-3,5 GY	3000707	473
DIKD 1,5-PV BK	2715571	515	EB 10-OTTA 2,5	3026120	613	FBS 3-4 GY	3030131	473	FBS 50-5	3038930	472
DIKD 1,5-PV BU	2715584	515	EB 2-25/PT	3260157	109	FBS 3-5	3030174	472	FBS 50-5 BU	3032114	473
DIKD 1,5-TG	2774237	517	EB 25-40	3048412	541	FBS 3-5 BU	3036880	473	FBS 50-5 GY	3032127	473
DLK 2,5-PE	3011041	523	EB 3-25/PT	3260160	109	FBS 3-5 GY	3038972	473	FBS 50-6	3032224	472
DLK 4-PE	3011999	523	EB 36-27	3009341	540	FBS 3-6	3030242	472	FBS 50-6 BU	3032211	473
DLKB 2,5-PE	3011038	523	EB 36-27/L1-L2-L3	3009354	540	FBS 3-6 BU	3036945	473	FBS-PV	3032185	473
DOK 1,5	2717016	518	EB 56-18	3009299	534	FBS 3-6 GY	3032240	473	FBS-PV PT 2,5-4L	3012318	473
DOK 1,5-2D	2717139	519	EB 56-18/L1-L2-L3	3009367	534	FBS 3-8	3030297	472	FBS-PV UT	3047358	473
DOK 1,5-LA 24GN/O-M	2717074	518	EB 80- DIK BU	2715940	514	FBS 3-8 BU	3032570	473	FBSC	3012325	472
DOK 1,5-LA 24RD/O-M	2717029	518	EB 80- DIK RD	2715953	514	FBS 3-8 GY	3032622	473	FBFSR 2-5	3033702	474
DOK 1,5-TG	2717113	519	EB 80- DIK WH	2715788	514	FBS 4-4	3030132	472	FBFSR 2-6	3033715	474
DOKD 1,5-TG	3011054	519	EBL 2- 5	2303145	500	FBS 4-4 BU	3030133	473	FBFSR 2-8	3033808	474
DP PS-4	3036712	478	EBL 3- 5	2303158	500	FBS 4-4 GY	3030134	473	FBFSR 5-8	3033809	474

Alphabetical

Type	Order No.	Page	Type	Order No.	Page	Type	Order No.	Page	Type	Order No.	Page
FBSR 10-5	3033710	474	HC-RBO 16-FE	3247997	623				MSDB 2,5-NS 35 YE	3073131	297
FBSR 10-6	3033716	474	HC-RBO 8	3247967	622				MSDB 2,5-RZ	3244339	299
FBSR 16-8	3033816	474	HC-RBO 8 BU	3247969	622				MSDB 2,5-RZ BU	3244342	299
FBSRH 2-8	3033802	475	HC-RBO 8-FE	3247968	622	M			MSDB 2,5-RZ OG	3244368	299
FBSRH 3-8	3033803	475	HCC 4-CLIP	1914823	438	MA 20X 8 BK	0814270	540	MSDB 2,5-RZ YE	3244371	299
FBSRH 4-8	3033804	475	HCC 4-F	1600001	439	MBK 5/E-TG	1415089	542	MSDBV 2,5	3249143	301
FTP 12+1	3069255	675	HCC 4-FC	1600030	439	MBK 6/E	0552024	608	MSDBV 2,5 BU	3249156	301
FTP 4+1	3069223	663	HCC 4-FE	1600069	438	MBKKB 2,5	1414064	610	MSDBV 2,5 OG	3073173	301
FTP 5+1	3069241	667	HCC 4-M	1600014	438	MBKKB 2,5 BU	1414077	610	MSDBV 2,5 YE	3073160	301
FTP 6+1	3069239	669	HCC 4-MC	1660669	439	MBKKB 2,5-DIO/O-U/L-O-UR	3003871	611	MSDBV 2,5-F	3249172	303
FTP 8+1	3069242	673	HCC 4-MC MT 0,5-1,0 BAND	1600108	439	MBKKB 2,5-BE	1414103	611	MSDBV 2,5-F BU	3249185	303
FUSE 10,3X38 10A PV	3061334	537	HCC 4-SR	3100224	438	MBKKB 2,5-DIO/O-U	2800567	611	MSDBV 2,5-M	3249198	303
FUSE 10,3X38 12A PV	3061347	537	HSH-METALL	3210910	432	MBKKB 2,5-DIO/U-O	2800570	611	MSDBV 2,5-M BU	3249208	303
FUSE 10,3X38 16A PV	3061350	537	HSR	3212031	432	MBKKB 2,5-PV	2800583	610	MSDBV 2,5-M OG	3073254	303
FUSE 10,3X38 20A PV	3061363	537	HV M10/1	3049408	463	MBKKB 2,5-PV BU	1414132	610	MSDBV 2,5-M YE	3073241	303
FUSE 10,3X38 2A PV	3061295	537	HV M10/1 M6/1-STL2	3071081	461	MPS-IH BK	0201731	478	MSDBV 2,5-NS 35	3249211	302
FUSE 10,3X38 4A PV	3061305	537	HV M10/1-AP	3049495	461	MPS-IH BU	0201689	478	MSDBV 2,5-NS 35 BU	3249224	302
FUSE 10,3X38 6A PV	3061318	537	HV M10/1-VS 2	3049466	461	MPS-IH GN	0201702	478	MSDBV 2,5-NS 35 OG	3073212	302
FUSE 10,3X38 8A PV	3061321	537	HV M10/1-VS 3	3049479	461	MPS-IH GY	0201728	478	MSDBV 2,5-NS 35 YE	3073209	302
FUSE 10,3X85 10A PV	3062770	539	HV M10/2	3049563	461	MPS-IH RD	0201676	478	MSLKG 6	1410505	609
FUSE 10,3X85 12A PV	3062771	539	HV M12/1	3049505	463	MPS-IH WH	0201663	478	MSTB-BL	1755477	442
FUSE 10,3X85 16A PV	3062772	539	HV M12/1-TP	3049602	462	MPS-IH YE	0201692	478	MSTBHK 2,5/ 2 AH	5030185	442
FUSE 10,3X85 20A PV	3062773	539	HV M12/1-VS 2	3049631	463	MPS-MT	0201744	478	MSTBHK 2,5/10-G	1765085	442
FUSE 10,3X85 25A PV	3062774	539	HV M12/1-VS 3	3049644	463	MPS-MT/ 4MM	3048577	478	MSTBHK 2,5/10-G-5,08	1765030	442
FUSE 10,3X85 2A PV	3062766	539	HV M12/2-TP	3049709	461	MPT 1,5/S	3248100	176	MSTBVK 2,5/ 2-G-5,08	1788729	444
FUSE 10,3X85 4A PV	3062767	539	HV M5/1	3049107	462	MPT 1,5/S BU	3248101	176	MSTBVK 2,5/ 2-GF-5,08	1788952	445
FUSE 10,3X85 6A PV	3062768	539	HV M5/1-AP	3049806	462	MPT 1,5/S-PE	3248110	177	MSTBVK 2,5/ 3-G-5,08	1788732	444
FUSE 10,3X85 8A PV	3062769	539	HV M5/1-VS 2	3049437	462	MPT 1,5/S/1P	3248115	348	MSTBVK 2,5/ 3-GF-5,08	1788965	445
FWP 12+1	3069307	675	HV M5/1-VS 3	3049440	462	MPT 1,5/S/1P BU	3248116	348	MSTBVK 2,5/ 4-G-5,08	1788745	444
FWP 4+1	3069271	663	HV M6/1	3049204	462	MPT 1,5/S/1P-PE	3248117	350	MSTBVK 2,5/ 4-GF-5,08	1788978	445
FWP 5+1	3069272	667	HV M6/1-AP	3049903	461	MPT 2,5	3248125	177	MSTBVK 2,5/ 5-G-5,08	1788758	444
FWP 6+1	3069284	669	HV M6/1-VS 2	3049262	461	MPT 2,5 BU	3248126	177	MSTBVK 2,5/ 5-GF-5,08	1788981	445
FWP 8+1	3069297	673	HV M6/1-VS 3	3049275	461	MPT 2,5-PE	3248130	177	MSTBVK 2,5/ 6-G-5,08	1788761	444
			HV M6/2	3049547	461	MSB 2,5	3244012	294	MSTBVK 2,5/ 6-GF-5,08	1788994	445
			HV M8/1	3049301	463	MSB 2,5 BU	3244025	294	MSTBVK 2,5/ 7-G-5,08	1788774	444
			HV M8/1 M6/1-STL	3071094	461	MSB 2,5 OG	3244038	294	MSTBVK 2,5/ 7-GF-5,08	1789003	445
			HV M8/1-AP	3049398	461	MSB 2,5 YE	3073092	294	MSTBVK 2,5/ 8-G-5,08	1788787	444
			HV M8/1-VS 2	3049369	461	MSB 2,5-F	3244041	298	MSTBVK 2,5/ 8-GF-5,08	1803015	445
			HV M8/1-VS 3	3049372	461	MSB 2,5-F BU	3244054	298	MSTBVK 2,5/ 9-G-5,08	1788790	444
			HV M8/2	3049550	461	MSB 2,5-M	3244067	298	MSTBVK 2,5/ 9-GF-5,08	1803028	445
						MSB 2,5-M BU	3244070	298	MSTBVK 2,5/10-G-5,08	1788800	444
						MSB 2,5-M OG	3244096	298	MSTBVK 2,5/10-GF-5,08	1803031	445
						MSB 2,5-M YE	3244106	298	MSTBVK 2,5/11-G-5,08	1788813	444
						MSB 2,5-NS 35	3244119	296	MSTBVK 2,5/11-GF-5,08	1803044	445
						MSB 2,5-NS 35 BU	3244122	296	MSTBVK 2,5/12-G-5,08	1788826	444
						MSB 2,5-NS 35 OG	3244135	296	MSTBVK 2,5/12-GF-5,08	1803057	445
						MSB 2,5-NS 35 YE	3073128	296	MSTBVK 2,5/13-G-5,08	1788839	444
						MSB 2,5-NS 35-PE	3244148	297	MSTBVK 2,5/13-GF-5,08	1803060	445
						MSB 2,5-PE	3244151	295	MSTBVK 2,5/14-G-5,08	1788842	444
						MSB 2,5-RZ	3244164	299	MSTBVK 2,5/14-GF-5,08	1803073	445
						MSB 2,5-RZ BU	3244177	299	MSTBVK 2,5/15-G-5,08	1788855	444
						MSB 2,5-RZ OG	3244193	299	MSTBVK 2,5/15-GF-5,08	1803086	445
						MSB 2,5-RZ YE	3244203	299	MSTBVK 2,5/16-G-5,08	1788868	444
						MSBV 2,5	3249017	300	MSTBVK 2,5/16-GF-5,08	1803099	445
						MSBV 2,5 BU	3249020	300	MT 1,5	3100305	603
						MSBV 2,5 OG	3073157	300	MT 1,5 BU	3003363	603
						MSBV 2,5 YE	3073144	300	MT 1,5-PE	3100318	606
						MSBV 2,5-F	3249059	303	MT 1,5-QUATTRO	3001679	604
						MSBV 2,5-F BU	3249046	303	MT 1,5-QUATTRO BU	3025150	604
						MSBV 2,5-M	3249062	303	MT 1,5-QUATTRO-PE	3001695	607
						MSBV 2,5-M BU	3249075	303	MT 1,5-TWIN	3001682	604
						MSBV 2,5-M OG	3073238	303	MT 1,5-TWIN BU	3025532	604
						MSBV 2,5-M YE	3073225	303	MT 1,5-TWIN-PE	3001705	607
						MSBV 2,5-NS 35	3249088	302	MTK	3101016	548
						MSBV 2,5-NS 35 BU	3249091	302	MTK BU	3101197	548
						MSBV 2,5-NS 35 OG	3073199	302	MTK-P/P	3104013	548
						MSBV 2,5-NS 35 YE	3073186	302	MTK-P/P BU	3104097	548
						MSDB 2,5	3244216	295	MTKD	3100017	549
						MSDB 2,5 BU	3244229	295	MTKD-CU/CUNI	3100059	566
						MSDB 2,5 OG	3073102	295	MTKD-E-CU-A-CU	3100091	566
						MSDB 2,5 YE	3073115	295	MTKD-FE/CUNI	3100046	566
						MSDB 2,5-F	3244232	298	MTKD-NICR/CUNI	3100075	566
						MSDB 2,5-F BU	3244245	298	MTKD-NICR/NI	3100062	566
						MSDB 2,5-M	3244258	298	MTKD-NICRS/NI/SI	5043321	566
						MSDB 2,5-M BU	3244261	298	MTKD-P/P	3100020	549
						MSDB 2,5-M OG	3244287	298	MTKD-S-CU/E-CU	3100101	566
						MSDB 2,5-M YE	3244290	298	MTTB 1,5	1414129	605
						MSDB 2,5-NS 35	3244300	297	MTTB 1,5 BU	3000926	605
						MSDB 2,5-NS 35 BU	3244313	297	MUT 2,5	3248030	80
						MSDB 2,5-NS 35 OG	3244326	297	MUT 2,5 BU	3248031	80
						KSS 4-8	0309549	640			
						KSS 4-10	0308540	640			
						KSS 5	2303543	640			
						KSS 6	0301547	640			
						KSS 8	0311540	640			
						KSS 10	0310541	640			
						KSSI 2-8	3000722	640			
						KSSI 4-8	3000735	640			
						KZMP-RV 8:1-8	3191330	578			
						KZMP-RV 8:A-H	3191327	578			
						KZMP-RVS 10:1-10	3191408	579			
						KZMP-RVS 10:A-K	3191372	579			

Type	Order No.	Page	Type	Order No.	Page	Type	Order No.	Page	Type	Order No.	Page
MUT 2,5-PE	3248032	81	PCVK 4-7,62-F	1850000	441	PP-H 1,5/S/9	3212581	412	PPC 1,5/S/ 7	3213438	392
MUT 4	3248035	81	PCVK 4-7,62-PE	1876246	441	PP-H 2,5/ 1	3209866	413	PPC 1,5/S/ 8	3213441	392
MUT 4 BU	3248036	81	PDZ/2	3040562	428	PP-H 2,5/ 1 BU	3210017	413	PPC 1,5/S/ 9	3213454	392
MUT 4-PE	3248037	81	PDZ/4	3040575	428	PP-H 2,5/ 1 GNYE	3210020	413	PPC 1,5/S/1-L	3213357	394
MZFKK 1,5	3029813	293	PH 1,5/S/10	3212824	432	PP-H 2,5/ 2	3209879	413	PPC 1,5/S/1-L BU	3213360	394
MZFKK 1,5-PV	3029826	293	PH 1,5/S/11	3212837	432	PP-H 2,5/ 3	3209882	413	PPC 1,5/S/1-L GNYE	3213373	394
MZFKKB 1,5	3005714	293	PH 1,5/S/12	3212840	432	PP-H 2,5/ 4	3209895	413	PPC 1,5/S/10	3213467	392
			PH 1,5/S/13	3212853	432	PP-H 2,5/ 5	3209905	413	PPC 1,5/S/11	3213470	392
			PH 1,5/S/14	3212866	432	PP-H 2,5/ 6	3209918	413	PPC 1,5/S/12	3213483	392
			PH 1,5/S/15	3212879	432	PP-H 2,5/ 7	3209921	413	PPC 1,5/S/13	3213496	392
			PH 1,5/S/3	3212756	432	PP-H 2,5/ 8	3209934	413	PPC 1,5/S/14	3213506	392
			PH 1,5/S/4	3212769	432	PP-H 2,5/ 9	3209947	413	PPC 1,5/S/15	3213519	392
NLS-CU 3/10 SN 1000MM	0402174	96	PH 1,5/S/5	3212772	432	PP-H 2,5/1-L	3210062	415	PPC 6-NS/1-L	3000689	397
NLS-CU 6/ 6 SN 1000MM	0402161	96	PH 1,5/S/6	3212785	432	PP-H 2,5/1-L BU	3210075	415	PPC 6/1-L	3000690	395
			PH 1,5/S/7	3212798	432	PP-H 2,5/1-L GNYE	3210088	415	PPC 6/1-L BU	3000691	395
			PH 1,5/S/8	3212808	432	PP-H 2,5/1-M	3210091	415	PPC 6/1-L GNYE	3000692	395
			PH 1,5/S/9	3212811	432	PP-H 2,5/1-M BU	3210101	415	PPC 6/10	3000702	393
			PH 2,5/ 2	3209691	433	PP-H 2,5/1-M GNYE	3210114	415	PPC 6/2	3000693	393
			PH 2,5/ 3	3209701	433	PP-H 2,5/1-R	3210127	415	PPC 6/3	3000694	393
			PH 2,5/ 4	3209714	433	PP-H 2,5/1-R BU	3210130	415	PPC 6/4	3000695	393
OTTA 2,5	0790530	613	PH 2,5/ 5	3209727	433	PP-H 2,5/1-R GNYE	3210143	415	PPC 6/5	3000697	393
OTTA 2,5-P/P	0790543	613	PH 2,5/ 6	3209730	433	PP-H 2,5/10	3209950	413	PPC 6/6	3000698	393
OTTA 2,5-PE	0790556	613	PH 2,5/ 7	3209743	433	PP-H 2,5/11	3209963	413	PPC 6/7	3000699	393
OTTA 6	0790433	614	PH 2,5/ 8	3209756	433	PP-H 2,5/12	3209976	413	PPC 6/8	3000700	393
OTTA 6-P/P	0790404	614	PH 2,5/ 9	3209507	433	PP-H 2,5/13	3209989	413	PPC 6/9	3000701	393
OTTA 6-PE	0790527	615	PH 2,5/10	3209769	433	PP-H 2,5/14	3209992	413	PPCT 6/2	3212304	373
OTTA 6-T	0790446	616	PH 2,5/11	3209772	433	PP-H 2,5/15	3210004	413	PPCT 6/3	3212305	373
OTTA 6-T-P/P	0790462	617	PH 2,5/12	3209785	433	PP-H 4/ 1	3212010	413	PR	3040559	429
OTTA 25-M5	0790488	615	PH 2,5/13	3209798	433	PP-H 4/ 1 BU	3212077	413	PR 1,5/S	3212882	429
OTTA 25-M6	0790491	615	PH 2,5/14	3209808	433	PP-H 4/ 1 GNYE	3212088	413	PR 1,5/S/2	3212895	429
OTTA 6-T/SB-P/P	3001269	617	PH 2,5/15	3209811	433	PP-H 4/ 1-L	3211948	415	PR/2	3040630	429
			PH 4/10	3000743	433	PP-H 4/ 1-L BU	3211951	415	PR/2	3040631	429
			PH 4/2	3000734	433	PP-H 4/ 1-L GNYE	3211958	415	PRV/2	3041862	429
			PH 4/3	3000736	433	PP-H 4/ 1-M	3211965	415	PRZ	3040614	429
			PH 4/4	3000737	433	PP-H 4/ 1-M BU	3211964	415	PRZ 1,5/S	3212905	429
			PH 4/5	3000738	433	PP-H 4/ 1-M GNYE	3211971	415	PS-4	3030970	478
P-CO	3036796	481	PH 4/6	3000739	433	PP-H 4/ 1-R	3211977	415	PS-4/E	3036709	478
P-CO 1N4007/L-R	3032460	481	PH 4/7	3000740	433	PP-H 4/ 1-R BU	3211980	415	PS-5	3030983	478
P-CO 1N4007/R-L	3032457	481	PH 4/8	3000741	433	PP-H 4/ 1-R GNYE	3211987	415	PS-5/2,3MM RD	3038723	478
P-DI	3036783	480	PH 4/9	3000742	433	PP-H 4/ 2	3212016	413	PS-6	3030996	478
P-FIX	3038956	481	PH 6/2	3000680	413	PP-H 4/ 3	3212022	413	PS-6/2,3MM RD	3038736	478
P-FU 5X20	3036806	483	PH 6/3	3000681	415	PP-H 4/ 4	3212029	413	PS-7,5/2,3MM RD	3038749	639
P-FU 5X20 LA 250	3036835	483	PH 6/4	3000682	415	PP-H 4/ 5	3212035	413	PS-8	3031005	478
P-FU 5X20 LED 24	3036819	483	PH 6/5	3000683	415	PP-H 4/ 6	3212041	413	PS-8/2,3MM RD	3048564	478
P-FU 5X20 LED 24-5	3209248	195	PIK 4-L	2714048	587	PP-H 4/ 7	3212048	413	PS-IH BK	0311634	639
P-FU 5X20 LED 250-5	3209264	195	PIK 4-L/L	2714035	587	PP-H 4/ 8	3212054	413	PS-IH BU	0311582	639
P-FU 5X20 LED 60	3036822	483	PIK 4-L/LB	3000117	589	PP-H 4/ 9	3212061	413	PS-IH GN	0311605	639
P-FU 5X20 LED 60-5	3209251	195	PIK 4-PE/L/L	2714022	587	PP-H 4/10	3212067	413	PS-IH GY	0311621	639
P-FU 5X20-5	3209235	195	PIK 4-PE/L/N	2714019	587	PP-H 4/11	3212074	413	PS-IH RD	0311579	639
P-FU 6,3X32	3046498	483	PIK 4-PE/L/NT	2714006	586	PP-H 4/12	3212080	413	PS-IH VT	0311618	639
P-FU 6,3X32 LA 250	3046524	483	PIK 4-PE/L/NTB	2714158	588	PP-H 4/13	3212087	413	PS-IH WH	0311566	639
P-FU 6,3X32 LED 24	3046508	483	PIK 6-L/L	2714284	591	PP-H 4/14	3212093	413	PS-IH YE	0311595	639
P-FU 6,3X32 LED 60	3046511	483	PIK 6-PE/L/L	2714271	591	PP-H 4/15	3212100	413	PS-MT	0311647	639
PAI-4	3030925	479	PIK 6-PE/L/N	2714297	591	PP-H 6/ 1	3061541	413	PS-UK 2,5 B/E	3001132	639
PAI-4-FIX BK	3032774	479	PIK 6-PE/L/NT	2714268	590	PP-H 6/ 1 BU	3061554	413	PS-UK 2,5 B/Z-5	3001226	639
PAI-4-FIX BN	3032787	479	PP-H 1,5/S/1	3212484	412	PP-H 6/ 1 GNYE	3061567	413	PS-UK 2,5 B/Z-6	3001239	639
PAI-4-FIX BU	3032729	479	PP-H 1,5/S/1 BU	3212497	412	PP-H 6/ 1-L	3061664	415	PS-UKK 3	3000638	639
PAI-4-FIX GN	3032758	479	PP-H 1,5/S/1 GNYE	3212507	412	PP-H 6/ 1-L BU	3061677	415	PS-UKK 5	3000625	639
PAI-4-FIX GY	3032790	479	PP-H 1,5/S/1-L	3212659	414	PP-H 6/ 1-L GNYE	3061680	415	PS-UKK/E	3000641	639
PAI-4-FIX OG	3034455	479	PP-H 1,5/S/1-L BU	3212662	414	PP-H 6/ 1-M	3061693	415	PSB 3/10/4	0601292	638
PAI-4-FIX RD	3032732	479	PP-H 1,5/S/1-L GNYE	3212675	414	PP-H 6/ 1-M BU	3061703	415	PSB 4/7/6	0303299	638
PAI-4-FIX VT	3032761	479	PP-H 1,5/S/1-M	3212688	414	PP-H 6/ 1-M GNYE	3061716	415	PSB 6/5/6	0205290	638
PAI-4-FIX YE	3032745	479	PP-H 1,5/S/1-M BU	3212691	414	PP-H 6/ 1-R	3061729	415	PSBJ 3,5/18/6 BK	0311388	636
PAI-4-FIX-5/6 BK	3035980	479	PP-H 1,5/S/1-M GNYE	3212701	414	PP-H 6/ 1-R BU	3061732	415	PSBJ 3,5/18/6 BU	0311333	636
PAI-4-FIX-5/6 BN	3035981	479	PP-H 1,5/S/1-R	3212714	414	PP-H 6/ 1-R GNYE	3061745	415	PSBJ 3,5/18/6 FARBLOS	0311391	636
PAI-4-FIX-5/6 BU	3035975	479	PP-H 1,5/S/1-R BU	3212727	414	PP-H 6/ 2	3061570	413	PSBJ 3,5/18/6 GN	0311359	636
PAI-4-FIX-5/6 GN	3035978	479	PP-H 1,5/S/1-R GNYE	3212730	414	PP-H 6/ 3	3061583	413	PSBJ 3,5/18/6 GY	0311375	636
PAI-4-FIX-5/6 GY	3035982	479	PP-H 1,5/S/10	3212594	412	PP-H 6/ 4	3061596	413	PSBJ 3,5/18/6 RD	0311320	636
PAI-4-FIX-5/6 OG	3035974	479	PP-H 1,5/S/11	3212604	412	PP-H 6/ 5	3061606	413	PSBJ 3,5/18/6 VT	0311362	636
PAI-4-FIX-5/6 RD	3035976	479	PP-H 1,5/S/12	3212617	412	PP-H 6/ 6	3061619	413	PSBJ 3,5/18/6 WH	0311317	636
PAI-4-FIX-5/6 VT	3035979	479	PP-H 1,5/S/13	3212620	412	PP-H 6/ 7	3061622	413	PSBJ 3,5/18/6 YE	0311346	636
PAI-4-FIX-5/6 YE	3035977	479	PP-H 1,5/S/14	3212633	412	PP-H 6/ 8	3061635	413	PSBJ 3/13/4	0201304	636
PAI-4-N GY	3032871	479	PP-H 1,5/S/15	3212646	412	PP-H 6/ 9	3061648	413	PSBJ 3/50/6 GY	3048098	637
PAI-ST 35/1000MM	3029994	207	PP-H 1,5/S/2	3212510	412	PP-H 6/10	3061651	413	PSBJ 3/52/6 GY	3048085	637
PC	3040588	431	PP-H 1,5/S/3	3212523	412	PPC 1,5/S-NS/1-L	3213700	396	PSBJ 4/15/6 BK	0303406	636
PC-CT 6/2	3212308	373	PP-H 1,5/S/4	3212536	412	PPC 1,5/S/2	3213386	392	PSBJ 4/15/6 BU	0303354	636
PC-CT 6/3	3212309	373	PP-H 1,5/S/5	3212549	412	PPC 1,5/S/ 3	3213399	392	PSBJ 4/15/6 FARBLOS	0303419	636
PC-CT/2	3032855	73	PP-H 1,5/S/6	3212552	412	PPC 1,5/S/ 4	3213409	392	PSBJ 4/15/6 GN	0303370	636
PC-CT/3	3032868	73	PP-H 1,5/S/7	3212565	412	PPC 1,5/S/ 5	3213412	392	PSBJ 4/15/6 GY	0303396	636
PCVK 4-7,62	1849998	441	PP-H 1,5/S/8	3212578	412	PPC 1,5/S/ 6	3213425	392	PSBJ 4/15/6 RD	0303325	636

Alphabetical

Type	Order No.	Page	Type	Order No.	Page	Type	Order No.	Page	Type	Order No.	Page
PSBJ 4/15/6 VT	0303383	636	PT 2,5-4L/1P	3012300	371	PT 6-QUATTRO/2P-PE	3061842	357	PTPOWER 95-PE	3260106	115
PSBJ 4/15/6 WH	0303312	636	PT 2,5-4L/1P-FS	3012302	371	PT 6-TWIN	3211929	117	PTS 1,5/S	3214547	168
PSBJ 4/15/6 YE	0303367	636	PT 2,5-4L/2P	3012310	371	PT 6-TWIN BU	3211485	117	PTS 1,5/S BU	3214550	168
PSBJ 4/41/8 GY	3206186	637	PT 2,5-4L/2P-FS	3012312	371	PT 6-TWIN-PE	3211498	121	PTS 1,5/S-PE	3214563	172
PSBJ 4/51/8 GY	3206173	637	PT 2,5-DIO/L-R	3210224	160	PT 6/1P	3061758	349	PTS 1,5/S-QUATTRO	3214615	170
PSBJ 6-T OH	3070320	556	PT 2,5-DIO/R-L	3210237	160	PT 6/1P BU	3061761	349	PTS 1,5/S-QUATTRO BU	3214631	170
PSBJ 6-T WH	3070324	556	PT 2,5-MT	3210156	150	PT 6/1P-PE	3061774	351	PTS 1,5/S-QUATTRO-PE	3214644	174
PSBJ-GSK/S BK	0305381	553	PT 2,5-MT BU	3211650	150	PTB 2,5-PE/L/L	3210547	197	PTS 1,5/S-TWIN	3214589	169
PSBJ-GSK/S BU	0305336	553	PT 2,5-MTB	3210157	152	PTB 2,5-PE/L/MT	3210549	196	PTS 1,5/S-TWIN BU	3214592	169
PSBJ-GSK/S FARBLOS	0305394	553	PT 2,5-MTB BU	3210163	152	PTB 2,5-PE/L/NTG	3210545	195	PTS 1,5/S-TWIN-PE	3214602	173
PSBJ-GSK/S GN	0305352	553	PT 2,5-PE	3209536	113	PTB 2,5-PE/L/TG	3210539	195	PTS 1,5/S-TWIN/1P	3214709	367
PSBJ-GSK/S GY	0305378	553	PT 2,5-PE/3L/2P	3012316	371	PTI 2,5	3213968	180	PTS 1,5/S-TWIN/1P BU	3214712	367
PSBJ-GSK/S RD	0305323	553	PT 2,5-PE/L/L	3210541	137	PTI 2,5 BU	3213969	180	PTS 1,5/S-TWIN/1P-PE	3214725	369
PSBJ-GSK/S VT	0305365	553	PT 2,5-PE/L/N	3210538	137	PTI 2,5-L	3213951	189	PTS 1,5/S/1P	3214453	366
PSBJ-GSK/S WH	0305310	553	PT 2,5-QUATTRO	3209578	125	PTI 2,5-L/L	3213953	189	PTS 1,5/S/1P BU	3214466	366
PSBJ-GSK/S YE	0305349	553	PT 2,5-QUATTRO BU	3209581	125	PTI 2,5-L/LT	3213948	187	PTS 1,5/S/1P-PE	3214479	368
PSBJ-URTK 6 BK	3026447	637	PT 2,5-QUATTRO-DIO/L-R	3210266	161	PTI 2,5-L/LTB	3213958	153	PTS 2,5	3211799	169
PSBJ-URTK 6 BN	3026971	637	PT 2,5-QUATTRO-DIO/R-L	3210279	161	PTI 2,5-L/N	3213954	189	PTS 2,5 BU	3211812	169
PSBJ-URTK 6 BU	3026434	637	PT 2,5-QUATTRO-MT	3210172	151	PTI 2,5-L/NT	3213947	187	PTS 2,5-PE	3211867	173
PSBJ-URTK 6 FARBLOS	3026450	637	PT 2,5-QUATTRO-MT BU	3211676	151	PTI 2,5-L/NTB	3213956	191	PTS 2,5-QUATTRO	3211993	171
PSBJ-URTK 6 GN	3026418	637	PT 2,5-QUATTRO-MTB	3210184	153	PTI 2,5-L/TG	3213961	149	PTS 2,5-QUATTRO BU	3212002	171
PSBJ-URTK 6 GY	3026612	637	PT 2,5-QUATTRO-MTB BU	3210191	153	PTI 2,5-N	3213952	189	PTS 2,5-QUATTRO-PE	3212011	175
PSBJ-URTK 6 RD	3026719	637	PT 2,5-QUATTRO-PE	3209594	127	PTI 2,5-PE	3213962	182	PTS 2,5-TWIN	3211896	169
PSBJ-URTK 6 VT	3026421	637	PT 2,5-QUATTRO-TG	3210208	147	PTI 2,5-PE/L/L	3213949	188	PTS 2,5-TWIN BU	3211906	169
PSBJ-URTK 6 YE	3026405	637	PT 2,5-QUATTRO-TGB	3210194	149	PTI 2,5-PE/L/LB	3213959	192	PTS 2,5-TWIN-PE	3211935	173
PSBJ-URTK/S BK	0311728	637	PT 2,5-QUATTRO/2P	3209662	355	PTI 2,5-PE/L/LTB	3213957	153	PTTB 1,5/S	3208511	128
PSBJ-URTK/S BU	0311757	637	PT 2,5-QUATTRO/2P BU	3209675	355	PTI 2,5-PE/L/N	3213950	188	PTTB 1,5/S BU	3208524	128
PSBJ-URTK/S GN	0311760	637	PT 2,5-QUATTRO/2P-PE	3209688	357	PTI 2,5-PE/L/NT	3213946	186	PTTB 1,5/S-L/N	3208544	128
PSBJ-URTK/S RD	0311744	637	PT 2,5-TG	3210185	146	PTI 2,5-PE/L/NTB	3213955	190	PTTB 1,5/S-PE	3208537	130
PSBJ-URTK/S VT	0311773	637	PT 2,5-TGB	3210192	148	PTI 2,5-PE/L/TG	3213960	149	PTTB 1,5/S-PE/L	3208553	128
PSBJ-URTK/S YE	0311731	637	PT 2,5-TWIN	3209549	117	PTI 4	3213970	181	PTTB 1,5/S-PE/N	3208566	128
PSH 3-6 500MM	3040591	430	PT 2,5-TWIN BU	3209552	117	PTI 4 BU	3213971	181	PTTB 1,5/S-PV	3208540	128
PSH 5-10	3040601	430	PT 2,5-TWIN-DIO/L-R	3210240	161	PTI 4-PE	3213964	183	PTTB 1,5/S/2P	3212439	358
PT 1,5/S	3208100	104	PT 2,5-TWIN-DIO/R-L	3210253	161	PTI 6	3213972	181	PTTB 1,5/S/2P BU	3212442	358
PT 1,5/S BU	3208126	104	PT 2,5-TWIN-MT	3210169	151	PTI 6 BU	3213973	181	PTTB 1,5/S/2P-PE	3212455	359
PT 1,5/S-3L	3213713	134	PT 2,5-TWIN-MT BU	3211663	151	PTI 6-PE	3213966	183	PTTB 1,5/S/2P-PV	3212468	358
PT 1,5/S-3L BU	3213726	134	PT 2,5-TWIN-MTB	3210170	153	PTIO 1,5/S/3	3244410	138	PTTB 1,5/S/4P	3213865	364
PT 1,5/S-3PE	3213739	135	PT 2,5-TWIN-MTB BU	3210177	153	PTIO 1,5/S/3-LED 24 GN	3244436	138	PTTB 1,5/S/4P BU	3213878	364
PT 1,5/S-3PV	3213742	134	PT 2,5-TWIN-PE	3209565	121	PTIO 1,5/S/3-LED 24 RD	3244423	138	PTTB 1,5/S/4P-PE	3213881	365
PT 1,5/S-PE	3208139	112	PT 2,5-TWIN-TG	3210198	147	PTIO 1,5/S/3-PE	3244449	139	PTTB 1,5/S/4P-PV	3213852	364
PT 1,5/S-PE/L/L	3213768	135	PT 2,5-TWIN-TGB	3210193	149	PTIO 1,5/S/4	3244452	140	PTTB 2,5	3210567	129
PT 1,5/S-PE/L/N	3213755	135	PT 2,5-TWIN/1P	3209633	353	PTIO 1,5/S/4-LED 24 GN	3244520	140	PTTB 2,5 BU	3210570	129
PT 1,5/S-QUATTRO	3208197	124	PT 2,5-TWIN/1P BU	3209646	353	PTIO 1,5/S/4-LED 24 RD	3244517	140	PTTB 2,5-2BE	3211480	163
PT 1,5/S-QUATTRO BU	3208208	124	PT 2,5-TWIN/1P-PE	3209659	353	PTIO 1,5/S/4-PE	3244465	141	PTTB 2,5-2DIO/O-UL/O-UR	3211443	163
PT 1,5/S-QUATTRO-PE	3208333	126	PT 2,5/1P	3210033	349	PTIO-IN 2,5/3 OG	3244559	139	PTTB 2,5-2DIO/O-UL/UR-UL	3211430	163
PT 1,5/S-QUATTRO-U	3208359	124	PT 2,5/1P BU	3210046	349	PTIO-IN 2,5/4-PE OG	3244481	141	PTTB 2,5-DIO/O-U	3210923	162
PT 1,5/S-QUATTRO/2P	3212390	354	PT 4	3210059	351	PTME 4	3212139	155	PTTB 2,5-DIO/U-O	3210936	162
PT 1,5/S-QUATTRO/2P BU	3212400	354	PT 4 BU	3211757	105	PTME 6	3212170	157	PTTB 2,5-DIO/UL-UR	3211427	163
PT 1,5/S-QUATTRO/2P-PE	3212413	356	PT 4 DIO	3211760	105	PTME 6 HV	3035696	159	PTTB 2,5-L/N	3210994	129
PT 1,5/S-TWIN	3208155	116	PT 4-DIO 1N 5408/L-R	3212112	160	PTME 6 HV BU	3035695	159	PTTB 2,5-LA 230	3211472	163
PT 1,5/S-TWIN BU	3208168	116	PT 4-DIO 1N 5408/R-L	3212125	160	PTME 6-BE	3035687	159	PTTB 2,5-LA 24 RD	3211456	163
PT 1,5/S-TWIN-PE	3208171	120	PT 4-FSI/F	3208943	143	PTME 6-CT/1P	3212300	373	PTTB 2,5-LA 60 RD	3211469	163
PT 1,5/S-TWIN/1P	3212358	352	PT 4-FSI/F-LED 12	3208951	143	PTME 6-DIO/L-R HV	3035697	159	PTTB 2,5-PE	3210596	131
PT 1,5/S-TWIN/1P BU	3212361	352	PT 4-FSI/F-LED 24	3208964	143	PTME 6-DIO/R-L HV	3035698	159	PTTB 2,5-PE/L	3210978	129
PT 1,5/S-TWIN/1P-PE	3212374	353	PT 4-HESI (5X20)	3211861	142	PTME 6/1P	3212306	375	PTTB 2,5-PE/N	3210981	129
PT 1,5/S/1P	3208582	348	PT 4-HESI 250 (5X20)	3211907	142	PTMED 4	3212141	155	PTTB 2,5-PV	3210583	129
PT 1,5/S/1P BU	3208595	348	PT 4-HESI 24 (5X20)	3211903	142	PTMED 4-PE	3212154	155	PTTB 2,5-R499/O-U	3210925	163
PT 1,5/S/1P-PE	3212332	350	PT 4-HESI 60 (5X20)	3207908	142	PTMED 6	3212183	157	PTTB 2,5/2P	3210871	359
PT 1,5/S/2P	3213784	360	PT 4-MT	3211933	151	PTMED 6-CT/1P	3212301	373	PTTB 2,5/2P BU	3210884	359
PT 1,5/S/2P BU	3213797	360	PT 4-PE	3211766	113	PTMED 6-CT/1P-PE	3212302	373	PTTB 2,5/2P-PE	3210897	359
PT 1,5/S/2P-PE	3213810	362	PT 4-QUATTRO	3211797	125	PTMED 6-PE	3212196	157	PTTB 2,5/2P-PV	3210907	359
PT 10	3212120	106	PT 4-QUATTRO BU	3211802	125	PTN 2,5	3213963	184	PTTB 4	3211786	129
PT 10 BU	3212123	106	PT 4-QUATTRO-DIO 1N 5408/L-R	3211919	161	PTN 4	3213965	185	PTTB 4 BU	3211793	129
PT 10-PE	3212131	114	PT 4-QUATTRO-DIO 1N 5408/R-L	3211921	161	PTN 6	3213967	185	PTTB 4-L 1000V	3062744	129
PT 10-TWIN	3208746	118	PT 4-QUATTRO-PE	3211809	127	PTPOWER 95	3260100	109	PTTB 4-PE	3211854	131
PT 10-TWIN BU	3208747	118	PT 4-TG	3211922	147	PTPOWER 95 BU	3260103	109	PTTB 4-PV	3211825	129
PT 10-TWIN-PE	3208745	122	PT 4-TWIN	3211771	117	PTPOWER 95 P	3260163	109	PTTB 1,5/S	3214657	171
PT 16 N	3212138	107	PT 4-TWIN BU	3211775	117	PTPOWER 95 P BU	3260166	109	PTTB 1,5/S BU	3214660	171
PT 16 N BU	3212142	107	PT 4-TWIN-PE	3211780	121	PTPOWER 95-3L	3260109	109	PTTB 1,5/S-PE	3214673	175
PT 16 N-PE	3212147	115	PT 4/1P	3211937	349	PTPOWER 95-3L-F	3260121	111	PTTB 1,5/S-PV	3214686	171
PT 16-TWIN N	3208760	119	PT 4/1P BU	3212007	349	PTPOWER 95-3L/FE	3260115	109	PTTB 1,5/S/2P	3214495	367
PT 16-TWIN N BU	3208773	119	PT 4/1P-PE	3211942	351	PTPOWER 95-3L/FE-F	3260127	111	PTTB 1,5/S/2P BU	3214505	367
PT 16-TWIN N-PE	3208786	123	PT 6	3211813	105	PTPOWER 95-3L/N	3260112	109	PTTB 1,5/S/2P-PE	3214518	369
PT 2,5	3209510	105	PT 6 BU	3211819	105	PTPOWER 95-3L/N-F	3260124	111	PTTB 1,5/S/2P-PV	3214521	367
PT 2,5 BU	3209523	105	PT 6-PE	3211822	113	PTPOWER 95-3L/N/FE	3260118	109	PTTB 2,5	3209604	132
PT 2,5-3L	3210499	136	PT 6-QUATTRO	3212934	125	PTPOWER 95-3L/N/FE-F	3260130	111	PTTB 2,5 BU	3209617	132
PT 2,5-3L BU	3210509	136	PT 6-QUATTRO BU	3212947	125	PTPOWER 95-F	3260133	110	PTTB 2,5-PE	3209620	133
PT 2,5-3PE	3210525	137	PT 6-QUATTRO-PE	3212950	127	PTPOWER 95-F BU	3260136	110	PTTB 2,5-PV	3210211	133
PT 2,5-3PV	3210512	136	PT 6-QUATTRO/2P	3061826	355	PTPOWER 95-FE	3260139	109			

Type	Order No.	Page	Type	Order No.	Page	Type	Order No.	Page	Type	Order No.	Page
PTU 16/14X2,5 GY	3214016	166	QTCS 1,5-TWIN BU	3206351	325	RBO 12-3L/FE	3076140	623	RS20-US-S0576-0202-014H-001	3069720	686
PTU 2,5-TWIN	3209515	164	QTCS 1,5-TWIN-PE	3206364	327	RBO 12-3L/FE-HC	3076141	625	RS20-US-S0720-0102-014H-001	3069722	686
PTU 2,5-TWIN BU	3209516	164	QTCS 2,5	3206500	324	RBO 12-3L/N	3076264	623	RSC 4	3058127	626
PTU 2,5-TWIN-PE	3209517	165	QTCS 2,5 BU	3206513	324	RBO 12-3L/N-HC	3076109	625	RSC 4-F	3058130	627
PTU 4-TWIN	3211859	165	QTCS 2,5-PE	3206526	326	RBO 12-3L/N/FE	3076303	623	RSC 4-F/12	3059207	627
PTU 4-TWIN BU	3211860	165	QTCS 2,5-TWIN	3050332	325	RBO 12-3L/N/FE-HC	3076183	625	RSC 4-F/4	3059171	627
PTU 4-TWIN-PE	3211862	165	QTCS 2,5-TWIN BU	3050345	325	RBO 12-FE	3244628	623	RSC 4-F/6	3059184	627
PVB 2	0870023	570	QTCS 2,5-TWIN-PE	3050358	327	RBO 12-FE-HC	3247988	625	RSC 4-F/8	3059197	627
PVB 3	0870036	570	QTCU 1,5	3050015	320	RBO 12-HC	3247986	625	RSC 5	3058143	627
PVB 5	0870052	570	QTCU 1,5 BU	3050028	320	RBO 12-HC BU	3247987	625	RSC 5-F	3058156	627
PVB10	0870120	570	QTCU 1,5-PE	3050031	322	RBO 12-VS 2	3244669	623	RSC 5-F/12	3059249	627
PZ 1,5/S/2	3212918	428	QTCU 1,5-TWIN	3050044	321	RBO 12-VS 3	3244672	623	RSC 5-F/4	3059210	627
PZ/2	3040627	428	QTCU 1,5-TWIN BU	3050057	321	RBO 16	3244630	623	RSC 5-F/6	3059223	627
PZ/4	3040643	428	QTCU 1,5-TWIN-PE	3050060	323	RBO 16 BU	3244632	623	RSC 5-F/8	3059236	627
			QTCU 2,5	3206539	320	RBO 16-3L	3076235	623	RSC 5-T	3058172	629
			QTCU 2,5 BU	3206542	320	RBO 16-3L-HC	3076073	625	RSC 5-T-F	3058334	629
			QTCU 2,5-PE	3206555	322	RBO 16-3L/FE	3076153	623	RSC 6	3075870	628
			QTCU 2,5-TWIN	3050303	321	RBO 16-3L/FE-HC	3076154	625	RSC 6-F	3075919	629
			QTCU 2,5-TWIN BU	3050316	321	RBO 16-3L/N	3076277	623	RT 3	3049013	452
			QTCU 2,5-TWIN-PE	3050329	323	RBO 16-3L/N-HC	3076112	625	RT 3 BU	3049110	452
Q											
QP 1,5/1	3051108	424	QTTTCB 1,5	3205116	312	RBO 16-3L/N/FE	3076316	623	RT 3-PE	3049411	454
QP 1,5/1 BU	3051250	424	QTTTCB 1,5 BU	3205129	312	RBO 16-3L/N/FE-HC	3076196	625	RT 5	3049026	453
QP 1,5/1 GNYE	3051263	424	QTTTCB 1,5-DIO/O-U	3206241	313	RBO 16-FE	3244631	623	RT 5 BU	3049123	453
QP 1,5/1-L	3051014	425	QTTTCB 1,5-PE	3205132	313	RBO 16-FE-HC	3247991	625	RT 5-PE	3049424	455
QP 1,5/1-L BU	3051027	425	QTTTCB 1,5-PV	3205153	313	RBO 16-HC	3247989	625	RT 5-T	3049039	453
QP 1,5/1-L GNYE	3051030	425	QTTTCB 1,5/2P	3050196	391	RBO 16-HC BU	3247990	625	RT 8	3049042	453
QP 1,5/1-M	3051043	425	QTTTCB 1,5/2P BU	3050206	391	RBO 16-VS 2	3244685	623	RT 8 BU	3049148	453
QP 1,5/1-M BU	3051056	425	QTTTCB 1,5/2P-F	3061185	437	RBO 16-VS 3	3244698	623	RTO 3	3049518	456
QP 1,5/1-M GNYE	3051069	425	QTTTCB 1,5/2P-PE	3050219	391	RBO 5	3058059	619	RTO 3 BU	3049660	456
QP 1,5/1-R	3051072	425	QTTTCB 1,5/2P-PV	3206377	391	RBO 5-F	3058062	619	RTO 3-PE	3049615	458
QP 1,5/1-R BU	3051085	425	QTTTCBS 1,5	3050222	325	RBO 5-F/12	3059252	619	RTO 3-PE-TC	3049958	458
QP 1,5/1-R GNYE	3051098	425	QTTTCBS 1,5 BU	3050235	325	RBO 5-F/4	3058237	619	RTO 3-TC	3049945	456
QP 1,5/2	3051111	424	QTTTCBS 1,5-PE	3050248	327	RBO 5-F/6	3058240	619	RTO 3-TC BU	3049835	456
QP 1,5/3	3051124	424	QTTTCBS 1,5-PV	3206380	325	RBO 5-F/8	3058253	619	RTO 5	3049521	457
QP 1,5/4	3051137	424	QTTTCBU 1,5	3050264	321	RBO 5-T	3058114	620	RTO 5 BU	3049767	457
QP 1,5/5	3051140	424	QTTTCBU 1,5 BU	3050280	321	RBO 5-T-F	3058169	620	RTO 5-PE	3049628	459
QP 1,5/6	3051153	424	QTTTCBU 1,5-PE	3050277	323	RBO 6	3075896	621	RTO 5-PE-TC	3049974	459
QP 1,5/7	3051166	424	QTTTCBU 1,5-PV	3050361	321	RBO 6-F	3075935	621	RTO 5-T	3049233	457
QP 1,5/8	3051179	424				RBO 8	3213137	622	RTO 5-T-TC	3049990	457
QP 1,5/9	3051182	424				RBO 8 BU	3213136	622	RTO 5-TC	3049961	457
QP 1,5/10	3051195	424				RBO 8-3L	3076206	622	RTO 5-TC BU	3049851	457
QP 1,5/11	3051205	424				RBO 8-3L/FE	3076044	624	RTO 8	3049343	457
QP 1,5/12	3051218	424				RBO 8-3L/FE-HC	3076124	622	RTO 8 BU	3049864	457
QP 1,5/13	3051221	424				RBO 8-3L/FE-HC	3076125	624	RTO 8-TC	3050002	457
			R								
QP 1,5/14	3051234	424	RB 35-16	3032169	29	RBO 8-3L/N	3076248	622	RTO 8-TC BU	3049929	457
QP 1,5/15	3051247	424	RB ST (2,5/4)-1,5	3038943	205	RBO 8-3L/N-HC	3076086	624	RV 8-PV-TP(2,4X0,8)L	3191039	578
QTC 1,5	3205019	308	RB ST (2,5/4)-1,5/S	3214356	104	RBO 8-3L/N/FE	3076280	622	RV 8-SPSA	3193011	241
QTC 1,5 BU	3205022	308	RB ST 10-(2,5/4)	3030873	106	RBO 8-3L/N/FE-HC	3076167	624	RV 8-TP(2,4X0,8)L	3191013	578
QTC 1,5-MT	3205103	318	RB ST 16-(2,5/4)	3030886	107	RBO 8-FE	3213139	622	RV 8-TP(2,4X0,8)Q	3191217	578
QTC 1,5-PE	3205035	310	RB ST 35-(2,5/4)	3030899	207	RBO 8-FE-HC	3247975	624	RVS 10-TP(2,4X0,8)L	3192038	579
QTC 1,5-QUATTRO	3205077	309	RB ST 6-(2,5/4)	3030860	117	RBO 8-HC	3247973	624			
QTC 1,5-QUATTRO BU	3205080	309	RB ST 6-1,5/S	3213250	105	RBO 8-HC BU	3247974	624			
QTC 1,5-QUATTRO-PE	3205093	311	RB UT 6-(2,5/4)	3047251	27	RBO 8-VS 2	3213179	622			
QTC 1,5-TG	3205145	316	RB UT 6-ST(2,5/4)	3047264	27	RBO 8-VS 3	3213182	622			
QTC 1,5-TWIN	3205048	309	RB UT 10-(2,5/4)	3047060	27	RS	2775126	565			
QTC 1,5-TWIN BU	3205051	309	RB UT 10-ST(2,5/4)	3047086	27	RS20-US-S0004-0204-014H-001	3069700	677	S		
QTC 1,5-TWIN-MT	3050407	319	RB UT 16-(2,5/4)	3047073	28	RS20-US-S0007-0307-014H-001	3069701	678	S	0308359	555
QTC 1,5-TWIN-PE	3205064	311	RB UT 16-ST(2,5/4)	3047099	28	RS20-US-S0023-0203-014H-001	3069702	678	S 2 A/380 V	0913016	540
QTC 1,5-TWIN-TG	3050413	317	RB UT 35-(2,5/4)	3047277	29	RS20-US-S0038-0504-014H-001	3069703	679	S 4 A/380 V	0913029	540
QTC 1,5/1P	3050073	390	RB UT 35-ST(2,5/4)	3047280	29	RS20-US-S0048-0304-014H-001	3069704	679	S 6 A/380 V	0913032	540
QTC 1,5/1P BU	3050086	390	RBO 10	3244614	623	RS20-US-S0176-0102-014H-001	3069705	679	S 10 A/380 V	0913045	540
QTC 1,5/1P-PE	3050099	391	RBO 10 BU	3244616	623	RS20-US-S0177-0205-014H-001	3069726	680	S 16 A/380 V	0913058	540
QTC 1,5/1P-F	3061211	437	RBO 10-3L	3076219	623	RS20-US-S0200-0102-014H-001	3069706	680	S 20 A/380 V	0913061	540
QTC 2,5	3206416	308	RBO 10-3L-HC	3076057	625	RS20-US-S0201-0102-014H-001	3069707	681	S 25 A/380 V	0913074	540
QTC 2,5 BU	3206429	308	RBO 10-3L/FE	3076137	623	RS20-US-S0202-0202-014H-001	3069708	681	S 35 A/380 V	0913087	540
QTC 2,5 HESILED 60 (5X20)	3050390	314	RBO 10-3L/FE-HC	3076138	625	RS20-US-S0217-0202-014H-001	3069709	681	S 50 A/380 V	0913090	540
QTC 2,5-HEDI	3206678	315	RBO 10-3L/N	3076251	623	RS20-US-S0210-0103-014H-001	3069710	682	S 63 A/380 V	0913100	540
QTC 2,5-HESI (5X20)	3050293	314	RBO 10-3L/N-HC	3076099	625	RS20-US-S0211-0203-014H-001	3069711	682	S-FS (2,8X0,8)	3191699	572
QTC 2,5-HESILA 250 (5X20)	3050387	314	RBO 10-3L/N/FE	3076293	623	RS20-US-S0212-0303-014H-001	3069712	683	S-II-2 A/500 V	0913605	541
QTC 2,5-HESILED 24 (5X20)	3050374	314	RBO 10-3L/N/FE-HC	3076170	625	RS20-US-S0213-0403-014H-001	3069713	683	S-II-4 A/500 V	0913618	541
QTC 2,5-MT	3206487	319	RBO 10-FE	3244615	623	RS20-US-S0214-0103-014H-001	3069723	683	S-II-6 A/500 V	0913621	541
QTC 2,5-PE	3206432	310	RBO 10-FE-HC	3247978	625	RS20-US-S0215-0203-014H-001	3069724	684	S-II-10 A/500 V	0913634	541
QTC 2,5-TG	3206490	317	RBO 10-HC	3247976	625	RS20-US-S0220-0102-014H-001	3069714	684	S-II-16 A/500 V	0913647	541
QTC 2,5-TWIN	3206445	309	RBO 10-HC BU	3247977	625	RS20-US-S0221-0202-014H-001	3069715	685	S-II-20 A/500 V	0913650	541
QTC 2,5-TWIN BU	3206461	309	RBO 10-VS 2	3244643	623	RS20-US-S0240-0103-014H-001	3069717	687	S-II-25 A/500 V	0913663	541
QTC 2,5-TWIN-PE	3206474	311	RBO 10-VS 3	3244656	623	RS20-US-S0241-0204-014H-001	3069716	687	S-ME 4	3035758	69
QTCS 1,5	3050138	324	RBO 12	3244627	623	RS20-US-S0250-0303-014H-001	3069718	687	S-ME 6	3034439	75
QTCS 1,5 BU	3050141	324	RBO 12 BU	3244629	623	RS20-US-S0251-0404-014H-001	3069721	688	S-MT	3247954	480
QTCS 1,5-PE	3050154	326	RBO 12-3L	3076222	623	RS20-US-S0530-0102-014H-001	3069725	685	S-OTTA 6-T	0311199	616
QTCS 1,5-TWIN	3206348	325	RBO 12-3L-HC	3076060	625	RS20-US-S0575-0102-014H-001	3069719	685	S-		

Alphabetical

Type	Order No.	Page	Type	Order No.	Page	Type	Order No.	Page	Type	Order No.	Page
S-URTK/SP	0311155	77	SC 4-RZ/14	3043352	402	SP 2,5/11	3040355	416	SPB 2,5/13	3040229	418
S-UT 6-T-HV	3070150	76	SC 4-RZ/15	3043365	402	SP 2,5/12	3040368	416	SPB 2,5/14	3040232	418
SAD-VKK 4	1002049	572	SC 4/1-L	3042599	399	SP 2,5/13	3040371	416	SPB 2,5/15	3040245	418
SB 2-8-T	3026366	77	SC 4/1-L-BU	3042609	399	SP 2,5/14	3040384	416	SPDB 2,5/1	3040407	419
SB 3-8-T	3026492	77	SC 4/1-L-GNYE	3042612	399	SP 2,5/15	3040397	416	SPDB 2,5/1 BU	3040737	419
SB 4-8-T	3026379	77	SC 4/2	3042450	398	SP 4/1	3042887	417	SPDB 2,5/1 GNYE	3040740	419
SB 10-8-T	3026382	77	SC 4/3	3042463	398	SP 4/1-L	3042751	421	SPDB 2,5/1-L	3043190	423
SB 10-8-T SO	3026395	77	SC 4/4	3042476	398	SP 4/1-L-BU	3042764	421	SPDB 2,5/1-L-BU	3043200	423
SB 2- 8/13	0202235	608	SC 4/5	3042489	398	SP 4/1-L-GNYE	3042777	421	SPDB 2,5/1-L-GNYE	3043213	423
SB 2- 8/13 N	0200062	494	SC 4/6	3042492	398	SP 4/1-M	3042780	421	SPDB 2,5/1-M	3043226	423
SB 2-RTK/S	0311236	555	SC 4/7	3042502	398	SP 4/1-M-BU	3042793	421	SPDB 2,5/1-M-BU	3043239	423
SB 2-URTK/SP	0360012	561	SC 4/8	3042515	398	SP 4/1-M-GNYE	3042803	421	SPDB 2,5/1-M-GNYE	3043242	423
SB 4-RTK/S	0311265	555	SC 4/9	3042528	398	SP 4/1-R	3042816	421	SPDB 2,5/1-R	3043255	423
SB 4-URTK/SP	0360025	561	SC 4/10	3042531	398	SP 4/1-R-BU	3042829	421	SPDB 2,5/1-R-BU	3043268	423
SB 6-T 2-8	3075842	556	SC 4/11	3042544	398	SP 4/1-R-GNYE	3042832	421	SPDB 2,5/1-R-GNYE	3043271	423
SB 6-T 3-8	3075843	556	SC 4/12	3042557	398	SP 4/2	3042890	417	SPDB 2,5/2	3040410	419
SB 6-T 4-8	3075844	556	SC 4/13	3042560	398	SP 4/3	3042900	417	SPDB 2,5/3	3040423	419
SB-ME 2-6	3035755	475	SC 4/14	3042573	398	SP 4/4	3042926	417	SPDB 2,5/4	3040436	419
SB-ME 2-8	3034468	475	SC 4/15	3042586	398	SP 4/5	3042939	417	SPDB 2,5/5	3040449	419
SB-ME 3-6	3035756	475	SCBI 10-8,15	3245134	556	SP 4/6	3042942	417	SPDB 2,5/6	3040452	419
SB-ME 3-8	3032800	475	SCBI 10-8,15 ISO	3000417	556	SP 4/7	3042955	417	SPDB 2,5/7	3040465	419
SB-ME 4-6	3035757	475	SF-PZSL 1-80 VDE	1212556	98	SP 4/8	3042968	417	SPDB 2,5/8	3040478	419
SB-ME 4-8	3034484	475	SF-PZSL 2-100 S-VDE	1212700	99	SP 4/9	3042971	417	SPDB 2,5/9	3040481	419
SB-MER 2-8	3000587	475	SF-SL 0,6X3,5-100 S-VDE	1212587	26	SP 4/1 BU	3061033	417	SPDB 2,5/10	3040494	419
SB-MER 3-8	3000588	475	SF-SL 0,8X4,0-100	1212551	662	SP 4/1 GNYE	3061046	417	SPDB 2,5/11	3040504	419
SB-MER 4-8	3000589	475	SF-SL 0,8X4,0-100 S-VDE	1212588	337	SP 4/10	3042984	417	SPDB 2,5/12	3040517	419
SBH 2-15	0205232	581	SGSK 6	3029965	257	SP 4/11	3042997	417	SPDB 2,5/13	3040520	419
SBP-TB 6-T 2-8	3070321	556	SH-SE 14/18	0913317	540	SP 4/12	3043006	417	SPDB 2,5/14	3040533	419
SBP-TB 6-T 3-8	3070322	556	SHN 13	1209923	457	SP 4/13	3043718	417	SPDB 2,5/15	3040546	419
SBP-TB 6-T 4-8	3070323	556	SHN 5.5	1209855	456	SP 4/14	3043721	417	SPV 2,5/1	3041710	417
SC 2,5-NS/ 1-L	3042340	404	SHN 8	1209868	457	SP 4/15	3043734	417	SPV 2,5/1 BU	3061017	417
SC 2,5-RZ/ 1-L	3042214	401	SK 5	3025338	644	SP-H 2,5/1	3210619	417	SPV 2,5/1 GNYE	3061020	417
SC 2,5-RZ/ 1-L BU	3042227	401	SK 5-D	3025406	644	SP-H 2,5/1 BU	3210761	417	SPV 2,5/1-L	3041024	421
SC 2,5-RZ/ 1-L GNYE	3042230	401	SK 8	3025163	644	SP-H 2,5/1 GNYE	3210774	417	SPV 2,5/1-L BU	3041037	421
SC 2,5-RZ/ 2	3041516	400	SK 8-D	3026861	644	SP-H 2,5/1-L	3210787	421	SPV 2,5/1-L GNYE	3041040	421
SC 2,5-RZ/ 3	3041529	400	SK 14	3025176	644	SP-H 2,5/1-L-BU	3210790	421	SPV 2,5/1-M	3041053	421
SC 2,5-RZ/ 4	3041532	400	SK 14-D	3026874	644	SP-H 2,5/1-L GNYE	3210800	421	SPV 2,5/1-M BU	3041066	421
SC 2,5-RZ/ 5	3041545	400	SK 20	3025189	644	SP-H 2,5/1-M	3210813	421	SPV 2,5/1-M GNYE	3041079	421
SC 2,5-RZ/ 6	3041558	400	SK 20-D	3026887	644	SP-H 2,5/1-M BU	3210826	421	SPV 2,5/1-R	3041082	421
SC 2,5-RZ/ 7	3041561	400	SK 28	3026997	644	SP-H 2,5/1-M GNYE	3210839	421	SPV 2,5/1-R BU	3041095	421
SC 2,5-RZ/ 8	3041574	400	SK 28-D	3027006	644	SP-H 2,5/1-R	3210842	421	SPV 2,5/1-R GNYE	3041105	421
SC 2,5-RZ/ 9	3041590	400	SK 35	3026463	644	SP-H 2,5/1-R BU	3210855	421	SPV 2,5/2	3041723	417
SC 2,5-RZ/10	3041587	400	SK 35-D	3026890	644	SP-H 2,5/1-R GNYE	3210868	421	SPV 2,5/3	3041736	417
SC 2,5-RZ/11	3041600	400	SKS 14	3240211	645	SP-H 2,5/2	3210622	417	SPV 2,5/4	3041749	417
SC 2,5-RZ/12	3041613	400	SKS 14-D	3240214	645	SP-H 2,5/3	3210635	417	SPV 2,5/5	3041752	417
SC 2,5-RZ/13	3041626	400	SKS 14-NS35	3240217	645	SP-H 2,5/4	3210648	417	SPV 2,5/6	3041765	417
SC 2,5-RZ/14	3041639	400	SKS 14-SNS35	3062799	645	SP-H 2,5/5	3210651	417	SPV 2,5/7	3041778	417
SC 2,5/1-L	3042188	399	SKS 20	3240212	645	SP-H 2,5/6	3210664	417	SPV 2,5/8	3041781	417
SC 2,5/1-L BU	3042191	399	SKS 20-D	3240215	645	SP-H 2,5/7	3210677	417	SPV 2,5/9	3041794	417
SC 2,5/1-L GNYE	3042201	399	SKS 20-NS35	3240218	645	SP-H 2,5/8	3210680	417	SPV 2,5/10	3041804	417
SC 2,5/2	3041312	398	SKS 20-SNS35	3062809	645	SP-H 2,5/9	3210693	417	SPV 2,5/11	3041817	417
SC 2,5/3	3042269	398	SKS 8	3240210	645	SP-H 2,5/10	3210703	417	SPV 2,5/12	3041820	417
SC 2,5/4	3042272	398	SKS 8-D	3240213	645	SP-H 2,5/11	3210716	417	SPV 2,5/13	3041833	417
SC 2,5/5	3042285	398	SKS 8-NS35	3240216	645	SP-H 2,5/12	3210729	417	SPV 2,5/14	3041846	417
SC 2,5/6	3042298	398	SKS 8-SNS35	3062786	645	SP-H 2,5/13	3210732	417	SPV 2,5/15	3041859	417
SC 2,5/7	3041367	398	SLKK 5	0461018	522	SP-H 2,5/14	3210745	417	SRDK 6	3029973	257
SC 2,5/8	3042308	398	SLKK 5-LA 24 RD/U-O	0461021	522	SP-H 2,5/15	3210758	417	SRTK 6	3029952	257
SC 2,5/9	3041383	398	SLKK 5-LA 60 RD/U-O	0461034	522	SPB 2,5/1	3040106	418	SS-ZB WH	5031171	540
SC 2,5/10	3042311	398	SLKK 5-LA230	0461047	522	SPB 2,5/1 BU	3040724	418	SS-ZB YE	5031650	540
SC 2,5/11	3041406	398	SP 2,5/1	3040258	416	SPB 2,5/1 GNYE	3040711	418	SSK 0525 KER-EX	0501059	593
SC 2,5/12	3042324	398	SP 2,5/1 BU	3040698	416	SPB 2,5/1-L	3043103	422	SSK 110 KER-EX	0502058	594
SC 2,5/13	3041422	398	SP 2,5/1 GNYE	3040708	416	SPB 2,5/1-L BU	3043116	422	SSK 116 KER-EX	0503057	595
SC 2,5/14	3041435	398	SP 2,5/1-L	3043019	420	SPB 2,5/1-L GNYE	3043129	422	SSK 135 KER-EX	0505055	595
SC 2,5/15	3041448	398	SP 2,5/1-L BU	3043022	420	SPB 2,5/1-M	3043132	422	SSL 2,5	3043815	405
SC 4-NS/ 1-L	3043404	404	SP 2,5/1-L GNYE	3043035	420	SPB 2,5/1-M BU	3043145	422	ST 1,5	3031076	204
SC 4-RZ/ 1-L	3043378	403	SP 2,5/1-M	3043043	420	SPB 2,5/1-L GNYE	3043158	422	ST 1,5 BK	3037067	204
SC 4-RZ/ 1-L BU	3043381	403	SP 2,5/1-M BU	3043051	420	SPB 2,5/1-R	3043161	422	ST 1,5 BU	3031089	204
SC 4-RZ/ 1-L GNYE	3043394	403	SP 2,5/1-M GNYE	3043064	420	SPB 2,5/1-R BU	3043174	422	ST 1,5 OG	3037012	204
SC 4-RZ/ 2	3042625	402	SP 2,5/1-R	3043077	420	SPB 2,5/1-R GNYE	3043187	422	ST 1,5 RD	3037038	204
SC 4-RZ/ 3	3042638	402	SP 2,5/1-R BU	3043080	420	SPB 2,5/2	3040119	418	ST 1,5-PE	3037051	208
SC 4-RZ/ 4	3042641	402	SP 2,5/1-R GNYE	3043093	420	SPB 2,5/3	3040122	418	ST 1,5-QUATTRO	3031186	221
SC 4-RZ/ 5	3042654	402	SP 2,5/2	3040261	416	SPB 2,5/4	3040135	418	ST 1,5-QUATTRO BU	3031199	221
SC 4-RZ/ 6	3042667	402	SP 2,5/3	3040274	416	SPB 2,5/5	3040143	418	ST 1,5-QUATTRO-PE	3031209	224
SC 4-RZ/ 7	3042670	402	SP 2,5/4	3040287	416	SPB 2,5/6	3040151	418	ST 1,5-QUATTRO-U	3038600	222
SC 4-RZ/ 8	3042683	402	SP 2,5/5	3040290	416	SPB 2,5/7	3040164	418	ST 1,5-TWIN	3031128	212
SC 4-RZ/ 9	3042696	402	SP 2,5/6	3040300	416	SPB 2,5/8	3040177	418	ST 1,5-TWIN BK	3037300	212
SC 4-RZ/10	3042706	402	SP 2,5/7	3040313	416	SPB 2,5/9	3040180	418	ST 1,5-TWIN BU	3031131	212
SC 4-RZ/11	3043323	402	SP 2,5/8	3040326	416	SPB 2,5/10	3040193	418	ST 1,5-TWIN OG	3037258	212
SC 4-RZ/12	3043336	402	SP 2,5/9	3040339	416	SPB 2,5/11	3040203	418	ST 1,5-TWIN RD	3037274	212
SC 4-RZ/13	3043349	402	SP 2,5/10	3040342	416	SPB 2,5/12	3040216	418	ST 1,5-TWIN-PE	3031144	216

Type	Order No.	Page	Type	Order No.	Page	Type	Order No.	Page	Type	Order No.	Page
ST 1,5/S-QUATTRO	3213124	220	ST 2,5-TG	3038435	246	ST 4-QUATTRO/2P BU	3042861	377	STIO 2,5/3-PE/B/L-LA24RD/O-M	3209138	237
ST 1-SI	0920326	532	ST 2,5-TWIN	3031241	213	ST 4-QUATTRO/2P-PE	3042858	379	STIO 2,5/4-3B/L	3209057	238
ST 1-SILA 250	0920397	532	ST 2,5-TWIN BK	3037342	213	ST 4-TG	3038367	247	STIO 2,5/4-3B/L-LA24GN/O-M	3209167	238
ST 1-SILED 24	0920384	532	ST 2,5-TWIN BU	3031254	213	ST 4-TWIN	3031393	213	STIO 2,5/4-3B/L-LA24RD/O-M	3209154	238
ST 10	3036110	206	ST 2,5-TWIN OG	3031982	213	ST 4-TWIN BK	3037407	213	STIO 2,5/4-PE/2B/L	3209060	239
ST 10 BU	3036123	206	ST 2,5-TWIN RD	3031995	213	ST 4-TWIN BU	3031403	213	STIO 2,5/4-PE/2B/L-LA24GN/O-M	3209183	239
ST 10-PE	3036136	210	ST 2,5-TWIN-DIO/L-R	3036246	259	ST 4-TWIN OG	3037355	213	STIO 2,5/4-PE/2B/L-LA24RD/O-M	3209170	239
ST 10-TWIN	3035288	214	ST 2,5-TWIN-DIO/R-L	3036521	259	ST 4-TWIN RD	3037371	213	STIO-IN 2,5/3 OG	3209196	237
ST 10-TWIN BU	3035292	214	ST 2,5-TWIN-MT	3036356	249	ST 4-TWIN-PE	3031416	217	STIO-IN 2,5/3-PE OG	3209086	237
ST 10-TWIN-PE	3035302	218	ST 2,5-TWIN-MT BU	3037821	249	ST 4/ 1P	3042719	376	STIO-IN 2,5/4 OG	3209206	239
ST 16	3036149	207	ST 2,5-TWIN-MT/1P	3040766	387	ST 4/ 1P BU	3042874	376	STIO-IN 2,5/4-PE OG	3209109	239
ST 16 BU	3036152	207	ST 2,5-TWIN-PE	3031267	217	ST 4/ 1P-PE	3042722	378	STIME 6	3035700	253
ST 16-PE	3036165	211	ST 2,5-TWIN-TG	3038448	246	ST 4/ 2P	3042735	361	STIME 6 HV	3035693	254
ST 16-TWIN	3035328	215	ST 2,5-TWIN-TG/1P	3040847	386	ST 4/ 2P BU	3043789	361	STIME 6 HV BU	3035694	254
ST 16-TWIN BU	3035331	215	ST 2,5-TWIN/ 1P	3042117	377	ST 4/ 2P-PE	3042748	363	STIME 6-BE	3035688	255
ST 16-TWIN-PE	3035344	219	ST 2,5-TWIN/ 1P BU	3042104	377	ST 6	3031487	205	STIME 6-DIO/L-R HV	3035691	255
ST 2,5	3031212	205	ST 2,5-TWIN/ 1P-PE	3042120	379	ST 6 BU	3031490	205	STIME 6-DIO/R-L HV	3035692	255
ST 2,5 BK	3037122	205	ST 2,5-TWIN/1P-F	3209840	437	ST 6-PE	3031500	209	STMED 6	3035713	253
ST 2,5 BU	3031225	205	ST 2,5-TWIN/1P-FS	3061389	435	ST 6-TWIN	3036466	213	STMED 6-PE	3035726	253
ST 2,5 OG	3037070	205	ST 2,5/ 1P	3040012	376	ST 6-TWIN BU	3036479	213	STN 10	3038244	287
ST 2,5 RD	3037096	205	ST 2,5/ 1P BU	3040656	376	ST 6-TWIN-PE	3036482	217	STN 16	3038286	287
ST 2,5-3L	3036042	232	ST 2,5/ 1P-PE	3040025	378	ST-1N4007	2802329	544	STN 2,5	3031940	286
ST 2,5-3L BU	3038710	232	ST 2,5/1P-F	3209837	437	ST-B250C1500	2802345	544	STN 35	3038299	287
ST 2,5-3L-LA 24RD/O-M	3035580	233	ST 2,5/1P-FS	3061376	435	ST-BE	2802316	544	STN 4	3031979	286
ST 2,5-3PE	3036071	233	ST 2,5/2P	3042133	361	ST-BE-LA 24	2802374	544	STP 3,5-2	0830131	484
ST 2,5-3PV	3036068	233	ST 2,5/2P BU	3042094	361	ST-BE-LA230	2802387	544	STP 3,5-3	0830132	484
ST 2,5-4L/1P	3041985	389	ST 2,5/2P-F	3061198	437	ST-BE-VP	2802332	544	STP 4-2	0810575	484
ST 2,5-4L/2P	3042007	389	ST 2,5/2P-FS	3061415	435	ST-K 4	5025462	544	STP 4-2-ZB	0838613	484
ST 2,5-4L/2P-Z	3041998	389	ST 2,5/2P-PE	3042146	363	ST-SI	0920229	532	STP 5-2	0800967	484
ST 2,5-DIO/L-R	3036262	258	ST 35	3036178	207	ST-SI-UK 4	0921011	544	STP 5-2-ZB	3037643	484
ST 2,5-DIO/R-L	3036518	258	ST 35 BU	3036181	207	ST-SILA250	0920287	532	STP 5-2/S	0800970	484
ST 2,5-MT	3036343	248	ST 35-PE	3036194	211	ST-SILA250-UK 4	0921053	544	STP 5-3	0810562	484
ST 2,5-MT BU	3037818	248	ST 4	3031364	205	ST-SILED 12-UK 4	0921024	544	STS 2,5	3036398	268
ST 2,5-PCB/ 2-G-5,2	1980378	406	ST 4 BK	3037180	205	ST-SILED 24	0920452	532	STS 2,5 BU	3036408	268
ST 2,5-PCB/ 3-G-5,2	1980381	406	ST 4 BU	3031377	205	ST-SILED 24-UK 4	0921037	544	STS 2,5 OG	3037478	268
ST 2,5-PCB/ 4-G-5,2	1980394	406	ST 4 OG	3037135	205	ST-SILED 60-UK 4	0921040	544	STS 2,5 RD	3037601	268
ST 2,5-PCB/ 5-G-5,2	1980404	406	ST 4 RD	3037151	205	ST-T	0920216	532	STS 2,5-MT	3036990	281
ST 2,5-PCB/ 6-G-5,2	1980417	406	ST 4-FSI/C	3036372	244	STG 1-RV/L	3190124	578	STS 2,5-MT BU	3035425	281
ST 2,5-PCB/ 7-G-5,2	1980420	406	ST 4-FSI/C-LED 12	3036495	244	STG 2-RV/L	3190137	578	STS 2,5-PE	3036411	270
ST 2,5-PCB/ 8-G-5,2	1980433	406	ST 4-FSI/C-LED 24	3036505	244	STG 2-RV/Q	3190247	578	STS 2,5-QUATTRO	3031746	276
ST 2,5-PCB/ 9-G-5,2	1980446	406	ST 4-HEDI	3035140	243	STG 8-RV/L	3190195	578	STS 2,5-QUATTRO BU	3036288	276
ST 2,5-PCB/10-G-5,2	1980459	406	ST 4-HESI (5X20)	3036369	243	STG 8-RV/Q	3190302	578	STS 2,5-QUATTRO OG	3037575	276
ST 2,5-PCB/11-G-5,2	1980462	406	ST 4-HESI (6,3X32)	3036385	243	STG 8-VKK4	3190386	572	STS 2,5-QUATTRO RD	3037562	276
ST 2,5-PCB/12-G-5,2	1980475	406	ST 4-HESILA 250 (5X20)	3036563	243	STG 10-RV/L	3190205	578	STS 2,5-QUATTRO-PE	3031759	277
ST 2,5-PCBV/ 2-G-5,2	1980488	407	ST 4-HESILA 250 (6,3X32)	3038778	243	STG-EW	3190441	439	STS 2,5-TG	3037009	280
ST 2,5-PCBV/ 3-G-5,2	1980491	407	ST 4-HESILED 24 (5X20)	3036547	243	STG-MTN 0,5-1,0	3190438	371	STS 2,5-TWIN	3031720	272
ST 2,5-PCBV/ 4-G-5,2	1980501	407	ST 4-HESILED 24 (6,3X32)	3038765	243	STG-MTN 0,5-1,0 BA	3190629	439	STS 2,5-TWIN BU	3036275	272
ST 2,5-PCBV/ 5-G-5,2	1980514	407	ST 4-HESILED 60 (5X20)	3036550	243	STG-MTN 1,5-2,5	3190506	371	STS 2,5-TWIN OG	3037504	272
ST 2,5-PCBV/ 6-G-5,2	1980527	407	ST 4-MT	3038875	249	STG-MTN 1,5-2,5 BAND	3190632	439	STS 2,5-TWIN-PE	3031733	274
ST 2,5-PCBV/ 7-G-5,2	1980530	407	ST 4-PCB/ 2-G-6,2	1980598	406	STGZ 1 BK	3193147	578	STS 4	3036424	269
ST 2,5-PCBV/ 8-G-5,2	1980543	407	ST 4-PCB/ 3-G-6,2	1980608	406	STGZ 10-RVS	3192067	579	STS 4 BU	3036437	269
ST 2,5-PCBV/ 9-G-5,2	1980556	407	ST 4-PCB/ 4-G-6,2	1980611	406	STGZ 20-RVS	3192054	579	STS 4 OG	3037481	269
ST 2,5-PCBV/10-G-5,2	1980569	407	ST 4-PCB/ 5-G-6,2	1980624	406	STGZ BK	3193134	572	STS 4 RD	3037494	269
ST 2,5-PCBV/11-G-5,2	1980572	407	ST 4-PCB/ 6-G-6,2	1980637	406	STI 10	3038215	283	STS 4-PE	3036440	271
ST 2,5-PCBV/12-G-5,2	1980585	407	ST 4-PCB/ 7-G-6,2	1980640	406	STI 10 BU	3038228	283	STS 4-QUATTRO	3031681	277
ST 2,5-PE	3031238	209	ST 4-PCB/ 8-G-6,2	1980653	406	STI 10-PE	3038231	285	STS 4-QUATTRO BU	3036301	277
ST 2,5-PE/2PV	3038833	234	ST 4-PCB/ 9-G-6,2	1980666	406	STI 16	3038257	283	STS 4-QUATTRO OG	3037546	277
ST 2,5-PE/3L	3036055	235	ST 4-PCB/10-G-6,2	1980679	406	STI 16 BU	3038260	283	STS 4-QUATTRO RD	3037559	277
ST 2,5-PE/3L/1P	3041969	389	ST 4-PCB/11-G-6,2	1980682	406	STI 16-PE	3038273	285	STS 4-QUATTRO-PE	3031694	277
ST 2,5-PE/LL	3036097	234	ST 4-PCB/12-G-6,2	1980695	406	STI 2,5	3031924	282	STS 4-TWIN	3031665	273
ST 2,5-PE/LN	3036084	234	ST 4-PCBV/ 2-G-6,2	1980705	407	STI 2,5 BU	3036217	282	STS 4-TWIN BU	3036291	273
ST 2,5-QUATTRO	3031306	221	ST 4-PCBV/ 3-G-6,2	1980718	407	STI 2,5-L	3031869	289	STS 4-TWIN OG	3037533	273
ST 2,5-QUATTRO BU	3031319	221	ST 4-PCBV/ 4-G-6,2	1980721	407	STI 2,5-L/L	3031856	289	STS 4-TWIN-PE	3031678	275
ST 2,5-QUATTRO-DIO/L-R	3036233	259	ST 4-PCBV/ 5-G-6,2	1980734	407	STI 2,5-L/N	3201851	290	STS 4-TWIN/L	3036592	273
ST 2,5-QUATTRO-DIO/R-L	3036534	259	ST 4-PCBV/ 6-G-6,2	1980747	407	STI 2,5-PE	3031937	284	STS 4-TWIN/L BU	3036589	273
ST 2,5-QUATTRO-MT	3036576	249	ST 4-PCBV/ 7-G-6,2	1980750	407	STI 2,5-PE/L/L	3031830	288	STS 6	3038121	269
ST 2,5-QUATTRO-MT BU	3037834	249	ST 4-PCBV/ 8-G-6,2	1980763	407	STI 2,5-PE/L/LB	3035205	291	STS 6 BU	3038134	269
ST 2,5-QUATTRO-PE	3031322	225	ST 4-PCBV/ 9-G-6,2	1980776	407	STI 2,5-PE/L/LTB	3032130	291	STS 6-PE	3038147	271
ST 2,5-QUATTRO-TG	3038451	247	ST 4-PCBV/10-G-6,2	1980789	407	STI 2,5-PE/L/N	3031843	289	STS 6-TWIN	3038150	273
ST 2,5-QUATTRO-U	3031636	223	ST 4-PCBV/11-G-6,2	1980792	407	STI 2,5-PE/L/NT	3031827	288	STS 6-TWIN BU	3038163	273
ST 2,5-QUATTRO/2P	3040038	377	ST 4-PCBV/12-G-6,2	1980802	407	STI 2,5-PE/L/NTB	3038642	290	STS 6-TWIN-PE	3038176	275
ST 2,5-QUATTRO/2P BU	3040669	377	ST 4-PE	3031380	209	STI 2,5-PE/L/TG	3039942	291	STTB 1,5	3031157	226
ST 2,5-QUATTRO/2P-F	3209853	437	ST 4-PE/3L	3038338	235	STI 4	3031953	283	STTB 1,5 BU	3031160	226
ST 2,5-QUATTRO/2P-FS	3061392	435	ST 4-QUATTRO	3031445	221	STI 4 BU	3036220	283	STTB 1,5-PE	3036013	228
ST 2,5-QUATTRO/2P-PE	3040041	379	ST 4-QUATTRO BU	3031458	221	STI 4-PE	3031966	285	STTB 1,5-PV	3031526	226
ST 2,5-QUATTRO/4P	3042159	361	ST 4-QUATTRO-DIO 1N 5408/L-R	3037782	259	STIO 2,5/3-2B/L	3209015	236	STTB 2,5	3031270	227
ST 2,5-QUATTRO/4P BU	3042081	361	ST 4-QUATTRO-DIO 1N 5408/R-L	3037795	259	STIO 2,5/3-2B/L-LA24GN/O-M	3209031	236	STTB 2,5 BU	3031283	227
ST 2,5-QUATTRO/4P-F	3061208	437	ST 4-QUATTRO-PE	3031461	225	STIO 2,5/3-2B/L-LA24RD/O-M	3209028	236	STTB 2,5-2DIO/O-UL/O-UR	303159	

Alphabetical

Type	Order No.	Page	Type	Order No.	Page	Type	Order No.	Page	Type	Order No.	Page
STTB 2,5-DIO-U-O	3031563	260	T			UHV 95-KH/AS	2130127	465	UK 10-PLUS BU	3001475	501
STTB 2,5-DIO/UL-UR	3031571	260				UHV 95-KH/KH	2130172	465	UK 10-PLUS-PE	3001420	503
STTB 2,5-L/N	3036330	231				UHV 95-VS 2	2130635	465	UK 10-TWIN	3005196	501
STTB 2,5-LA 24 RD	3031607	261				UHV 95-VS 3	2130648	465	UK 10-TWIN BU	3005235	501
STTB 2,5-LA 60 RD	3031610	261	TP-UK	3003046	50	UHV150-AH	2130460	465	UK 10-TWIN-PE	3001433	503
STTB 2,5-LA230	3031623	261	TPN-UK	3003062	534	UHV150-AS/AS	2130033	465	UK 16 N	3006043	495
STTB 2,5-PE	3036026	229	TPNS-UK	0706647	597	UHV150-KH/AS	2130130	465	UK 16 N BU	3006056	495
STTB 2,5-PE/L	3036314	230	TPS 3/20/5	3246586	556	UHV150-KH/KH	2130185	465	UK 35 N	3074130	495
STTB 2,5-PE/N	3036327	231	TS-GSK	0304214	553	UHV150-VS 2	2130651	465	UK 35 N BU	3058350	549
STTB 2,5-PT100 MD	3035564	261	TS-K	1302215	493	UHV150-VS 3	2130664	465	UK 5 N-MT	3000563	495
STTB 2,5-PV	3031539	227	TS-KK 3	2770215	293	UHV240-AH	2130473	465	UK 5 N-TG	3000604	545
STTB 2,5-PV BU	3035108	227	TS-KK 3 SO	2778534	610	UHV240-AS/AS	2130046	465	UK 5-HEDI N	3000564	525
STTB 2,5-TWIN	3038516	227	TS-RTK	0310211	555	UHV240-KH/AS	2130143	465	UK 5-HEDI N GY	3000752	525
STTB 2,5-TWIN BU	3038529	227	TS-RTK-BEN	0308210	555	UHV240-KH/KH	2130198	465	UK 5-HESI N	3000539	524
STTB 2,5-TWIN-PE	3038532	229	TS-U3K 2,5	2770066	250	UHV240-VS 2	2130677	465	UK 5-HESILA 250 N	3000542	524
STTB 2,5-TWIN-PV	3038545	227	TS-URTK/SS	0321213	553	UHV240-VS 3	2130680	465	UK 5-HESILED 24 N	3000540	524
STTB 2,5/2P	3040054	380	TS-USST 4/10	3070383	597	UIK 16	3006153	581	UK 5-HESILED 60 N	3000541	524
STTB 2,5/2P BU	3040672	380	TZ	0306704	544	UIK 16 BU	3006205	581	UK 5-MTD N	3000562	525
STTB 2,5/2P BU SO	3040902	380			UIK 35	3006182	581	UK 6-T	3072800	556	
STTB 2,5/2P SO	3040892	380			UIK 35 BU	3006302	581	UK-SI	3118012	532	
STTB 2,5/2P-F	3061169	437			UIKN 16 BU	3006166	585	UK-SI BU	3118096	532	
STTB 2,5/2P-FS	3061428	435	U			UIKN 35 BU	3034015	585	UKD 6	3072801	557
STTB 2,5/2P-PE	3040067	381				UISLKG 16	0443052	582	UKH 50	3009118	30
STTB 2,5/2P-PE SO	3040915	381				UISLKG 16-1	3001789	582	UKH 50 BU	3009105	30
STTB 2,5/2P-PV	3040070	381		UAB	3032428	583	UISLKG 35	0443065	582	UKH 50 EP	3009228
STTB 2,5/2P-PV BU	3040685	381	UDB 2X25/16 BK	3071356	98	UISLKG 35-1	3001776	582	UKH 50-3L	3076634	34
STTB 2,5/2P-PV SO	3040928	381	UDB 2X25/16 BN	3071357	98	UK 1,5 N	3005837	492	UKH 50-3L-F	3076638	36
STTB 2,5/4P	3061486	365	UDB 2X25/16 BU	3071358	98	UK 1,5 N BU	3005840	492	UKH 50-3L/FE	3076636	34
STTB 2,5/4P BU	3061512	365	UDB 2X25/16 GN	3071359	98	UK 2,5 N	3003347	493	UKH 50-3L/FE-F	3076640	36
STTB 2,5/4P-PE	3061499	365	UDB 2X25/16 GY	3071355	98	UK 2,5 N BU	3003350	493	UKH 50-3L/N	3076635	34
STTB 2,5/4P-PV	3061509	365	UDB 2X35/25 BK	3071351	99	UK 3 N	3001501	493	UKH 50-3L/N-F	3076639	36
STTB 4	3031429	227	UDB 2X35/25 BN	3071352	99	UK 3 N BU	3001514	493	UKH 50-3L/N/FE	3076637	34
STTB 4 BU	3031432	227	UDB 2X35/25 BU	3071353	99	UK 3-TWIN	3002225	500	UKH 50-3L/N/FE-F	3076641	36
STTB 4-PE	3036039	229	UDB 2X35/25 GN	3071354	99	UK 3-TWIN BU	3002416	500	UKH 50-F	3247019	36
STTB 4-PV	3031542	227	UDB 2X35/25 GY	3071350	99	UK 3-TWIN-PE	1923128	502	UKH 70-3L	3076329	34
STTBS 2,5	3038464	278	UDK 3	2775375	504	UK 4-LOE/LOE	3012011	574	UKH 70-3L-F	3076484	36
STTBS 2,5 BU	3038493	278	UDK 3 BU	2718277	504	UK 4-LOER	3014019	574	UKH 70-3L/FE	3076400	34
STTBS 2,5-PE	3038480	279	UDK 3-PE	2775456	505	UK 4-TG	2812018	543	UKH 70-3L/FE-F	3076565	36
STTBS 2,5-PV	3038477	278	UDK 4	2775016	505	UK 4-TG-P/P	2812034	543	UKH 70-3L/N	3076361	34
STTBS 2,5-PV BU	3035289	278	UDK 4 BU	2775090	505	UK 4-TP(2,4X0,8)L	3086021	576	UKH 70-3L/N-F	3076523	36
STTBS 4	3035056	279	UDK 4-DUR	2775207	564	UK 4-TP(2,4X0,8)Q	3086034	576	UKH 70-3L/N/FE	3076442	34
STTBS 4 BU	3035069	279	UDK 4-DUR 249	2775249	564	UK 4-TP/TP(2,4X0,8)L	3086047	577	UKH 70-3L/N/FE-F	3076604	36
STTBS 4-MT	3035470	251	UDK 4-ILA 500	2775061	565	UK 4-TP/TP(2,4X0,8)Q	3086063	577	UKH 95	3010013	31
STTBS 4-MT BU	3035522	251	UDK 4-ILA 1000	2775087	565	UK 5 N	3004362	493	UKH 95 BU	3010136	31
STTBS 4-PE	3035072	279	UDK 4-MTK-P/P	2775210	550	UK 5 N BU	3004388	493	UKH 95 EP	3009231	31
STTBS 4-PV	3035085	279	UDK 4-MTK-P/P BU	2775223	550	UK 5-HESI	3004100	526	UKH 95-3L	3076332	35
STTBU 4-TG	3035483	247	UDK 4-PE	2775184	505	UK 5-HESILA 250	3004142	526	UKH 95-3L-F	3076497	37
STTBU 4	3033155	266	UDK 4-TG	2777014	543	UK 5-HESILED 24	3004126	526	UKH 95-3L/FE	3076413	35
STTBU 4 BU	3033168	266	UDK 4-ULA 24 RD/O-U	2775045	565	UK 5-MTK	3004430	549	UKH 95-3L/FE-F	3076578	37
STTBU 4-PE	3033171	267	UDK 4-ULA 48 RD/O-U	2775032	565	UK 5-MTK-P/P	3004032	549	UKH 95-3L/N	3076374	35
STTBU 4-PV	3033184	267	UDK 4-ULA 230	2775058	565	UK 5-MTK-P/P BU	3004058	549	UKH 95-3L/N-F	3076536	37
STU 10/ 4X2,5	3033139	264	UDK 4-ULA/EK	2775029	565	UK 5-TWIN	1923021	501	UKH 95-3L/N/FE	3076455	35
STU 10/ 4X2,5 BU	3033142	264	UDMTK 5-P/P	3101087	551	UK 5-TWIN BU	1923047	501	UKH 95-3L/N/FE-F	3076617	37
STU 2,5-TWIN	3033016	262	UDMTK 5-P/P BU	3101113	551	UK 5-TWIN-PE	1923076	503	UKH 95-F	3247022	37
STU 2,5-TWIN BU	3033029	262	UDMTK 5-TWIN-P/P	3101126	551	UK 6 N	3004524	494	UKH 150	3010110	32
STU 2,5-TWIN-PE	3033032	263	UDMTK 5-TWIN-P/P BU	3101139	551	UK 6 N BU	3004977	494	UKH 150 BU	3010123	32
STU 35/ 4X10	3033126	265	UDMTKB 5-P/P	3024478	551	UK 6,3-HESI	3004171	527	UKH 150-3L	3076345	35
STU 35/ 4X10 BU	3033210	265	UGSK 6	3026285	77	UK 6,3-HESILA 250	3004249	527	UKH 150-3L-F	3076507	37
STU 4-TWIN	3033058	263	UGSK/S	0305080	553	UK 6,3-HESILED 24	3004265	527	UKH 150-3L/FE	3076426	35
STU 4-TWIN BU	3033061	263	UGSK/S + GS	0313085	553	UK 6-FSI/C	3118203	533	UKH 150-3L/FE-F	3076581	37
STU 4-TWIN-PE	3033074	263	UHK 4-FS(8-2,8-0,8)	2017237	569	UK 6-FSI/C-LED12	3001925	533	UKH 150-3L/N	3076387	35
SZF 0-0,4X2,5	1204504	104	UHK 4-FS/FS(12-2,8-0,8)	2017224	569	UK 6-FSI/C-LED24	3001938	533	UKH 150-3L/N-F	3076549	37
SZF 1-0,6X3,5	1204517	69	UHSK/S 2000	0704076	494	UK 10 N	3005073	495	UKH 150-3L/N/FE	3076468	35
SZF 2-0,8X4,0	1204520	75	UHV -E	2130428	464	UK 10 N BU	3005086	495	UKH 150-3L/N/FE-F	3076620	37
SZF 3-1,0X5,5	1206612	106	UHV -TP1	2130402	464	UK 10,3 HESILED 1000V	3211249	537	UKH 150-F	3247035	37
SZG 0,6X3,5 VDE	1205121	53	UHV -TP2	2130415	465	UK 10,3-CC HESI N	3048580	535	UKH 150/240 EP	3009244	32
SZG 0,9X6,5 VDE	1205134	76	UHV 25-AH	2130431	464	UK 10,3-HESI 1000V	3211236	537	UKH 240	3010217	33
SZK PH2 VDE	1205163	626	UHV 25-AS/AS	2130004	464	UK 10,3-HESI 1500V	3062760	538	UKH 240 BU	0711852	33
SZS 0,4X2,5 VDE	1205037	492	UHV 25-KH/AS	2130101	464	UK 10,3-HESI N	3048386	534	UKH 240-3L	3076358	35
SZS 0,6X3,5 VDE	1205053	613	UHV 25-KH/KH	2130156	464	UK 10,3-HESILED N 690	3048399	534	UKH 240-3L-F	3076510	37
SZS 1,0X4,0 VDE	1205066	27	UHV 25-VS 2	2130541	464	UK 10-DREHSI (5X20)	3005109	530	UKH 240-3L/FE	3076439	35
SZS 1,0X6,5 VDE	1205079	28	UHV 25-VS 3	2130554	464	UK 10-DREHSI (6,3X32)	3005507	531	UKH 240-3L/FE-F	3076594	37
SZS 1,2X8,0 VDE	1205082	30	UHV 50-AH	2130444	464	UK 10-DREHSI/K (5X25)	3005688	531	UKH 240-3L/N	3076390	35
			UHV 50-AS/AS	2130017	464	UK 10-DREHSILA 250 (5X20)	3005170	530	UKH 240-3L/N-F	3076552	37
			UHV 50-KH/AS	2130114	464	UK 10-DREHSILA 250 (6,3X32)	3005662	531	UKH 240-3L/N/FE	3076471	35
			UHV 50-KH/KH	2130169	464	UK 10-DREHSILED 12 (5X20)	3005112	530	UKH 240-3L/N/FE-F	3076633	37
			UHV 50-VS 2	5030897	464	UK 10-DREHSILED 24 (5X20)	3005138	530	UKH 240-F	3247048	37
			UHV 50-VS 3	2130622	464	UK 10-DREHSILED 24 (6,3X32)	3005646	531	UKH 70	3213140	31
			UHV 95-AH	2130457	465	UK 10-DREHSILED 60 (5X20)	3005154	530	UKH 70 BU	3244601	31
			UHV 95-AS/AS	2130020	465	UK 10-PLUS	3001381	501	UKH 70-F	3247051	36

Alphabetical

Type	Order No.	Page	Type	Order No.	Page	Type	Order No.	Page	Type	Order No.	Page
UKH 70-PE/S	3213141	41	UMSTBVK 2,5/12-ST-5,08	1833917	446	UPBV 2,5/5	3045431	408	USST 4	3070338	597
UKK 3	2770011	506	UMSTBVK 2,5/12-STF-5,08	1859276	446	UPBV 2,5/6	3045444	408	USST 4-MT	3070300	599
UKK 3 BU	2770095	506	UMSTBVK 2,5/13-G-5,08	1788224	445	UPBV 2,5/7	3045457	408	USST 4-MT P/P	3070302	599
UKK 3-LOER	2778013	575	UMSTBVK 2,5/13-GF-5,08	1788033	445	UPBV 2,5/8	3045460	408	USST 4-TG	3070301	599
UKK 3-LOER BU	2778097	575	UMSTBVK 2,5/13-ST-5,08	1833920	446	UPBV 2,5/9	3045473	408	USST 4-TG P/P	3070303	599
UKK 4-FS	2770561	573	UMSTBVK 2,5/13-STF-5,08	1859289	446	UPBV 2,5/10	3045499	408	USST 6	3070341	598
UKK 4-FS/FS	2771133	573	UMSTBVK 2,5/14-G-5,08	1788237	445	UPBV 2,5/11	3045509	408	USST 6-T	3070312	600
UKK 5	2774017	507	UMSTBVK 2,5/14-GF-5,08	1788046	445	UPBV 2,5/12	3045512	408	USST 6-T/SB	3070310	601
UKK 5 BU	2774091	507	UMSTBVK 2,5/14-ST-5,08	1833933	446	UPBV 2,5/13	3045525	408	USSTD 6	3070325	601
UKK 5-2 BE	3048030	562	UMSTBVK 2,5/14-STF-5,08	1859292	446	UPBV 2,5/14	3045538	408	UT 10	3044160	27
UKK 5-2DIO/O-UL/UR-UL	2791113	562	UMSTBVK 2,5/15-G-5,08	1788240	445	UPBV 2,5/15	3045541	408	UT 10 BK	3046320	27
UKK 5-BE	3048027	562	UMSTBVK 2,5/15-GF-5,08	1788059	445	UPBV 4/1	3045800	71	UT 10 BU	3044188	27
UKK 5-DIO/O-U	2791016	562	UMSTBVK 2,5/15-ST-5,08	1833946	446	UPBV 4/1 BU	3045266	71	UT 10 OG	3046281	27
UKK 5-DIO/U-O	2791032	562	UMSTBVK 2,5/15-STF-5,08	1859302	446	UPBV 4/1 GNYE	3045279	71	UT 10 RD	3046304	27
UKK 5-DIO/UL-UR	2791029	562	UMSTBVK 2,5/16-G-5,08	1788253	445	UPBV 4/1-L	3045716	411	UT 10-PE	3044173	39
UKK 5-HESI (5X20)	3007204	528	UMSTBVK 2,5/16-GF-5,08	1788062	445	UPBV 4/1-L BU	3045729	411	UT 16	3044199	28
UKK 5-HESI (6,3X32)	3007217	529	UMSTBVK 2,5/16-ST-5,08	1833959	446	UPBV 4/1-L GNYE	3045732	411	UT 16 BU	3044209	28
UKK 5-HESI/LED 24 (5X20)	3026654	528	UMSTBVK 2,5/16-STF-5,08	1859315	446	UPBV 4/1-M	3045745	411	UT 16-PE	3044212	40
UKK 5-HESI/LED 24 (6,3X32)	0711632	529	UP 4/1	3060115	71	UPBV 4/1-M BU	3045758	411	UT 16-PE/S	3215915	40
UKK 5-LA 24 RD/U-O	2791320	563	UP 4/1 BU	3045282	71	UPBV 4/1-M GNYE	3045761	411	UT 2,5	3044076	26
UKK 5-LA 60 RD/U-O	2791333	563	UP 4/1 GNYE	3045295	71	UPBV 4/1-R	3045774	411	UT 2,5 BK	3045088	26
UKK 5-LA230	2791359	563	UP 4/1-L	3060021	411	UPBV 4/1-R BU	3045787	411	UT 2,5 BU	3044089	26
UKK 5-MTK-P/P	2800004	550	UP 4/1-L BU	3060034	411	UPBV 4/1-R GNYE	3045790	411	UT 2,5 OG	3045046	26
UKK 5-MTK-P/P-LA 24RD/O-U	2800020	550	UP 4/1-L GNYE	3060047	411	UPBV 4/2	3045813	71	UT 2,5 RD	3045062	26
UKK 5-MTKD-P/P	2800017	550	UP 4/1-M	3060050	411	UPBV 4/3	3045826	71	UT 2,5-3L	3214259	50
UKK 5-PE	2774211	509	UP 4/1-M BU	3060063	411	UPBV 4/4	3045839	71	UT 2,5-3L-LA24RD/O-M	3214288	51
UKK 5-PV	2791388	507	UP 4/1-M GNYE	3060076	411	UPBV 4/5	3045842	71	UT 2,5-3PE	3214275	51
UKK 5-TG	3007042	543	UP 4/1-R	3060089	411	UPBV 4/6	3045855	71	UT 2,5-3PV	3214262	51
UKKB 3	2771010	506	UP 4/1-R BU	3060092	411	UPBV 4/7	3045868	71	UT 2,5-MT	3046362	60
UKKB 3 BU	2771094	506	UP 4/1-R GNYE	3060102	411	UPBV 4/8	3045871	71	UT 2,5-MT BU	3046553	60
UKKB 3-TP(2,4X0,8)L	2773254	577	UP 4/2	3060128	71	UPBV 4/9	3045884	71	UT 2,5-MT P/P BU	3046566	60
UKKB 3-TP(2,4X0,8)Q	2773267	577	UP 4/3	3060131	71	UPBV 4/10	3045897	71	UT 2,5-MT-P/P	3046375	60
UKKB 5	2771146	507	UP 4/4	3060144	71	UPBV 4/11	3045907	71	UT 2,5-MTD	3064085	62
UKKB 5 BU	3216053	507	UP 4/5	3060157	71	UPBV 4/12	3045910	71	UT 2,5-MTD BU	3064108	62
UKKB 5-PE	3007123	509	UP 4/6	3060160	71	UPBV 4/13	3045923	71	UT 2,5-MTD P/P	3064098	63
UKKB 10	2772077	508	UP 4/7	3060173	71	UPBV 4/14	3045936	71	UT 2,5-MTD P/P BU	3064111	63
UKKB 10-PV	3003567	508	UP 4/8	3060186	71	UPBV 4/15	3045949	71	UT 2,5-MTD-DIO/L-R	3064137	63
UKKB 10/2,5	2771007	508	UP 4/9	3060199	71	UPCT 4/2	3057461	73	UT 2,5-MTD-DIO/R-L	3064140	63
UKKB 10/2,5-PV	2775485	508	UP 4/10	3060209	71	UPCT 4/3	3057458	73	UT 2,5-MTD-PE	3064124	63
UKN 2,5 BU	3032004	583	UP 4/11	3060212	71	UPCV3K 4-G-7,62	1838381	441	UT 2,5-PE	3044092	38
UKN 5 BU	3032088	583	UP 4/12	3060225	71	UPCV3K-F	1881202	441	UT 2,5-PE/LL	3214301	51
UKN 6 N BU	3024041	584	UP 4/13	3060238	71	UPR/2	3045567	429	UT 2,5-PE/LN	3214291	51
UKN 10 N BU	3003910	584	UP 4/14	3060241	71	UPRZ	3045570	429	UT 2,5-QUATTRO	3044542	44
UMSTBHK 2,5/10-G	1765768	443	UP 4/15	3060254	71	UPZ/2	3045554	428	UT 2,5-QUATTRO BU	3044555	44
UMSTBVK 2,5/2-G-5,08	1788114	445	UP 6/1	3060610	409	URDK 6	3026706	77	UT 2,5-QUATTRO-PE	3044568	45
UMSTBVK 2,5/2-GF-5,08	1787924	445	UP 6/1 BU	3060717	409	URTK 6	3026272	77	UT 2,5-TG	3046388	58
UMSTBVK 2,5/3-G-5,08	1788127	445	UP 6/1 GNYE	3060720	409	URTK/S	0311087	555	UT 2,5-TG BU	3046579	58
UMSTBVK 2,5/3-GF-5,08	1787937	445	UP 6/1-L	3060733	411	URTK/S-BEN	0309086	555	UT 2,5-TG-P/P	3046391	58
UMSTBVK 2,5/4-G-5,08	1788130	445	UP 6/1-L BU	3060746	411	URTK/S-BEN 10	0309109	555	UT 2,5-TG-P/P BU	3046582	58
UMSTBVK 2,5/4-GF-5,08	1787940	445	UP 6/1-L GNYE	3060759	411	URTK/SP	0311126	561	UT 2,5-TWIN	3044513	42
UMSTBVK 2,5/5-G-5,08	1788143	445	UP 6/1-M	3060762	411	URTK/SS	0321019	553	UT 2,5-TWIN BU	3044526	42
UMSTBVK 2,5/5-GF-5,08	1787953	445	UP 6/1-M BU	3060775	411	URTK/SS-PSB	3056608	553	UT 2,5-TWIN-PE	3044539	43
UMSTBVK 2,5/5-ST-5,08	1833849	446	UP 6/1-M GNYE	3060788	411	URTKD/SP	0311142	561	UT 2,5-TWIN/1P	3060490	340
UMSTBVK 2,5/5-STF-5,08	1859205	446	UP 6/1-R	3060791	411	USB 2-RTK/S	0311278	555	UT 2,5-TWIN/1P BU	3060500	340
UMSTBVK 2,5/6-G-5,08	1788156	445	UP 6/1-R BU	3060801	411	USBR 2-11	3001356	617	UT 2,5-TWIN/1P-F	3061172	437
UMSTBVK 2,5/6-GF-5,08	1787966	445	UP 6/1-R GNYE	3060814	411	USBR 2-7	2303239	493	UT 2,5-TWIN/1P-PE	3060513	342
UMSTBVK 2,5/6-ST-5,08	1833852	446	UP 6/2	3060623	409	USED 27 N	3048373	541	UT 2,5/1P	3045017	336
UMSTBVK 2,5/6-STF-5,08	1859218	446	UP 6/3	3060636	409	USEN 14 N	3048357	540	UT 2,5/1P BU	3045020	336
UMSTBVK 2,5/7-G-5,08	1788169	445	UP 6/4	3060649	409	USEN 18 N	3048360	540	UT 2,5/1P-F	3060445	437
UMSTBVK 2,5/7-GF-5,08	1787979	445	UP 6/5	3060652	409	USIG	0920083	532	UT 2,5/1P-PE	3045033	338
UMSTBVK 2,5/7-ST-5,08	1833865	446	UP 6/6	3060665	409	USIG BU	0920122	532	UT 35	3044225	29
UMSTBVK 2,5/7-STF-5,08	1859221	446	UP 6/7	3060678	409	USK 4-FS/FS(8-2,8-0,8)	0271017	571	UT 35 BU	3044238	29
UMSTBVK 2,5/8-G-5,08	1788172	445	UP 6/8	3060681	409	USK 4-FSR(4-2,8-0,8)	0270018	571	UT 35-PE	3044241	40
UMSTBVK 2,5/8-GF-5,08	1787982	445	UP 6/9	3060694	409	USLKG 1,5 N	3005853	496	UT 35-PE/S	3215928	40
UMSTBVK 2,5/8-ST-5,08	1833878	446	UP 6/10	3060704	409	USLKG 10 N	3003923	498	UT 4	3044102	27
UMSTBVK 2,5/8-STF-5,08	1859234	446	UPBV 2,5/1	3045145	408	USLKG 10 N-1	0442082	498	UT 4 BK	3045143	27
UMSTBVK 2,5/9-G-5,08	1788185	445	UPBV 2,5/1 BU	3045240	408	USLKG 16 N	0443023	499	UT 4 BU	3044115	27
UMSTBVK 2,5/9-GF-5,08	1787995	445	UPBV 2,5/1 GNYE	3045253	408	USLKG 2,5 N	0441119	496	UT 4 OG	3045101	27
UMSTBVK 2,5/9-ST-5,08	1833881	446	UPBV 2,5/1-L	3045318	410	USLKG 2,5 N-1	0443081	496	UT 4 RD	3045127	27
UMSTBVK 2,5/9-STF-5,08	1859247	446	UPBV 2,5/1-L BU	3045321	410	USLKG 3	0441083	497	UT 4-HEDI	3046249	53
UMSTBVK 2,5/10-G-5,08	1788198	445	UPBV 2,5/1-L GNYE	3045334	410	USLKG 3-1	0441106	497	UT 4-HEDI-P/P	3046252	53
UMSTBVK 2,5/10-GF-5,08	1788004	445	UPBV 2,5/1-M	3045347	410	USLKG 35 N	3074143	499	UT 4-HESI (5X20)	3046032	52
UMSTBVK 2,5/10-ST-5,08	1833894	446	UPBV 2,5/1-M BU	3045350	410	USLKG 5	0441504	497	UT 4-HESILA 250 (5X20)	3046100	52
UMSTBVK 2,5/10-STF-5,08	1859250	446	UPBV 2,5/1-M GNYE	3045363	410	USLKG 5-1	0441517	497	UT 4-HESI/LED 24 (5X20)	3046090	52
UMSTBVK 2,5/11-G-5,08	1788208	445	UPBV 2,5/1-R	3045376	410	USLKG 50	0443049	491	UT 4-HESI/LED 24 (5X20) 120KOHM	3248005	52
UMSTBVK 2,5/11-GF-5,08	1788017	445	UPBV 2,5/1-R BU	3045389	410	USLKG 6 N	0442079	497	UT 4-HESI/LED 60 (5X20)	3046126	52
UMSTBVK 2,5/11-ST-5,08	1833904	446	UPBV 2,5/1-R GNYE	3045392	410	USLKG 6 N-1	0444048	497	UT 4-MT	3046139	60
UMSTBVK 2,5/11-STF-5,08	1859263	446	UPBV 2,5/2	3045402	408	USLKG 95	0441041	41	UT 4-MT BU	3046278	60
UMSTBVK 2,5/12-G-5,08	1788211	445	UPBV 2,5/3	3045415	408	USLKG16 N-1	0443036	499	UT 4-MT-P/P	3046171	60
UMSTBVK 2,											

Index

Alphabetical

Type	Order No.	Page	Type	Order No.	Page	Type	Order No.	Page	Type	Order No.	Page
UT 4-MTD	3046184	64	UT 6-TG BU	3073856	59	UTWE 6/4+1 BI	3070008	664	ZPV 1,5/2,5 (8/1)	3031047	240
UT 4-MTD BU	3046197	64	UT 6-TG P/P	3073869	59	UTWE 6/5+1	3069049	666	ZRV 8	3025956	241
UT 4-MTD-DIO/L-R	3046210	65	UT 6-TG P/P BU	3073872	59	UTWE 6/6+1	3069051	668	ZRV 8 BU	3029318	241
UT 4-MTD-DIO/R-L	3046236	65	UT 6-TMC M 0,5A	0916603	57	UTWE 6/6+1 BI	3069996	670	ZRV 8-PV	3026007	241
UT 4-MTD-PE	3046223	65	UT 6-TMC M 10A	0916610	57	UTWE 6/8+1	3069064	672	ZRV 8-PV BU	3029321	241
UT 4-MTD-PE/S	3046207	65	UT 6-TMC M 12A	0916611	57	UVKB 4-FS(6-2,8-0,8)	1954016	568			
UT 4-PE	3044128	39	UT 6-TMC M 15A	0916612	57	UVKB 4-FS/FS(8-2,8-0,8)	1953017	569			
UT 4-PE/HEDI	3074004	54	UT 6-TMC M 16A	0916613	57	UXKK 4	2780014	507			
UT 4-PE/HESI (5X20)	3073995	54	UT 6-TMC M 1A	0916604	57						
UT 4-PE/HESI LA 250 (5X20)	3070079	54	UT 6-TMC M 2A	0916605	57						
UT 4-PE/HESI LED 24 (5X20)	3070053	54	UT 6-TMC M 4A	0916606	57						
UT 4-PE/HESI LED 60 (5X20)	3070066	54	UT 6-TMC M 5A	0916607	57						
UT 4-PE/L-DIO/L-R P/P	3046834	55	UT 6-TMC M 6A	0916608	57	VBST 4-FS(6-2,8-0,8)	0852012	570			
UT 4-PE/L-DIO/R-L P/P	3046235	55	UT 6-TMC M 8A	0916609	57	VBSTB 4-FS (6-2,8-0,8)	3070435	570			
UT 4-PE/MT	3070011	55	UT 6/1P	3060539	337	VDE-ISS 6	1201934	31			
UT 4-PE/MT P/P	3046140	55	UT 6/1P BU	3060542	337	VDE-ISS 8	1201947	32			
UT 4-PE/TG	3070024	55	UT 6/1P-PE	3060555	339	VIOK 1,5	2718015	520			
UT 4-PE/TG P/P	3070037	55	UTI 16	3073827	84	VIOK 1,5-2D	2718196	521			
UT 4-QUATTRO	3044571	44	UTI 16 BU	3075728	84	VIOK 1,5-3D/PE	2718206	521			
UT 4-QUATTRO BU	3044584	44	UTI 16-PE	3073830	85	VIOK 1,5-D/TG/D/PE	3011067	521			
UT 4-QUATTRO HV	3048823	45	UTI 2,5-L	3076034	91	VIOK 1,5-LA 24GN/O-MO	2718112	520			
UT 4-QUATTRO HV BU	3048836	45	UTI 2,5-L/L	3076031	91	VIOK 1,5-LA 24RD/O-MO	2718028	520			
UT 4-QUATTRO-MT	3064043	61	UTI 2,5-L/LB	3076033	93	VKK 4-FS	0891015	572			
UT 4-QUATTRO-MT BU	3073050	61	UTI 2,5-L/N	3076035	91	VS	3004207	142			
UT 4-QUATTRO-MT P/P	3064056	61	UTI 2,5-PE/L/L	3076029	91	VS-UK 10,3-HESI N 2POL	3048532	534			
UT 4-QUATTRO-MT P/P BU	3073063	61	UTI 2,5-PE/L/N	3076030	91	VS-UK 10,3-HESI N 3POL	3048409	534			
UT 4-QUATTRO-PE	3044597	45	UTI 2,5-PE/L/NT	3076028	90						
UT 4-QUATTRO-TG	3064027	59	UTI 2,5-PE/L/NTB	3076032	92						
UT 4-QUATTRO-TG BU	3073076	59	UTI 35	3074088	85						
UT 4-QUATTRO-TG P/P	3064030	59	UTI 35 BU	3075731	85						
UT 4-QUATTRO-TG P/P BU	3073089	59	UTI 35-PE	3074091	85						
UT 4-QUATTRO/2P	3060296	341	UTME 4	3047452	69						
UT 4-QUATTRO/2P BU	3060306	341	UTME 4-CT/1P	3057432	73	WS 3-5	0805357	641			
UT 4-QUATTRO/2P-F	3060335	437	UTME 4-P/P	3047453	69	WS 3-6	1004115	641			
UT 4-QUATTRO/2P-PE	3060319	343	UTME 4-P/P BU	3047454	69	WS 3-8	1004128	641			
UT 4-TG	3046142	58	UTME 4/1P	3057416	70	WS 4-5	0805344	641			
UT 4-TG BU	3073283	58	UTME 6	3047400	75	WS 4-6	1004209	641			
UT 4-TG-P/P	3046168	58	UTMED 4	3047465	69	WS 4-8	1004212	641			
UT 4-TG-P/P BU	3073296	58	UTMED 4-PE	3047478	69	WS 4-10	1004225	641			
UT 4-TWIN	3044364	42	UTMED 6	3047413	75	WS 4-12	0805328	641			
UT 4-TWIN BU	3044500	42	UTMED 6-PE	3047442	75	WS 4-15	1004241	641			
UT 4-TWIN HV	3000608	43	UTN 2,5	3245011	86	WS 5-5	0805331	641			
UT 4-TWIN-MT	3046003	61	UTN 4	3245024	87	WS 5-6	1004403	641			
UT 4-TWIN-MT BU	3073018	61	UTN 6	3245037	87	WS 5-8	1004416	641			
UT 4-TWIN-MT P/P	3064014	61	UTN 10	3245040	88	WS 5-10	1004429	641			
UT 4-TWIN-MT P/P BU	3073021	61	UTN 16	3245053	89	WS 5-12	0805315	641			
UT 4-TWIN-PE	3044380	43	UTN 35	3245066	89	WS 5-15	1004445	641			
UT 4-TWIN-TG	3046595	59	UTTB 4	3044814	46	WS UT 10	3047361	485			
UT 4-TWIN-TG BU	3073034	59	UTTB 4 BU	3044791	46	WS UT 16	3047374	485			
UT 4-TWIN-TG P/P	3046605	59	UTTB 4-MT	3044775	67	WS UT 2,5	3047923	485			
UT 4-TWIN-TG P/P BU	3073047	59	UTTB 4-MT P/P	3044762	67	WS UT 35	3047387	485			
UT 4-TWIN/1P	3060267	341	UTTB 4-PE	3044759	47	WS UT 4	3047332	485			
UT 4-TWIN/1P BU	3060270	341	UTTB 4-PV	3044733	46	WS UT 6	3047345	485			
UT 4-TWIN/1P-F	3060322	437	UTTB 4-TG	3044720	66	WS-2K	1004513	461			
UT 4-TWIN/1P-PE	3060283	343	UTTB 2,5	3044636	46	WS-4K	1004584	461			
UT 4/1P	3045583	337	UTTB 2,5 BU	3044649	46	WS-G5/3	2720032	631			
UT 4/1P BU	3045596	337	UTTB 2,5-DIO/O-UL/O-UR	3046689	79	WS-G5/4	2716499	631			
UT 4/1P-F	3060458	437	UTTB 2,5-DIO/O-UL/UR-UL	3046676	79	WST 1,5	3030958	485			
UT 4/1P-PE	3045606	339	UTTB 2,5-BE	3046744	79	WST 10/35	3030006	485			
UT 6	3044131	27	UTTB 2,5-DIO/O-U	3046650	78	WST 2,5	3030941	485			
UT 6 BK	3045208	27	UTTB 2,5-DIO/U-O	3046663	78	WST 4	3030954	485			
UT 6 BU	3044144	27	UTTB 2,5-DIO/UL-UR	3046728	78	WST 6	3030967	485			
UT 6 OG	3045169	27	UTTB 2,5-L/N	3044681	49						
UT 6 RD	3045185	27	UTTB 2,5-LA 230	3046715	79						
UT 6-HESI (6,3X32)	3046401	53	UTTB 2,5-LA 24 RD	3046692	79						
UT 6-HESILA 250 (6,3X32)	3046430	53	UTTB 2,5-LA 60 RD	3046702	79						
UT 6-HESILED 24 (6,3X32)	3046414	53	UTTB 2,5-PE	3044665	47						
UT 6-HESILED 60 (6,3X32)	3046427	53	UTTB 2,5-PE/L	3044678	48						
UT 6-MT	3064069	61	UTTB 2,5-PE/N	3046731	49	ZDMTK 2,5	3005798	251			
UT 6-MT BU	3073267	61	UTTB 2,5-PV	3044652	46	ZDMTK 2,5 BU	3006784	251			
UT 6-MT P/P	3064072	61	UTTB 2,5/2P	3060351	344	ZDMTK 2,5-TWIN	3005808	251			
UT 6-MT P/P BU	3073270	61	UTTB 2,5/2P BU	3060364	344	ZFK 6-DREHSI (5X20)	3025040	245			
UT 6-PE	3044157	39	UTTB 2,5/2P-F	3060474	437	ZFK 6-DREHSI (6,3X32)	3025273	245			
UT 6-QUATTRO/2P	3060568	341	UTTB 2,5/2P-PE	3060380	345	ZFK 6-DREHSI/K (5X25)	3029457	245			
UT 6-QUATTRO/2P BU	3060571	341	UTTB 2,5/2P-PV	3060377	345	ZFK 6-DREHSILA 250 (5X20)	3025590	245			
UT 6-QUATTRO/2P-F	3060843	437	UTTB 2,5/2P-PV BU	3060487	345	ZFK 6-DREHSILA 250 (6,3X32)	3025574	245			
UT 6-QUATTRO/2P-PE	3060584	343	UTTB 4 HV	3000610	47	ZFK 6-DREHSILED 24 (5X20)	3025600	245			
UT 6-T-HV	3070134	76	UTTB 4-MT P/P LA 24 RD/O-U	3046773	67	ZFK 6-DREHSILED 24 (6,3X32)	3025587	245			
UT 6-T-HV P/P	3070121	76	UTWE 6/12+1	3069077	674	ZFKK 2,5-MT	3025011	250			
UT 6-TG	3046485	59	UTWE 6/4+1	3069048	662	ZFKK 2,5-MT BU	3022221	250			

V

W

Z

