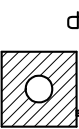
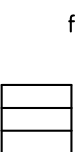




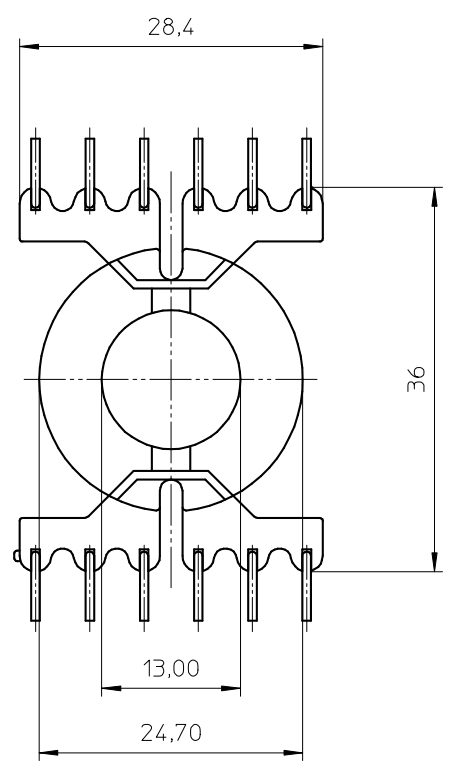
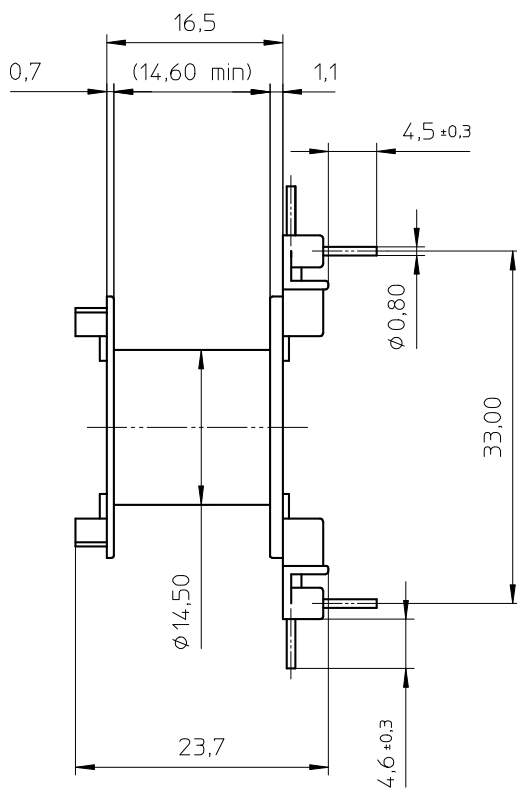
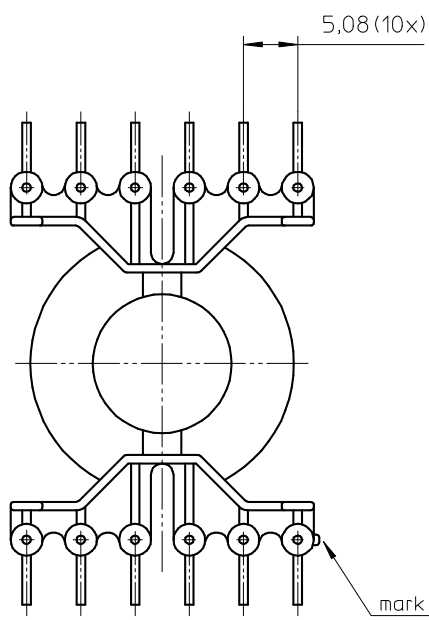
c



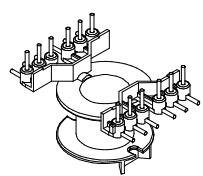
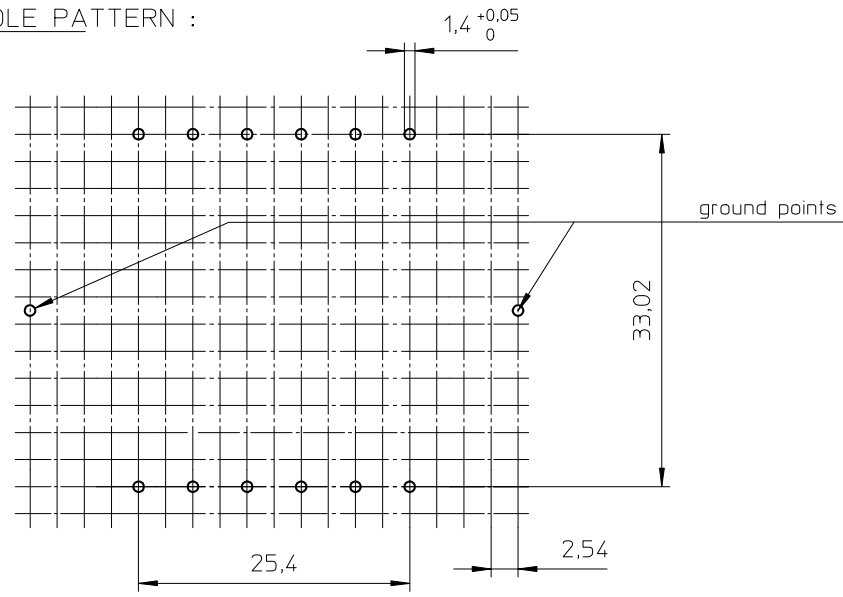
e



1 2 3 4 5 6 7 8



PROPOSED
HOLE PATTERN :



- Coil former material: Rynite FR 530 (PET), glass-reinforced.
UL file number: E69578 - UL94V-0.
- Pin material: Copper-plated steel wire - Sn plated.
- Max. operating temp.: acc. to IEC 60 085 class F, 155°C.
- Resistance to soldering heat: acc. to IEC 60 068-2-20 Part 2, Test Tb, method 1B, 350°C-3.5s
- Solderability: acc. to IEC 60 068-2-20 Part 2, Test Ta, method 1, 235°C-2s
- Min. winding area: 75 mm².
- Mean length of turn: 61 mm.

CLASSNO.		CPV-RM12/I-1S-12PD-TZ		4322 021 06671		2007-02-06		2007-11-29	
NAME NAAM	A.Woitasz	SUPERS. VERV.		001	SPSH BL	112 - 001	010	A3	
MPA	CHECK CONTR.	DAT.	2007-02-06	Property of Eigenaam van		© FERROXCUBE 2007			

1 2 3 4