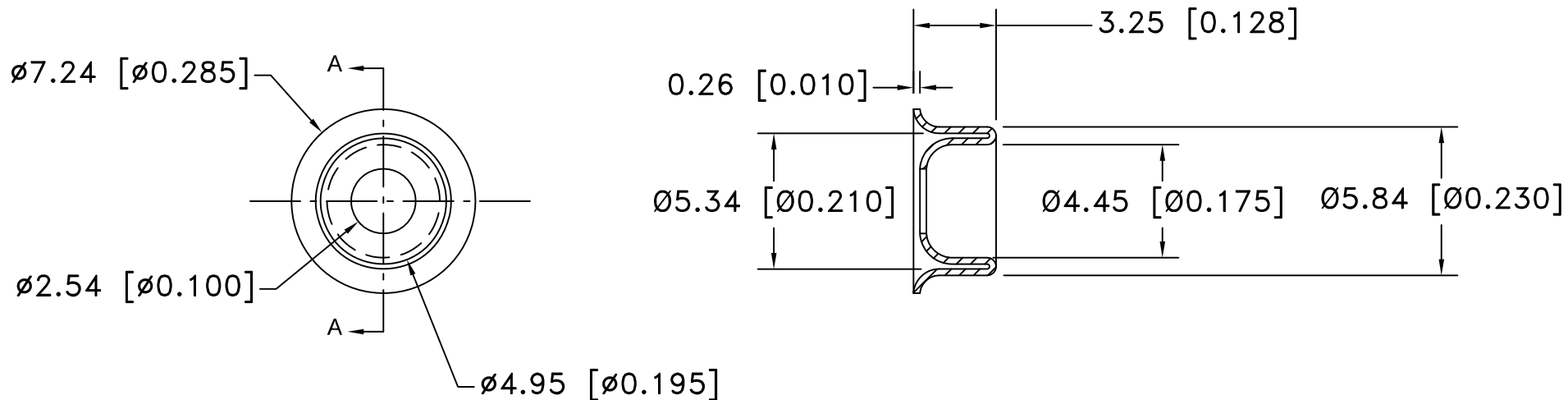



Date	SYM	REVISION RECORD	AUTH	DR.	CK.
4/15/06	A	ADDED "ROHS COMPLIANT"	T.B.	B.S.	
7/11/14	B	UPDATED TO ROHS 2 COMPLIANT	T.B.	B.S.	



NOTES:

MATERIAL: BRASS, NICKEL PLTD.
ROHS 2 COMPLIANT

Tolerance (Except as noted)	 Memory Protection Devices, Inc 200 Broad Hollow Road, Farmingdale, New York 11735	Scale	Drawn By B.S.
			Approved By T.B.
decimal ±.5 (.020)	Title BATTERY SNAP MALE	Date 7/11/14	Drawing Number BSM
Fractional ± .8 (.030)			
Angular ± 3°			