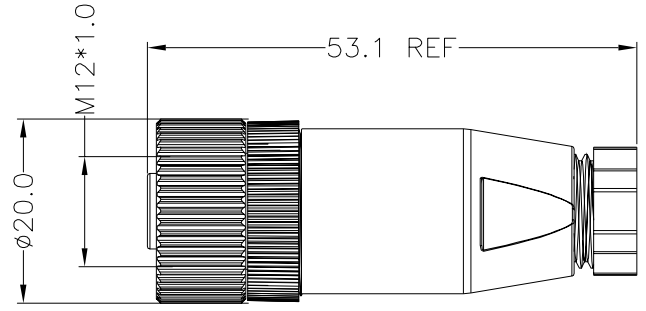


NOTE:

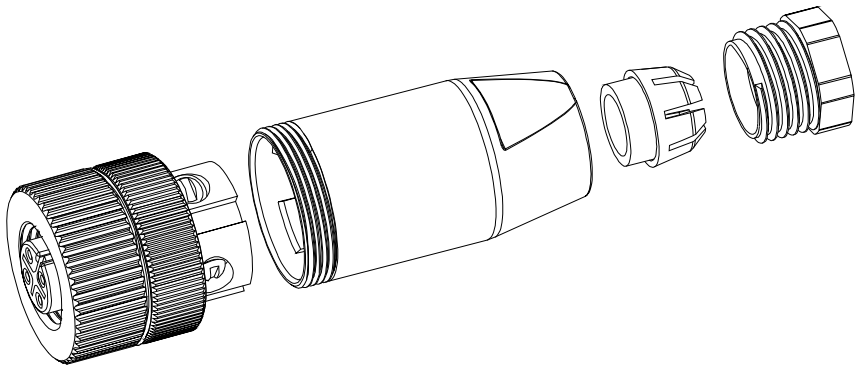


MATERIAL	
M12 INSULATOR	PA66, UL94V-0, BLACK
CABLE NUT/GROMMET/SHELL	PA66, UL94V-0, BLACK
CONTACT	GOLD FLASH PLATED BRASS
MATING NUT	NICKEL PLATED BRASS

ELECTRICAL	
RATED CURRENT	2A(8P) / 4A(4/5P)
VOLTAGE	30V(8P) / 60V(5P) / 250V(4P)
INSULATOR RESISTANCE	100 MOhms MIN.
CONTACT RESISTANCE	10 mOhms MAX.
MATING CYCLES	100 CYCLES MIN

ENVIRONMENT	
OPERATION TEMPERATURE	-40°C TO +85°C
IP RATING	IP66

RECOMMENDED TORQUE 0.4Nm TO 0.8Nm



858FYYY-203RAU1

SERIES _____
 858F = M12 FIELD INSTALLABLE
 CONTACT ARRANGEMENT _____
 A04 = 4P A-CODE
 A05 = 5P A-CODE
 A08 = 8P A-CODE
 D04 = 4P D-CODE
 B05 = 5P B-CODE
 GENDER _____
 2 = FEMALE
 CABLE OD _____
 A = 4mm-6mm OD
 CONTACT PLATING _____
 1 = GOLD FLASH

FEMALE

A04	A05	A08	D04	B05

RoHS COMPLIANT



THESE DRAWINGS AND SPECIFICATIONS ARE THE PROPERTY OF NorComp AND SHALL NOT BE REPRODUCED, COPIED OR USED AS THE BASIS FOR THE MANUFACTURE OR SALE OF APPARATUS WITHOUT WRITTEN PERMISSION.

DRAWN: J. KADEL
 DATE: 02/04/2022

UNITS = mm

DO NOT SCALE FROM DRAWING



SCALE: NTS	SHEET 1 OF 1	REV 1
DWG NO. 858FYYY-203RAU1		