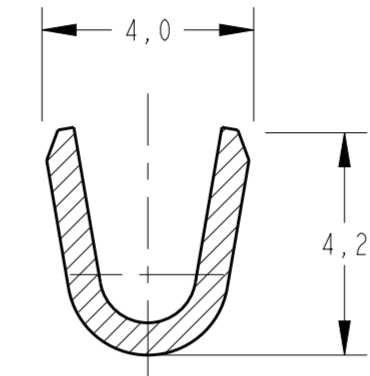
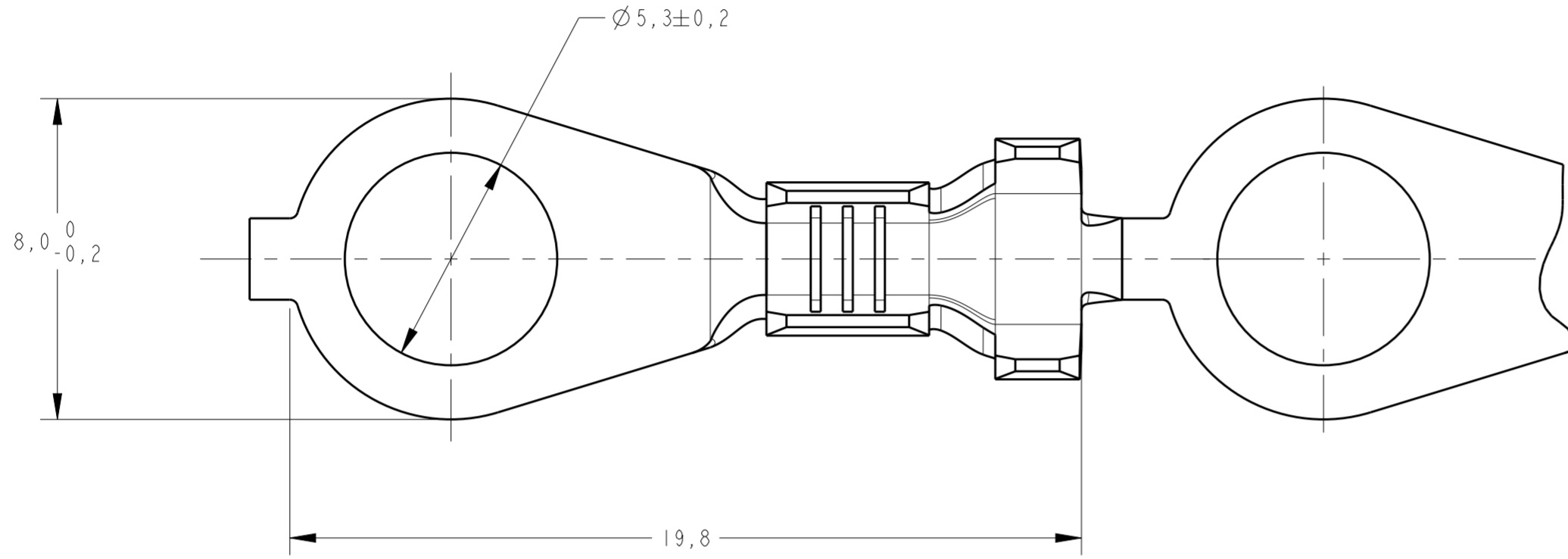


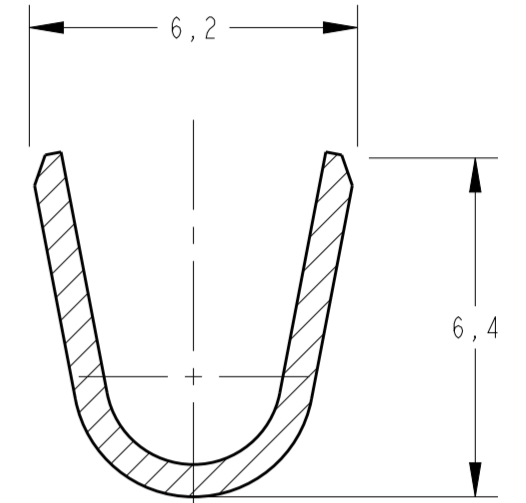
THIS DRAWING IS UNPUBLISHED. RELEASED FOR PUBLICATION 20  
 © COPYRIGHT 20 BY - ALL RIGHTS RESERVED.

**creo**  
 Creo Parametric 2.0  
**DO NOT REVISE  
 EXCEPT BY CAD**

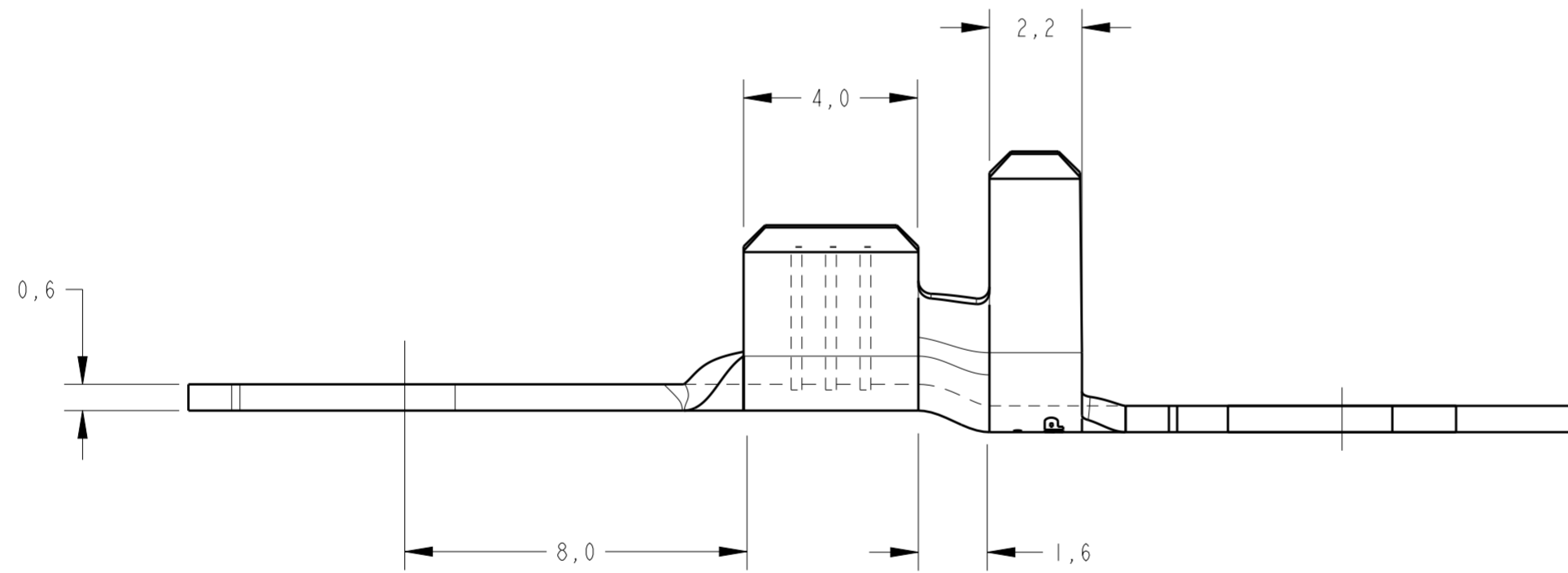
REVISIONS					
P	LTR	DESCRIPTION	DATE	DWN	APVD
B5		REV. BY ECO 17-017464	28NOV2017	HC	RK



SECTION A-A  
 SCALE 7:1

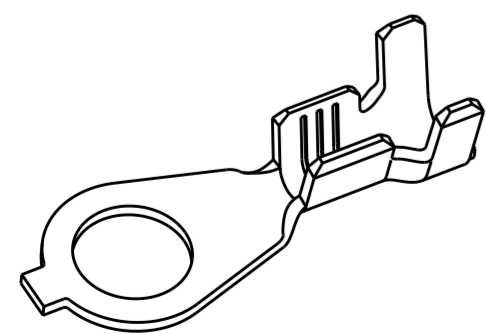


SECTION B-B  
 SCALE 7:1



I - REBOBINAR INTERCALANDO COM PAPEL.  
 - REELING WITH PAPER-INTERLEAVE

<b>OBSOLETE</b>	ESTANHADO / TIN PLATED	LATÃO / BRASS	880643-6
<b>OBSOLETE</b>	NIQUELADO / NICKEL PLATED	LATÃO / BRASS	880643-5
<b>OBSOLETE</b>	ESTANHADO / TIN PLATED	BRONZE FOSF./PHOSP.BRONZE	880643-4
<b>OBSOLETE</b>		BRONZE FOSF./PHOSP.BRONZE	880643-3
	ESTANHADO / TIN PLATED	LATÃO / BRASS	880643-2
		LATÃO / BRASS	880643-1
	FINISH	MATERIAL	PART NUMBER



PERSPECTIVE VIEW  
 SCALE 3:1

INS. DIA. RANGE	2,7-4,0mm
WIRE RANGE	>1,0-2,5mm <sup>2</sup>

THIS DRAWING IS A CONTROLLED DOCUMENT.		DWN	NCLAPRESA	10DEC2014	 TE Connectivity		
DIMENSIONS:		CHK	FEFORTUNATO	10DEC2014			
mm		APVD	LWPRADO	10DEC2014			
		PRODUCT SPEC		NAME			
TOLERANCES UNLESS OTHERWISE SPECIFIED:		APPLICATION SPEC		SIZE	CAGE CODE	DRAWING NO	RESTRICTED TO
0 PLC	±	-		A2	-	C-880643	-
1 PLC	±0,3	-		WEIGHT		Customer Drawing	SCALE 7:1
2 PLC	±	-		SHEET		1	OF
3 PLC	±	-		REV		B5	
4 PLC	±	-					
ANGLES	±°	-					
FINISH	-	-					