

SCNRF - 6A AP - SAFR

SUNTSU

CONNECTOR

RF

MAXIMUM FREQUENCY
6 GHz

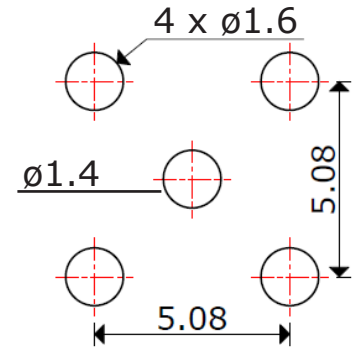
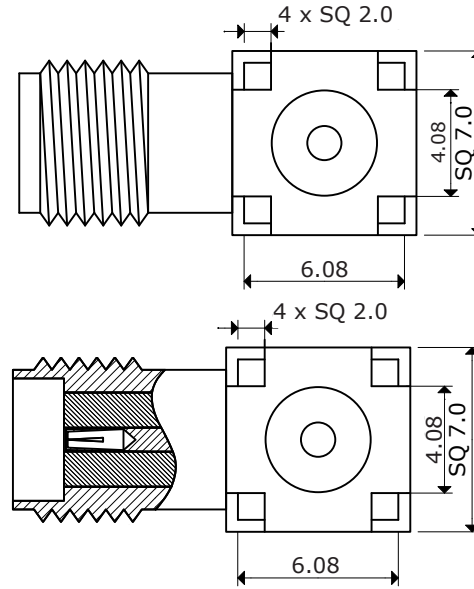
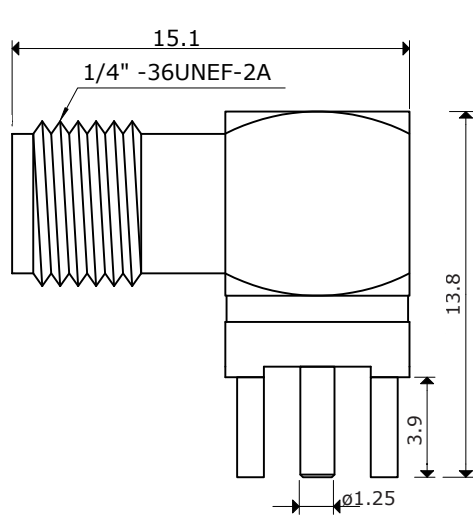
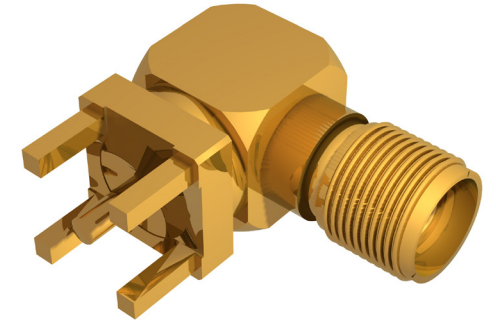
IMPEDANCE
50Ω

MOUNT TYPE
PCB
Through Hole

CONNECTOR TYPE
SMA

GENDER
Female

ORIENTATION
Right Angle



**Recommended
Mounting
Layout**

Impedance: 50Ω
 Frequency Range: 0GHz - 6GHz
 Voltage Standing Wave Ratio (VSWR): 1.5 MAX
 Working Voltage: 170 Vrms MAX
 Dielectric Withstanding Voltage: 500 Vrms MAX
 Operating Temperature: -55°C to 85°C
 Storage Temperature: -60°C to 165°C
 Center Contact Resistance: 3 mΩ MAX
 Outer Contact Resistance: 2 mΩ MAX
 Insulation Resistance: 2000 MΩ MIN



SMA PCB MOUNT FEMALE RIGHT ANGLE CONNECTOR

Document History				Part No.	REV.	Drawn	Page
Edits Made	Date	Edited By	Approved By	SCNRF-6AAP-SAFR	A	B. Gibbons	02/02/2021
Initial Release	02/02/2021	B. Gibbons	KH Mun			Drawing No.	Checked
				Tolerance	None	Approved	1 / 1
					mm		