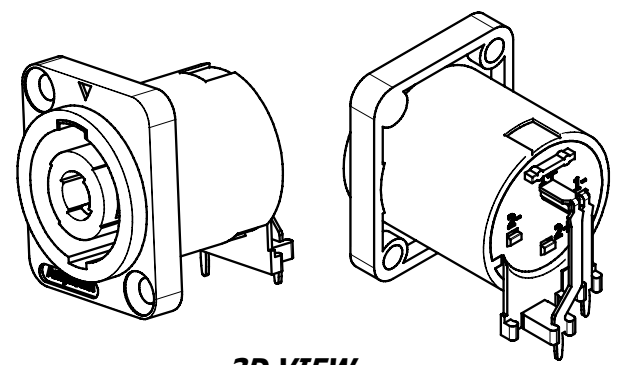
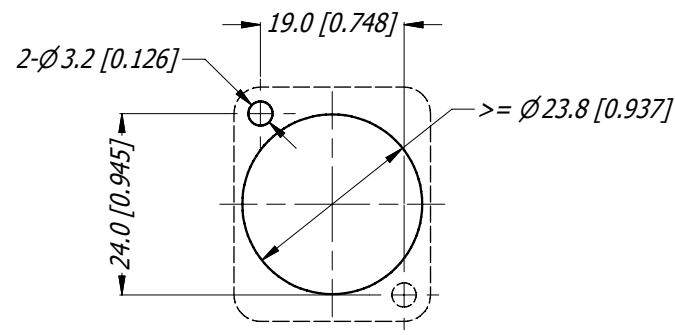
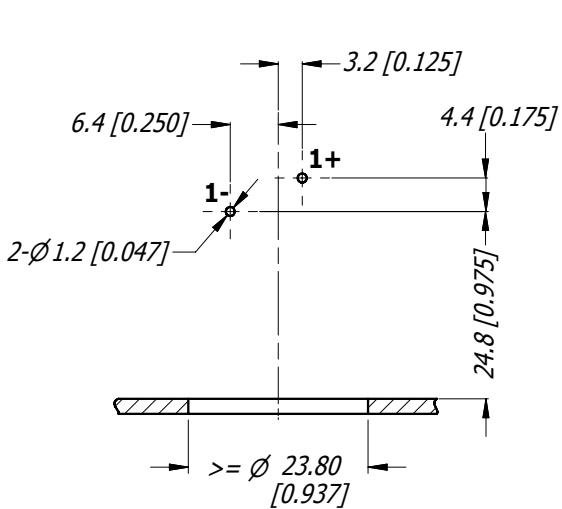
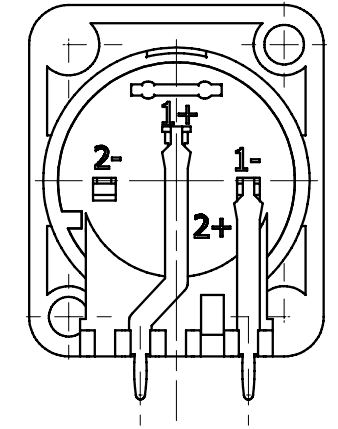
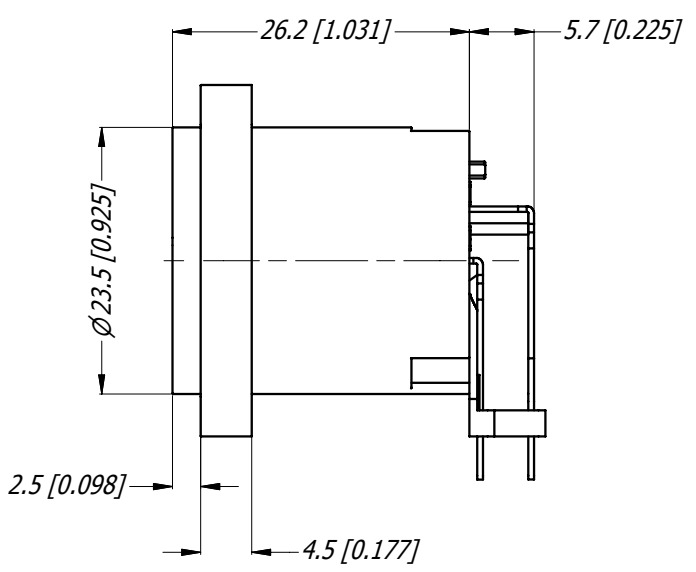
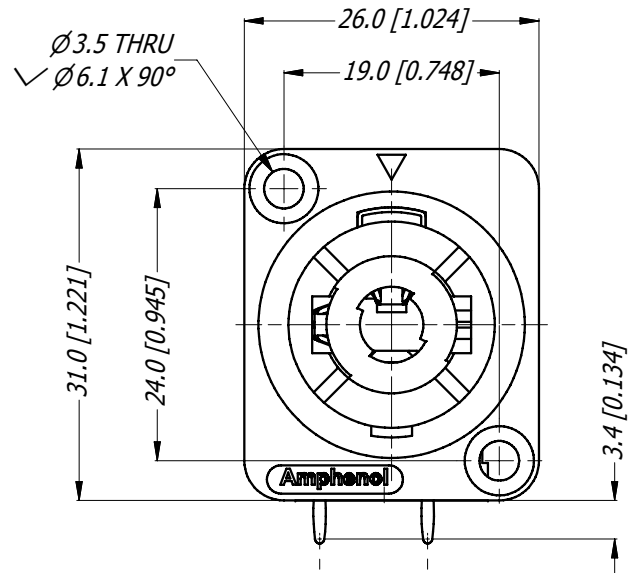


LEGEND  = KEY PRODUCT CHARACTERISTICS

REVISION HISTORY				
REV	DESCRIPTION	BY	DATE	ECN
0	FIRST ISSUE	H.H	14/02/11	8990



**PANEL CUTOUT (1 : 1)**

**3D VIEW**

**PCB LAYOUT (1 : 1)**

UNLESS OTHERWISE SPECIFIED TOLERANCE TO BE		THIS DOCUMENT IS THE PROPERTY OF AMPHENOL AUSTRALIA PTY. LTD. NO PART THEREOF MAY BE REPRODUCED AND USED WITHOUT THE PRIOR WRITTEN CONSENT OF THE OWNER			
LINEAR	ANGULAR	MATERIAL:	DRN:	DATE:	TITLE: <b>SP SERIES CONNECTOR LOUDSPEAKER 2 POLE, HORIZONTAL PCB</b>
X ± 0.5 X.X ± 0.1 X.XX ± 0.05	X° ± 1 X.X° ± 30° X.XX° ± 15°	<b>REFER TO COMPONENTS</b>	HH	10/02/11	
DO NOT SCALE		FINISH:	CKD:	DATE:	DRAWING No. <b>55010736-000-2</b>
BREAK ALL SHARP EDGES AND REMOVE ALL BURRS			TN	14/02/11	
DIMENSIONS IN MILLIMETRES		APP'D:	PM	DATE:	SHEET
				14/02/11	<b>2/2</b>
		THIRD ANGLE PROJECTION		SCALE: <b>3:2</b>	CAD FILE: 55010736000210
				SIZE: <b>A4</b>	

<b>Amphenol</b>		Amphenol Australia Pty.Ltd, 2 Fiveways Blvd, Keysborough, VIC 3173	
		PART No. <b>SP-2-MDH</b>	
		DRAWING No. <b>55010736-000-2</b>	
		SHEET <b>2/2</b>	