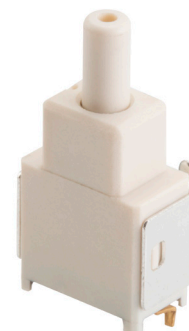


**SERIES:** MPB06 | **DESCRIPTION:** MINI PUSH BUTTON SWITCH**FEATURES**

- single pole
- surface mount
- tape and reel

**SPECIFICATIONS**

parameter	conditions/description	min	typ	max	units
rated voltage				28	Vdc
rated current				14	mA
withstanding voltage	for 1 minute		500		Vac
contact resistance				50	mΩ
insulation resistance	at 500 Vdc	500			MΩ
operating force		150	250	350	gf
actuator travel			1.1		mm
operating temperature		-25		80	°C
life			20,000		cycles
flammability rating	see material table				
RoHS	yes				

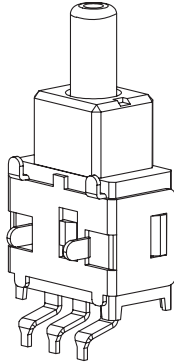
**PART NUMBER KEY****MPB06 - 1 X XX - R - SMT - TR**

Base Number

Circuit Type:  
C = SPDT: ON-(ON)Actuator Height:  
00 = Flush  
33 = 3.3 mm  
54 = 5.4 mm

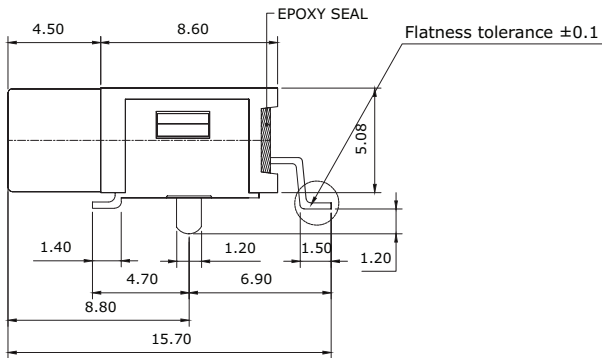
## MECHANICAL DRAWING (SPDT CIRCUIT)

units: mm  
tolerance:  $\pm 0.3$  mm  
unless otherwise noted

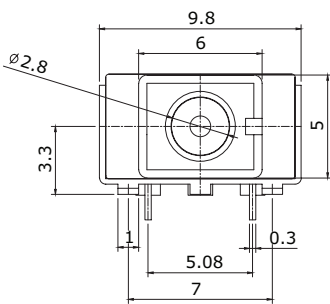
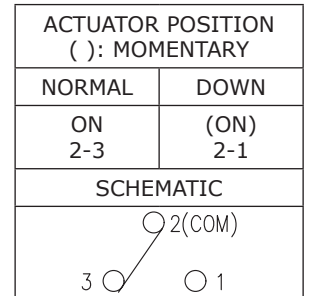
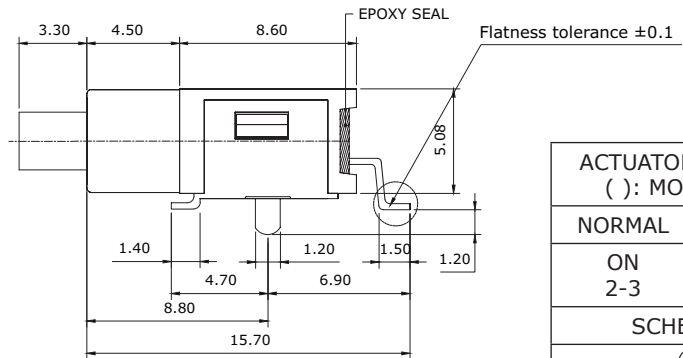


ITEM	DESCRIPTION	MATERIAL	PLATING/COLOR
1	actuator	PA46 (UL94V-0)	white
2	housing	PA46 (UL94V-0)	white
3	terminals	brass	gold
4	bracket	phosphor bronze	tin

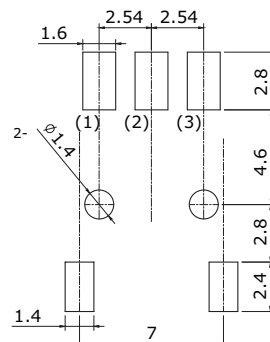
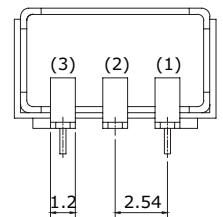
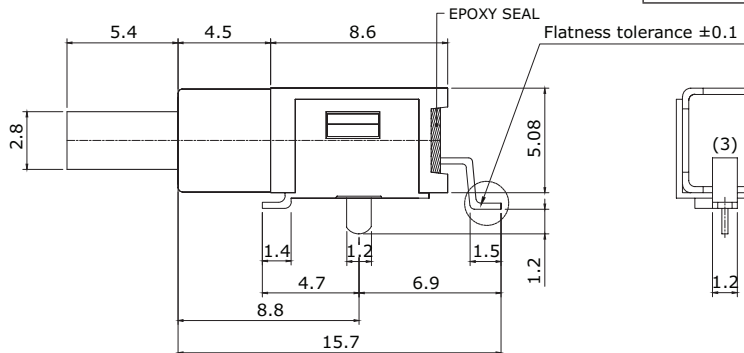
### FLUSH ACTUATOR



### 3.3 MM ACTUATOR



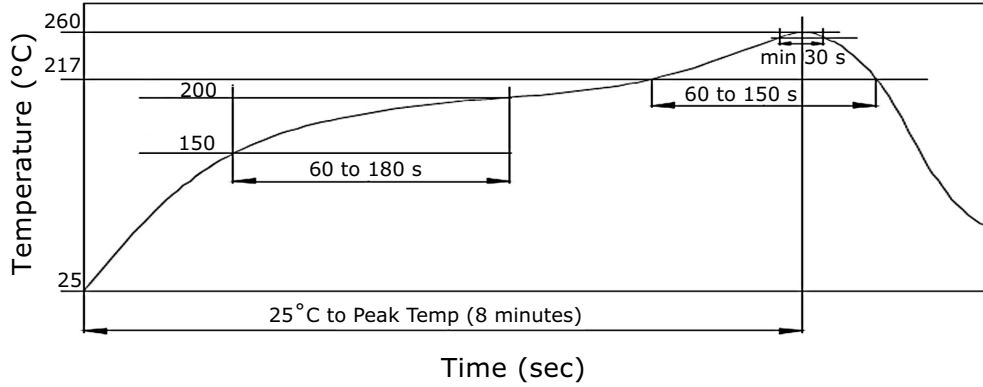
### 5.4 MM ACTUATOR



Recommended PCB Layout  
Top View

## SOLDERABILITY

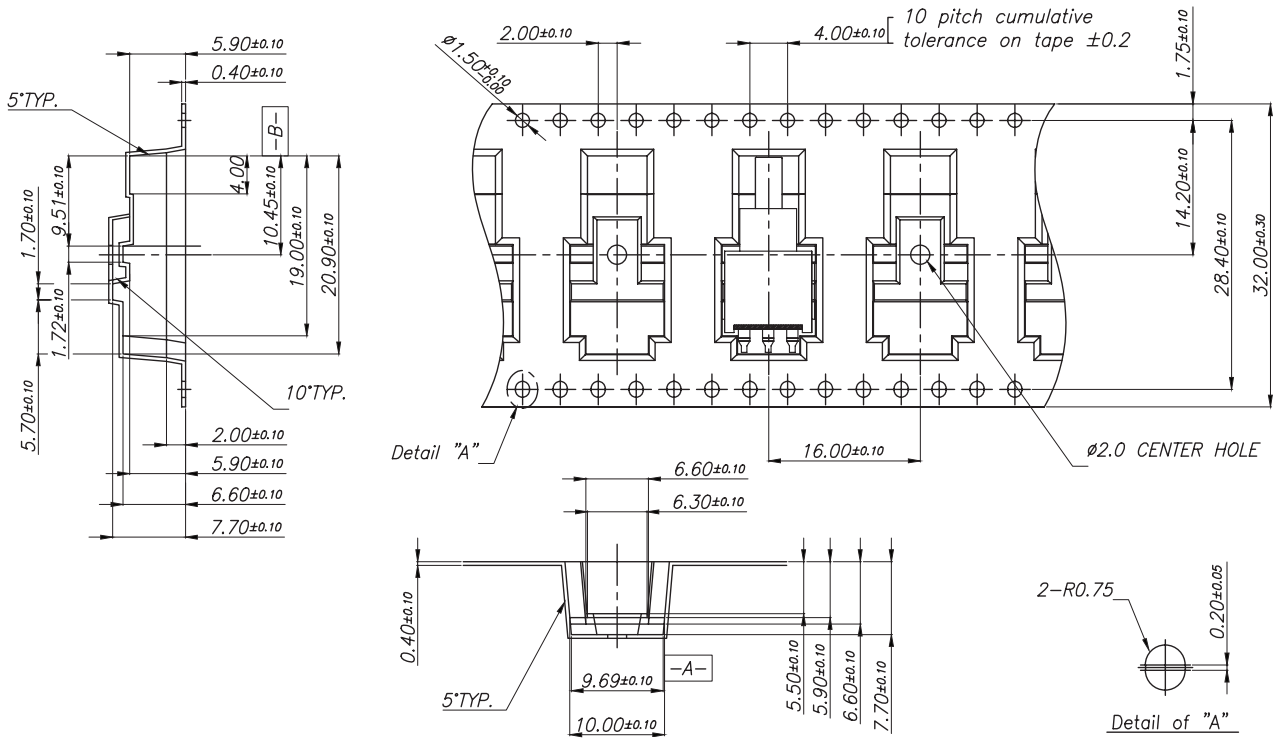
parameter	conditions/description	min	typ	max	units
reflow soldering		255		260	°C



## PACKAGING

units: mm

QTY: 500 pcs



## REVISION HISTORY

---

rev.	description	date
1.0	initial release	06/03/2021

The revision history provided is for informational purposes only and is believed to be accurate.

---

# CUI DEVICES

CUI Devices offers a one (1) year limited warranty. Complete warranty information is listed on our website.

CUI Devices reserves the right to make changes to the product at any time without notice. Information provided by CUI Devices is believed to be accurate and reliable. However, no responsibility is assumed by CUI Devices for its use, nor for any infringements of patents or other rights of third parties which may result from its use.

CUI Devices products are not authorized or warranted for use as critical components in equipment that requires an extremely high level of reliability. A critical component is any component of a life support device or system whose failure to perform can be reasonably expected to cause the failure of the life support device or system, or to affect its safety or effectiveness.