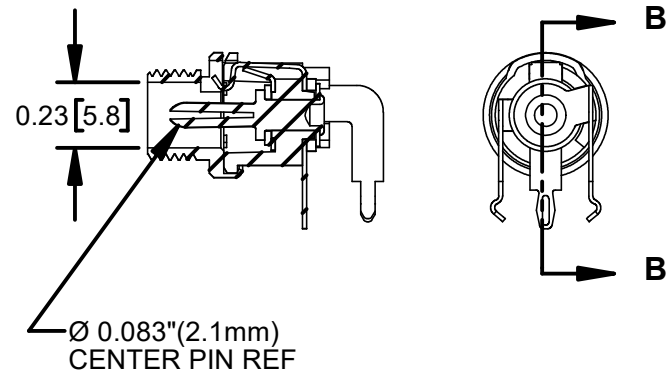
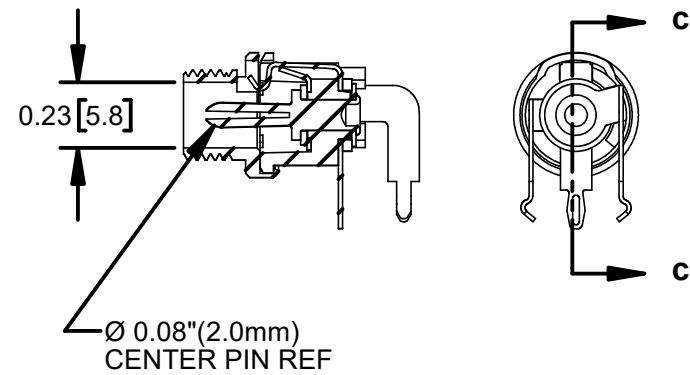


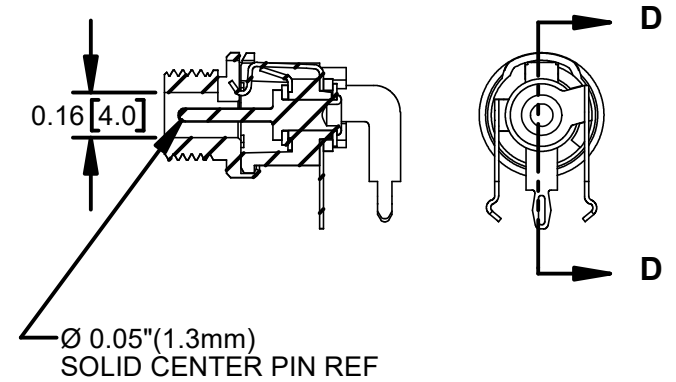
**712RALP**



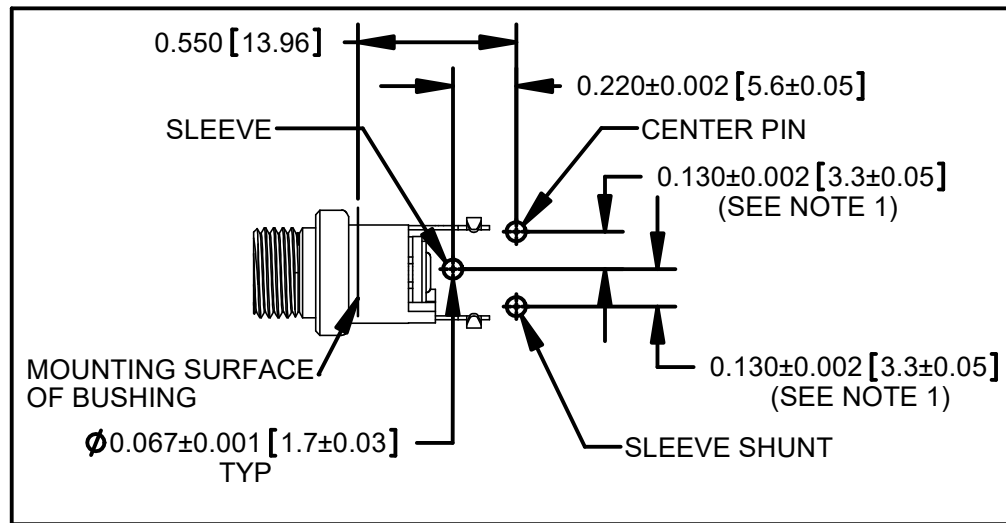
**721RALP**



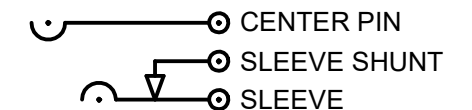
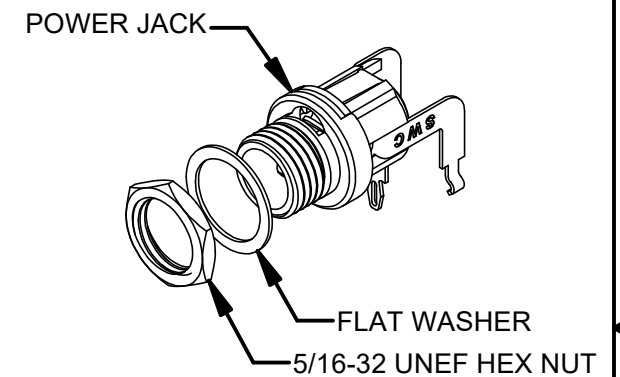
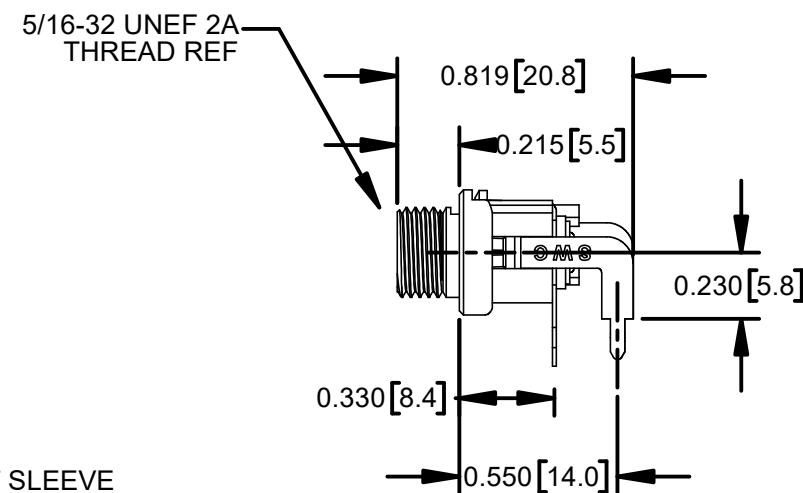
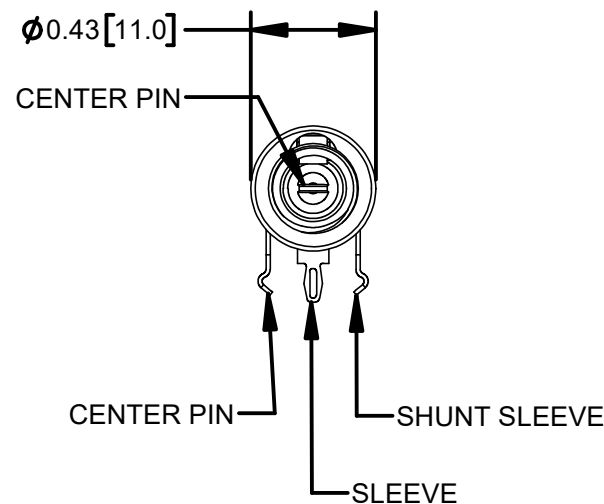
**722RALP**



**732RALP**



**RECOMMENDED PCB LAYOUT  
(COMPONENT SIDE)**



**SCHEMATIC**

**NOTES:**

- FOR HAND INSERTION USE SPACING 0.130 [3.30]  
FOR AUTOMATED INSERTION USE SPACING 0.135 [3.43]
- DIMENSIONS SHOWN FOR REFERENCE ONLY.
- HEX NUT AND FLAT WASHER SUPPLIED UNASSEMBLED.
- MATERIAL:  
HOUSING, HEX NUT - COPPER ALLOY, NICKEL PLATED  
INSULATOR HOUSING - THERMOPLASTIC  
TERMINAL INSULATORS - PHENOLIC  
FLAT WASHER - STEEL, NICKEL PLATED  
PIN, SPRING, TERMINALS - COPPER ALLOY, SILVER PLATED
- THESE PRODUCTS ARE RoHS COMPLIANT

**PRELIMINARY**

**CUSTOMER DRAWING**

					THIS DRAWING DESCRIBES A DESIGN CONSIDERED PROPRIETARY IN NATURE, DEVELOPED AND MANUFACTURED BY SWITCHCRAFT INC. AND IS RELEASED ON A CONFIDENTIAL BASIS FOR IDENTIFICATION PURPOSES ONLY.				
UNLESS OTHERWISE SPECIFIED					SIZE *	WIDTH *	MULT *	LBS/M *	TEMPER *
1. ALL DIMENSIONS IN INCHES					FINISH *			MATERIAL *	
- TWO PLACE DECIMALS ±0.02					SPEC No. *			SPEC No. *	
- THREE PLACE DECIMALS ±0.005					FIRST USED ON *		SCALE 3:2		
0A	P-20009-1	4-16-2020	SRC	SRC	DATE DRAWN	BY	CHKD	APVD	<b>Switchcraft</b> SHEET 1 OF 1
REV	ECO NUMBER	DATE	BY	APVD	4-16-2020	SRC	*	*	
REVISIONS					NAME POWER JACKS 712RALP, 721RALP 722RALP, 732RALP, RoHS				
DO NOT SCALE DRAWING					PART No. 7__RALP SERIES			REV 0A	