

# Connector Solutions M40 Series

STEP 1  
Choose Plug

STEP 2  
Choose Receptacle

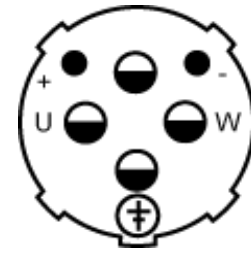
STEP 3  
Choose Backshell/Cord Grip

See page 20 for connector configurations

## Plugs



## Receptacles



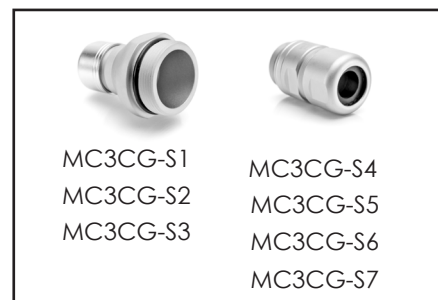
## Receptacle Extension



## FlexGrip™ Backshell System



## Cord Grips



## Connector Part Numbers

Part Number	Connector Type	Contact Type male = pin female = socket	Figure Drawings
MC1CJN0600	Plug, straight, threaded	Socket	1
MC1JJN0600	Receptacle extension, straight, threaded	Pin	2
MC1NJN0600	Receptacle, 90° fixed, threaded	Pin	3
MC1LKN0600	Receptacle, straight, threaded	Pin	4

Contacts supplied separately, see page 256

## Cord Grips and Backshells

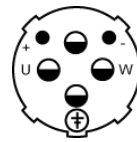
Part Number	Type	Cable Range (mm)	Figure Drawings
MC4FSR-C18.5*	Flex Grip™ backshell	17.5-18.5mm	5
MC3CG-S1	Cord grip	10.0-12.0mm	6
MC3CG-S2	Cord grip	12.0-14.5mm	6
MC3CG-S3	Cord grip	14.0-17.0mm	6
MC3CG-S4	Cord grip	17.0-19.0mm	7
MC3CG-S5	Cord grip	19.0-21.0mm	7
MC3CG-S6	Cord grip	21.0-23.0mm	7
MC3CG-S7	Cord grip	23.5-25.5mm	7

\*Must be potted to achieve IP67 ratings.

**BULK CABLE starts on page 23**

SEE TABLE ON NEXT PAGE FOR PART DETAILS

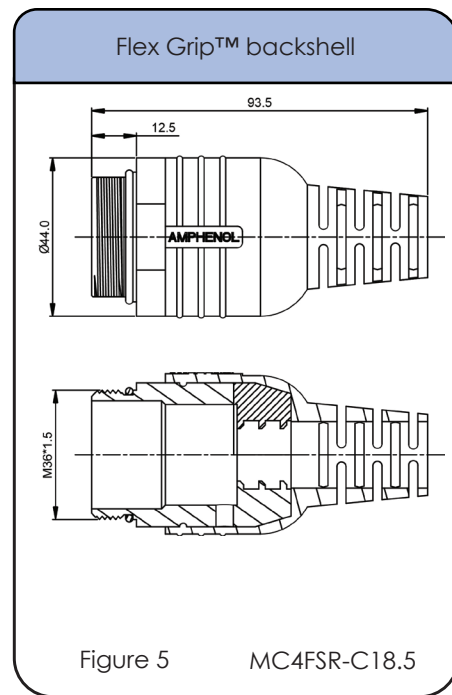
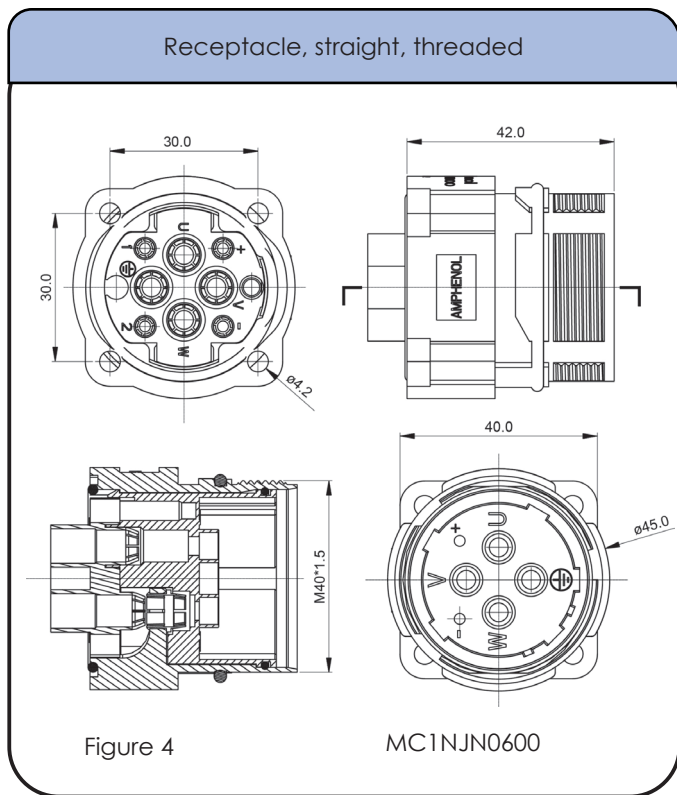
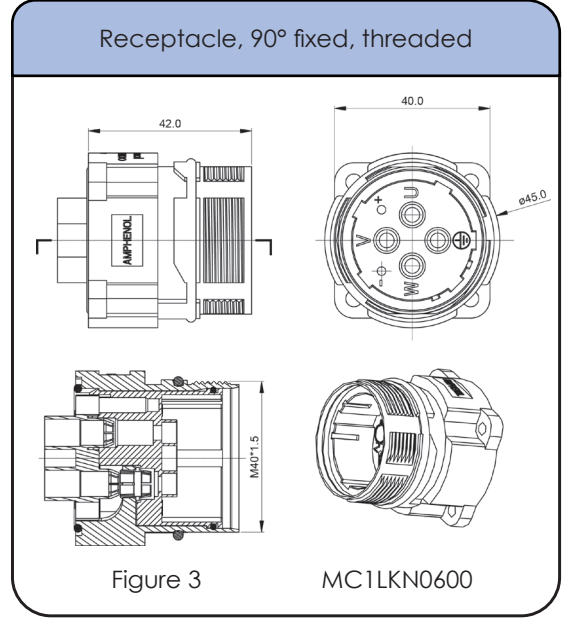
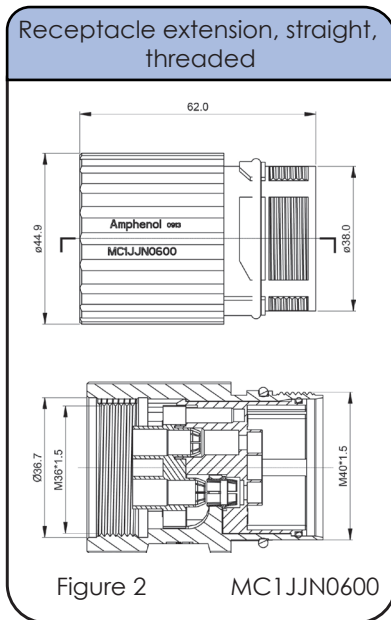
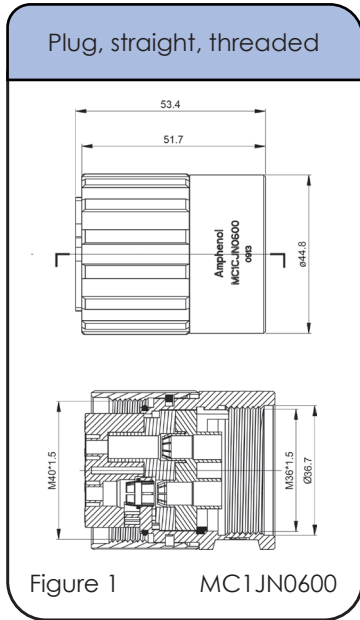
CONTACTS SOLD SEPARATELY SEE PAGE 228



**6 (4+2) POSITIONS**  
**Power 75A/ 630V**  
**Signal 30A/ 250V**  
**Threaded**

**Number of Contacts: 6 (4+2)    Contact Sizes: 2.0mm, 3.6mm    Sealing: IP66/67**  
**AWG: 18-14 (0.75 - 2.5 mm<sup>2</sup>) 12-8 (4.0 - 10.0 mm<sup>2</sup>)**

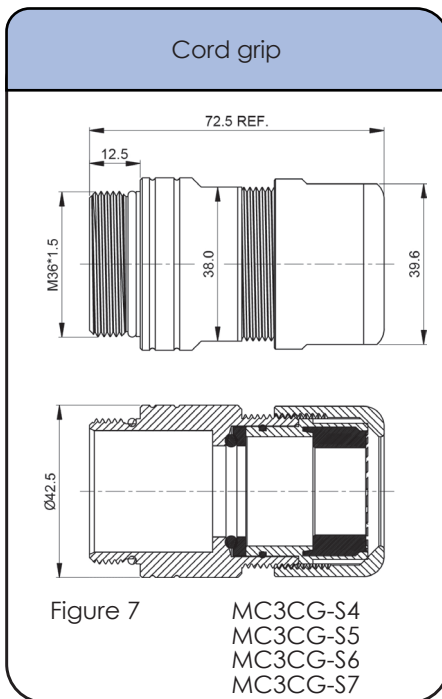
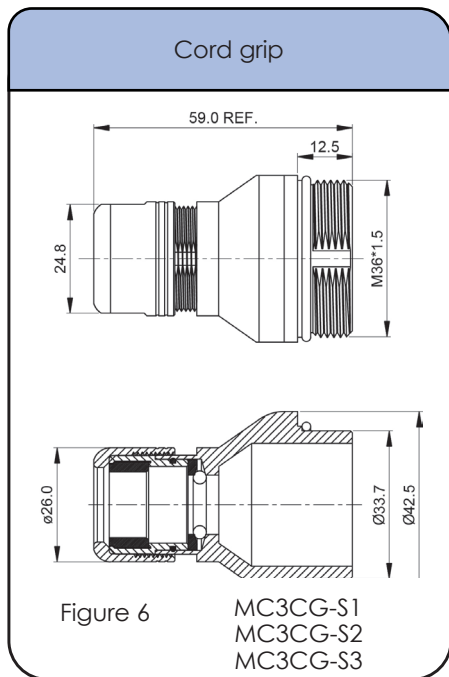
### Dimensions Plug / Cable Connector / Receptacles



Complete datasheets can be found at [www.amphenol-sine.com](http://www.amphenol-sine.com)

**Number of Contacts: 6 (4+2)    Contact Sizes: 2.0mm, 3.6mm    Sealing: IP66/67**  
**AWG: 18-14 (0.75 - 2.5 mm<sup>2</sup>) 12-8 (4.0 - 10.0 mm<sup>2</sup>)**

## Dimensions Cord Grips



## Contacts



### Crimp Contacts, Machined

Part Number	Size	Pin/Socket	AWG	mm <sup>2</sup>	Plating
SC000040	2.0mm	Pin	18-14	0.75 - 2.5	Gold
SC000041	3.6mm	Pin	12-8	4.0 - 10.0	Gold
SC000045	2.0mm	Socket	18-14	0.75 - 2.5	Gold
SC000046	3.6mm	Socket	12-8	4.0 - 10.0	Gold

Complete datasheets can be found at [www.amphenol-sine.com](http://www.amphenol-sine.com)



**6 (4+2) POSITIONS**  
**Power 75A/ 630V**  
**Signal 30A/ 250V**  
**THREADED**

**Number of Contacts: 6 (4+2)    Contact Sizes: 2.0mm, 3.6mm    Sealing: IP66/67**  
**AWG: 18-14 (0.75 - 2.5 mm<sup>2</sup>) 12-8 (4.0 - 10.0 mm<sup>2</sup>)**

## Tools

<p>Extraction tool. Used for removal of 2.0mm (#14) contacts from inserts.</p>  <p>50-54931-2</p>	<p>Extraction tool. Used for removal of 3.6mm (#8) contacts from inserts.</p>  <p>50-54931-3</p>	<p>Universal hand crimp tool. Uses universal positioner part no. UH2-5. Wire crimp range 12-26AWG</p>  <p>AF8</p>
<p>Universal positioner is used with the universal hand crimp tool (AF8). Wire range 12-26AWG</p>  <p>UH2-5</p>	<p>Pneumatic crimp tool. Uses universal positioner part no. WA23-101DA</p>  <p>WA23</p>	<p>Pneumatic crimp tool. Uses universal positioner part no. UH2-5. Wire range 12-26WG</p>  <p>WA27F</p>
<p>Die Assembly, Size 10, is used with the Pneumatic crimp tool. WA23</p>  <p>WA23-101DA</p>	<p>Hand Crimp tool. Uses MFX-3966 crimp locator</p>  <p>M300-25A</p>	<p>Crimp Locator 3.6mm Power contact adjustable. Used with WA23 Crimp tool</p>  <p>MFX-3961</p>
<p>Contact Locator Tool</p>  <p>MFX-3966</p>		

\* The universal positioner is not included with the crimp tools and must be ordered separately.