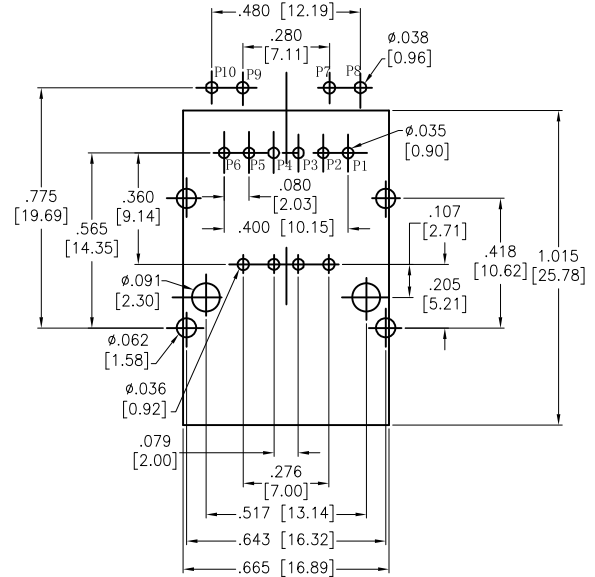
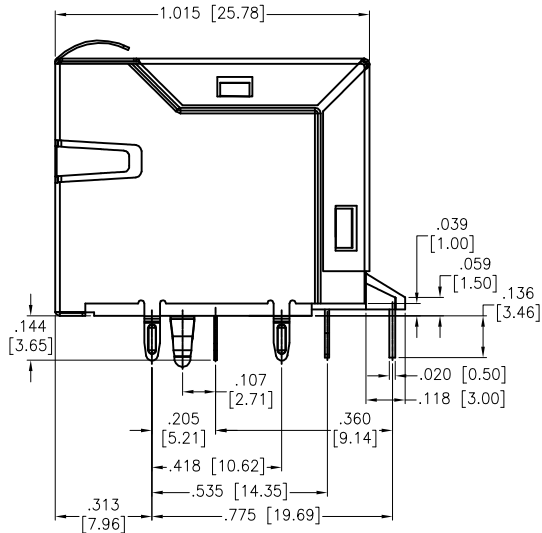
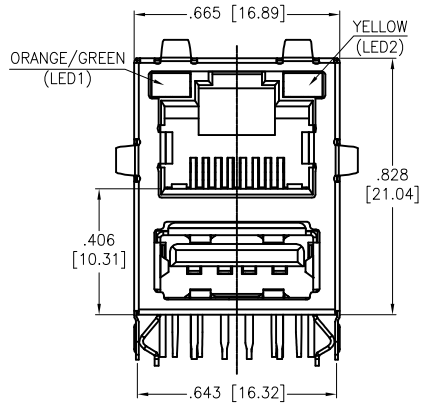


APPROVED: _____
 DATE: _____ TITLE: _____

Rev	AWO #	Description	Date	Appr
-	9785	RELEASED	10/16/09	
A		REDRAWN	02/17/12	
B		REVISED SHAPE & SPEC.	1/2/13	



SPECIFICATIONS:

Material:
 Insulator: PBT, glass reinforced , thermoplastic, rated UL 94V-0
 Insulator color: Black
 Contacts: Phosphor Bronze
 Shield: Copper Alloy, Nickel plated
Plating:
 Round contact
 Gold over Nickel underplate overall
 Flat contact
 Gold over Nickel underplate on contact area,
 Tin over Nickel underplate on solder tails
 (See chart for thickness)
Electrical:
 RJ45:
 Insulation Resistance: 500M ohm Min
 Dielectric Withstanding Voltage: 1000VAC Min
 USB:
 Contact Current Rating: 1.5A Max
 Contact Resistance: 30m ohm Max
 Insulation Resistance: 1000M ohm Min
 Dielectric Withstanding Voltage: 500VAC Min
 Temperature Rating:
 Operating temperature: 0°C to +70°C
Environmental:
 Lead free, RoHS compliant.



X	PLATING
0	15 µin Gold
1	30 µin Gold
2	50 µin Gold
6	6 µin Gold

APPROVALS		DATE
DRAWN	DY	10/16/09
CHECKED		
APPROVED		

ADAM TECH
 909 Rahway Avenue, Union, NJ 07083
 Phone: 908-687-5000 Fax: 908-687-5710

TITLE: **MODULAR JACK GANGED, 1 PORT, 8P8C RJ45+ USB 2.0 W/LED**

SIZE	PART NO.	REV.
X	MTJ-USB-88JX1-FS-PG-LL-M41	B

REF: S00005C SCALE: NTS SHEET 1 OF 2

6 5 4 3 2 1

D

D

C

C

B

B

A

A

6 5 4 3 2 1

6

5

4

3

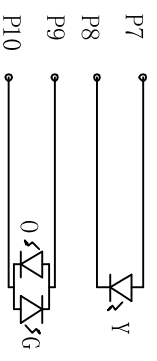
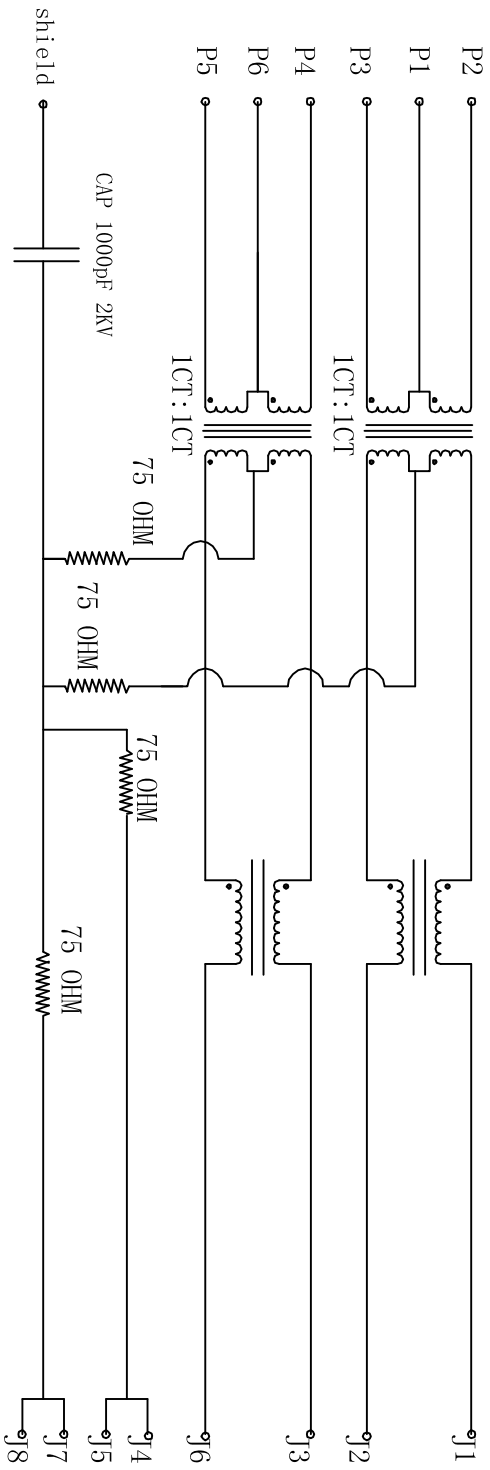
2

1

Rev	AWO #	Description	Date	Appr
		SEE SH1 1 OF 2 FOR REVISION		

APPROVED: _____

DATE: _____ TITLE: _____



ELECTRICAL SPECIFICATIONS

- Turns Ratio: (P2 ~ P3) : (J1 ~ J2) 1:1 ±3%
(P4 ~ P5) : (J3 ~ J6) 1:1 ±3%
- Inductance: (P2 ~ P3) 350uH min. @ 0.1V, 100KHZ, 8mA DC Bias
(P4 ~ P5) 350uH min. @ 0.1V, 100KHZ, 8mA DC Bias
- Leakage Inductance: P2 ~ P3 (with J1 and J2 Short): 0.35uH Max. @ 1 MHz
P4 ~ P5 (with J3 and J6 Short): 0.35uH Max. @ 1 MHz
- Intertwinding Capacitor: (P2 ~ P3) : (J1 ~ J2): 35pF max. @ 1MHz
(P4 ~ P5) : (J3 ~ J6): 35pF max @ 1mhz
- DC Resistance: (J1 ~ J2) : (J3 ~ J6): 1.2 Ohms Max.
- Return Loss: 1MHz to 30MHz: -18dB min
30MHz to 60MHz: -(18-20log(f/30))dB Min. (Where f is in MHz)
60MHz to 80MHz: -12dB min
- Dielectric Withstanding: (P2~P3) : (J1~J2): (P4~P5) : (J3~J6) :1500 VAC OR 2250 VDC
- Insertion Loss: 1MHz TO 100MHz : -1.2dB Max.
- Cross Talk: 1MHz to 100MHz: -30dB Min.
- Common to Common mode Attention 1MHz to 100MHz: -30dB Min.

UNLESS OTHERWISE SPECIFIED
ALL DIMENSIONS ARE INCHES [MM]
TOLERANCES: EXCEPT AS NOTED
INCHES HOLES

.X	± .10	Ø.X	± .10
.XX	± .020	Ø.XX	± .015
.XXX	± .015	Ø.XXX	± .010

APPROVALS

DRAWN	DY	DATE
		10/16/09

ADAM TECH
909 Ratway Avenue, Union, NJ 07083
Phone: 908-687-5000 Fax: 908-687-5710

TITLE: MODULAR JACK GANGED, 1 PORT, 8P8C
RJ45+ USB 2.0 W/LED

CHECKED		SIZE	PART NO.	REV.
APPROVED		X	MTJ-USB-88JX1-FS-PG-LL-M41	B
		REF:	S0003C	
		SCALE:	NTS	SHEET 2 OF 2