

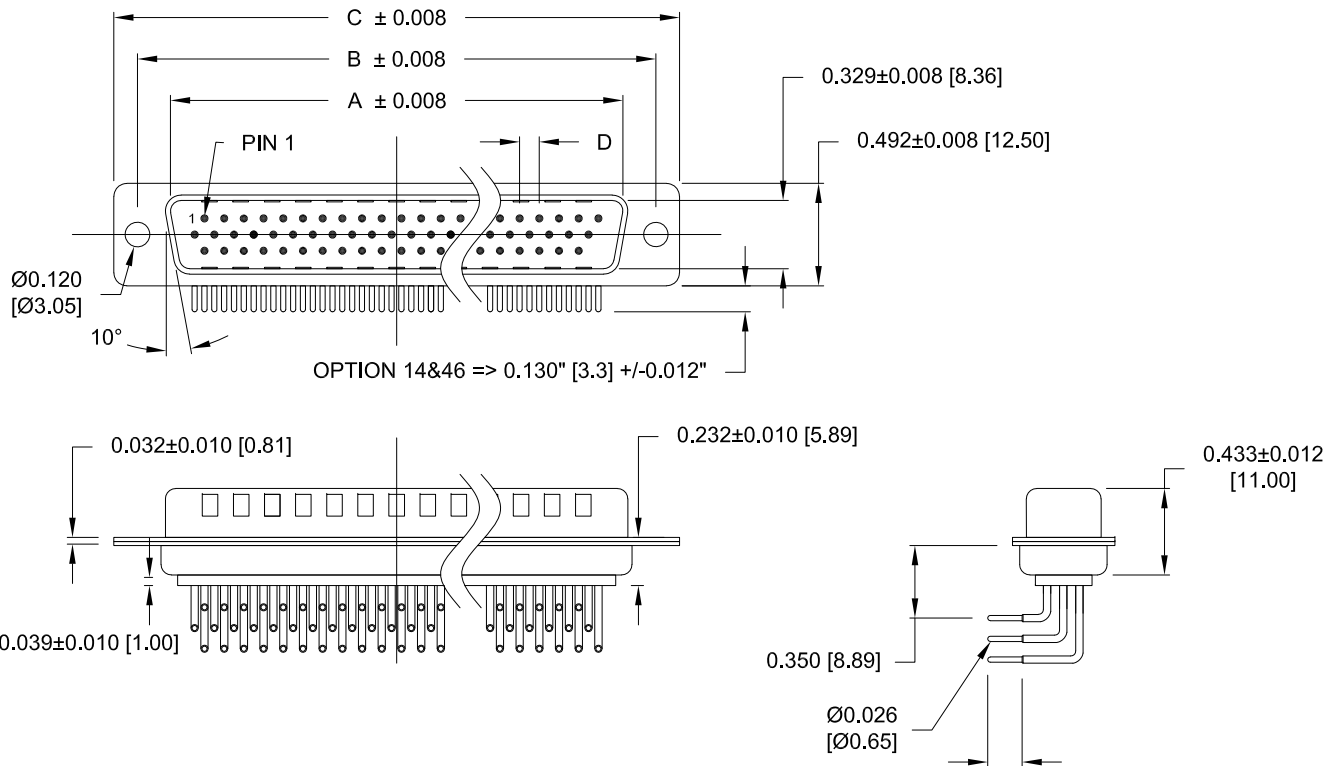
DESCRIPTION: HIGH DENSITY - MACHINED CONTACTS - RIGHT ANGLE

**MATERIALS AND FINISH:**

SHELL: STEEL MATERIAL, NICKEL FINISH  
 INSULATOR: (SEE CHART) =260°C, UL 94V-0 RATED, BLACK  
 CONTACT MATERIAL: BRASS  
 CONTACT FINISH: SELECTIVE GOLD FINISHED

**ELECTRICAL:**

CONTACT CURRENT RATING: 5 AMPS  
 CONTACT RESISTANCE: 10 mOHMS Max.  
 DIELECTRIC WITHSTANDING VOLTAGE: 1,000VAC Min.  
 INSULATION RESISTANCE: 5 GOHMS Min.  
 TEMPERATURE RATING: -55° ~ +125° C



**181-MYY-1YYRYYY**

SERIES \_\_\_\_\_  
 MACHINED CONTACTS \_\_\_\_\_  
 POSITIONS \_\_\_\_\_  
 15 \_\_\_\_\_  
 26 \_\_\_\_\_  
 44 \_\_\_\_\_  
 62 \_\_\_\_\_  
 GENDER \_\_\_\_\_  
 1 = MALE \_\_\_\_\_  
 TERMINATION \_\_\_\_\_  
 1 = RIGHT ANGLE \_\_\_\_\_  
 SHELL PLATING \_\_\_\_\_  
 3 = NICKEL \_\_\_\_\_  
 RoHS COMPLIANT \_\_\_\_\_  
 HARDWARE OPTIONS \_\_\_\_\_  
 14 = BRACKET WITH #4-40 INSERT, BOARD LOCK AND LOCATOR PLATE  
 46 = BRACKET WITH #4-40 SCREW LOCK, BOARD LOCK AND LOCATOR PLATE  
 PLATING OPTIONS \_\_\_\_\_  
 1 = GOLD FLASH, ENTIRE CONTACT  
 2 = 30u" GOLD, ENTIRE CONTACT  
 3 = 50u" GOLD, ENTIRE CONTACT

**DIMENSIONS (IN.)**

No. OF PINS	A	B	C	D	Insulator Material
15	0.665	0.984	1.213	0.090	PA9T
26	0.994	1.311	1.543	0.090	PA9T
44	1.534	1.852	2.088	0.090	PA9T
62	2.181	2.500	2.732	0.095	PA6T

**DIMENSIONS (mm)**

No. OF PINS	A	B	C	D	Insulator Material
15	16.90	25.00	30.80	2.29	PA9T
26	25.25	33.30	39.20	2.29	PA9T
44	38.95	47.05	53.05	2.29	PA9T
62	55.40	63.50	69.40	2.41	PA6T

UNITS = INCHES [mm]

**DO NOT SCALE FROM DRAWING**



THESE DRAWINGS AND SPECIFICATIONS ARE THE PROPERTY OF NorComp AND SHALL NOT BE REPRODUCED, COPIED OR USED AS THE BASIS FOR THE MANUFACTURE OF SALE OF APPARATUS WITHOUT WRITTEN PERMISSION.

DRAWN:	C. SMITH	DATE:	03-16-07
--------	----------	-------	----------

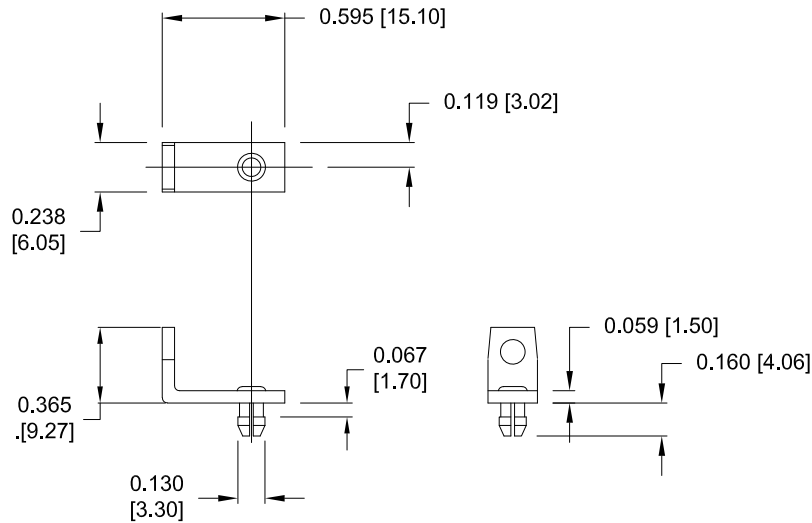
**NorComp**

SCALE:	NTS	SHEET	OF	REV
		1	4	28

DWG NO. 181-MYY-1YYRYYY

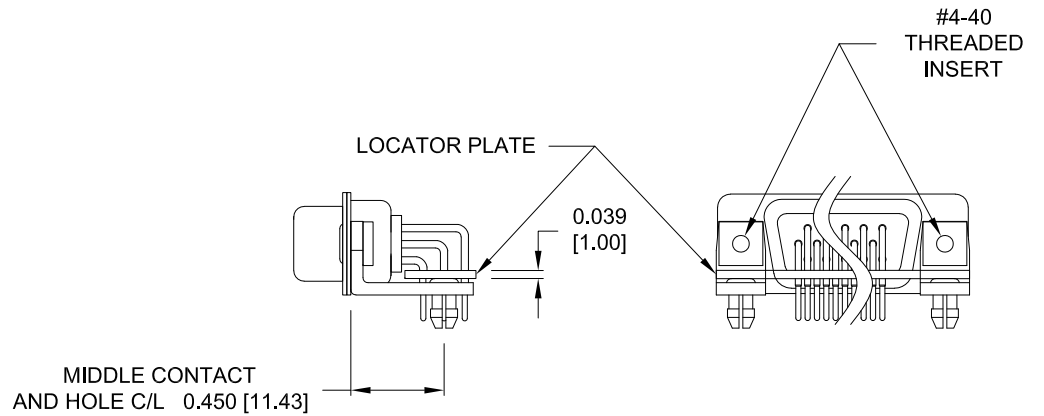
**RoHS COMPLIANT**

DESCRIPTION: HIGH DENSITY - MACHINED CONTACTS - RIGHT ANGLE



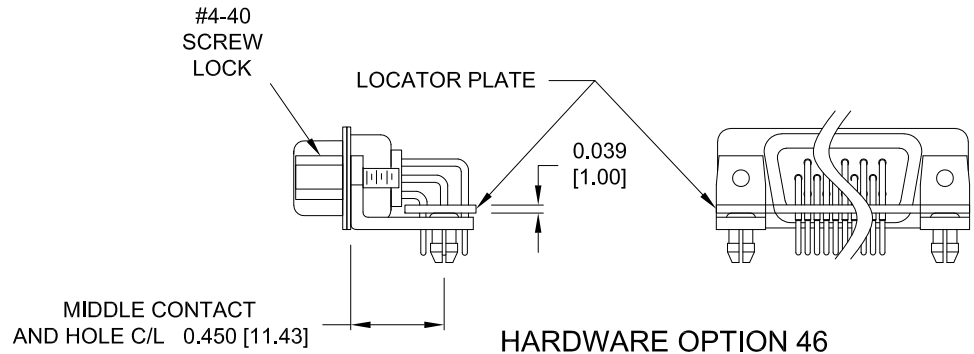
**MOUNTING BRACKET  
WITH BOARD LOCK**  
HARDWARE OPTIONS 14 & 46

MATERIAL: COLD ROLLED STEEL  
PLATING: CLEAR ZINC



**HARDWARE OPTIONS 14**


**BRACKETS MOUNTED ON CONNECTOR  
WITH LOCATOR PLATE**



**HARDWARE OPTION 46**

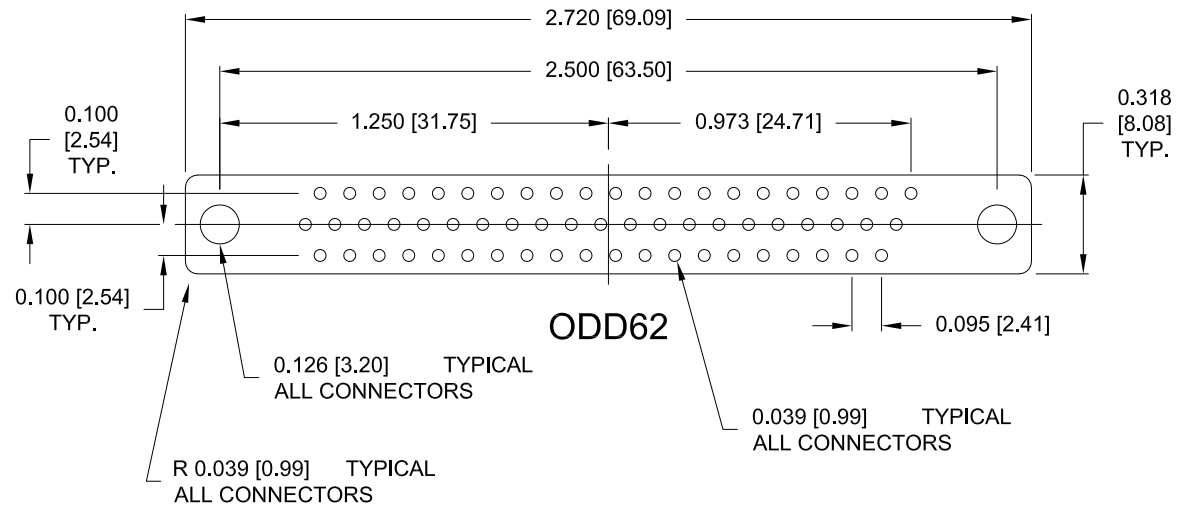
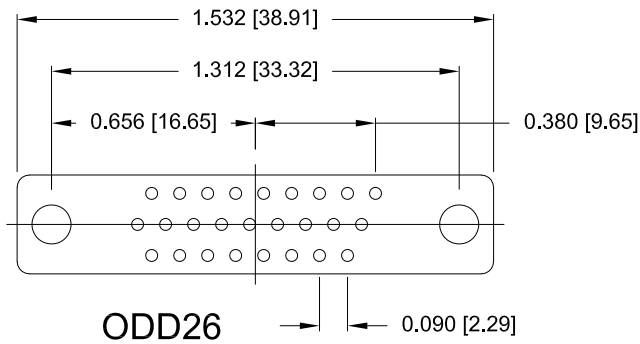
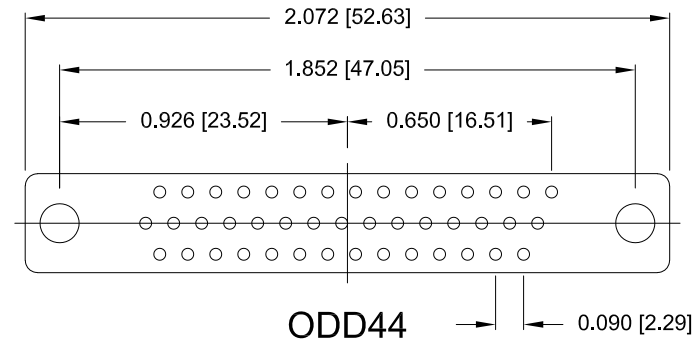
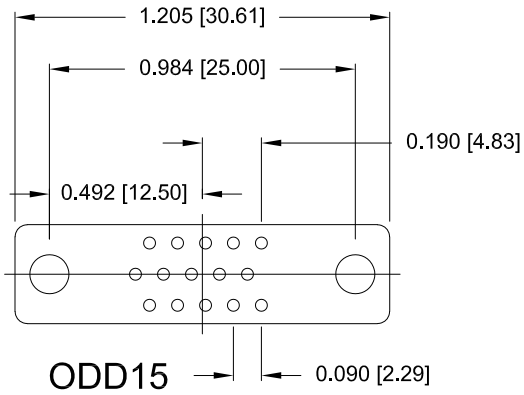
UNITS = INCHES [mm]

**DO NOT SCALE FROM DRAWING**

	THESE DRAWINGS AND SPECIFICATIONS ARE THE PROPERTY OF NorComp AND SHALL NOT BE REPRODUCED, COPIED OR USED AS THE BASIS FOR THE MANUFACTURE OF SALE OF APPARATUS WITHOUT WRITTEN PERMISSION.		DRAWN: <b>C. SMITH</b>	DATE: <b>03-16-07</b>
	<h1>NorComp</h1>		SCALE: NTS	SHEET OF 2 4
DWG NO. <b>181-MYY-1YYRYYY</b>				

DESCRIPTION: HIGH DENSITY LOCATOR PLATES - 15, 26, 44, 62 & 78

MATERIAL: INSULATION PAPER  
0.039" THICK



UNITS = INCHES [mm]

DO NOT SCALE FROM DRAWING



THESE DRAWINGS AND SPECIFICATIONS ARE THE PROPERTY OF NorComp AND SHALL NOT BE REPRODUCED, COPIED OR USED AS THE BASIS FOR THE MANUFACTURE OF SALE OF APPARATUS WITHOUT WRITTEN PERMISSION.

DRAWN: C. SMITH

DATE: 03-16-07

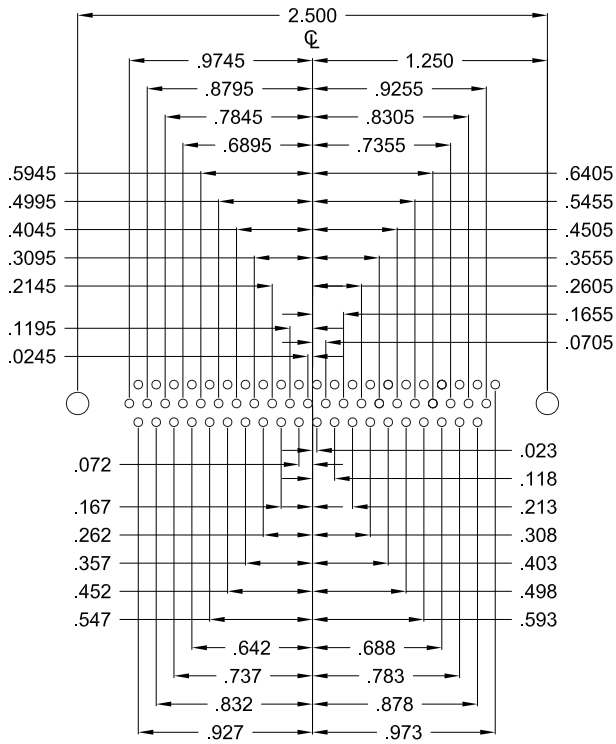
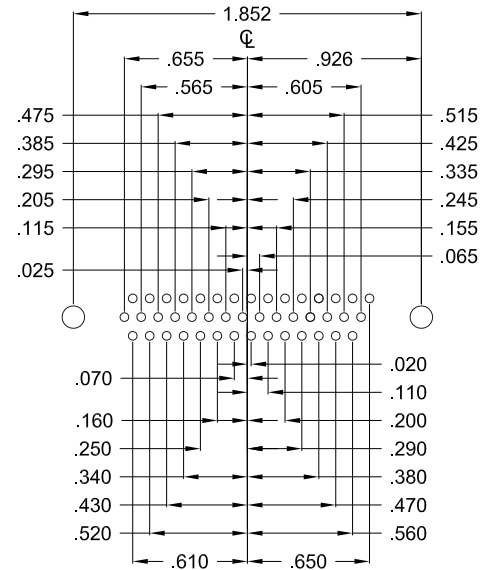
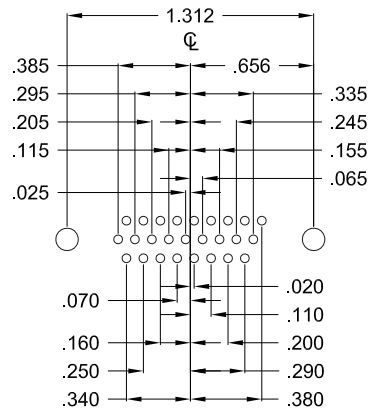
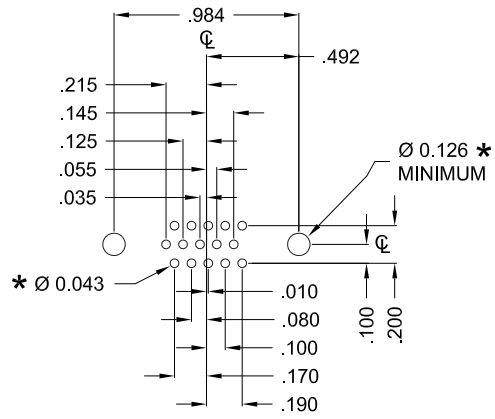
NorComp

SCALE: NTS SHEET 3 OF 4 REV 28

DWG NO. 181-MYY-1YYRYYY

RoHS COMPLIANT

DESCRIPTION: HIGH DENSITY - MACHINED CONTACTS - RIGHT ANGLE



HOLE PATTERN SHOWN  
ARE FOR MALE

UNITS = inch

\* TYP.  
SUGGESTED SIZE  
MAY NOT BE SUITABLE FOR ALL APPLICATIONS

DO NOT SCALE FROM DRAWING



THESE DRAWINGS AND SPECIFICATIONS ARE THE PROPERTY OF NorComp AND SHALL NOT BE REPRODUCED, COPIED OR USED AS THE BASIS FOR THE MANUFACTURE OF SALE OF APPARATUS WITHOUT WRITTEN PERMISSION.

DRAWN: <b>C. SMITH</b>		DATE: <b>03-16-07</b>	
SCALE: NTS	SHEET 4	OF 4	REV 28
DWG NO. <b>181-MYY-1YYRYYY</b>			

**NorComp**