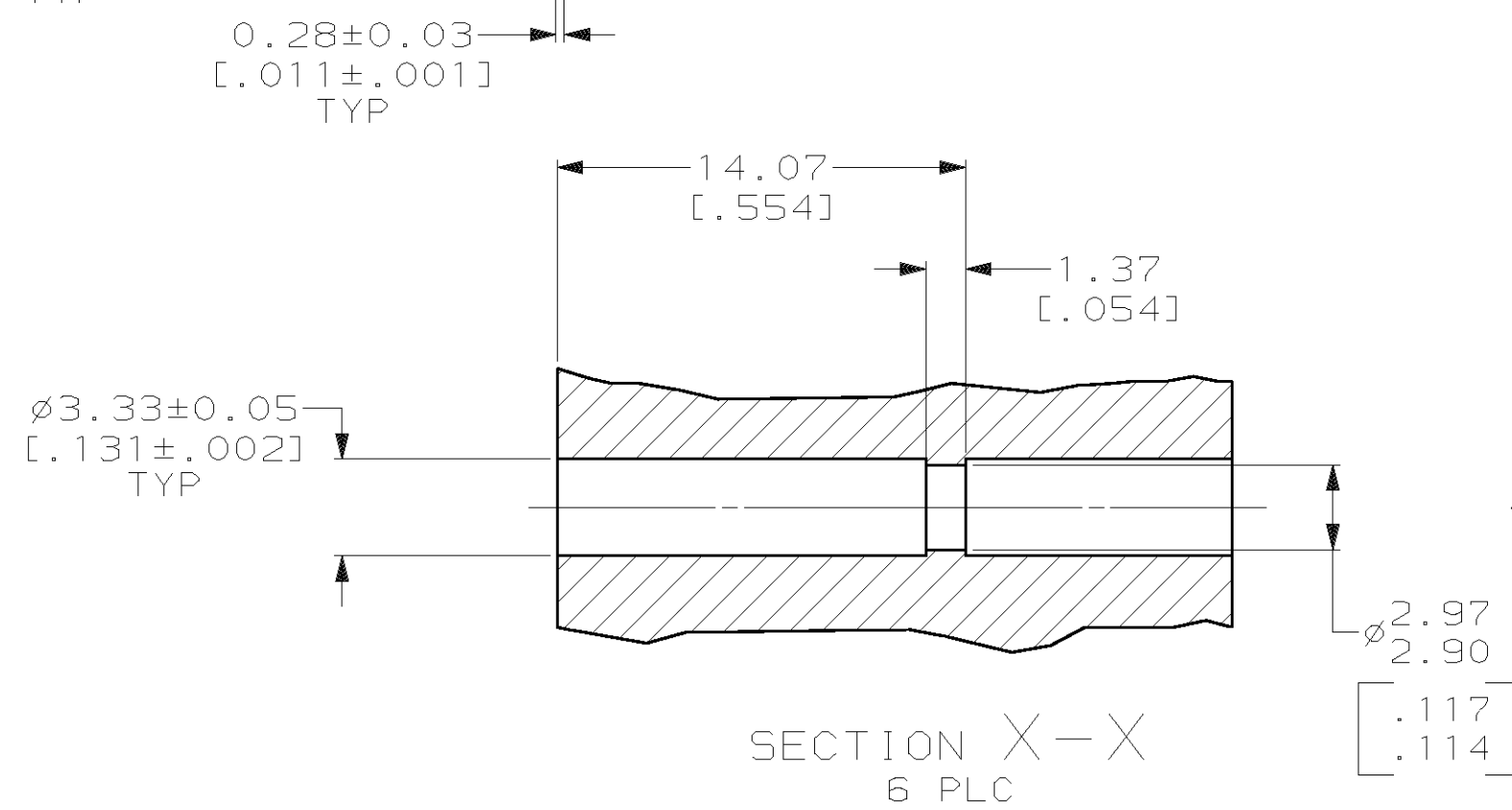
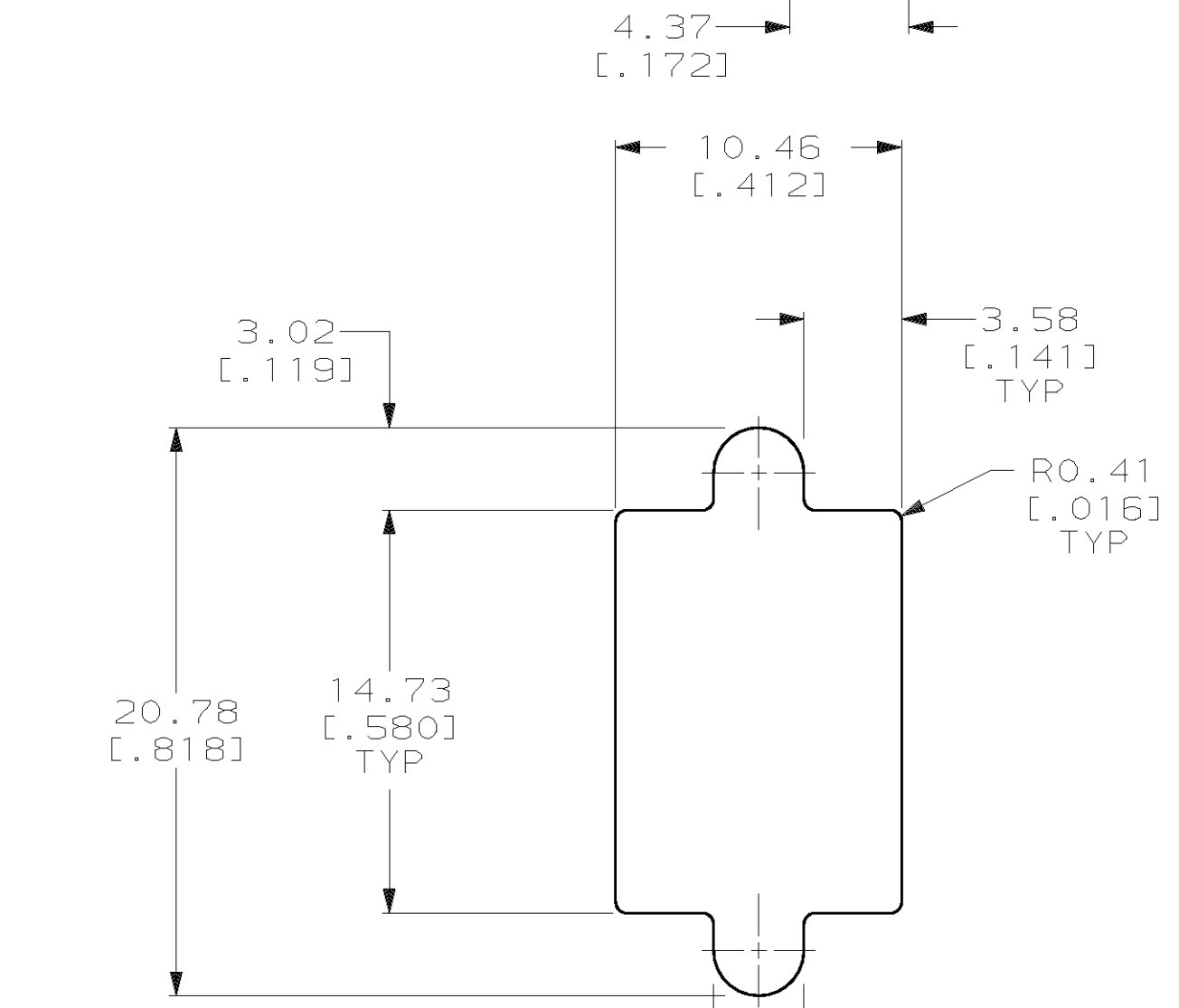
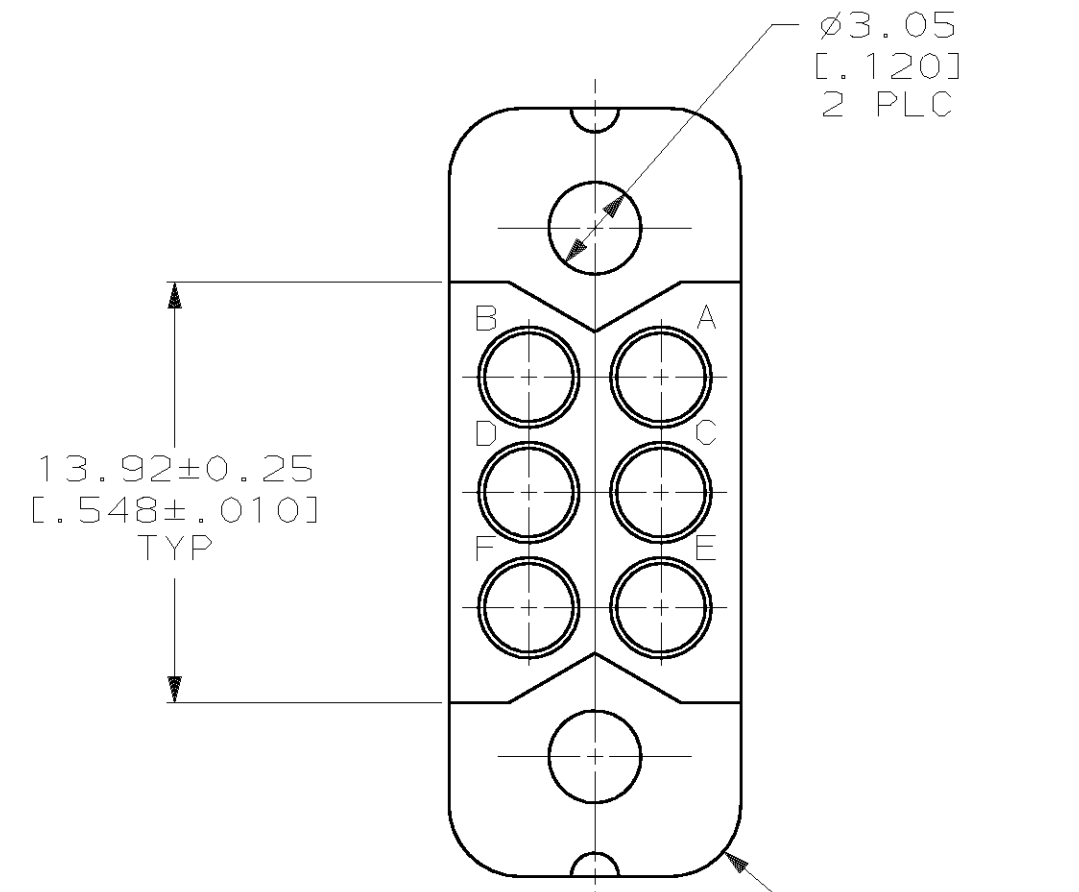
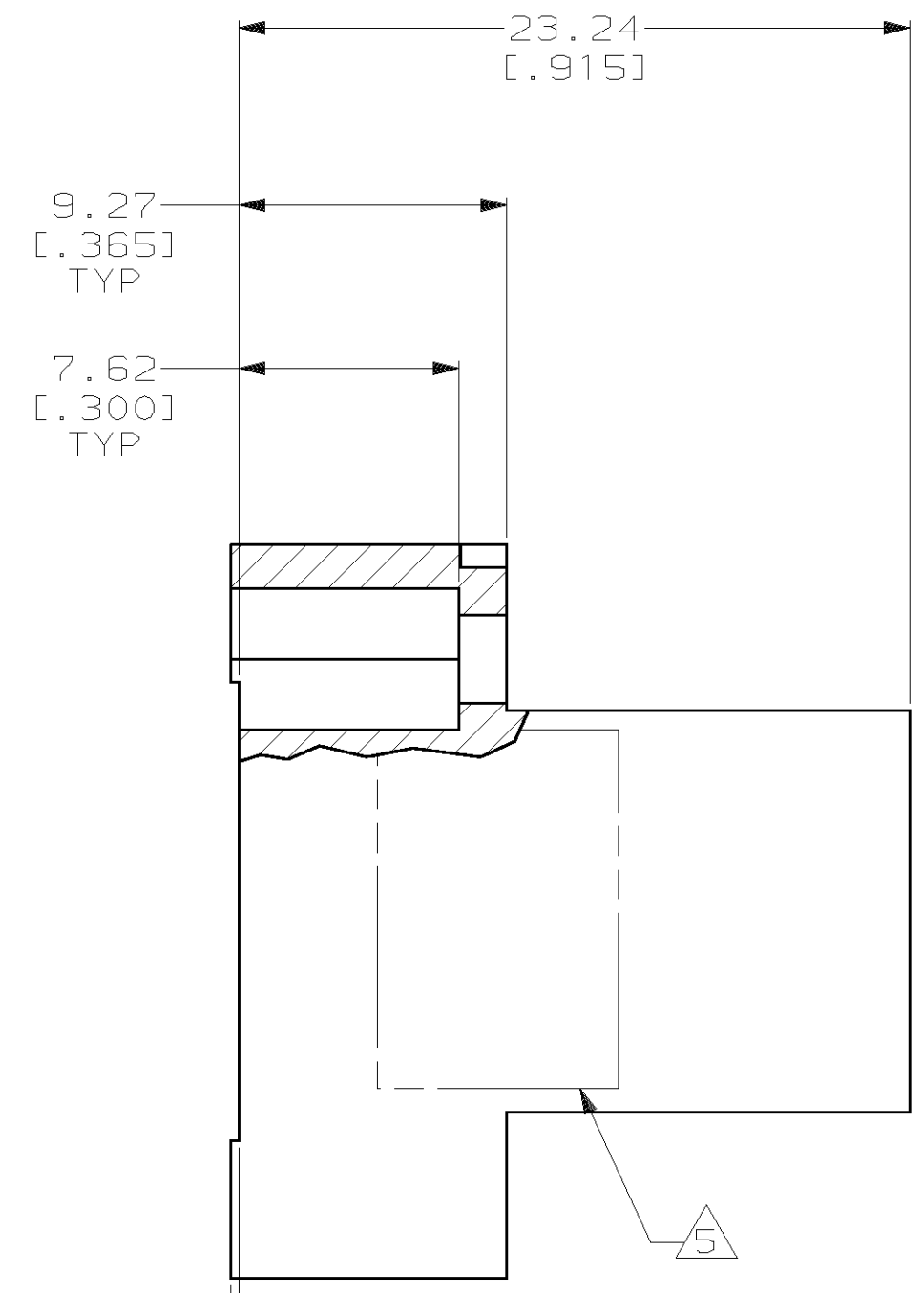
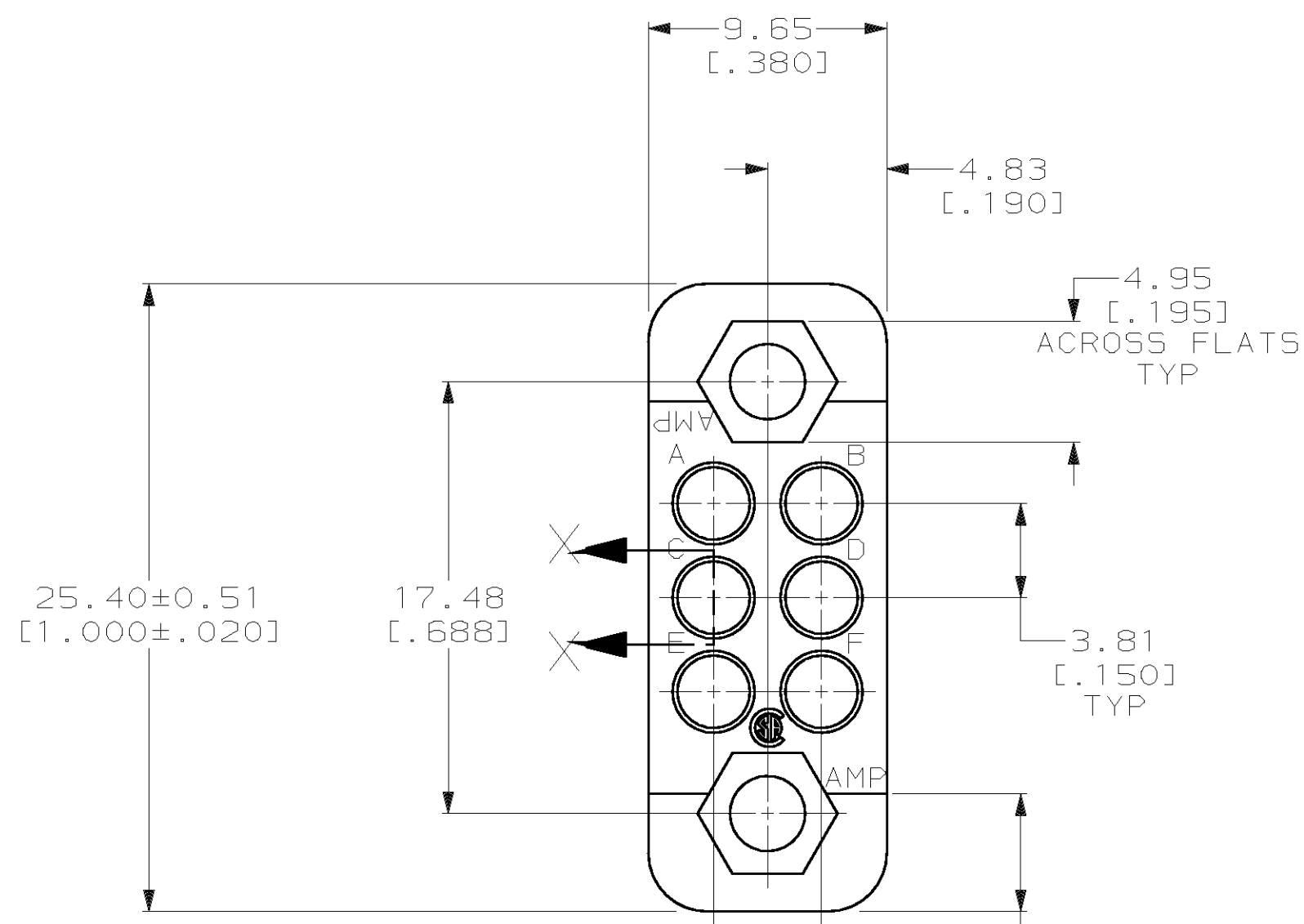


THIS DRAWING IS UNPUBLISHED. RELEASED FOR PUBLICATION .19
 (C) COPYRIGHT 19 BY AMP INCORPORATED. ALL RIGHTS RESERVED.

LOC	DIST	REVISIONS			
P	LTR	DESCRIPTION	DATE	DWN	APVD
	J	REDRAWN W/O CHANGE PER EC 0020-1299-95	01 MAR 96	-	-
	K	REV PER EC 0020-602-96	18 DEC 96	MB	GS
	L	REV PER EC 0320-82-97	14 AUG 97	BC	GS
	M	REV PER EC 061C-50-99	03 JUN 99	DH	GS



- ① PHENOLIC PER MIL-M-14, TYPE CFG, BLACK.
- ② DIALLYL PHTHALATE PER MIL-M-14, TYPE SDG-F, BLUE.
- 3. WHEN MATING WITH 202756 ACCOMODATES TYPE II #20 SOCKET CONTACTS.
- 4. WHEN MATING WITH 202758 ACCOMODATES TYPE II OR TYPE III #16 PIN OR SOCKET CONTACTS.
- ⑤ AMP PART NO IN THIS AREA. DATE CODE AT AMP'S OPTION.

②	202757-3
①	202757-1
MATERIAL	PART NUMBER

THIS DRAWING IS A CONTROLLED DOCUMENT FOR AMP INCORPORATED. IF IS SUBJECT TO CHANGE AND THE CONTROLLING ENGINEERING ORGANIZATION SHOULD BE CONTACTED FOR THE LATEST REVISION.		DWN C. REIFSNYDER 28 FEB 96	AMP AMP Incorporated Harrisburg, PA 17105-3608
DIMENSIONS: mm [INCHES]		CHK R. STONE 15 MAR 96	
TOLERANCES UNLESS OTHERWISE SPECIFIED:		APVD G. A. STEINHAUER 25 JUN 96	NAME BLOCK, FEMALE, 6 PLACE, MINIATURE RECTANGULAR, M SERIES
0 PLC ±-		PRODUCT SPEC	
1 PLC ±-		APPLICATION SPEC	SIZE A2
2 PLC ±0.13 [.005]		WEIGHT	CAGE CODE 00779
3 PLC ±-		CUSTOMER DRAWING	DRAWING NO C-202757
4 PLC ±-		SCALE 4:1	SHEET 1 OF 1
ANGLES ±-			REV M
FINISH -			

RECOMMENDED PANEL CUTOUT

202757

B

A