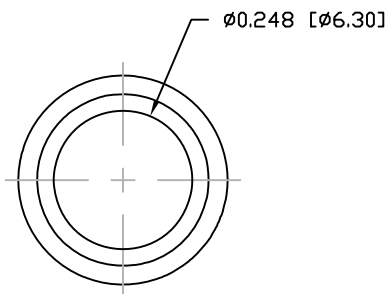
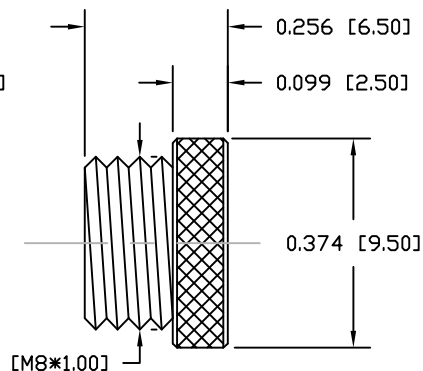


DESCRIPTION: M8 MALE - CABLE MOUNT - SOLDER CUP - 5 POS.



NUT



NOTE:

MATERIAL

HOUSING: PBT UL94V-0, BLACK
 CONTACT: BRASS
 NUT: BRASS
 SHELL: BRASS

FINISH

CONTACT: GOLD PLATED
 OVER 50μ" NICKEL
 SHELL: NICKEL PLATED
 NUT: NICKEL PLATED

ELECTRICAL

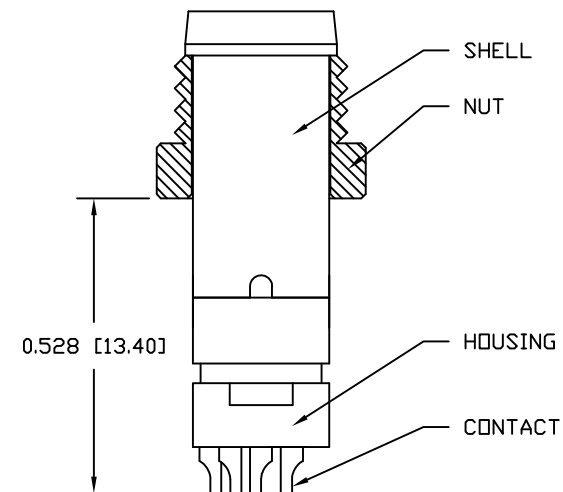
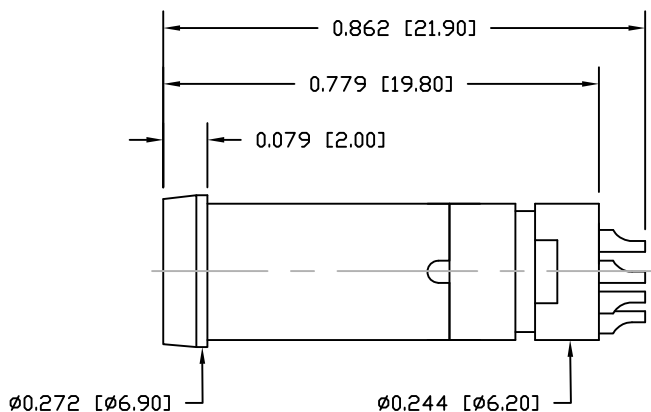
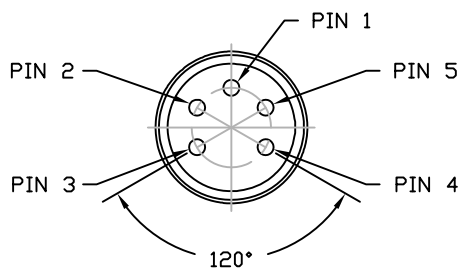
RATED CURRENT: 3A
 RATED VOLTAGE: 125V
 INSULATION RESISTANCE: 100 MΩhms MIN.
 CONTACT RESISTANCE: 10 mΩhms MAX.
 WATER PROOF: IP67

ENVIRONMENT

OPERATION TEMPERATURE: -40°C TO +85°C
 WIRE GAUGE: 24-28 AWG

854-005-103RLSY

1 = GOLD FLASH
 4 = 10μ" GOLD



RoHS COMPLIANT

DO NOT SCALE FROM DRAWING



THESE DRAWINGS AND SPECIFICATIONS ARE THE PROPERTY OF NorComp AND SHALL NOT BE REPRODUCED, COPIED OR USED AS THE BASIS FOR THE MANUFACTURE OR SALE OF APPARATUS WITHOUT WRITTEN PERMISSION.

DRAWN:

M. SIGMON

DATE:

03-04-16

NorComp

SCALE: NTS

SHEET 1 OF 1

REV 3

DWG NO.

854-005-103RLSY