

Specifications

| | | | |
|--------------------|--------------------------|-----------------------|---------------|
| Electrical Ratings | 25mA @ 50VDC | Dielectric Strength | 1500Vrms min |
| Electrical Life | 1,000,000 cycles typical | Insulation Resistance | >100MΩ min |
| Contact Resistance | <25mΩ initial | Operating Temperature | -40°C to 85°C |
| Actuation Force | 150 ± 50gF | Storage Temperature | -40°C to 85°C |

Materials

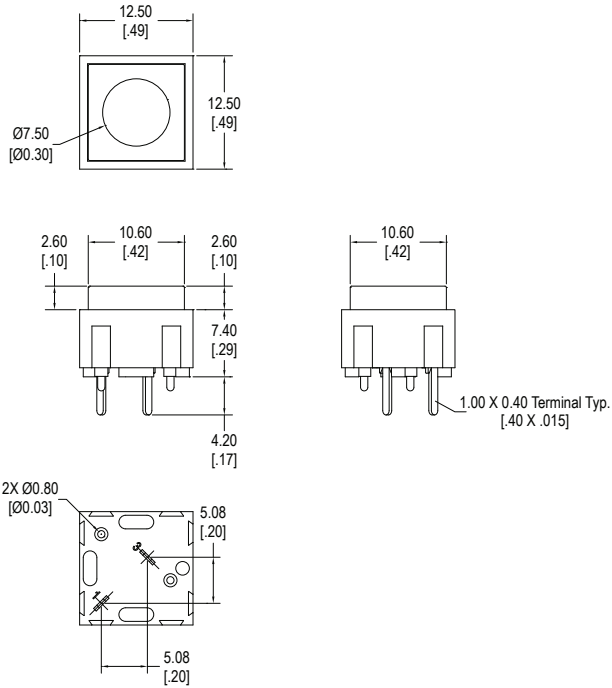
| | |
|-----------|---------------------------------------|
| Cap | ABS |
| Housing | 6/6 Nylon |
| Contacts | Copper Alloy, Gold over Nickel Plated |
| Terminals | Copper Alloy, Silver Plated |

Ordering Information

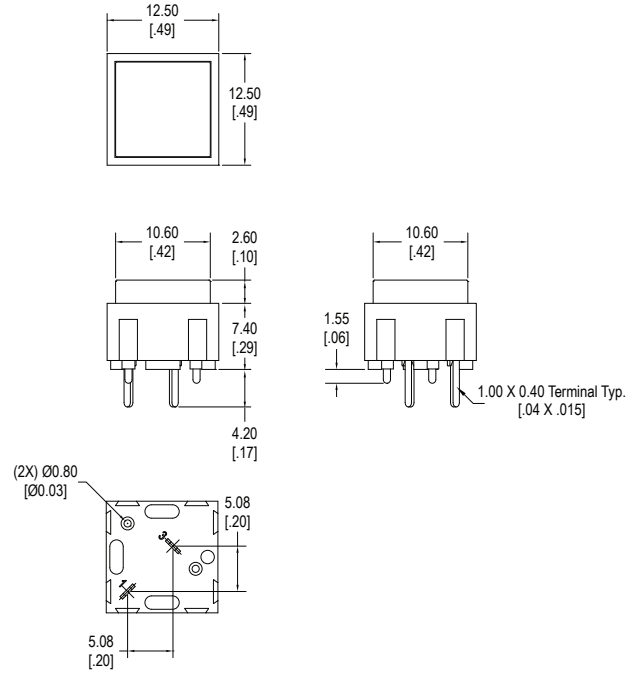
| | | | |
|----------------|----------------|---|---|
| 1. Series | NC | A | 3 |
| NC | | | |
| 2. Cover Style | | | |
| A | | | |
| B | | | |
| C | | | |
| D | | | |
| E | | | |
| F | | | |
| 3. Cover Color | | | |
| 1 = White | 6 = Orange | | |
| 2 = Black | 7 = Blue | | |
| 3 = Red | 8 = Dark Gray | | |
| 4 = Yellow | 9 = Light Gray | | |
| 5 = Green | | | |
| 4. Caps | | Cap Colors | |
| Blank = No Cap | C16 | | |
| C11 | C17* | ** See cap options for color availability | |
| C12 | C18 | ** Caps available with C & E actuators only | |
| C13 | C19 | * C15 & C17 fit only E Actuator | |
| C14 | C22 | | |
| C15* | C26 | | |

Dimensions

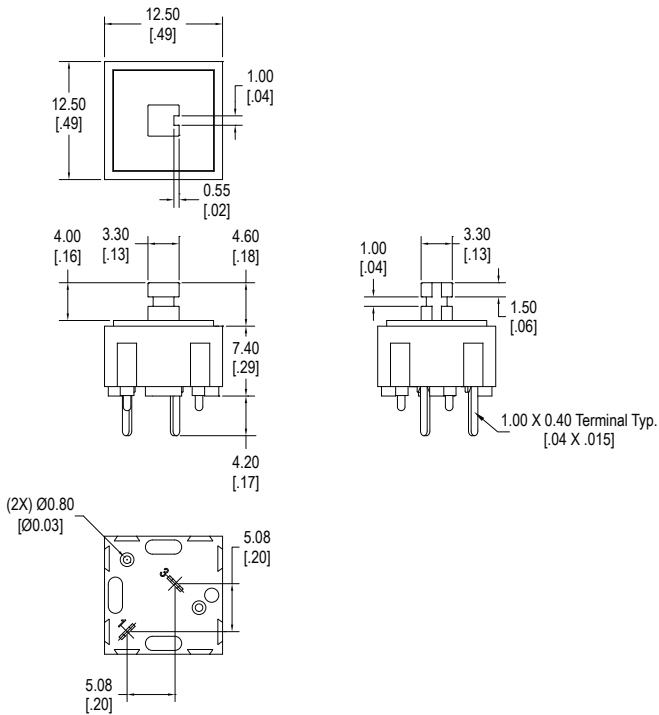
A Cover



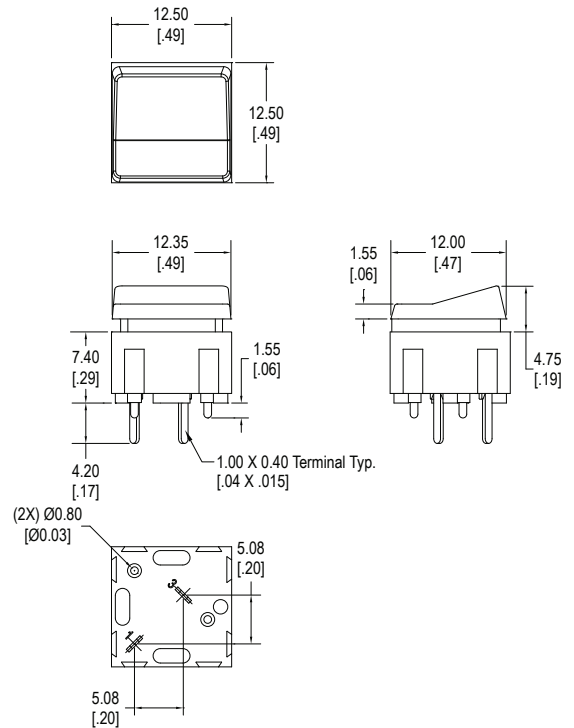
B Cover



C Cover

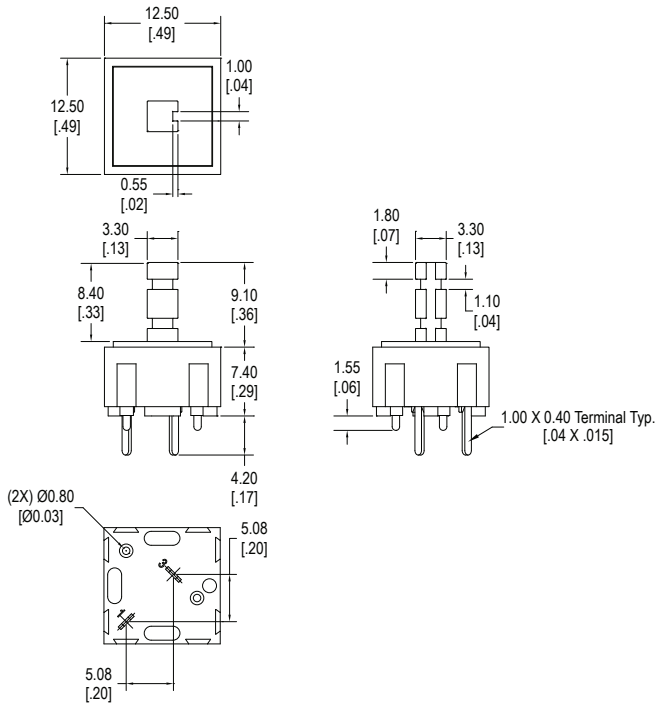


D Cover

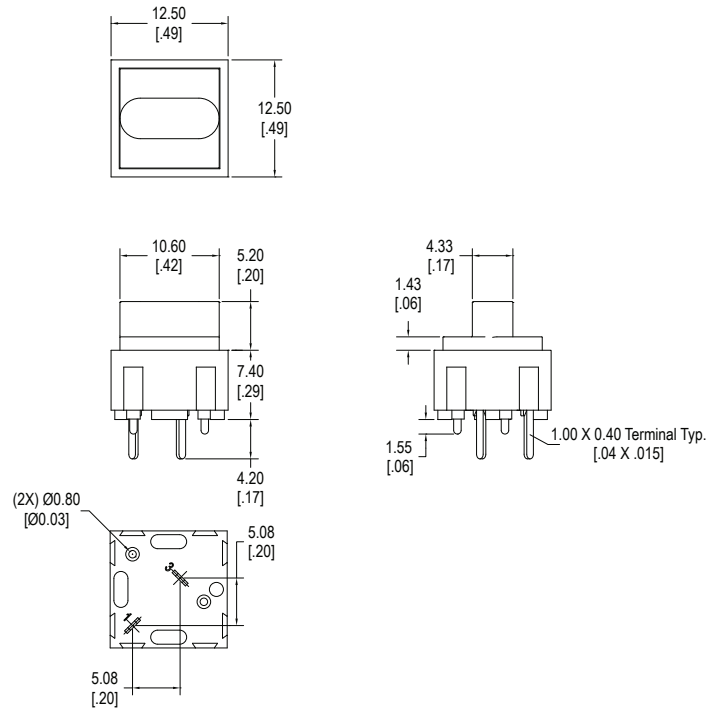


Specifications

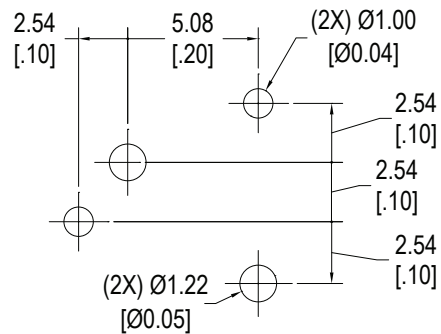
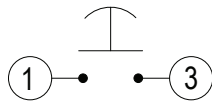
E Cover



F Cover

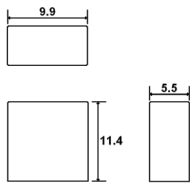


Schematic & PC Layout



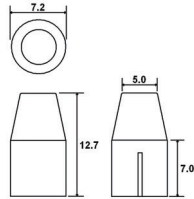
Cap Options for C & E Cover Styles Contact Factory for other available colors

C11_



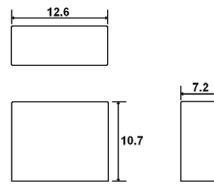
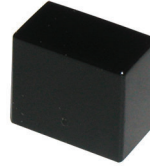
1 = White, 2 = Black
3 = Red, 9 = Light Gray

C12_



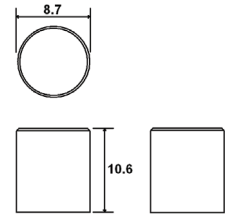
1 = White, 2 = Black
3 = Red, 9 = Light Gray

C13_



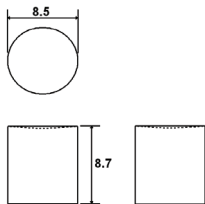
1 = White, 2 = Black
3 = Red, 9 = Light Gray

C14_



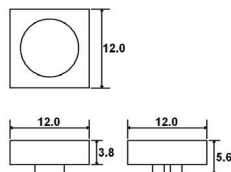
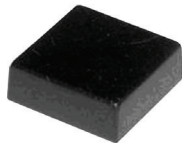
1 = White, 2 = Black
3 = Red, 9 = Light Gray

C15_



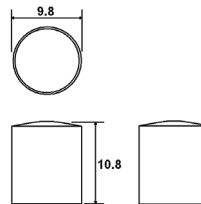
2 = Black, 0 = Clear

C16_



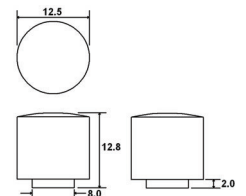
1 = White, 2 = Black
3 = Red, 7 = Blue

C17_



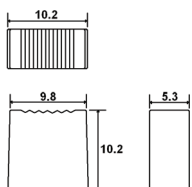
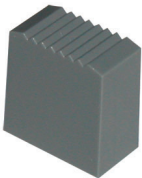
2 = Black, 0 = Clear

C18_



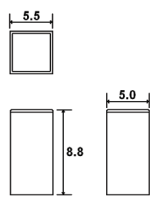
1 = White, 2 = Black, 9 = Light Gray

C19_



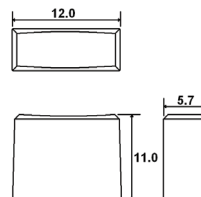
1 = White, 2 = Black
3 = Red, 9 = Light Gray

C22_



2 = Black, 8 = Dark Gray
9 = Light Gray

C26_



1 = White, 2 = Black
3 = Red, 9 = Light Gray