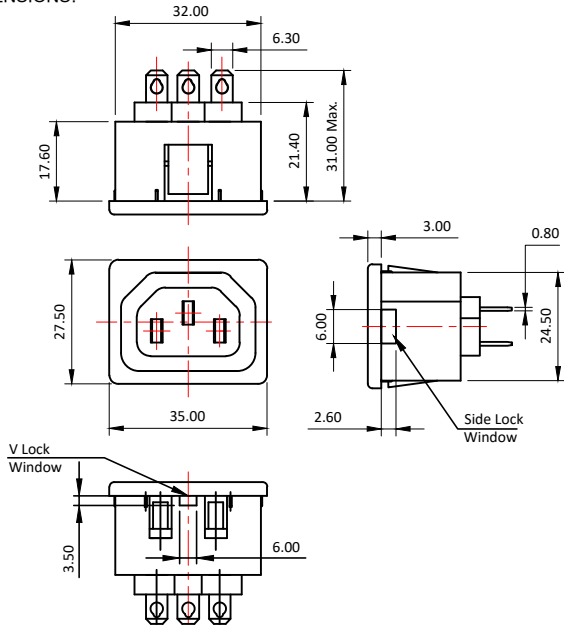


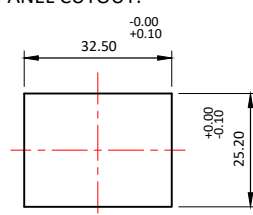
PRODUCT CODE:- **EMO-11-X (Series)**

CATEGORY:- **IEC OUTLET**

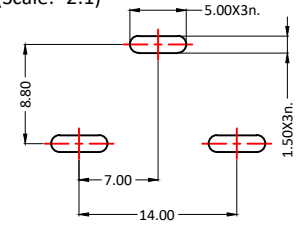
BASIC DIMENSIONS:-



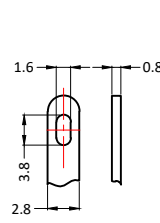
PANEL CUTOUT:-



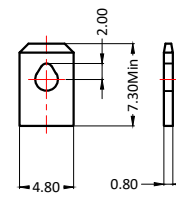
PCB DETAILS:- (Scale:- 2:1)



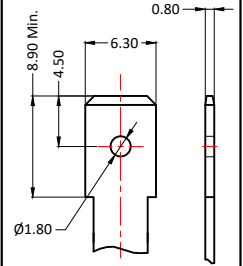
TERMINALS (Scale:- 2:1)



4.8x0.8 (T4)



6.3x0.8 (T5)



SPECIFICATION TABLE:-

SR.NO.	PARAMETER	SPECIFICATIONS
1	V/A Rating	10A 250V AC 15A 250V AC
2	Contact resistance (Initial)	10 mohms max.
3	Insulation resistance at 500 V DC	1000 Mohms min.
4	H.V. Break down test (For 1minute)	2 KV AC
5	Panel thickness maximum - Other: Available on request	Standard : 1.5 Refer Ordering Table
6	Mounting	Panel, Snap-in type
7	Terminals	Solder-type / Fast-on / PCB-type
8	Withdrawal force	3.5 to 5.0 kg.
9	Permissible temp.	(a) With/Without load
		0°C To 70°C 0°C To 65°C
10	Material	(a) Body
		Nylon-6, GF20%, V-2
11	Reference standards	(b) Contacts, Terminals
		Brass, Tin plating
11	Reference standards	IEC 60320-1, IEC 60320-3 UL-498, CSA:C22.2 No. 182.3
12	Compliance Marking	
13	Approvals	

Ⓢ : Also available for temp. rating up to 125°C on request (For UL only)

ORDERING CODE:-

SERIES	PANEL THICKNESS	TERMINAL DETAILS	VARIETY																						
EMO-11	No Suffix 1.5 K 0.9 A 1.0 B 1.2 D 1.8 E 2.0 G 2.5 J 3.0	<table border="1"> <thead> <tr> <th></th> <th>A (Capsule Hole)</th> <th>B (Drop Hole)</th> <th>C (Fast-on)</th> </tr> </thead> <tbody> <tr> <td>T2 2.8x0.80</td> <td></td> <td></td> <td></td> </tr> <tr> <td>T4 4.8x0.80</td> <td></td> <td></td> <td></td> </tr> <tr> <td>T5 6.3x0.80</td> <td></td> <td></td> <td></td> </tr> </tbody> </table>		A (Capsule Hole)	B (Drop Hole)	C (Fast-on)	T2 2.8x0.80				T4 4.8x0.80				T5 6.3x0.80				<table border="1"> <tbody> <tr> <td>No Suffix</td> <td>W/O lock</td> </tr> <tr> <td>2V2</td> <td>Side Lock & V Lock variety</td> </tr> <tr> <td>3V2</td> <td>Only V Lock variety</td> </tr> </tbody> </table>	No Suffix	W/O lock	2V2	Side Lock & V Lock variety	3V2	Only V Lock variety
	A (Capsule Hole)	B (Drop Hole)	C (Fast-on)																						
T2 2.8x0.80																									
T4 4.8x0.80																									
T5 6.3x0.80																									
No Suffix	W/O lock																								
2V2	Side Lock & V Lock variety																								
3V2	Only V Lock variety																								

EXAMPLE :-

- 1)EMO-11-T2A-2V2
- 2)EMO-11-BT4B-2V2
- 3)EMO-11-T5C-3V2

					APP	18.05.06	SBP
					CHK	18.05.06	SNV
					DRN	18.05.06	SNV
REV	IS	WAS	DATE	SIGN	APP. BY	DATE	SIGN
UNSP.TOLERANCE		DIMNS. IN	WT(Gm)	SCALE:-	PROJECTION	SHEET	DRAWING NUMBER
OVER	-	1	10	mm	Max.	NTS.	1 OF 1
UP TO	1	10	-	Moulding, plating details as per Bill of Material Unspecified colour is Black, GF:Glass filled.			P E M O 2 0 1 1
±	0.2	0.3	0.5				REVISION
							0



Plot E-4, Kagal Five Star MIDC, Kagal, Kolhapur, MH - 416236, India

Elcom International Pvt. Ltd.

www.elcom-in.com

F:ENG-08.00

Note: Technical specifications are subject to change without prior notice

Copyright © 2019 by Elcom International Pvt.Ltd, India. All rights reserved