

THIS DRAWING IS UNPUBLISHED. RELEASED FOR PUBLICATION
 © COPYRIGHT - TE Connectivity ALL RIGHTS RESERVED.

REVISIONS				
P	LTR	DESCRIPTION	DATE	APVD
B		REVISED PER ECO-16-018096	29MAY2017	RK PO

SPECIFICATIONS:
 MAKE-BEFORE-BREAK

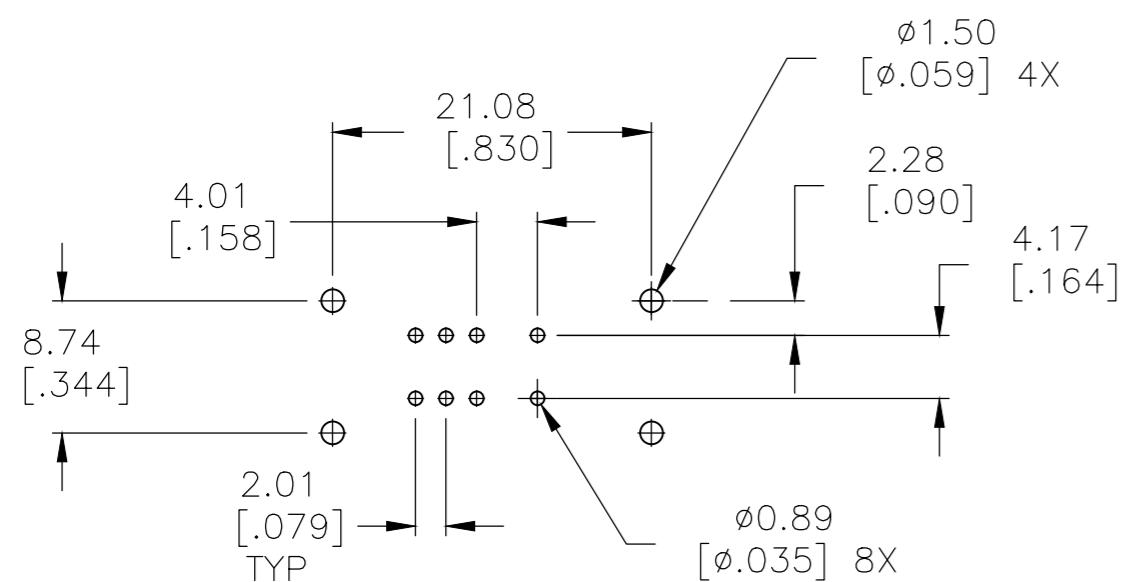
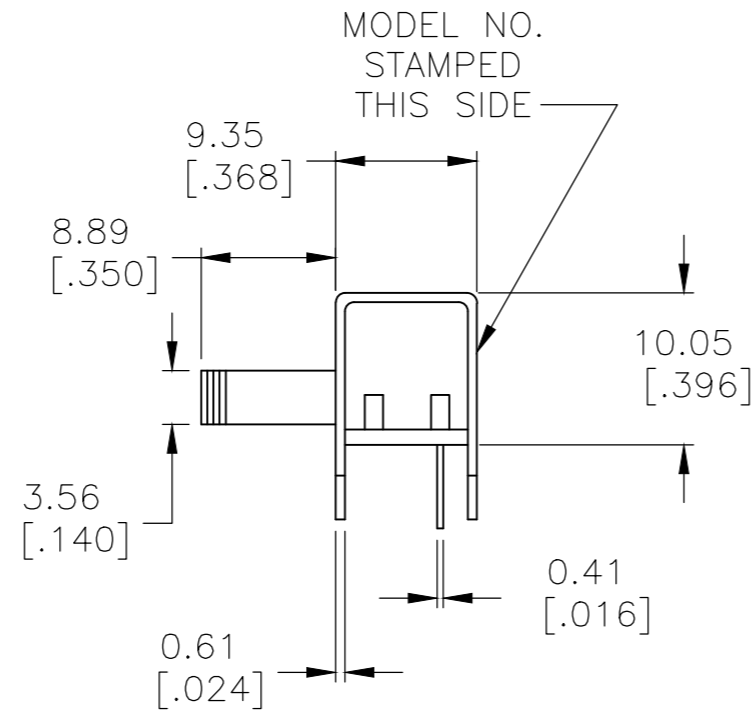
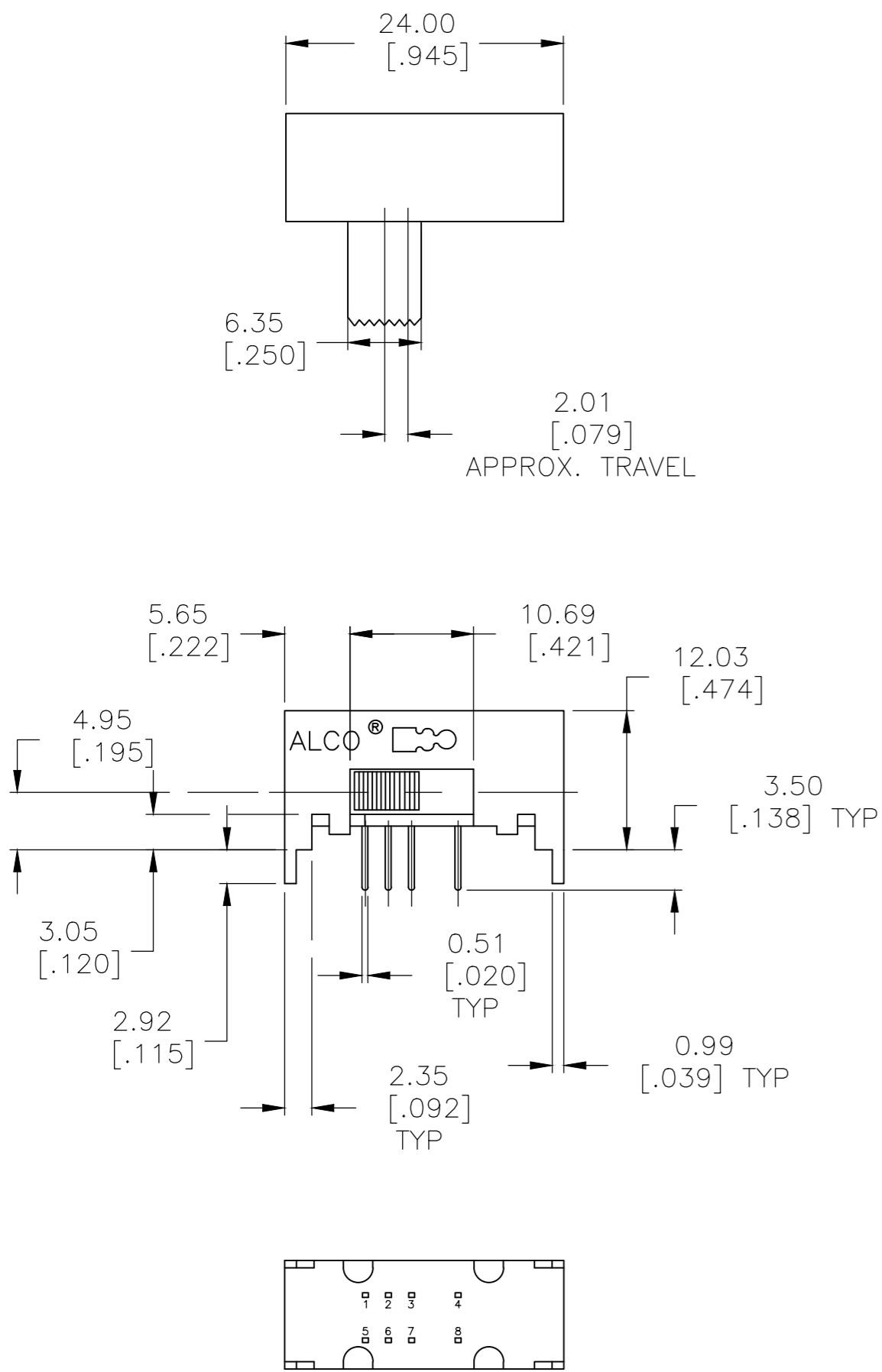
MATERIALS:
 ACTUATOR - NYLON 66 UL94V-0, BLACK
 FRAME - TIN PLATED STEEL
 TERMINAL BOARD - PHENOLIC LAMINATE UL94HB, NATURAL
 TERMINAL (SILVER) - COPPER ALLOY- SILVER OVER NICKEL PLATE
 TERMINAL (GOLD) - COPPER ALLOY- TIN OVER NICKEL PLATE
 FIXED CONTACT (SILVER) - COPPER ALLOY- SILVER OVER NICKEL PLATE
 MOVING CONTACT (SILVER) - COPPER ALLOY- SILVER OVER NICKEL PLATE
 MOVING CONTACT (GOLD) - COPPER ALLOY-GOLD OVER NICKEL PLATE
 DETENT BALL - STAINLESS STEEL
 COIL SPRING - TEMPERED STEEL WIRE
 SEAL - EPOXY

ELECTRICAL:
 CONTACT RATING - .4VA@20VDC OR PEAK AC (GOLD)
 300mA@125V AC (SILVER)
 INITIAL CONTACT RESISTANCE - 30milliohm max.
 FINAL CONTACT RESISTANCE - 100milliohm max> (AFTER TEST)
 INSULATION RESISTANCE - 1,000Megohms min."
 DIELECTRIC STRENGTH - 500V RMS@SEA LEVEL
 LIFE EXPECTANCY - 15,000 CYCLES MIN."

MECHANICAL:
 ACTUATION FORCE - 600±300 GRAMS
 TRAVEL - 2.00±0.51[.079±.020]

ENVIRONMENTAL:
 OPERATING TEMPERATURE - -20 TO +85 DEGREES C
 STORAGE TEMPERATURE - -40 TO +100 DEGREES C
 RESISTANCE TO SOLDER HEAT PER 109-202, CONDITION B
 SOLDERABILITY PER EIA- 364-52, CLASS 2, CATEGORY 1, 95% MIN
 COVERAGE

NOTES:
 1. ALL MATERIALS AND FINISHES SHALL COMPLY WITH EU
 DIRECTIVE 2002 95/EC OF 27JAN2003 (ROHS).
 2. ANTI SOLDER WICK SEAL AT TERMINAL TO BOARD INTERFACE.



RECOMMENDED HOLE LAYOUT
 TOLERANCE ±.002 UNLESS OTHERWISE NOTED

OBSOLETE	1,3&5,7	2,3&6,7	3,4&7,8	DP3T	GOLD	MSSA2350RG04	1825199-2
	1,3&5,7	2,3&6,7	3,4&7,8	DP3T	SILVER	MSSA2350R04	1825199-1
				TYPE	CONTACT PLATING	ALCO P/N	TE P/N
	LEFT	CENTER	RIGHT				
	ACTUATOR POSITION						

THIS DRAWING IS A CONTROLLED DOCUMENT.		DWN	19JUN96	TE Connectivity			
DIMENSIONS: mm [INCHES]		TRU-D	CHK				
TOLERANCES UNLESS OTHERWISE SPECIFIED:		APVD	NAME	SLIDE SWITCH, RA (MSSA-2350R)			
0 PLC ± -		PRODUCT SPEC					
1 PLC ± -		APPLICATION SPEC		SIZE	CAGE CODE	DRAWING NO	RESTRICTED TO
2 PLC ± 0.25[.010]				A2	00779	C=1825199	-
3 PLC ± -				SCALE		SHEET	REV
4 PLC ± -				2:1		1 of 1	B
ANGLES ± -				CUSTOMER DRAWING			
MATERIAL SEE SPECIFICATIONS		FINISH SEE SPECIFICATIONS					