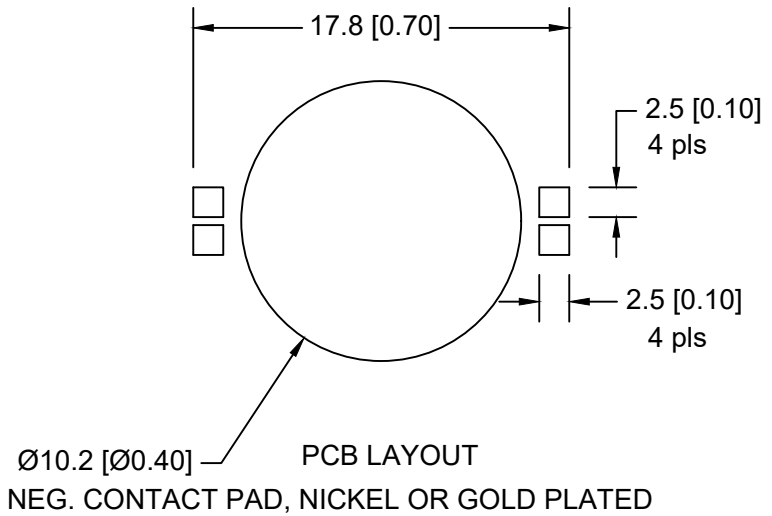
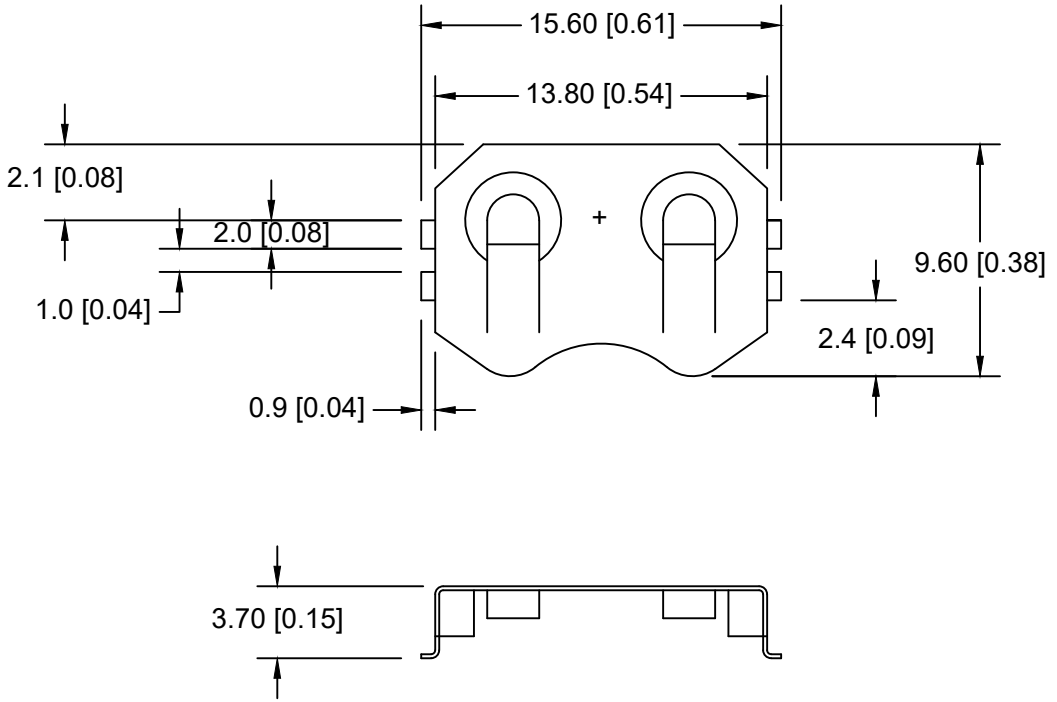



Date	SYM	REVISION RECORD	AUTH	DR.	CK.
07/19/18	C	Dim. 9.60 was 9.50 Changed Positive contact pad size	T.B.	B.S.	
08/14/18	D	Added Drop test result	T.B.	B.S.	
10/24/18	E	Dim. 15.60 was 15.30 Dim. 13.80 was 13.50 Dim. 3.70 was 3.60	T.B.	B.S.	



- NOTES:**
- MATERIAL:**  
0.25mm PHOSPHOR BRONZE, NICKEL PLATED OVERALL.  
ROHS 2 COMPLIANT
  - TEMPERATURE RANGE:** -40°C TO +270°C
  - VIBRATION TEST:** 10-50-10 HZ SWEEPED IN 60 SECONDS  
X,Y,Z DIRECTION: 1 HOUR EACH DIRECTION
  - RESULT:** NO DISLODGEEMENT OF THE CELL OR DAMAGE  
NO DISCONTINUITY OVER 10 MICRO-SECONDS
  - SHOCK TEST:** HALF SINE WAVE ACCELERATION 150G.  
6 MILLISECONDS  
3 SHOCK PULSES EACH DIRECTION PER  
AXIS, TOTAL OF 18 PULSES
  - RESULT:** NO EVIDENCE OF PHYSICAL DAMAGE
  - DROP TEST:** MOUNTED ON BOARD AND DROPPED 1 TIME PER  
DIRECTION FROM 1m HIGH TO WOODEN FLOOR
  - RESULTS:** NO DISLODGEEMENT OF THE CELL, NO DAMAGE TO THE  
HOLDERS

**WEIGHT:** 0.37grams

Tolerance (Except as noted)	 <b>Memory Protection Devices, Inc</b> 200 Broad Hollow Road, Farmingdale, New York 11735		
	decimal $\pm .1$ (.004)	Scale	Drawn By B.S. Approved By T.B.
Fractional $\pm .2$ (.008)	Title CR1216,1220,1225 BATTERY RETAINER		
Angular $\pm 0.5^\circ$	Date 10/24/18	Drawing Number BK-916	