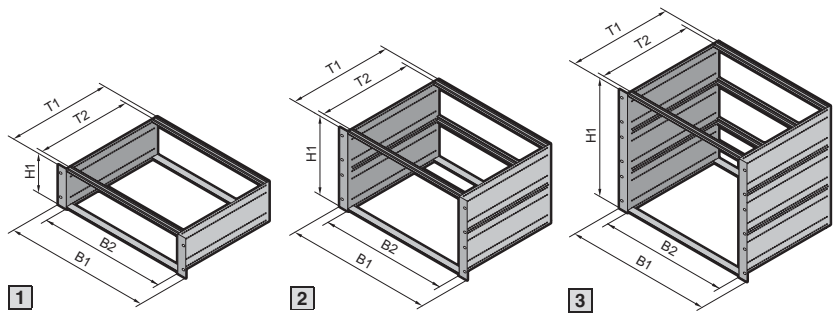


SUBRACKS Ripac VARIO

Ripac Vario 3 U, 6 U, 9 U



EMC upgradeable

B = Width
T = Depth

Material/surface finish:

Side panels:
2.5 mm aluminum, clear-chromated
flanges and horizontal rails:
Extruded aluminum section,
clear-chromated

Supply includes:

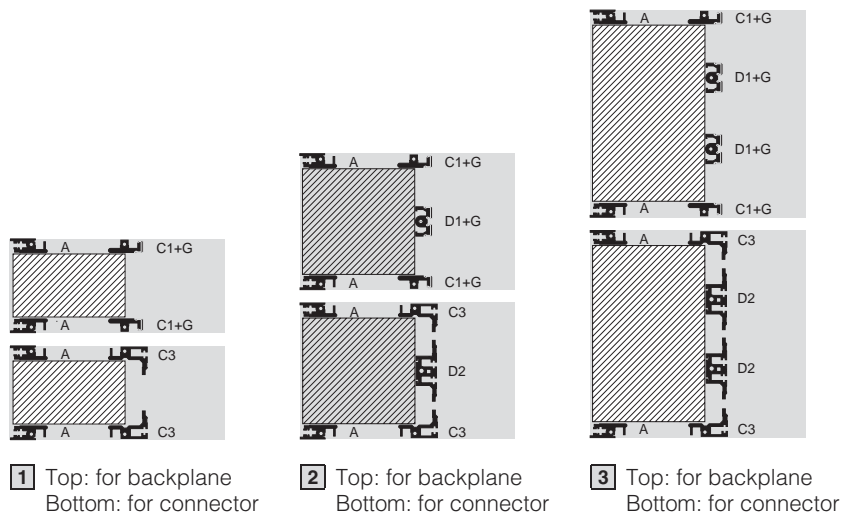
Flanges, side panels,
horizontal rails, threaded
inserts, insulating strips
or Z rails.

Tests:

Shock and vibration tested to:
IEC 600-68-2-6 test Fc
IEC 600-68-2-27 test Ea

Standards:

Ripac subracks are based on
the system dimensions of
IEC 60 297-3.



					Order No.					
					1		2		3	
					3	3	6	6	9	9
U					132		265.35		398.70	
Height (H1) mm					132		265.35		398.70	
B1 mm	B2 HP	Side panel (T1) mm	T2 mm	Max. PCB depth mm	For backplane	For connector IEC 60 603-2	For backplane	For connector IEC 60 603-2	For backplane	For connector IEC 60 603-2
482.6 (19')	84	185	160	160	3684.020	3684.034	3684.043	3684.056	-	-
		225	200	160	3684.021	3684.035	3684.044	3684.057	-	-
		245	220	220	3684.022	3684.036	3684.045	3684.058	-	-
		285	260	220	3684.023	3685.281	3684.046	-	-	-
		305	280	280	3685.231	3685.233	3685.238	3685.240	-	-
		345	320	280	3684.024	-	3684.047	-	3684.051	3684.059
		365	340	340	3685.232	3685.234	3685.239	-	-	-
		405	380	340	3684.025	-	3684.048	-	3684.052	3684.060
		465	440	400	3684.026	-	3684.049	-	3684.053	3684.061
		525	500	400	3684.027	-	3684.050	-	3684.054	-
585	560	400	-	-	-	-	3684.055	-		

Ripac Vario 4 U, 7 U



Material/surface finish:

Side panels:
2.5 mm aluminum, clear-chromated
Flanges and horizontal rails:
Extruded aluminum section, clear-chromated

Supply includes:

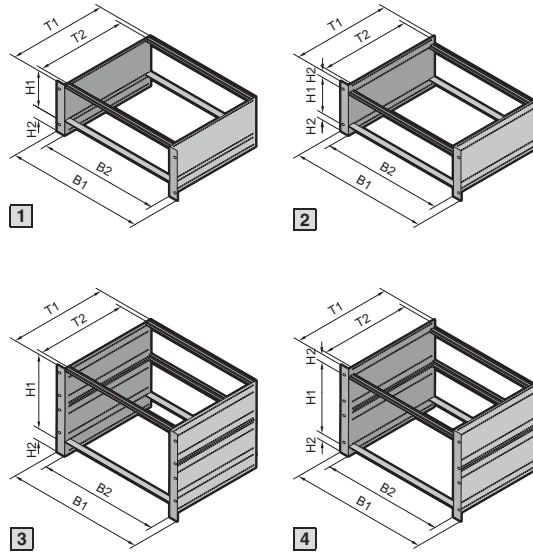
Flanges, side panels,
horizontal rails, threaded
inserts, insulating strips
or Z rails.

Tests:

Shock and vibration tested to:
IEC 600-68-2-6 test Fc
IEC 600-68-2-27 test Ea

Standards:

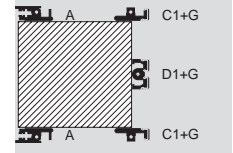
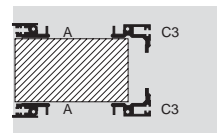
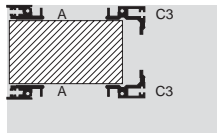
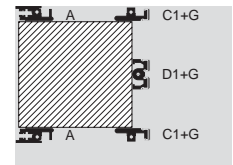
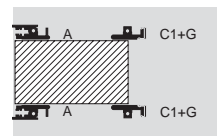
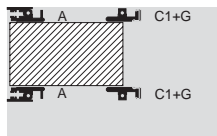
Ripac subracks are based on
the system dimensions of
IEC 60 297-3.



B = Width
T = Depth

EMC

upgradeable



1 Top: for backplane
Bottom: for connector

2 Top: for backplane
Bottom: for connector

3 Top: for backplane
(6 U + 1 U)

4 Bottom: for backplane
(6 U + 2 x 1/2 U)

					Order No.					
					1		2		3	4
U (H1 + H2)					4 (3 + 1)	4 (3 + 1)	4 (3 + 2 x 1/2)	4 (3 + 2 x 1/2)	7 (6 + 1)	7 (6 + 2 x 1/2)
B1 mm	B2 HP	Side panel (T1) mm	T2 mm	Max. PCB depth mm	For backplane	For connector IEC 60 603-2	For backplane	For connector IEC 60 603-2	For backplane	For backplane
482.6 (19")	84	245	220	220	3685.235	-	-	-	-	-
		285	260	220	3684.028	3684.037	3684.031	3684.040	-	-
		305	280	280	3685.236	-	-	-	-	-
		345	320	280	3684.029	3684.038	3684.032	3684.041	-	-
		365	340	340	3685.237	-	-	-	-	-
		405	380	340	3684.030	3684.039	3684.033	3684.042	3684.064	3684.062
		465	440	400	-	-	-	-	3684.065	3684.063