

Broadband DC Blocked Protector

DC blocked 50 ohm bulkhead mounted protector is ideal for two way radio and SCADA applications.

Features

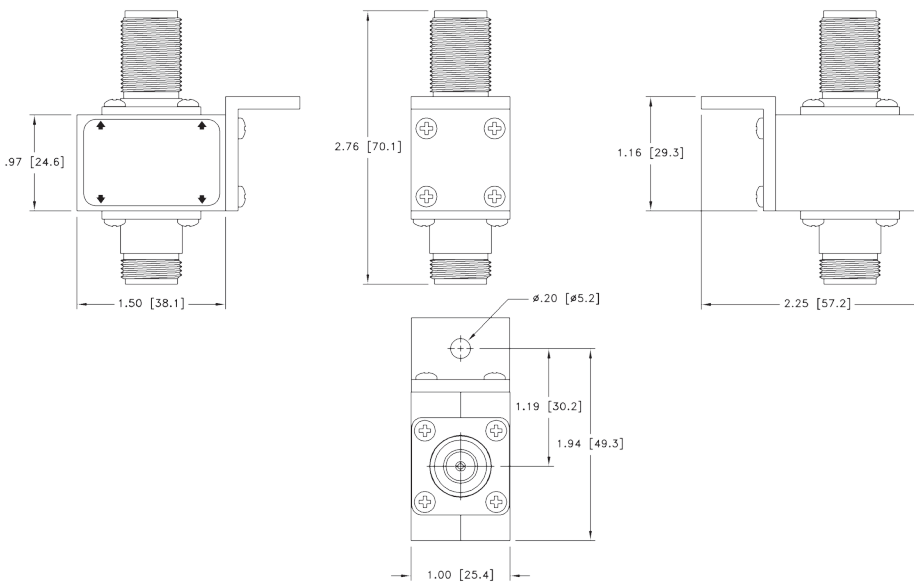
- Ideal for HF, UHF, VHF radios
- DC blocked gas tube design
- No DC continuity between center pins
- Multi-strike capability

Standards and Certificates

- RoHS compliant



PCT-BWS07



Technical Data

Mount Type: Bulkhead
Protected Side Connector: N Female
Surge Side Connector: N Female
Turn On Voltage: 600 VDC \pm 20%
RF Power: VHF 375 W, UHF 125 to 50 W

Mechanical Specifications

Model	Frequency Range	VSWR	Insertion Loss	Operating Temperature
PCT-BWS07	1.5-1000 MHz	$\leq 1.1:1$ over frequency range	≤ 0.1 dB	-45°C to 85°C