



- 1
- 2
- 3
- 4
- 5
- 6
- 7
- 8
- 9
- 10
- 11
- 12
- 13
- 14
- 15
- 16
- 17
- 18

MATERIAL

glass-fibre reinforced polyamide based (PA) technopolymer white colour similar to RAL 9002, matte finish.

STANDARD EXECUTION

Snap-in assembly (see Assembly Instructions).

ERGONOMY AND DESIGN

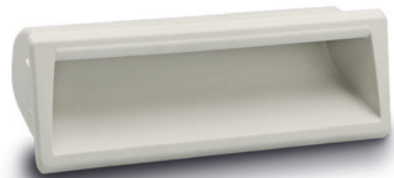
A modern design thanks to the compact shape. The internal profile of the cavity offers a safe, comfortable and ergonomic grip. PR-PF-CLEAN in white colour is particularly suitable for applications on medical and hospital equipment and for food processing machines.

TECHNICAL DATA

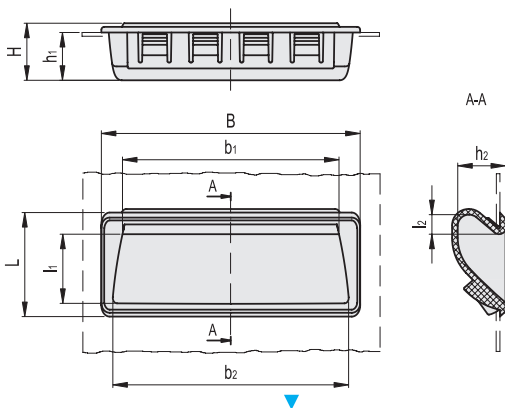
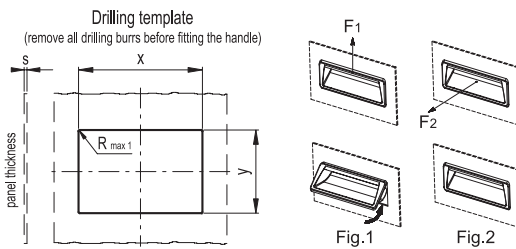
The lifting (F1) and pull out (F2) resistance values reported in the table are the result of laboratory tests carried out with handles assembled on strengthened metal sheet panels with thickness = 1.5 mm (strengthened for test purposes).

ASSEMBLY INSTRUCTIONS

1. Drill the handle housing according to the template dimensions.
2. Remove all drilling burrs before fitting the handle.
3. Fit the upper part of the handle into the housing (Fig.1).
4. Press onto the lower part until the handle is completely snapped in (Fig. 2).



ELESA Original design



Conversion Table	
1 mm = 0.039 inch	
B	
mm	inch
92	3.62
137	5.39

s	PR.92-PF		PR.137-PF		PR.189-PF	
	x	y	x	y	x	y
0.7±1	87.5 ^{+0.2}	30.5 ^{±0.1}	132 ^{+0.2}	30.5 ^{±0.1}	183 ^{+0.2}	39.2 ^{±0.1}
>1±1.5	87.5 ^{+0.2}	30.7 ^{±0.1}	132 ^{+0.2}	30.7 ^{±0.1}	183 ^{+0.2}	39.6 ^{±0.1}
>1.5±2	87.5 ^{+0.2}	31.7 ^{±0.1}	132 ^{+0.2}	31.7 ^{±0.1}	183 ^{+0.2}	40.1 ^{±0.1}
>2±2.2	87.5 ^{+0.2}	31.7 ^{±0.1}	132 ^{+0.2}	31.7 ^{±0.1}	183 ^{+0.2}	40.1 ^{±0.1}

METRIC

Code	Description	B	L	H	h1	h2	b1	b2	l1	l2	F1 [N]	F2 [N]	⚖
151081	PR.92-PF-CLEAN	92	37	19	17	17	76	83	25	7	1800	500	19
151086	PR.137-PF-CLEAN	137	37	19	17	17	122	128	25	7	1800	500	28
151091	PR.189-PF-CLEAN	189	44	23	21	21	172	177	28	11	1800	500	52

Handles