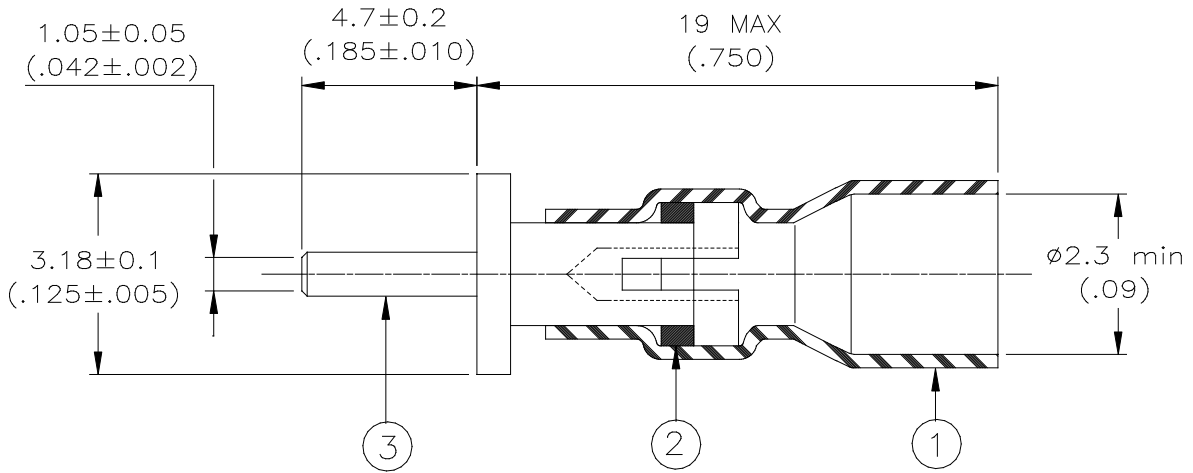


CUSTOMER DRAWING



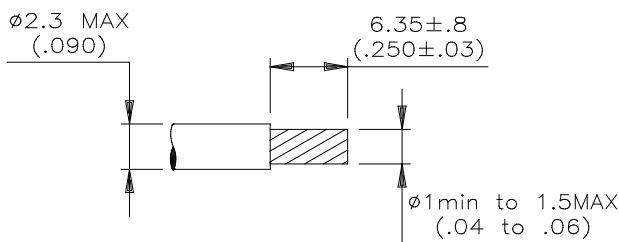
MATERIALS

1. INSULATION SLEEVE: Heat-shrinkable, transparent blue, radiation cross-linked modified polyvinylidene fluoride.
2. SOLDER PREFORM WITH FLUX:
 SOLDER: TYPE Sn63 per ANSI-J-STD-006.
 FLUX: TYPE ROL1 per ANSI-J-STD-004.
3. CONTACT PIN: Tin plated brass.
 Plating: Tin/Lead alloy over Nickel


APPLICATION

1. This part is designed to terminate 16 AWG through 20 AWG silver plated stranded conductors having insulation rated for at least 135°C.
2. This part is designed to terminate to PC boards 3.6-4.6 (.140-.180) thick having plated-thru holes Ø1.27±0.08 (Ø.050±.003).
3. Temperature range: -55°C to +150°C.
 Install using TE Connectivity approved convection heating tools.

For best results, prepare the cable as shown:



Twist conductors into their normal lay, prior to termination pre-tinning is recommended.

 TE Connectivity		TITLE: PCB TERMINATOR 16-20 AWG	
Unless otherwise specified dimensions are in millimeters. [Inches dimensions are shown in brackets]		Raychem Devices	
TOLERANCES: 0.00 N/A 0.0 N/A 0 N/A		DOCUMENT NO.: D-607-03	
ANGLES: N/A ROUGHNESS IN MICRON		REV: C1 DATE: April 16, 2021	
REVISOR BY: UNGUYEN		SCALE: NTS	
CAGE CODE: 06090		SIZE: A	
ECO NUMBER: ECO-21-004760		SHEET: 1 of 1	