



22W Compact LED Driver

The KAW/KCB series of compact LED drivers offers superior performance for small to medium size lighting fixtures, such as downlights, tracklights/spotlights and wall sconces where form factor, precise light control, quality of light and high reliability are critical factors.

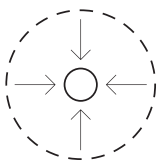
Product Offering

Power: 22 W
 Input: 220-240 V (50/60 Hz)
 Output: 600 mA (30-42 V)
 Dimming: Trailing Edge
 IP rating: IP20

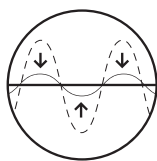


Features and Benefits

| | |
|-----------------|---|
| Compact Size | Specifically designed to fit in small lighting fixtures. |
| Flicker Free | World-class flicker free design ensures Percent Flicker less than 3% over the entire dimming range. |
| Deep Dimming | Excellent dimming performance to less than 1% with stable light output. |
| GloStart™ | Turn light on at low dimming level (i.e <10%). |
| 5 Year Warranty | Backed by the industry leading warranty of 5 years gives confidence in long term, maintenance free performance. |



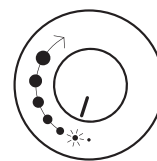
COMPACT SIZE



FLICKER FREE



DEEP DIMMING



GloStart™



5 YEAR WARRANTY





Input Characteristics

| | |
|--|-------------|
| Nominal Input Voltage Range AC | 220-240 VAC |
| Absolute Input Voltage Range AC | 198-264 VAC |
| Maximum Input Current @230 VAC / 50 Hz | 107 mA |
| Input Frequency | 50/60 Hz |
| Power Factor with Full Load | >0.9 |
| Efficiency | 83% |
| THD with Full Load | ≤20% |
| Maximum Inrush Current | <10 A |

Output Characteristics

| | |
|------------------------------|---------|
| Rated LED Output Power | 22 W |
| Nominal LED Output Current | 600 mA |
| LED Output Current Tolerance | ±5% |
| LED Output Voltage Range DC | 30-42 V |
| Startup Time | >0.5s |

Dimming Characteristics

| | |
|-----------------|---------------|
| Dimming Type | Trailing Edge |
| Dimming Range | 1% - 100% |
| Percent Flicker | <3% |





Environment Conditions

| | |
|--|--------------|
| Operating Ambient Temperature (Ta) Range | -10 to 45 °C |
| Maximum Operating Ambient Temperature (Ta max) | 45 °C |
| Maximum Operating Case Temperature (Tc max) | 80 °C |
| Storage Temperature | -20 to 85 °C |
| Humidity | 80% |
| Lifetime @ Tc max | 50,000 hours |

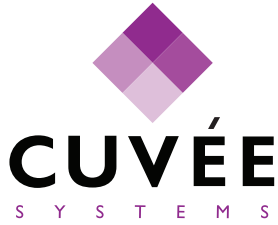
Mechanical Details

| | |
|------------|---------|
| Length (L) | 62.4 mm |
| Width (W) | 56.5 mm |
| Height (H) | 24 mm |
| Weight | 98.4 g |

Protection Features

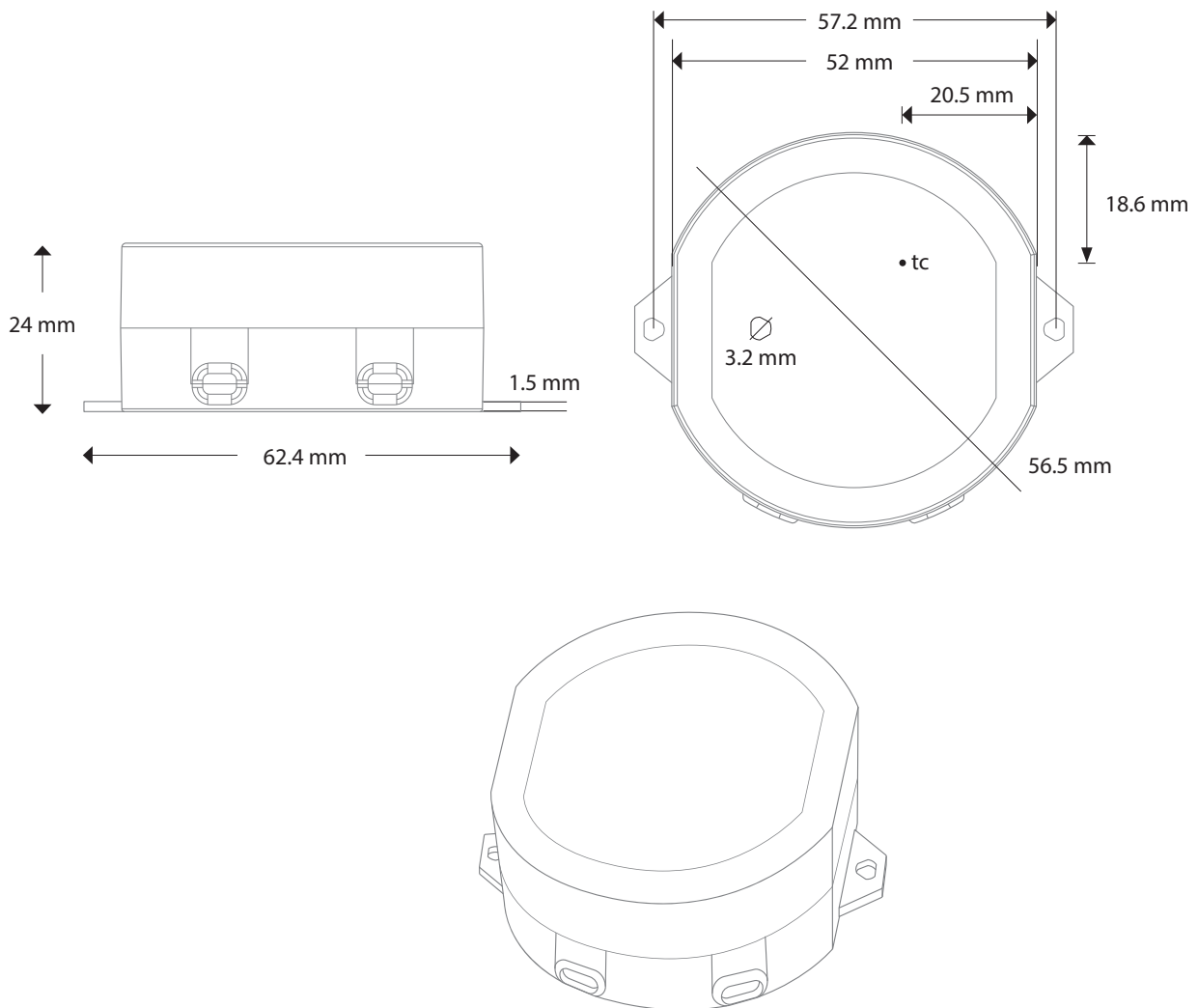
| | |
|---------------------------------|-------|
| Over Voltage Protection (OVP) | >43 V |
| Output Short-Circuit Protection | Yes |
| Surge Protection | 1 kV |





Outline Drawing

L x W x H
62.4 x 56.5 x 24 mm





Wire Specifications

| | |
|-------------------|--------|
| Input Wire | 22 AWG |
| Output Wire | 22 AWG |
| Wire Strip Length | 15 cm |

Ordering Information

KCB-22E60ITD/R

Certifications and Testing

EN 55015:2013 + A 1

EN 61000-3-2:2014

EN 61000-3-3:2013

EN 61347-1:2015

EN 61347-2-13:2014 + A 1

EN 61547:2009



Warranty

Warranty Period 5 years

