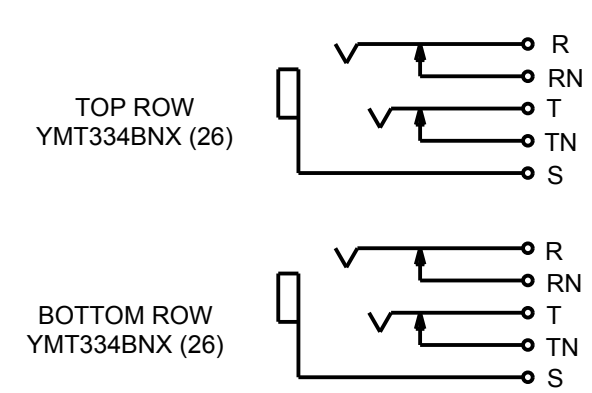
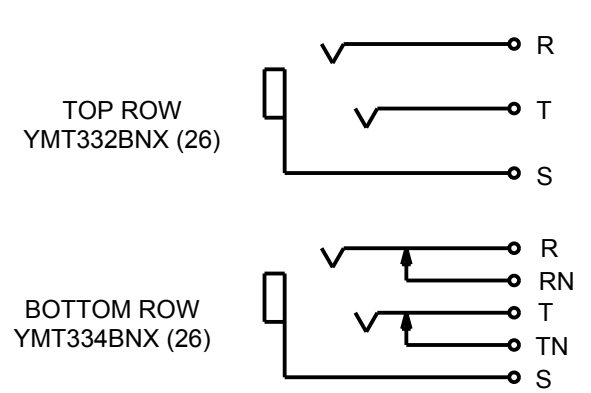


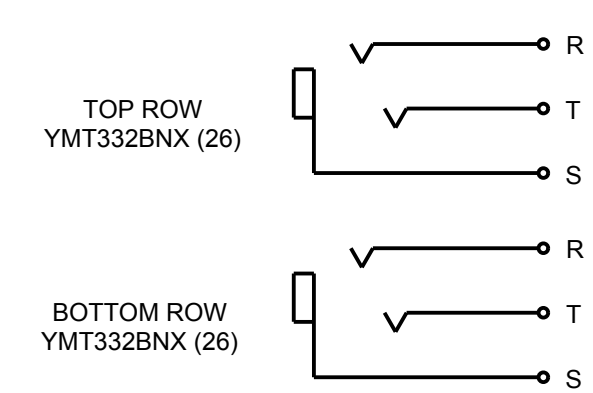
8 7 6 5 4 3 2 1



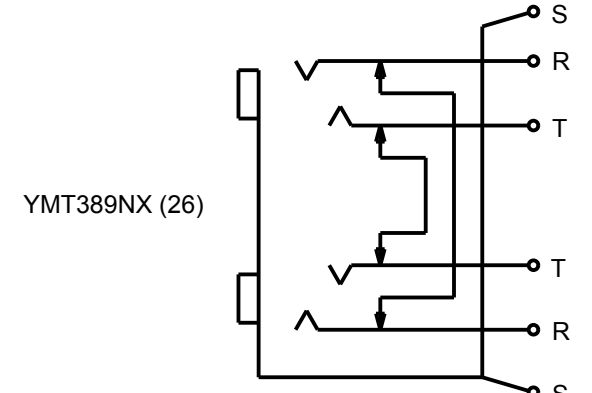
MT52FNX SCHEMATIC



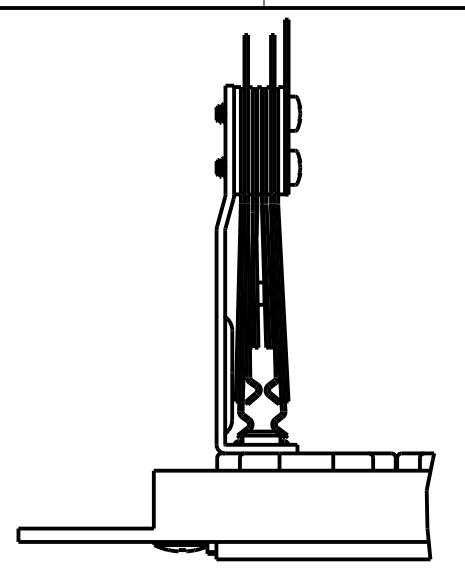
MT52HNX SCHEMATIC



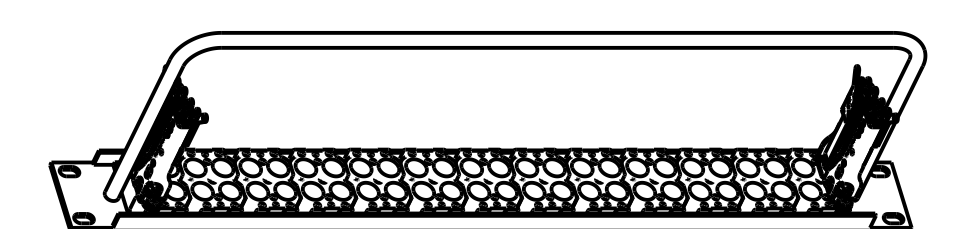
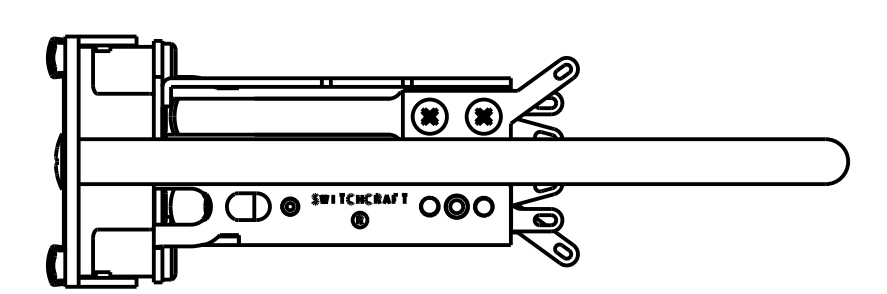
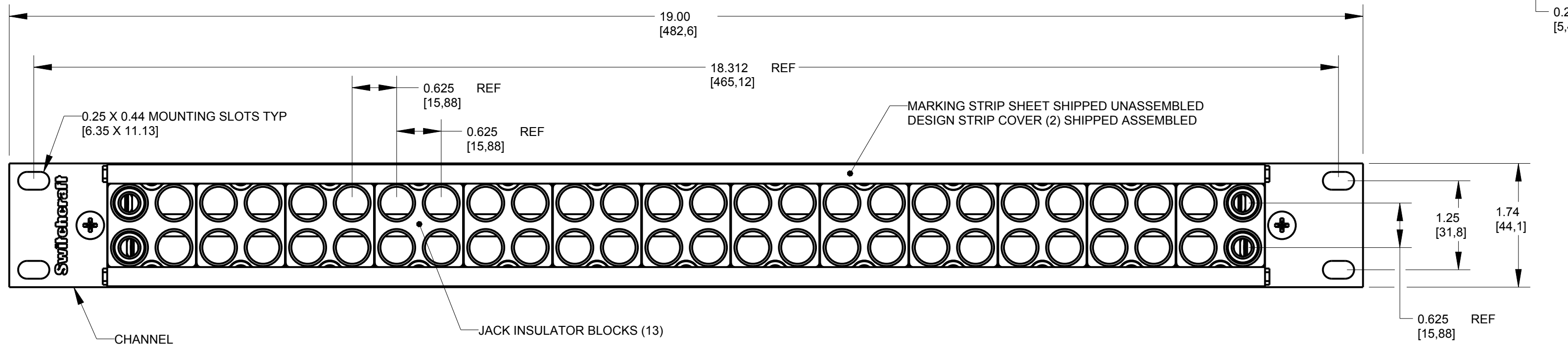
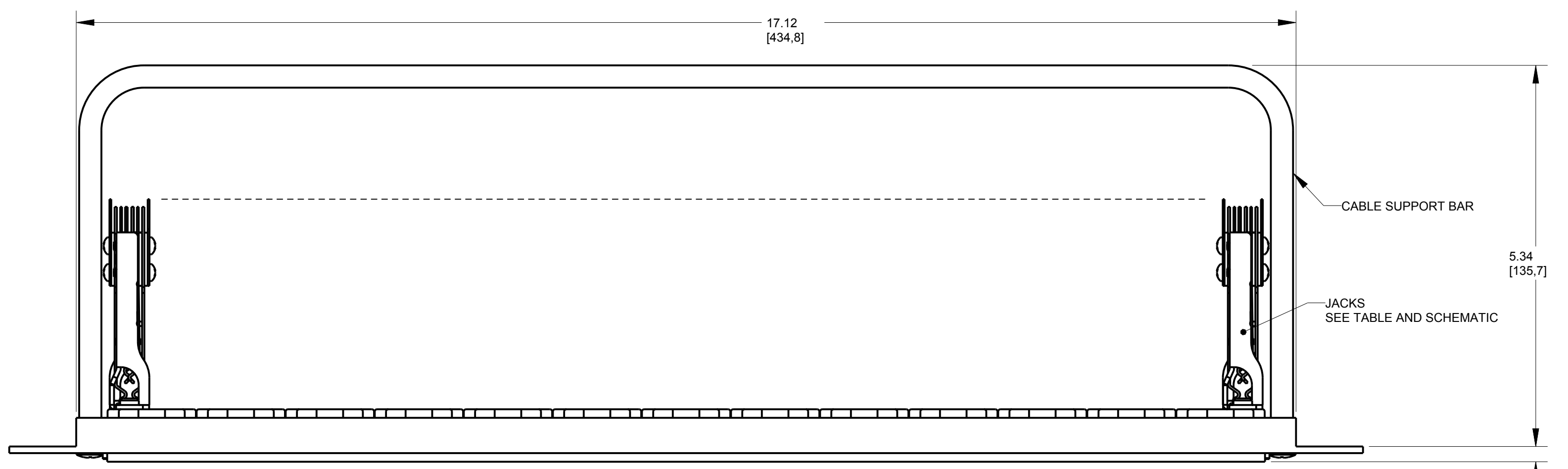
MT52NNX SCHEMATIC



MT52NSX SCHEMATIC



MT52NSX JACK ORIENTATION



SCALE 1:4 CUSTOMER DRAWING

PART NUMBER	TYPE	JACKS
MT52X	PANEL ONLY	NONE
MT52FNX	FULL NORMALS OUT	YMT334BNX (52)
MT52HNX	HALF NORMALS	1st ROW YMT332BNX (26) 2nd ROW YMT334BNX (26)
MT52NNX	NO NORMALS	YMT332BNX (52)
MT52NSX	NORMALS STRAPPED	YMT389NX (26)

- NOTES:
- MATERIALS:
CHANNEL - ALUMINUM, BLACK ANODIZED
CABLE SUPPORT BAR - STEEL, BLACK EPOXY PAINT
JACK INSULATOR BLOCKS - THERMOPLASTIC, BLACK
JACK FRAME - STEEL, NICKEL PLATED
JACK BUSHING - COPPER ALLOY, NICKEL PLATED
 - THESE PRODUCTS ARE RoHS COMPLIANT.

REV	ECO NUMBER	DATE	BY	APVD
C	27953	10-11-17	PC	TJK
B	25563	02-21-07	PC	TJK
A	25399	07-31-06	PC	TJK

★ STAR SYMBOL DENOTES CRITICAL DIMENSION

UNLESS OTHERWISE SPECIFIED

- ALL DIMENSIONS IN INCHES
-TWO PLACE DECIMALS ±0.01
-THREE PLACE DECIMALS ±0.005
-ANGLES ±1°
-ALL DIA. CONCENTRIC WITHIN 0.005 T.I.R.
- FEATURES ON THE SAME CENTERLINE MUST BE ALIGNED WITHIN ±0.002
- REMOVE ALL BURRS

DO NOT SCALE DRAWING

THIS DRAWING DESCRIBES A DESIGN CONSIDERED PROPRIETARY IN NATURE, DEVELOPED AND MANUFACTURED BY SWITCHCRAFT INC. AND IS RELEASED ON A CONFIDENTIAL BASIS FOR IDENTIFICATION PURPOSES ONLY.				
SIZE	WIDTH	MULT	LBS/M	TEMPER
FINISH		MATERIAL		
SPEC No.		SPEC No.		
FIRST USED ON		SCALE		
		3:4		
DATE DRAWN	BY	CHKD	APVD	
Feb-04-19	PC	PC	TJK	
NAME		PART No.		REV
JACK PANEL ASSEMBLY, RoHS		MT52 X SERIES		C