

NOTES:

1. THIS LIGHT PIPE ASSEMBLY TO BE USED WITH THE FOLLOWING 1X2 GANGED CAGE ASSEMBLIES:

747220001 - 1X2 GANGED CAGE ASSEMBLY W/ PRESS FIT LEGS (REFER TO DOCUMENT SD-74722-001 FOR CAGE DETAILS)

2. IT IS RECOMMENDED THAT THE CAGE ASSEMBLY BE PRESSED INTO THE PCB PRIOR TO ASSEMBLING THE LIGHT PIPE ASSEMBLY.

3. LED'S TO HAVE A MAXIMUM HEIGHT OF 1.4mm AND A MINIMUM HEIGHT 0.7mm.

4. RECOMMENDED LED'S INCLUDE THE FOLLOWING MANUFACTURERS:

- DIALIGHT: 597-77x1-5xx SERIES
- CHICAGO MINIATURE: 7016 SERIES
- KINGBRIGHT: APBL3025 SERIES (BICOLOR)
- APL3015 SERIES (SINGLE COLOR)

5. MATERIAL:

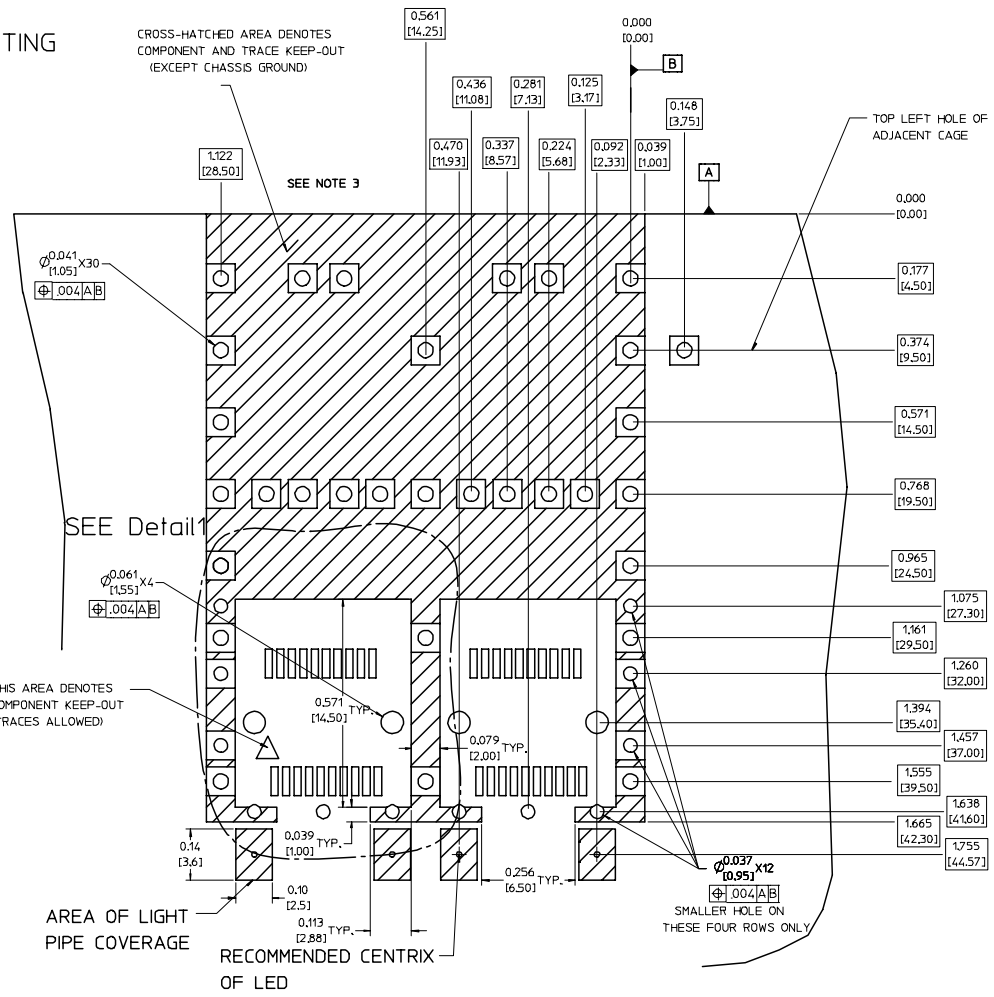
- SHEET METAL COVER: COPPER ALLOY
- LIGHT PIPE: UL94-V2 RATED PLASTIC

6. THIS PART MEETS THE RESTRICTION OF HAZARDOUS SUBSTANCES IN ELECTRICAL AND ELECTRONIC EQUIPMENT (ROHS) DIRECTIVE (2002/95/EC).

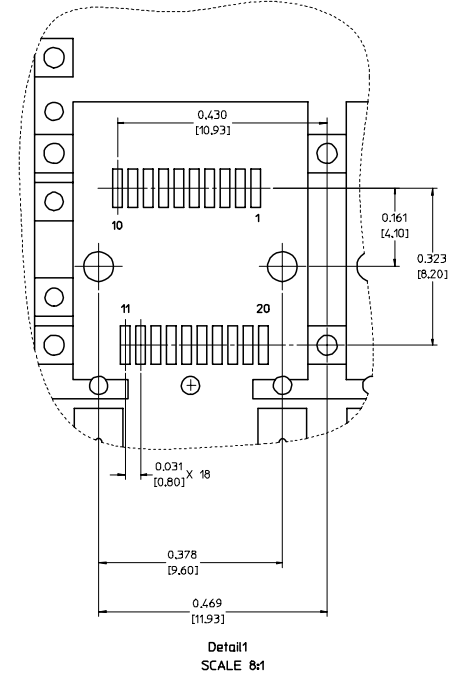
ENTER DESCRIPTION EC NO: USY2008-0195 DRAWN BY: DRWNGHRSR 2007/10/22 CHECKED BY: CHKCRHMOOD 2007/11/01 APPROVED BY: APPRBRHMOOD 2007/11/01 DESCRIPTION	QUALITY SYMBOLS	GENERAL TOLERANCES (UNLESS SPECIFIED)	DIMENSION STYLE	SCALE	DESIGN UNITS	THIRD ANGLE PROJECTION
	$\nabla=0$ $\nabla=0$	mm INCH 4 PLACES ± --- ± --- 3 PLACES ± --- ± .005 2 PLACES ± 0.13 ± .01 1 PLACE ± 0.25 ± --- ANGULAR ± 1 °	IN/MM 4:1	METRIC	DATE 2004/07/08 DATE 2004/07/08 DATE 2004/07/08	TITLE 1X2 SFP LIGHT PIPE ASSEMBLY, BACK-TOP
	DRAFT WHERE APPLICABLE MUST REMAIN WITHIN DIMENSIONS	MATERIAL NO: 747270001	DOCUMENT NO: SD-74727-001	MOLEX INCORPORATED	SHEET NO: 1 OF 5	
	SIZE D	THIS DRAWING CONTAINS INFORMATION THAT IS PROPRIETARY TO MOLEX INCORPORATED AND SHOULD NOT BE USED WITHOUT WRITTEN PERMISSION				

PCB LAYOUT FOR BELLY TO BELLY MOUNTING

CROSS-HATCHED AREA DENOTES
COMPONENT AND TRACE KEEP-OUT
(EXCEPT CHASSIS GROUND)



HOST CONNECTOR DETAIL



Detail1
SCALE 8:1

THIS AREA DENOTES
COMPONENT KEEP-OUT
(TRACES ALLOWED)

SEE Detail

AREA OF LIGHT
PIPE COVERAGE

RECOMMENDED CENTRIX
OF LED

- NOTES:
1. PADS AND VIAS GO TO CHASSIS GROUND.
 2. CAGE MOUNTING THRU HOLES (34 PLACES) TO BE PLATED.
 3. HOLE PATTERN REPEATS FOR EACH PORT, SPACING BETWEEN PORTS IS .561 [14.25].

ENTER DESCRIPTION EC NO: UST2008-095 DRAWN BY: DRWINHRSR 2007/10/22 CHECKED BY: CHKDRWHOOD 2007/11/01 APPROVED BY: APPR:BRHWOOD 2007/11/01 DESCRIPTION	QUALITY SYMBOLS	GENERAL TOLERANCES (UNLESS SPECIFIED)	DIMENSION STYLE	SCALE	DESIGN UNITS	THIRD ANGLE PROJECTION	
	$\nabla=0$ $\nabla=0$	mm INCH 4 PLACES ± --- ± --- 3 PLACES ± --- ± .005 2 PLACES ± 0.13 ± .01 1 PLACE ± 0.25 ± --- ANGULAR ± 1 °	IN/MM	6:1	METRIC		
	DRAWN BY: KS IMONSO CHECKED BY: BRUSSELL APPROVED BY: BRUSSELL	DATE: 2004/07/08 DATE: 2004/07/08 DATE: 2004/07/08	TITLE: 1X2 SFP LIGHT PIPE ASSEMBLY, BACK-TOP	MATERIAL NO: 747270001	DOCUMENT NO: SD-74727-001	MOLEX INCORPORATED	SHEET NO: 2 OF 5
	DRAFT WHERE APPLICABLE MUST REMAIN WITHIN DIMENSIONS		THIS DRAWING CONTAINS INFORMATION THAT IS PROPRIETARY TO MOLEX INCORPORATED AND SHOULD NOT BE USED WITHOUT WRITTEN PERMISSION				

PCB LAYOUT FOR SINGLE SIDE MOUNTING

CROSS-HATCHED AREA DENOTES
COMPONENT AND TRACE KEEP-OUT
(EXCEPT CHASSIS GROUND)

SEE NOTE 3

TOP LEFT HOLE
OF ADJACENT CAGE

THIS AREA DENOTES
COMPONENT KEEP-OUT
(TRACES ALLOWED)

AREA OF LIGHT
PIPE COVERAGE

RECOMMENDED CENTRIX
OF LED

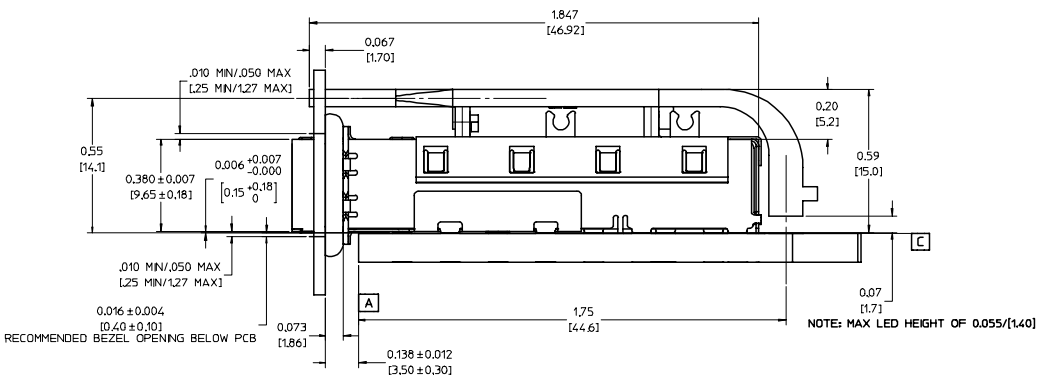
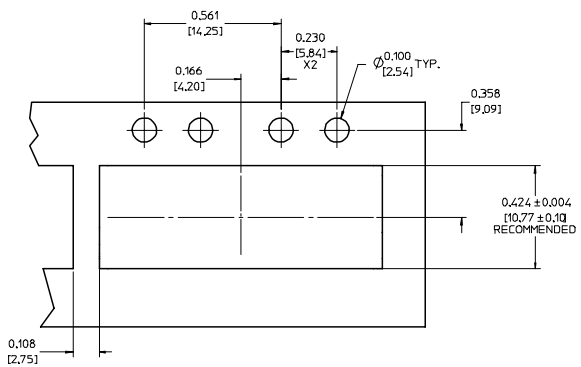
NOTES:

1. PADS AND VIAS GO TO CHASSIS GROUND.
2. CAGE MOUNTING THRU HOLES (19 PLACES) TO BE PLATED.
3. HOLE PATTERN REPEATS FOR EACH PORT.
SPACING BETWEEN PORTS IS .561 [14.25].

ENTER DESCRIPTION EC NO: UST2008-0095 DRAWN BY: DRWINCHIRSHY 2007/10/22 CHKDR: RAKHOOD 2007/11/01 APPR: RAKHOOD 2007/11/01 DESCRIPTION:	QUALITY SYMBOLS	GENERAL TOLERANCES (UNLESS SPECIFIED)	DIMENSION STYLE	SCALE	DESIGN UNITS	THIRD ANGLE PROJECTION	
	▽=0 ▽=0	4 PLACES ± --- ± --- 3 PLACES ± --- ± .005 2 PLACES ± 0.13 ± .01 1 PLACE ± 0.25 ± --- ANGULAR ± 1 °	IN/MM INCH	6:1	METRIC	DATE DATE DATE DATE	
	DRAWN BY: KS IMONSO 2004/07/08 CHECKED BY: BRUSSELL 2004/07/08 APPROVED BY: BRUSSELL 2004/07/08	TITLE 1X2 SFP LIGHT PIPE ASSEMBLY, BACK-TOP		MATERIAL NO: 747270001		DOCUMENT NO: SD-74727-001	
	DRAFT WHERE APPLICABLE MUST REMAIN WITHIN DIMENSIONS		SIZE D		MOLEX INCORPORATED SHEET NO. 3 OF 5		

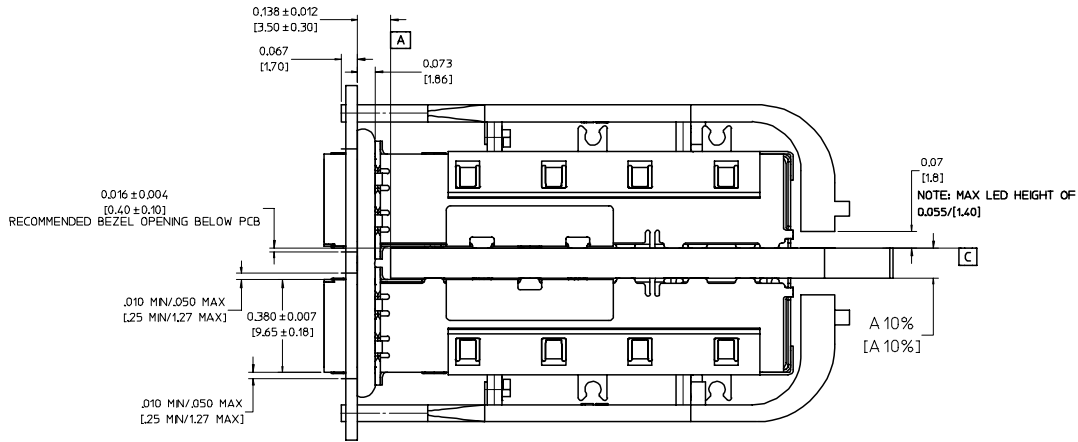
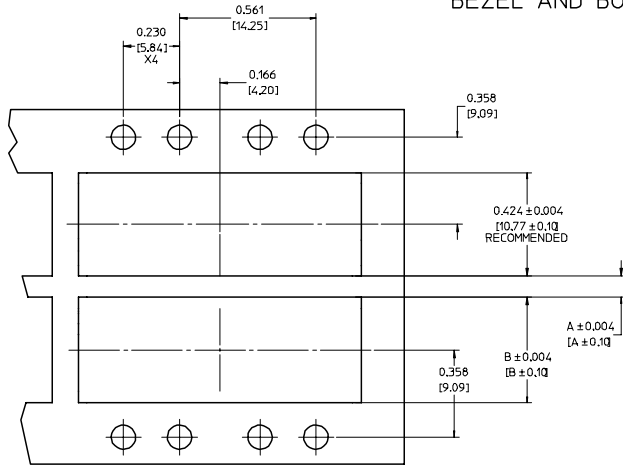
20 19 18 17 16 15 14 13 12 11 10 9 8 7 6 5 4 3 2 1

M
L
K
J
I
H
G
F
E
D
C
B
A



BEZEL AND BOARD POSITION DIMENSIONS FOR SINGLE SIDE MOUNTING

BEZEL AND BOARD POSITION DIMENSIONS FOR BELLY TO BELLY MOUNTING



NOTE: FOR A GIVEN BOARD THICKNESS (A), DIMENSIONS (B) AND (C) ARE DIRECTLY AFFECTED.

USE RECOMMENDED DIMENSIONS AND TOLERANCES TO AID IN DEVELOPING BEZEL OPENING.

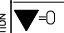
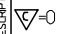


FOR EXAMPLE USING A BOARD THICKNESS OF .125" THE RECOMMENDED VALUES WOULD BE:

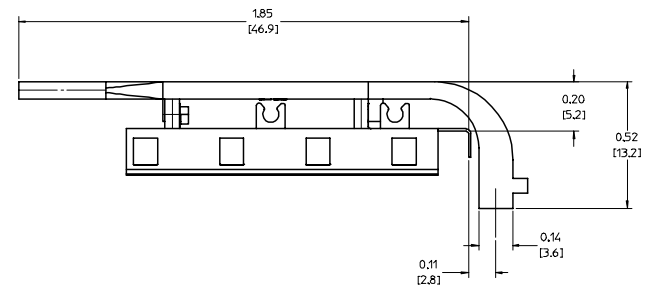
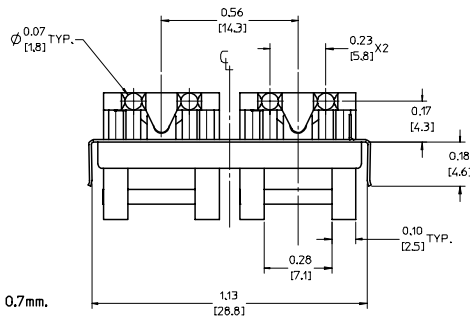
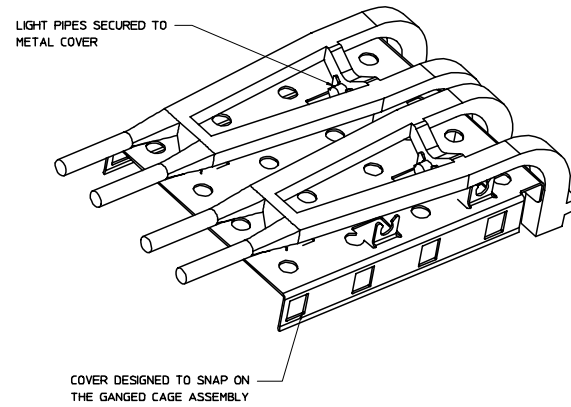
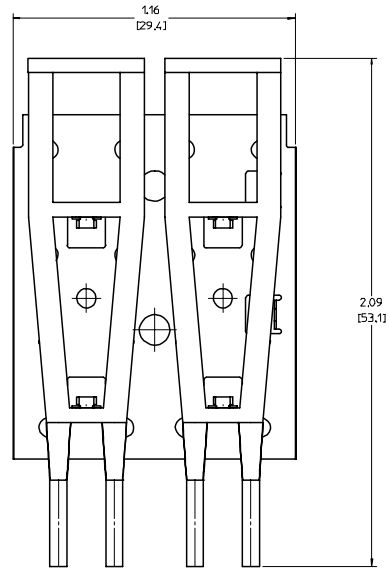
- A= .125/3.18 ± 10%
- B= .434/11.03 ± .004
- C= .088/2.23 ± .004

ENTER DESCRIPTION EC NO: UST2008-095 DRAWN BY: DRWINCHIRSHY 2007/10/22 CHECKED BY: CHIKORAHMOOD 2007/11/01 APPROVED BY: APPR:RAHMOOD 2007/11/01 REV DESCRIPTION	QUALITY SYMBOLS	GENERAL TOLERANCES (UNLESS SPECIFIED)	DIMENSION STYLE	SCALE	DESIGN UNITS	THIRD ANGLE PROJECTION	
	▽=0 ▽=0	4 PLACES ± --- ± --- 3 PLACES ± --- ± .005 2 PLACES ± 0.13 ± .01 1 PLACE ± 0.25 ± --- ANGULAR ± 1 °	IN/MM DATE DATE DATE	4:1	METRIC		
			DRAWN BY: KS IMONSO 2004/07/08			TITLE	1X2 SFP LIGHT PIPE ASSEMBLY, BACK-TOP
			CHECKED BY: BRUSSELL 2004/07/08			APPROVED BY: BRUSSELL 2004/07/08	MOLEX INCORPORATED
		DRAFT WHERE APPLICABLE MUST REMAIN WITHIN DIMENSIONS	MATERIAL NO: 747270001		DOCUMENT NO: SD-74727-001	SHEET NO: 4 OF 5	
			SIZE D	THIS DRAWING CONTAINS INFORMATION THAT IS PROPRIETARY TO MOLEX INCORPORATED AND SHOULD NOT BE USED WITHOUT WRITTEN PERMISSION			

19 18 17 16 15 14 13 12 11 10 9 8 7 6 5 4 3 2 1

DATE	REV	CHANGES	COMMENTS
2003/12/09	1	PRELIMINARY DOCUMENT	N/A
2004/07/08	A	INITIAL RELEASE	N/A
2005/06/03	B	CORRECTED P/N FOR DIALIGHT LED. UPDATED DIMENSIONS.	DOCUMENT CHANGE ONLY
2005/06/10	C	UPDATED VIEWS TO SHOW CLEARANCE HOLES ADDED TO THE COVER.	N/A
2007/10/22	D	ADDED COMPONENT MATERIAL INFORMATION TO NOTES SECTION OF SHEET 1	DOCUMENT CHANGE ONLY

ENTER DESCRIPTION EC NO: USY2008-0195 DRAWN BY: DRWINCHIRSHY 2007/10/22 CHECKED BY: CHFKORAHMOOD 2007/11/01 APPROVED BY: APPR:BRHMOOD 2007/11/01 REV DESCRIPTION	QUALITY SYMBOLS  = 0  = 0.05	GENERAL TOLERANCES (UNLESS SPECIFIED) <table border="1"> <thead> <tr> <th></th> <th>mm</th> <th>INCH</th> </tr> </thead> <tbody> <tr> <td>4 PLACES ±</td> <td>0.13</td> <td>±.005</td> </tr> <tr> <td>3 PLACES ±</td> <td>0.25</td> <td>±.01</td> </tr> <tr> <td>2 PLACES ±</td> <td>0.50</td> <td>±.02</td> </tr> <tr> <td>1 PLACE ±</td> <td>1.00</td> <td>±.04</td> </tr> <tr> <td>ANGULAR</td> <td colspan="2">± 1°</td> </tr> </tbody> </table>		mm	INCH	4 PLACES ±	0.13	±.005	3 PLACES ±	0.25	±.01	2 PLACES ±	0.50	±.02	1 PLACE ±	1.00	±.04	ANGULAR	± 1°		DIMENSION STYLE IN/MM DRAWN BY: KS IMONSO DATE: 2004/07/08 CHECKED BY: BRUSSELL DATE: 2004/07/08 APPROVED BY: BRUSSELL DATE: 2004/07/08	SCALE: 1:1 DESIGN UNITS: METRIC  THIRD ANGLE PROJECTION	TITLE 1X2 SFP LIGHT PIPE ASSEMBLY, BACK-TOP
		mm	INCH																				
4 PLACES ±	0.13	±.005																					
3 PLACES ±	0.25	±.01																					
2 PLACES ±	0.50	±.02																					
1 PLACE ±	1.00	±.04																					
ANGULAR	± 1°																						
DRAFT WHERE APPLICABLE MUST REMAIN WITHIN DIMENSIONS	MATERIAL NO: 747270001 SIZE: D	DOCUMENT NO: SD-74727-001  MOLEX INCORPORATED	SHEET NO: 5 OF 5																				



NOTES:

1. THIS LIGHT PIPE ASSEMBLY TO BE USED WITH THE FOLLOWING 1X2 GANGED CAGE ASSEMBLIES:

747220001 - 1X2 GANGED CAGE ASSEMBLY W/ PRESS FIT LEGS (REFER TO DOCUMENT SD-74722-001 FOR CAGE DETAILS)

2. IT IS RECOMMENDED THAT THE CAGE ASSEMBLY BE PRESSED INTO THE PCB PRIOR TO ASSEMBLING THE LIGHT PIPE ASSEMBLY.

3. LED'S TO HAVE A MAXIMUM HEIGHT OF 1.4mm AND A MINIMUM HEIGHT 0.7mm.

4. RECOMMENDED LED'S INCLUDE THE FOLLOWING MANUFACTURERS:

- DIALIGHT: 597-77x1-5xx SERIES
- CHICAGO MINIATURE: 7016 SERIES
- KINGBRIGHT: APBL3025 SERIES (BICOLOR)
- APL3015 SERIES (SINGLE COLOR)

5. MATERIAL:

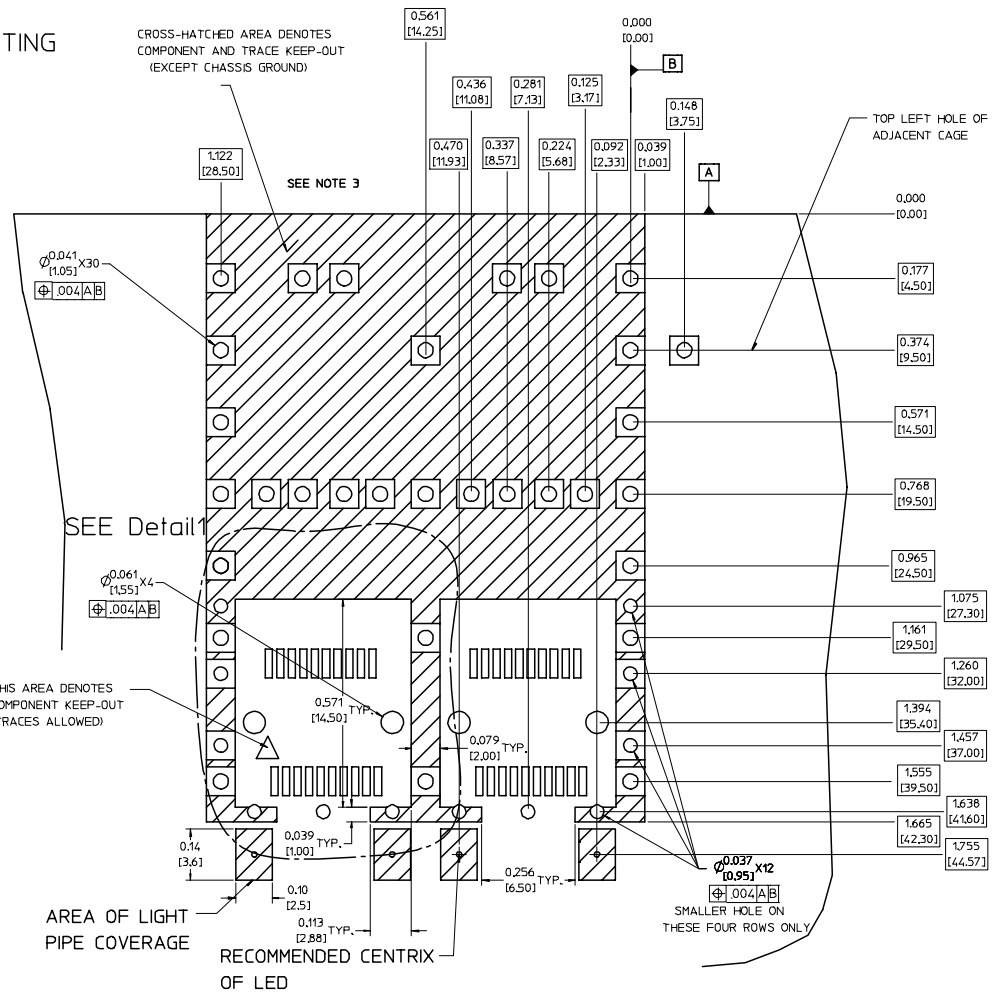
- SHEET METAL COVER: COPPER ALLOY
- LIGHT PIPE: UL94-V2 RATED PLASTIC

6. THIS PART MEETS THE RESTRICTION OF HAZARDOUS SUBSTANCES IN ELECTRICAL AND ELECTRONIC EQUIPMENT (ROHS) DIRECTIVE (2002/95/EC).

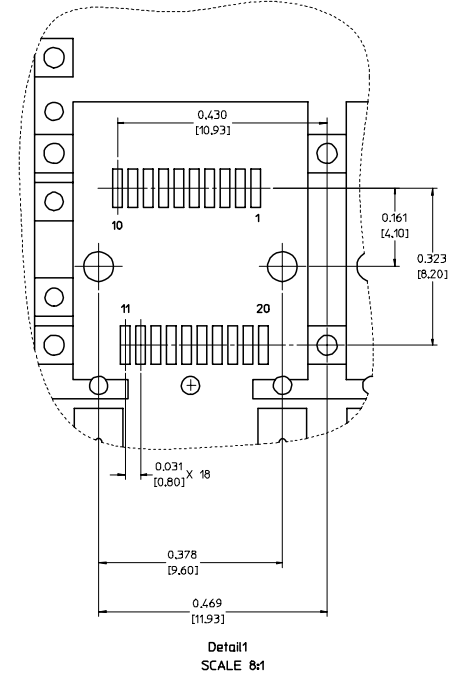
ENTER DESCRIPTION EC NO: USY2008-0195 DRAWN BY: DRWNGHRSR 2007/10/22 CHECKED BY: CHKCRHMOOD 2007/11/01 APPROVED BY: APPRBRHMOOD 2007/11/01 DESCRIPTION	QUALITY SYMBOLS ▽=0 ▽=0	GENERAL TOLERANCES (UNLESS SPECIFIED) <table border="1"> <tr> <th></th> <th>mm</th> <th>INCH</th> </tr> <tr> <td>4 PLACES ±</td> <td>---</td> <td>±---</td> </tr> <tr> <td>3 PLACES ±</td> <td>---</td> <td>±.005</td> </tr> <tr> <td>2 PLACES ±</td> <td>0.13</td> <td>±.01</td> </tr> <tr> <td>1 PLACE ±</td> <td>0.25</td> <td>±---</td> </tr> <tr> <td colspan="3">ANGULAR ± 1 °</td> </tr> </table>		mm	INCH	4 PLACES ±	---	±---	3 PLACES ±	---	±.005	2 PLACES ±	0.13	±.01	1 PLACE ±	0.25	±---	ANGULAR ± 1 °			DIMENSION STYLE IN/MM	SCALE 4:1	DESIGN UNITS METRIC	THIRD ANGLE PROJECTION
		mm	INCH																					
4 PLACES ±	---	±---																						
3 PLACES ±	---	±.005																						
2 PLACES ±	0.13	±.01																						
1 PLACE ±	0.25	±---																						
ANGULAR ± 1 °																								
DRAWN BY: KS IMONSO CHECKED BY: BRUSSELL APPROVED BY: BRUSSELL DATE: 2004/07/08 DATE: 2004/07/08 DATE: 2004/07/08	TITLE 1X2 SFP LIGHT PIPE ASSEMBLY, BACK-TOP	MATERIAL NO: 747270001	DOCUMENT NO: SD-74727-001	SHEET NO: 1 OF 5	MOLEX INCORPORATED THIS DRAWING CONTAINS INFORMATION THAT IS PROPRIETARY TO MOLEX INCORPORATED AND SHOULD NOT BE USED WITHOUT WRITTEN PERMISSION																			

PCB LAYOUT FOR BELLY TO BELLY MOUNTING

CROSS-HATCHED AREA DENOTES
COMPONENT AND TRACE KEEP-OUT
(EXCEPT CHASSIS GROUND)



HOST CONNECTOR DETAIL



Detail1
SCALE 8:1

THIS AREA DENOTES
COMPONENT KEEP-OUT
(TRACES ALLOWED)

SEE Detail

AREA OF LIGHT
PIPE COVERAGE

RECOMMENDED CENTRIX
OF LED

SMALLER HOLE ON
THESE FOUR ROWS ONLY

TOP LEFT HOLE OF
ADJACENT CAGE

- NOTES:
- PADS AND VIAS GO TO CHASSIS GROUND.
 - CAGE MOUNTING THRU HOLES (34 PLACES) TO BE PLATED.
 - HOLE PATTERN REPEATS FOR EACH PORT, SPACING BETWEEN PORTS IS .561 [14.25].

ENTER DESCRIPTION EC NO: UST2008-095 DRAWN BY: DRWINCHIRSHY 2007/10/22 CHECKED BY: CHKORAHMOOD 2007/11/01 APPROVED BY: APPR:BRHMOOD 2007/11/01 DESCRIPTION	QUALITY SYMBOLS	GENERAL TOLERANCES (UNLESS SPECIFIED)	DIMENSION STYLE	SCALE	DESIGN UNITS	THIRD ANGLE PROJECTION	
	$\nabla=0$ $\nabla=0$	mm INCH 4 PLACES ± --- ± --- 3 PLACES ± --- ± .005 2 PLACES ± 0.13 ± .01 1 PLACE ± 0.25 ± --- ANGULAR ± 1 °	IN/MM	6:1	METRIC		
			DRAWN BY: KS IMONSO CHECKED BY: BRUSSELL APPROVED BY: BRUSSELL	DATE: 2004/07/08 DATE: 2004/07/08 DATE: 2004/07/08		TITLE: 1X2 SFP LIGHT PIPE ASSEMBLY, BACK-TOP	
			MATERIAL NO: 747270001 DOCUMENT NO: SD-74727-001			MOLEX INCORPORATED	SHEET NO: 2 OF 5
DRAFT WHERE APPLICABLE MUST REMAIN WITHIN DIMENSIONS		THIS DRAWING CONTAINS INFORMATION THAT IS PROPRIETARY TO MOLEX INCORPORATED AND SHOULD NOT BE USED WITHOUT WRITTEN PERMISSION					

PCB LAYOUT FOR SINGLE SIDE MOUNTING

CROSS-HATCHED AREA DENOTES
COMPONENT AND TRACE KEEP-OUT
(EXCEPT CHASSIS GROUND)

SEE NOTE 3

TOP LEFT HOLE
OF ADJACENT CAGE

THIS AREA DENOTES
COMPONENT KEEP-OUT
(TRACES ALLOWED)

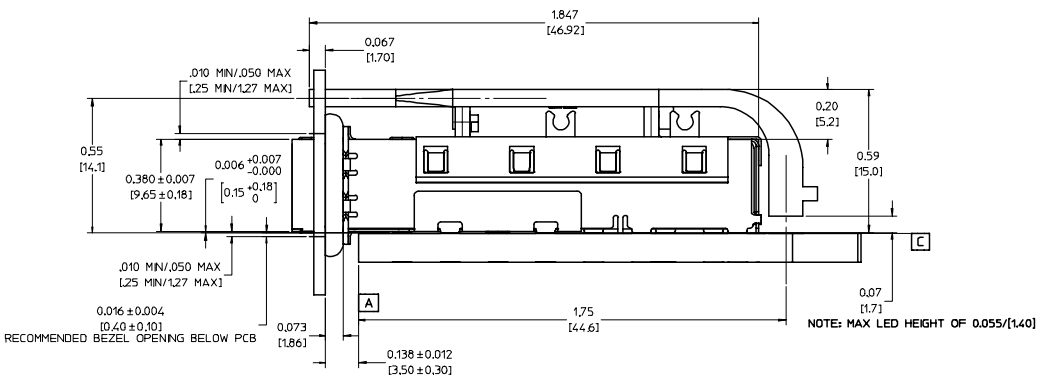
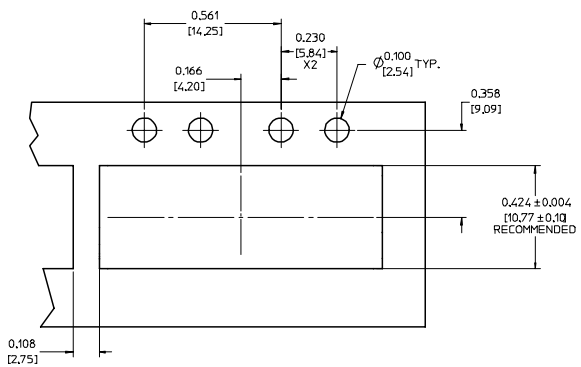
AREA OF LIGHT
PIPE COVERAGE

RECOMMENDED CENTRIX
OF LED

- NOTES:
1. PADS AND VIAS GO TO CHASSIS GROUND.
 2. CAGE MOUNTING THRU HOLES (19 PLACES) TO BE PLATED.
 3. HOLE PATTERN REPEATS FOR EACH PORT.
SPACING BETWEEN PORTS IS .561 [14.25].

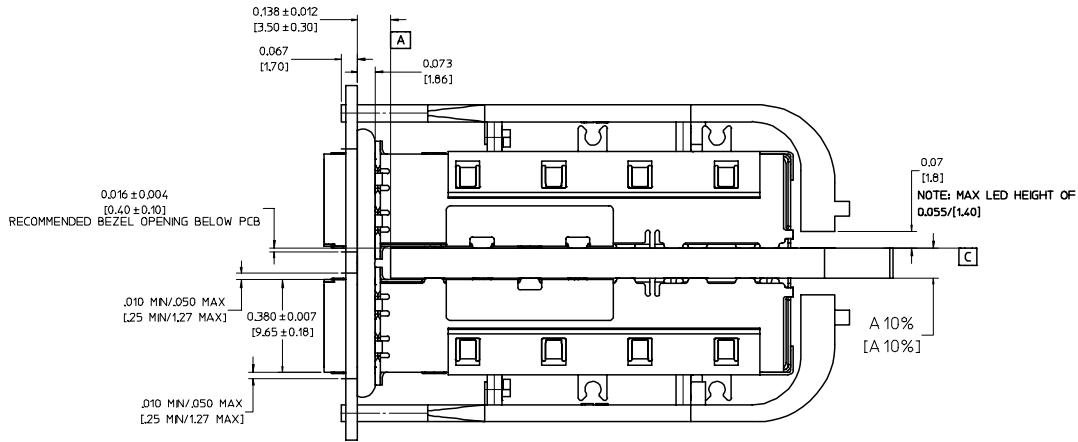
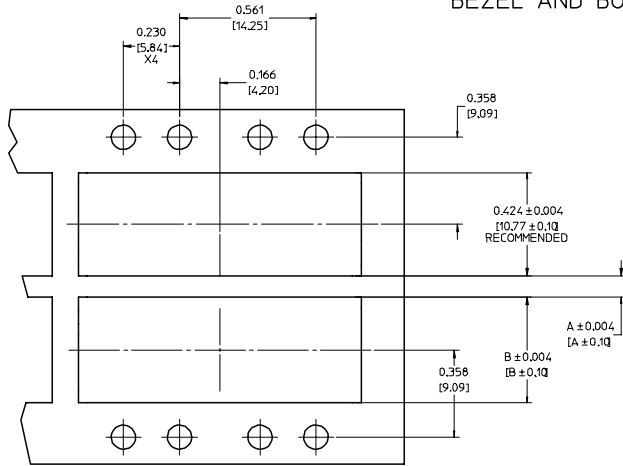
ENTER DESCRIPTION EC NO: US72008-0095 DRAWN BY: DRWINCHIRSHY 2007/10/22 CHKDR: RAKHOOD 2007/11/01 APPR: RAKHOOD 2007/11/01 DESCRIPTION:	QUALITY SYMBOLS	GENERAL TOLERANCES (UNLESS SPECIFIED)		DIMENSION STYLE	SCALE	DESIGN UNITS	THIRD ANGLE PROJECTION	
	$\nabla=0$ $\nabla=0$	mm	INCH	IN/MM	6:1	METRIC		
	4 PLACES ± --- ± --- 3 PLACES ± --- ± .005 2 PLACES ± 0.13 ± .01 1 PLACE ± 0.25 ± --- ANGULAR ± 1 °	DRAWN BY: KS IMONSO 2004/07/08 CHECKED BY: BRUSSELL 2004/07/08 APPROVED BY: BRUSSELL 2004/07/08	DATE DATE DATE		TITLE 1X2 SFP LIGHT PIPE ASSEMBLY, BACK-TOP			
	DRAFT WHERE APPLICABLE MUST REMAIN WITHIN DIMENSIONS	MATERIAL NO: 747270001		DOCUMENT NO: SD-74727-001		MOLEX INCORPORATED		
	SIZE: D		THIS DRAWING CONTAINS INFORMATION THAT IS PROPRIETARY TO MOLEX INCORPORATED AND SHOULD NOT BE USED WITHOUT WRITTEN PERMISSION		SHEET NO: 3 OF 5			

20 19 18 17 16 15 14 13 12 11 10 9 8 7 6 5 4 3 2 1



BEZEL AND BOARD POSITION DIMENSIONS FOR SINGLE SIDE MOUNTING

BEZEL AND BOARD POSITION DIMENSIONS FOR BELLY TO BELLY MOUNTING



NOTE: FOR A GIVEN BOARD THICKNESS (A), DIMENSIONS (B) AND (C) ARE DIRECTLY AFFECTED.

USE RECOMMENDED DIMENSIONS AND TOLERANCES TO AID IN DEVELOPING BEZEL OPENING.

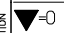
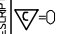


FOR EXAMPLE USING A BOARD THICKNESS OF .125" THE RECOMMENDED VALUES WOULD BE:

- A= .125/3.18 ± 10%
- B= .434/11.03 ± .004
- C= .088/2.23 ± .004

ENTER DESCRIPTION EC NO: UST2008-095 DRAWN BY: DRWINCHIRSHY 2007/10/22 CHECKED BY: CHIKORAHMOOD 2007/11/01 APPROVED BY: APPR:RAHMOOD 2007/11/01 REV DESCRIPTION	QUALITY SYMBOLS	GENERAL TOLERANCES (UNLESS SPECIFIED)	DIMENSION STYLE	SCALE	DESIGN UNITS	THIRD ANGLE PROJECTION
	▽=0 ▽=0	4 PLACES ± --- ± --- 3 PLACES ± --- ± .005 2 PLACES ± 0.13 ± .01 1 PLACE ± 0.25 ± --- ANGULAR ± 1 °	IN/MM DATE DATE DATE	4:1	METRIC	
	DRAFT WHERE APPLICABLE MUST REMAIN WITHIN DIMENSIONS		MATERIAL NO: 747270001 DOCUMENT NO: SD-74727-001		TITLE: 1X2 SFP LIGHT PIPE ASSEMBLY, BACK-TOP MOLEX INCORPORATED	

19 18 17 16 15 14 13 12 11 10 9 8 7 6 5 4 3 2 1

DATE	REV	CHANGES	COMMENTS
2003/12/09	1	PRELIMINARY DOCUMENT	N/A
2004/07/08	A	INITIAL RELEASE	N/A
2005/06/03	B	CORRECTED P/N FOR DIALIGHT LED. UPDATED DIMENSIONS.	DOCUMENT CHANGE ONLY
2005/06/10	C	UPDATED VIEWS TO SHOW CLEARANCE HOLES ADDED TO THE COVER.	N/A
2007/10/22	D	ADDED COMPONENT MATERIAL INFORMATION TO NOTES SECTION OF SHEET 1	DOCUMENT CHANGE ONLY

ENTER DESCRIPTION EC NO: USY2008-0195 DRAWN BY: DRWINCHIRSHY 2007/10/22 CHECKED BY: CHFKORAHMOOD 2007/11/01 APPROVED BY: APPR:BRHMOOD 2007/11/01 REV DESCRIPTION	QUALITY SYMBOLS  = 0  = 0.05	GENERAL TOLERANCES (UNLESS SPECIFIED) <table border="1"> <thead> <tr> <th></th> <th>mm</th> <th>INCH</th> </tr> </thead> <tbody> <tr> <td>4 PLACES ±</td> <td>0.13</td> <td>±.005</td> </tr> <tr> <td>3 PLACES ±</td> <td>0.25</td> <td>±.01</td> </tr> <tr> <td>2 PLACES ±</td> <td>0.50</td> <td>±.02</td> </tr> <tr> <td>1 PLACE ±</td> <td>1.00</td> <td>±.05</td> </tr> <tr> <td>ANGULAR</td> <td colspan="2">± 1°</td> </tr> </tbody> </table>		mm	INCH	4 PLACES ±	0.13	±.005	3 PLACES ±	0.25	±.01	2 PLACES ±	0.50	±.02	1 PLACE ±	1.00	±.05	ANGULAR	± 1°		DIMENSION STYLE IN/MM DRAWN BY: KS IMONSO CHECKED BY: BRUSSELL APPROVED BY: BRUSSELL	SCALE 1:1 DESIGN UNITS METRIC	 THIRD ANGLE PROJECTION TITLE 1X2 SFP LIGHT PIPE ASSEMBLY, BACK-TOP  MOLEX INCORPORATED	MATERIAL NO. 747270001 DOCUMENT NO. SD-74727-001 SHEET NO. 5 OF 5
		mm	INCH																					
4 PLACES ±	0.13	±.005																						
3 PLACES ±	0.25	±.01																						
2 PLACES ±	0.50	±.02																						
1 PLACE ±	1.00	±.05																						
ANGULAR	± 1°																							
DRAFT WHERE APPLICABLE MUST REMAIN WITHIN DIMENSIONS		THIS DRAWING CONTAINS INFORMATION THAT IS PROPRIETARY TO MOLEX INCORPORATED AND SHOULD NOT BE USED WITHOUT WRITTEN PERMISSION																						