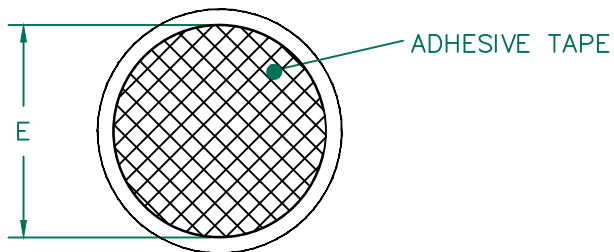
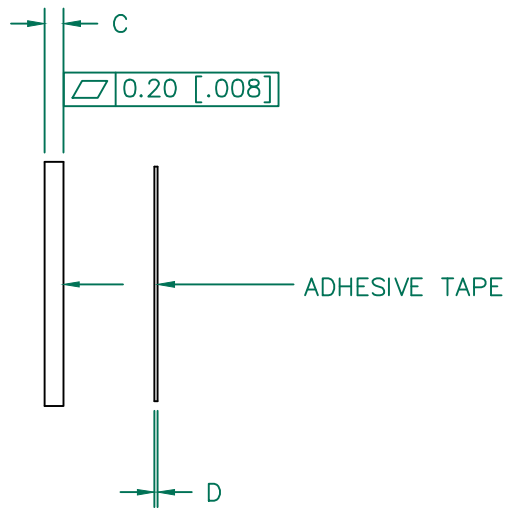
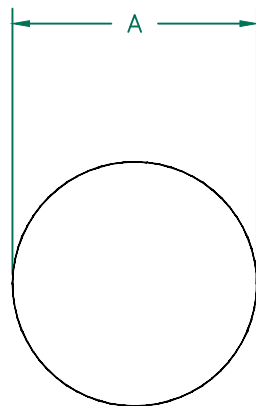


SCALE DRAWING 1:1

MM0650-100



NOTES:

1. CORE: MM0650-1B0.
2. ADHESIVE P/N: 21212.
3. REFERENCE 3M TAPE 468MP ADHESIVE TRANSFER TAPE OR ENGINEER APPROVED ALTERNATIVE.
4. COSMETIC SPECIFICATION REFER TO WI-QA-038.

DIMENSIONS:

A	16.51 [.650]	+	0.38 [.015]
B	-	+	-
C	1.27 [.050]	+	0.13 [.005]
D	0.13 [.005]	+	TYP.
E	13.00 [.512]	+	TYP.

WEIGHT/1000 1.35 kgs [2.97 Lbs]

DIMENSIONS ARE IN mm [INCHES].				This print is the property of Laird Tech. and is loaned in confidence subject to return upon request and with the understanding that no copies shall be made without the written consent of Laird Tech. All rights to design or invention are reserved.			
Q	UPDATE THE LOGO AND NOTE 4	06/19/15	QIU	PROJECT/PART NUMBER:	REV	PART TYPE:	DRAWN BY:
P	CHANGE DIMENSION D	07/08/09	JRK	MM0650-100	Q	FERRITE DISK	JRK
N	REM PULLTAB REV NOTE #3	06/09/09	JRK	DATE:	SCALE:	MATERIAL:	
M	UPDATE COMPANY LOGO AND NOTE #3	12/04/08	JRK	05/23/97	2 : 1	Ferrite	
L	UPDATE PRINT FORMAT	12/06/05	JRK	CAD #	TOOL #		
REV	DESCRIPTION	DATE	INT	MM0650-100-Q	M0650		