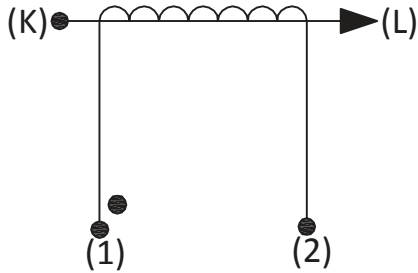


Product Type	Current Transformer
AMGIS Part Number	CT1025

SCHEMATIC:



ELECTRICAL SPECIFICATION:

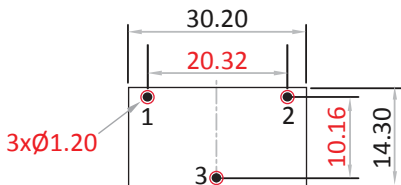
Rated input current	= 25Amps
Primary to Secondary isolation	= 2500VAC
Operating Frequency	= 50 / 60 Hz
Turns Ratio	= 1 : 1000
DC Resistance	= 48.00 Ω
Output Voltage	= 2.5V @ 25A / 100 Ω , 0.0630W
Io @ Vrms : 3.65V	= 566 μ Arms
Ratio Correction factor (RCF*)	= 1.02 @ 10% (Multiply current reading by this factor to compensate for transformer losses)

Volt/Amp at rated Ip for different loads			
100 Ω	500 Ω	2000 Ω	5000 Ω
0.10	0.47	1.06	1.31

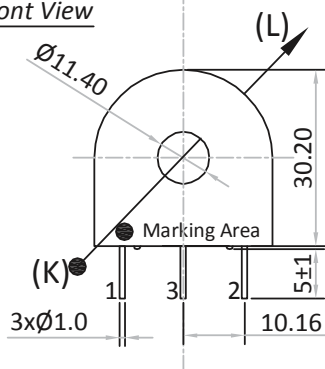
MECHANICAL SPECIFICATION :

OUTPUT RESPONSE vs INPUT CURRENT @ RATED BURDEN :

Top View (Suggested Pad Layout)

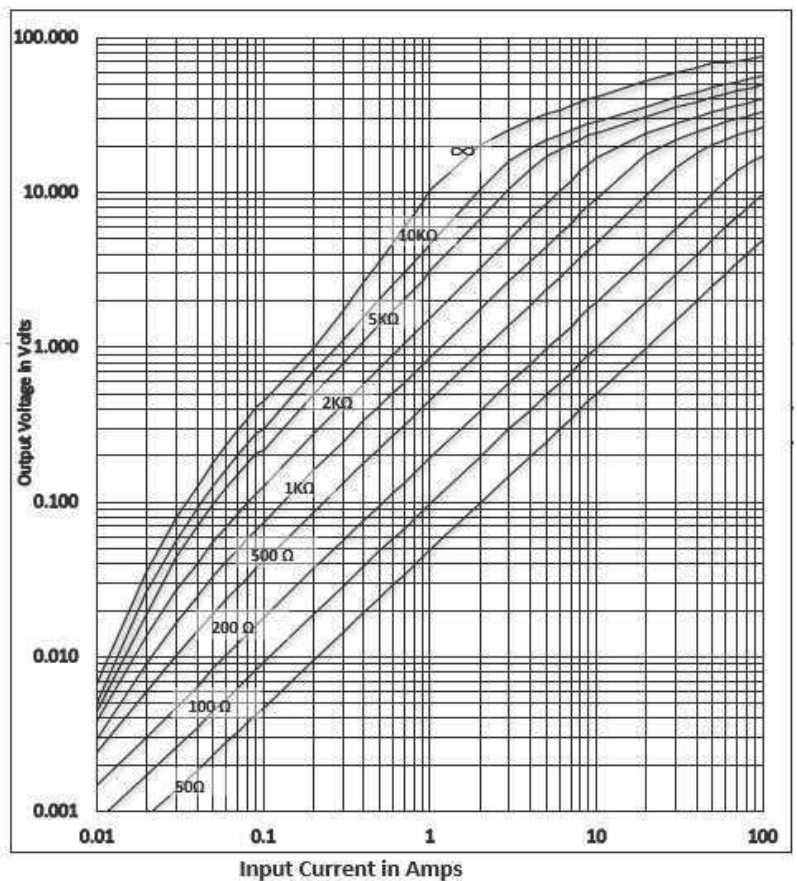


Front View

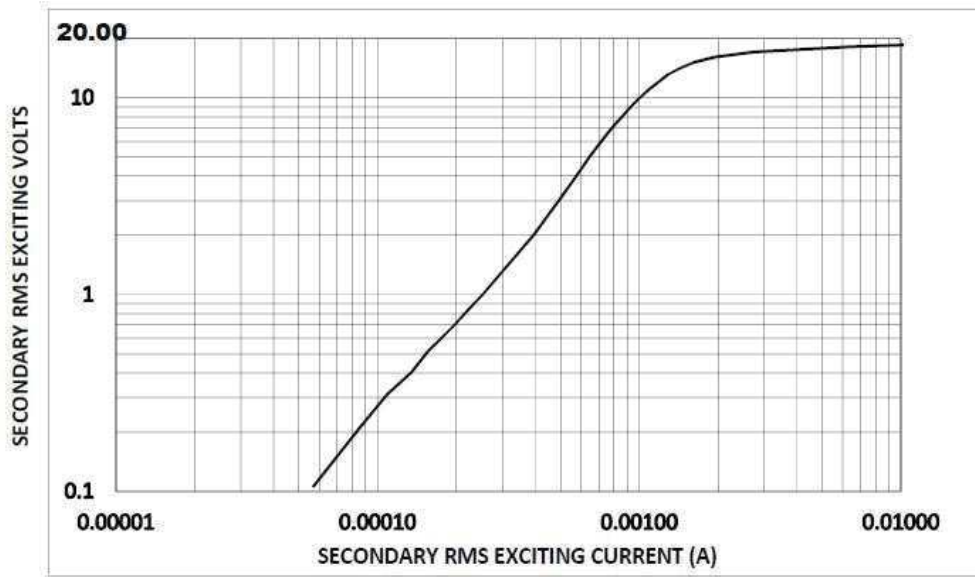


All dimensions are in mm
Linear dimensional tolerance ± 0.2 mm

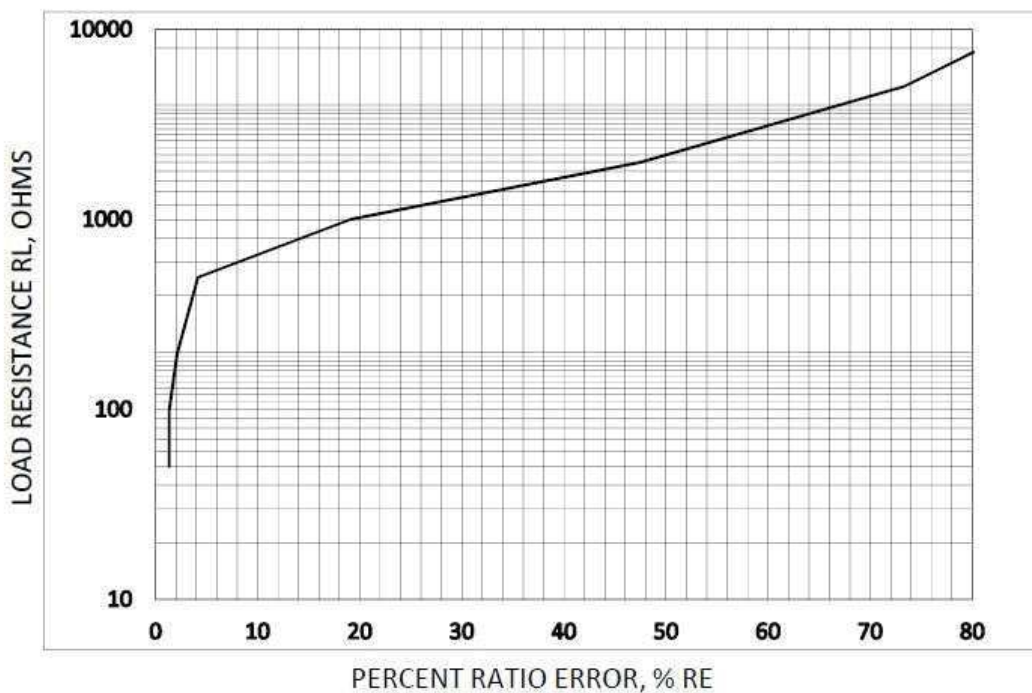
Note : Un-Used pin \rightarrow #3



TYPICAL EXCITATION CURVE :



RATIO ERROR (%) vs RATED BURDEN @ INPUT CURRENT :



TRAFO WEIGHT:

Approx. Weight = 0.0355 kg / pc

MARKING INFORMATION:

Amgis
CT1025
Yr/Wk code
●
Dot mark for Start pin identification

-----Initial Issue-----	1	0	Balaji. R	18-Nov'2015
Changes	Issue	Rev	Initial	Date