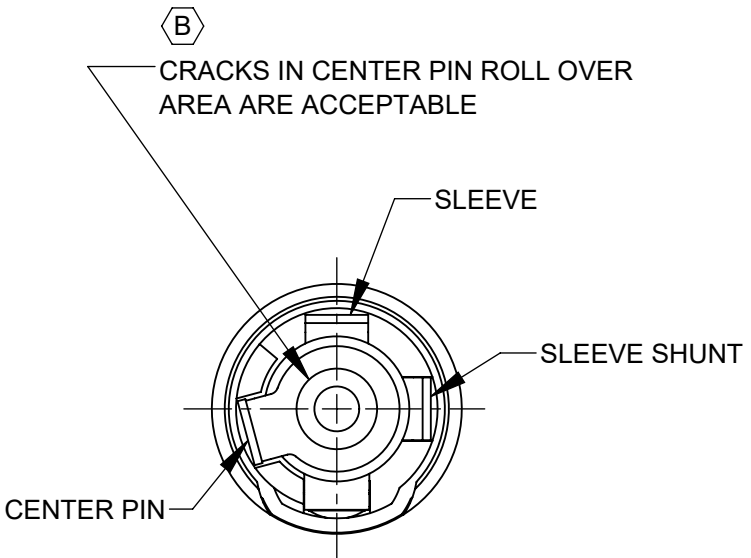
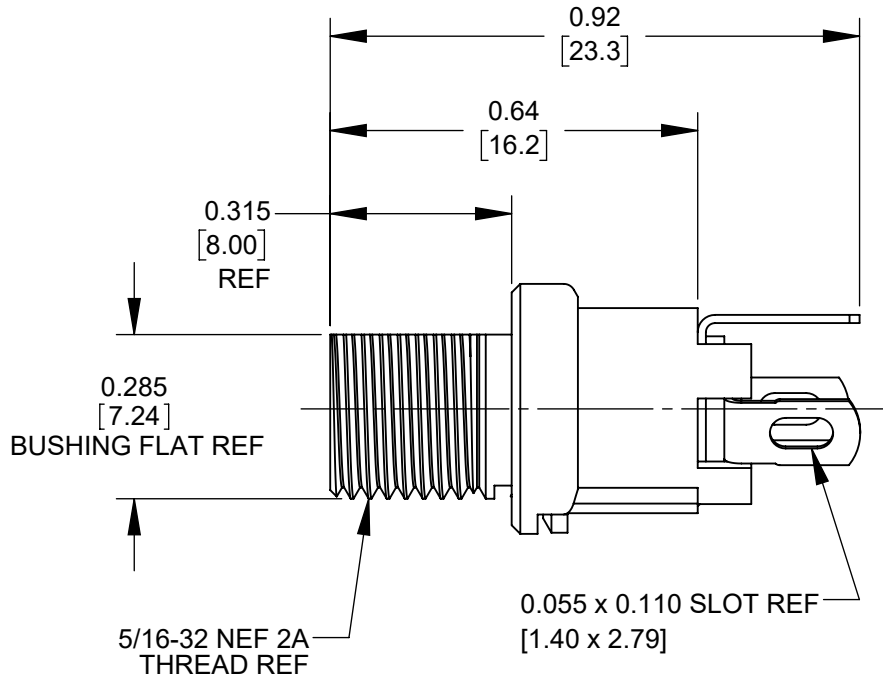
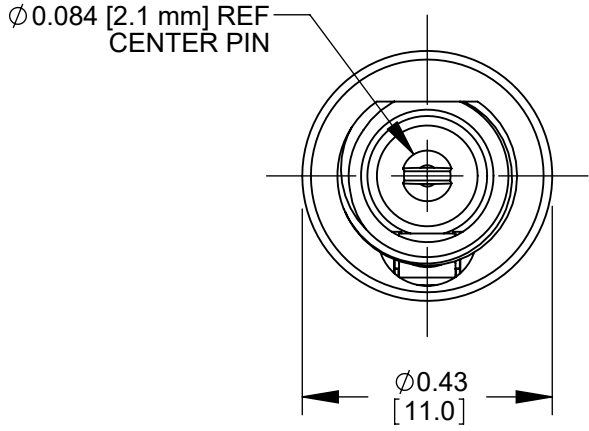
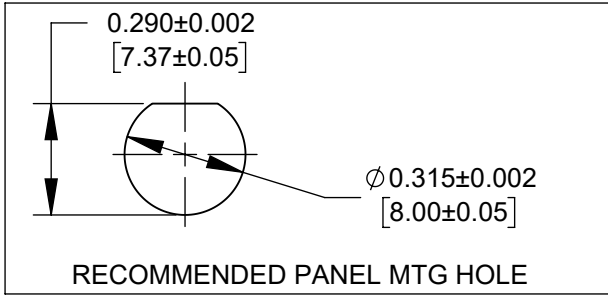
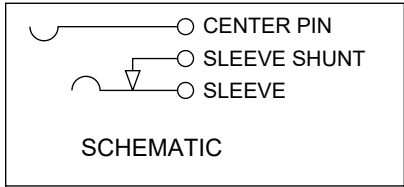
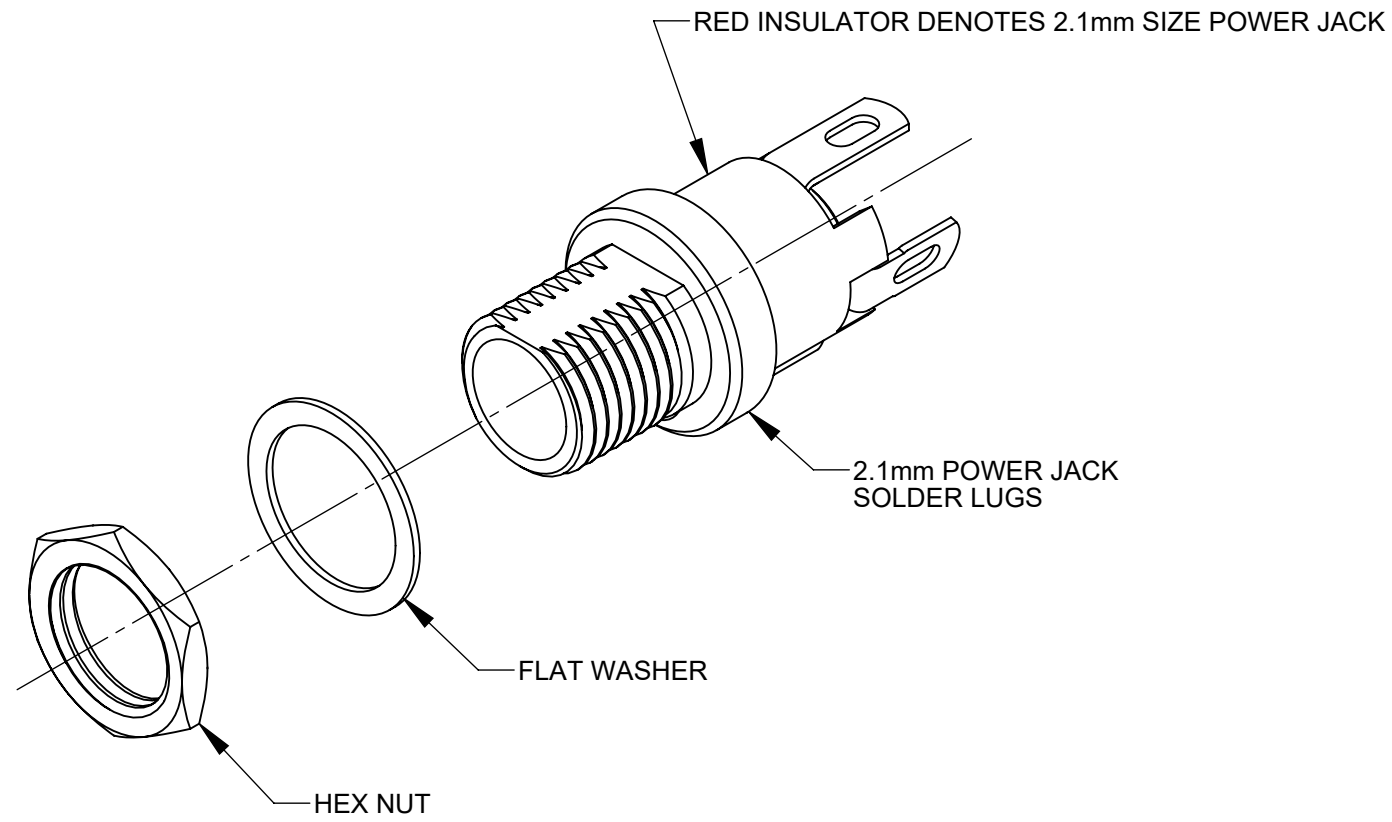


PART NUMBER	DESCRIPTION	SWITCHCRAFT MATING 2.1mm POWER PLUGS
L721A	2.1mm POWER JACK, SOLDER LUGS	767K, 768K



- NOTES:
- DIMENSIONS SHOWN FOR REFERENCE ONLY.
 - HEX NUT AND FLAT WASHER SUPPLIED UNASSEMBLED.
 - MATERIAL:
HOUSING, HEX NUT - COPPER ALLOY, NICKEL PLATED
INSULATOR HOUSING - THERMOPLASTIC, RED
TERMINAL INSULATORS - PHENOLIC
FLAT WASHER - STEEL, NICKEL PLATED
PIN, SPRING, TERMINALS - COPPER ALLOY, SILVER PLATED
 - IT IS RECOMMENDED THAT THE JACK MOUNTING NUT BE TIGHTENED SNUG BY HAND BEFORE APPLYING A FINAL TIGHTENING TORQUE OF 8-10 LB-IN USING HAND TOOLS ONLY. POWER DRIVER OR IMPACT DRIVERS ARE NOT RECOMMENDED.
 - THESE PRODUCTS ARE RoHS COMPLIANT

CUSTOMER DRAWING

					THIS DRAWING DESCRIBES A DESIGN CONSIDERED PROPRIETARY IN NATURE, DEVELOPED AND MANUFACTURED BY SWITCHCRAFT INC. AND IS RELEASED ON A CONFIDENTIAL BASIS FOR IDENTIFICATION PURPOSES ONLY.				
					SIZE	WIDTH	MULT	LBS/M	TEMPER
					FINISH SPEC No.			MATERIAL SPEC No.	
					FIRST USED ON		SCALE 3:1		
REV	ECO NUMBER	DATE	BY	APVD	DATE DRAWN	BY	CHKD	APVD	
B	28397	06/11/21	PC	TJK	02/06/17	PNK	PNK	SRC	
A	27987	01/08/18	PC	TJK			02/06/17	02/06/17	
REVISIONS					NAME 2.1mm POWER JACKS SOLDER LUGS, RoHS				
DO NOT SCALE DRAWING					PART No. L721A				
					SHEET 1 OF 1				
					REV B				