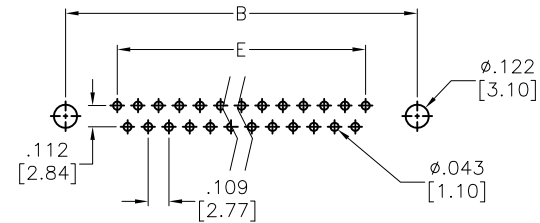
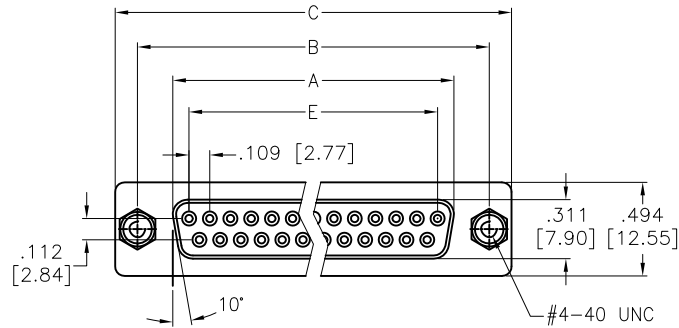
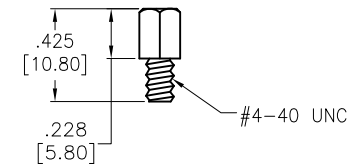
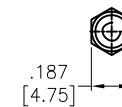
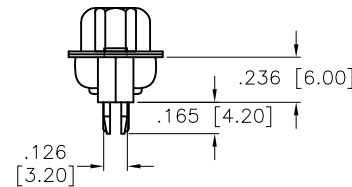
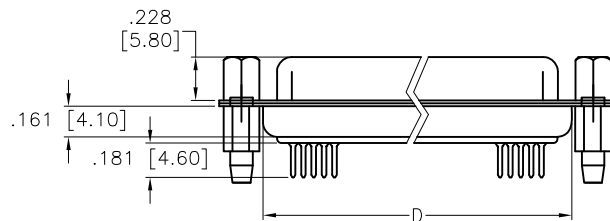


APPROVED: _____
 DATE: _____ TITLE: _____

Rev	AWO #	Description	Date	Appr
-		RELEASED	4/15/05	
A		CHART UPDATE	3/31/06	
B		REDRAWN	11/7/11	
C		UPDATED DRAWING	11/22/18	HR/TW



RECOMMENDED PCB LAYOUT



SPECIFICATIONS:

Material:
 Insulator: PBT, glass reinforced, rated UL 94V-0
 Insulator color: Black
 Contacts: Brass
 Shell: Steel, Tin plated
 Boardlock: Brass, Tin plated
 Screwlock: Steel, Nickel plated
 Plating:
 Gold flash over Nickel underplate on contact area
 Electrical:
 Voltage rating: 250 VAC/rms
 Current rating: 3 Amp
 Contact resistance: 20 mohms max.
 Insulation resistance: 1,000 Mohms min. @ 500 VDC
 Dielectric withstanding voltage: 1,000 VAC/rms for 1 minute
 Temperature Rating:
 -55°C to +85°C
 Environmental:
 Lead free, RoHS compliant



Positions	DIMENSIONS				
	A	B	C	D	E
DE09	.643 [16.33]	.984 [24.99]	1.213 [30.81]	.756 [19.20]	.436 [11.08]
DA15	.972 [24.70]	1.311 [33.30]	1.543 [39.20]	1.091 [27.70]	.763 [19.39]
DB25	1.512 [38.40]	1.852 [47.04]	2.089 [53.05]	1.618 [41.10]	1.309 [33.24]
DC37	2.157 [54.80]	2.500 [63.50]	2.732 [69.40]	2.256 [57.30]	1.963 [49.86]

UNLESS OTHERWISE SPECIFIED ALL DIMENSIONS ARE INCHES [MM] TOLERANCES: EXCEPT AS NOTED INCHES HOLES .X ± .10 Ø.X ± .10 .XX ± .020 Ø.XX ± .015 .XXX ± .015 Ø.XXX ± .010		ADAM TECH INTERCONNECTS 909 Rahway Avenue, Union, NJ 07083 Phone: 908-687-5000 Fax: 908-687-5710	
APPROVALS		DATE	
DRAWN	SS	4/15/05	
CHECKED			
APPROVED			
TITLE D-SUB SOCKET, RIVETED #4-40 JACKSCREWS			
SIZE X	PART NO. DXXX-ST-1-BL-JS	REV. C	
REF: S00087T	SCALE: NTS	SHEET 1 OF 1	