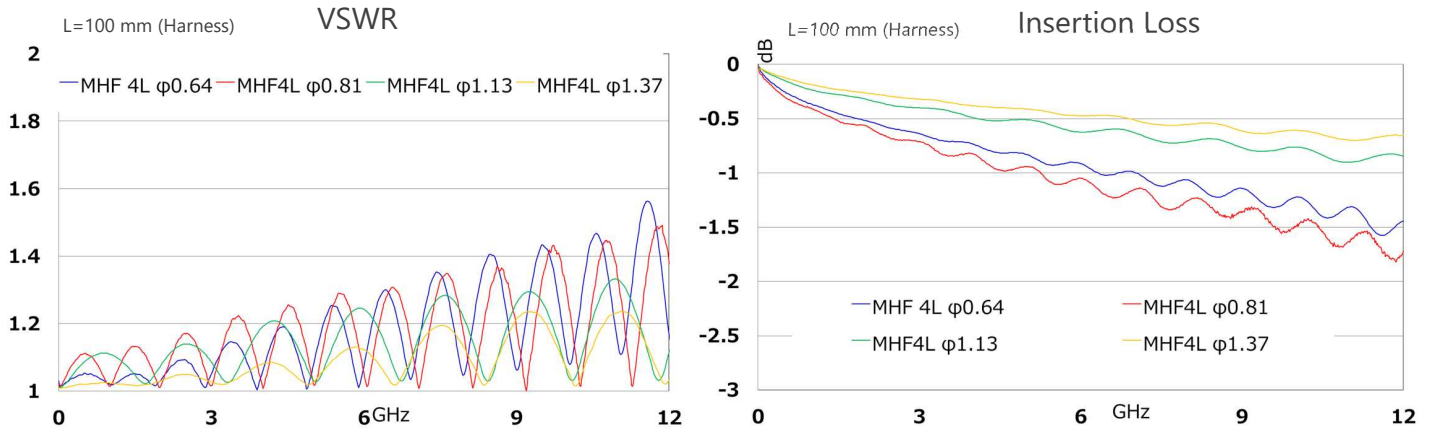




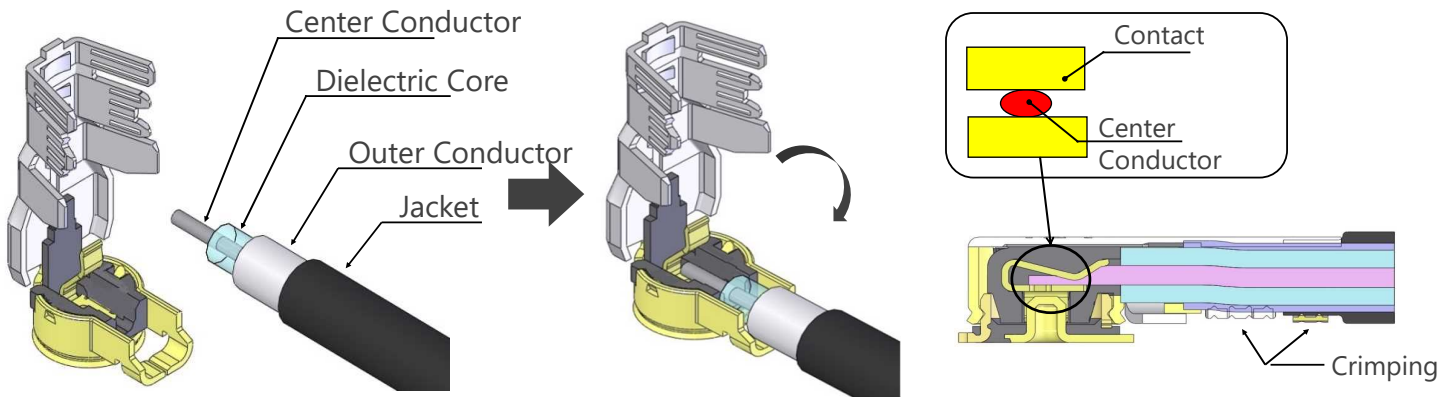
- ✓ Small form factor with big performance through 12 GHz
- ✓ Solderless micro-coax termination technology "i-Fit[®]" provides consistent performance
- ✓ MHF[®] 4L Plug available cable O.D. (AWG) : 0.81 mm (36), 0.64 mm (36).

| | | |
|--------------------------------------|--|-----------|
| Maximum height (mm) | 1.2 | |
| Outside dimension of receptacle (mm) | 2.0 x 2.0 | |
| Applicable wire gauge | O.D. 0.81 mm / AWG 36 O.D. 0.64 mm / AWG 36 | |
| Frequency | DC~12 GHz | |
| VSWR (L=100 mm) | DC~3 GHz | 1.3 max. |
| | 3 GHz~6 GHz | 1.45 max. |
| | 6 GHz~9 GHz | 1.6 max. |
| | 9 GHz~12 GHz | 1.9 max. |
| | 12 GHz~15 GHz | - |
| Service temp. (Celsius) | -40 degree ~ +90 degree | |
| Characteristic impedance | 50 ohm | |
| Rated voltage | AC60V | |
| Contact resistance | 20m ohm max. | |
| Withstand voltage | AC200V/min | |
| Insulation resistance | 500M ohm min./DC100V | |

Small form factor with big performance through 12 GHz



Solderless micro-coax termination technology "i-Fit[®]" provides consistent performance



MHF[®] 4L Plug available cable O.D. (AWG) : 0.81 mm (36), 0.64 mm (36).

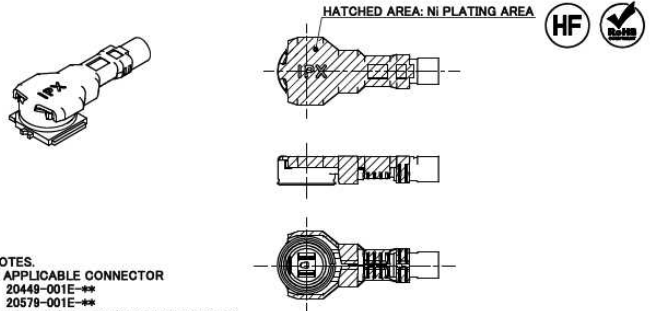
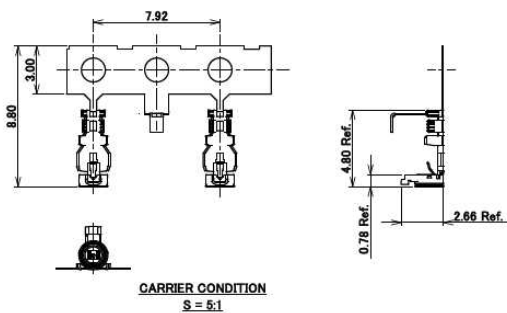
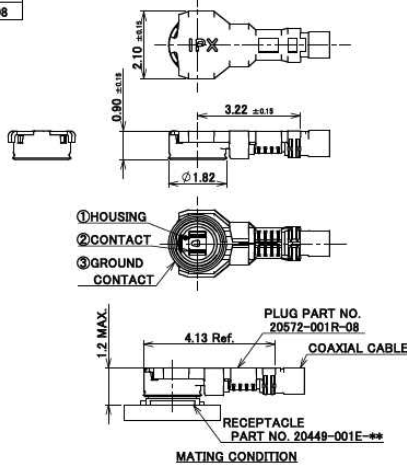
| Coax O.D. (Center Conductor AWG) | Mating Height | | |
|-------------------------------------|--------------------------------------|-------------|-------------|
| | 1.7 mm max. | 1.4 mm max. | 1.2 mm max. |
| 2.00 mm (26) | | | |
| 1.80 mm (30) | | | |
| 1.37 mm (30) | ○ | | |
| 1.32 mm (32) | | | |
| 1.13 mm (32) | | ○ | |
| 0.95 mm (33) | | ○ | |
| 0.81 mm (33) | | | |
| 0.81 mm (36) | | | ○ |
| 0.64 mm (36) | | | ○ |
| 0.48 mm (38) | | | |
| Receptacle | MHF 4 receptacle , MHF 4L receptacle | | |

MHF[®] 4L

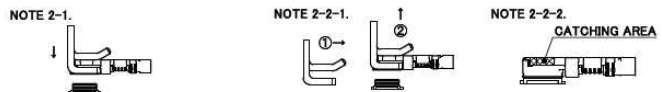
Component Parts Detail

MHF[®] 4L plug Ni top (0.81,0.64)

| | |
|-----------------|---------------|
| Recommended P/N | 20572-001R-08 |
| PART NO. | 20572-001R-08 |



- NOTES.
- APPLICABLE CONNECTOR
20449-001E-08
20579-001E-08
 - MATING AND UNMATING INSTRUCTION
2-1. MATING
MATE THE CONNECTOR VERTICALLY AS MUCH AS POSSIBLE, ADJUSTING THE MATING AXIS OF PLUG AND RECEPTACLE. DO NOT SLANT MATE.
2-2. UNMATING INSTRUCTION
2-2-1. IN CASE OF UNMATING BY PULLING TOOL (PART NO. 80609-0001)
USE THE PULLING TOOL AS THE FOLLOWING DRAWING, AND PULL PLUG TO VERTICAL DIRECTION AS DIRECTLY AS POSSIBLE.
2-2-2. IN CASE OF UNMATING DIRECTLY BY HAND
CATCH THE CATCHING AREA OF PLUG, AND PULL PLUG TO VERTICAL DIRECTION AS DIRECTLY AS POSSIBLE.



| NO. | DESCRIPTION | MATERIAL | FINISH, REMARKS |
|-----|----------------|-----------------|---|
| 3 | GROUND CONTACT | PHOSPHOR BRONZE | ALL OVER Ni 1.00 μm MIN. CONTACT PART Au 0.05 μm MIN. [Ni PLATING AREA] Ni ONLY |
| 2 | CONTACT | PHOSPHOR BRONZE | ALL OVER Ni 1.00 μm MIN. CONTACT PART Au 0.10 μm MIN. |
| 1 | HOUSING | PBT | UL94V-0, BLACK |

Confidential C

Rev.6

MHF® 4L plug Ni top (0.81,0.64)

| ITEMS | SPECIFICATION | |
|---------------------------------------|---|--------------------|
| | AWG#36 (0.81 O.D.) | AWG#36 (0.64 O.D.) |
| APPLICABLE CABLE | | |
| RECOMMENDED CONNECTOR PART No. | 20449-001E-*** | |
| RATING VOLTAGE | 60 V AC (R.M.S) | |
| RATING FREQUENCY | DC~12 GHz | |
| OPERATING TEMPERATURE | 233~363K (-40°C~+90°C) | |
| VSWR | 1.3 MAX. AT DC~3 GHz, 1.45 MAX. AT 3~6 GHz, 1.6 MAX. AT 6~9 GHz, 1.9 MAX. AT 9~12 GHz | |
| MAIN CONTACT RESISTANCE | INITIAL: 20 mohm MAX. / AFTER TEST: \angle R 20 mohm MAX. | |
| GROUND CONTACT RESISTANCE | INITIAL: 20 mohm MAX. / AFTER TEST: \angle R 20 mohm MAX. | |
| INSULATION RESISTANCE | INITIAL: 500 Mohm MIN. / AFTER TEST: 100 Mohm MIN. | |
| DIELECTRIC WITHSTANDING VOLTAGE | 200 V AC, 1 MINUTE | |
| DURABILITY | 30 CYCLES | |
| MATING FORCE (INITIAL / AFTER TEST) | INITIAL: 30 N MAX. / AFTER TEST: 30 N MAX. | |
| UNMATING FORCE (INITIAL / AFTER TEST) | INITIAL: 20 N MAX. 5 N MIN. / AFTER TEST: 20 N MAX. 3 N MIN. | |
| CRIMP STRENGTH | 8 N MIN. | |
| PRODUCT SPECIFICATION | PRS-1772 | PRS-1944 |
| TEST REPORT | TR-13011 | TR-14078 |
| PACKING STANDARD | PST-12066 | |
| INSTRUCTION MANUAL | HIM-12011 | |
| APPEARANCE CRITERIA No. | QLS-A*** | |

Rev.6

MHF® 4L plug Ni top (0.81,0.64)

| PART NO. | 20572-001R-08 | | |
|---|---|---------------------------------|---------------------------------|
| APPLICABLE CABLE STRIP DIMENSION | | | |
| | ※DO NOT USE SOLDER COATED EITHER INNER OR OUTER CONDUCTOR CABLES. | | |
| | NOTES 3.REQUIREMENTS CHARACTERISTIC IMPEDANCE: 50(±3)ohm BY TDR METHOD NOMINAL CAPACITANCE (REFERENCE VALUE): 96pF/m CONDUCTOR RESISTANCE OF INNER CONDUCTOR AT 293 (REFERENCE): OD 0.81 TYPE/OD 0.64 TYPE...1400ohm/km INSULATION RESISTANCE: OD 0.81 TYPE/OD 0.64 TYPE... 1000Mega-ohm.km MIN. DIELECTRIC WITH STANCE VOLTAGE: OD 0.81 TYPE...NO BREAKDOWN AT AC 1500V FOR 1 MINUTES. OD 0.64 TYPE...NO BREAKDOWN AT AC 500V FOR 1 MINUTES. | | |
| BRAIDED SHIELD OF OUTER CONDUCTOR | SINGLE BRAIDED SHIELD | SINGLE SPIRAL SHIELD | |
| PART NO. OF SEMI AUTO TERMINATION MACHINE | 90599-008 | 90599-006 | |
| CRIMP HEIGHT | | | |
| | CH-1 (i-Fit® PART) 0.83~0.87 | CH-2 (SHIELD PART) 0.76~0.80 | CH-3 (JACKET PART) 0.92~0.96 |
| | | | |
| | CH-1 (i-Fit® PART) 0.81~0.85 | CH-2 (SHIELD PART) 0.73~0.77 | CH-3 (JACKET PART) 0.71~0.75 |
| | ※USE FOR POINT MICROMETER. | | |

Rev.6

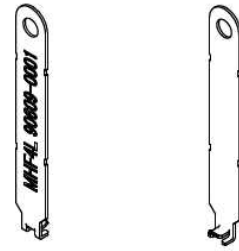
Accessories for MHF[®] 4L (0.81,0.64)



MHF 4 (4L) SMA ADAPTOR
PART NO. 90449-001



MHF 4 (4L) INSPECTION CONNECTOR
PART NO. 90449-003-01

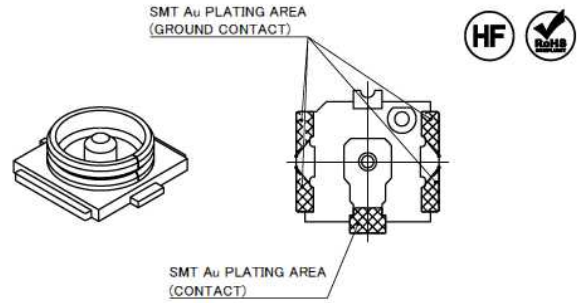
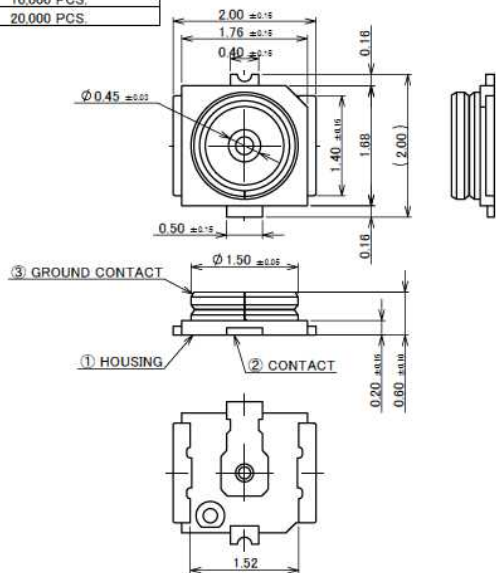


MHF 4L PUSHING AND PULLING TOOL
PART NO. 90609-0001

Rev.6

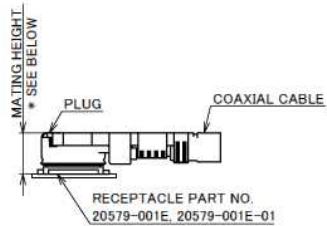
MHF[®] 4L Receptacle

| Recommended P/N | 20579-001E |
|-----------------|-------------------------|
| PART NO. | PACKING QUANTITY / REEL |
| 20579-001E | 10,000 PCS. |
| 20579-001E-01 | 20,000 PCS. |

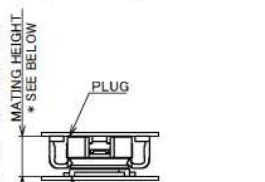


NOTES

- APPLICABLE CONNECTOR (CABLE SIZE)
 MHF 4 PLUG: 20611-001R (Φ0.81), 20448-00*R-081 (Φ0.81), 20448-001R-081E (Φ0.81)
 MHF 4L PLUG: 20572-001R-08 (Φ0.64, Φ0.81), 20565-001R-** (Φ0.83, Φ0.95, Φ1.13), 20632-001R-37 (Φ1.37)
 MHF 4 SMT PUG: 20462-001E
 2. COPLANARITY: 0.1 mm MAX.



* MATING HEIGHT
 1.2 MAX. WITH 20611-001R, 20572-001R-08, 20448-00*R-081, 20448-001R-081E
 1.4 MAX. WITH 20565-001R-**
 1.7 MAX. WITH 20632-001R-37
MATING CONDITION
 WITH MHF 4/MHF 4L PLUG
 (S = 10/1)



* MATING HEIGHT
 1.2 MAX. WITH 20462-001E
MATING CONDITION
 WITH MHF 4 SMT
 (S = 10/1)

| NO. | DESCRIPTION | MATERIAL | FINISH, REMARKS |
|-----|----------------|-----------------|---|
| 3 | GROUND CONTACT | PHOSPHOR BRONZE | ALL OVER Ni: 1.00 μm MIN. CONTACT PART: Au: 0.05 μm MIN., SOLDERING PART Au AREA: 0.03 μm MIN. |
| 2 | CONTACT | BRASS | ALL OVER Ni: 1.00 μm MIN. CONTACT PART: Au: 0.05 μm MIN. SOLDERING PART Au AREA: 0.03 μm MIN. |
| 1 | HOUSING | LCP | UL94V-0, BLACK |

Rev.8

MHF® 4L Receptacle

FOR MHF 4L PLUG

| ITEMS | SPECIFICATION | |
|---------------------------------------|--|--------------------------------------|
| | 20572-001R-08 (CABLE Φ0.81 TYPE) | 20565-001E-13 (CABLE Φ 1.13 TYPE) |
| APPLICABLE CONNECTOR PART No. | | |
| RATING VOLTAGE | 60 V AC (R.M.S)/DC | |
| RATING FREQUENCY | DC ~ 6GHz | |
| OPERATING TEMPERATURE | 233~363 K(-40°C~+90°C) | |
| VSWR | 1.3 MAX. AT DC~3GHz, 1.4 MAX. AT 3~6GHz, 1.85 MAX. AT 3~12GHz | |
| MAIN CONTACT RESISTANCE | INITIAL : 20 mohm MAX. / AFTER TEST : ΔR 20 mohm MAX. | |
| GROUND CONTACT RESISTANCE | INITIAL : 20 mohm MAX. / AFTER TEST : ΔR 20 mohm MAX. | |
| INSULATION RESISTANCE | INITIAL : 500 Mohm MIN. / AFTER TEST : 100 Mohm MIN. | |
| DIELECTRIC WITHSTANDING VOLTAGE | 200 V AC 1 MINUTE | |
| DURABILITY | 30 CYCLES | |
| MATING FORCE (INITIAL / AFTER TEST) | INITIAL : 30 N MAX. / AFTER TEST : 30 N MAX. | |
| UNMATING FORCE (INITIAL / AFTER TEST) | INITIAL : 20 N MAX. 5 N MIN. / AFTER TEST : 20 N MAX. 3 N MIN. | |
| PRODUCT SPECIFICATION | PRS-1907 | |
| TEST REPORT | TR-14097 | |
| PACKING STANDARD | 20579-001E: PST-14004 20579-001E-01: PST-14067 | |
| INSTRUCTION MANUAL | HIM-12011 | HIM-12012 |

Rev.8

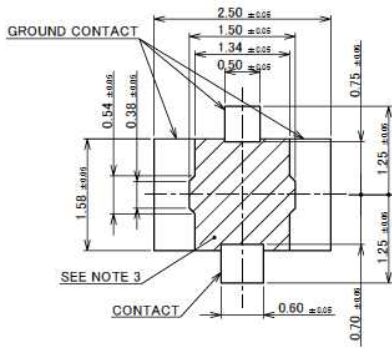
MHF® 4L Receptacle

FOR MHF 4 SMT PLUG

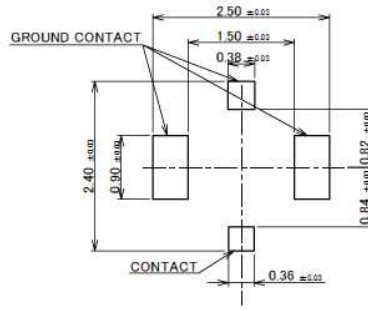
| ITEMS | SPECIFICATION | |
|---------------------------------------|---|--|
| | 20462-001E (MHF 4 SMT PLUG) | |
| APPLICABLE CONNECTOR PART No. | | |
| RATING VOLTAGE | 60 V AC (R.M.S)/DC | |
| RATING FREQUENCY | DC~6GHz | |
| OPERATING TEMPERATURE | 233~363 K(-40°C~+90°C) | |
| VSWR | 1.3 MAX. AT DC~3GHz, 1.4 MAX. AT 3~6GHz, 1.85 MAX. AT 3~12GHz | |
| MAIN CONTACT RESISTANCE | INITIAL : 20 mohm MAX. / AFTER TEST : ΔR 20 mohm MAX. | |
| GROUND CONTACT RESISTANCE | INITIAL : 20 mohm MAX. / AFTER TEST : ΔR 20 mohm MAX. | |
| INSULATION RESISTANCE | INITIAL : 500 Mohm MIN. AFTER TEST : 100 Mohm MIN. | |
| DIELECTRIC WITHSTANDING VOLTAGE | 200 V AC 1 MINUTE | |
| DURABILITY | 30 CYCLES | |
| MATING FORCE (INITIAL / AFTER TEST) | INITIAL : 30 N MAX. / AFTER TEST : 15 N MAX. | |
| UNMATING FORCE (INITIAL / AFTER TEST) | INITIAL : 4 N MIN. / AFTER TEST : 2 N MIN. | |
| PRODUCT SPECIFICATION | PRS-1404 | |
| TEST REPORT | TR-08022 | |
| PACKING STANDARD | 20579-001E: PST-14004 20579-001E-01: PST-14067 | |

Rev.8

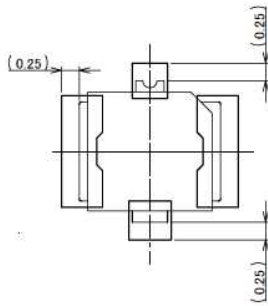
MHF® 4L Receptacle



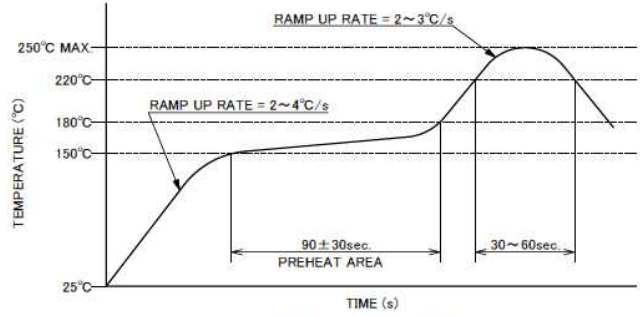
RECOMMENDED FOOTPRINT PATTERN



MASK THICKNESS: 0.12 mm
RECOMMENDED METAL MASK LAYOUT



CONNECTOR ON RECOMMENDED FOOTPRINT PATTERN



REFLOW TEMPERATURE PROFILE
SENJU METAL INDUSTRY CO., LTD. M705-SHF(Sn96.5 Ag3.0 Cu0.5)

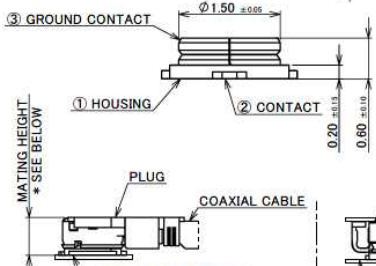
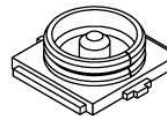
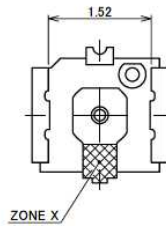
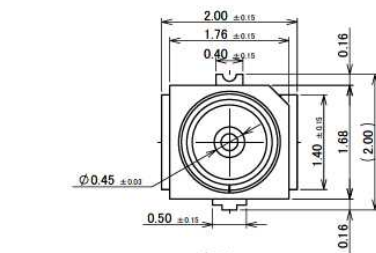
NOTE 3. CUT OUT PROHIBITION AREA.

Rev.8

MHF® 4 Receptacle

Recommended P/N 20449-001E-03

| PART NO. | PACKING QUANTITY / REEL | CONTACT PLATING | | | GROUND CONTACT PLATING | | |
|---------------|-------------------------|--|--|-----------------|--|--|-----------------|
| | | CONTACT PART | SOLDERING PART | ALL OVER | CONTACT PART | SOLDERING PART | ALL OVER |
| 20449-001E | 10,000 PCS. | TOP: Au 0.05 μm MIN. ZONE X: Au 0.03 μm MIN. | TOP: Au 0.01 μm MIN. | Ni 1.00 μm MIN. | TOP: Au 0.03 μm MIN. | TOP: Au 0.01 μm MIN. | Ni 1.00 μm MIN. |
| 20449-001E-01 | | TOP: Au 0.05 μm MIN. | | | | | |
| 20449-001E-03 | | TOP: Au 0.01 μm MIN. MIDDLE: Pd-Ni 0.02 μm MIN. | TOP: Au 0.01 μm MIN. MIDDLE: Pd-Ni 0.02 μm MIN. | | TOP: Au 0.01 μm MIN. MIDDLE: Pd-Ni 0.02 μm MIN. | TOP: Au 0.01 μm MIN. MIDDLE: Pd-Ni 0.02 μm MIN. | |



NOTES.

- APPLICABLE CONNECTOR (CABLE SIZE)
MHF 4 PLUG: 20611-001R (Φ0.81), 20448-00*R-081 (Φ0.81), 20448-001R-081E (Φ0.81)
MHF 4L PLUG: 20572-001R-08 (Φ0.84, Φ0.81), 20565-001R-** (Φ0.83, Φ0.95, Φ1.13), 20632-001R-37 (Φ1.37)
- MHF 4 SMT PLUG: 20462-001E
- COPLANARITY: 0.1 mm MAX.
- THIS IS "Pb-FREE" CONNECTOR.
- CHARACTERISTIC IMPEDANCE: 50 Ω (NOMINAL VALUE)

| NO. | DESCRIPTION | MATERIAL | FINISH, REMARKS |
|-----|----------------|-----------------|-----------------|
| 3 | GROUND CONTACT | PHOSPHOR BRONZE | SEE TABLE |
| 2 | CONTACT | BRASS | SEE TABLE |
| 1 | HOUSING | LCP | UL94V-0, BLACK |

* MATING HEIGHT
1.2 MAX. WITH 20611-001R, 20572-001R-08, 20448-00*R-081, 20448-001R-081E
1.4 MAX. WITH 20565-001R-**
1.7 MAX. WITH 20632-001R-37

MATING CONDITION
WITH MHF 4/MHF 4L PLUG
(S = 10/1)

* MATING HEIGHT
1.2 MAX. WITH 20462-001E

MATING CONDITION
WITH MHF 4 SMT
(S = 10/1)

Confidential C

Rev.15

MHF[®] 4 Receptacle

FOR MHF 4 PLUG

| ITEMS | SPECIFICATION | |
|---------------------------------------|--|---|
| | 20611-001R (CABLE Φ 0.81 TYPE) | 20448-001R (CABLE Φ 0.81 TYPE) |
| APPLICABLE CONNECTOR PART No. | | |
| RATING VOLTAGE | 60 V AC (R.M.S)/DC | |
| RATING FREQUENCY | DC~9GHz | |
| OPERATING TEMPERATURE | 233~363 K (-40°C~+90°C) | |
| CHARACTERISTIC IMPEDANCE | 50 ohm (NOMINAL VALUE) | |
| VSWR | 1.3 MAX. AT DC~3GHz, 1.4 MAX. AT 3~6GHz, 1.5 MAX. AT 6~9GHz | |
| MAIN CONTACT RESISTANCE | INITIAL : 20 mohm MAX. / AFTER TEST : Δ R 20 mohm MAX. | |
| GROUND CONTACT RESISTANCE | INITIAL : 20 mohm MAX. / AFTER TEST : Δ R 100 mohm MAX. | INITIAL : 20 mohm MAX. / AFTER TEST : Δ R 20 mohm MAX. |
| INSULATION RESISTANCE | INITIAL : 500 Mohm MIN. / AFTER TEST : 100 Mohm MIN. | |
| DIELECTRIC WITHSTANDING VOLTAGE | 200 V AC 1 MINUTE | |
| DURABILITY | 30 CYCLES | |
| MATING FORCE (INITIAL / AFTER TEST) | - | |
| UNMATING FORCE (INITIAL / AFTER TEST) | INITIAL : 4 N MIN. / AFTER TEST : 2 N MIN. | |
| PRODUCT SPECIFICATION | PRS-2530 | PRS-1745 |
| TEST REPORT | TR-18086 | TR-12118 |
| PACKING STANDARD | 20449-001E-03: 300-604 | |
| INSTRUCTION MANUAL | HIM-10003 | |
| APPEARANCE CRITERIA No. | QLS-A*** | |

Rev.15

MHF[®] 4 Receptacle

FOR MHF 4L PLUG

| ITEMS | SPECIFICATION | | | |
|---------------------------------------|--|--|---|---|
| | 20572-001R-08 (CABLE Φ 0.64 TYPE) (CABLE Φ 0.81 TYPE) | 20565-001E-13 (CABLE Φ 0.95 TYPE) (CABLE Φ 1.13 TYPE) | 20565-001R-83 (CABLE Φ 0.83 TYPE) | 20632-001R-37 (CABLE Φ 1.37 TYPE) |
| APPLICABLE CONNECTOR PART No. | | | | |
| RATING VOLTAGE | 60 V AC (R.M.S)/DC | | | |
| RATING FREQUENCY | DC ~ 9GHz | | | |
| OPERATING TEMPERATURE | 233~363 K (-40°C~+90°C) | | | |
| CHARACTERISTIC IMPEDANCE | 50 ohm (NOMINAL VALUE) | | | |
| VSWR | 1.3 MAX. AT DC~3GHz, 1.4 MAX. AT 3~6GHz, 1.5 MAX. AT 6~9GHz | | | |
| MAIN CONTACT RESISTANCE | INITIAL : 20 mohm MAX. / AFTER TEST : Δ R 20 mohm MAX. | | | |
| GROUND CONTACT RESISTANCE | INITIAL : 20 mohm MAX. / AFTER TEST : Δ R 20 mohm MAX. | | | |
| INSULATION RESISTANCE | INITIAL : 500 Mohm MIN. / AFTER TEST : 100 Mohm MIN. | | | |
| DIELECTRIC WITHSTANDING VOLTAGE | 200 V AC 1 MINUTE | | | |
| DURABILITY | 30 CYCLES | | | |
| MATING FORCE (INITIAL / AFTER TEST) | INITIAL : 30 N MAX. / AFTER TEST : 30 N MAX. | | | |
| UNMATING FORCE (INITIAL / AFTER TEST) | INITIAL : 20 N MAX. 5 N MIN. / AFTER TEST : 20 N MAX. 3 N MIN. | | | |
| PRODUCT SPECIFICATION | PRS-1944 (CABLE Φ 0.64 TYPE) PRS-1772 (CABLE Φ 0.81 TYPE) | PRS-2051 (CABLE Φ 0.95 TYPE) PRS-1772 (CABLE Φ 1.13 TYPE) | PRS-2062 (CABLE Φ 0.83 TYPE) | PRS-2008 (CABLE Φ 1.37 TYPE) |
| TEST REPORT | TR-14078 (CABLE Φ 0.64 TYPE) TR-13011 (CABLE Φ 0.81 TYPE) | TR-14142 (CABLE Φ 0.95 TYPE) TR-13011 (CABLE Φ 1.13 TYPE) | TR-15011 (CABLE Φ 0.83 TYPE) | TR-14100 (CABLE Φ 1.37 TYPE) |
| PACKING STANDARD | 20449-001E-03: 300-604 | | | |
| INSTRUCTION MANUAL | HIM-12011 | HIM-12012 | | HIM-16011 |
| APPEARANCE CRITERIA No. | QLS-A*** | | | |

Rev.15

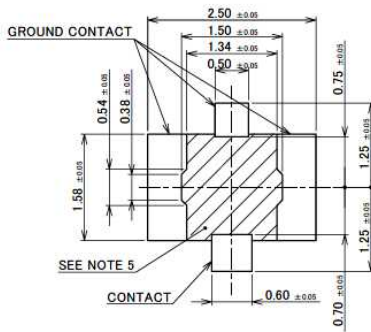
MHF[®] 4 Receptacle

FOR MHF 4 SMT PLUG

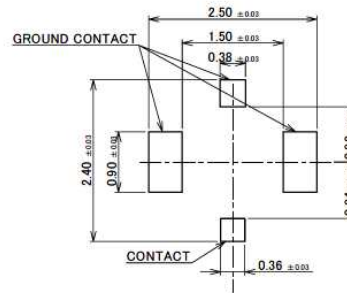
| ITEMS | SPECIFICATION |
|---------------------------------------|---|
| APPLICABLE CONNECTOR PART No. | 20462-001E (MHF 4 SMT PLUG) |
| RATING VOLTAGE | 60 V AC (R.M.S)/DC |
| RATING FREQUENCY | DC~9GHz |
| OPERATING TEMPERATURE | 233~363 K(-40°C~+90°C) |
| CHARACTERISTIC IMPEDANCE | 50 ohm (NOMINAL VALUE) |
| VSWR | 1.3 MAX. AT DC~3GHz, 1.4 MAX. AT 3~6GHz, 1.5 MAX. AT 6~9GHz |
| MAIN CONTACT RESISTANCE | INITIAL : 20 mohm MAX. / AFTER TEST : Δ R 20 mohm MAX. |
| GROUND CONTACT RESISTANCE | INITIAL : 20 mohm MAX. / AFTER TEST : Δ R 20 mohm MAX. |
| INSULATION RESISTANCE | INITIAL : 500 Mohm MIN. / AFTER TEST : 100 Mohm MIN. |
| DIELECTRIC WITHSTANDING VOLTAGE | 200 V AC 1 MINUTE |
| DURABILITY | 30 CYCLES |
| MATING FORCE (INITIAL / AFTER TEST) | INITIAL : 30 N MAX. / AFTER TEST : 15 N MAX. |
| UNMATING FORCE (INITIAL / AFTER TEST) | INITIAL : 4 N MIN. / AFTER TEST : 2 N MIN. |
| PRODUCT SPECIFICATION | PRS-1404 |
| TEST REPORT | TR-08022 |
| PACKING STANDARD | 20449-001E-03: 300-604 |
| INSTRUCTION MANUAL | HIM-15005 |
| APPEARANCE CRITERIA No. | QLS-A*** |

Rev.15

MHF[®] 4 Receptacle

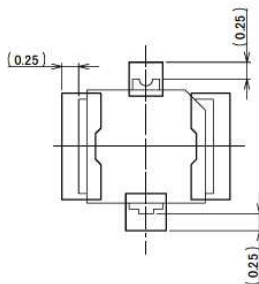


RECOMMENDED FOOTPRINT PATTERN

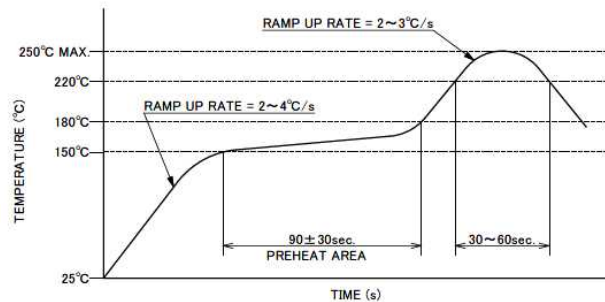


MASK THICKNESS: 0.12 mm

RECOMMENDED METAL MASK LAYOUT



CONNECTOR ON RECOMMENDED FOOTPRINT PATTERN



NOTE 5. CUT OUT PROHIBITION AREA.

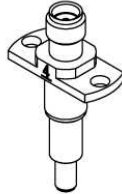
Confidential C

Rev.15

Accessories for MHF® 4L Receptacle



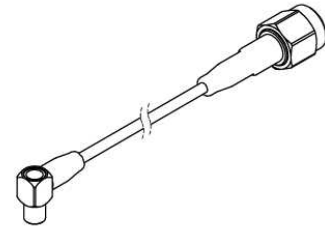
MHF 4 (4L) SMA ADAPTOR
PART NO. 90449-002



MHF 4 SMA ADAPTOR HIGH CYCLE TYPE
PART NO. 90688-0001



MHF 4 RECEPTACLE NARROW PITCH
SMA ADAPTOR HIGH CYCLE TYPE
PART NO. 90576-0001



4.5MM HIGH CYCLE TEST PROBE CABLE ASS'Y
PART NO. 90577-****

* 90576-0001 AND 90577-**** SHOULD BE USED TOGETHER.

Rev.15



Copyright © I-PEX Inc. 2020. All rights reserved.

I-PEX, MHF, CABLINE, NOVASTACK, EVAFLEX, MINIFLEX, ISH, IARPB, IASLP, ESTORQ, i-Fit and ISFIT are registered trademarks of I-PEX Inc. Please note that the contents in the catalog might be changed without prior notification. I-PEX Inc. assumes no responsibility for any inaccuracies or obligation to update Information on these documents. Please be sure to read and understand the latest "Precautions for Use" and "Instruction Manual" before you use our products. We shall not be responsible for any defects, damages or troubles in case you use our products without following the precautions for use. Please feel free to contact our sales representatives when you use our products for any applications that require very high reliability and safety, or that relate to human life (ex. nuclear power control, aerospace, transportation, medical equipment, safety equipment etc.).

Contact your sales representative for more detailed information. [i-pex.com]

202101R0