



ANATECH ELECTRONICS INC
RF & Microwave Filters & Products

80 MHz LC Bandpass Filter

Part Number: AE80B5332



Electrical Specifications

Center Frequency: 80 MHz

3dB Bandwidth: >4 MHz

Insertion Loss: <6.0dB

Impedance: 50 Ohms

Mechanical

Mounting Method: Threaded Mounting Holes

Connector Type: SMA(F)

Dimensions: 2.380" x 1.0" x 1.0" in.

Environmental

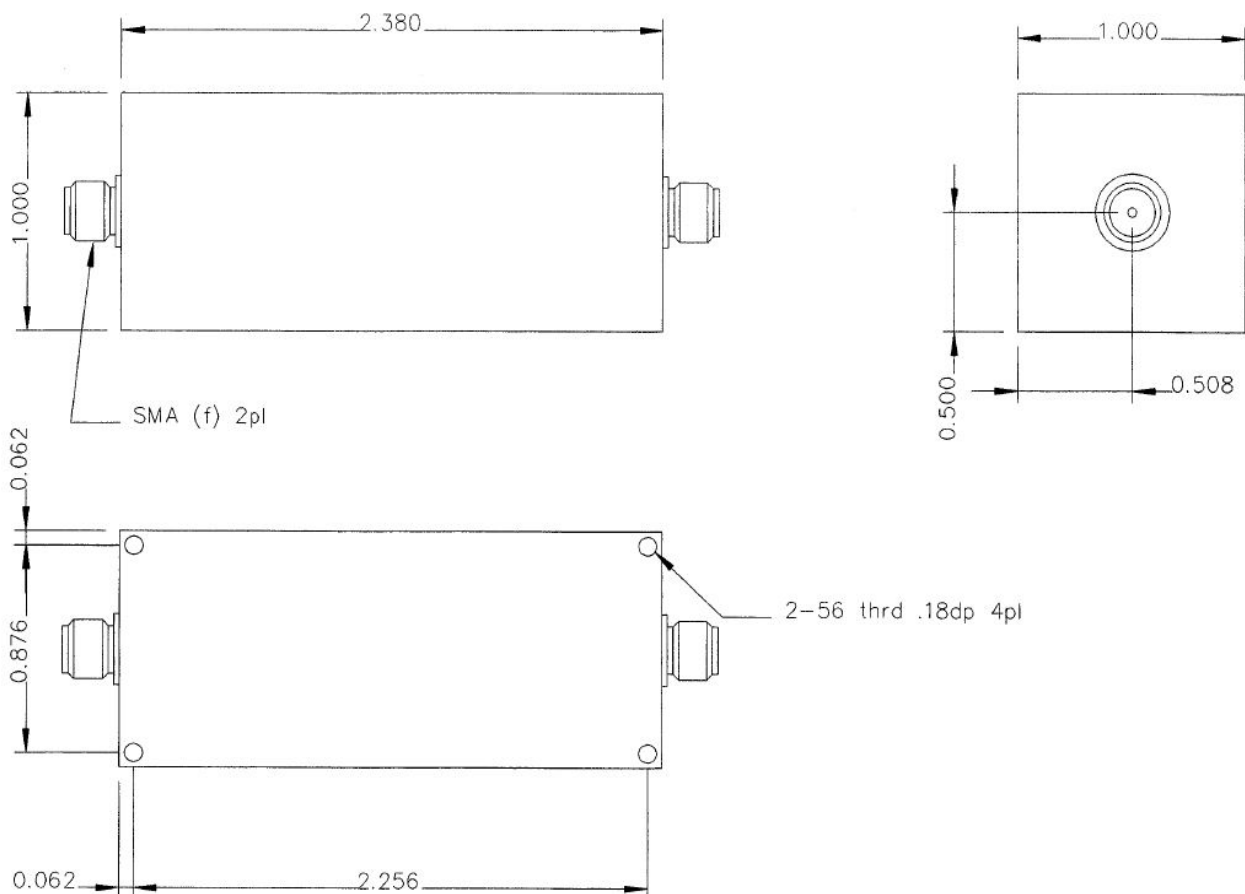
Operating Temperature: -25°C to +70°C

Storage Temperature: -40°C to +90°C

Shock: 10 G. 11ms

Vibration: 10 G. 5 to 200Hz

Outline Drawing:





ANATECH ELECTRONICS INC
RF & Microwave Filters & Products

80 MHz LC Bandpass Filter

Part Number: AE80B5332

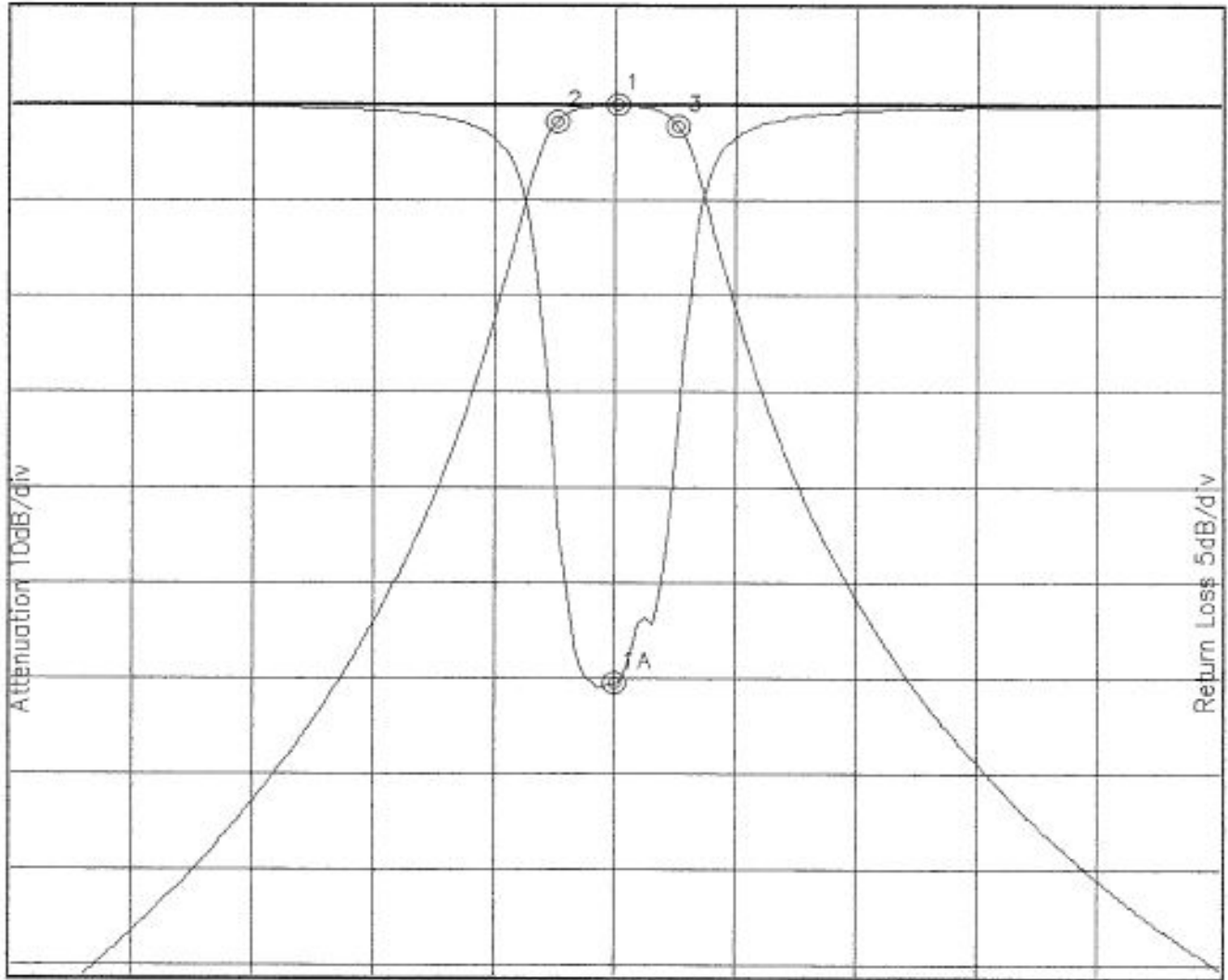


Response Plot:

B5332.lod

OCT 5, 1999

Attenuation/Return Loss



Attenuation Start: 60.0MHz Stop: 100.0MHz

Return Loss Start: 60.0MHz Stop: 100.0MHz

Offset -5dB

Marker 1 Freq 80.032MHz Atten 0.065dB

Marker 1A Freq 79.968MHz Ret Loss -30.125dB

Marker 2 Freq 78.029MHz Atten -1.703dB

Marker 3 Freq 82.036MHz Atten -2.237dB