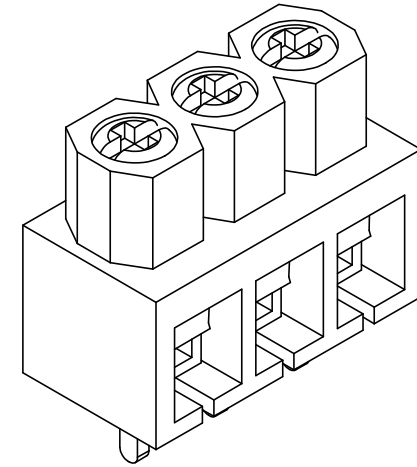
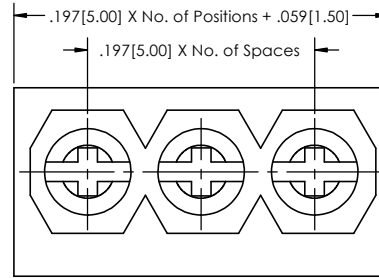
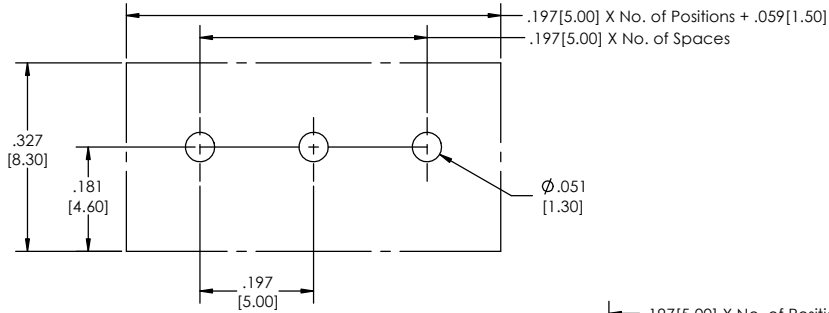


Recommended P.C. Board Layout
SCALE 6:1

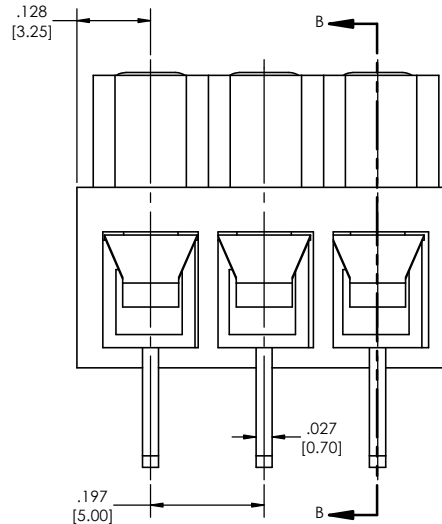
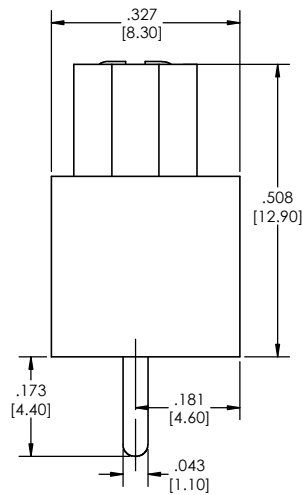


TBW - 06 - **197** - **XX** - **XX** - **LF**
(A) (B) (C) (D)

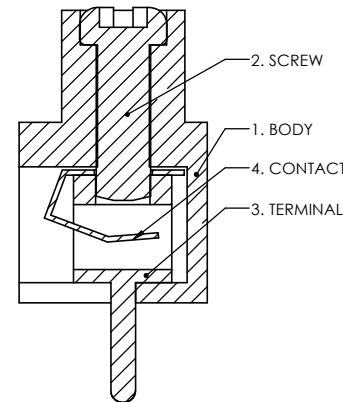
- A. Pitch**
- 197= .197(5.00) cl
- B. No. of Positions**
- 02-24
- C. Color**
- GR= Green (Standard)
- BK= Black
- BL= Blue
- WH= White
- GY= Grey
- OR= Orange
- YW= Yellow
- RD= Red
- BR= Brown
- D. Lead Free**
- Specifications:**
Current Rating: 10 Ampere
Voltage Rating: AC 250V
Wire Range: 12-18 AWG
Insulation Resistance: DC 500V 500M ohms
Dielectric Withstanding Voltage: AC 2500V/1 minute
Operation Temperature: -33°C to +105°C
Max Torque: 3.47 lb-in (4.0kgf. cm)
Strip Length: .177-.197 (4.5-5mm)

- Materials:**
1. Body: PA66 (Nylon), UL94 V-0
 2. Screw: M3.0*0.5, C1018 Steel, Zinc Plated
 3. Terminal: H62 Brass, Tin Plated
 4. Contact: SUS301 Stainless Steel

Tails may be clipped to achieve specific dimensions.
Products cut to specific sizes are uncancellable/ nonreturnable.
Parts are subject to change without notice.



SECTION B-B



PROPRIETARY AND CONFIDENTIAL
THE INFORMATION CONTAINED IN THIS DRAWING IS THE SOLE PROPERTY OF Major League Electronics. ANY REPRODUCTION IN PART OR AS A WHOLE WITHOUT THE WRITTEN PERMISSION OF Major League Electronics IS PROHIBITED.

UNLESS OTHERWISE SPECIFIED:		NAME	DATE
DIMENSIONS ARE IN INCHES		EOW	04/16/14
TOLERANCES:		GWE	04/16/14
ONE DECIMALS ±.100		ENG APPR.	
TWO DECIMAL ±.010		MFG APPR.	
THREE DECIMAL ±.005		ADDRESS:	
FOUR DECIMAL ±.002		2533 Centennial Blvd.	
MATERIAL		Jeffersonville, IN 47130	
FINISH		Phone: 812-670-4174	
NEXT ASSY USED ON		Fax: 812-670-4175	
APPLICATION		E-Mail: mle@mlelectronics.com	
DO NOT SCALE DRAWING		TITLE: TBW-06-197 Series	
		SIZE	DWG. NO.
		C	
		SCALE 6:1	SHEET 1 OF 1



REV **A**