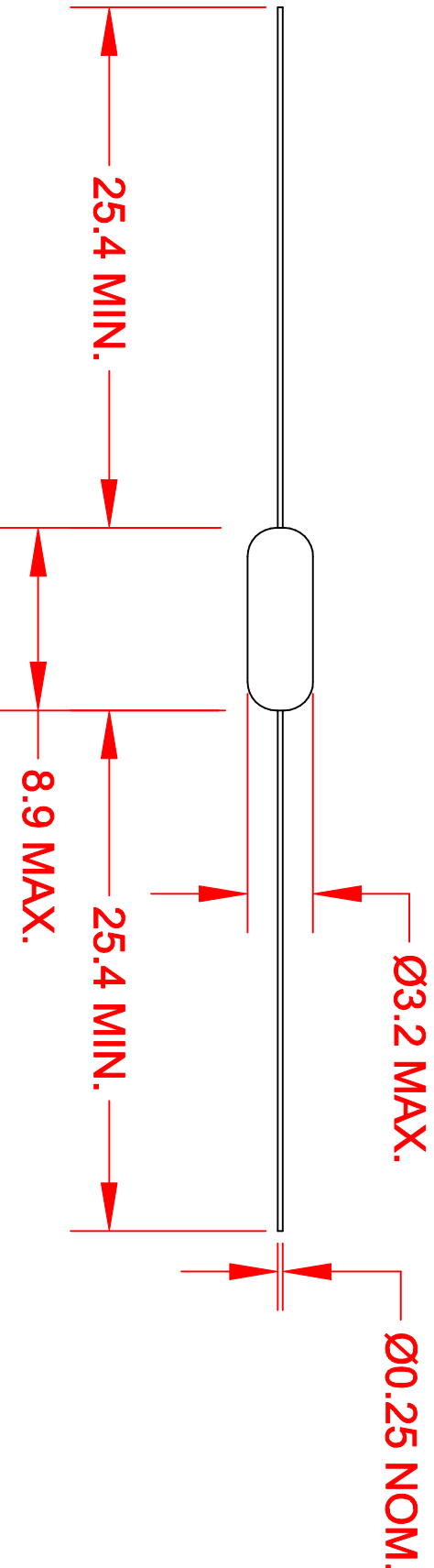


REV.	DESCRIPTION/ECO NO.	DATE
	RELEASED	10/11/00



JKL LAMP NUMBER	VOLTS RATED	AMPS ±10%	MSCP ±25%	LUMENS ±25%	AVERAGE LIFE HRS.	FILAMENT TYPE
6834	5.0	.060	.050	0.63	100,000	C-8
7134	5.0	.075	.090	1.13	25,000	C-8
7154	5.0	.115	.150	1.89	40,000	C-8

METRIC THIRD ANGLE PROJECTION		DIMENSIONS ARE IN MILLIMETERS TOLERANCE UNLESS OTHERWISE SPECIFIED 1 PL +/- 0.2 2 PL +/- 0.20 ANGLE +/- 0		JKL COMPONENTS CORPORATION	
DRAWN BY L. WENGSTROM	APPROV'D BY Q.C.	DATE 10/11/00	TITLE T-1 STANDARD AXIAL LEAD LAMP	SIZE A	FIRM NO. 55335
- CAD DRAWING - MANUAL REVISIONS NOT PERMITTED			RELEASED DATE 10/11/00	REVISION DATE	REV. NO. 1
					SHEET 1 OF 1