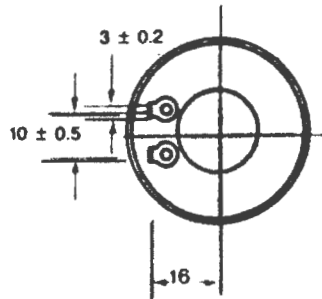


# PIEZO ELECTRIC ALARMS with internal Circuit BRP4222T-24-C Series

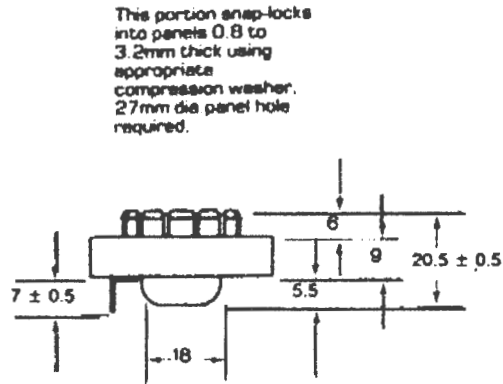
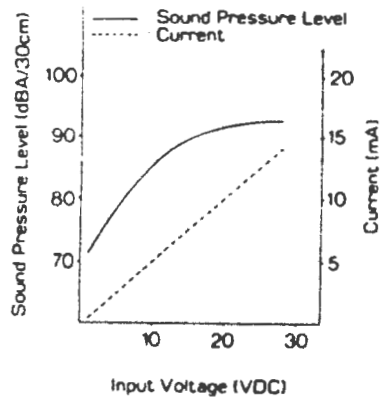


TOP VIEW

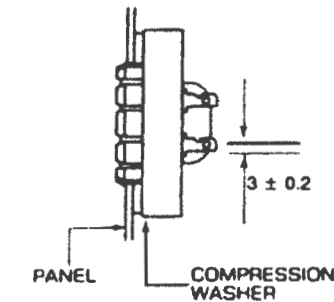


BOTTOM VIEW

All dimensions are in mm.



SIDE VIEW



TYPICAL PANEL  
INSTALLATION

This portion snap-locks into panels 0.8 to 3.2mm thick using appropriate compression washer. 27mm dia panel hole required.

## Specifications

Model No.	BRP4222T-24-C
Operating Voltage (VDC)	1 - 28
Rated Voltage (VDC)	24
Max. Current @ Rated Voltage (mA)	15
Frequency (KHz)	2.9 ± 0.5
Min. Sound Pressure @ Rated Voltage (dBA/30cm)	85
Pulse Rate at Rated Voltage (Pulse/Sec)	Nil
Tone	Single
Terminal	Plate

**MOUNTING** — Panel hole  $27 \pm 0.1$  mm diameter should be punched from the back side so that locking fingers enter on the slightly rounded edge of the hole. Assemble proper compression washer and press into panel hole until locking fingers snap over hole edge. Installation pressure should be applied only at the circumference of the device.

INTERVOX  
**International** ©

INTERNATIONAL COMPONENTS CORPORATION  
215 MCCORMICK DRIVE, BOHEMIA, NY 11716  
FAX: 631-952-9595 FAX: 631-952-9597

Title

PIEZO ELECTRIC ALARM

Intervox Model #  
BRP4222T-24-C

Rev  
A

Scale mm

Date

Sheet 1 of 1